

This catalog covers:

'10 KX85 AAF/BAF

GRID NO.

A-1

This grid covers:

Title



# PARTS CATALOG

'10 KX85 AAF/BAF

(KX85/KX85-II)

Publications .....	A-2
Model Identification .....	A-4
Engine .....	B-1
Chassis.....	D-1

© Kawasaki Heavy Industries, Ltd. 2009

Engine No. Location:  
RH crankcase, below carburetor

Year & Model

'10 KX85AAF

'10 KX85BAF

Color

1. Lime Green (777)

1. Lime Green (777)

VIN No. Range

JKBKX085AAA049001 ~

JKBKX085BBA028001 ~

JKBKXFAC-AA049001 ~ (Australia only)

JKBKXFBC-AA028001 ~ (Australia only)

Engine No. Range

KX085AE000001 ~

KX085AE000001 ~

This catalog covers:

**'10 KX85 AAF/BAF**

GRID NO.

**A-2**

This grid covers:

**Publications**

Year & Model	Owner's Manual	A&P Manual		Service Manual		Microfiche
		General	Supplement	Basic	Supplement	
<b>2010 KX85AAF</b>	99976-1517(EN/FR/DE) 99976-1518(IT/ES/NL) 99986-1529(Australia only)	99939-1318-01		99924-1265-10		99912-1613-01
<b>2010 KX85BAF</b>	See above	See above		See above		See above



*This catalog covers:*

**'10 KX85 AAF/BAF**

*GRID NO.*

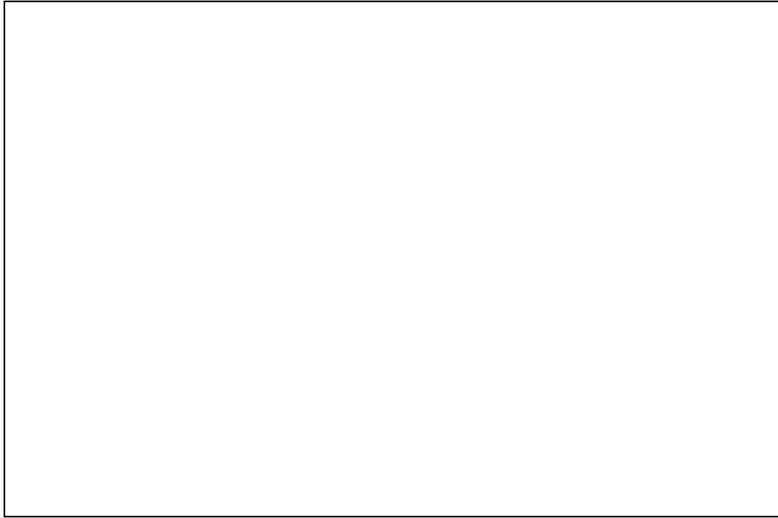
**A-4**

*This grid covers:*

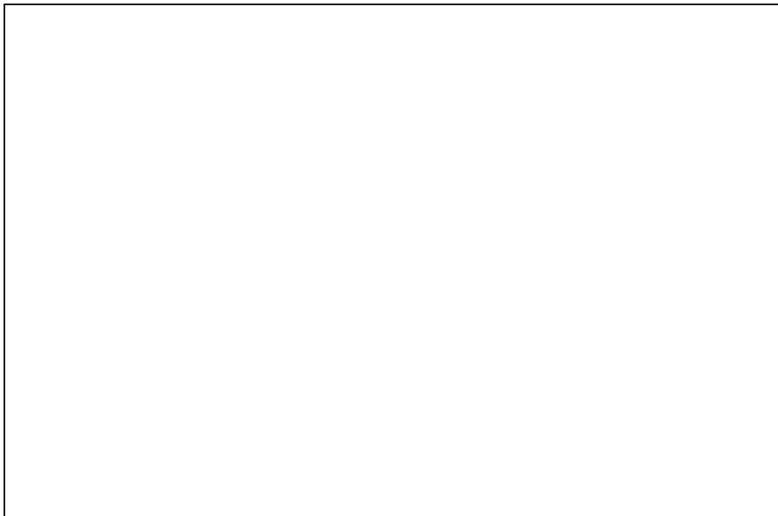
**Model I.D. '10 KX85 AAF/BAF**

# KX85AAF

Left Side View

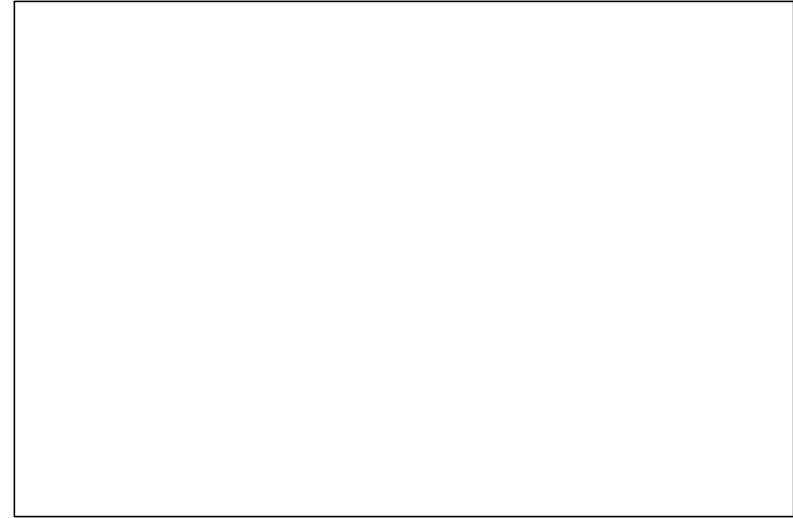


Right Side View

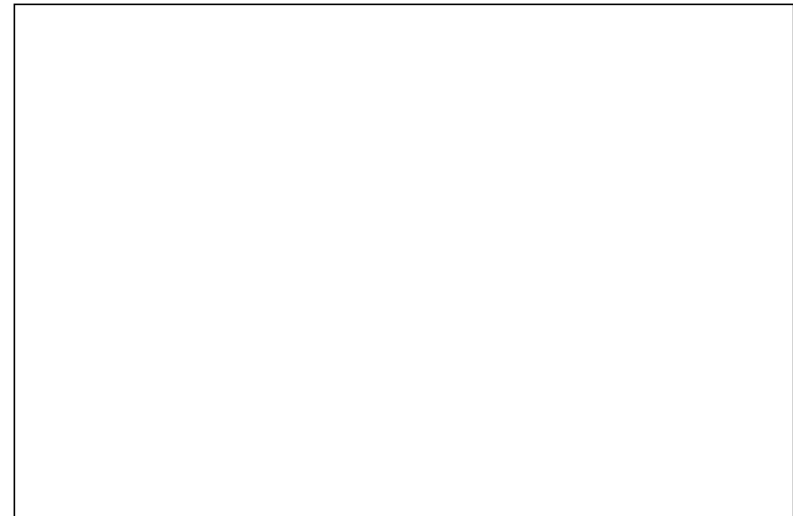


# KX85BAF

Left Side View



Right Side View



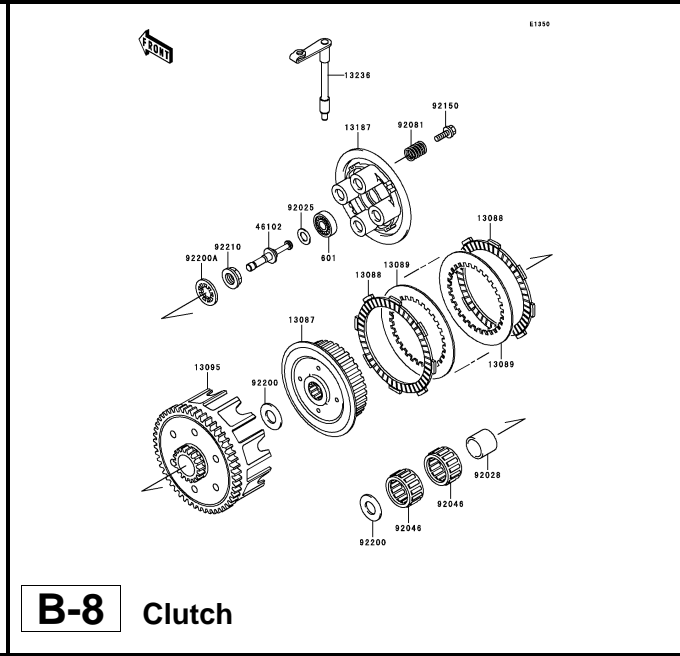
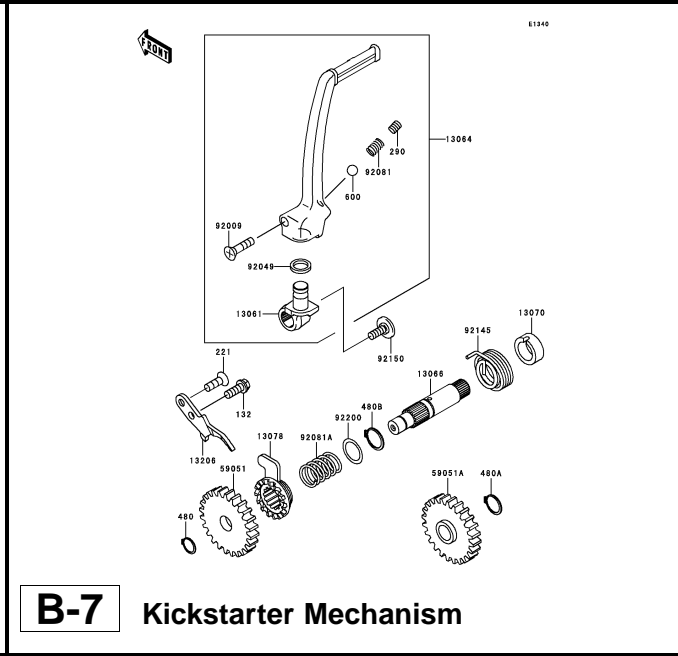
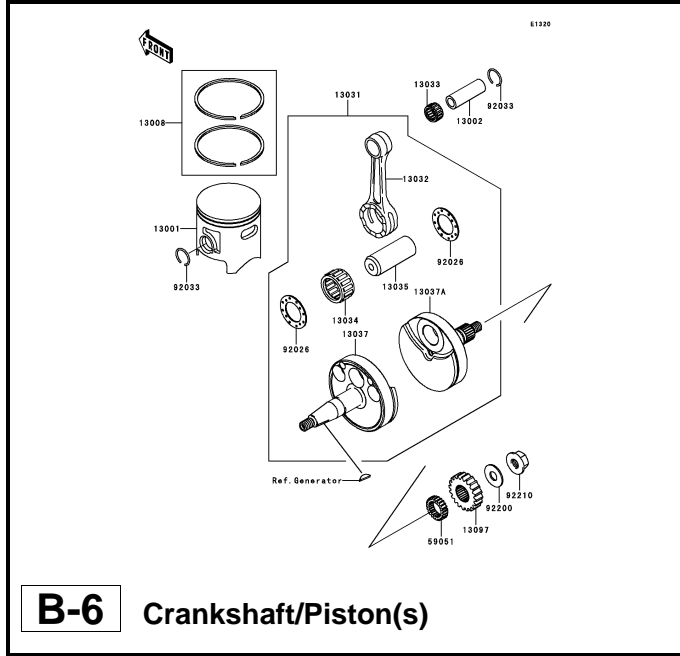
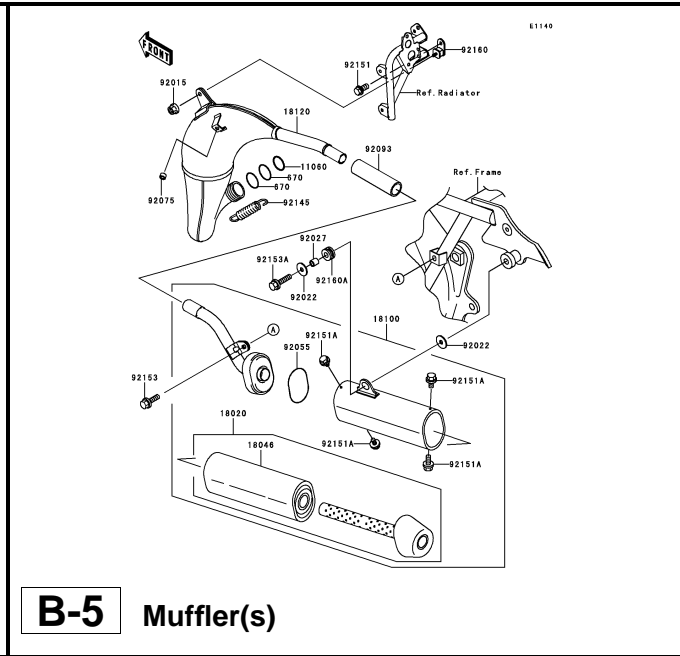
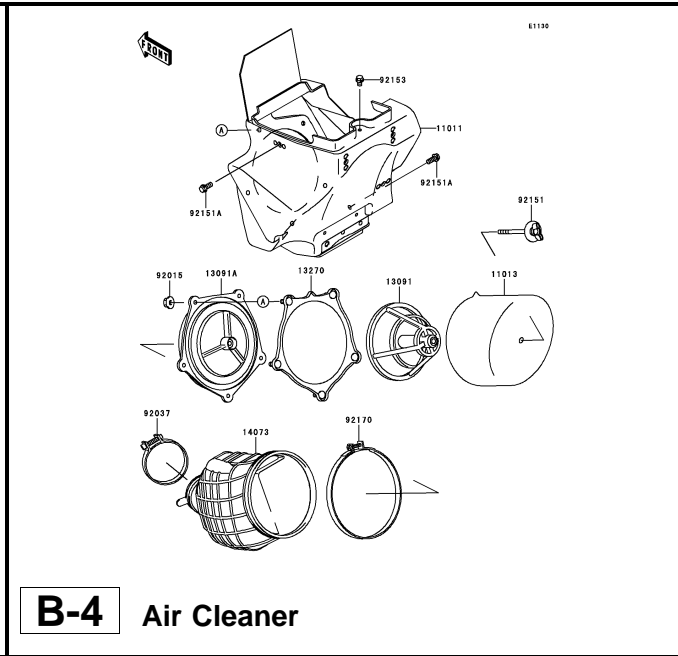
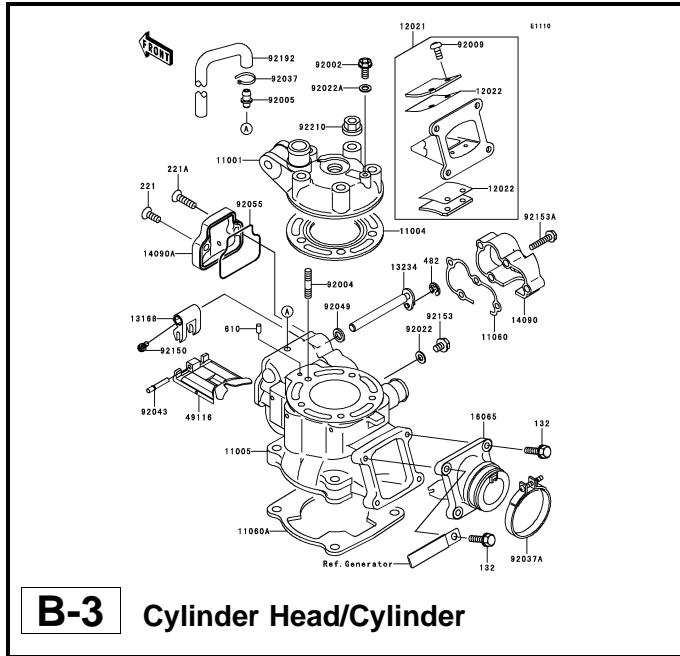


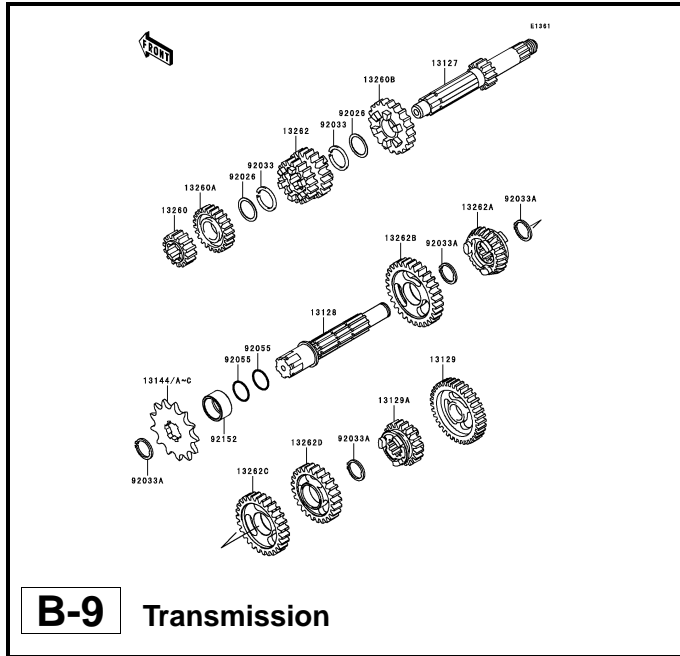




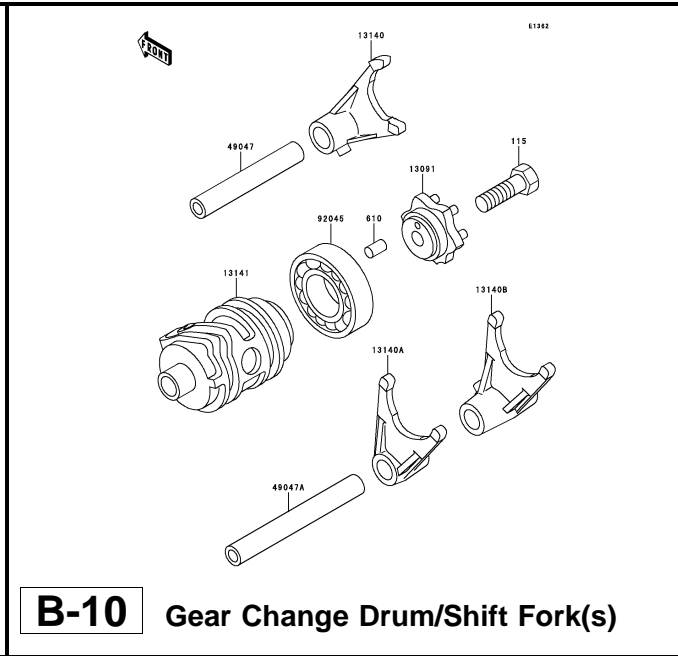




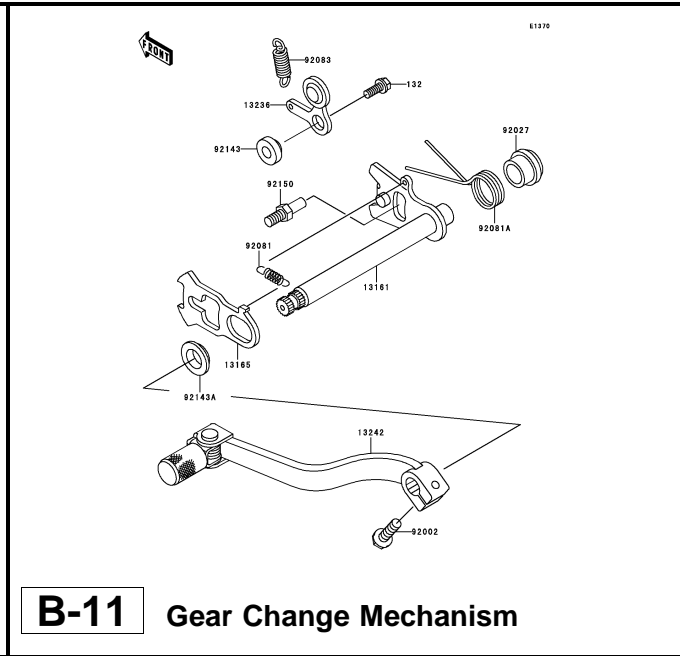




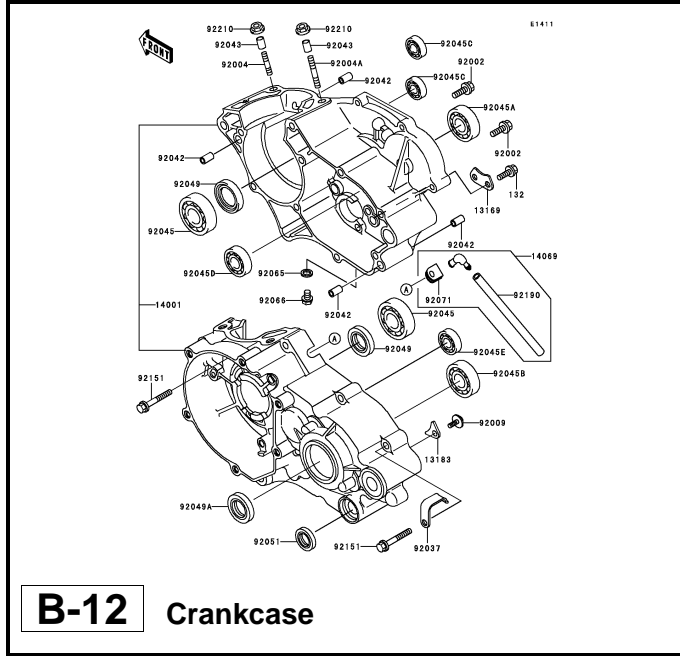
**B-9** Transmission



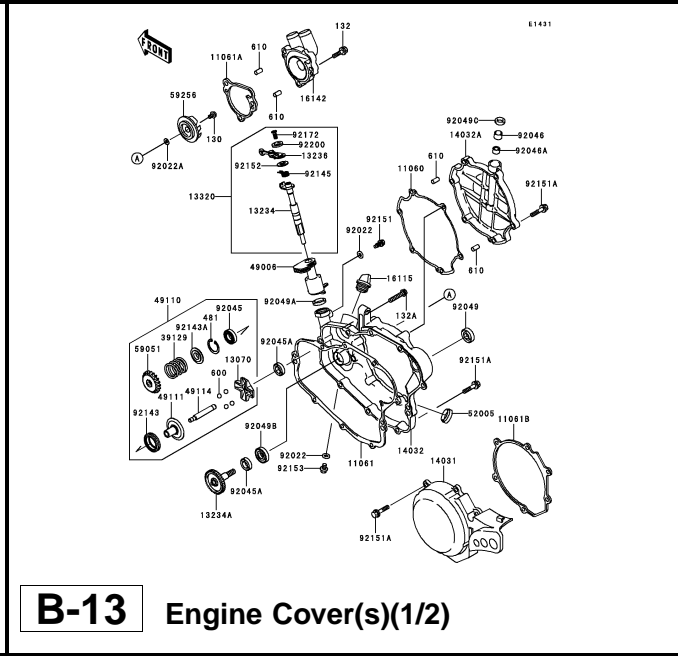
**B-10** Gear Change Drum/Shift Fork(s)



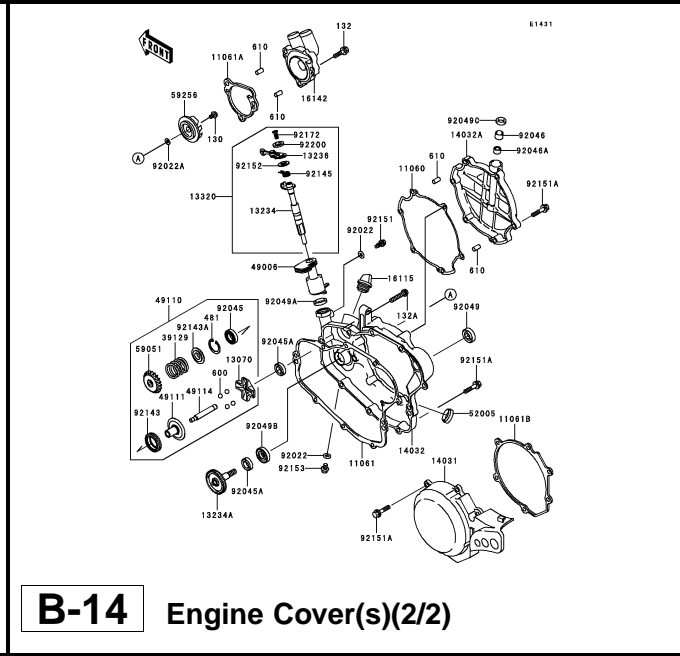
**B-11** Gear Change Mechanism



**B-12** Crankcase



**B-13** Engine Cover(s)(1/2)



**B-14** Engine Cover(s)(2/2)

This catalog covers:

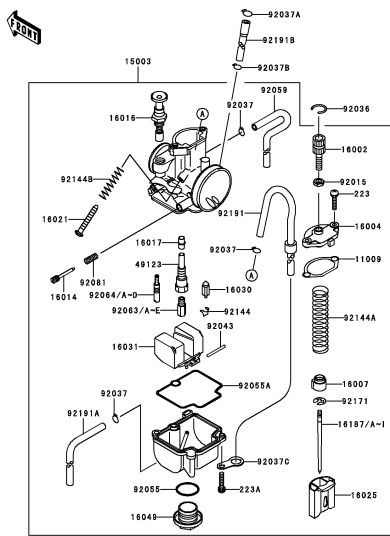
# '10 KX85 AAF/BAF Engine

GRID NO.

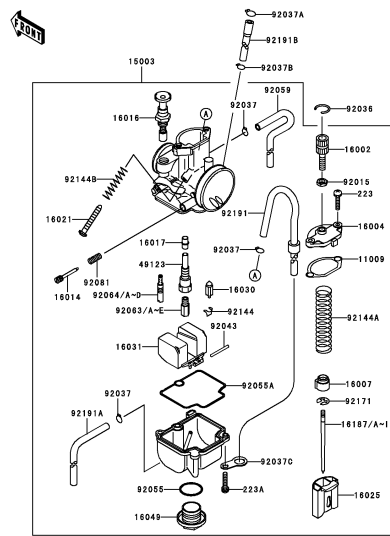
**C-1**

This grid covers:

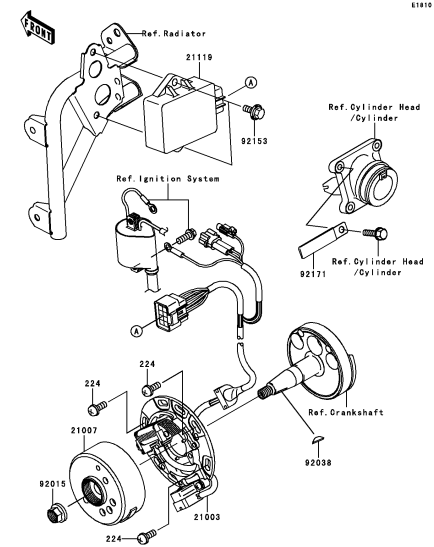
# Pictorial Index



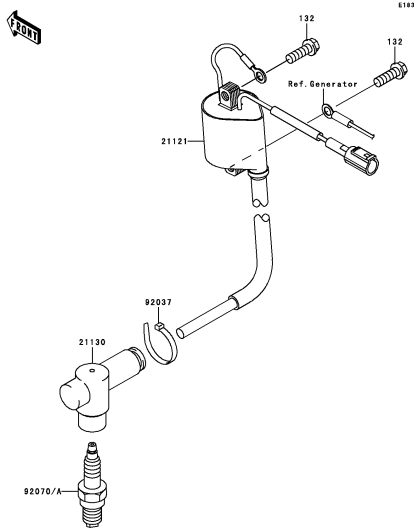
**C-3** Carburetor(1/2)



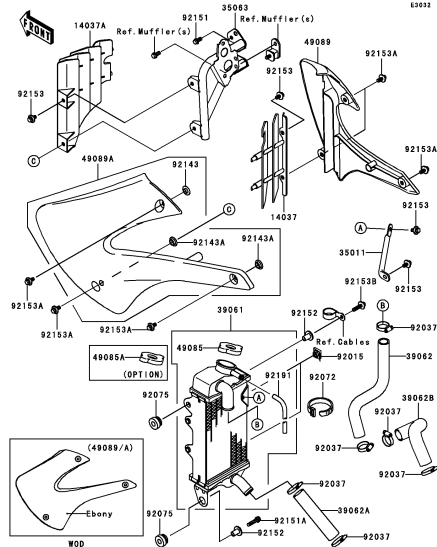
**C-4** Carburetor(2/2)



**C-5** Generator



**C-6** Ignition System



**C-7** Radiator

*This catalog covers:*

**'10 KX85 AAF/BAF Engine**

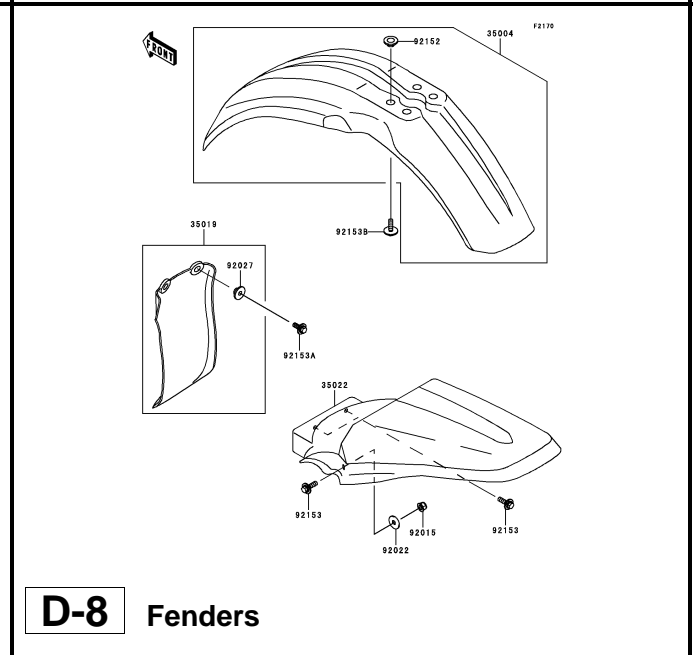
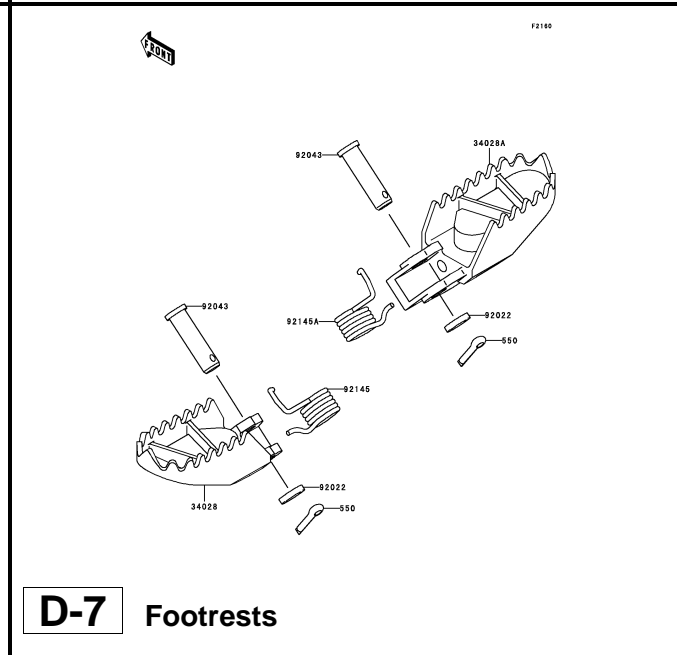
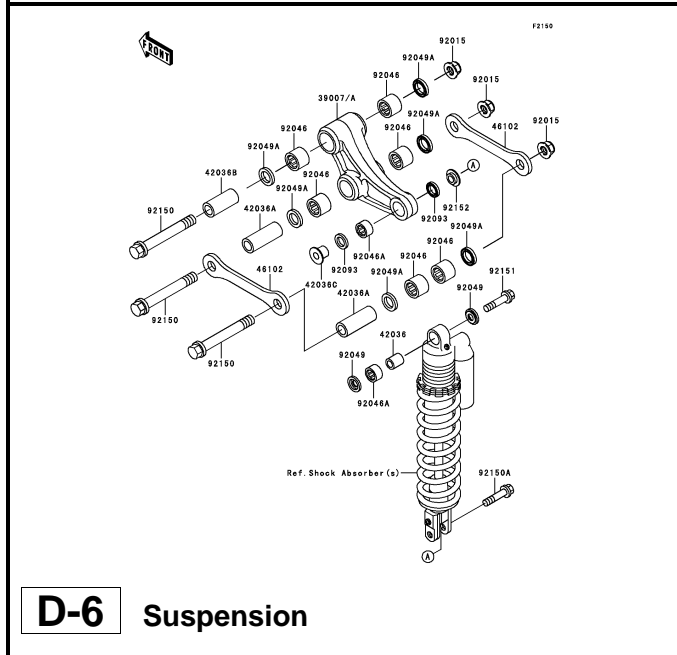
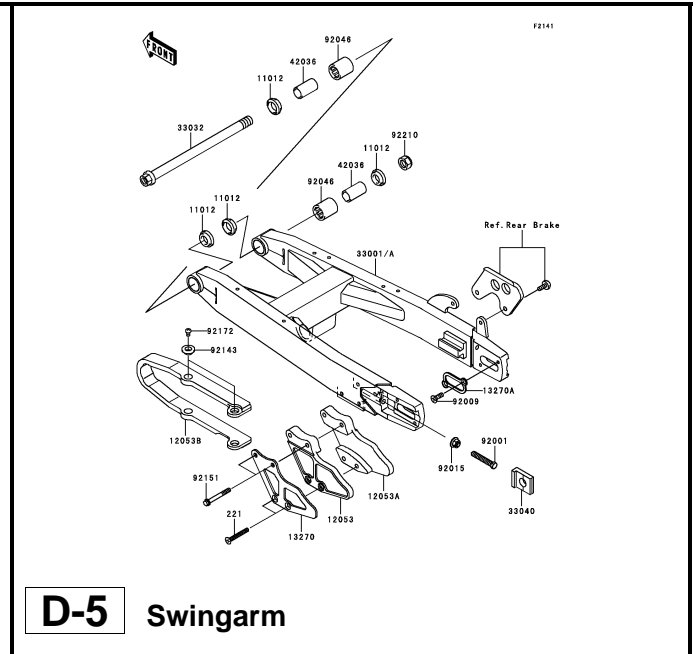
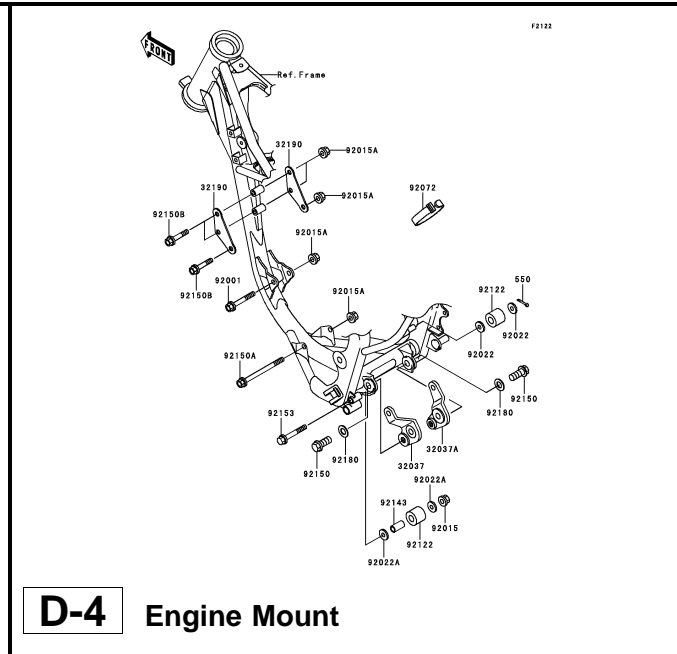
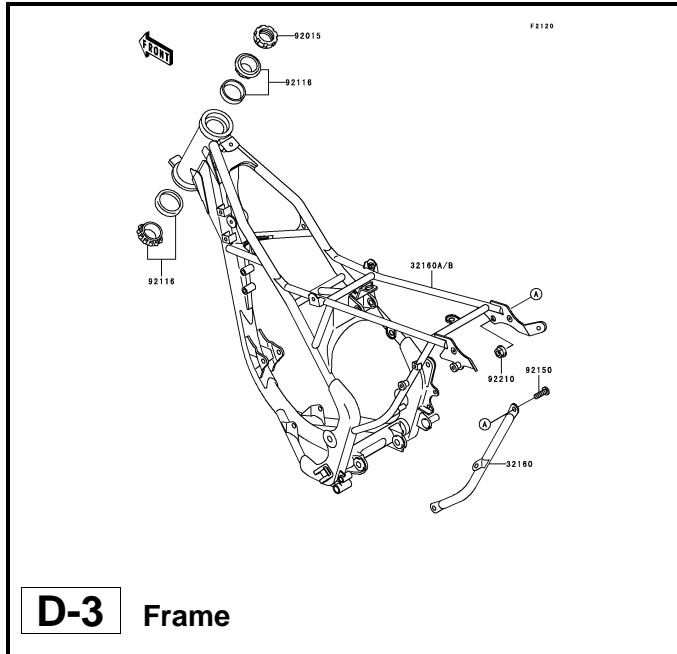
*GRID NO.*

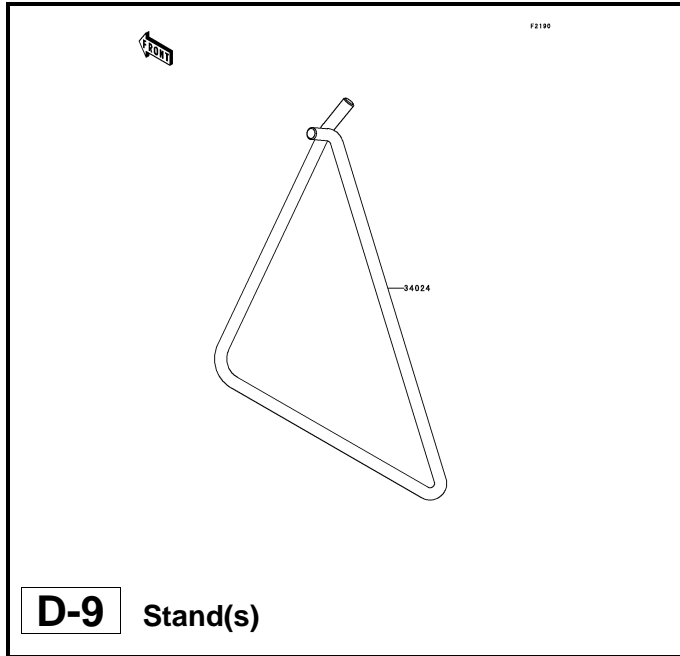
**C-2**

*This grid covers:*

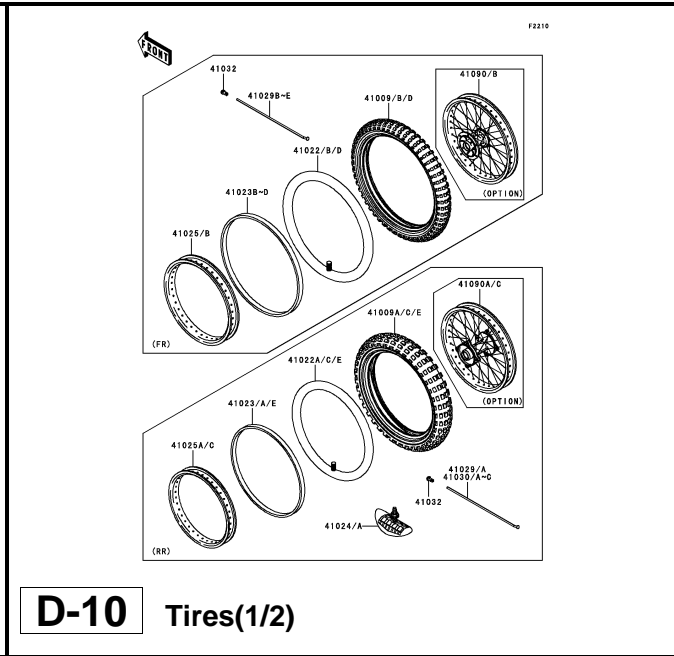
**Pictorial Index**

---

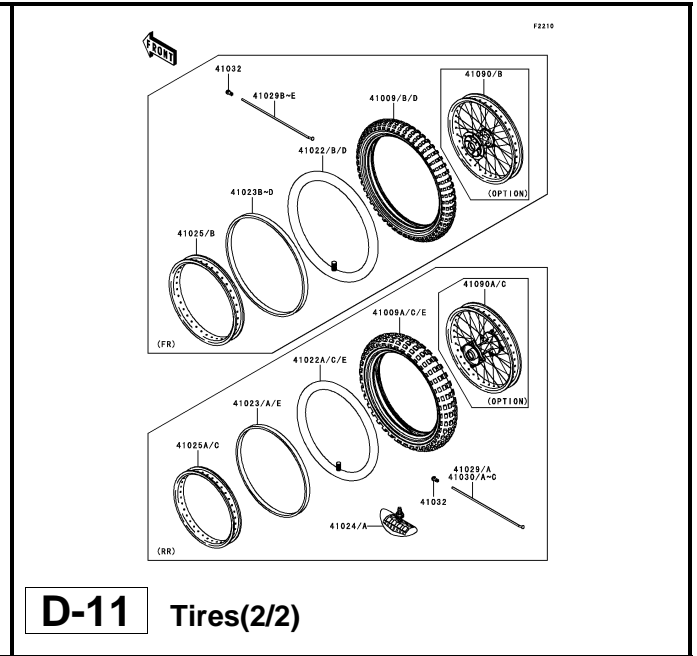





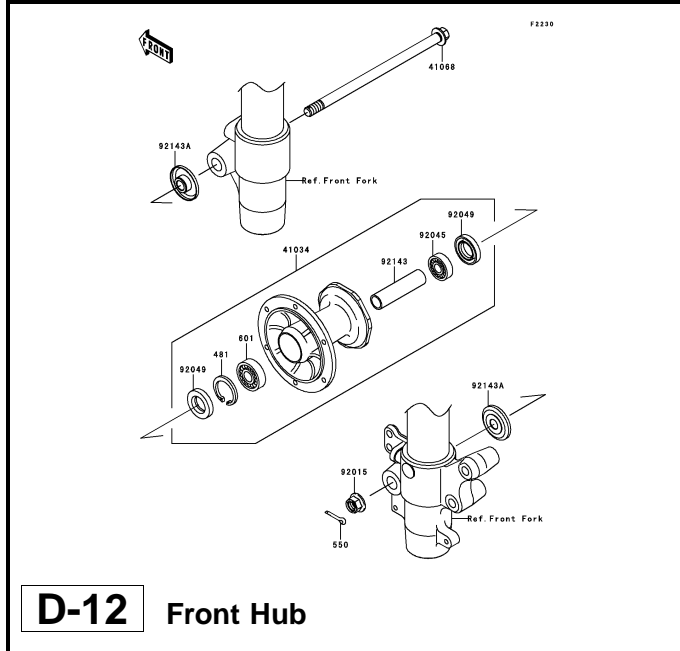
**D-9** Stand(s)



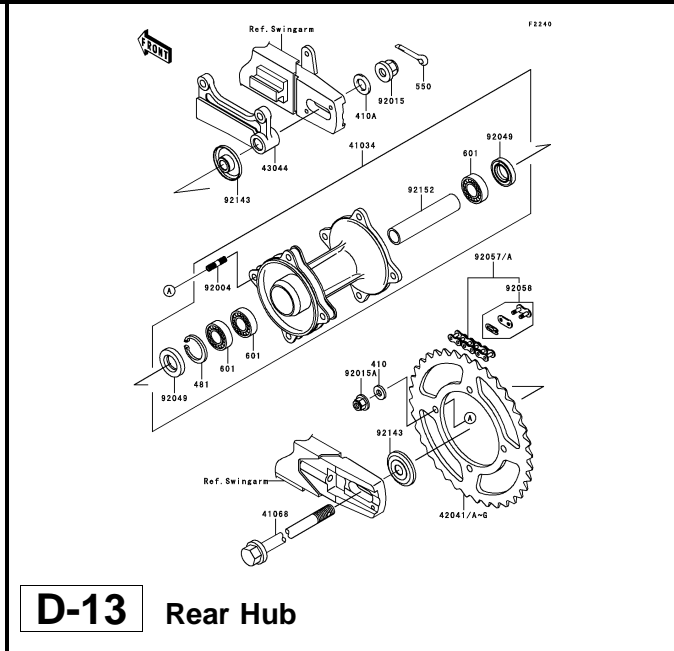
**D-10** Tires(1/2)



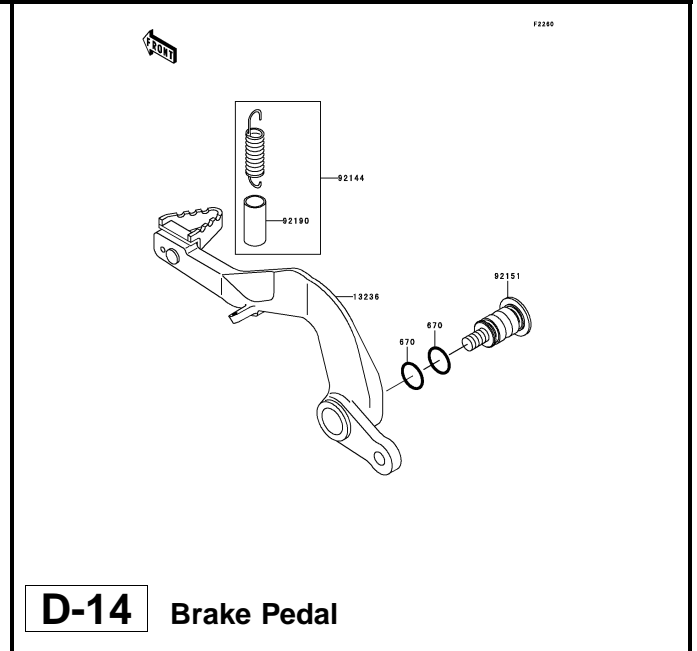
**D-11** Tires(2/2)



**D-12** Front Hub



**D-13** Rear Hub



**D-14** Brake Pedal

This catalog covers:

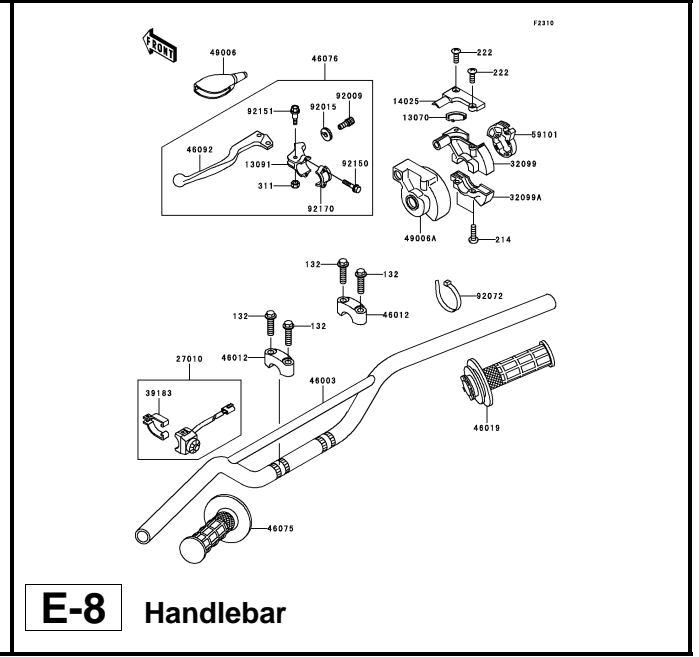
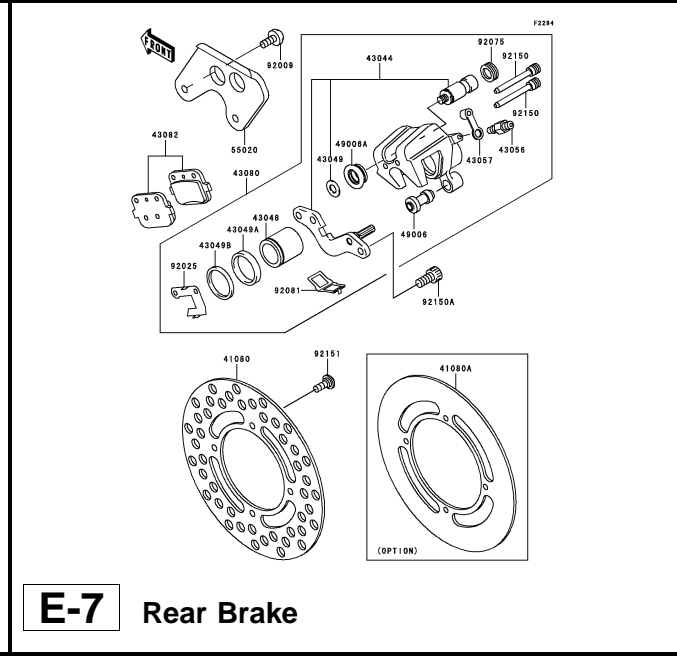
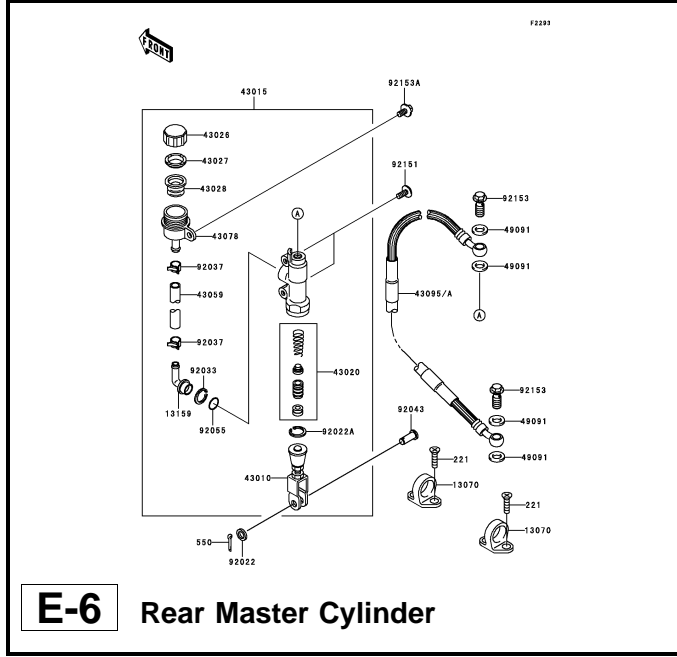
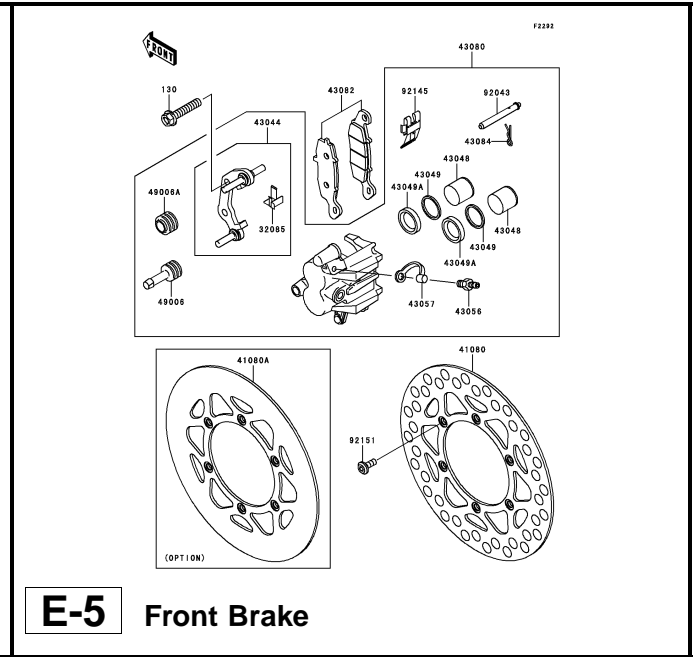
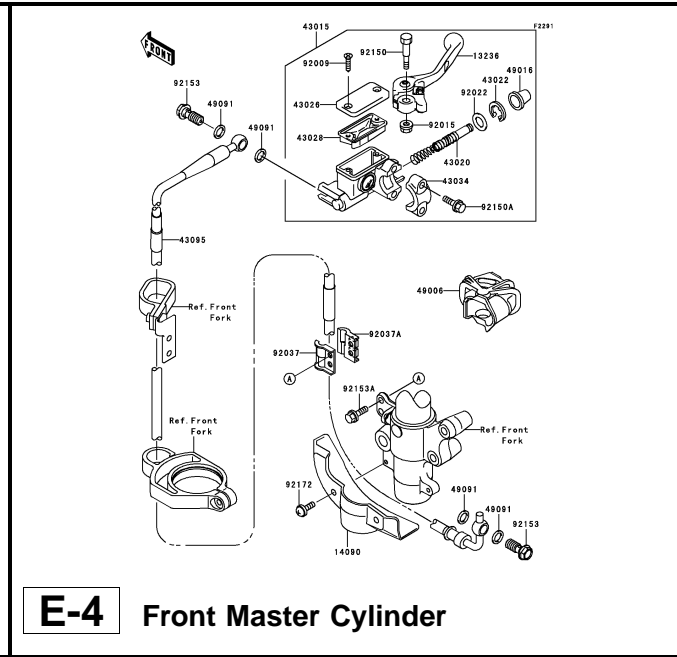
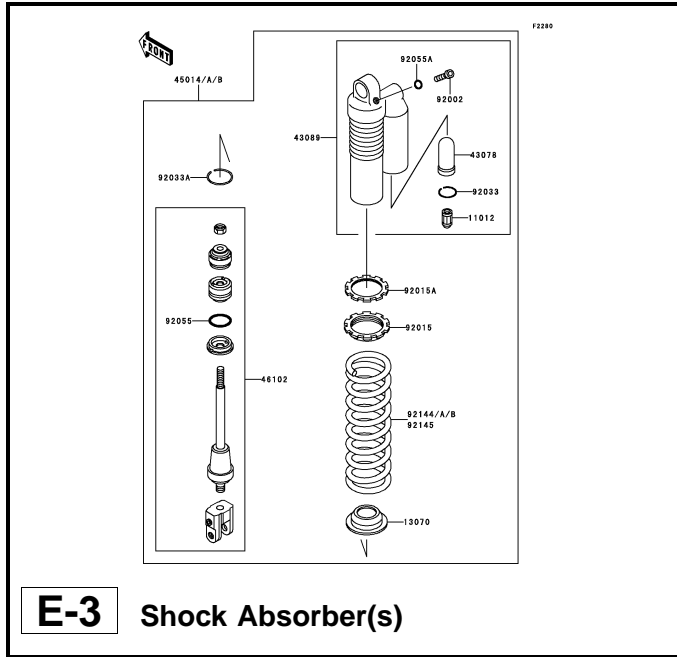
# '10 KX85 AAF/BAF Chassis

GRID NO.

**E-1**

This grid covers:

# Pictorial Index



This catalog covers:

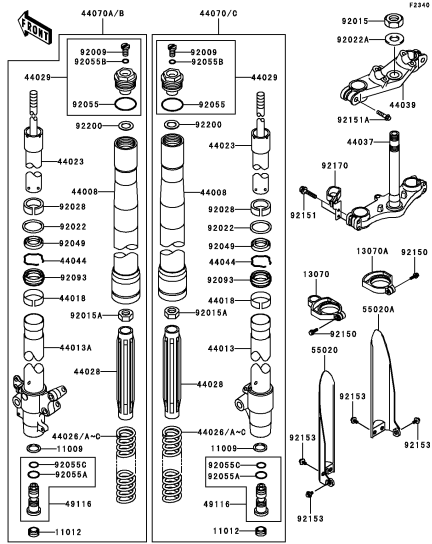
# '10 KX85 AAF/BAF Chassis

GRID NO.

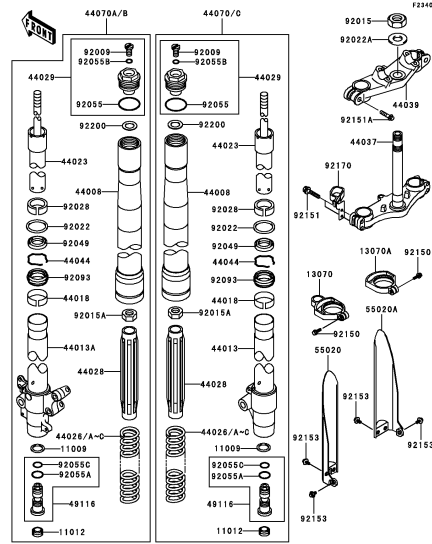
**E-2**

This grid covers:

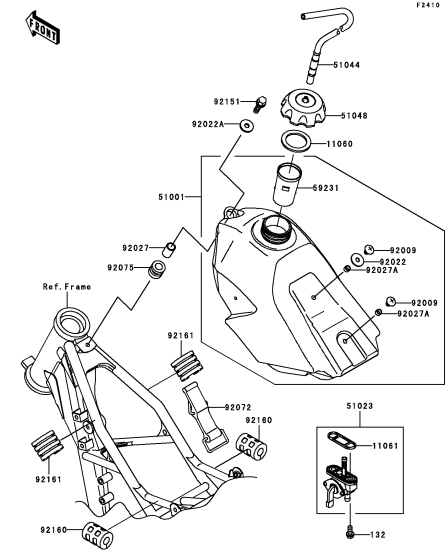
# Pictorial Index



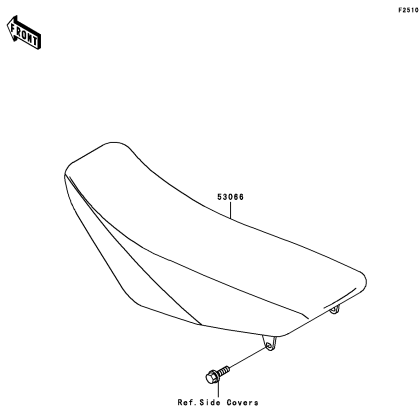
**E-9** Front Fork(1/2)



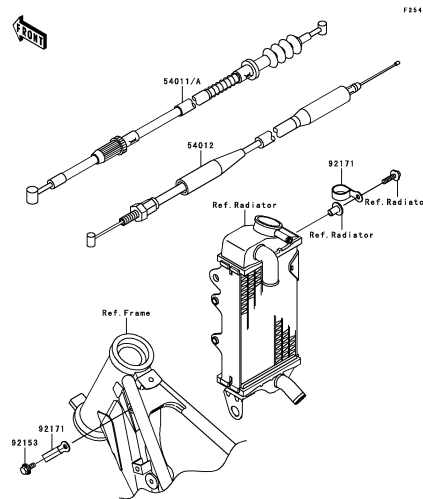
**E-10** Front Fork(2/2)



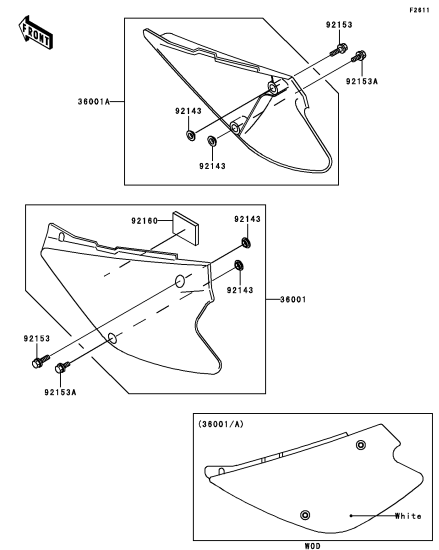
**E-11** Fuel Tank



**E-12** Seat

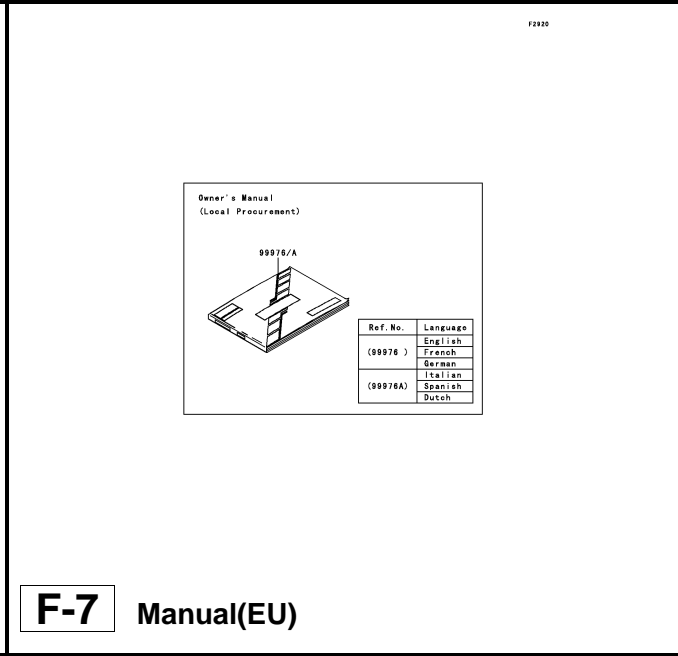
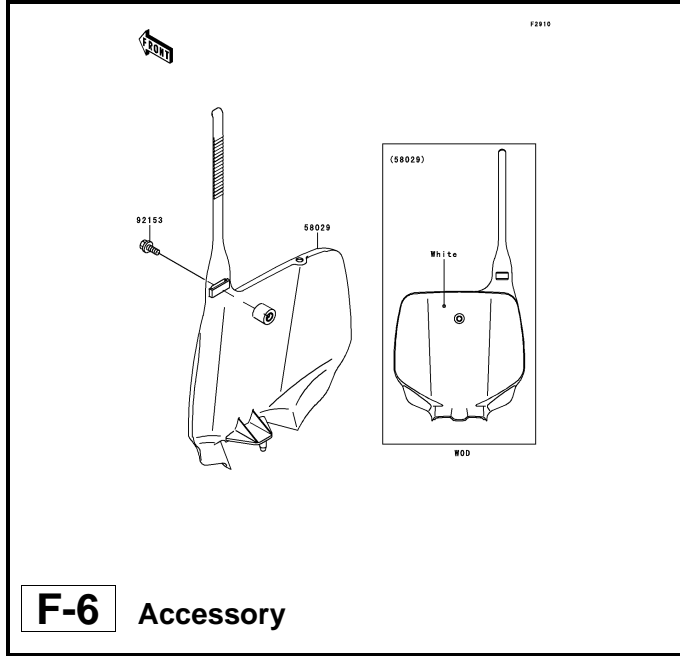
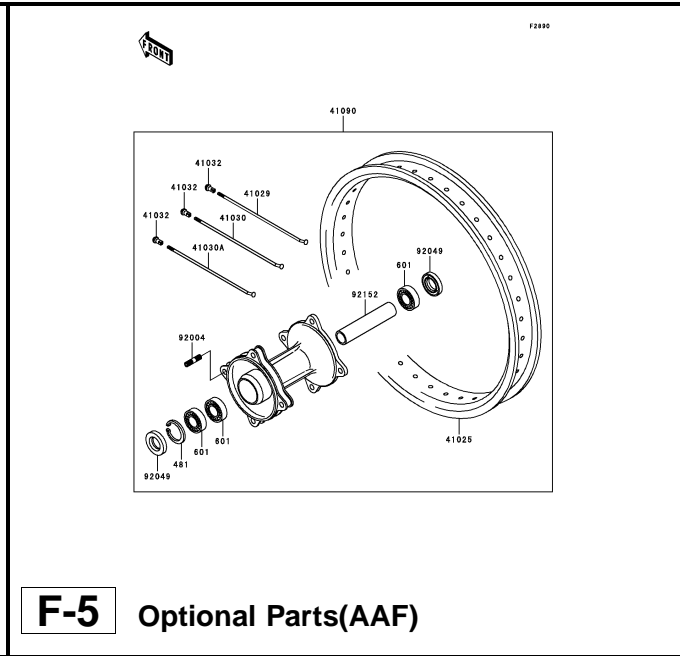
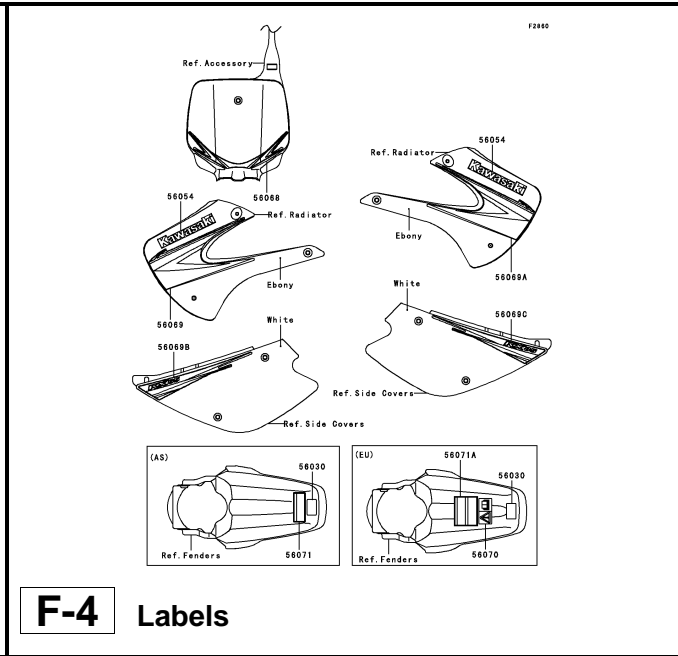
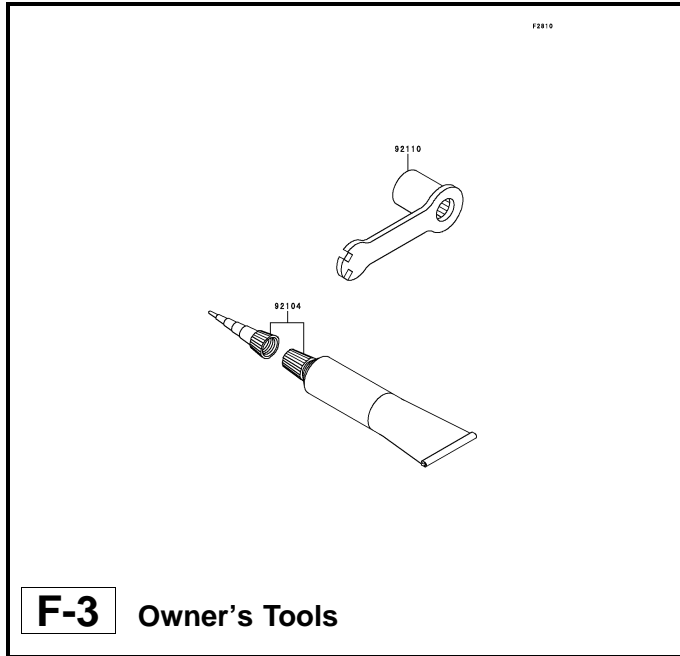


**E-13** Cables



**E-14** Side Covers





*This catalog covers:*

**'10 KX85 AAF/BAF Chassis**

*GRID NO.*

**F-2**

*This grid covers:*

**Pictorial Index**

---


This catalog covers:

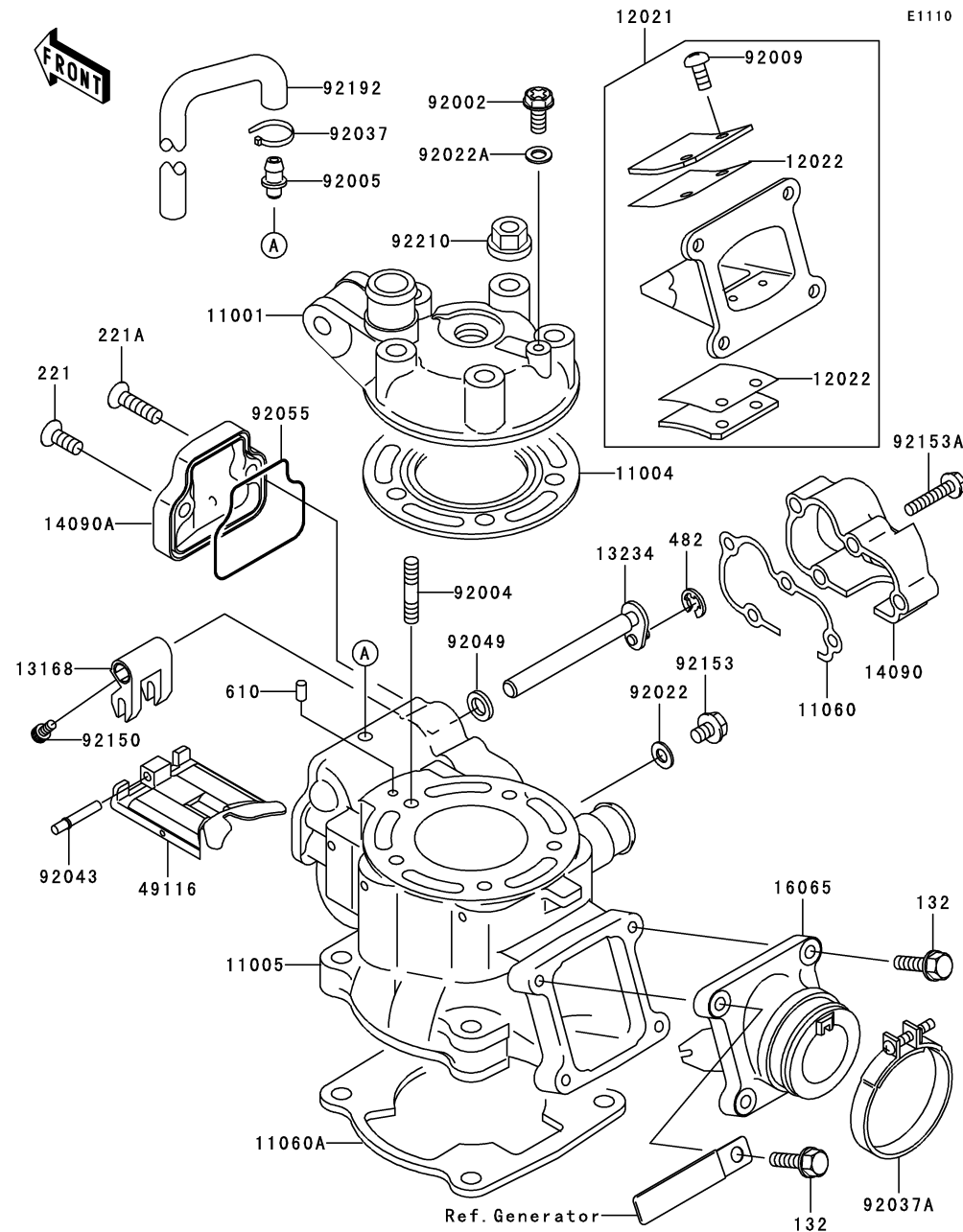
'10 KX85 AAF/BAF Engine

GRID NO.

**B-3**

This grid covers:

Cylinder Head/Cylinder



Ref. No.	Part No.	Description	Spec Code	Quantity-KX85			
				'10	'10		
				AAF	BAF		
11001	11001-1539	HEAD-CYLINDER	1	1			
11004	11004-1360	GASKET-HEAD	1	1			
11005	11005-0052	CYLINDER-ENGINE	1	1			
11060	11060-1778	GASKET,GOVERNOR COVER	1	1			
11060A	11060-1779	GASKET,CYLINDER BASE	1	1			
12021	12021-1123	VALVE-ASSY-REED	1	1			
12022	12022-1084	VALVE-REED	2	2			
13168	13168-1499	LEVER,MAIN VALVE	1	1			
13234	13234-1105	SHAFT-COMP	1	1			
14090	14090-1811	COVER	1	1			
14090A	14090-1812	COVER	1	1			
16065	16065-1372	HOLDER-CARBURETOR	1	1			
49116	49116-1181	VALVE-ASSY	1	1			
92002	92002-1222	BOLT,6X10	1	1			
92004	92004-1253	STUD,8X33	5	5			
92005	92005-0050	FITTING	1	1			
92009	92009-1014	SCREW,REED VALVE	4	4			
92022	92022-077	WASHER,6.1X12X1	1	1			
92022A	92022-304	WASHER,6.2X11X1	1	1			
92037	92037-1173	CLAMP	1	1			
92037A	92037-1843	CLAMP	1	1			
92043	92043-1470	PIN,MAIN VALVE	1	1			
92049	92049-1238	SEAL-OIL,SD088144	1	1			
92055	92055-1566	RING-O	1	1			
92150	92150-1888	BOLT,SOCKET,4X8	1	1			
92153	92153-1005	BOLT,FLANGED,M6X8	1	1			
92153A	92153-1006	BOLT,FLANGED,M5X25	4	4			
92192	92192-0265	TUBE,L=426.3	1	1			
92210	92210-0076	NUT,8MM	5	5			
132	132BC0620	BOLT-FLANGED-SMALL,6X20	4	4			
221	221AA0616	SCREW-CSK-CROS,6X16	1	1			
221A	221AA0620	SCREW-CSK-CROS,6X20	1	1			
482	482J5000	CIRCLIP-TYPE-E	1	1			
610	610A0408	ROLLER,4X8	1	1			

This catalog covers:

'10 KX85 AAF/BAF Engine

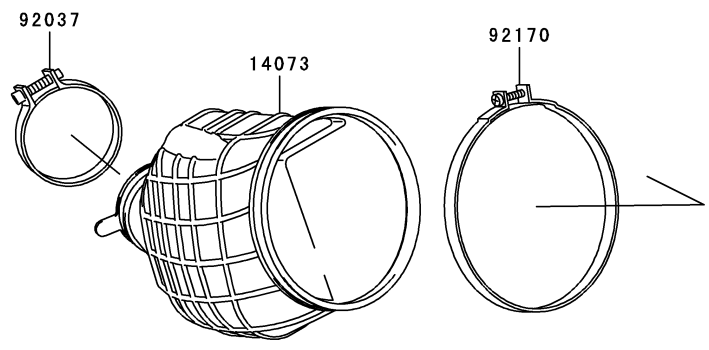
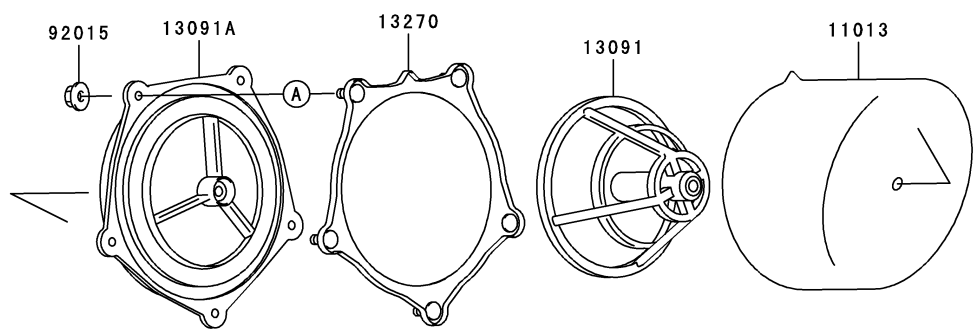
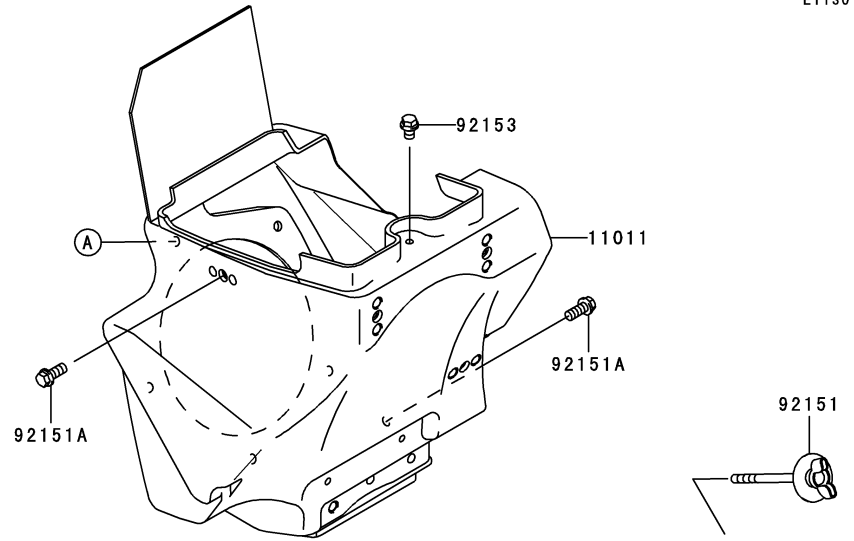
GRID NO.

**B-4**

This grid covers:

**Air Cleaner**

E1130



Ref. No.	Part No.	Description	Spec Code	Quantity-KX85			
				'10	'10		
				AAF	BAF		
11011	11011-1612	CASE-AIR FILTER		1	1		
11013	11013-1271	ELEMENT-AIR FILTER		1	1		
13091	13091-1696	HOLDER,ELEMENT		1	1		
13091A	13091-1697	HOLDER		1	1		
13270	13270-1905	PLATE,AIR FILTER		1	1		
14073	14073-1785	DUCT		1	1		
92015	92015-1259	NUT,FLANGED,5MM		5	5		
92037	92037-1486	CLAMP,55MM		1	1		
92151	92151-1256	BOLT,AIR FILTER		1	1		
92151A	92151-1423	BOLT,6X14		2	2		
92153	92153-0860	BOLT,6X8		1	1		
92170	92170-1194	CLAMP,126MM		1	1		

This catalog covers:

'10 KX85 AAF/BAF Engine

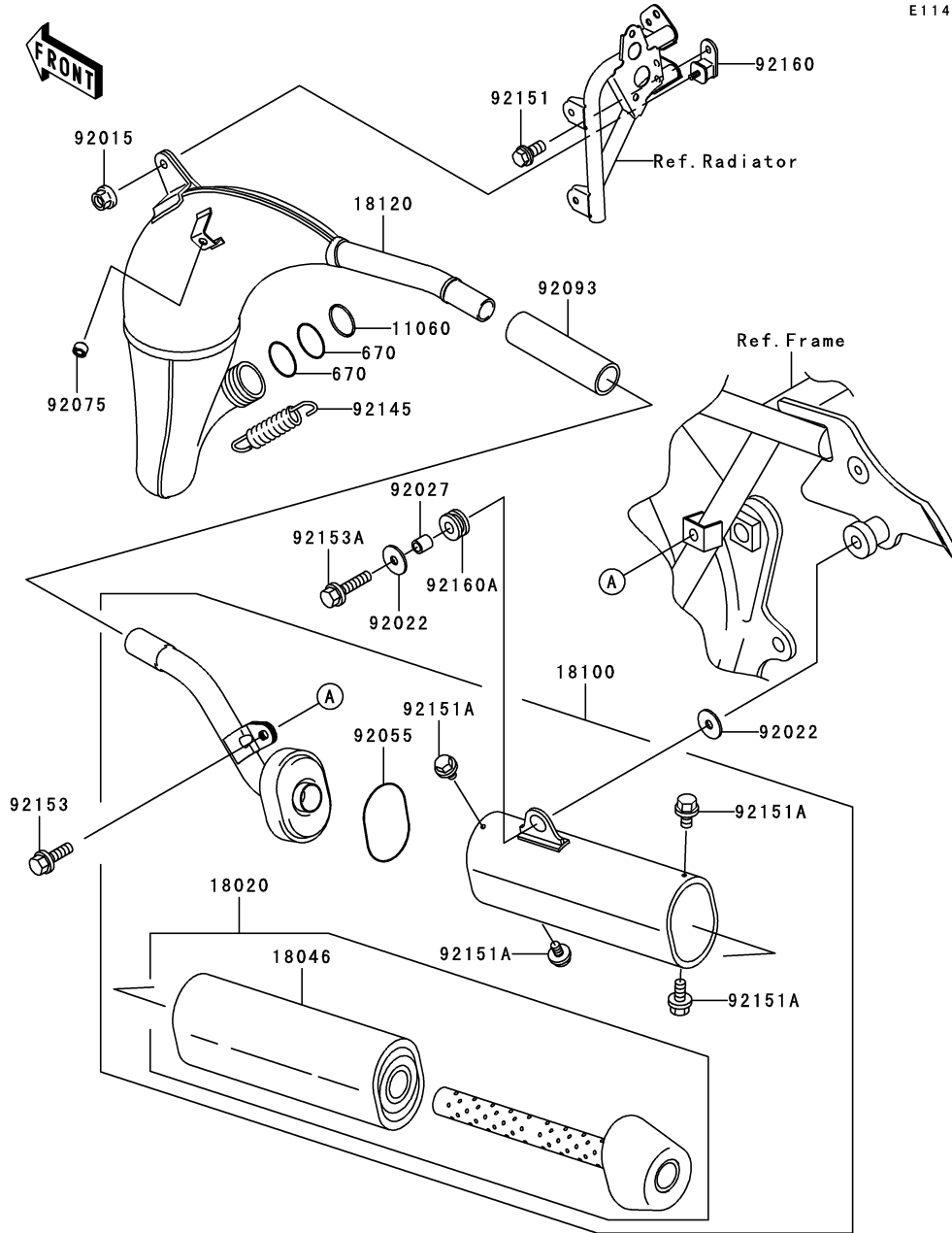
GRID NO.

**B-5**

This grid covers:

**Muffler(s)**

E1140



Ref. No.	Part No.	Description	Spec Code	Quantity-KX85			
				'10	'10		
				AAF	BAF		
11060	11060-1842	GASKET,EXHAUST HOLDER	1	1			
18020	18020-1272	BAFFLE	1	1			
18046	18046-1559	WOOL	1	1			
18100	18100-0016	BODY-ASSY-MUFFLER	1	1			
18120	18120-1114	CHAMBER-EXHAUST	1	1			
92015	92015-1078	NUT,FLANGED,6MM	1	1			
92022	92022-237	WASHER,6.5X22X1.6	2	2			
92027	92027-120	COLLAR,6.8X10X10.5	1	1			
92055	92055-1461	RING-O,BAFFLE PIPE	1	1			
92075	92075-1598	DAMPER	1	1			
92093	92093-1200	SEAL,MUFFLER JOINT	1	1			
92145	92145-1340	SPRING,EXHAUST CONNECTING	2	2			
92151	92151-1133	BOLT,6X12	1	1			
92151A	92151-1822	BOLT,FLANGED,6X10	4	4			
92153	92153-1007	BOLT,FLANGED WP,6X14	1	1			
92153A	92153-1008	BOLT,FLANGED WP,6X25	1	1			
92160	92160-1176	DAMPER,MUFFLER,FR	1	1			
92160A	92160-1913	DAMPER	1	1			
670	670E3034	O RING	2	2			

This catalog covers:

'10 KX85 AAF/BAF Engine

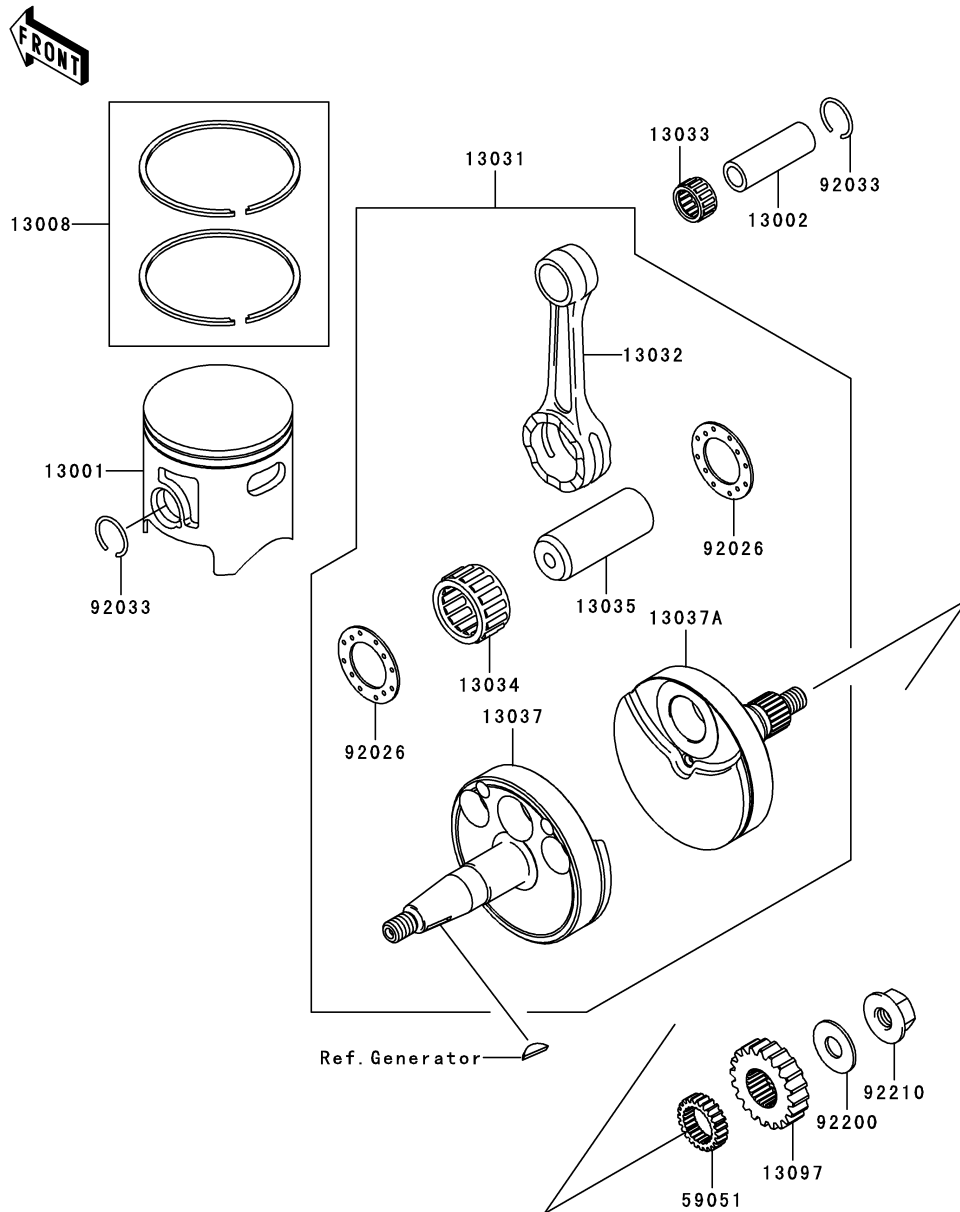
GRID NO.

**B-6**

This grid covers:

**Crankshaft/Piston(s)**

E1320



Ref. No.	Part No.	Description	Spec Code	Quantity-KX85			
				'10	'10		
				AAF	BAF		
13001	13001-0006	PISTON-ENGINE,B		1	1		
13002	13002-1079	PIN-PISTON		1	1		
13008	13008-1200	RING-SET-PISTON		1	1		
13031	13031-0040	CRANKSHAFT-COMP		1	1		
13032	13032-1230	ROD-CONNECTING		1	1		
13033	13033-1060	BEARING-SMALL END		1	1		
13034	13034-0013	BEARING-BIG END,SKTZ 222916EGS		1	1		
13035	13035-1054	PIN-CRANK		1	1		
13037	13037-0050	CRANKSHAFT,LH		1	1		
13037A	13037-0051	CRANKSHAFT,RH		1	1		
13097	13097-1148	GEAR-PRIMARY SPUR,20T		1	1		
59051	59051-1146	GEAR-SPUR,PUMP,23T		1	1		
92026	92026-1136	SPACER,22.2X37X1.0		2	2		
92033	92033-0005	RING-SNAP		2	2		
92200	92200-0213	WASHER,10.2X25X1.5		1	1		
92210	92210-0215	NUT,FLANGED,M10XL1.25		1	1		

This catalog covers:

'10 KX85 AAF/BAF Engine

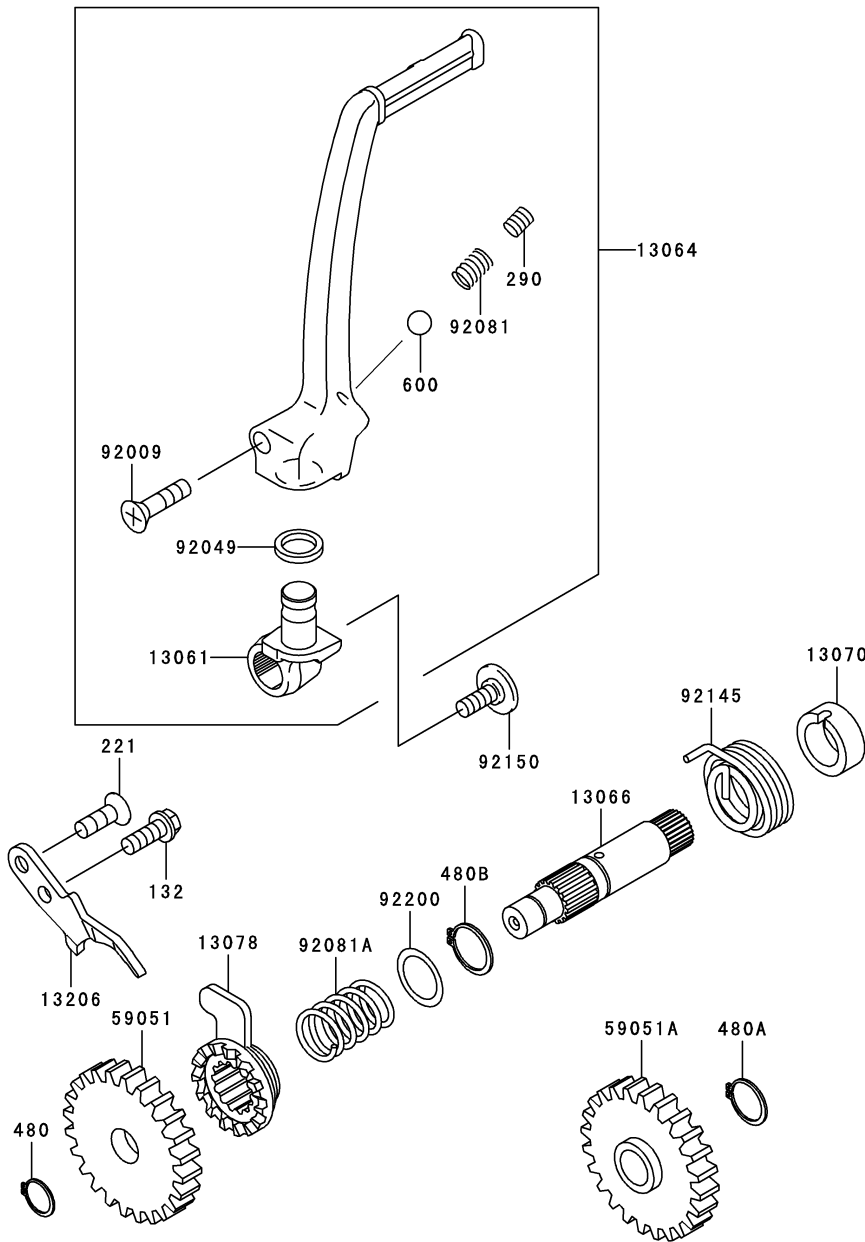
GRID NO.

**B-7**

This grid covers:

**Kickstarter Mechanism**

E1340



Ref. No.	Part No.	Description	Spec Code	Quantity-KX85			
				'10 AAF	'10 BAF		
13061	13061-1712	BOSS,KICK PEDAL		1	1		
13064	13064-1188	LEVER-ASSY-KICK,PEDAL		1	1		
13066	13066-1097	SHAFT-KICK		1	1		
13070	13070-1314	GUIDE		1	1		
13078	13078-1004	RATCHET		1	1		
13206	13206-1066	GUIDE-KICK		1	1		
59051	59051-1026	GEAR-SPUR,32T		1	1		
59051A	59051-1147	GEAR-SPUR,31T,KICK		1	1		
92009	92009-1607	SCREW,6X27		1	1		
92049	92049-1468	SEAL-OIL,SR12162.5		1	1		
92081	92081-020	SPRING,KICK PEDAL		1	1		
92081A	92081-122	SPRING,RATCHET		1	1		
92145	92145-1058	SPRING		1	1		
92150	92150-1673	BOLT,SOCKET,6X16		1	1		
92200	92200-1209	WASHER,KICKSHAFT		1	1		
132	132BA0616	BOLT-FLANGED-SMALL,6X16		1	1		
221	221AA0618	SCREW-CSK-CROS,6X18		1	1		
290	290CA0808	SCREW-SET-SOCKET,8X8		1	1		
480	480J1200	CIRCLIP-TYPE-C,12MM		1	1		
480A	480J1500	CIRCLIP-TYPE-C,15MM		1	1		
480B	480J1600	CIRCLIP-TYPE-C,16MM		1	1		
600	600A0800	BALL-STEEL,1/4"		1	1		

This catalog covers:

'10 KX85 AAF/BAF Engine

GRID NO.

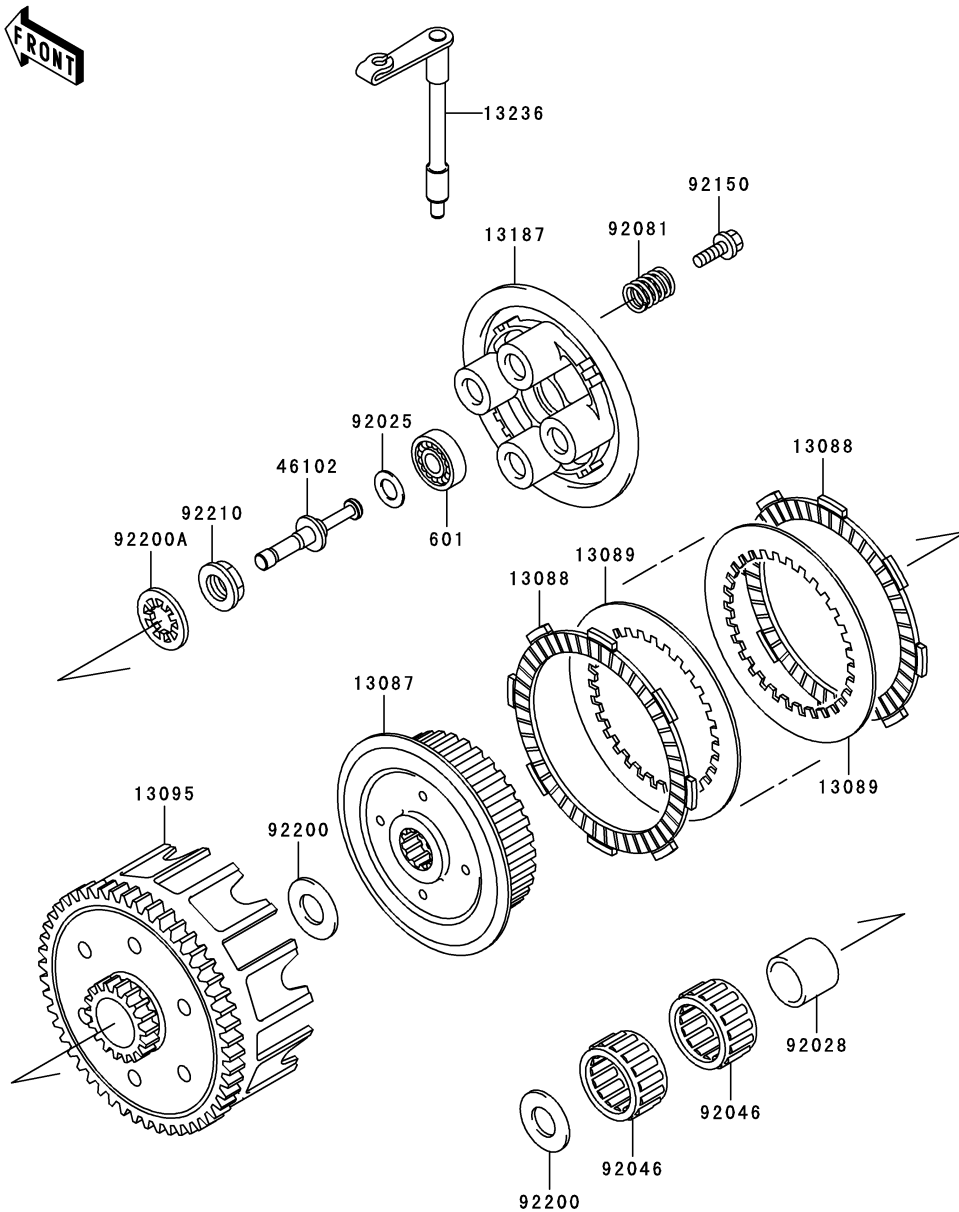
**B-8**

This grid covers:

**Clutch**

E1350

Ref. No.	Part No.	Description	Spec Code	Quantity-KX85			
				'10	'10		
				AAF	BAF		
13087	13087-1170	HUB-CLUTCH		1	1		
13088	13088-1016	PLATE-FRICTION,ID=91		6	6		
13089	13089-1120	PLATE-CLUTCH		5	5		
13095	13095-1406	HOUSING-COMP-CLUTCH		1	1		
13187	13187-1013	PLATE-CLUTCH OPERATING		1	1		
13236	13236-1298	LEVER-COMP,RELEASE		1	1		
46102	46102-1409	ROD,CLUTCH RELEASE		1	1		
92025	92025-1780	SHIM		1	1		
92028	92028-1811	BUSHING,20X25X21.1		1	1		
92046	92046-1254	BEARING-NEEDLE,KT252910EG		2	2		
92081	92081-1492	SPRING,CLUTCH		4	4		
92150	92150-1715	BOLT,6X20,WASHER		4	4		
92200	92200-1351	WASHER,20.3X33X2.0		2	2		
92200A	92200-1352	WASHER,20X30X2.6		1	1		
92210	92210-1113	NUT,16MM		1	1		
601	601A6001	BEARING-BALL		1	1		





This catalog covers:

'10 KX85 AAF/BAF Engine

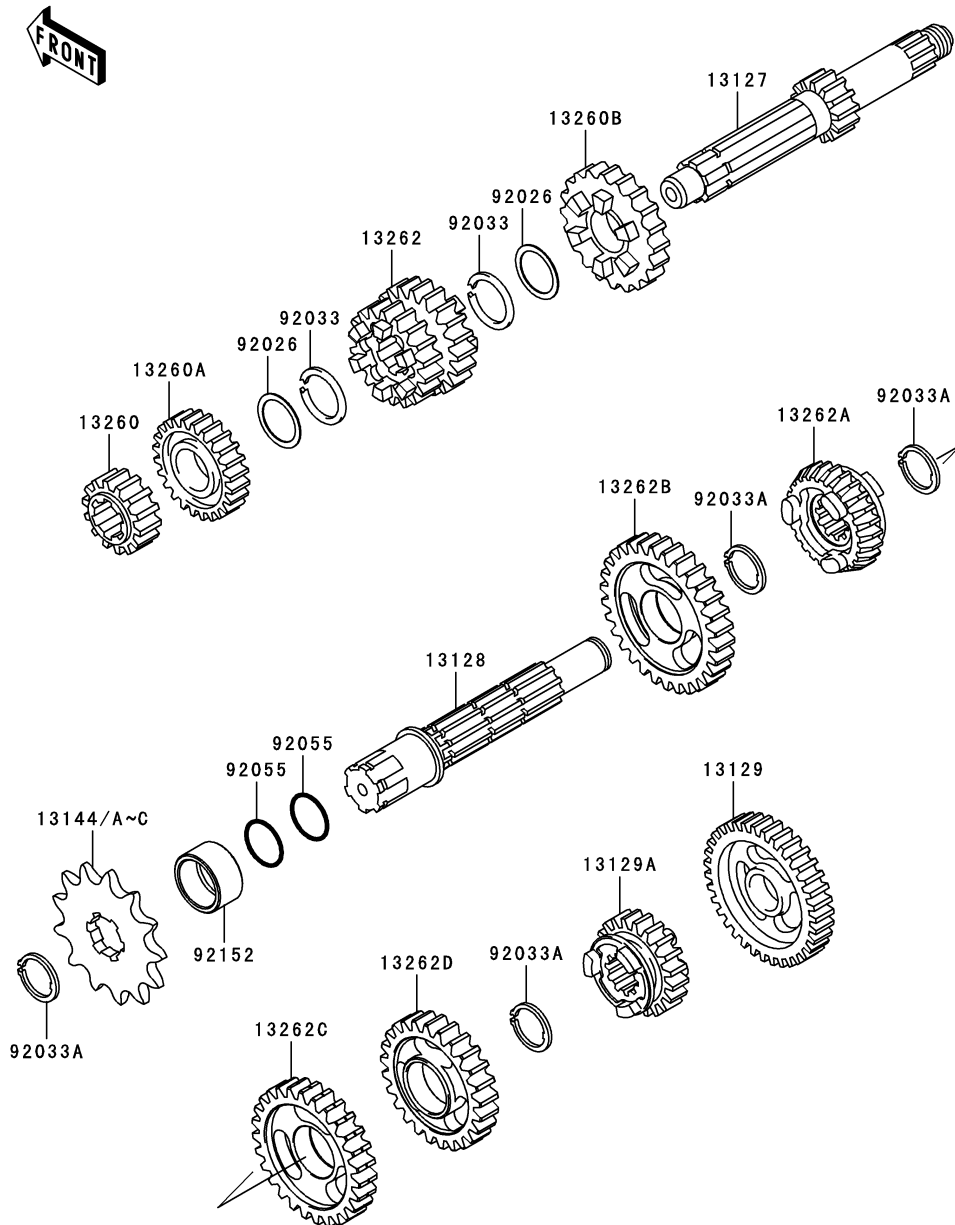
GRID NO.

**B-9**

This grid covers:

**Transmission**

E1361



Ref. No.	Part No.	Description	Spec Code	Quantity-KX85			
				'10 AAF	'10 BAF		
13127	13127-1261	SHAFT-TRANSMISSION INPUT,13T		1	1		
13128	13128-0022	SHAFT-TRANSMISSION OUTPUT		1	1		
13129	13129-1725	GEAR,OUTPUT LOW,33T		1	1		
13129A	13129-1730	GEAR,OUTPUT 6TH,22T		1	1		
13144	13144-1022	SPROCKET-OUTPUT,14T		1			
13144A	13144-1022	SPROCKET-OUTPUT,14T (OPTION)			1		
13144B	13144-1023	SPROCKET-OUTPUT,13T			1		
13144C	13144-1023	SPROCKET-OUTPUT,13T (OPTION)		1			
13260	13260-1014	GEAR,INPUT 2ND,16T		1	1		
13260A	13260-1950	GEAR-TRANSMISSION SPUR,5TH,22T		1	1		
13260B	13260-1951	GEAR-TRANSMISSION SPUR,6TH,23T		1	1		
13262	13262-0180	GEAR,INPUT 3RD&4TH,18&20T		1	1		
13262A	13262-0181	GEAR,OUTPUT 5TH,24T		1	1		
13262B	13262-0298	GEAR,OUTPUT 2ND,30T		1	1		
13262C	13262-0299	GEAR,OUTPUT 3RD,27T		1	1		
13262D	13262-0300	GEAR,OUTPUT 4TH,25T		1	1		
92026	92026-1602	SPACER,18X23X0.50		2	2		
92033	92033-028	RING-SNAP		2	2		
92033A	92033-1079	RING-SNAP,18MM		4	4		
92055	92055-022	RING-O,17.5X1.5		2	2		
92152	92152-0195	COLLAR,20X25X12.9		1	1		

This catalog covers:

'10 KX85 AAF/BAF Engine

GRID NO.

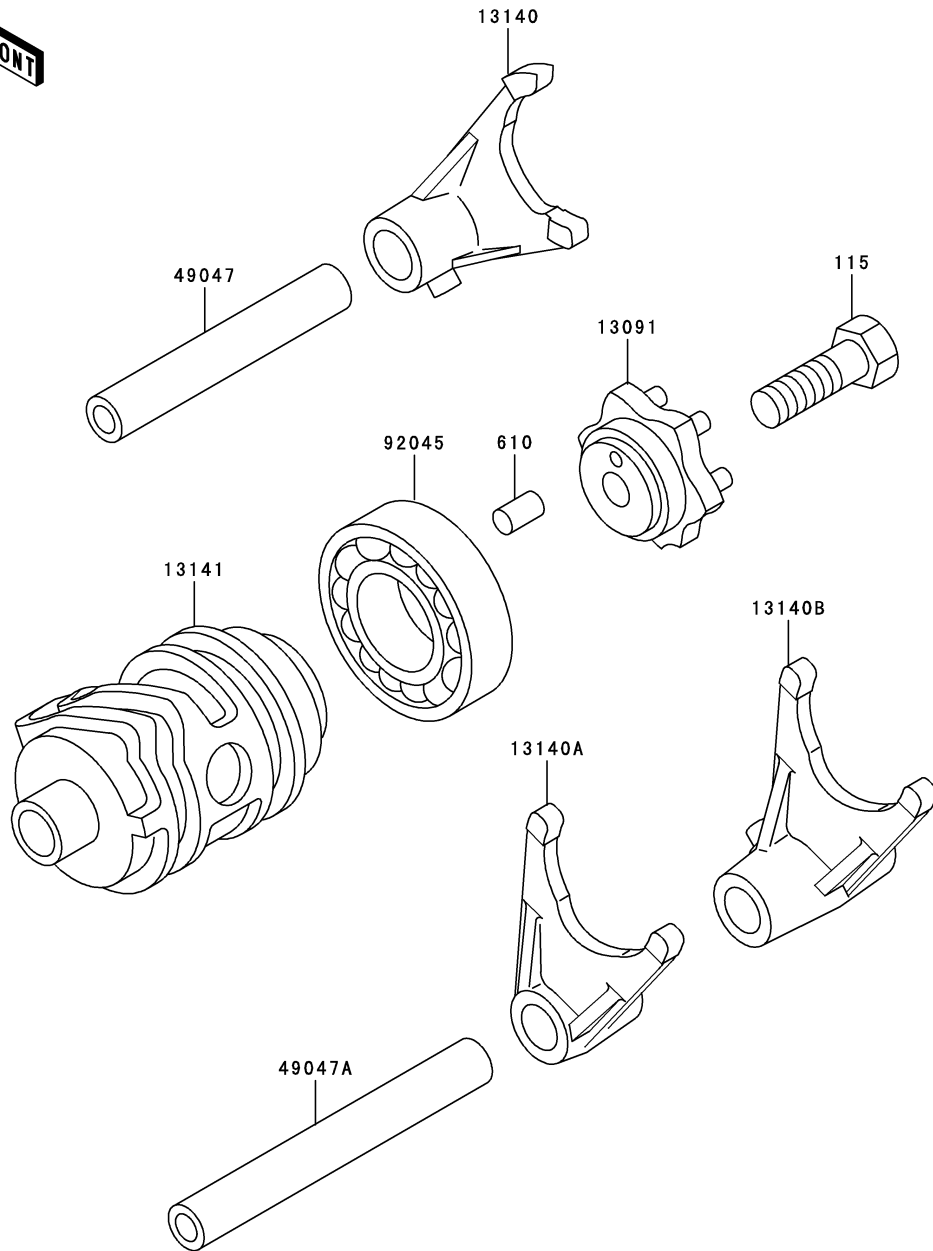
**B-10**

This grid covers:

**Gear Change Drum/Shift Fork(s)**

E1362

Ref. No.	Part No.	Description	Spec Code	Quantity-KX85			
				'10	'10		
				AAF	BAF		
13091	13091-1390	HOLDER,CHANGE DRUM		1	1		
13140	13140-1302	FORK-SHIFT,5TH&6TH		1	1		
13140A	13140-1303	FORK-SHIFT,2ND&3RD		1	1		
13140B	13140-1304	FORK-SHIFT,LOW&4TH		1	1		
13141	13141-1120	DRUM-CHANGE		1	1		
49047	49047-1063	ROD-SHIFT,5.9X10X64.5		1	1		
49047A	49047-1064	ROD-SHIFT,5.9X10X81		1	1		
92045	92045-1058	BEARING-BALL,6905Z		1	1		
115	115BA0825	BOLT-SMALL-UPSET,8X25		1	1		
610	610A0408	ROLLER,4X8		1	1		



This catalog covers:

'10 KX85 AAF/BAF Engine

GRID NO.

**B-11**

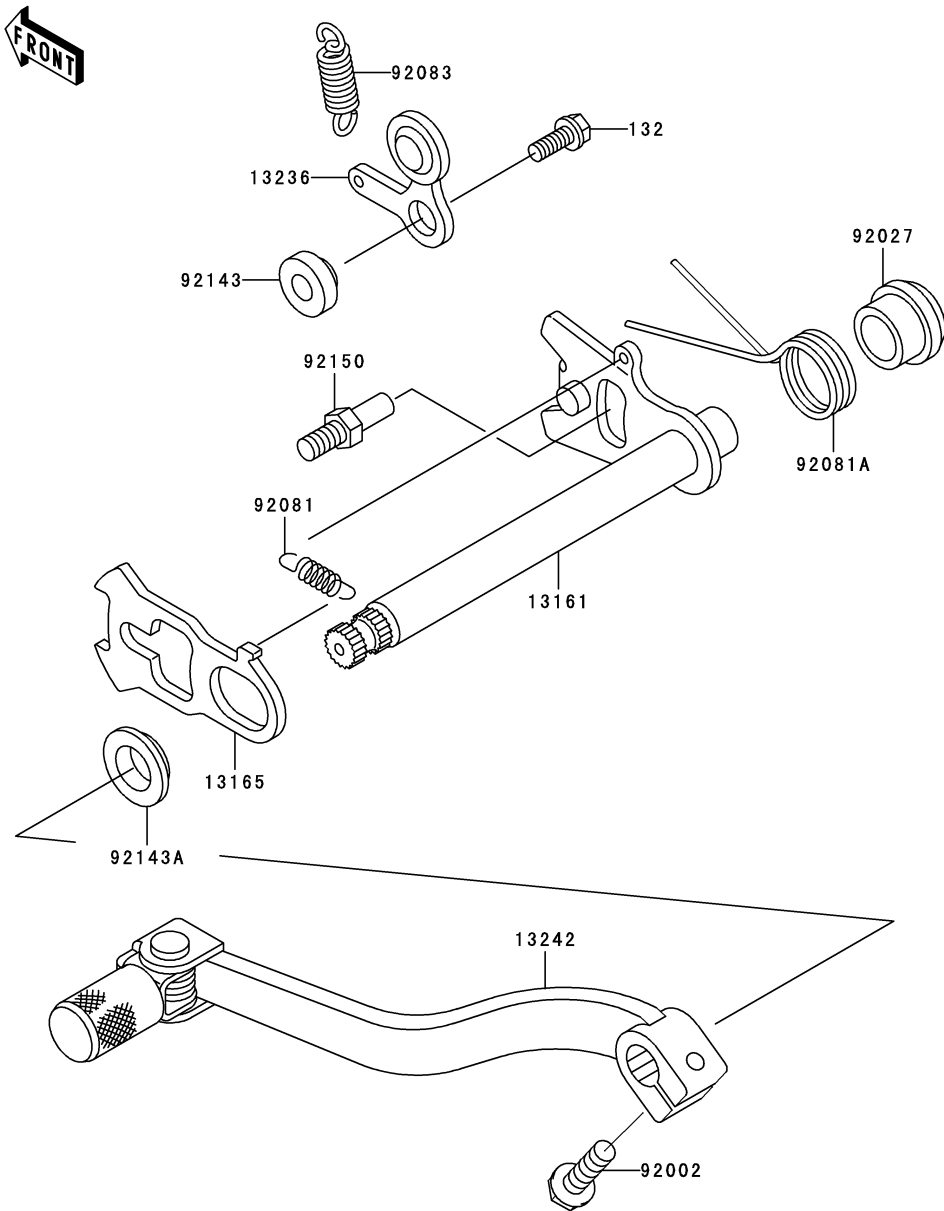
This grid covers:

**Gear Change Mechanism**

E1370

Ref. No.	Part No.	Description	Spec Code	Quantity-KX85			
				'10	'10		
				AAF	BAF		

13161	13161-1126	LEVER-COMP-CHANGE SHAFT		1	1
13165	13165-1114	PAWL,CHANGE LEVER		1	1
13236	13236-1152	LEVER-COMP,POSITION		1	1
13242	13242-1286	LEVER-ASSY-CHANGE,PEDAL		1	1
92002	92002-1237	BOLT,6X20		1	1
92027	92027-1940	COLLAR		1	1
92081	92081-076	SPRING,CHANGE LEVER		1	1
92081A	92081-1716	SPRING,CHANGE SHAFT RETURN		1	1
92083	92083-012	SPRING,CHANGE DRUM LEVER		1	1
92143	92143-1055	COLLAR		1	1
92143A	92143-1995	COLLAR		1	1
92150	92150-1467	BOLT,RETURN SPRING		1	1
132	132BA0616	BOLT-FLANGED-SMALL,6X16		1	1



This catalog covers:

# '10 KX85 AAF/BAF Engine

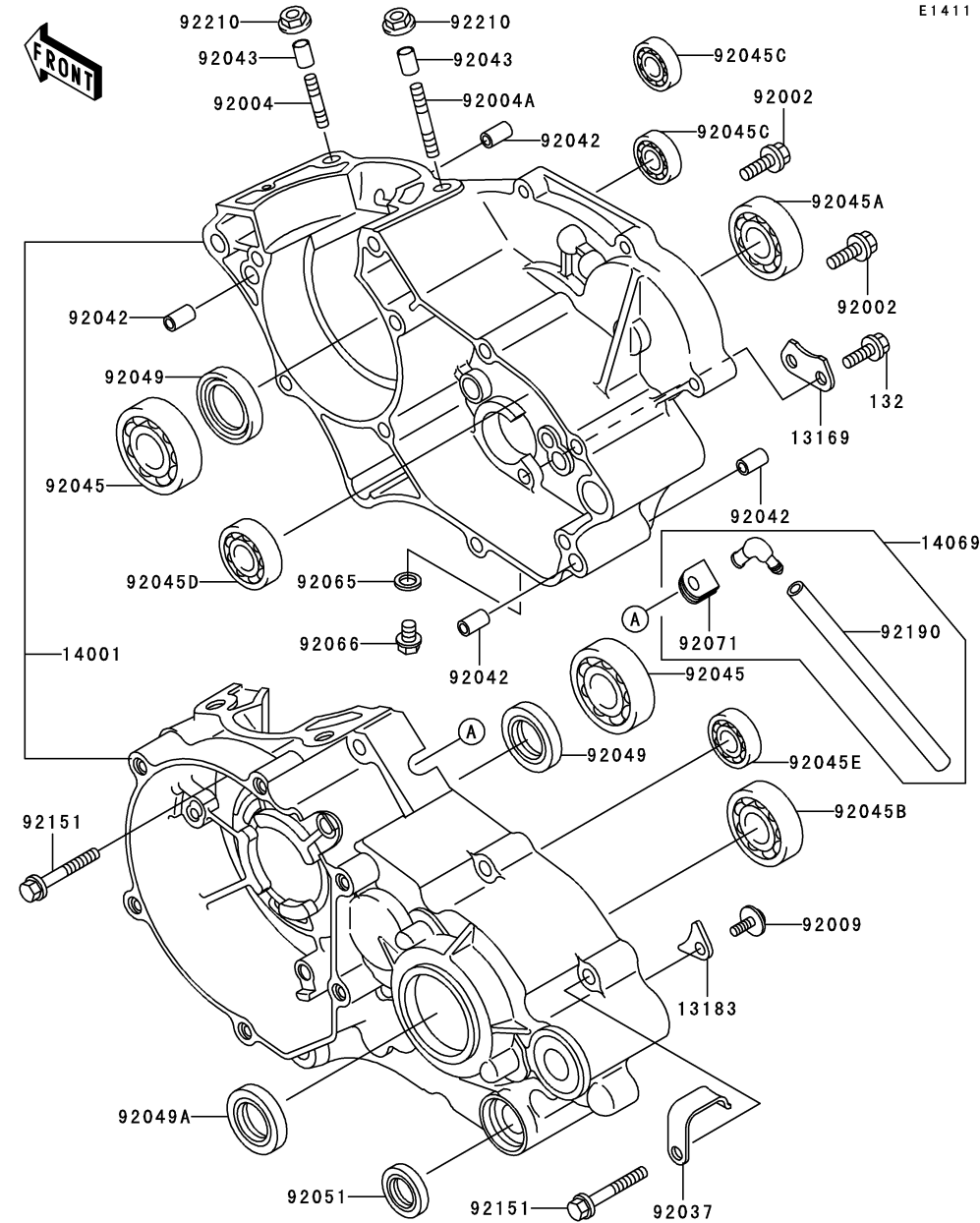
GRID NO.

**B-12**

This grid covers:

# Crankcase

E1411



Ref. No.	Part No.	Description	Quantity-KX85			
			'10	'10		
			AAF	BAF		
13169	13169-012	PLATE,CHANGE DRUM	1	1		
13183	13183-1182	PLATE	2	2		
14001	14001-0118	SET-CRANKCASE	1	1		
14069	14069-1062	BREATHER	1	1		
92002	92002-1659	BOLT,6X16	2	2		
92004	92004-1252	STUD,8X28.5	2	2		
92004A	92004-1254	STUD,8X37	2	2		
92009	92009-1563	SCREW,6X10	2	2		
92037	92037-1318	CLAMP,HARNES	1	1		
92042	92042-007	PIN,DOWEL,6.3X8X14	4	4		
92043	92043-1264	PIN,8.2X10X14	2	2		
92045	92045-1059	BEARING-BALL,R-6304C3	2	2		
92045A	92045-1118	BEARING-BALL,6004TMB	1	1		
92045B	92045-1226	BEARING-BALL,6204	1	1		
92045C	92045-1304	BEARING-BALL,626MC3	2	2		
92045D	92045-1360	BEARING-BALL,TMB002	1	1		
92045E	92045-1450	BEARING-BALL,16101JRX3	1	1		
92049	92049-1188	SEAL-OIL,SD20407GS	2	2		
92049A	92049-1292	SEAL-OIL,TC25375	1	1		
92051	92051-005	SEAL-OIL,TB13225.5	1	1		
92065	92065-058	GASKET,10.5X16X1	1	1		
92066	92066-1437	PLUG,DRAIN	1	1		
92071	92071-042	GROMMET,BREATHER	1	1		
92151	92151-1135	BOLT,6X35	9	9		
92190	92190-1116	TUBE,6X9X330	1	1		
92210	92210-0076	NUT,8MM	4	4		
132	132BA0612	BOLT-FLANGED-SMALL,6X12	2	2		

This catalog covers:

'10 KX85 AAF/BAF Engine

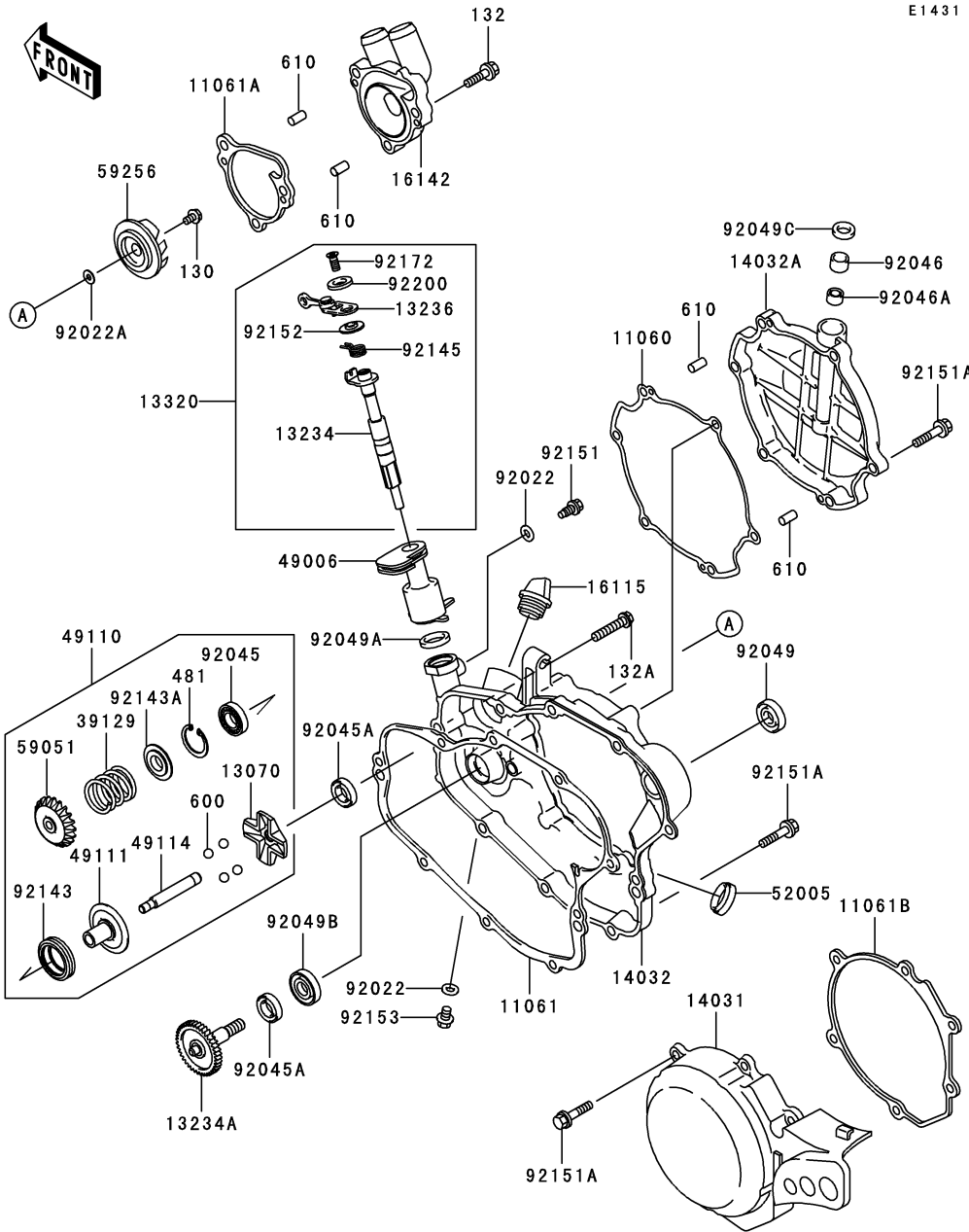
GRID NO.

**B-13**

This grid covers:

**Engine Cover(s)(1/2)**

E1431



Ref. No.	Part No.	Description	Spec Code	Quantity-KX85			
				'10	'10		
				AAF	BAF		
11060	11060-1795	GASKET,CLUTCH COVER	1	1			
11061	11061-0122	GASKET,CLUTCH COVER	1	1			
11061A	11061-0184	GASKET,PUMP COVER	1	1			
11061B	11061-0194	GASKET,GENERATOR COVER	1	1			
13070	13070-1309	GUIDE,GOVERNOR	1	1			
13234	13234-0008	SHAFT-COMP	1	1			
13234A	13234-1103	SHAFT-COMP,WATER PUMP	1	1			
13236	13236-0023	LEVER-COMP	1	1			
13320	13320-0002	LEVER-ASSY	1	1			
14031	14031-0108	COVER-GENERATOR	1	1			
14032	14032-0041	COVER-CLUTCH,INSIDE	1	1			
14032A	14032-0134	COVER-CLUTCH,OUTSIDE	1	1			
16115	16115-018	CAP-OIL FILLER	1	1			
16142	16142-1144	COVER-PUMP,WATER	1	1			
39129	39129-1022	SPRING-GOVERNOR	1	1			
49006	49006-1313	BOOT,GOVERNOR	1	1			
49110	49110-0010	GOVERNOR-ASSY	1	1			
49111	49111-1064	HOLDER-GOVERNOR WEIGHT	1	1			
49114	49114-0005	SHAFT-GOVERNOR	1	1			
52005	52005-0019	GAUGE,OIL LEVEL	1	1			
59051	59051-1412	GEAR-SPUR	1	1			
59256	59256-1064	IMPELLER	1	1			
92022	92022-077	WASHER,6.1X12X1	2	2			
92022A	92022-1380	WASHER,5.2X13X1	1	1			
92045	92045-0010	BEARING-BALL	1	1			
92045A	92045-1305	BEARING-BALL,608MC3	2	2			
92046	92046-1160	BEARING-NEEDLE,HK1010	1	1			
92046A	92046-1217	BEARING-NEEDLE,6BTM109	1	1			
92049	92049-002	SEAL-OIL,SB16244	1	1			
92049A	92049-1262	SEAL-OIL,AG0353-F0	1	1			
92049B	92049-1366	SEAL-OIL,MHSD8X18X10J-1	1	1			
92049C	92049-1414	SEAL-OIL,BG1408F0	1	1			
92143	92143-1932	COLLAR	1	1			
92143A	92143-1933	COLLAR	1	1			
92145	92145-0089	SPRING	1	1			
92151	92151-1180	BOLT,FLANGED,M6X11	1	1			
92151A	92151-1930	BOLT,FLANGED-SMALL,6X25	20	20			
92152	92152-0085	COLLAR,LEVER	1	1			
92153	92153-1005	BOLT,FLANGED,M6X8	1	1			
92172	92172-0087	SCREW,6X14	1	1			

This catalog covers:

'10 KX85 AAF/BAF Engine

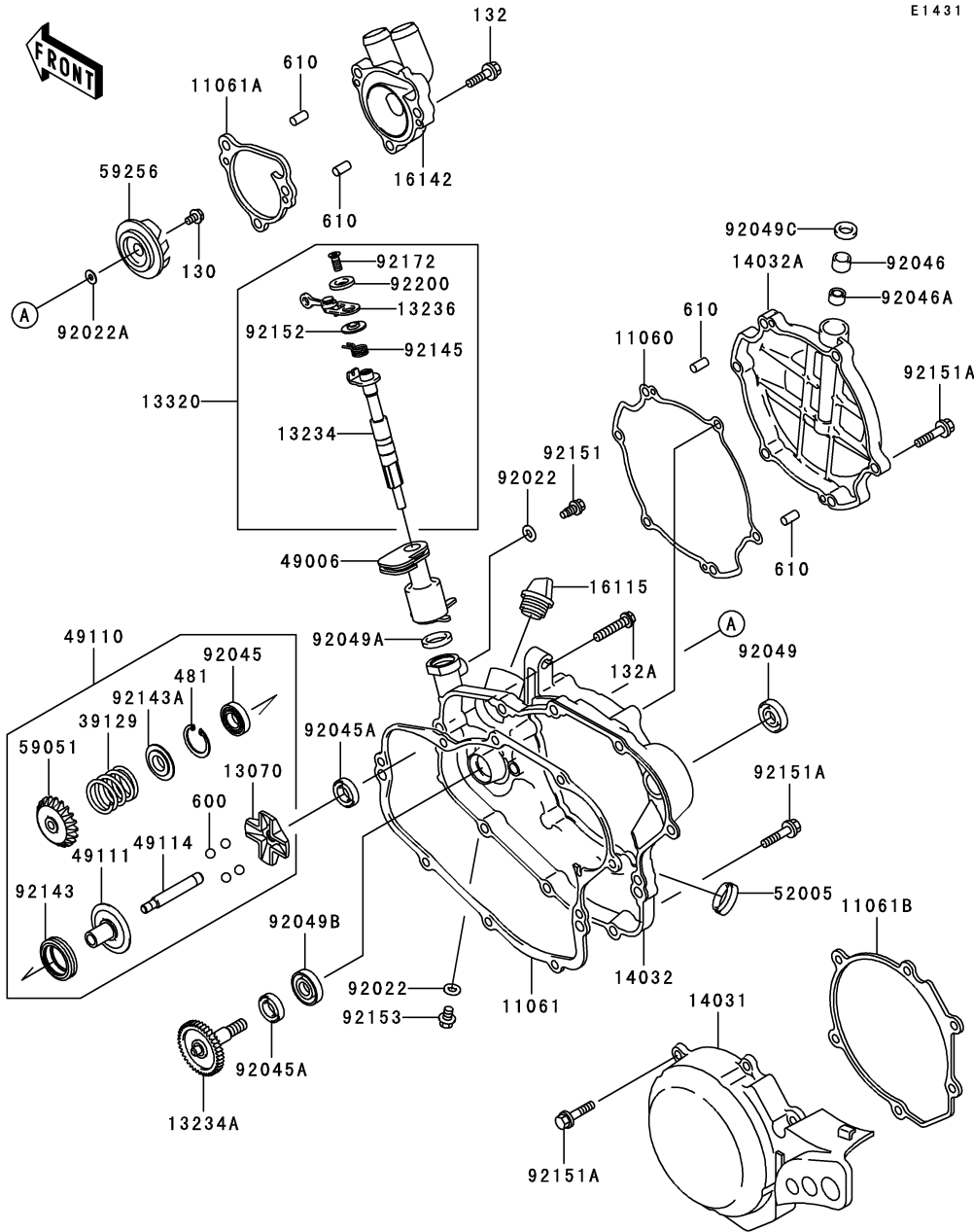
GRID NO.

**B-14**

This grid covers:

**Engine Cover(s)(2/2)**

E1431



Ref. No.	Part No.	Description	Quantity-KX85			
			'10			
			AAF	BAF		

92200	92200-0040	WASHER, LEVER	1	1		
130	130CA0510	BOLT-FLANGED, 5X10	1	1		
132	132BC0620	BOLT-FLANGED-SMALL, 6X20	3	3		
132A	132BC0630	BOLT-FLANGED-SMALL, 6X30	1	1		
481	481J2400	CIRCLIP	1	1		
600	600A1000	BALL-STEEL, 5/16"	4	4		
610	610A0408	ROLLER, 4X8	4	4		

This catalog covers:

'10 KX85 AAF/BAF Engine

GRID NO.

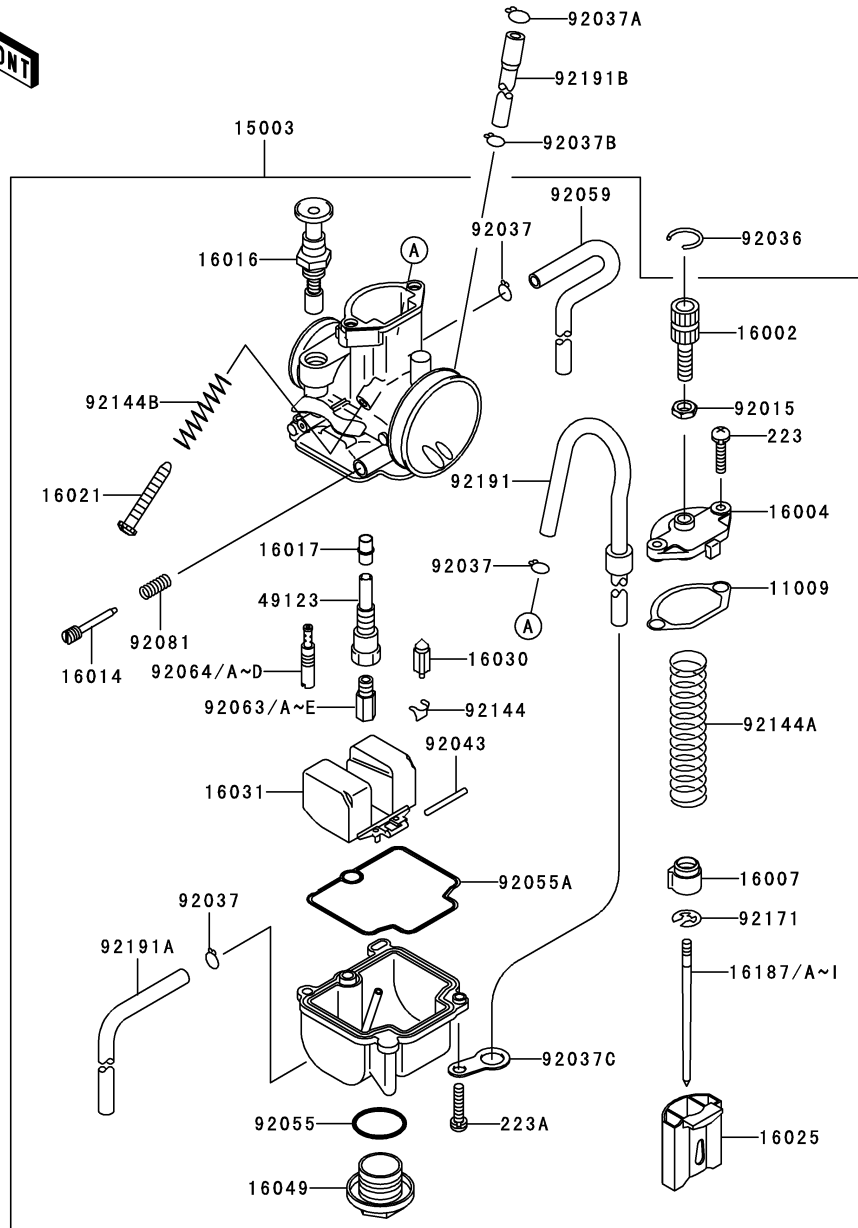
**C-3**

This grid covers:

**Carburetor(1/2)**

E1611

Ref. No.	Part No.	Description	Spec Code	Quantity-KX85			
				'10	'10		
				AAF	BAF		
11009	11009-1759	GASKET,MIXING CHAMBER		1	1		
15003	15003-1617	CARBURETOR-ASSY		1	1		
16002	16002-1056	ADJUSTER-CABLE		1	1		
16004	16004-1065	CAP-CHAMBER,MIXING		1	1		
16007	16007-1155	SEAT-SPRING,THROTTLE VALVE		1	1		
16014	16014-1058	SCREW-PILOT AIR		1	1		
16016	16016-1075	PLUNGER,STARTER		1	1		
16017	16017-1431	JET-NEEDLE		1	1		
16021	16021-1161	SCREW-THROTTLE STOP		1	1		
16025	16025-1220	VALVE-THROTTLE,CA3.5		1	1		
16030	16030-1064	VALVE-FLOAT		1	1		
16031	16031-1065	FLOAT		1	1		
16049	16049-1051	COVER-MAIN JET		1	1		
16187	16187-1176	NEEDLE-JET,NAPC		AR	AR		
16187A	16187-1177	(OPTION) NEEDLE-JET,NAPD		AR	AR		
16187B	16187-1178	NEEDLE-JET,NAPE		1	1		
16187C	16187-1179	NEEDLE-JET,NAPF		AR	AR		
16187D	16187-1180	(OPTION) NEEDLE-JET,NAPG		AR	AR		
16187E	16187-1182	(OPTION) NEEDLE-JET,NAQC		AR	AR		
16187F	16187-1183	(OPTION) NEEDLE-JET,NAQD		AR	AR		
16187G	16187-1184	(OPTION) NEEDLE-JET,NAQE		AR	AR		
16187H	16187-1185	(OPTION) NEEDLE-JET,NAQF		AR	AR		
16187I	16187-1186	(OPTION) NEEDLE-JET,NAQG		AR	AR		
49123	49123-1054	HOLDER-MAIN JET		1	1		
92015	92015-1574	NUT,CABLE ADJUST LOCK		1	1		
92036	92036-018	RING-SNAP		1	1		
92037	92037-1396	CLAMP,TUBE		3	3		
92037A	92037-147	CLAMP,TUBE		1	1		
92037B	92037-1712	CLAMP		1	1		
92037C	92037-1969	CLAMP,HOSE		1	1		
92043	92043-1207	PIN,FLOAT		1	1		
92055	92055-1167	RING-O,MAIN JET COVER		1	1		



This catalog covers:

'10 KX85 AAF/BAF Engine

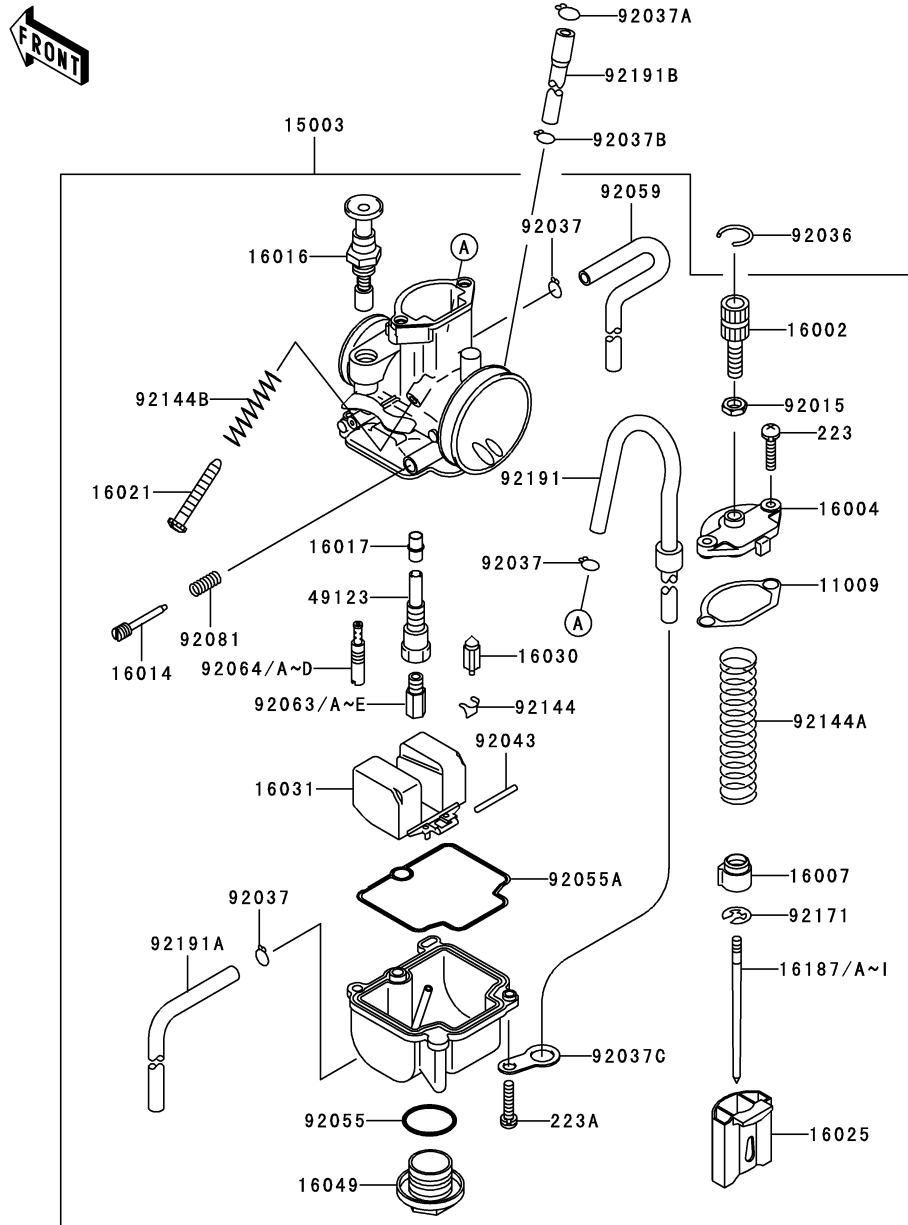
GRID NO.

**C-4**

This grid covers:

**Carburetor(2/2)**

E1611



Ref. No.	Part No.	Description	Spec Code	Quantity-KX85			
				'10	'10		
				AAF	BAF		
92055A	92055-1389	RING-O,FLOAT CHAMBER		1	1		
92059	92059-1941	TUBE,4X7X360		1	1		
92063	92063-1338	JET-MAIN,#135		1	1		
	(OPTION)						
92063A	92063-1359	JET-MAIN,#138		1	1		
	(OPTION)						
92063B	92063-1360	JET-MAIN,#140		1	1		
	(OPTION)						
92063C	92063-1361	JET-MAIN,#142		1	1		
	(OPTION)						
92063D	92063-1362	JET-MAIN,#145		1	1		
	(OPTION)						
92063E	92063-1364	JET-MAIN,#150		1	1		
	(OPTION)						
92064	92064-1140	JET-PILOT,#40		1	1		
	(OPTION)						
92064A	92064-1141	JET-PILOT,#42		1	1		
	(OPTION)						
92064B	92064-1142	JET-PILOT,#45		1	1		
92064C	92064-1143	JET-PILOT,#48		1	1		
	(OPTION)						
92064D	92064-1144	JET-PILOT,#50		1	1		
	(OPTION)						
92081	92081-1555	SPRING,ADJUST SCREW		1	1		
92144	92144-1178	SPRING,FLOAT VALVE		1	1		
92144A	92144-1566	SPRING,THROTTLE VALVE		1	1		
92144B	92144-1782	SPRING,THROTTLE STOP SCREW		1	1		
92171	92171-1323	CLAMP		1	1		
92191	92191-1243	TUBE,4X7X560		1	1		
92191A	92191-1591	TUBE,4X7X420		1	1		
92191B	92191-1610	TUBE		1	1		
	223	223AB0414		2	2		
	223A	223AB0416		2	2		



This catalog covers:

'10 KX85 AAF/BAF Engine

GRID NO.

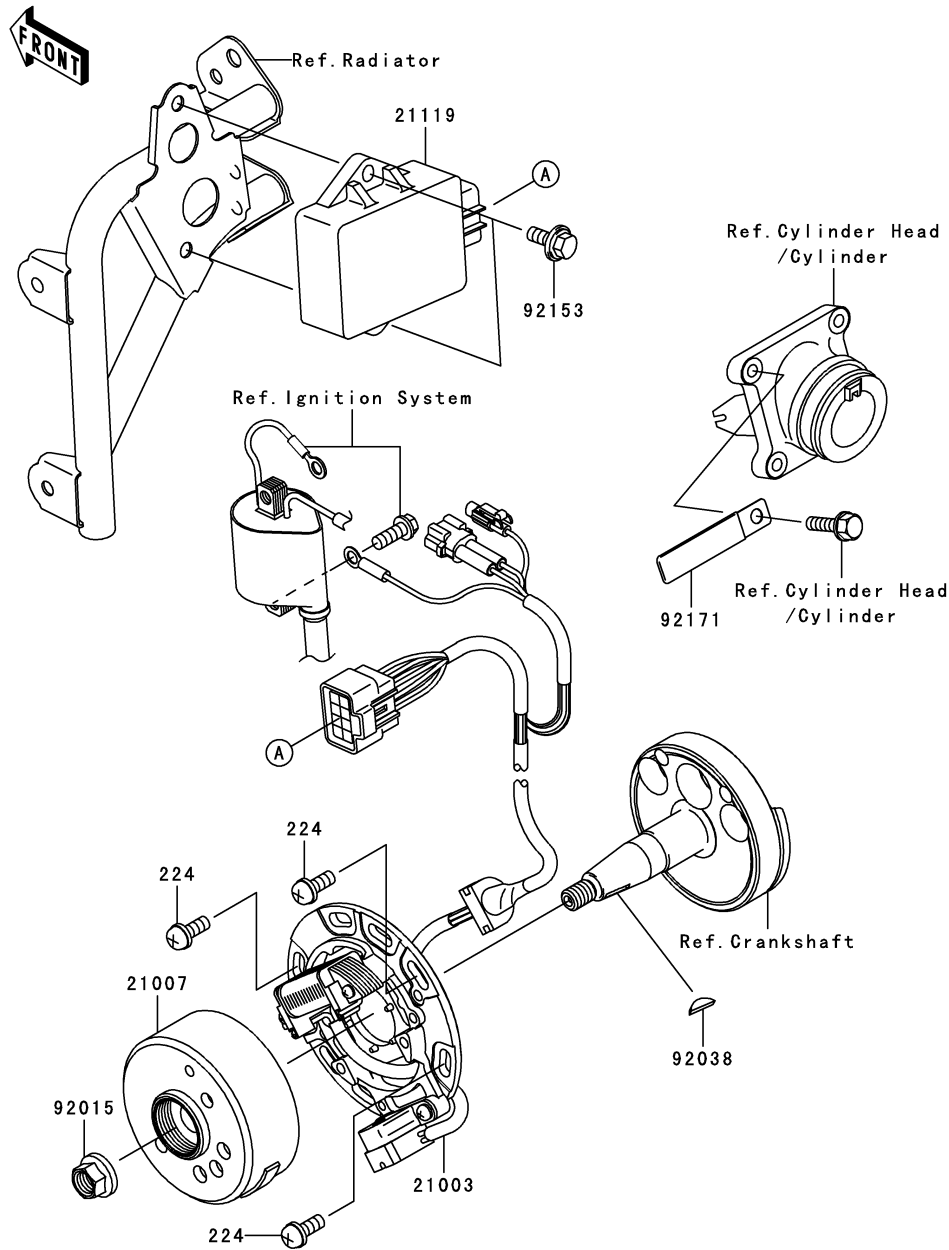
**C-5**

This grid covers:

**Generator**

E1810

Ref. No.	Part No.	Description	Spec Code	Quantity-KX85			
				'10 AAF	'10 BAF		
21003	21003-0032	STATOR		1	1		
21007	21007-0073	ROTOR		1	1		
21119	21119-0048	IGNITER		1	1		
92015	92015-077	NUT,FLANGED,10MM		1	1		
92038	92038-001	KEY,WOODRUFF		1	1		
92153	92153-0863	BOLT,6X16		2	2		
92171	92171-0652	CLAMP		1	1		
224	224AA0614	SCREW-PAN-WP-CROS,6X14		3	3		



This catalog covers:

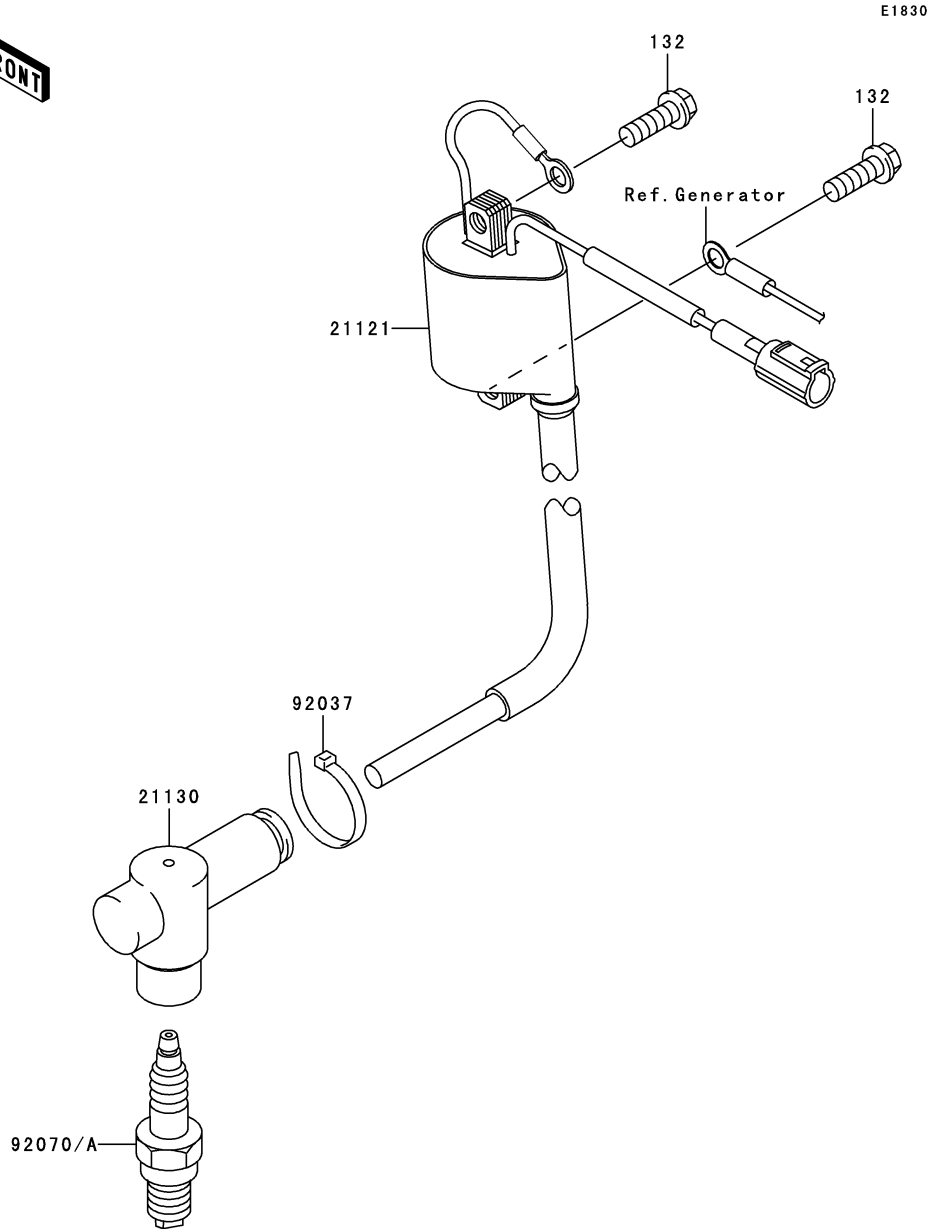
'10 KX85 AAF/BAF Engine

GRID NO.

**C-6**

This grid covers:

**Ignition System**



Ref. No.	Part No.	Description	Spec Code	Quantity-KX85			
				'10 AAF	'10 BAF		
21121	21121-0022	COIL-IGNITION		1	1		
21130	21130-1077	CAP-SPARK PLUG		1	1		
92037	92037-1173	CLAMP		1	1		
92070	92070-1228	PLUG-SPARK,BR9EVX(NGK),SOLID		AR	AR		
	(OPTION)						
92070A	92070-1241	PLUG-SPARK,R6252K-105NGK,SOLID		1	1		
132	132BC0618	BOLT-FLANGED-SMALL,6X18		2	2		

This catalog covers:

# '10 KX85 AAF/BAF Engine

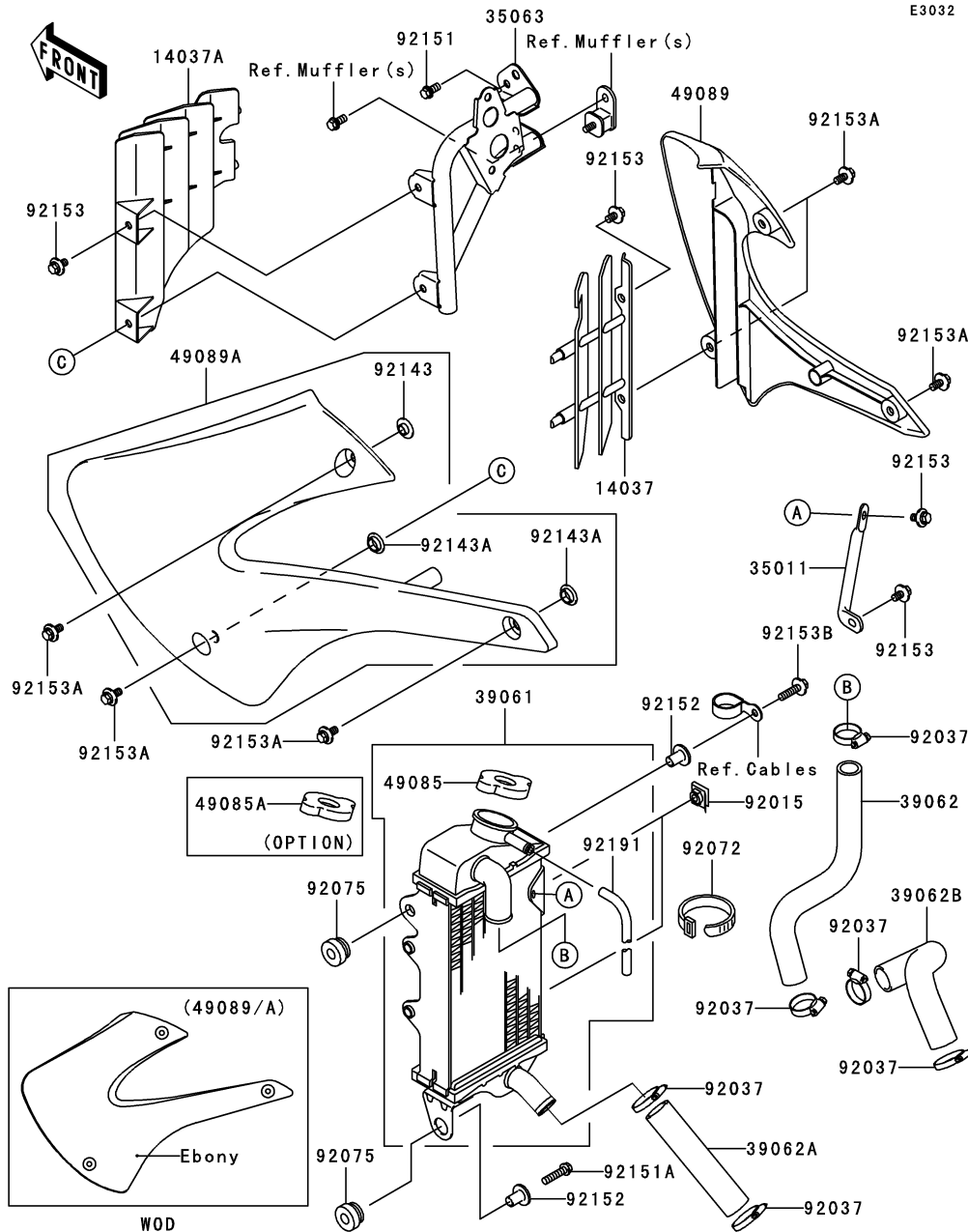
GRID NO.

**C-7**

This grid covers:

# Radiator

E3032



Ref. No.	Part No.	Description	Spec Code	Quantity-KX85			
				'10	'10		
				AAF	BAF		
14037	14037-1249-6D	SCREEN,RH,BLACK		1	1		
14037A	14037-1282-6D	SCREEN,LH,BLACK		1	1		
35011	35011-1845	STAY		1	1		
35063	35063-1137	STAY		1	1		
39061	39061-1245	RADIATOR-ASSY		1	1		
39062	39062-1425	HOSE-COOLING,HEAD-RADIATOR		1	1		
39062A	39062-1711	HOSE-COOLING,RADIATOR-PUMP		1	1		
39062B	39062-1712	HOSE-COOLING,CYLINDER PUMP		1	1		
49085	49085-1070	CAP-ASSY-PRESSURE,P1.1		1	1		
49085A	49085-1073	CAP-ASSY-PRESSURE,P1.6		1	1		
	(OPTION)						
49089	49089-1139-6C	SHROUD-ENGINE,RH,EBONY		1	1		
49089A	49089-1146-6C	SHROUD-ENGINE,LH,EBONY		1	1		
92015	92015-1487	NUT		2	2		
92037	92037-1589	CLAMP,COOLING HOSE		6	6		
92072	92072-056	BAND,L=186		1	1		
92075	92075-1352	DAMPER		2	2		
92143	92143-1087	COLLAR		1	1		
92143A	92143-1196	COLLAR		2	2		
92151	92151-1133	BOLT,6X12		1	1		
92151A	92151-1930	BOLT,FLANGED-SMALL,6X25		1	1		
92152	92152-0666	COLLAR		2	2		
92153	92153-0503	BOLT,6X12		4	4		
92153A	92153-0936	BOLT,FLANGED,6X14		6	6		
92153B	92153-1008	BOLT,FLANGED WP,6X25		1	1		
92191	92191-1211	TUBE,6X9X700		1	1		

This catalog covers:

'10 KX85 AAF/BAF Chassis

GRID NO.

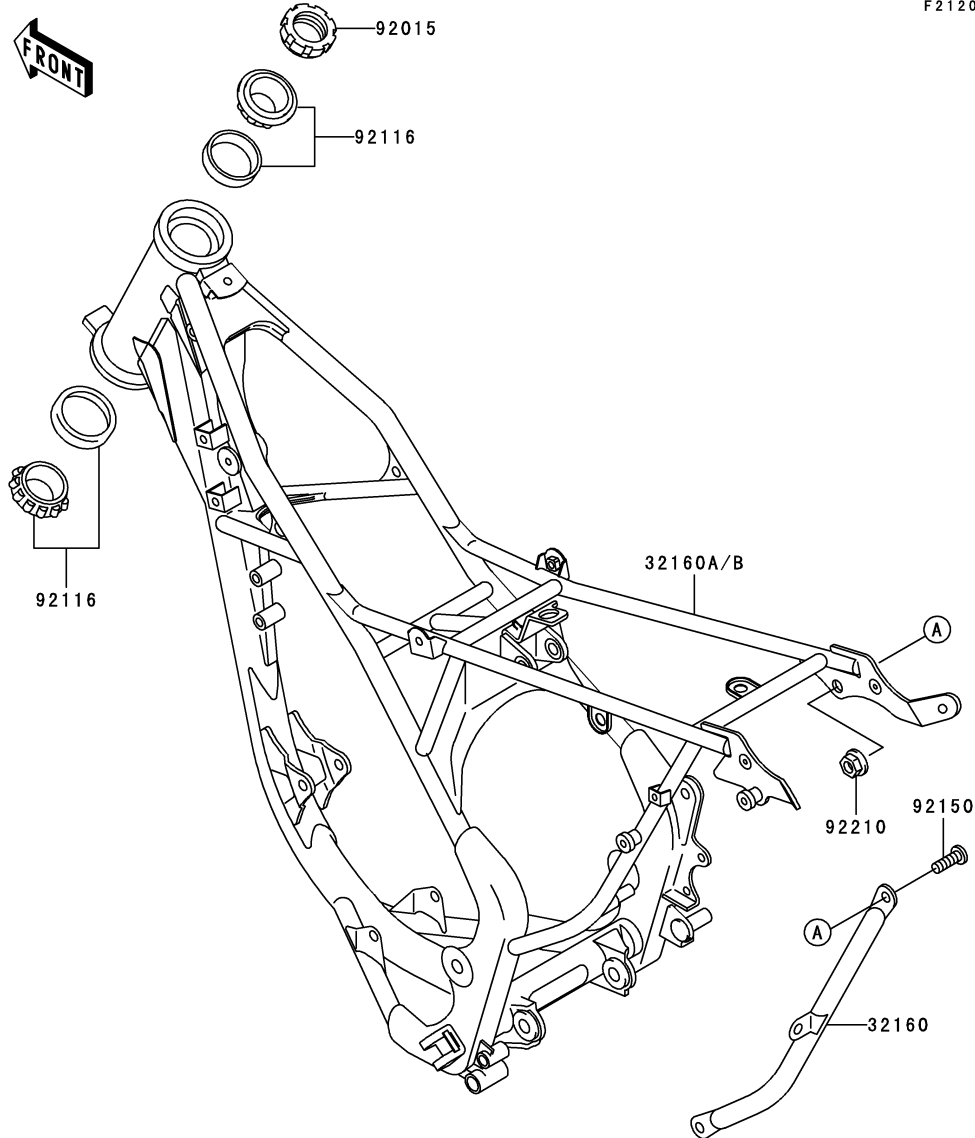
**D-3**

This grid covers:

**Frame**

F2120

Ref. No.	Part No.	Description	Spec Code	Quantity-KX85			
				'10 AAF	'10 BAF		
32160	32160-1486-18R	FRAME-COMP,DOWNTUBE,RH,BLACK		1	1		
32160A	32160-1667-18R	FRAME-COMP,MAIN,F.S.BLACK		1			
32160B	32160-1673-18R	FRAME-COMP,MAIN,F.S.BLACK			1		
92015	92015-1684	NUT,STEERING STEM,25MM		1	1		
92116	92116-1065	BEARING-ROLLER,H1-CAP32005JRRS		2	2		
92150	92150-1221	BOLT,SOCKET,10X23		2	2		
92210	92210-1080	NUT,LOCK,FLANGED,10MM		2	2		



This catalog covers:

'10 KX85 AAF/BAF Chassis

GRID NO.

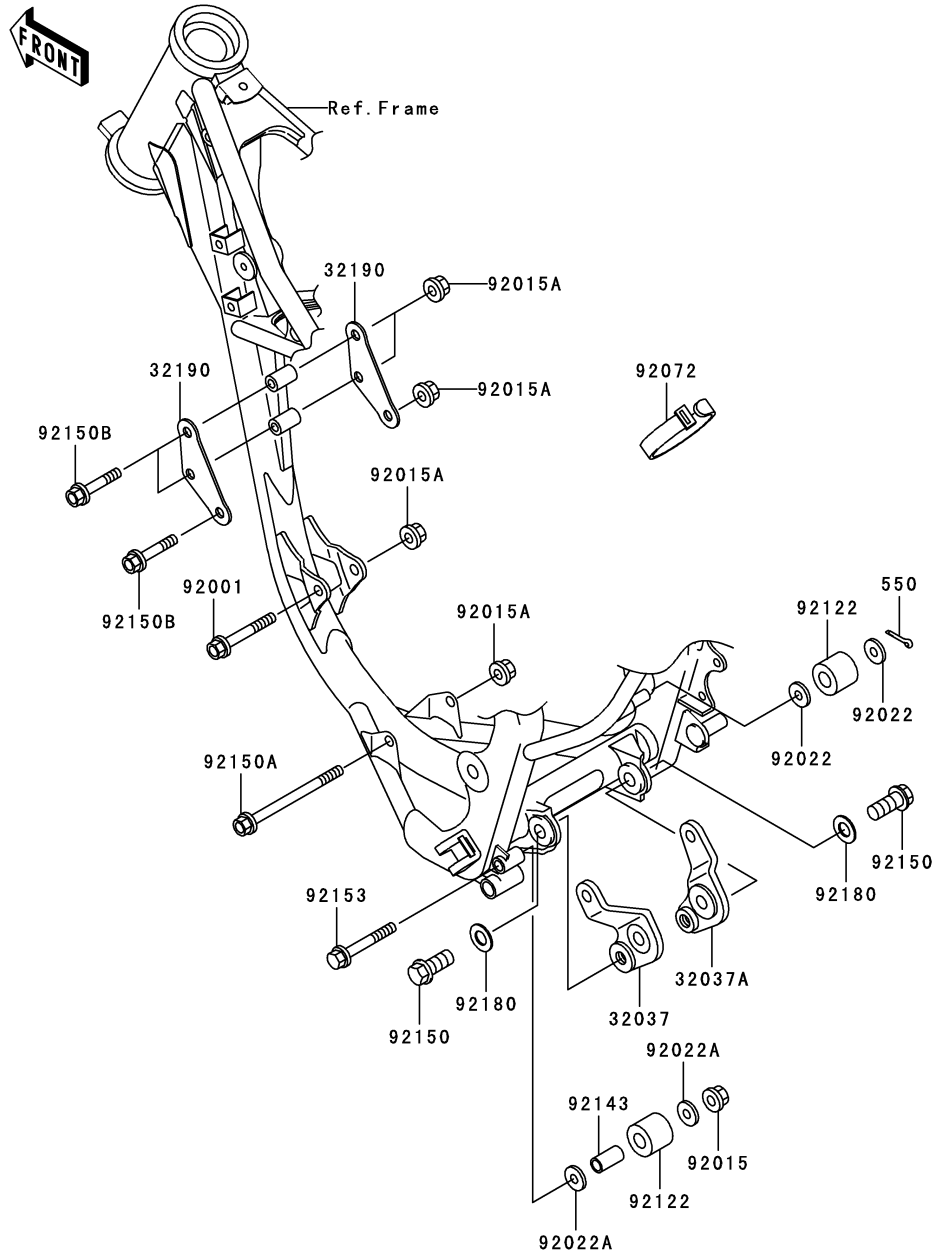
**D-4**

This grid covers:

**Engine Mount**

F2122

Ref. No.	Part No.	Description	Spec Code	Quantity-KX85			
				'10	'10		
				AAF	BAF		
32037	32037-1552	BRACKET-SHOCKABSORBER,LH		1	1		
32037A	32037-1553	BRACKET-SHOCKABSORBER,RH		1	1		
32190	32190-1119	BRACKET-ENGINE,HEAD		2	2		
92001	92001-1006	BOLT,FLANGED,8X63		1	1		
92015	92015-1143	NUT,8MM		1	1		
92015A	92015-1432	NUT,8MM		5	5		
92022	92022-107	WASHER		2	2		
92022A	92022-1561	WASHER,8.5X20X1.6		2	2		
92072	92072-1293	BAND,L=140		3	3		
92122	92122-1213	ROLLER,CHAIN GUIDE		2	2		
92143	92143-1432	COLLAR,9.5X12.7X25		1	1		
92150	92150-1359	BOLT,FLANGED,12X27		2	2		
92150A	92150-1482	BOLT,FLANGED,8X105		1	1		
92150B	92150-1487	BOLT,FLANGED,8X45		3	3		
92153	92153-1012	BOLT,FLANGED,8X60		1	1		
92180	92180-1060	SHIM,12.5X24X0.5		2	2		
550	550AA2518	PIN-COTTER,2.5X18		1	1		



This catalog covers:

'10 KX85 AAF/BAF Chassis

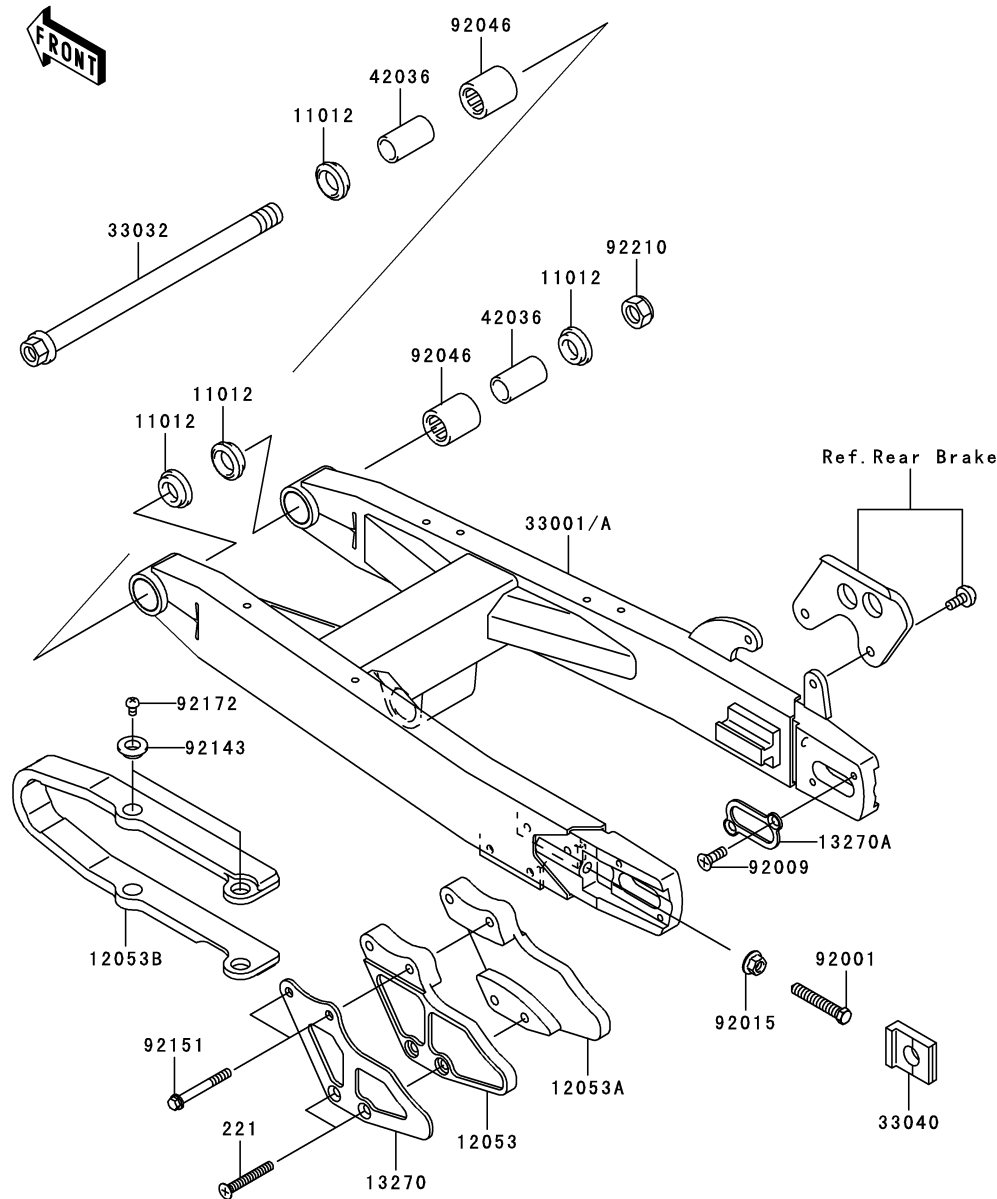
GRID NO.

**D-5**

This grid covers:

**Swingarm**

F2141



Ref. No.	Part No.	Description	Spec Code	Quantity-KX85			
				'10	'10		
				AAF	BAF		
11012	11012-1263	CAP	4	4			
12053	12053-1203	GUIDE-CHAIN,RR,LH	1	1			
12053A	12053-1204	GUIDE-CHAIN,RR,RH	1	1			
12053B	12053-1414	GUIDE-CHAIN,FR	1	1			
13270	13270-1829	PLATE,GUIDE CHAIN	1	1			
13270A	13270-1899	PLATE	2	2			
33001	33001-1542-458	ARM-COMP-SWING,P,SILVER	1				
33001A	33001-1543-458	ARM-COMP-SWING,P,SILVER		1			
33032	33032-1161	SHAFT-SWING ARM	1	1			
33040	33040-1173	ADJUSTER-CHAIN	2	2			
42036	42036-1067	SLEEVE,SWING ARM,L=34	2	2			
92001	92001-1179	BOLT,8X46	2	2			
92009	92009-1828	SCREW,5X10	4	4			
92015	92015-1014	NUT,FLANGED,8MM	2	2			
92046	92046-1046	BEARING-NEEDLE	2	2			
92143	92143-1676	COLLAR	4	4			
92151	92151-1234	BOLT,6X50	2	2			
92172	92172-0119	SCREW,5X8	4	4			
92210	92210-1249	NUT,LOCK,12MM	1	1			
221	221AA0645	SCREW-CSK-CROS,6X45	2	2			

This catalog covers:

'10 KX85 AAF/BAF Chassis

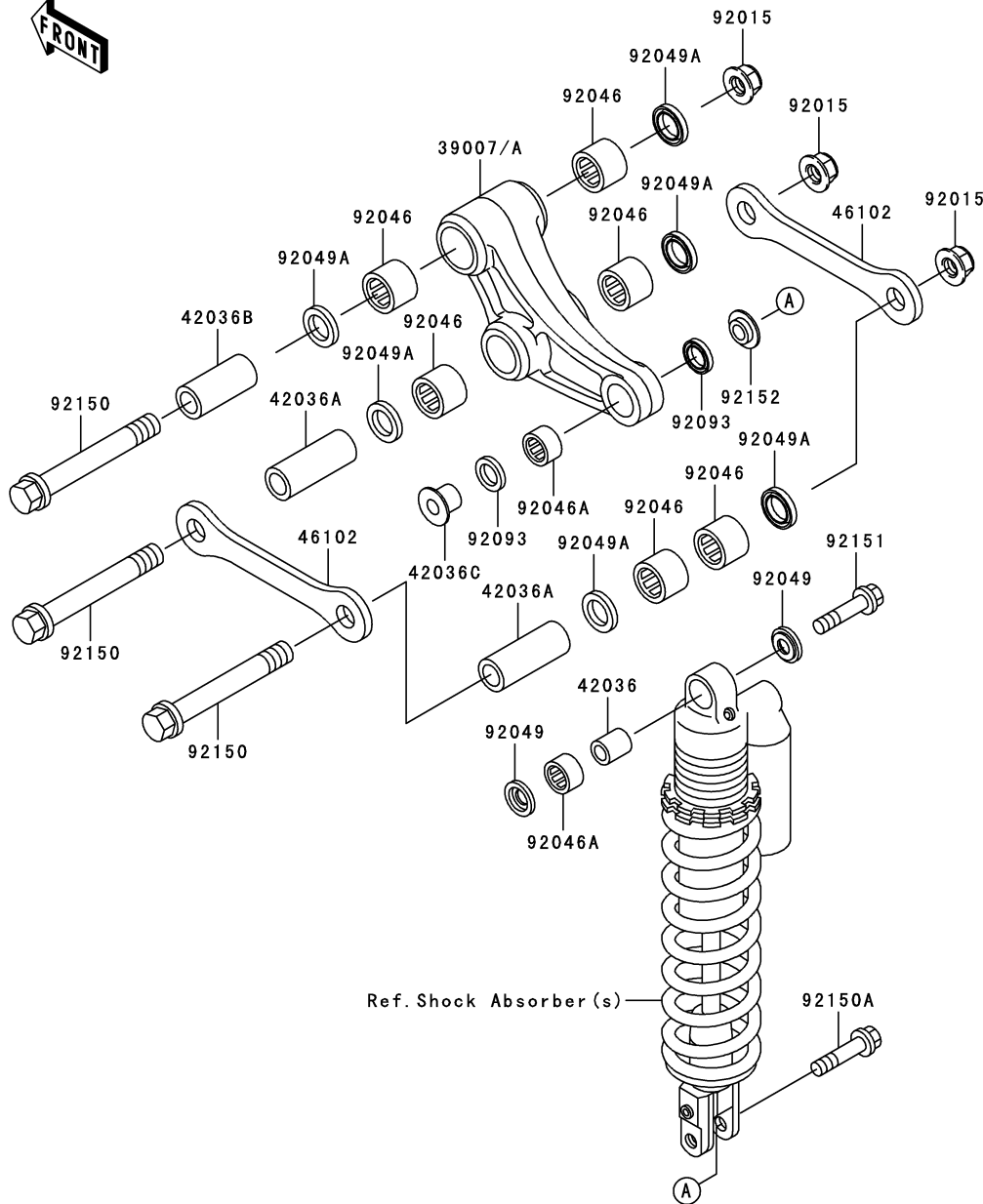
GRID NO.

**D-6**

This grid covers:

**Suspension**

F2150



Ref. No.	Part No.	Description	Spec Code	Quantity-KX85			
				'10	'10		
				AAF	BAF		
39007	39007-1261	ARM-SUSP,UNI TRAK		1			
39007A	39007-1262	ARM-SUSP,UNI TRAK			1		
42036	42036-1248	SLEEVE,10X16X19		1	1		
42036A	42036-1273	SLEEVE,12X18X57		2	2		
42036B	42036-1274	SLEEVE,12X18X49		1	1		
42036C	42036-1351	SLEEVE		1	1		
46102	46102-1291	ROD,SUSPENSION		2	2		
92015	92015-1433	NUT,LOCK,FLANGED,12MM		3	3		
92046	92046-1144	BEARING-NEEDLE,18BM2416		6	6		
92046A	92046-1192	BEARING-NEEDLE,16BM2212		2	2		
92049	92049-0069	SEAL-OIL		2	2		
92049A	92049-1328	SEAL-OIL		6	6		
92093	92093-1436	SEAL		2	2		
92150	92150-1412	BOLT,FLANGED,12X83		3	3		
92150A	92150-1711	BOLT,FLANGED,10X40		1	1		
92151	92151-1413	BOLT,FLANGED,10X45		1	1		
92152	92152-1139	COLLAR		1	1		

This catalog covers:

'10 KX85 AAF/BAF Chassis

GRID NO.

**D-7**

This grid covers:

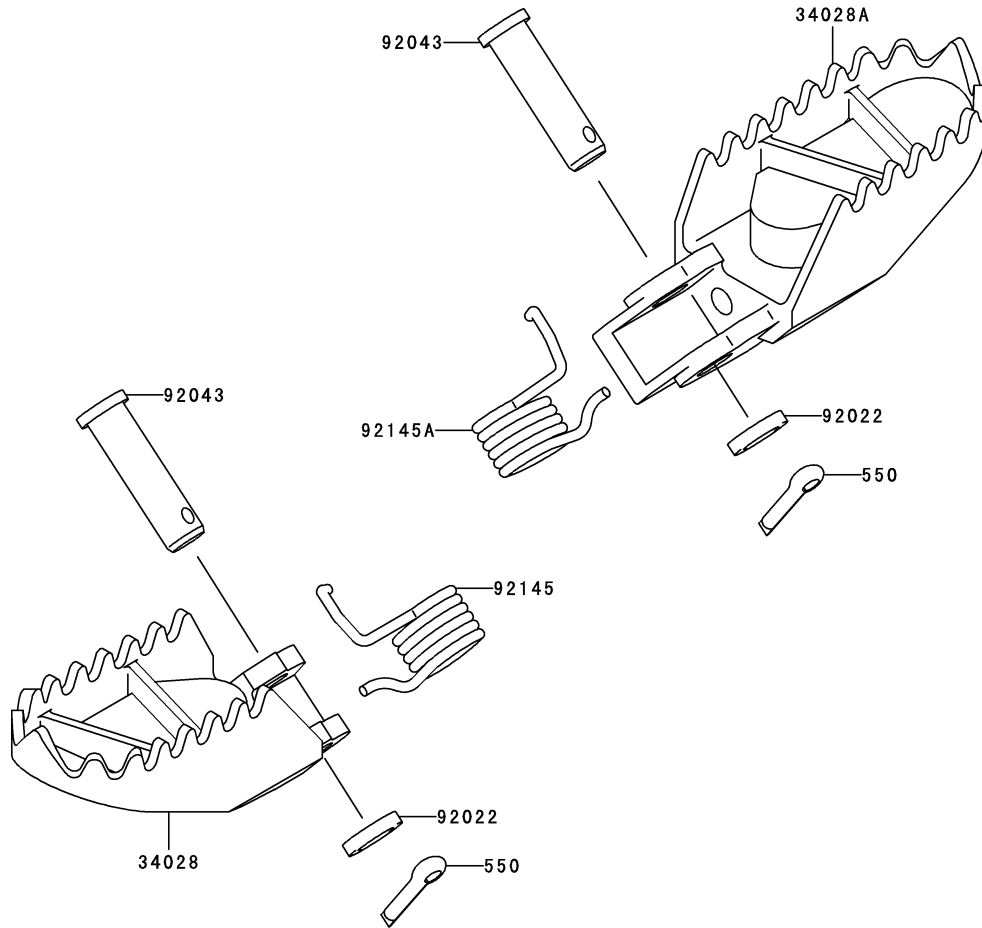
**Footrests**

F2160



Ref. No.	Part No.	Description	Spec Code	Quantity-KX85			
				'10 AAF	'10 BAF		

34028	34028-1498-CE	STEP,LH,SILVER		1	1		
34028A	34028-1499-CE	STEP,RH,SILVER		1	1		
92022	92022-1829	WASHER,10.2X16X1		2	2		
92043	92043-1643	PIN,10X37.5		2	2		
92145	92145-1106	SPRING,STEP,LH		1	1		
92145A	92145-1107	SPRING,STEP,RH		1	1		
550	550S3020	PIN-COTTER,3.0X20		2	2		





This catalog covers:

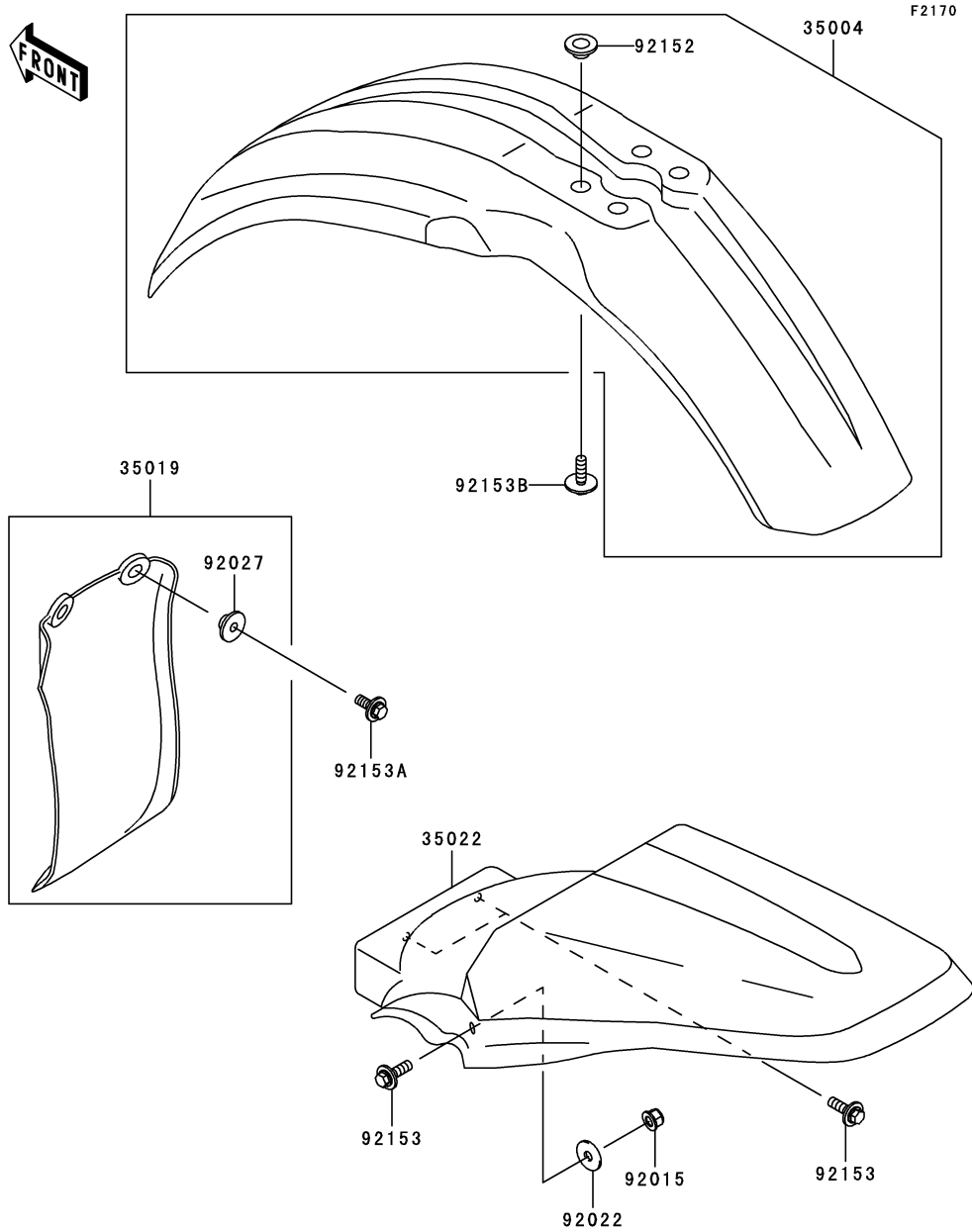
'10 KX85 AAF/BAF Chassis

GRID NO.

**D-8**

This grid covers:

**Fenders**



Ref. No.	Part No.	Description	Spec Code	Quantity-KX85			
				'10	'10		
				AAF	BAF		
35004	35004-0028-290	FENDER-FRONT,L.GREEN		1	1		
35019	35019-0080	FLAP,REAR FENDER		1	1		
35022	35022-1353-290	FENDER-COMP-REAR,L.GREEN		1	1		
92015	92015-1339	NUT,LOCK,FLANGED,6MM		2	2		
92022	92022-125	WASHER,6.5X20X1.6		2	2		
92027	92027-1757	COLLAR		2	2		
92152	92152-1255	COLLAR		4	4		
92153	92153-0502	BOLT,6X20		4	4		
92153A	92153-0863	BOLT,6X16		2	2		
92153B	92153-0864	BOLT,6X20		4	4		

This catalog covers:

'10 KX85 AAF/BAF Chassis

GRID NO.

**D-9**

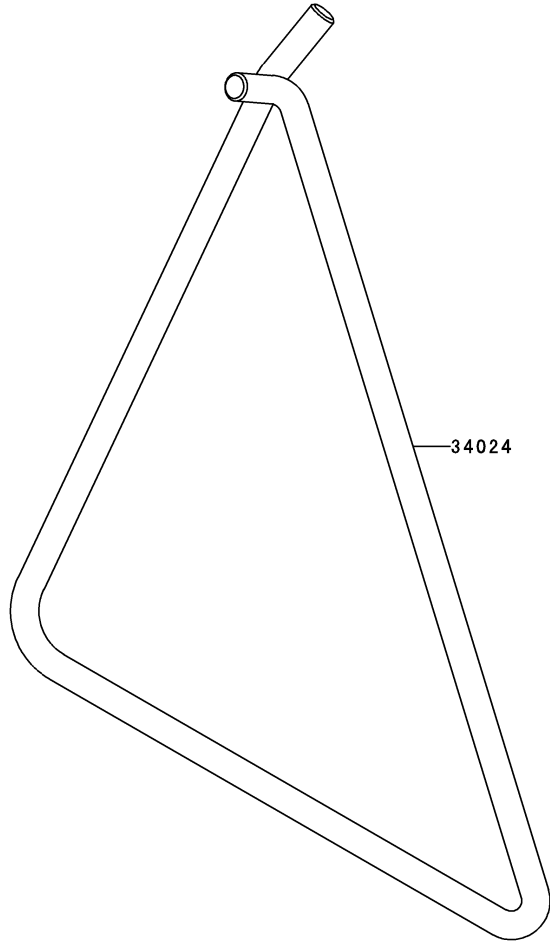
This grid covers:

**Stand(s)**



F2190

Ref. No.	Part No.	Description	Spec Code	Quantity-KX85			
				'10 AAF	'10 BAF		
34024	34024-1404-458	STAND-SIDE,P.SILVER		1	1		



This catalog covers:

'10 KX85 AAF/BAF Chassis

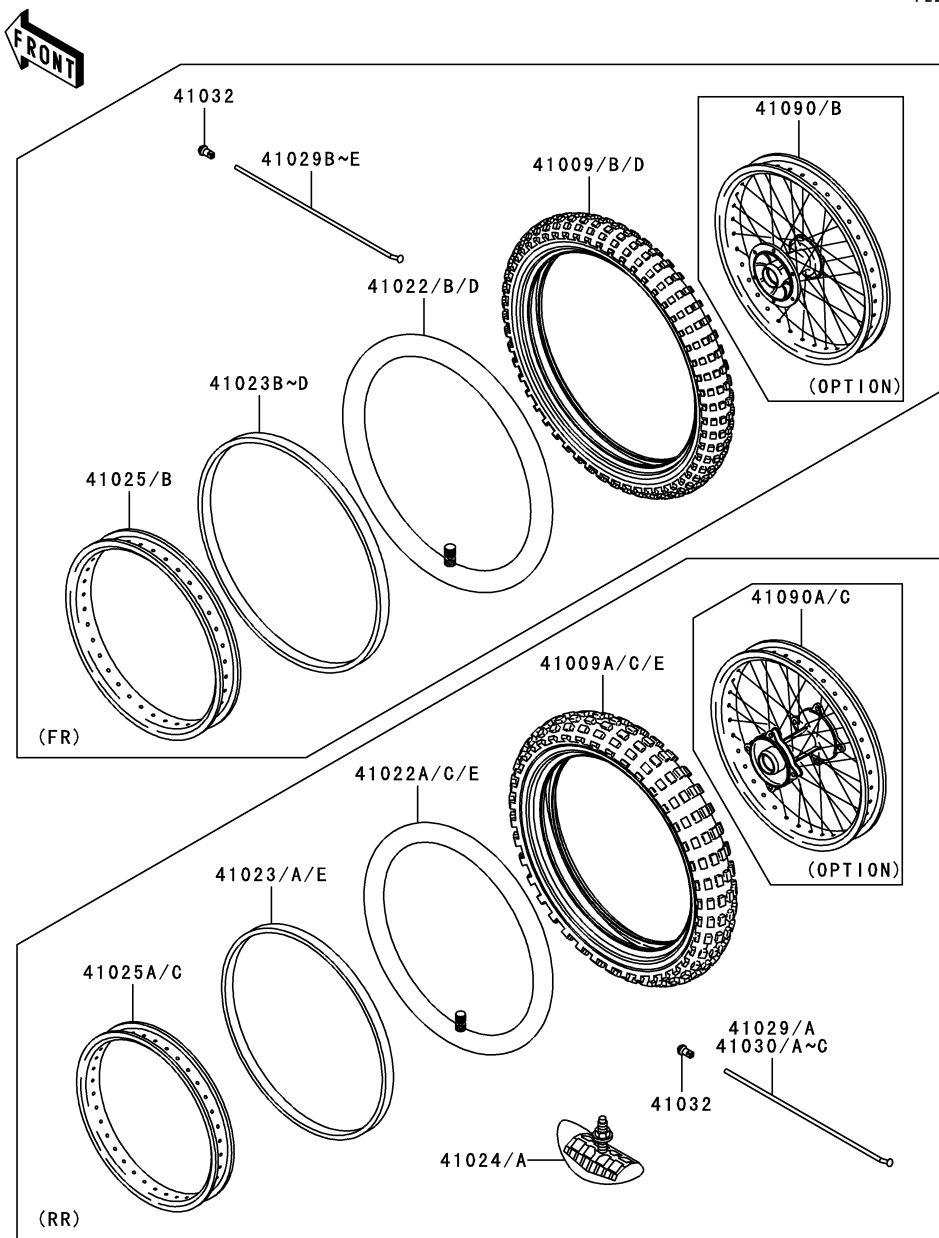
GRID NO.

**D-10**

This grid covers:

**Tires(1/2)**

F2210



Ref. No.	Part No.	Description	Spec Code	Quantity-KX85			
				'10	'10		
				AAF	BAF		
41009	41009-0051	TIRE,FR,70/100-19 42M,M401(BS)					
		L-----AS				1	
41009A	41009-0052	TIRE,RR,90/100-16 52M,M402(BS)					
		L-----AS				1	
41009B	41009-0113	TIRE,FR,70/100-17 40M,D756F(D)					1
41009C	41009-0114	TIRE,RR,90/100-14 49M,D756(D)					1
41009D	41009-0115	TIRE,FR,70/100-19 42M,D756F(D)					
		L-----EU				1	
41009E	41009-0116	TIRE,RR,90/100-16 52M,D756(D)					
		L-----EU				1	
41022	41022-1121	TUBE-TIRE,FR,70/100-19(D)					
		L-----EU				1	
41022A	41022-1122	TUBE-TIRE,90/100-16(D)					
		L-----EU				1	
41022B	41022-1124	TUBE-TIRE,70/100-17(D)					1
41022C	41022-1125	TUBE-TIRE,90/100-14(D)					1
41022D	41022-1203	TUBE-TIRE,70/100-19(BS)					
		L-----AS				1	
41022E	41022-1204	TUBE-TIRE,90/100-16(BS)					
		L-----AS				1	
41023	41023-1068	BAND-RIM,80/100-14(D)					1
41023A	41023-1072	BAND-RIM,RR,90/100-16(D)					
		L-----EU				1	
41023B	41023-1074	BAND-RIM,90.100/90-19(D)					
		L-----EU				1	
41023C	41023-1082	BAND-RIM,100/90-17(D)					1
41023D	41023-1122	BAND-RIM,X-19(BS)					
		L-----AS				1	
41023E	41023-1123	BAND-RIM,X-16A(BS)					
		L-----AS				1	
41024	41024-010	STOPPER-RIM,1.60-M(DUNLOP)					1
41024A	41024-011	STOPPER-RIM,1.85-M(DUNLOP)					1
41025	41025-0131-WC	RIM,FR,1.40X17,BLACK					1
41025A	41025-0132-WC	RIM,RR,1.60X14,BLACK					1
41025B	41025-0133-WC	RIM,FR,1.40X19,BLACK					1
41025C	41025-0134-WC	RIM,RR,1.85X16,BLACK					1
41029	41029-1274	SPOKE-INNER,RR,157MMX170D					14
41029A	41029-1278	SPOKE-INNER,RR,179MMX170D					14
41029B	41029-1288	SPOKE-INNER,FR,RH,211MMX165D					14
41029C	41029-1289	SPOKE-INNER,FR,LH,207MMX165D					14
41029D	41029-1290	SPOKE-INNER,FR,RH,187MMX166D					14
41029E	41029-1291	SPOKE-INNER,FR,LH,183MMX166D					14

This catalog covers:

'10 KX85 AAF/BAF Chassis

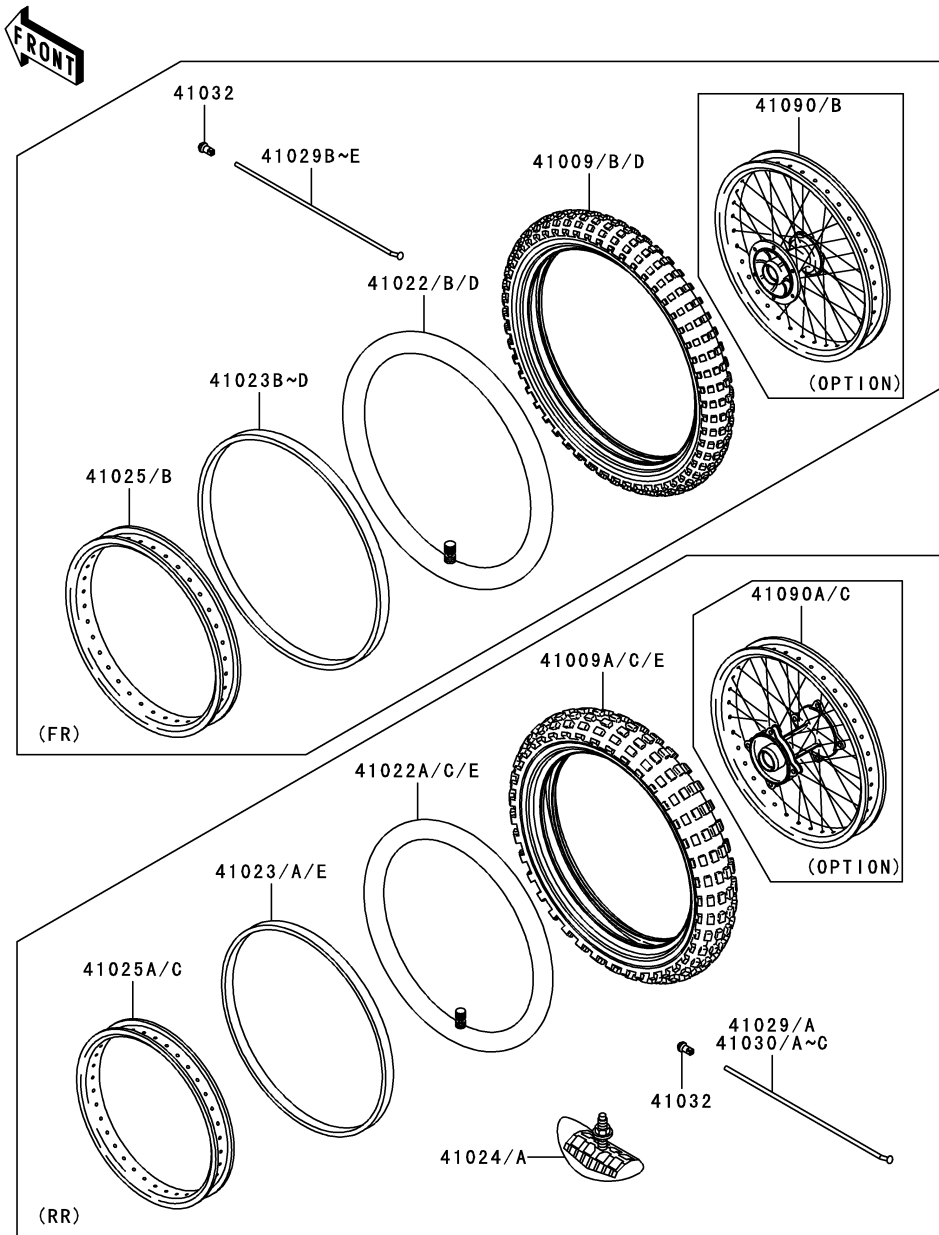
GRID NO.

**D-11**

This grid covers:

**Tires(2/2)**

F2210



Ref. No.	Part No.	Description	Spec Code	Quantity-KX85			
				'10	'10		
				AAF	BAF		
41030	41030-1150	SPOKE-OUTER,RR,RH,149MMX172D		7			
41030A	41030-1151	SPOKE-OUTER,RR,RH,171MMX170D			7		
41030B	41030-1160	SPOKE-OUTER,RR,LH,153MMX172D		7			
41030C	41030-1161	SPOKE-OUTER,RR,LH,175MMX170D			7		
41032	41032-1077	NIPPLE-SPOKE,8X9X20(+)		56	56		
41090	41090-0101-WC (OPTION)	WHEEL,FR,1.40X17,BLACK		1			
41090A	41090-0102-WC (OPTION)	WHEEL,RR,1.60X14,BLACK		1			
41090B	41090-0103-WC (OPTION)	WHEEL,FR,1.40X19,BLACK			1		
41090C	41090-0104-WC (OPTION)	WHEEL,RR,1.85X16,BLACK			1		

This catalog covers:

'10 KX85 AAF/BAF Chassis

GRID NO.

**D-12**

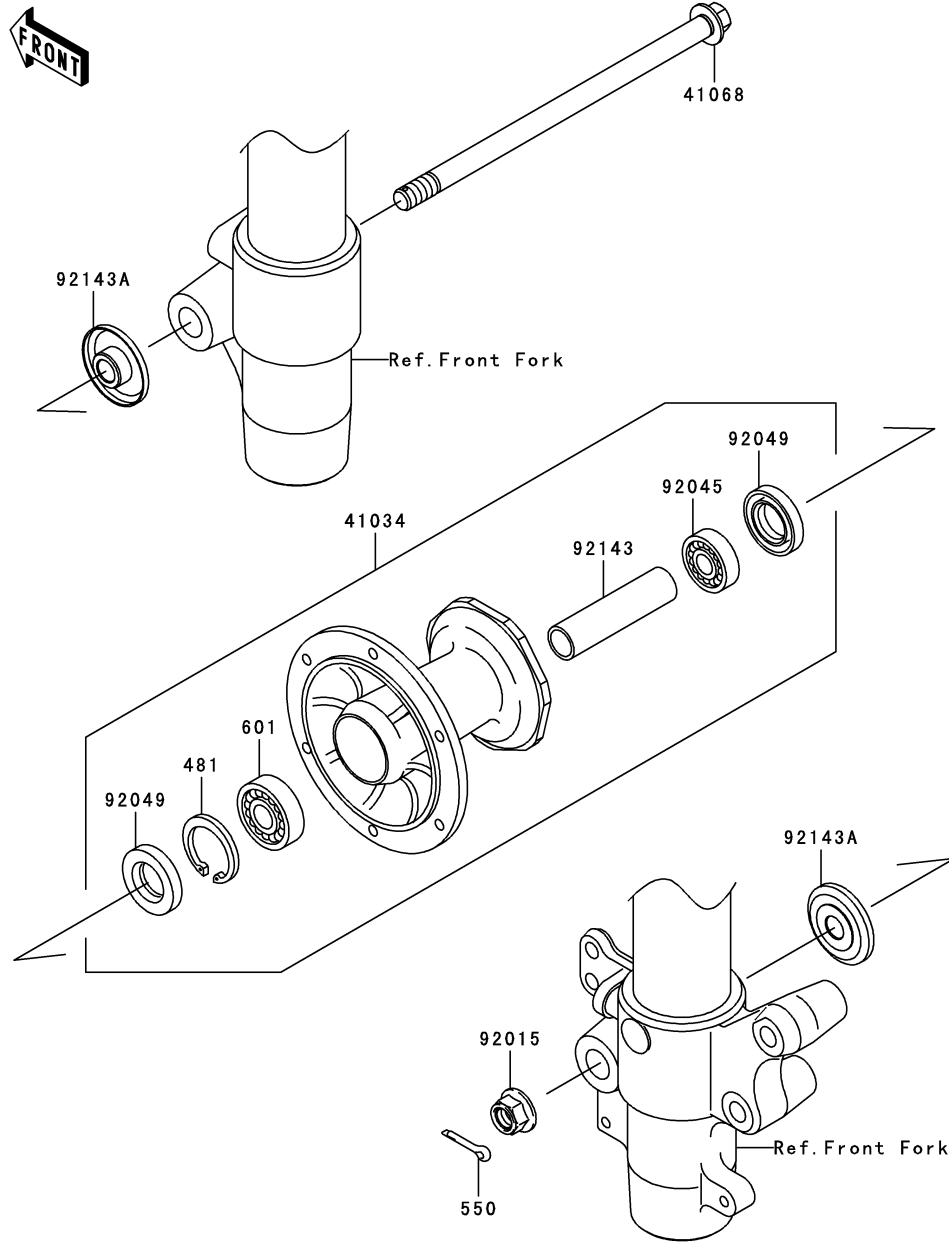
This grid covers:

**Front Hub**

F 2 2 3 0

Ref. No.	Part No.	Description	Spec Code	Quantity-KX85			
				'10	'10		
				AAF	BAF		

41034	41034-1310	DRUM-ASSY,FRONT BRAKE		1	1		
41068	41068-1333	AXLE,FR		1	1		
92015	92015-1433	NUT,LOCK,FLANGED,12MM		1	1		
92045	92045-1062	BEARING-BALL,TMB201LLUC3/2A		1	1		
92049	92049-1257	SEAL-OIL,TC20376.5		2	2		
92143	92143-1935	COLLAR,FR BRAKE DRUM,L=76		1	1		
92143A	92143-1936	COLLAR,FR AXLE,L=12		2	2		
481	481J3700	CIRCLIP-TYPE-C,37MM		1	1		
550	550AA2520	PIN-COTTER,2.5X20		1	1		
601	601B6301UU	BEARING-BALL,#6201UUC3		1	1		



This catalog covers:

'10 KX85 AAF/BAF Chassis

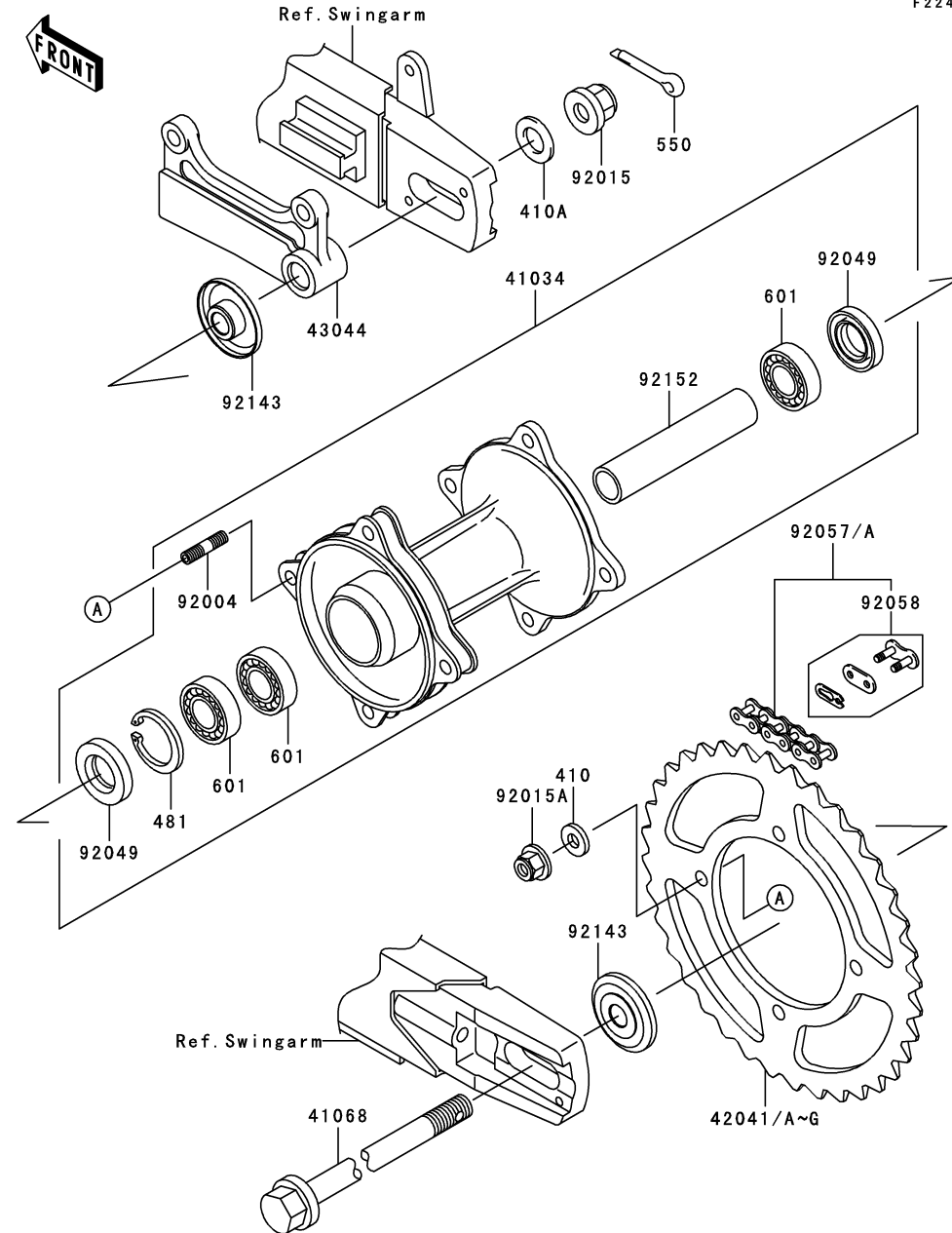
GRID NO.

**D-13**

This grid covers:

**Rear Hub**

F2240



Ref. No.	Part No.	Description	Spec Code	Quantity-KX85			
				'10	'10		
				AAF	BAF		
41034	41034-1323	DRUM-ASSY,REAR BRAKE	1	1			
41068	41068-1401	AXLE,RR	1	1			
42041	42041-1207	SPROCKET-HUB,49T	1	1			
42041A	42041-1227 (OPTION)	SPROCKET-HUB,48T	1				
42041B	42041-1228	SPROCKET-HUB,50T	1				
42041C	42041-1228 (OPTION)	SPROCKET-HUB,50T		1			
42041D	42041-1229	SPROCKET-HUB,51T		1			
42041E	42041-1229 (OPTION)	SPROCKET-HUB,51T	1				
42041F	42041-1245 (OPTION)	SPROCKET-HUB,52T	1	1			
42041G	42041-1246 (OPTION)	SPROCKET-HUB,53T		1			
43044	43044-1122	HOLDER-COMP-CALIPER	1	1			
92004	92004-1183	STUD,8X16	4	4			
92015	92015-1401	NUT,FLANGED,14MM	1	1			
92015A	92015-1432	NUT,8MM	4	4			
92049	92049-1469	SEAL-OIL	2	2			
92057	92057-1496	CHAIN,DRIVE,DID420DS2X120L	1				
92057A	92057-1497	CHAIN,DRIVE,DID420DS2X124L		1			
92058	92058-1086	JOINT-CHAIN,DRIVE	1	1			
92143	92143-1938	COLLAR,RR AXLE,L=12.5	2	2			
92152	92152-1090	COLLAR,RR BRAKE DRUM,L=95	1	1			
410	410AA0800	WASHER-PLAIN-SMALL,8MM	4	4			
410A	410AA1400	WASHER-PLAIN-SMALL,14MM	1	1			
481	481J3500	CIRCLIP-TYPE-C,35MM	1	1			
550	550AA2520	PIN-COTTER,2.5X20	1	1			
601	601B6202UU	BEARING-BALL	3	3			

This catalog covers:

'10 KX85 AAF/BAF Chassis

GRID NO.

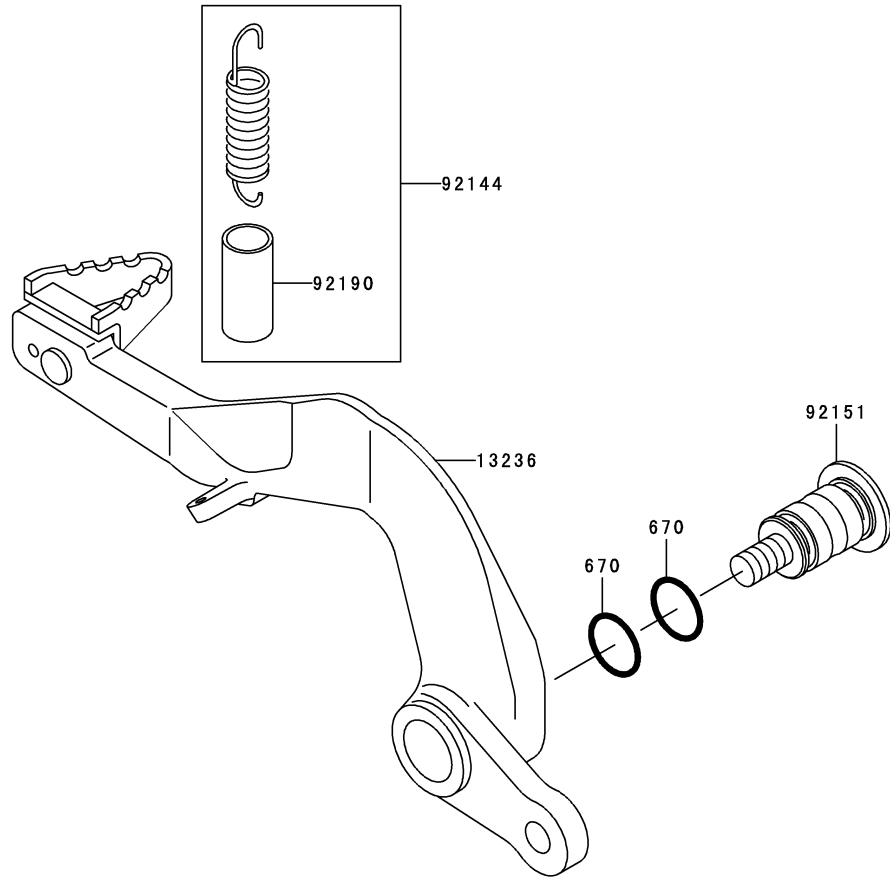
**D-14**

This grid covers:

**Brake Pedal**

F2260

Ref. No.	Part No.	Description	Spec Code	Quantity-KX85			
				'10	'10		
				AAF	BAF		
13236	13236-1353	LEVER-COMP,BRAKE PEDAL,ALUM.	1	1			
92144	92144-1752	SPRING,BRAKE PEDAL RETURN	1	1			
92151	92151-1572	BOLT,BRAKE PEDAL,8MM	1	1			
92190	92190-1488	TUBE,13X16X25	1	1			
670	670B2012	O RING,12MM	2	2			



This catalog covers:

'10 KX85 AAF/BAF Chassis

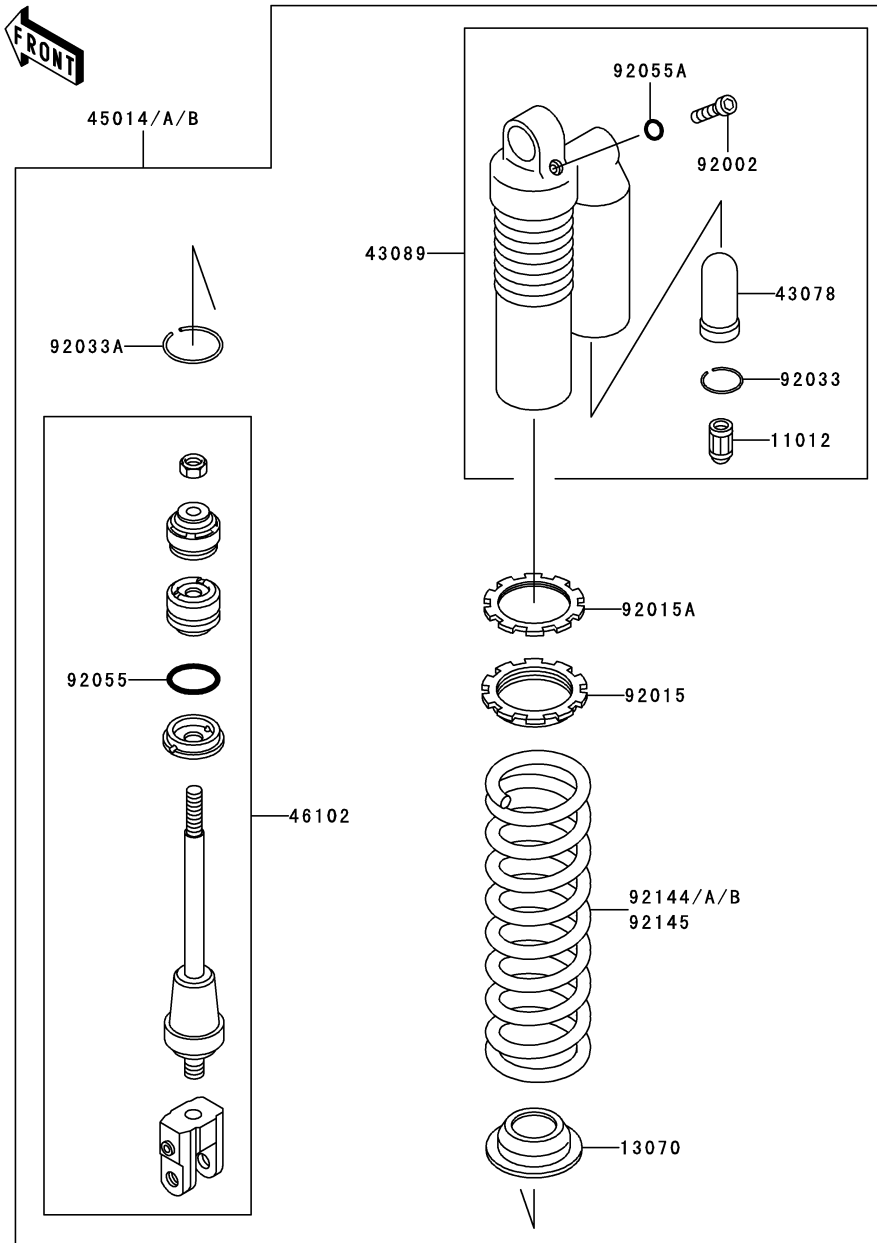
GRID NO.

**E-3**

This grid covers:

**Shock Absorber(s)**

F2280



Ref. No.	Part No.	Description	Spec Code	Quantity-KX85			
				'10 AAF	'10 BAF		
11012	11012-1391	CAP,VALVE AIR		1	1		
13070	13070-1233	GUIDE,SPRING		1	1		
43078	43078-1112	RESERVOIR,SHOCKABSORBER		1	1		
43089	43089-0008-829	CYLINDER-SHOCKABSORBER,GOLD		1	1		
45014	45014-5013	SHOCKABSORBER		1	1		
45014A	45014-5045	SHOCKABSORBER		1	1		
45014B	45014-5047	SHOCKABSORBER		1	1		
46102	46102-1411	ROD,SHOCKABSORBER		1	1		
92002	92002-1955	BOLT,DRAIN		1	1		
92015	92015-1679	NUT,SPRING ADJUST		1	1		
92015A	92015-1713	NUT,SPRING ADJUST LOCK		1	1		
92033	92033-1091	RING-SNAP,REARSHOCK		1	1		
92033A	92033-1211	RING-SNAP,SHOCKABSORBER		1	1		
92055	92055-1334	RING-O,ROD		1	1		
92055A	92055-1383	RING-O		1	1		
92144	92144-1570-17D (OPTION)	SPRING,SHOCK,K=45.1N/MM,BLACK		1	1		
92144A	92144-1571-17D (OPTION)	SPRING,SHOCK,K=49.0N/MM,BLACK		1	1		
92144B	92144-1945-17D	SPRING,SHOCK,K=47.0N/MM,BLACK		1	1		
92145	92145-1371-17D (OPTION)	SPRING,SHOCK,K=43.1N/MM,BLACK		1	1		



This catalog covers:

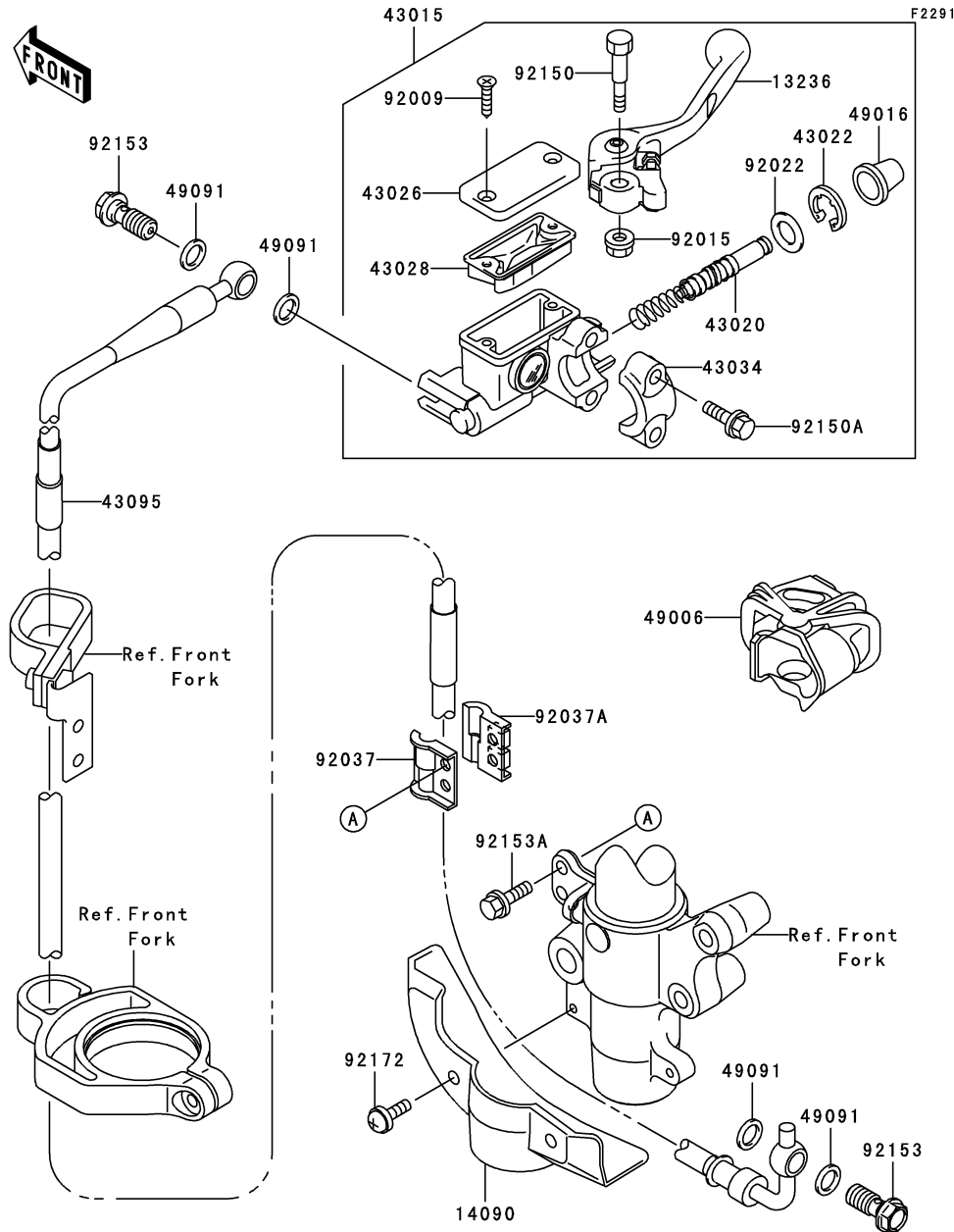
'10 KX85 AAF/BAF Chassis

GRID NO.

**E-4**

This grid covers:

Front Master Cylinder



Ref. No.	Part No.	Description	Spec Code	Quantity-KX85			
				'10	'10		
				AAF	BAF		
13236	13236-1346	LEVER-COMP,FRONT BRAKE	1	1			
14090	14090-1860-6D	COVER,BRAKE HOSE,BLACK	1	1			
43015	43015-0145	CYLINDER-ASSY-MASTER,FR	1	1			
43020	43020-1123	PISTON-COMP-BRAKE	1	1			
43022	43022-1010	STOPPER-BRAKE,PISTON	1	1			
43026	43026-0020	CAP-BRAKE,MASTER CYLINDER	1	1			
43028	43028-1067	DIAPHRAGM	1	1			
43034	43034-1110	HOLDER-BRAKE	1	1			
43095	43095-1091	HOSE-BRAKE,FR	1	1			
49006	49006-0078	BOOT,FRONT BRAKE LEVER	1	1			
49016	49016-1044	COVER-SEAL,MASTER CYLINDER	1	1			
49091	49091-0001	WASHER-SEAL,10.1X14.5X1.5	4	4			
92009	92009-1458	SCREW,4MM	2	2			
92015	92015-1528	NUT,FLANGED,6MM	1	1			
92022	92022-1814	WASHER	1	1			
92037	92037-1362	CLAMP,BRAKE HOSE,OUTSIDE	1	1			
92037A	92037-1363	CLAMP,BRAKE HOSE,INSIDE	1	1			
92150	92150-1451	BOLT,LEVER SET	1	1			
92150A	92150-1452	BOLT	2	2			
92153	92153-0627	BOLT,OIL,L=23	2	2			
92153A	92153-0695	BOLT,6X16	2	2			
92172	92172-0401	SCREW,6X14	2	2			

This catalog covers:

'10 KX85 AAF/BAF Chassis

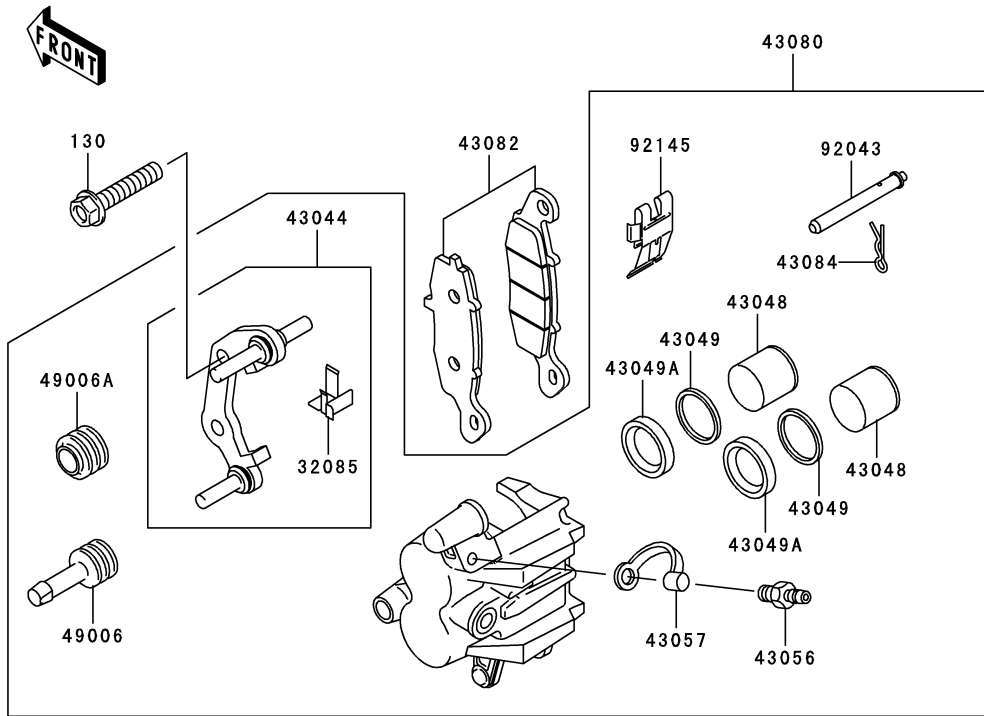
GRID NO.

**E-5**

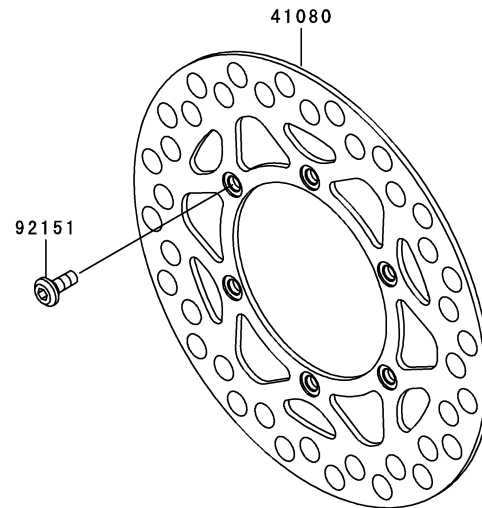
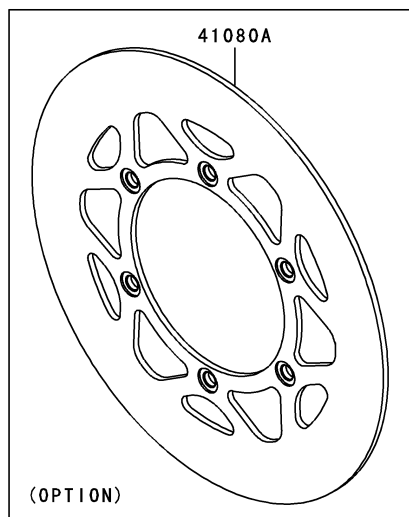
This grid covers:

**Front Brake**

F2292



Ref. No.	Part No.	Description	Spec Code	Quantity-KX85			
				'10	'10		
				AAF	BAF		
32085	32085-1437	STOPPER		1	1		
41080	41080-0111	DISC,FR		1	1		
41080A	41080-0112	DISC,FR (OPTION)		1	1		
43044	43044-1119	HOLDER-COMP-CALIPER,FR		1	1		
43048	43048-1083	PISTON-CALIPER		2	2		
43049	43049-1059	PACKING,PISTON		2	2		
43049A	43049-1090	PACKING,PISTON SEAL		2	2		
43056	43056-1054	BREATHER-BRAKE		1	1		
43057	43057-003	CAP-BREATHER		1	1		
43080	43080-0008	CALIPER-SUB-ASSY,FR,LH		1	1		
43082	43082-1196	PAD-ASSY-BRAKE		1	1		
43084	43084-003	CLAMP,PAD		1	1		
49006	49006-1054	BOOT,CALIPER		1	1		
49006A	49006-1055	BOOT,CALIPER		1	1		
92043	92043-1356	PIN,PAD		1	1		
92145	92145-1260	SPRING,PAD		1	1		
92151	92151-1799	BOLT,DISC PLATE,6MM		6	6		
130	130CA0840	BOLT-FLANGED,8X40		2	2		



This catalog covers:

'10 KX85 AAF/BAF Chassis

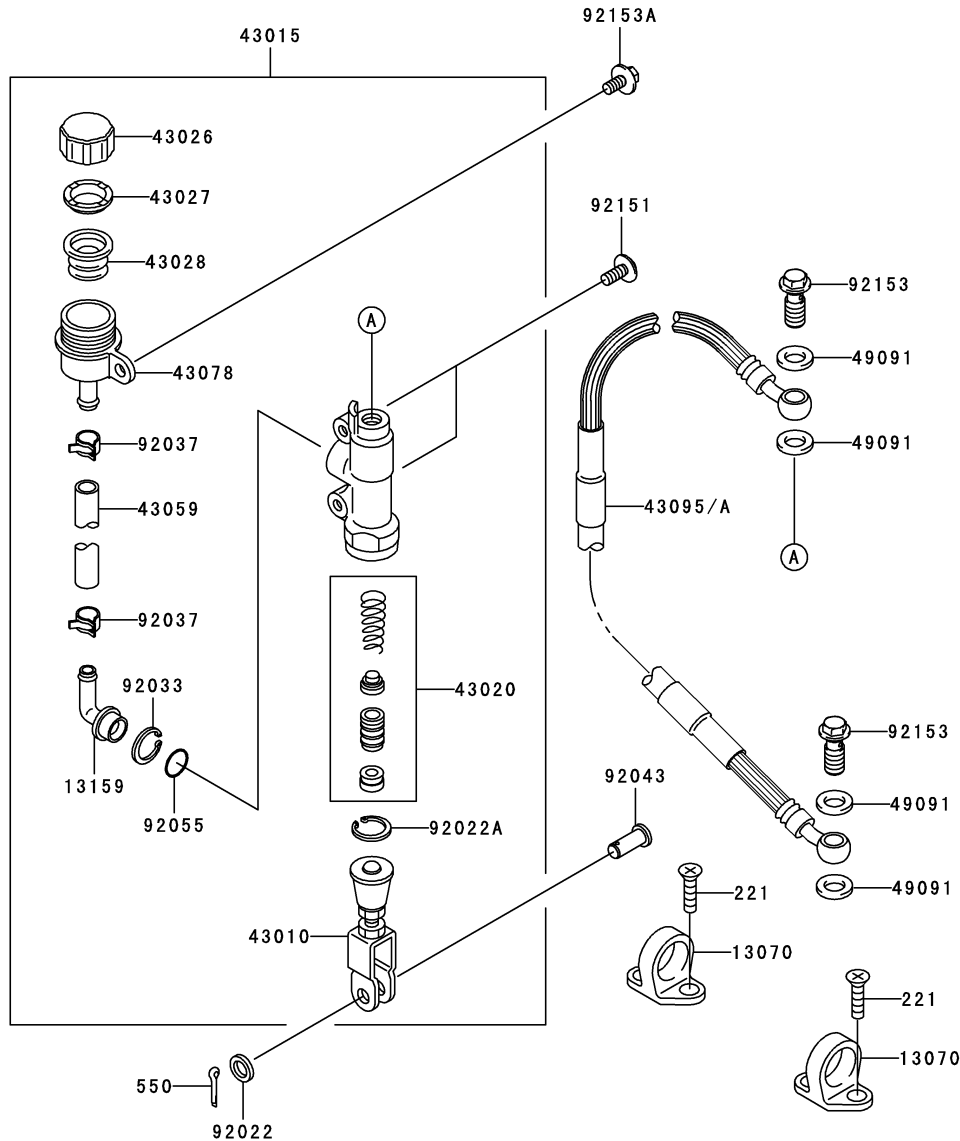
GRID NO.

**E-6**

This grid covers:

Rear Master Cylinder

F2293



Ref. No.	Part No.	Description	Spec Code	Quantity-KX85			
				'10	'10		
				AAF	BAF		
13070	13070-1144	GUIDE,HOSE		2	2		
13159	13159-1056	CONNECTOR		1	1		
43010	43010-1079	ROD-ASSY-BRAKE		1	1		
43015	43015-1606	CYLINDER-ASSY-MASTER,RR		1	1		
43020	43020-1094	PISTON-COMP-BRAKE		1	1		
43026	43026-1058	CAP-BRAKE		1	1		
43027	43027-1052	PLATE-DIAPHRAGM		1	1		
43028	43028-1060	DIAPHRAGM		1	1		
43059	43059-1670	HOSE-BRAKE,RR MASTER CYLINDER		1	1		
43078	43078-1068	RESERVOIR		1	1		
43095	43095-1233	HOSE-BRAKE,RR,L=542		1			
43095A	43095-1234	HOSE-BRAKE,RR,L=567			1		
49091	49091-0001	WASHER-SEAL,10.1X14.5X1.5		4	4		
92022	92022-1028	WASHER,8.5X13X1		1	1		
92022A	92022-1601	WASHER,CIRCRIP		1	1		
92033	92033-1186	RING-SNAP,20.5MM		1	1		
92037	92037-1710	CLAMP		2	2		
92043	92043-0004	PIN		1	1		
92055	92055-1251	RING-O,MASTER CYLINDER		1	1		
92151	92151-1654	BOLT,SOCKET,6X14		2	2		
92153	92153-0627	BOLT,OIL,L=23		2	2		
92153A	92153-0936	BOLT,FLANGED,6X14		1	1		
221	221AA0510	SCREW-CSK-CROS,5X10		4	4		
550	550AA2015	PIN-COTTER,2.0X15		1	1		

This catalog covers:

'10 KX85 AAF/BAF Chassis

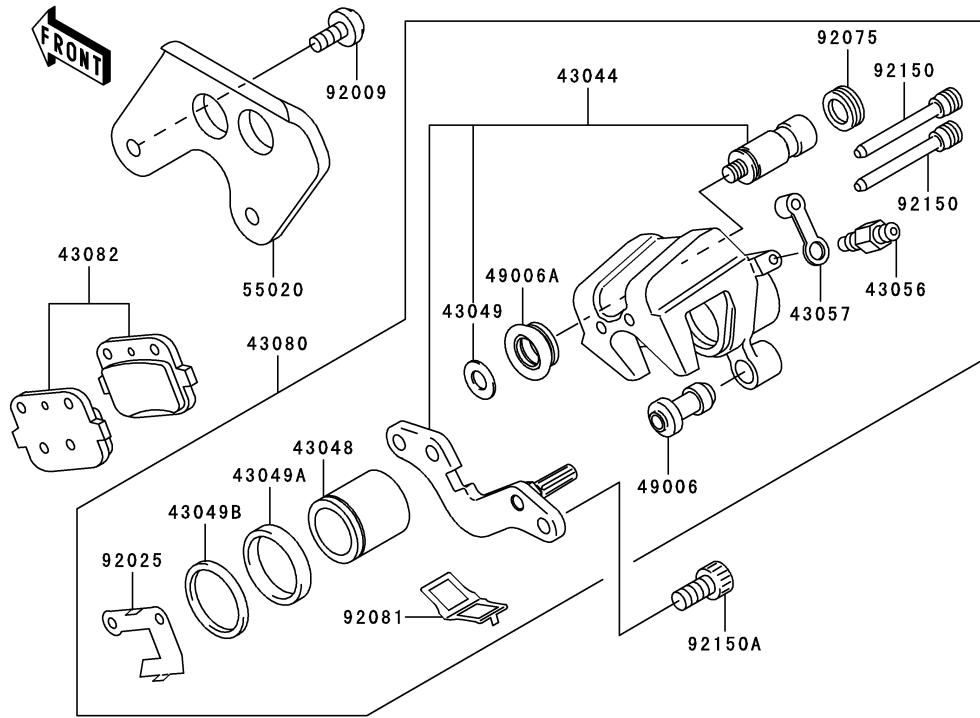
GRID NO.

**E-7**

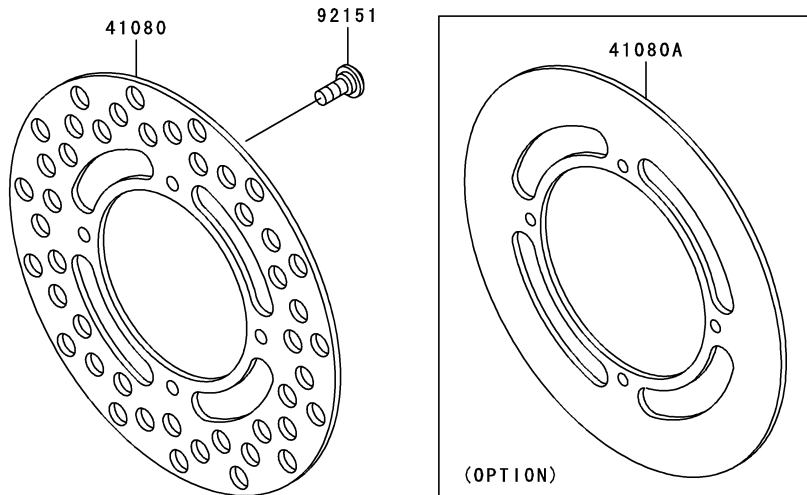
This grid covers:

Rear Brake

F2294



Ref. No.	Part No.	Description	Spec Code	Quantity-KX85			
				'10	'10		
				AAF	BAF		
41080	41080-1492	DISC,RR		1	1		
41080A	41080-1493	DISC,RR		1	1		
	(OPTION)						
43044	43044-1076	HOLDER-COMP-CALIPER,RR		1	1		
43048	43048-1064	PISTON-CALIPER		1	1		
43049	43049-1025	PACKING		1	1		
43049A	43049-1060	PACKING,PISTON SEAL		1	1		
43049B	43049-1061	PACKING,PISTON SEAL		1	1		
43056	43056-1055	BREATHER		1	1		
43057	43057-1001	CAP-BREATHER		1	1		
43080	43080-5134	CALIPER-SUB-ASSY,RR		1	1		
43082	43082-1205	PAD-ASSY-BRAKE		1	1		
49006	49006-1088	BOOT,CALIPER		1	1		
49006A	49006-1089	BOOT,CALIPER		1	1		
55020	55020-1247-6D	GUARD,CALIPER,BLACK		1	1		
92009	92009-1286	SCREW,6X10,WHITE		2	2		
92025	92025-1817	SHIM,PAD		1	1		
92075	92075-1414	DAMPER		1	1		
92081	92081-1502	SPRING,PAD		1	1		
92150	92150-1144	BOLT		2	2		
92150A	92150-1840	BOLT,SOCKET,8X16		2	2		
92151	92151-1799	BOLT,DISC PLATE,6MM		4	4		



This catalog covers:

'10 KX85 AAF/BAF Chassis

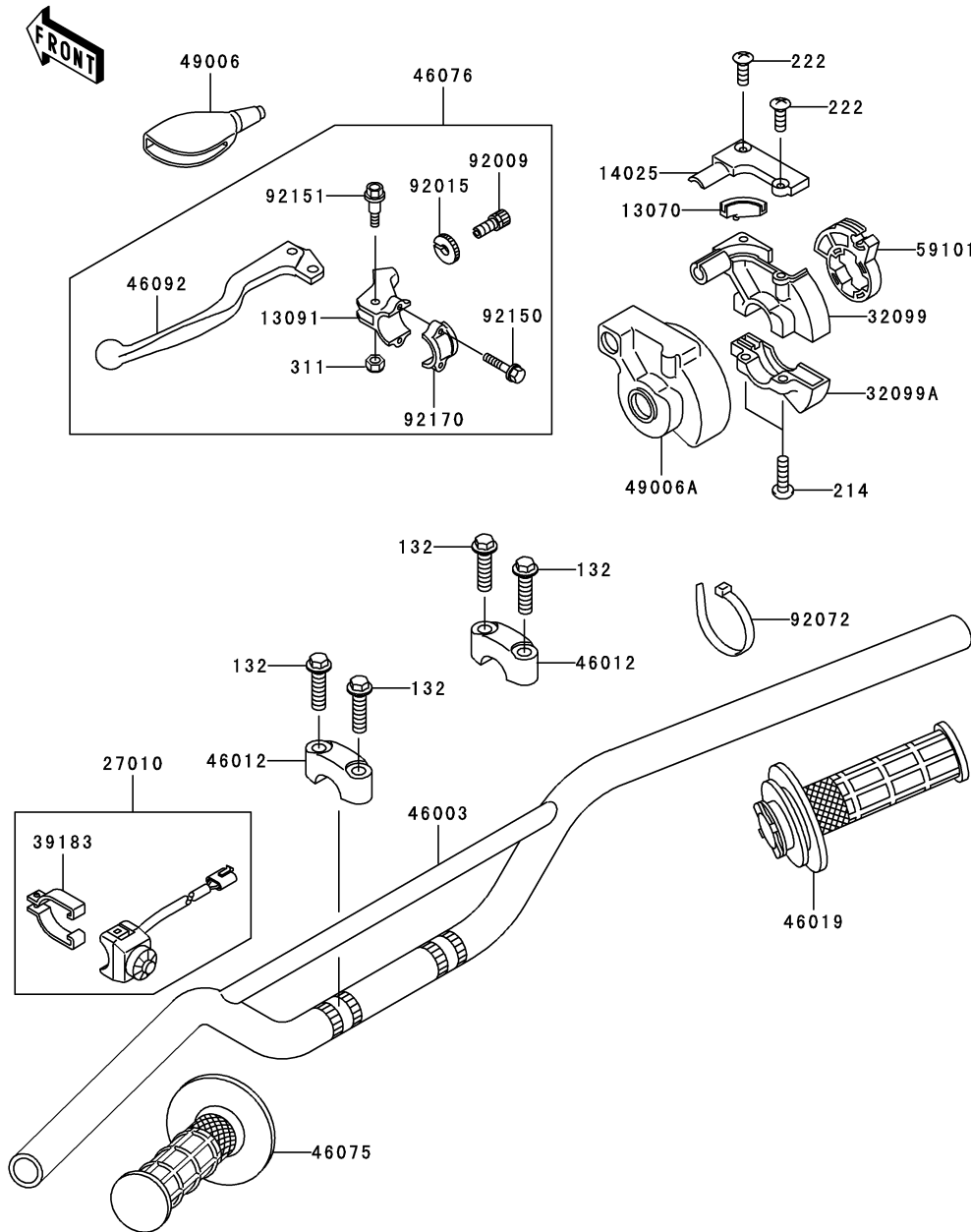
GRID NO.

**E-8**

This grid covers:

**Handlebar**

F2310



Ref. No.	Part No.	Description	Spec Code	Quantity-KX85			
				'10 AAF	'10 BAF		
13070	13070-1074	GUIDE,THROTTLE		1	1		
13091	13091-1728	HOLDER,CLUTCH LEVER		1	1		
14025	14025-1646	COVER,THROTTLE CASE UPP		1	1		
27010	27010-0035	SWITCH,ENGINE STOP		1	1		
32099	32099-1036	CASE,THROTTLE UPP		1	1		
32099A	32099-1044	CASE,THROTTLE LWR		1	1		
39183	39183-1059	BAND-ASSY,ENGINE STOP SWITCH		1	1		
46003	46003-0027-458	HANDLE,P,SILVER		1	1		
46012	46012-0011-21	HOLDER-HANDLE,UPP,F.BLACK		2	2		
46019	46019-1054	GRIP-ASSY,THROTTLE		1	1		
46075	46075-1024	GRIP,LH		1	1		
46076	46076-1203	LEVER-ASSY-GRIP,CLUTCH		1	1		
46092	46092-1165	LEVER-GRIP,CLUTCH		1	1		
49006	49006-1017	BOOT,LEVER HOLDER		1	1		
49006A	49006-1097	BOOT,THROTTLE CASE		1	1		
59101	59101-1110	REEL,THROTTLE		1	1		
92009	92009-1476	SCREW,CABLE ADJUST,8MM		1	1		
92015	92015-1596	NUT,CABLE ADJUST LOCK,8MM		1	1		
92072	92072-0055	BAND,L=100		1	1		
92150	92150-1474	BOLT		2	2		
92151	92151-1103	BOLT,LEVER SET,5MM		1	1		
92170	92170-1226	CLAMP,LEVER HOLDER		1	1		
132	132BC0830	BOLT-FLANGED-SMALL,8X30		4	4		
214	214C0518	SCREW-PAN+-,5X18		2	2		
222	222E0412	SCREW-CSK-RD-CROS,4X12		2	2		
311	311AA0500	NUT-HEX		1	1		

This catalog covers:

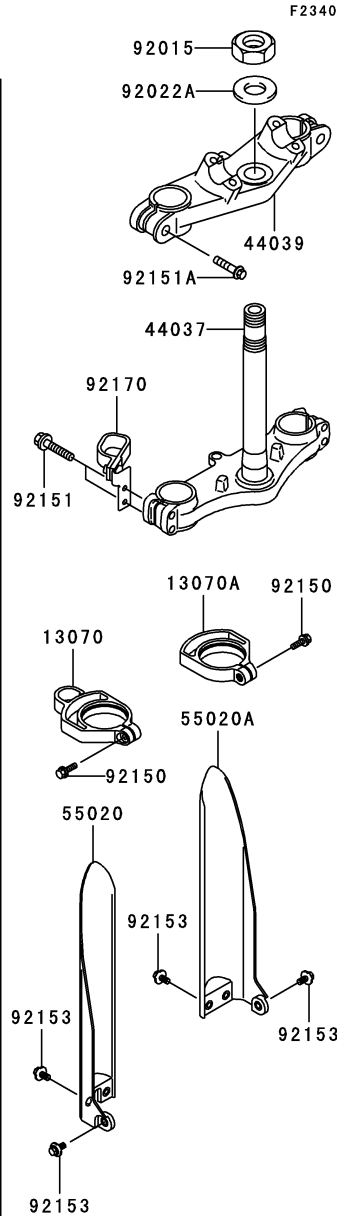
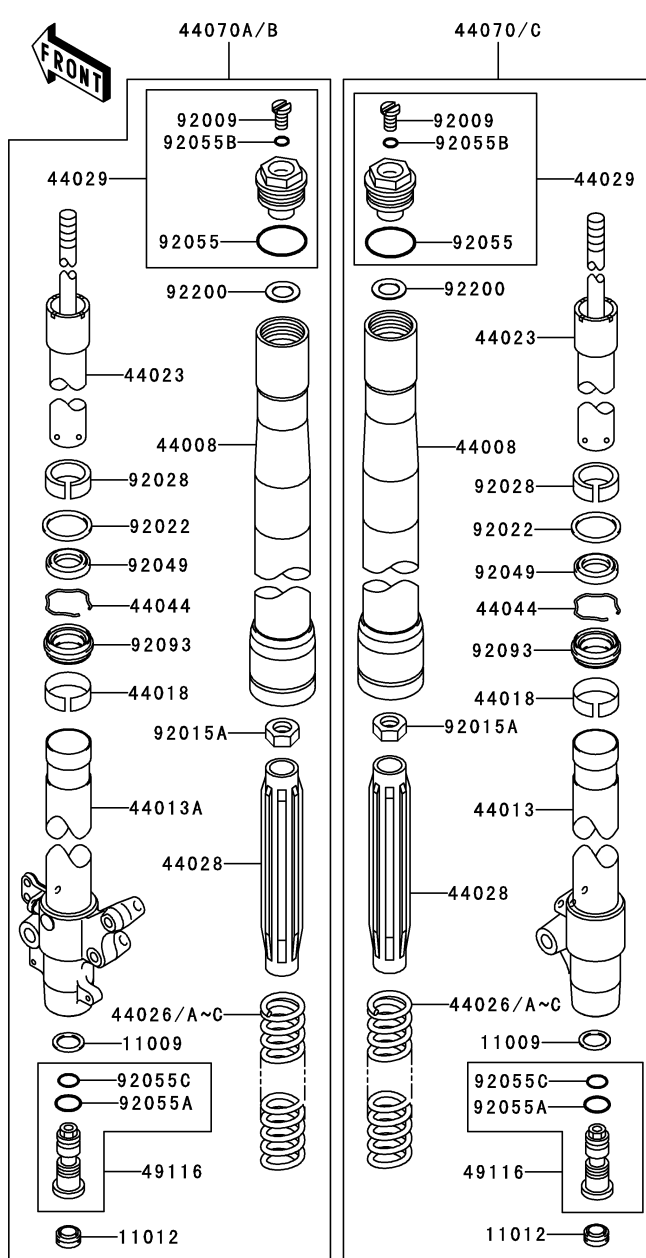
'10 KX85 AAF/BAF Chassis

GRID NO.

**E-9**

This grid covers:

**Front Fork(1/2)**



Ref. No.	Part No.	Description	Spec Code	Quantity-KX85			
				'10	'10		
				AAF	BAF		
11009	11009-1592	GASKET,FORK CYLINDER BOLT		2	2		
11012	11012-1692	CAP		2	2		
13070	13070-0049-6D	GUIDE,PROTECTOR,LH,BLACK		1	1		
13070A	13070-0050-6D	GUIDE,PROTECTOR,RH,BLACK		1	1		
44008	44008-1041-828	PIPE-FORK OUTER,GOLD		2	2		
44013	44013-1442	PIPE-FORK INNER,RH		1	1		
44013A	44013-1484	PIPE-FORK INNER,LH		1	1		
44018	44018-1058	PISTON-FORK		2	2		
44023	44023-1119	CYLINDER-SET-FORK		2	2		
44026	44026-1633	SPRING-FRONT FORK,K=2.75N/MM		2	2		
	(OPTION)						
44026A	44026-1634	SPRING-FRONT FORK,K=2.84N/MM		2	2		
44026B	44026-1635	SPRING-FRONT FORK,K=2.94N/MM		2	2		
	(OPTION)						
44026C	44026-1671	SPRING-FRONT FORK,K=2.65N/MM		2	2		
	(OPTION)						
44028	44028-1090	GUIDE-FORK SPRING		2	2		
44029	44029-1152	SEAT-FORK SPRING		2	2		
44037	44037-0032-21	HOLDER-FORK UNDER,F.BLACK		1	1		
44039	44039-0023-21	HOLDER-FORK UPPER,F.BLACK		1	1		
44044	44044-015	RING-SNAP		2	2		
44070	44070-1631-828	DAMPER-ASSY,FORK,RH,GOLD			1		
44070A	44070-1848-828	DAMPER-ASSY,FORK,LH,GOLD		1			
44070B	44070-1849-828	DAMPER-ASSY,FORK,LH,GOLD			1		
44070C	44070-1894-828	DAMPER-ASSY,FORK,RH,GOLD		1			
49116	49116-1153	VALVE-ASSY,FORK		2	2		
55020	55020-1611-6D	GUARD,FORK,LH,BLACK		1	1		
55020A	55020-1612-6D	GUARD,FORK,RH,BLACK		1	1		
92009	92009-1568	SCREW		2	2		
92015	92015-1653	NUT,STEERING STEM,22MM		1	1		
92015A	92015-1839	NUT		2	2		
92022	92022-1275	WASHER,FRONT FORK		2	2		
92022A	92022-1873	WASHER,STEERING STEM		1	1		
92028	92028-1656	BUSHING		2	2		
92049	92049-1394	SEAL-OIL,FORK OUTER TUBE		2	2		
92055	92055-1123	RING-O		2	2		
92055A	92055-1156	RING-O		2	2		
92055B	92055-1441	RING-O,2.8X6.6X1.9		2	2		

This catalog covers:

'10 KX85 AAF/BAF Chassis

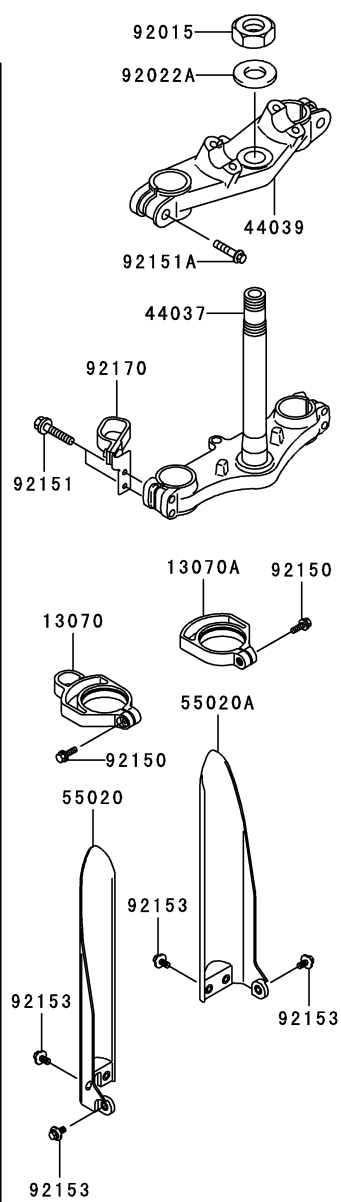
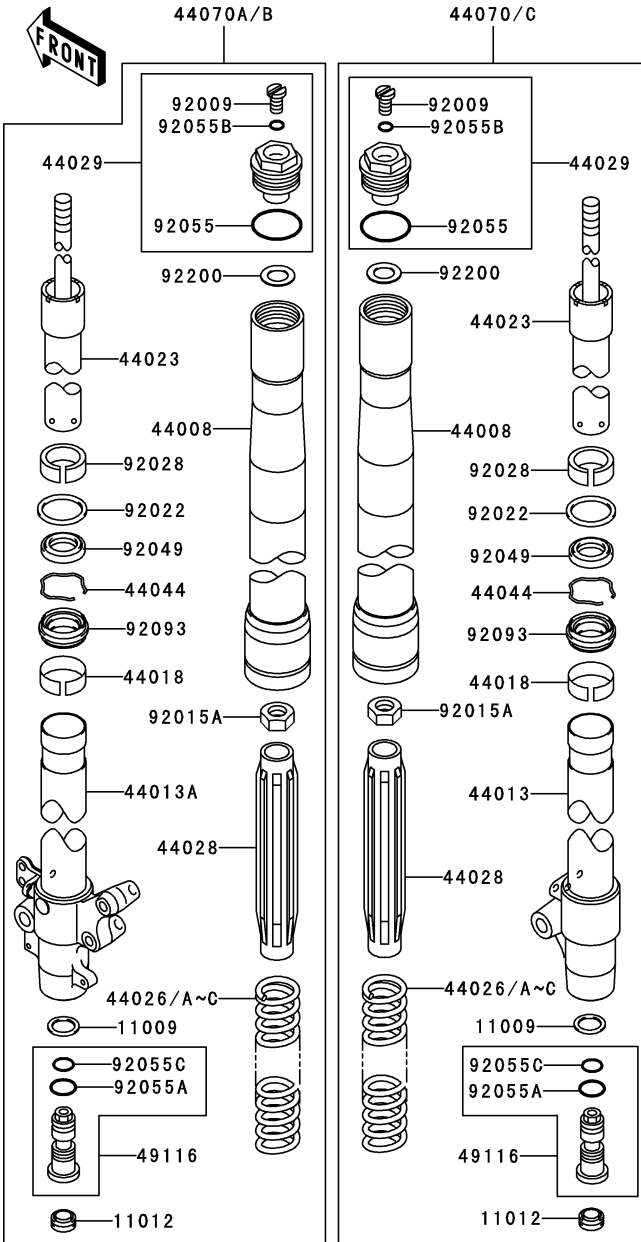
GRID NO.

**E-10**

This grid covers:

Front Fork(2/2)

F2340



Ref. No.	Part No.	Description	Quantity-KX85			
			'10	'10		
			AAF	BAF		
92055C	92055-1502	RING-O,FORK VALVE	2	2		
92093	92093-1426	SEAL,FORK OUTER TUBE	2	2		
92150	92150-1802	BOLT,5X16	2	2		
92151	92151-1877	BOLT,FLANGED,8X40	4	4		
92151A	92151-1878	BOLT,FLANGED,8X35	2	2		
92153	92153-0936	BOLT,FLANGED,6X14	6	6		
92170	92170-1810	CLAMP	1	1		
92200	92200-1655	WASHER	2	2		

This catalog covers:

'10 KX85 AAF/BAF Chassis

GRID NO.

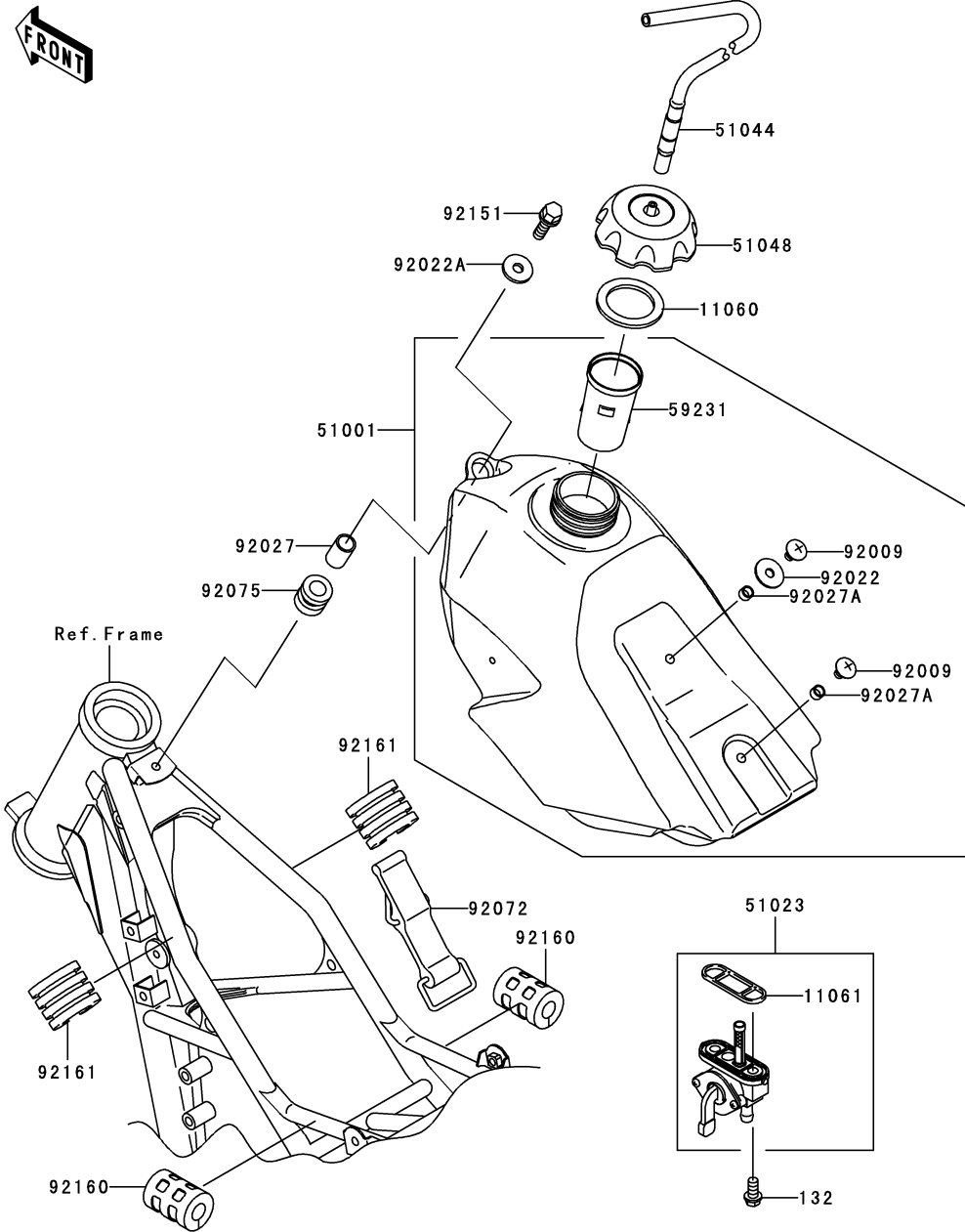
**E-11**

This grid covers:

**Fuel Tank**

F2410

Ref. No.	Part No.	Description	Spec Code	Quantity-KX85			
				'10	'10		
				AAF	BAF		
11060	11060-1340	GASKET,FUEL TANK CAP		1	1		
11061	11061-0181	GASKET,FUEL TAP		1	1		
51001	51001-1677-6Z	TANK-COMP-FUEL,F.BLACK		1	1		
51023	51023-0024	TAP-ASSY,FUEL		1	1		
51044	51044-0025	TUBE-ASSY		1	1		
51048	51048-0014	CAP-ASSY-TANK,FUEL		1	1		
59231	59231-1096	FILLER		1	1		
92009	92009-1530	SCREW,6X10		2	2		
92022	92022-165	WASHER,PLAIN,6MM		1	1		
92022A	92022-1690	WASHER,6.5X24X2		1	1		
92027	92027-1966	COLLAR,6.8X10X14		1	1		
92027A	92027-2096	COLLAR,6.2X7.8X5		2	2		
92072	92072-1229	BAND,FUEL TANK		1	1		
92075	92075-1787	DAMPER		1	1		
92151	92151-1930	BOLT,FLANGED-SMALL,6X25		1	1		
92160	92160-1236	DAMPER,FUEL TANK		2	2		
92161	92161-1175	DAMPER,FUEL TANK		2	2		
132	132BA0612	BOLT-FLANGED-SMALL,6X12		2	2		





This catalog covers:

'10 KX85 AAF/BAF Chassis

GRID NO.

**E-12**

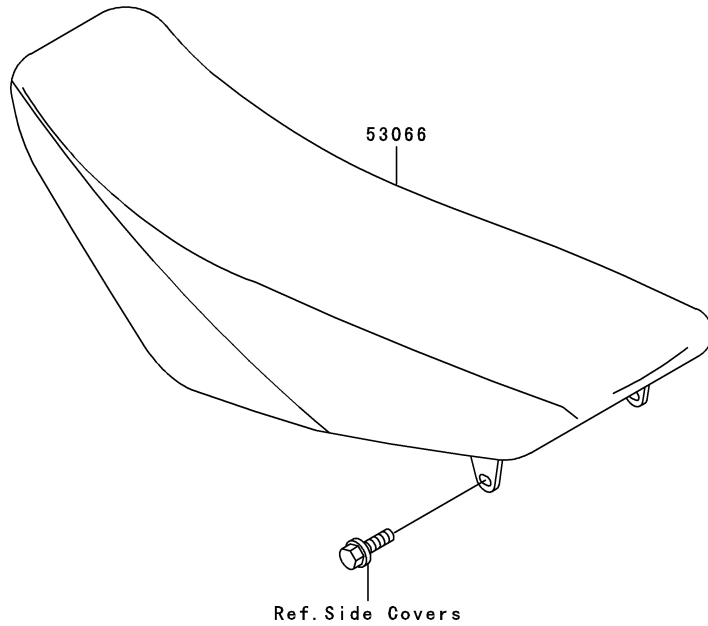
This grid covers:

**Seat**



F2510

Ref. No.	Part No.	Description	Spec Code	Quantity-KX85			
				'10 AAF	'10 BAF		
53066	53066-0093-13R	SEAT-ASSY,BLACK/GREEN		1	1		



This catalog covers:

'10 KX85 AAF/BAF Chassis

GRID NO.

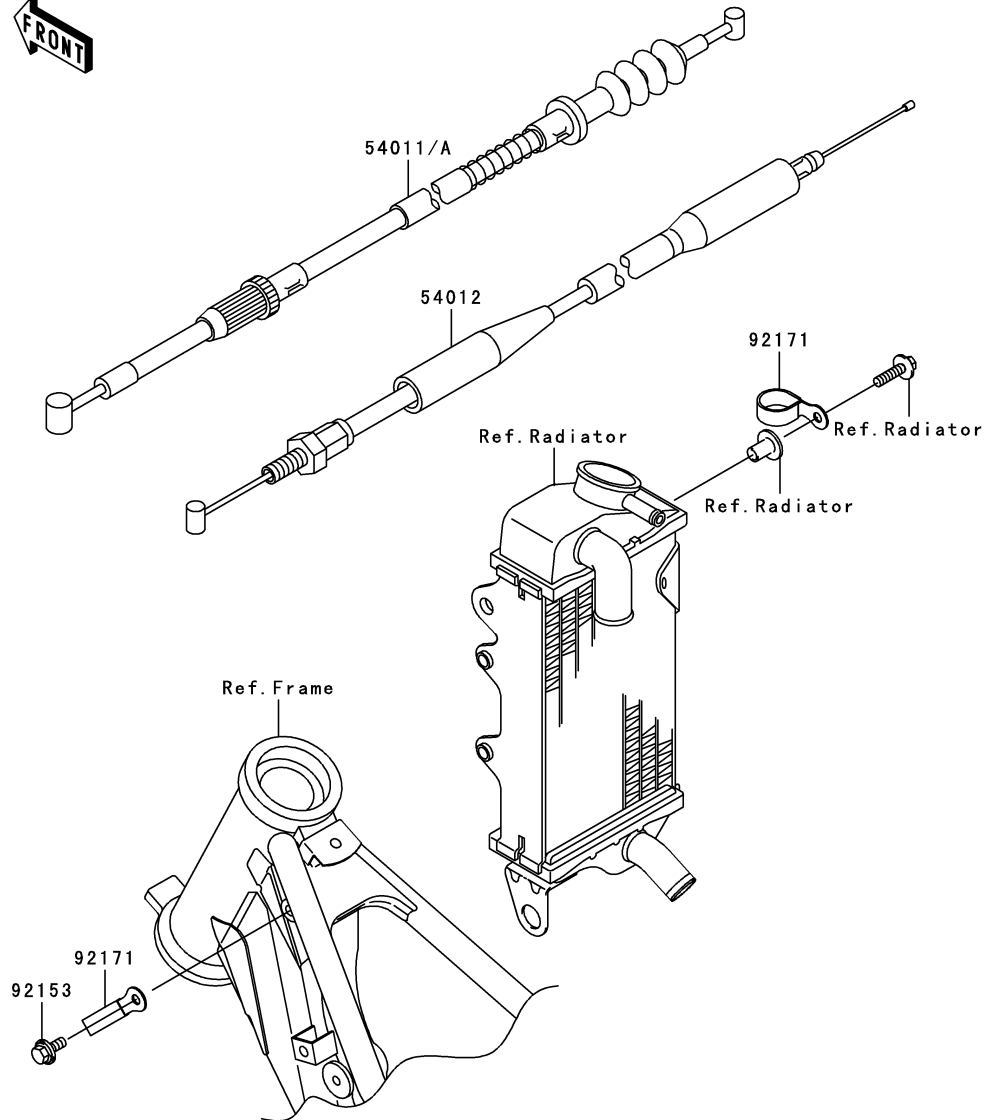
**E-13**

This grid covers:

**Cables**

F2540

Ref. No.	Part No.	Description	Spec Code	Quantity-KX85			
				'10	'10		
				AAF	BAF		
54011	54011-0052	CABLE-CLUTCH			1		
54011A	54011-1375	CABLE-CLUTCH			1		
54012	54012-0096	CABLE-THROTTLE			1	1	
92153	92153-0936	BOLT,FLANGED,6X14			1	1	
92171	92171-1279	CLAMP			2	2	



This catalog covers:

'10 KX85 AAF/BAF Chassis

GRID NO.

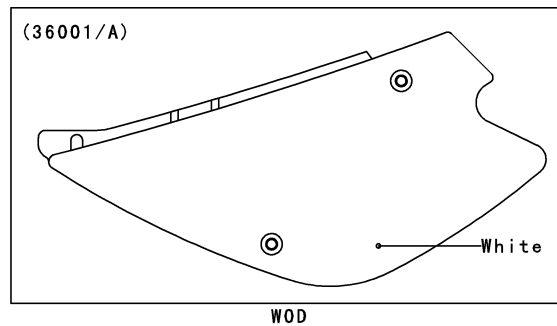
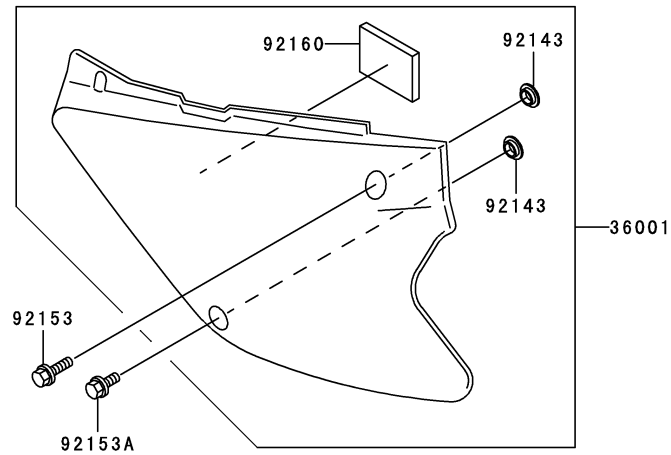
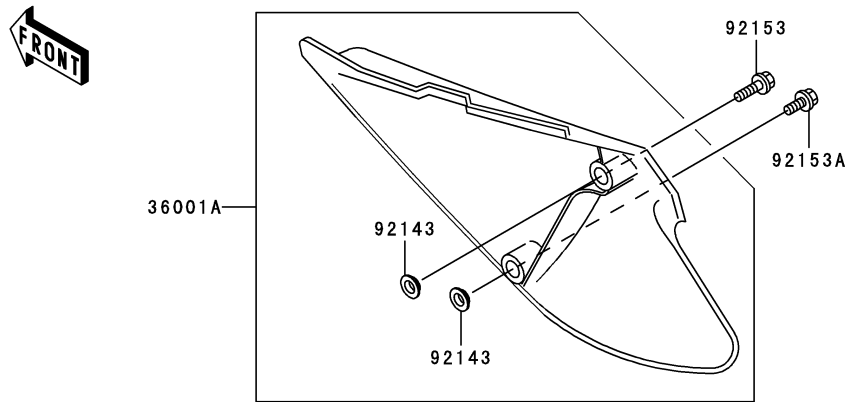
**E-14**

This grid covers:

**Side Covers**

F2611

Ref. No.	Part No.	Description	Spec Code	Quantity-KX85			
				'10 AAF	'10 BAF		
36001	36001-1584-266	COVER-SIDE,LH,S.WHITE		1	1		
36001A	36001-1585-266	COVER-SIDE,RH,S.WHITE		1	1		
92143	92143-1196	COLLAR		4	4		
92153	92153-0502	BOLT,6X20		2	2		
92153A	92153-0936	BOLT,FLANGED,6X14		2	2		
92160	92160-1899	DAMPER		1	1		



This catalog covers:

'10 KX85 AAF/BAF Chassis

GRID NO.

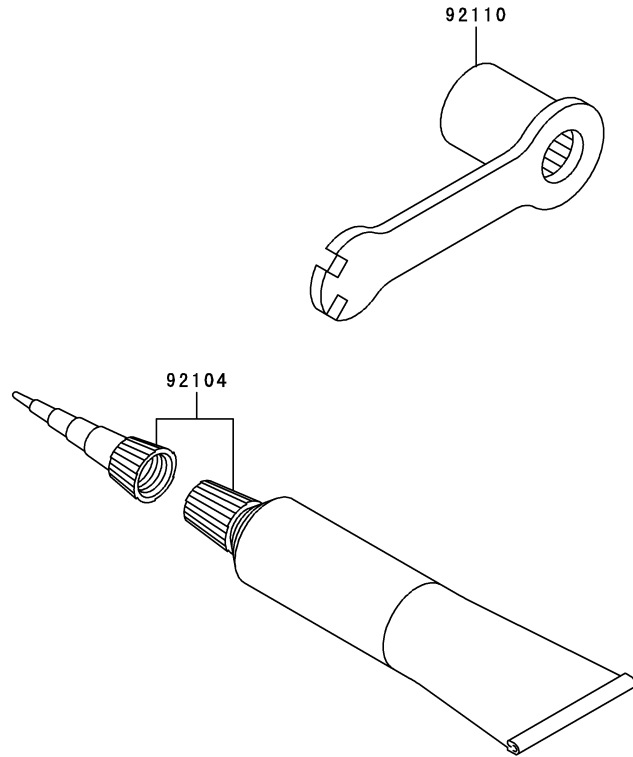
**F-3**

This grid covers:

**Owner's Tools**

F2810

Ref. No.	Part No.	Description	Spec Code	Quantity-KX85			
				'10 AAF	'10 BAF		
92104	92104-002	GASKET-LIQUID,TB1105B,SILVER		1	1		
92110	92110-1119	TOOL-WRENCH,BOX,21MM&SPOKE		1	1		



This catalog covers:

'10 KX85 AAF/BAF Chassis

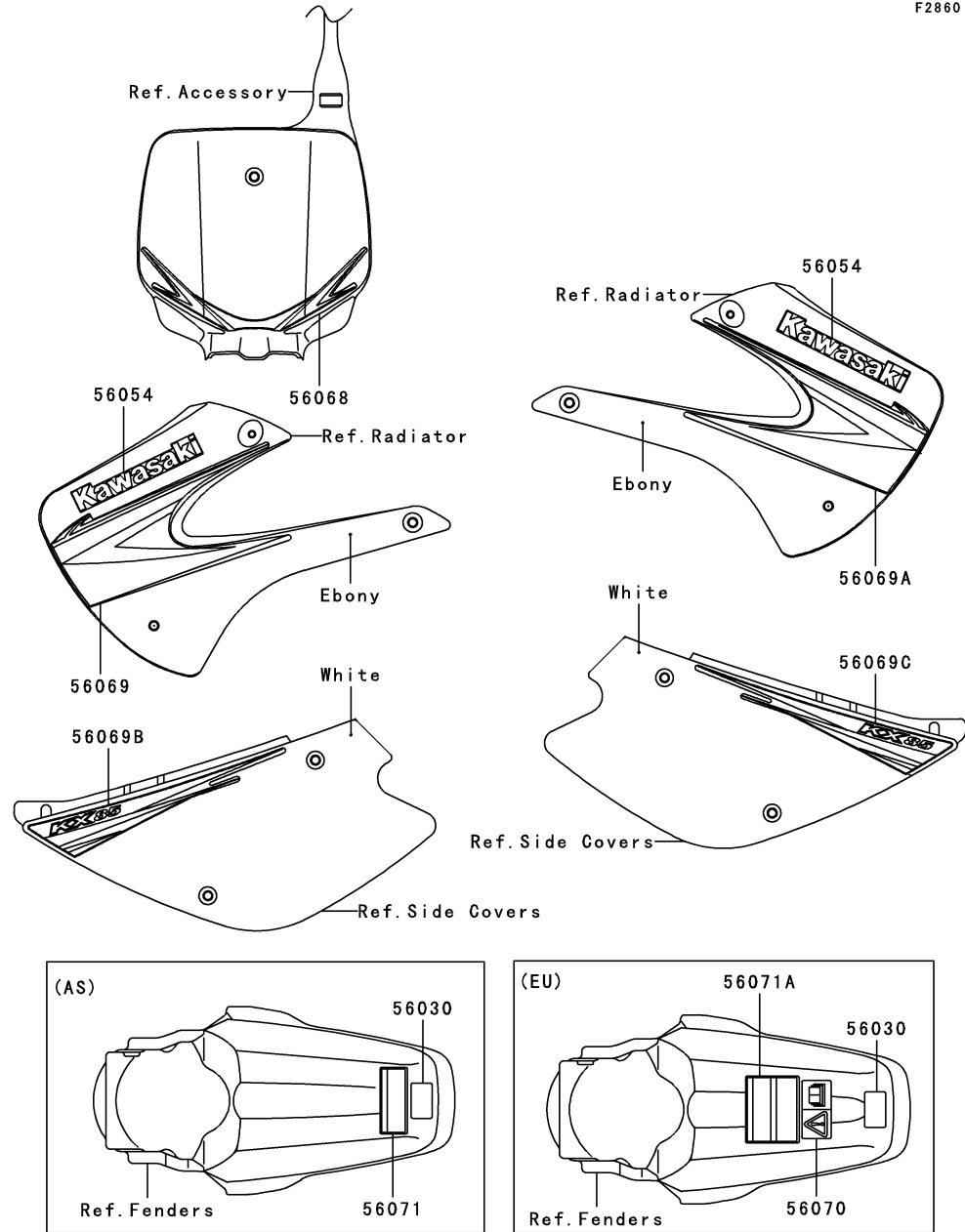
GRID NO.

**F-4**

This grid covers:

**Labels**

F2860



Ref. No.	Part No.	Description	Spec Code	Quantity-KX85			
				'10	'10		
				AAF	BAF		
56030	56030-1230	LABEL,32:1		1	1		
56054	56054-0485	MARK,SHROUD,KAWASAKI		2	2		
56068	56068-1258	PATTERN,NUMBER PLATE		1	1		
56069	56069-0013	PATTERN,SHROUD,LH		1	1		
56069A	56069-0014	PATTERN,SHROUD,RH		1	1		
56069B	56069-0015	PATTERN,SIDE COVER,LH		1	1		
56069C	56069-0016	PATTERN,SIDE COVER,RH		1	1		
56070	56070-3799	LABEL-WARNING,OWNER'S MANUAL	L-----	EU	1	1	
56071	56071-0028	LABEL-WARNING,IMPORTANT NOTICE	L-----	AS	1	1	
56071A	56071-0029	LABEL-WARNING,IMPORTANT NOTICE	L-----	EU	1	1	

This catalog covers:

'10 KX85 AAF/BAF Chassis

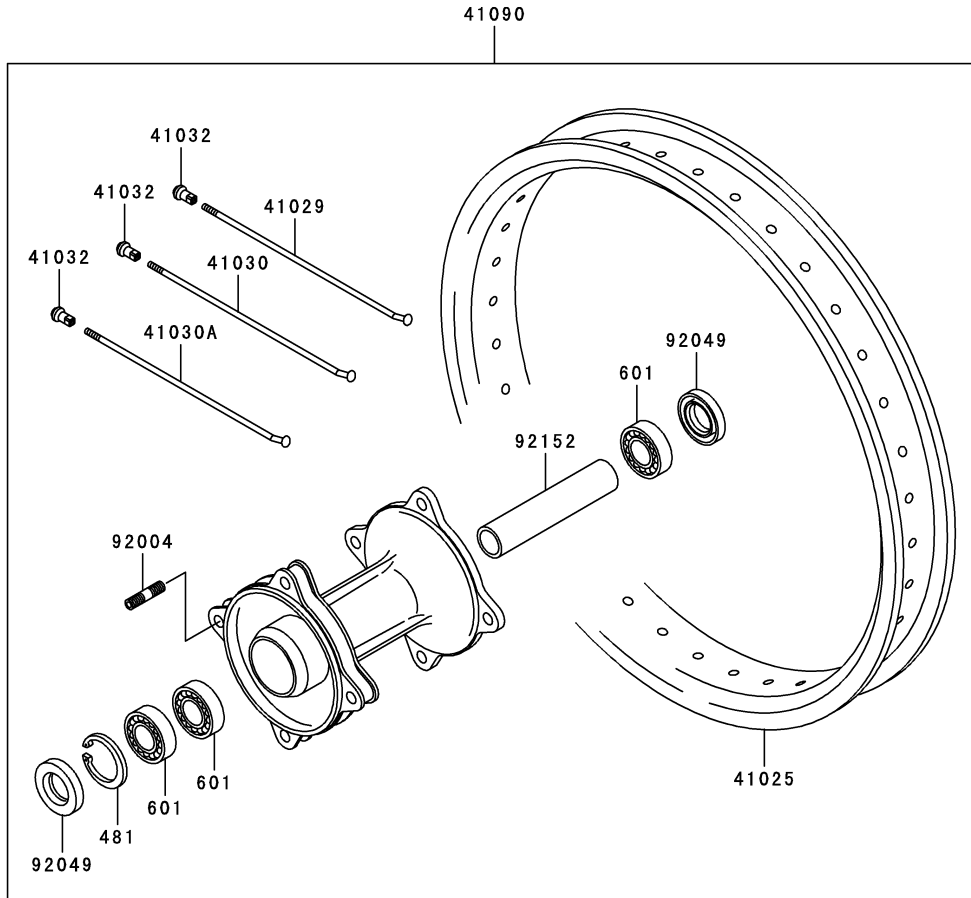
GRID NO.

**F-5**

This grid covers:

**Optional Parts(AAF)**

F2890



Ref. No.	Part No.	Description	Spec Code	Quantity-KX85			
				'10 AAF	'10 BAF		
41025	41025-0001 (OPTION)	RIM,RR,1.60X15					1
41029	41029-0001 (OPTION)	SPOKE-INNER,RR,L&R,167MMX171D					14
41030	41030-0001 (OPTION)	SPOKE-OUTER,RR,LH,165MMX171D					7
41030A	41030-0002 (OPTION)	SPOKE-OUTER,RR,RH,163MMX171D					7
41032	41032-1077 (OPTION)	NIPPLE-SPOKE,8X9X20(+)					28
41090	41090-0001 (OPTION)	WHEEL-SUB ASSY,RR					1
92004	92004-1183 (OPTION)	STUD,8X16					4
92049	92049-1469 (OPTION)	SEAL-OIL					2
92152	92152-1090 (OPTION)	COLLAR,RR BRAKE DRUM,L=95					1
481	481J3500 (OPTION)	CIRCLIP-TYPE-C,35MM					1
601	601B6202UU (OPTION)	BEARING-BALL					3

This catalog covers:

'10 KX85 AAF/BAF Chassis

GRID NO.

**F-6**

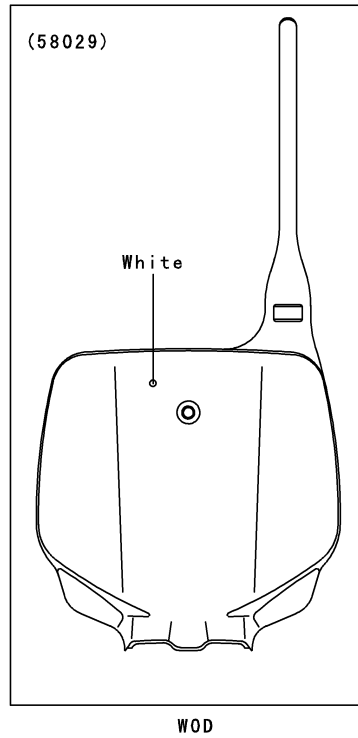
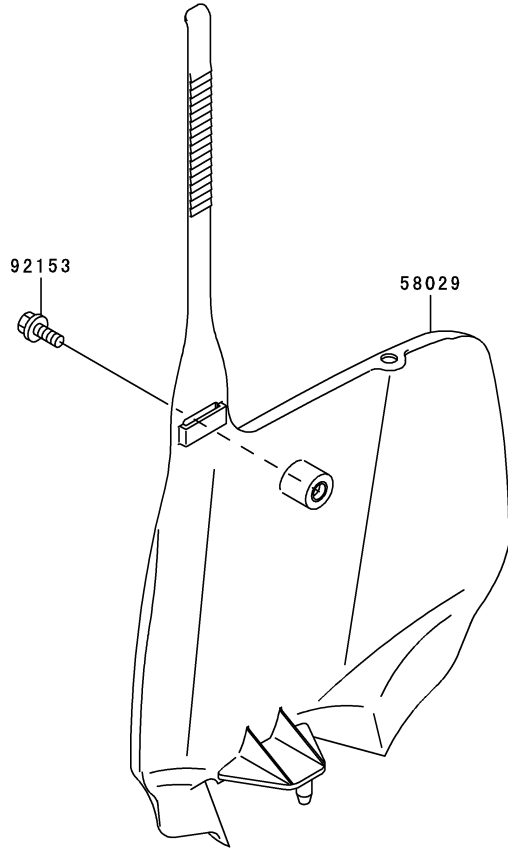
This grid covers:

**Accessory**

F2910



Ref. No.	Part No.	Description	Spec Code	Quantity-KX85			
				'10 AAF	'10 BAF		
58029	58029-1082-266	PLATE-NUMBER,S.WHITE		1	1		
92153	92153-0936	BOLT,FLANGED,6X14		1	1		



This catalog covers:

**'10 KX85 AAF/BAF Chassis**

GRID NO.

**F-7**

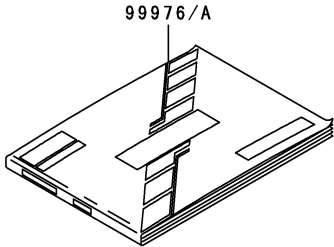
This grid covers:

**Manual(EU)**

F2920

Ref. No.	Part No.	Description	Spec Code	Quantity-KX85			
				'10 AAF	'10 BAF		
99976	99976-1517	OWNER'S MANUAL,EN/FR/DE					
		L-----	EU	1	1		
99976A	99976-1518	OWNER'S MANUAL,IT/ES/NL					
		L-----	EU	1	1		

Owner's Manual  
(Local Procurement)



99976/A

Ref. No.	Language
(99976 )	English
	French
	German
(99976A)	Italian
	Spanish
	Dutch



This catalog covers:

'10 KX85 AAF/BAF

GRID NO.

This grid covers:

**L-14** Numerical Parts Index

Part No.	Grid No.	Part No.	Grid No.	Part No.	Grid No.	Part No.	Grid No.	Part No.	Grid No.	Part No.	Grid No.
11001-1539	B-3	13091-1696	B-4	132BA0616	B-7	21119-0048	C-5	41009-0114	D-10	410AA0800	D-13
11004-1360	B-3	13091-1697	B-4	132BC0618	C-6	21121-0022	C-6	41009-0115	D-10	410AA1400	D-13
11005-0052	B-3	13091-1728	E-8	132BC0620	B-14	21130-1077	C-6	41009-0116	D-10	42036-1067	D-5
11009-1592	E-9	13095-1406	B-8	132BC0620	B-3	214C0518	E-8	41022-1121	D-10	42036-1248	D-6
11009-1759	C-3	13097-1148	B-6	132BC0630	B-14	221AA0510	E-6	41022-1122	D-10	42036-1273	D-6
11011-1612	B-4	130CA0510	B-14	132BC0830	E-8	221AA0616	B-3	41022-1124	D-10	42036-1274	D-6
11012-1263	D-5	130CA0840	E-5	13320-0002	B-13	221AA0618	B-7	41022-1125	D-10	42036-1351	D-6
11012-1391	E-3	13127-1261	B-9	14001-0118	B-12	221AA0620	B-3	41022-1203	D-10	42041-1207	D-13
11012-1692	E-9	13128-0022	B-9	14025-1646	E-8	221AA0645	D-5	41022-1204	D-10	42041-1227	D-13
11013-1271	B-4	13129-1725	B-9	14031-0108	B-13	222E0412	E-8	41023-1068	D-10	42041-1228	D-13
11060-1340	E-11	13129-1730	B-9	14032-0041	B-13	223AB0414	C-4	41023-1072	D-10	42041-1228	D-13
11060-1778	B-3	13140-1302	B-10	14032-0134	B-13	223AB0416	C-4	41023-1074	D-10	42041-1229	D-13
11060-1779	B-3	13140-1303	B-10	14037-1249-6D	C-7	224AA0614	C-5	41023-1082	D-10	42041-1229	D-13
11060-1795	B-13	13140-1304	B-10	14037-1282-6D	C-7	27010-0035	E-8	41023-1122	D-10	42041-1245	D-13
11060-1842	B-5	13141-1120	B-10	14069-1062	B-12	290CA0808	B-7	41023-1123	D-10	42041-1246	D-13
11061-0122	B-13	13144-1022	B-9	14073-1785	B-4	311AA0500	E-8	41024-010	D-10	43010-1079	E-6
11061-0181	E-11	13144-1022	B-9	14090-1811	B-3	32037-1552	D-4	41024-011	D-10	43015-0145	E-4
11061-0184	B-13	13144-1023	B-9	14090-1812	B-3	32037-1553	D-4	41025-0001	F-5	43015-1606	E-6
11061-0194	B-13	13144-1023	B-9	14090-1860-6D	E-4	32085-1437	E-5	41025-0131-WC	D-10	43020-1094	E-6
115BA0825	B-10	13159-1056	E-6	15003-1617	C-3	32099-1036	E-8	41025-0132-WC	D-10	43020-1123	E-4
12021-1123	B-3	13161-1126	B-11	16002-1056	C-3	32099-1044	E-8	41025-0133-WC	D-10	43022-1010	E-4
12022-1084	B-3	13165-1114	B-11	16004-1065	C-3	32160-1486-18R	D-3	41025-0134-WC	D-10	43026-0020	E-4
12053-1203	D-5	13168-1499	B-3	16007-1155	C-3	32160-1667-18R	D-3	41029-0001	F-5	43026-1058	E-6
12053-1204	D-5	13169-012	B-12	16014-1058	C-3	32160-1673-18R	D-3	41029-1274	D-10	43027-1052	E-6
12053-1414	D-5	13183-1182	B-12	16016-1075	C-3	32190-1119	D-4	41029-1278	D-10	43028-1060	E-6
13001-0006	B-6	13187-1013	B-8	16017-1431	C-3	33001-1542-458	D-5	41029-1288	D-10	43028-1067	E-4
13002-1079	B-6	13206-1066	B-7	16021-1161	C-3	33001-1543-458	D-5	41029-1289	D-10	43034-1110	E-4
13008-1200	B-6	13234-0008	B-13	16025-1220	C-3	33032-1161	D-5	41029-1290	D-10	43044-1076	E-7
13031-0040	B-6	13234-1103	B-13	16030-1064	C-3	33040-1173	D-5	41029-1291	D-10	43044-1119	E-5
13032-1230	B-6	13234-1105	B-3	16031-1065	C-3	34024-1404-458	D-9	41030-0001	F-5	43044-1122	D-13
13033-1060	B-6	13236-0023	B-13	16049-1051	C-3	34028-1498-CE	D-7	41030-0002	F-5	43048-1064	E-7
13034-0013	B-6	13236-1152	B-11	16065-1372	B-3	34028-1499-CE	D-7	41030-1150	D-11	43048-1083	E-5
13035-1054	B-6	13236-1298	B-8	16115-018	B-13	35004-0028-290	D-8	41030-1151	D-11	43049-1025	E-7
13037-0050	B-6	13236-1346	E-4	16142-1144	B-13	35011-1845	C-7	41030-1160	D-11	43049-1059	E-5
13037-0051	B-6	13236-1353	D-14	16187-1176	C-3	35019-0080	D-8	41030-1161	D-11	43049-1060	E-7
13061-1712	B-7	13242-1286	B-11	16187-1177	C-3	35022-1353-290	D-8	41032-1077	D-11	43049-1061	E-7
13064-1188	B-7	13260-1014	B-9	16187-1178	C-3	35063-1137	C-7	41032-1077	F-5	43049-1090	E-5
13066-1097	B-7	13260-1950	B-9	16187-1179	C-3	36001-1584-266	E-14	41034-1310	D-12	43056-1054	E-5
13070-0049-6D	E-9	13260-1951	B-9	16187-1180	C-3	36001-1585-266	E-14	41034-1323	D-13	43056-1055	E-7
13070-0050-6D	E-9	13262-0180	B-9	16187-1182	C-3	39007-1261	D-6	41068-1333	D-12	43057-003	E-5
13070-1074	E-8	13262-0181	B-9	16187-1183	C-3	39007-1262	D-6	41068-1401	D-13	43057-1001	E-7
13070-1144	E-6	13262-0298	B-9	16187-1184	C-3	39061-1245	C-7	41080-0111	E-5	43059-1670	E-6
13070-1233	E-3	13262-0299	B-9	16187-1185	C-3	39062-1425	C-7	41080-0112	E-5	43078-1068	E-6
13070-1309	B-13	13262-0300	B-9	16187-1186	C-3	39062-1711	C-7	41080-1492	E-7	43078-1112	E-3
13070-1314	B-7	13270-1829	D-5	18020-1272	B-5	39062-1712	C-7	41080-1493	E-7	43080-0008	E-5
13078-1004	B-7	13270-1899	D-5	18046-1559	B-5	39129-1022	B-13	41090-0001	F-5	43080-5134	E-7
13087-1170	B-8	13270-1905	B-4	18100-0016	B-5	39183-1059	E-8	41090-0101-WC	D-11	43082-1196	E-5
13088-1016	B-8	132BA0612	B-12	18120-1114	B-5	41009-0051	D-10	41090-0102-WC	D-11	43082-1205	E-7
13089-1120	B-8	132BA0612	E-11	21003-0032	C-5	41009-0052	D-10	41090-0103-WC	D-11	43084-003	E-5
13091-1390	B-10	132BA0616	B-11	21007-0073	C-5	41009-0113	D-10	41090-0104-WC	D-11	43089-0008-829	E-3

This catalog covers:

'10 KX85 AAF/BAF

GRID NO.

This grid covers:

L-15

Numerical Parts Index

Part No.	Grid No.	Part No.	Grid No.	Part No.	Grid No.	Part No.	Grid No.	Part No.	Grid No.	Part No.	Grid No.
43095-1091	E-4	49047-1063	B-10	600A1000	B-14	92015-1839	E-9	92043-0004	E-6	92057-1497	D-13
43095-1233	E-6	49047-1064	B-10	601A6001	B-8	92022-077	B-13	92043-1207	C-3	92058-1086	D-13
43095-1234	E-6	49085-1070	C-7	601B6202UU	D-13	92022-077	B-3	92043-1264	B-12	92059-1941	C-4
44008-1041-828	E-9	49085-1073	C-7	601B6202UU	F-5	92022-1028	E-6	92043-1356	E-5	92063-1338	C-4
44013-1442	E-9	49089-1139-6C	C-7	601B6301UU	D-12	92022-107	D-4	92043-1470	B-3	92063-1359	C-4
44013-1484	E-9	49089-1146-6C	C-7	610A0408	B-10	92022-125	D-8	92043-1643	D-7	92063-1360	C-4
44018-1058	E-9	49091-0001	E-4	610A0408	B-14	92022-1275	E-9	92045-0010	B-13	92063-1361	C-4
44023-1119	E-9	49091-0001	E-6	610A0408	B-3	92022-1380	B-13	92045-1058	B-10	92063-1362	C-4
44026-1633	E-9	49110-0010	B-13	670B2012	D-14	92022-1561	D-4	92045-1059	B-12	92063-1364	C-4
44026-1634	E-9	49111-1064	B-13	670E3034	B-5	92022-1601	E-6	92045-1062	D-12	92064-1140	C-4
44026-1635	E-9	49114-0005	B-13	92001-1006	D-4	92022-165	E-11	92045-1118	B-12	92064-1141	C-4
44026-1671	E-9	49116-1153	E-9	92001-1179	D-5	92022-1690	E-11	92045-1226	B-12	92064-1142	C-4
44028-1090	E-9	49116-1181	B-3	92002-1222	B-3	92022-1814	E-4	92045-1304	B-12	92064-1143	C-4
44029-1152	E-9	49123-1054	C-3	92002-1237	B-11	92022-1829	D-7	92045-1305	B-13	92064-1144	C-4
44037-0032-21	E-9	51001-1677-6Z	E-11	92002-1659	B-12	92022-1873	E-9	92045-1360	B-12	92065-058	B-12
44039-0023-21	E-9	51023-0024	E-11	92002-1955	E-3	92022-237	B-5	92045-1450	B-12	92066-1437	B-12
44044-015	E-9	51044-0025	E-11	92004-1183	D-13	92022-304	B-3	92046-1046	D-5	92070-1228	C-6
44070-1631-828	E-9	51048-0014	E-11	92004-1183	F-5	92025-1780	B-8	92046-1144	D-6	92070-1241	C-6
44070-1848-828	E-9	52005-0019	B-13	92004-1252	B-12	92025-1817	E-7	92046-1160	B-13	92071-042	B-12
44070-1849-828	E-9	53066-0093-13R	E-12	92004-1253	B-3	92026-1136	B-6	92046-1192	D-6	92072-0055	E-8
44070-1894-828	E-9	54011-0052	E-13	92004-1254	B-12	92026-1602	B-9	92046-1217	B-13	92072-056	C-7
45014-5013	E-3	54011-1375	E-13	92005-0050	B-3	92027-120	B-5	92046-1254	B-8	92072-1229	E-11
45014-5045	E-3	54012-0096	E-13	92009-1014	B-3	92027-1757	D-8	92049-002	B-13	92072-1293	D-4
45014-5047	E-3	55020-1247-6D	E-7	92009-1286	E-7	92027-1940	B-11	92049-0069	D-6	92075-1352	C-7
46003-0027-458	E-8	55020-1611-6D	E-9	92009-1458	E-4	92027-1966	E-11	92049-1188	B-12	92075-1414	E-7
46012-0011-21	E-8	55020-1612-6D	E-9	92009-1476	E-8	92027-2096	E-11	92049-1238	B-3	92075-1598	B-5
46019-1054	E-8	550AA2015	E-6	92009-1530	E-11	92028-1656	E-9	92049-1257	D-12	92075-1787	E-11
46075-1024	E-8	550AA2518	D-4	92009-1563	B-12	92028-1811	B-8	92049-1262	B-13	92081-020	B-7
46076-1203	E-8	550AA2520	D-12	92009-1568	E-9	92033-0005	B-6	92049-1292	B-12	92081-076	B-11
46092-1165	E-8	550AA2520	D-13	92009-1607	B-7	92033-028	B-9	92049-1328	D-6	92081-122	B-7
46102-1291	D-6	550S3020	D-7	92009-1828	D-5	92033-1079	B-9	92049-1366	B-13	92081-1492	B-8
46102-1409	B-8	56030-1230	F-4	92015-077	C-5	92033-1091	E-3	92049-1394	E-9	92081-1502	E-7
46102-1411	E-3	56054-0485	F-4	92015-1014	D-5	92033-1186	E-6	92049-1414	B-13	92081-1555	C-4
480J1200	B-7	56068-1258	F-4	92015-1078	B-5	92033-1211	E-3	92049-1468	B-7	92081-1716	B-11
480J1500	B-7	56069-0013	F-4	92015-1143	D-4	92036-018	C-3	92049-1469	D-13	92083-012	B-11
480J1600	B-7	56069-0014	F-4	92015-1259	B-4	92037-1173	B-3	92049-1469	F-5	92093-1200	B-5
481J2400	B-14	56069-0015	F-4	92015-1339	D-8	92037-1173	C-6	92051-005	B-12	92093-1426	E-10
481J3500	D-13	56069-0016	F-4	92015-1401	D-13	92037-1318	B-12	92055-022	B-9	92093-1436	D-6
481J3500	F-5	56070-3799	F-4	92015-1432	D-13	92037-1362	E-4	92055-1123	E-9	92104-002	F-3
481J3700	D-12	56071-0028	F-4	92015-1432	D-4	92037-1363	E-4	92055-1156	E-9	92110-1119	F-3
482J5000	B-3	56071-0029	F-4	92015-1433	D-12	92037-1396	C-3	92055-1167	C-3	92116-1065	D-3
49006-0078	E-4	58029-1082-266	F-6	92015-1433	D-6	92037-147	C-3	92055-1251	E-6	92122-1213	D-4
49006-1017	E-8	59051-1026	B-7	92015-1487	C-7	92037-1486	B-4	92055-1334	E-3	92143-1055	B-11
49006-1054	E-5	59051-1146	B-6	92015-1528	E-4	92037-1589	C-7	92055-1383	E-3	92143-1087	C-7
49006-1055	E-5	59051-1147	B-7	92015-1574	C-3	92037-1710	E-6	92055-1389	C-4	92143-1196	C-7
49006-1088	E-7	59051-1412	B-13	92015-1596	E-8	92037-1712	C-3	92055-1441	E-9	92143-1196	E-14
49006-1089	E-7	59101-1110	E-8	92015-1653	E-9	92037-1843	B-3	92055-1461	B-5	92143-1432	D-4
49006-1097	E-8	59231-1096	E-11	92015-1679	E-3	92037-1969	C-3	92055-1502	E-10	92143-1676	D-5
49006-1313	B-13	59256-1064	B-13	92015-1684	D-3	92038-001	C-5	92055-1566	B-3	92143-1932	B-13
49016-1044	E-4	600A0800	B-7	92015-1713	E-3	92042-007	B-12	92057-1496	D-13	92143-1933	B-13



This catalog covers:

**'10 KX85 AAF/BAF**

GRID NO.

**B-16**

This grid covers:

**Part Name Index**

Accessory.....	F-6
Air Cleaner.....	B-4
Brake Pedal.....	D-14
Cables.....	E-13
Carburetor.....	C-3/C-4
Clutch.....	B-8
Crankcase.....	B-12
Crankshaft.....	B-6
Cylinder.....	B-3
Cylinder Head.....	B-3
Engine Cover(s).....	B-13/B-14
Engine Mount.....	D-4
Fenders.....	D-8
Footrests.....	D-7
Frame.....	D-3
Front Brake.....	E-5
Front Fork.....	E-10/E-9
Front Hub.....	D-12
Front Master Cylinder.....	E-4
Fuel Tank.....	E-11
Gear Change Drum.....	B-10
Gear Change Mechanism.....	B-11

Generator.....	C-5
Handlebar.....	E-8
Ignition System.....	C-6
Kickstarter Mechanism.....	B-7
Labels.....	F-4
Manual(EU).....	F-7
Muffler(s).....	B-5
Optional Parts(AAF).....	F-5
Owner's Tools.....	F-3
Piston(s).....	B-6
Radiator.....	C-7
Rear Brake.....	E-7
Rear Hub.....	D-13
Rear Master Cylinder.....	E-6
Seat.....	E-12
Shift Fork(s).....	B-10
Shock Absorber(s).....	E-3
Side Covers.....	E-14
Stand(s).....	D-9
Suspension.....	D-6
Swingarm.....	D-5
Tires.....	D-10/D-11
Transmission.....	B-9

This catalog covers:

'10 KX85 AAF/BAF

GRID NO.

**C-16**

This grid covers:

**Part Name Index**

Accessory.....	F-6
Air Cleaner.....	B-4
Brake Pedal.....	D-14
Cables.....	E-13
Carburetor.....	C-3/C-4
Clutch.....	B-8
Crankcase.....	B-12
Crankshaft.....	B-6
Cylinder.....	B-3
Cylinder Head.....	B-3
Engine Cover(s).....	B-13/B-14
Engine Mount.....	D-4
Fenders.....	D-8
Footrests.....	D-7
Frame.....	D-3
Front Brake.....	E-5
Front Fork.....	E-10/E-9
Front Hub.....	D-12
Front Master Cylinder.....	E-4
Fuel Tank.....	E-11
Gear Change Drum.....	B-10
Gear Change Mechanism.....	B-11

Generator.....	C-5
Handlebar.....	E-8
Ignition System.....	C-6
Kickstarter Mechanism.....	B-7
Labels.....	F-4
Manual(EU).....	F-7
Muffler(s).....	B-5
Optional Parts(AAF).....	F-5
Owner's Tools.....	F-3
Piston(s).....	B-6
Radiator.....	C-7
Rear Brake.....	E-7
Rear Hub.....	D-13
Rear Master Cylinder.....	E-6
Seat.....	E-12
Shift Fork(s).....	B-10
Shock Absorber(s).....	E-3
Side Covers.....	E-14
Stand(s).....	D-9
Suspension.....	D-6
Swingarm.....	D-5
Tires.....	D-10/D-11
Transmission.....	B-9

This catalog covers:

**'10 KX85 AAF/BAF**

GRID NO.

**D-16**

This grid covers:

**Part Name Index**

Accessory.....	F-6
Air Cleaner.....	B-4
Brake Pedal.....	D-14
Cables.....	E-13
Carburetor.....	C-3/C-4
Clutch.....	B-8
Crankcase.....	B-12
Crankshaft.....	B-6
Cylinder.....	B-3
Cylinder Head.....	B-3
Engine Cover(s).....	B-13/B-14
Engine Mount.....	D-4
Fenders.....	D-8
Footrests.....	D-7
Frame.....	D-3
Front Brake.....	E-5
Front Fork.....	E-10/E-9
Front Hub.....	D-12
Front Master Cylinder.....	E-4
Fuel Tank.....	E-11
Gear Change Drum.....	B-10
Gear Change Mechanism.....	B-11

Generator.....	C-5
Handlebar.....	E-8
Ignition System.....	C-6
Kickstarter Mechanism.....	B-7
Labels.....	F-4
Manual(EU).....	F-7
Muffler(s).....	B-5
Optional Parts(AAF).....	F-5
Owner's Tools.....	F-3
Piston(s).....	B-6
Radiator.....	C-7
Rear Brake.....	E-7
Rear Hub.....	D-13
Rear Master Cylinder.....	E-6
Seat.....	E-12
Shift Fork(s).....	B-10
Shock Absorber(s).....	E-3
Side Covers.....	E-14
Stand(s).....	D-9
Suspension.....	D-6
Swingarm.....	D-5
Tires.....	D-10/D-11
Transmission.....	B-9

This catalog covers:

'10 KX85 AAF/BAF

GRID NO.

**E-16**

This grid covers:

**Part Name Index**

Accessory.....	F-6
Air Cleaner.....	B-4
Brake Pedal.....	D-14
Cables.....	E-13
Carburetor.....	C-3/C-4
Clutch.....	B-8
Crankcase.....	B-12
Crankshaft.....	B-6
Cylinder.....	B-3
Cylinder Head.....	B-3
Engine Cover(s).....	B-13/B-14
Engine Mount.....	D-4
Fenders.....	D-8
Footrests.....	D-7
Frame.....	D-3
Front Brake.....	E-5
Front Fork.....	E-10/E-9
Front Hub.....	D-12
Front Master Cylinder.....	E-4
Fuel Tank.....	E-11
Gear Change Drum.....	B-10
Gear Change Mechanism.....	B-11

Generator.....	C-5
Handlebar.....	E-8
Ignition System.....	C-6
Kickstarter Mechanism.....	B-7
Labels.....	F-4
Manual(EU).....	F-7
Muffler(s).....	B-5
Optional Parts(AAF).....	F-5
Owner's Tools.....	F-3
Piston(s).....	B-6
Radiator.....	C-7
Rear Brake.....	E-7
Rear Hub.....	D-13
Rear Master Cylinder.....	E-6
Seat.....	E-12
Shift Fork(s).....	B-10
Shock Absorber(s).....	E-3
Side Covers.....	E-14
Stand(s).....	D-9
Suspension.....	D-6
Swingarm.....	D-5
Tires.....	D-10/D-11
Transmission.....	B-9

This catalog covers:

'10 KX85 AAF/BAF

GRID NO.

**F-16**

This grid covers:

**Part Name Index**

Accessory.....	F-6
Air Cleaner.....	B-4
Brake Pedal.....	D-14
Cables.....	E-13
Carburetor.....	C-3/C-4
Clutch.....	B-8
Crankcase.....	B-12
Crankshaft.....	B-6
Cylinder.....	B-3
Cylinder Head.....	B-3
Engine Cover(s).....	B-13/B-14
Engine Mount.....	D-4
Fenders.....	D-8
Footrests.....	D-7
Frame.....	D-3
Front Brake.....	E-5
Front Fork.....	E-10/E-9
Front Hub.....	D-12
Front Master Cylinder.....	E-4
Fuel Tank.....	E-11
Gear Change Drum.....	B-10
Gear Change Mechanism.....	B-11

Generator.....	C-5
Handlebar.....	E-8
Ignition System.....	C-6
Kickstarter Mechanism.....	B-7
Labels.....	F-4
Manual(EU).....	F-7
Muffler(s).....	B-5
Optional Parts(AAF).....	F-5
Owner's Tools.....	F-3
Piston(s).....	B-6
Radiator.....	C-7
Rear Brake.....	E-7
Rear Hub.....	D-13
Rear Master Cylinder.....	E-6
Seat.....	E-12
Shift Fork(s).....	B-10
Shock Absorber(s).....	E-3
Side Covers.....	E-14
Stand(s).....	D-9
Suspension.....	D-6
Swingarm.....	D-5
Tires.....	D-10/D-11
Transmission.....	B-9