

This catalog covers:

'06~'07 KX85 A6F/A7F/B6F/B7F

GRID NO.

A-1

This grid covers:

Title



## PARTS CATALOG

'06~'07 KX85 A6F/A7F/B6F/B7F

(KX85/KX85-II)

Publications .....	A-2
Model Identification .....	A-4
Engine .....	B-1
Chassis .....	D-1

© Kawasaki Heavy Industries, Ltd. 2006

Engine No. Location:

RH crankcase, below carburetor

**Year & Model**

'06 KX85A6F

**'07 KX85A7F**

**Color**

1. Lime Green (777)

1. Lime Green (777)

**VIN No. Range**

JKBKX085AAA031001 ~ 036000

JKBKX085AAA036001 ~

JKBKXFAC√6A031001 ~ 036000 (Australia only)

JKBKXFAC√7A036001 ~ (Australia only)

**Engine No. Range**

KX085AE000001 ~

KX085AE000001 ~

**Year & Model**

'06 KX85B6F

**'07 KX85B7F**

**Color**

1. Lime Green (777)

1. Lime Green (777)

**VIN No. Range**

JKBKX085BBA015001 ~ 018000

JKBKX085BBA018001 ~

JKBKXFBC√6A015001 ~ 018000 (Australia only)

JKBKXFBC√7A018001 ~ (Australia only)

**Engine No. Range**

KX085AE000001 ~

KX085AE000001 ~

This catalog covers:

'06~'07 KX85 A6F/A7F/B6F/B7F

GRID NO.

**A-2**

This grid covers:

**Publications**

Year & Model	Owner's Manual	A&P Manual		Service Manual		Microfiche
		General	Supplement	Basic	Supplement	
2006 KX85A6F	Local Procurement 99986-1296(Australia only)	99939-1291-01		99924-1265-06		99912-1272-02
2007 KX85A7F	Local Procurement 99986-1365(Australia only)	99939-1318-01		See above		See above
2006 KX85B6F	Local Procurement 99986-1296(Australia only)	99939-1291-01		See above		See above
2007 KX85B7F	Local Procurement 99986-1365(Australia only)	99939-1318-01		See above		See above



This catalog covers:

'06~'07 KX85 A6F/A7F/B6F/B7F

GRID NO.

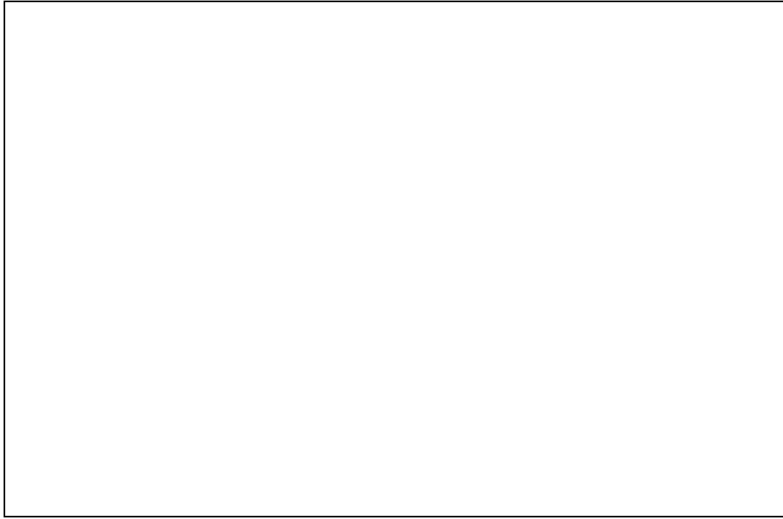
A-4

This grid covers:

Model I.D. '06~'07 KX85 A6F/A7F

# KX85A6F

Left Side View

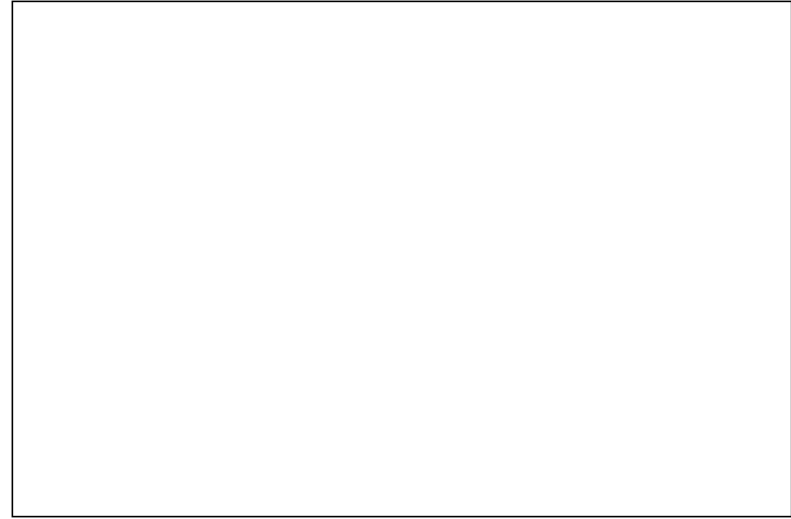


Right Side View



# KX85A7F

Left Side View



Right Side View



This catalog covers:

'06~'07 KX85 A6F/A7F/B6F/B7F

GRID NO.

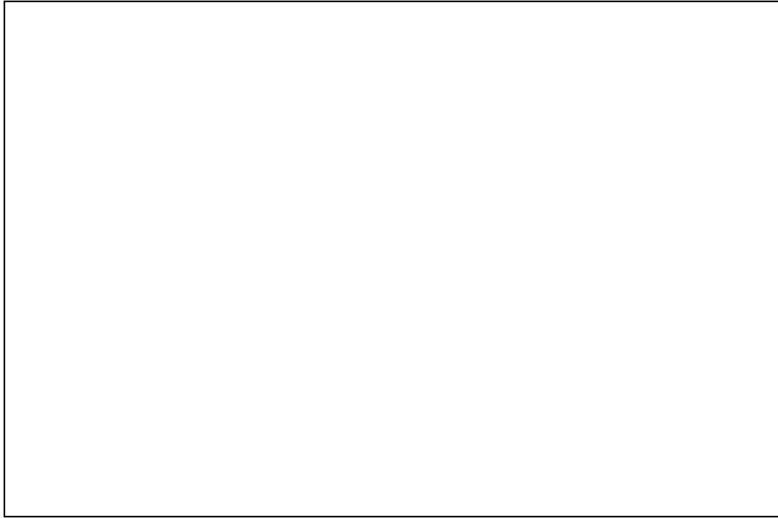
A-5

This grid covers:

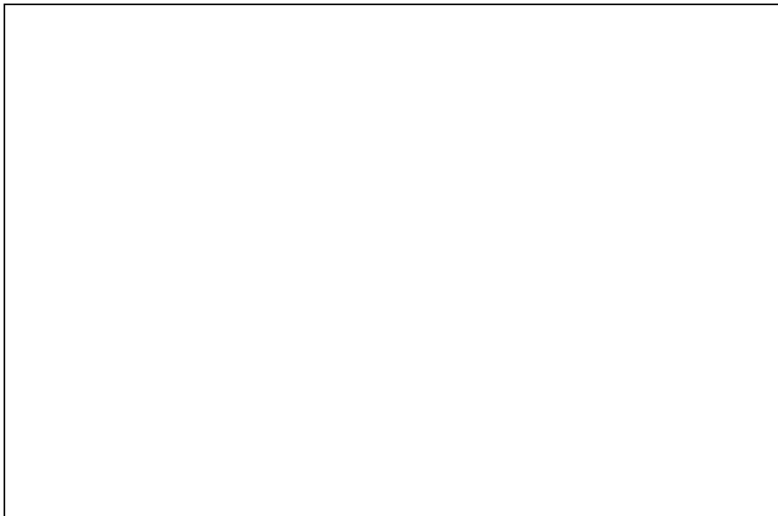
Model I.D. '06~'07 KX85 B6F/B7F

# KX85B6F

Left Side View

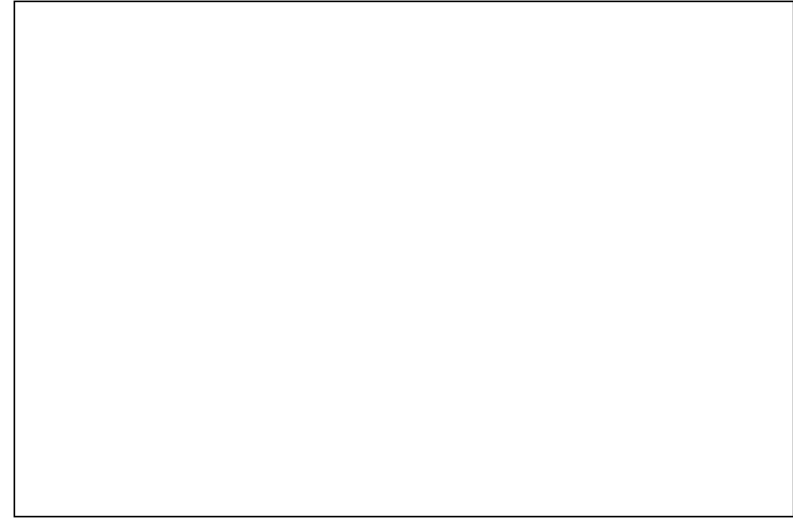


Right Side View



# KX85B7F

Left Side View



Right Side View





















This catalog covers:

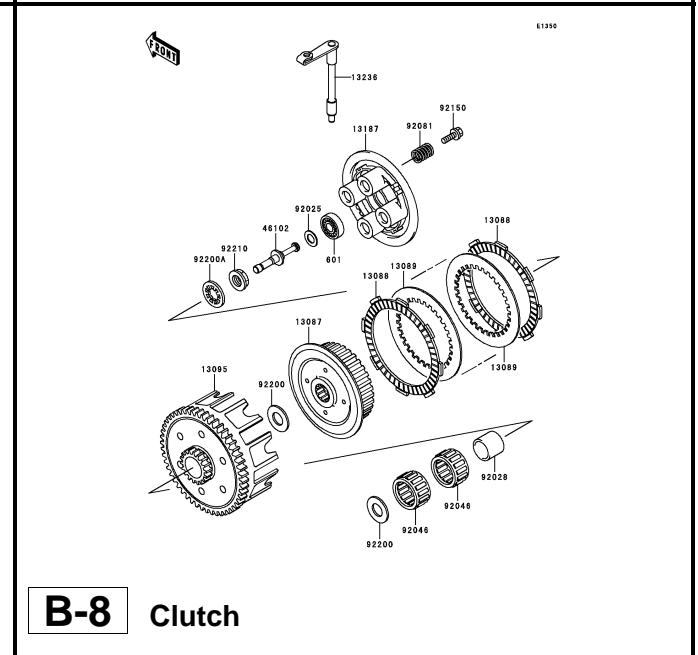
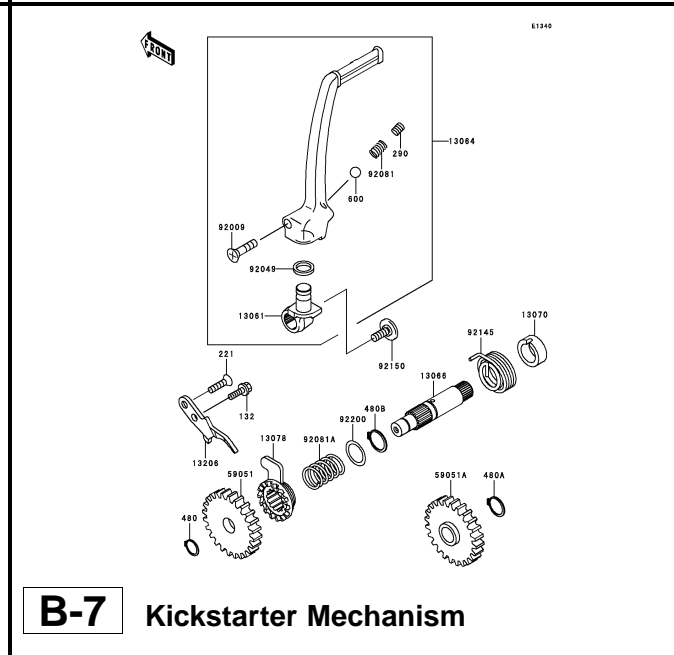
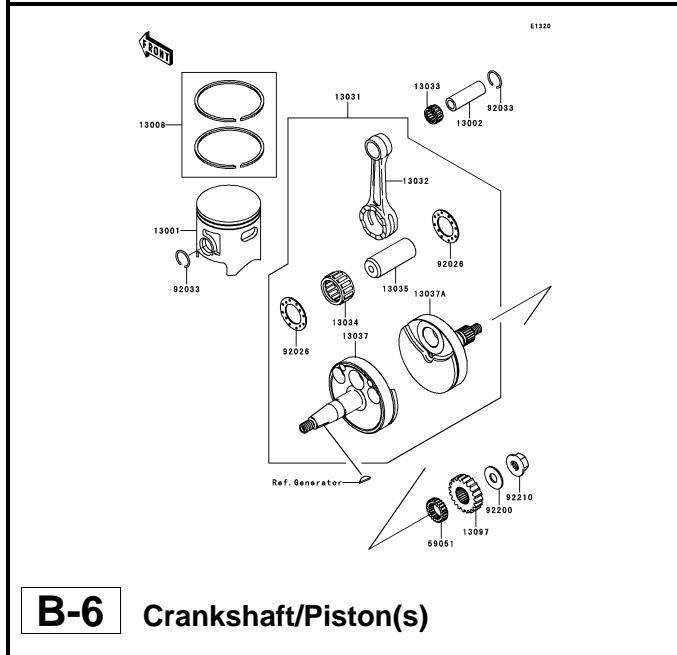
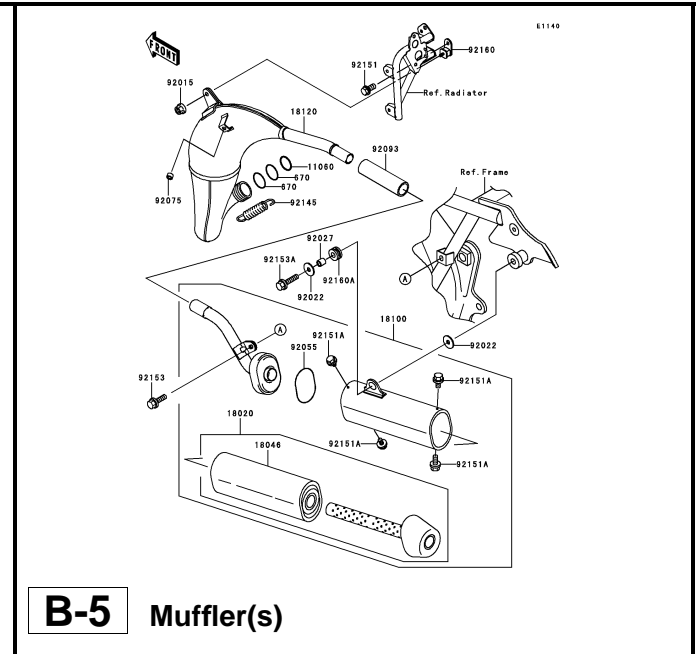
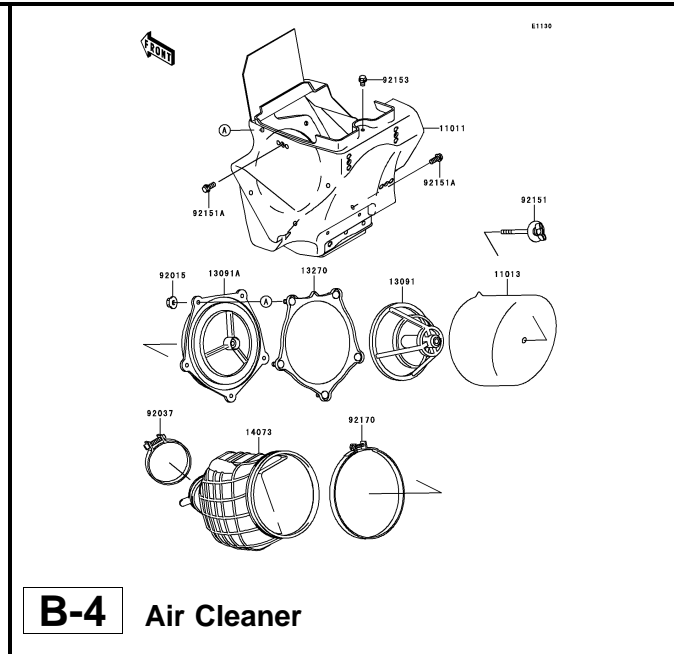
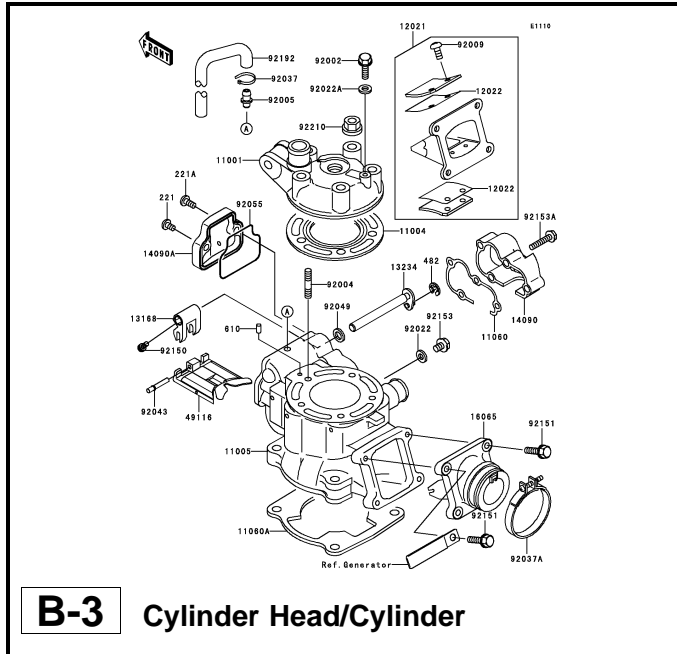
'06~'07 KX85 A6F/A7F/B6F/B7F Engine

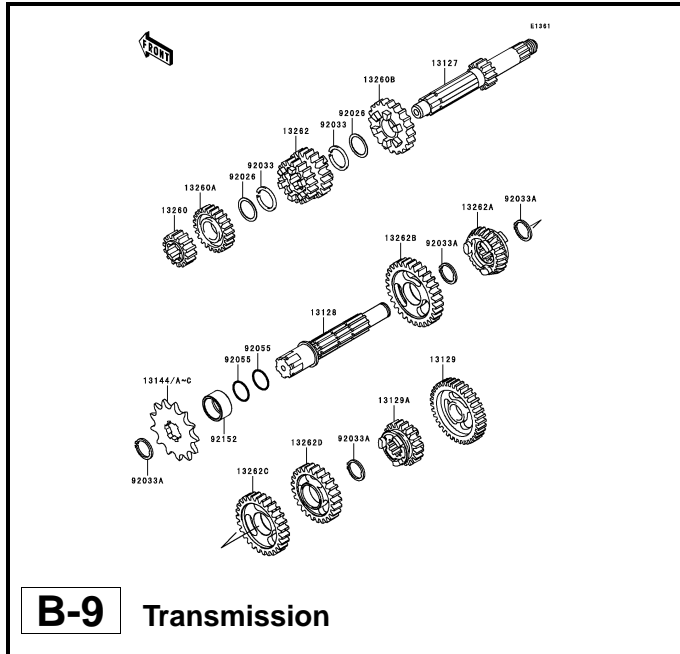
GRID NO.

**B-1**

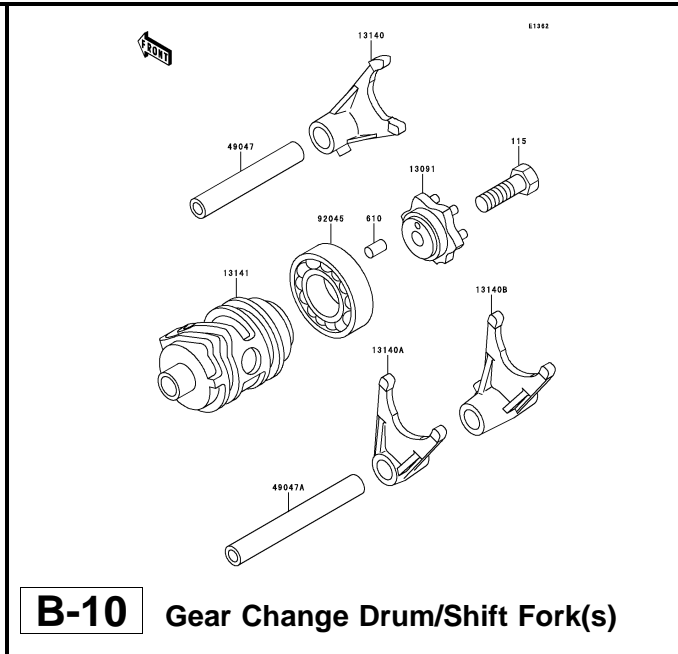
This grid covers:

**Pictorial Index**

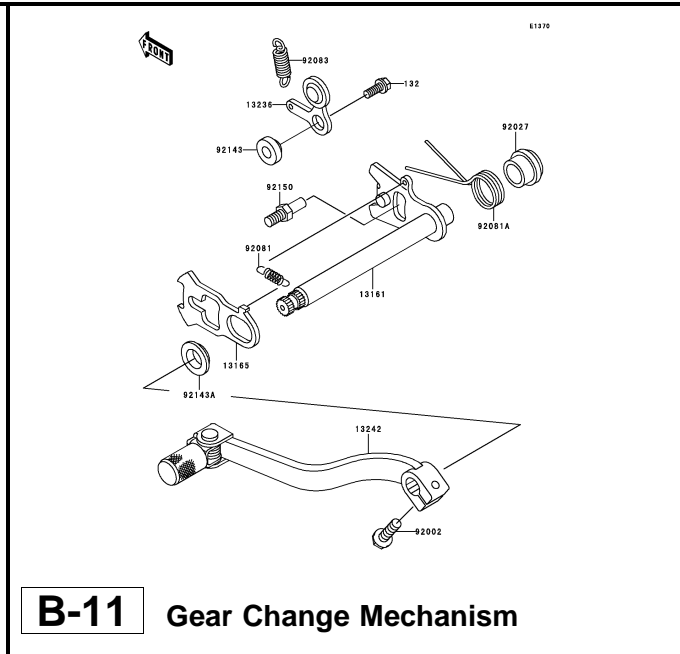




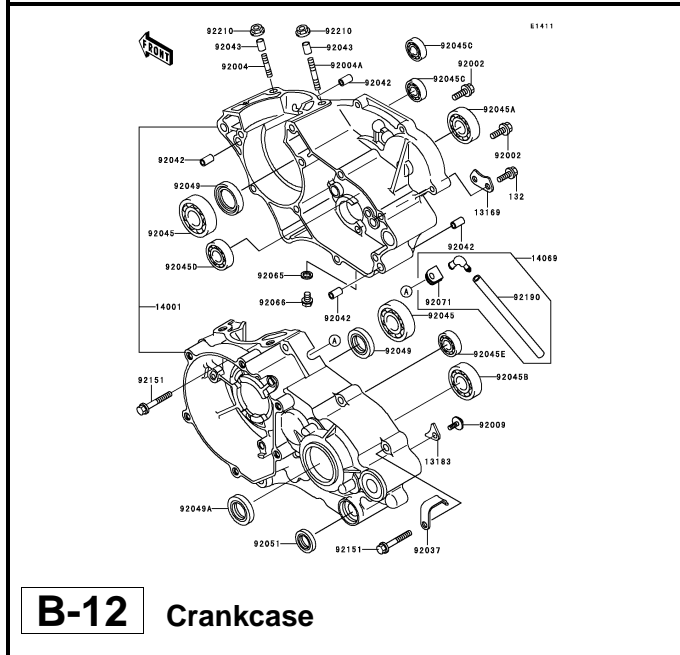
**B-9** Transmission



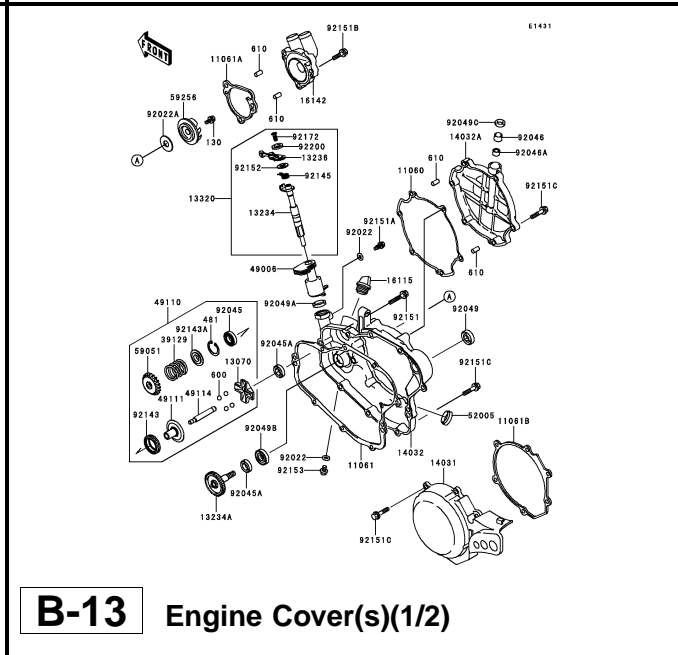
**B-10** Gear Change Drum/Shift Fork(s)



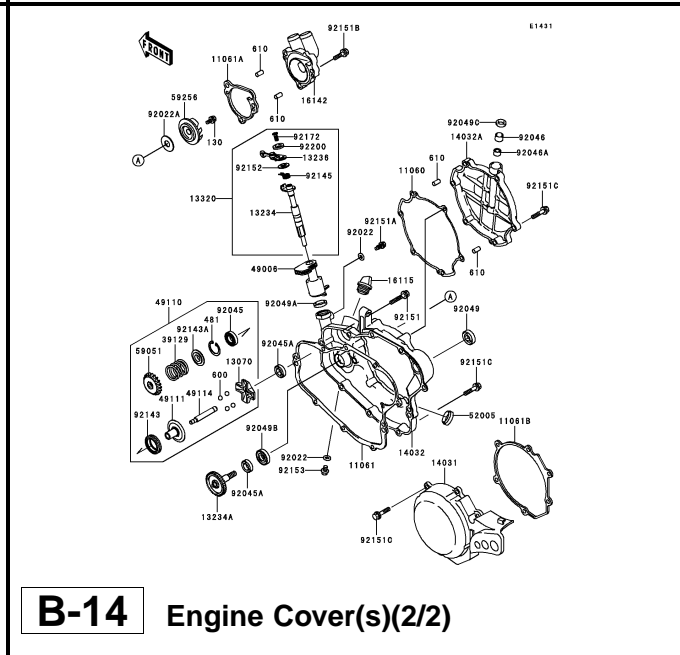
**B-11** Gear Change Mechanism



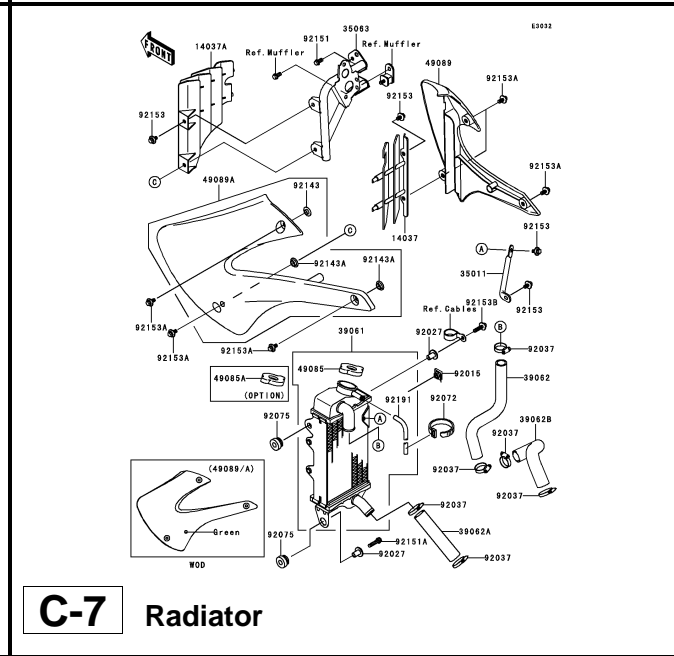
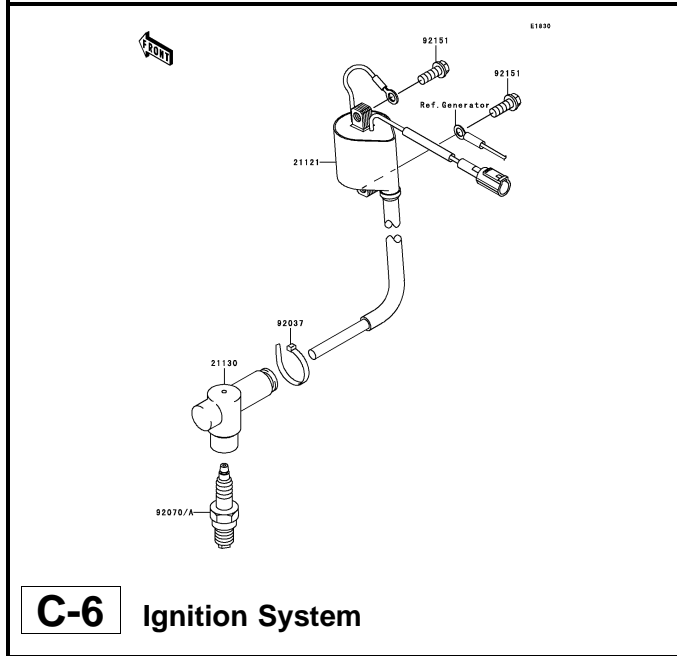
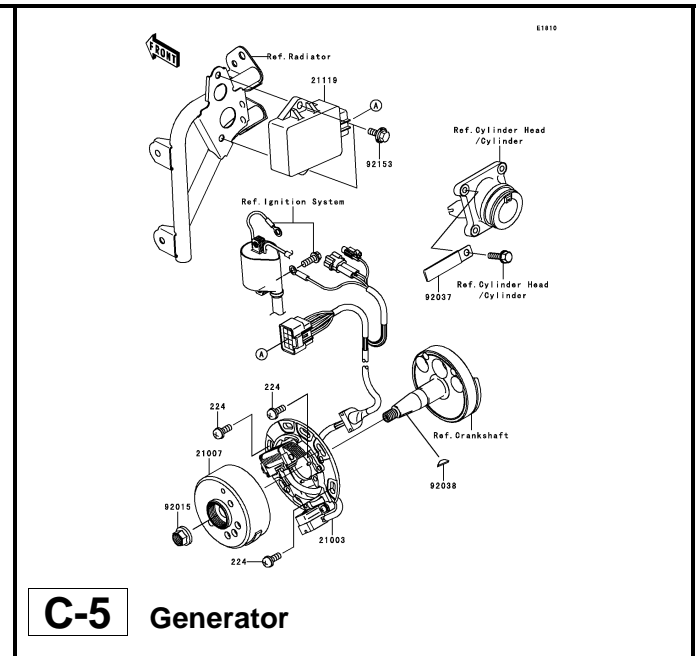
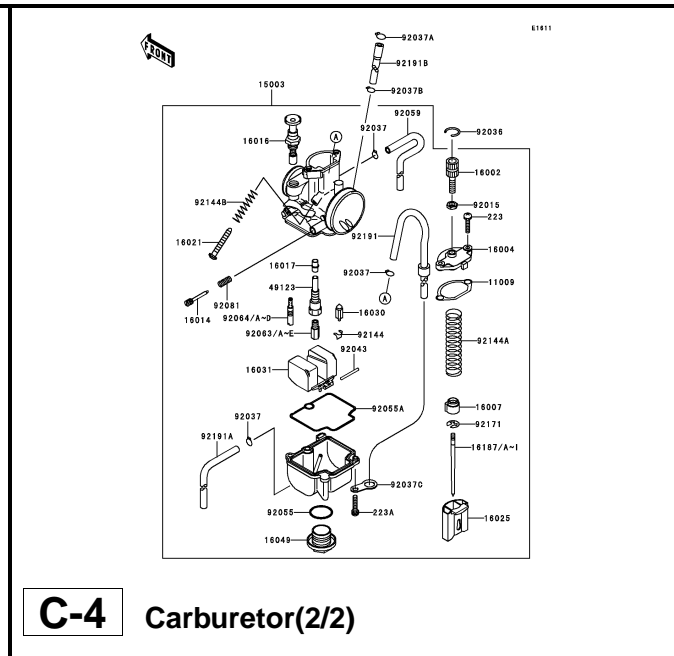
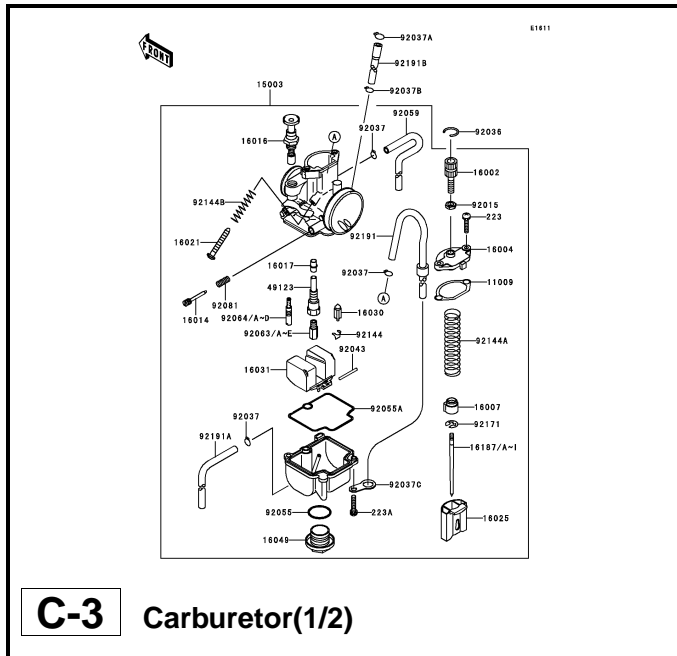
**B-12** Crankcase



**B-13** Engine Cover(s)(1/2)



**B-14** Engine Cover(s)(2/2)





*This catalog covers:*

**'06~'07 KX85 A6F/A7F/B6F/B7F Engine**

*GRID NO.*

**C-2**

*This grid covers:*

**Pictorial Index**


This catalog covers:

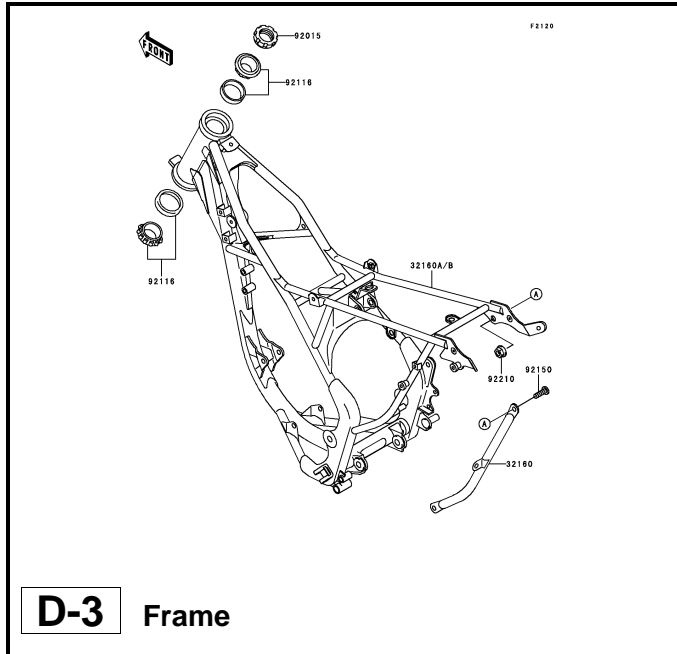
'06~'07 KX85 A6F/A7F/B6F/B7F Chassis

GRID NO.

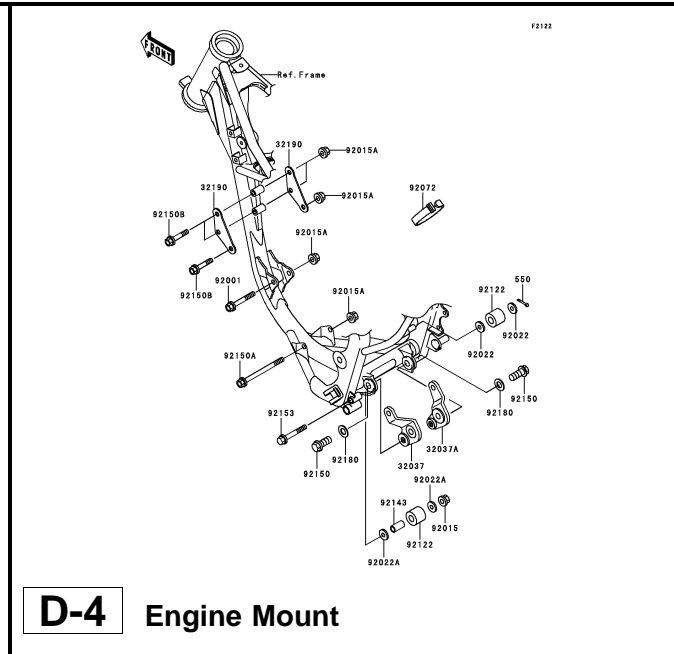
D-1

This grid covers:

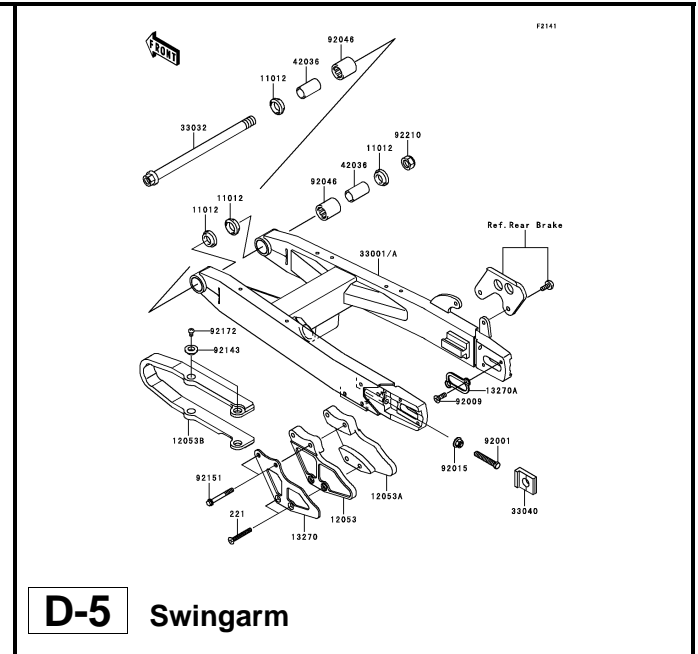
Pictorial Index



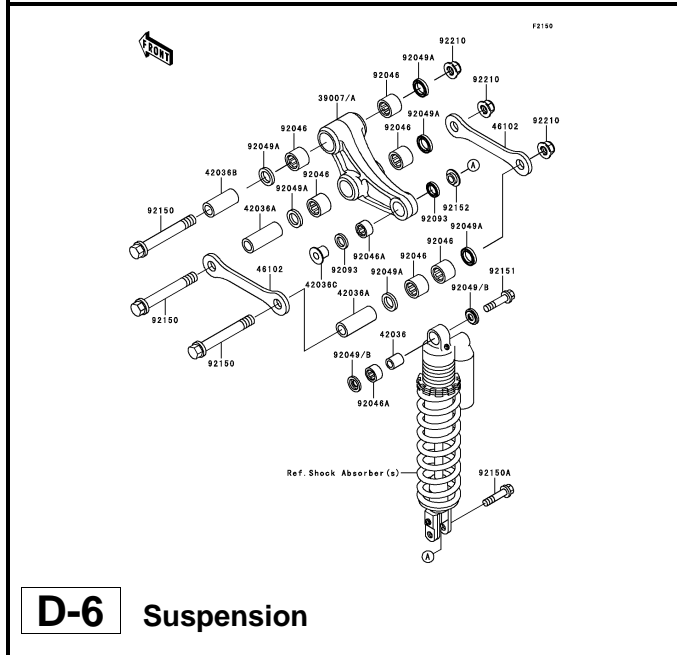
**D-3** Frame



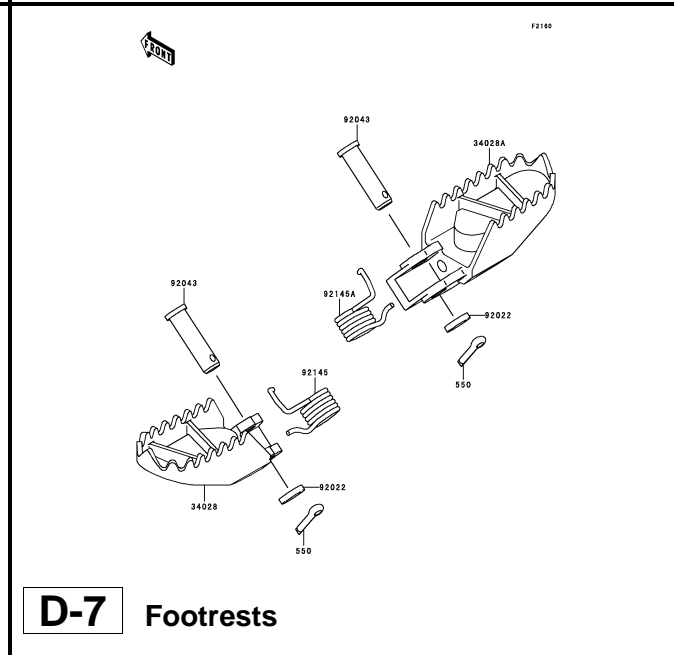
**D-4** Engine Mount



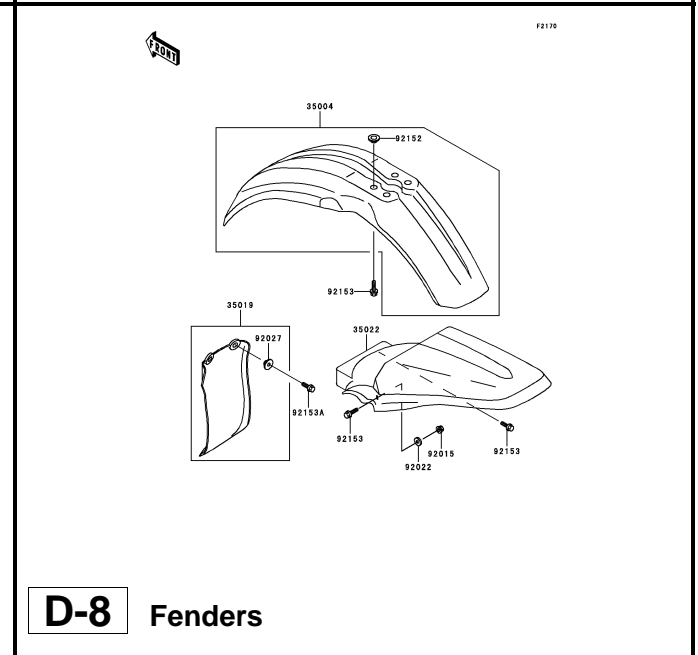
**D-5** Swingarm



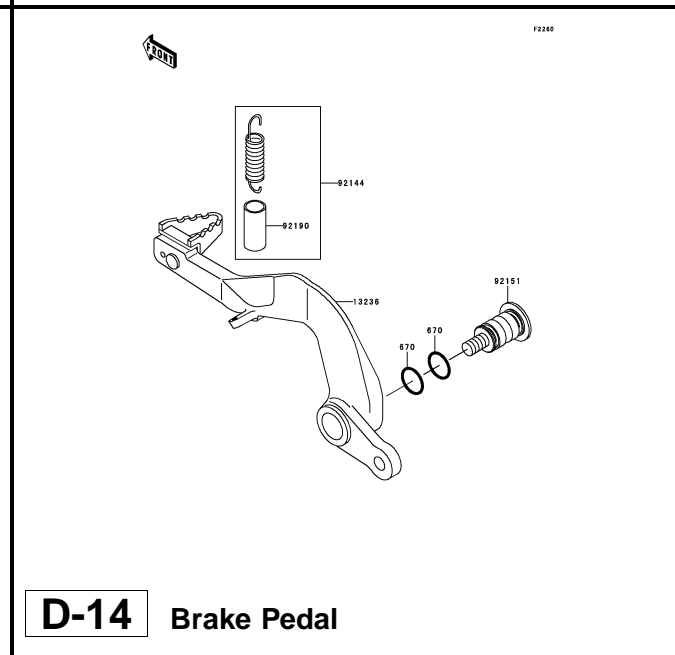
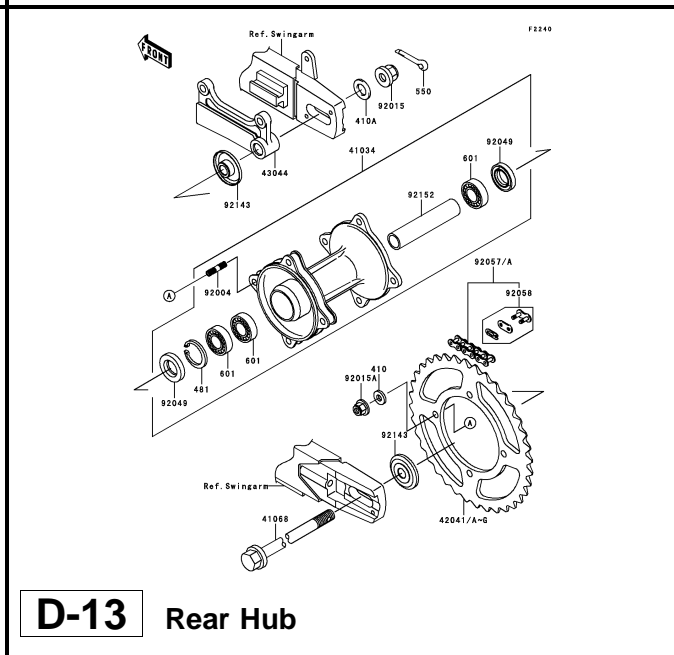
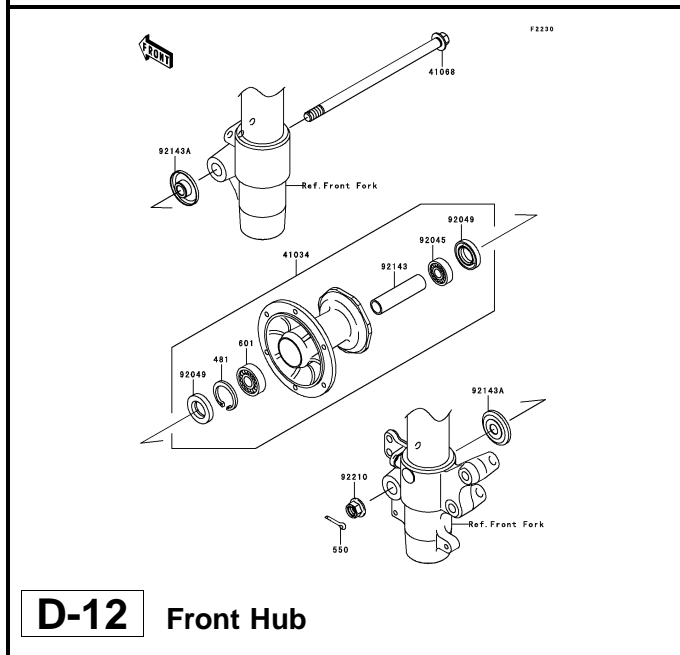
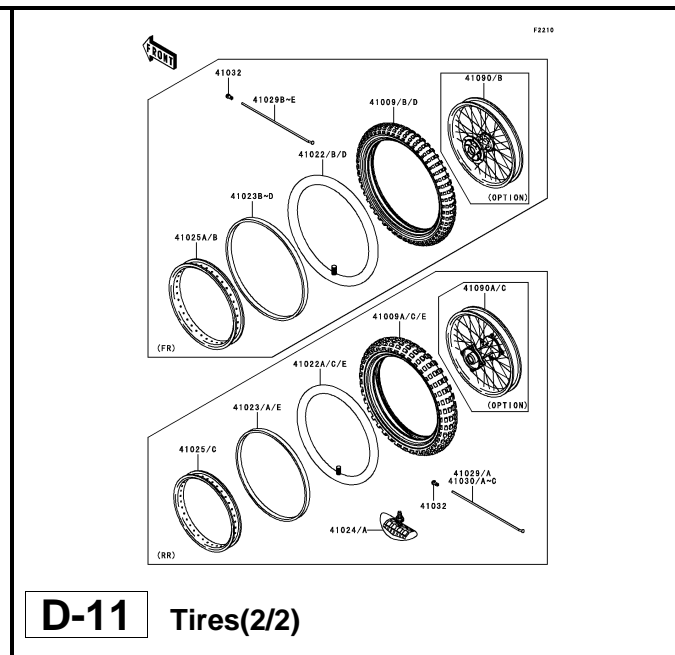
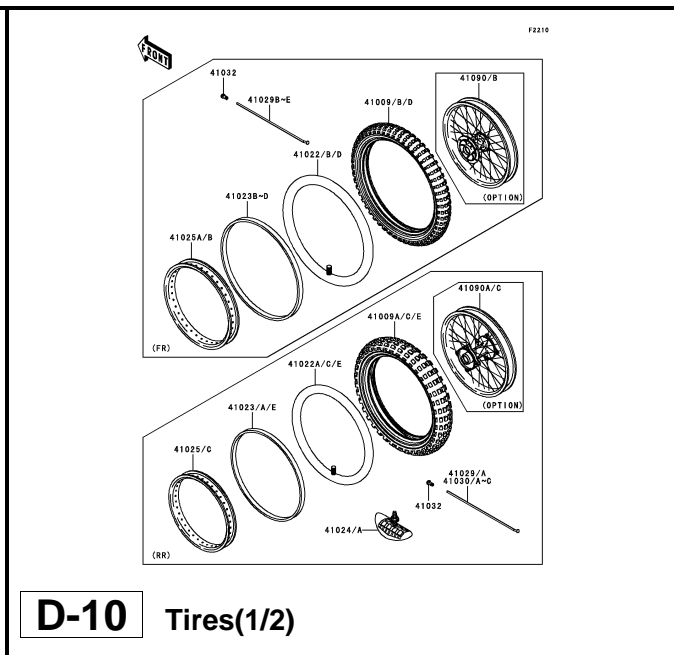
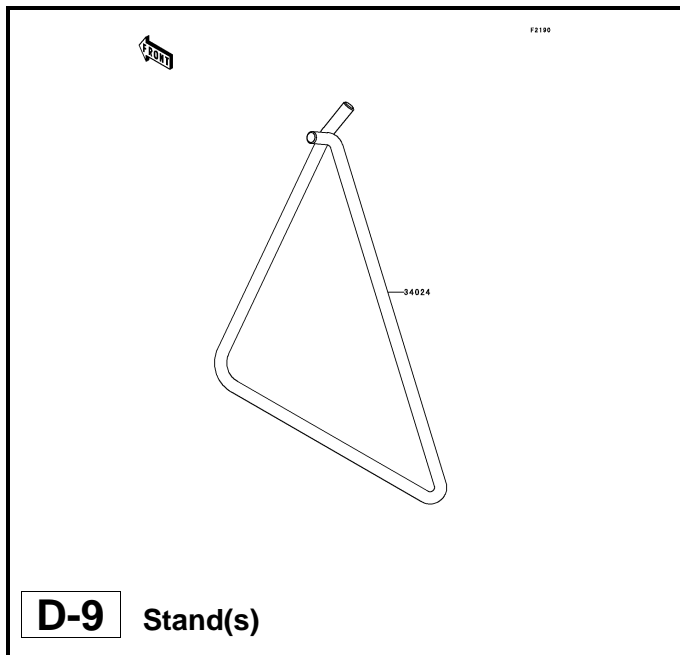
**D-6** Suspension



**D-7** Footrests



**D-8** Fenders



This catalog covers:

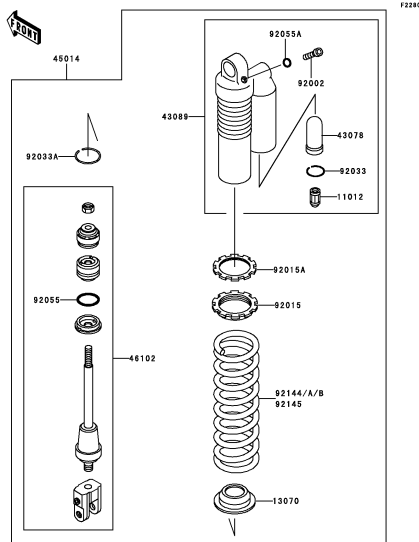
'06~'07 KX85 A6F/A7F/B6F/B7F Chassis

GRID NO.

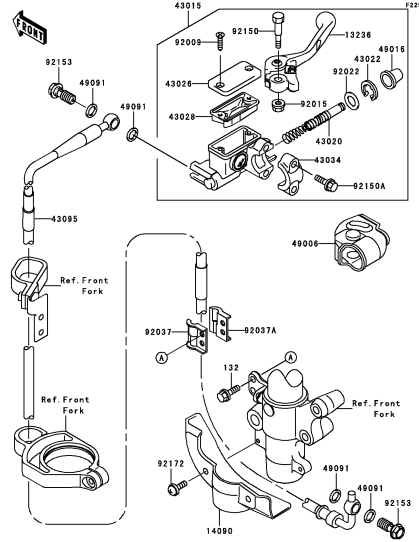
E-1

This grid covers:

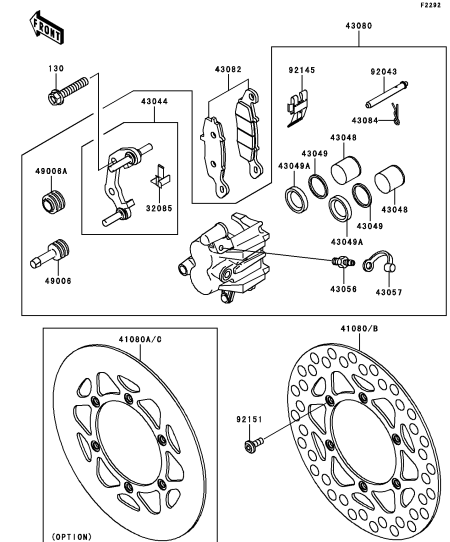
Pictorial Index



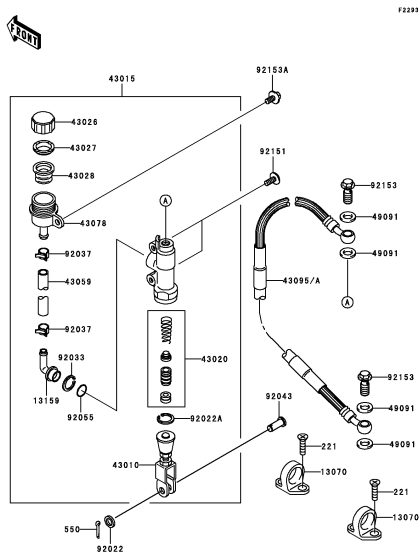
**E-3** Shock Absorber(s)



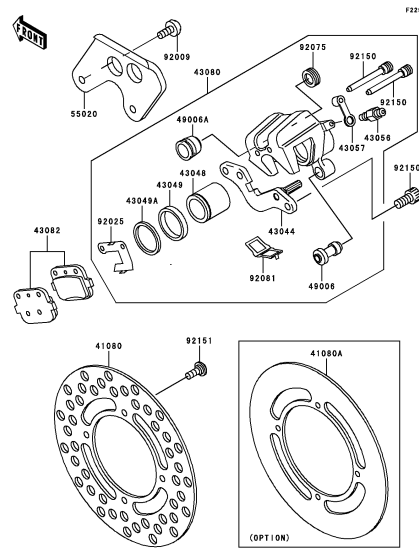
**E-4** Front Master Cylinder



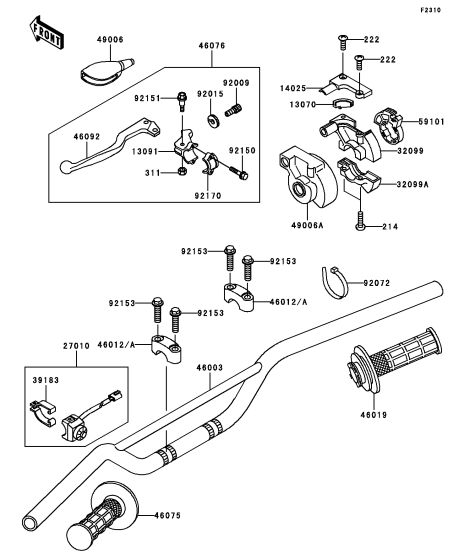
**E-5** Front Brake



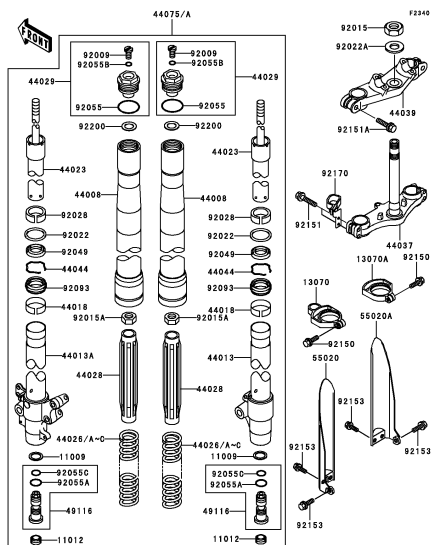
**E-6** Rear Master Cylinder



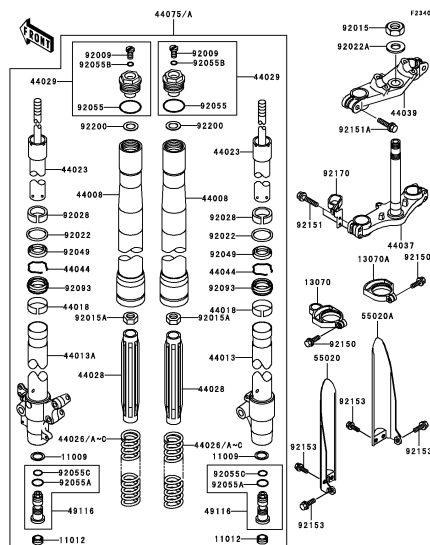
**E-7** Rear Brake



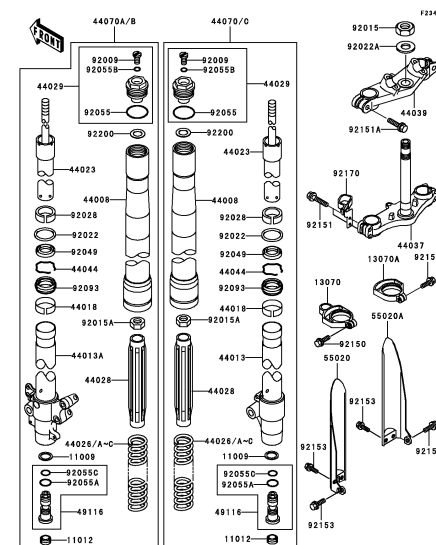
**E-8** Handlebar



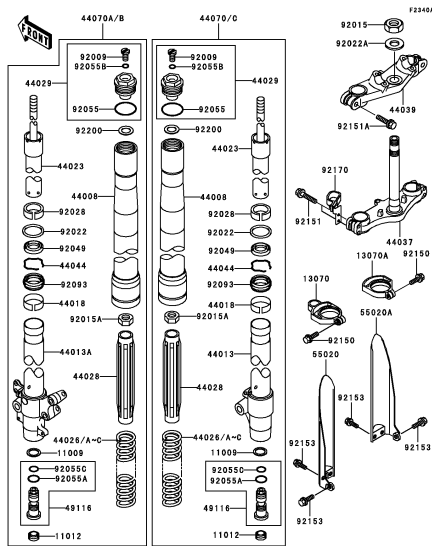
**E-9** Front Fork(1/2)(A6F/B6F)



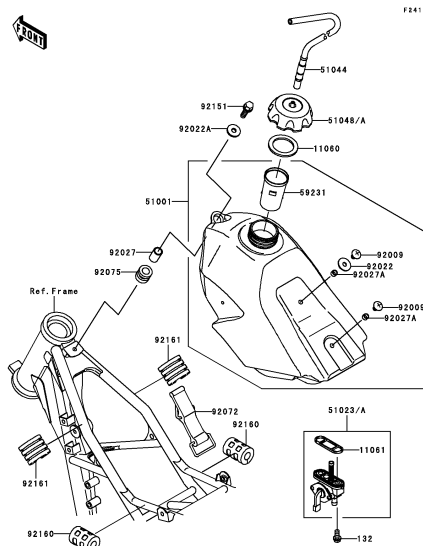
**E-10** Front Fork(2/2)(A6F/B6F)



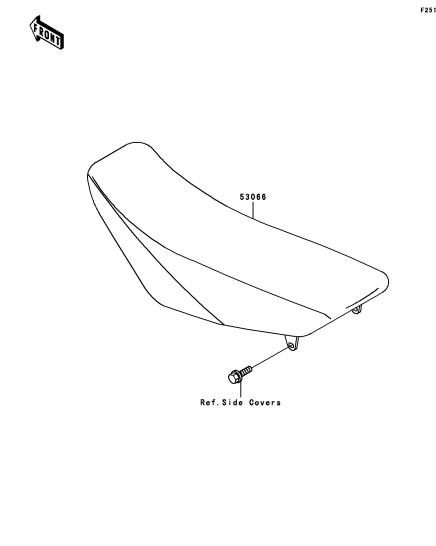
**E-11** Front Fork(1/2)(A7F/B7F)



**E-12** Front Fork(2/2)(A7F/B7F)



**E-13** Fuel Tank



**E-14** Seat

This catalog covers:

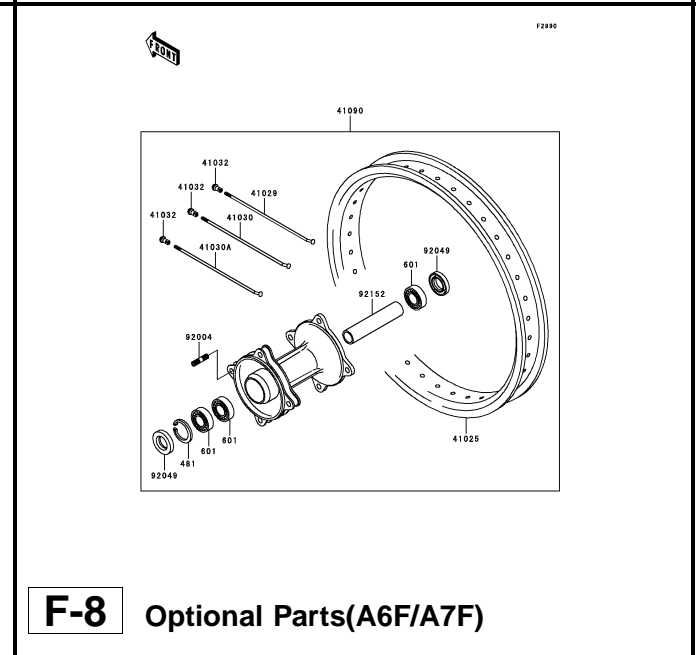
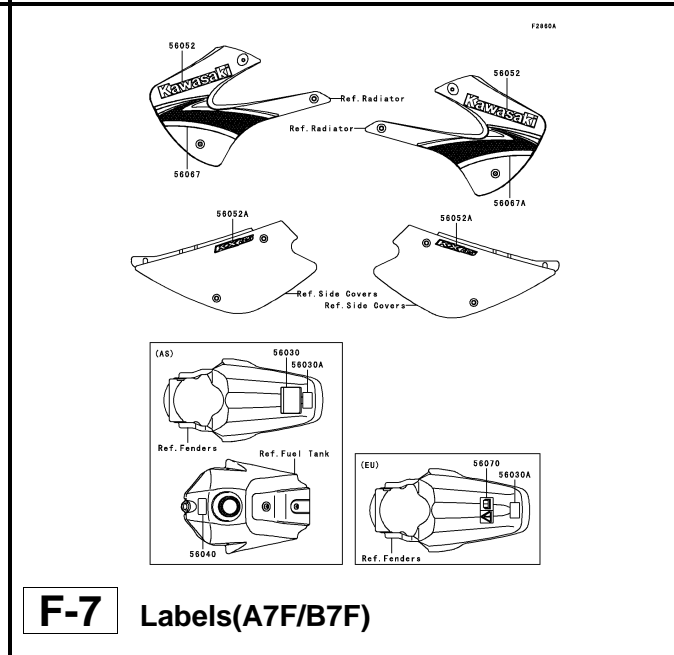
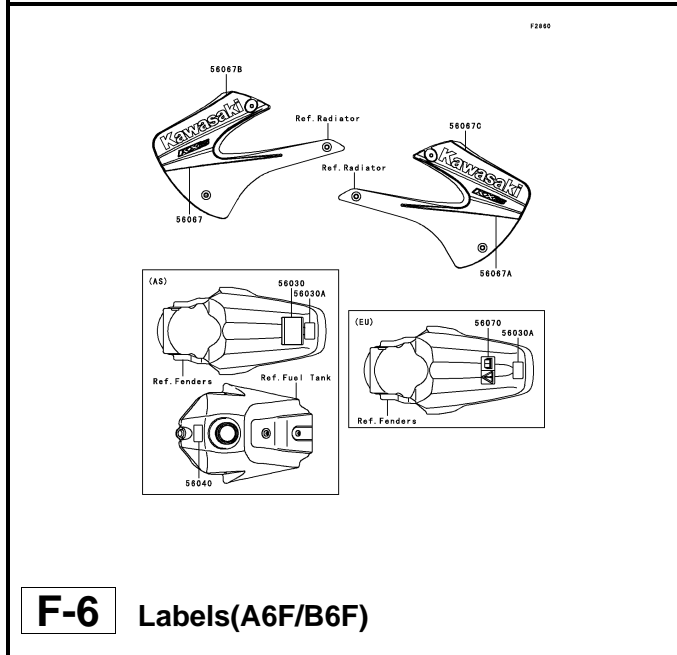
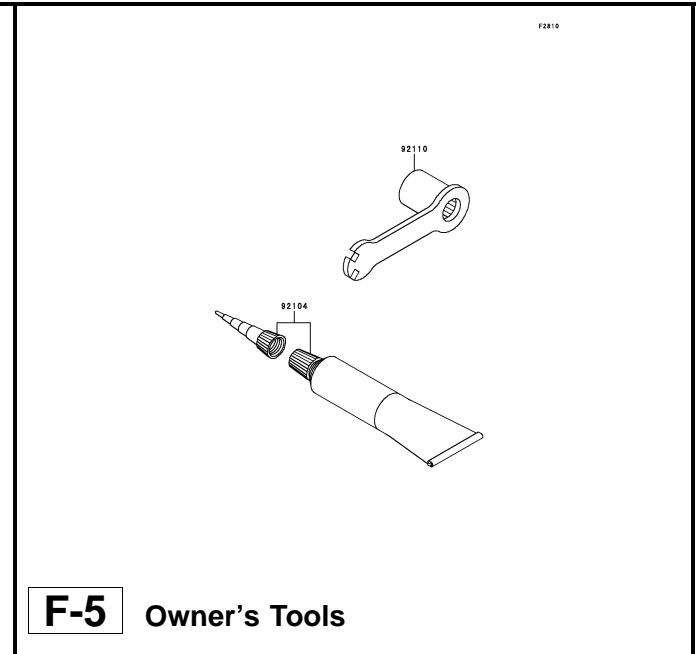
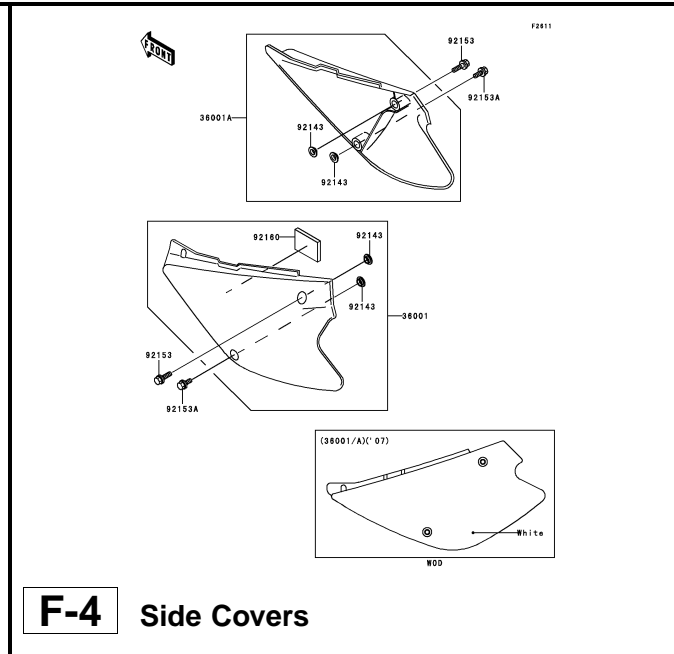
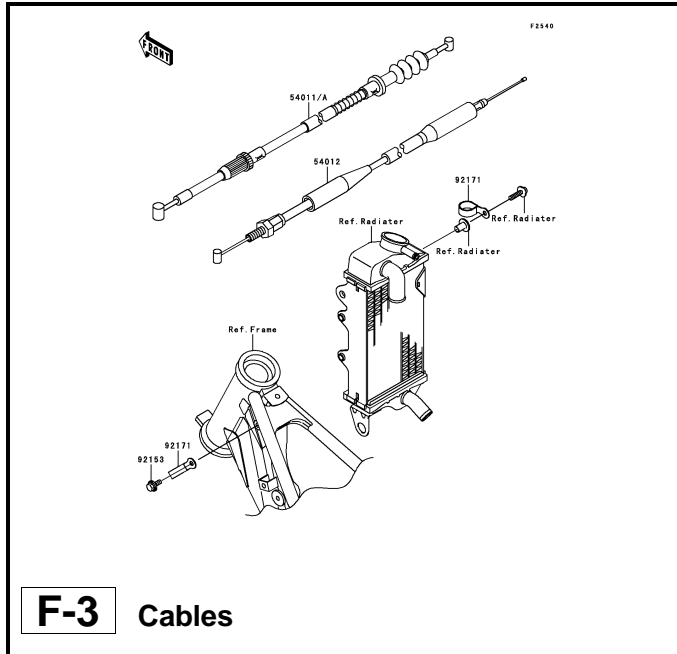
'06~'07 KX85 A6F/A7F/B6F/B7F Chassis

GRID NO.

F-1

This grid covers:

Pictorial Index



This catalog covers:

'06~'07 KX85 A6F/A7F/B6F/B7F Chassis

GRID NO.

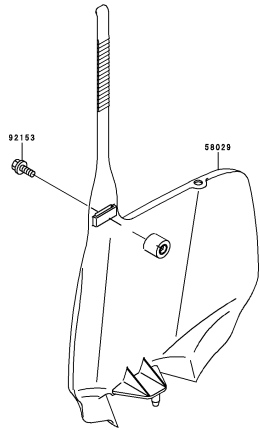
**F-2**

This grid covers:

**Pictorial Index**

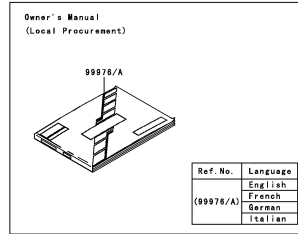


F2910



**F-9** Accessory

F2920



**F-10** Manual(EU)

This catalog covers:

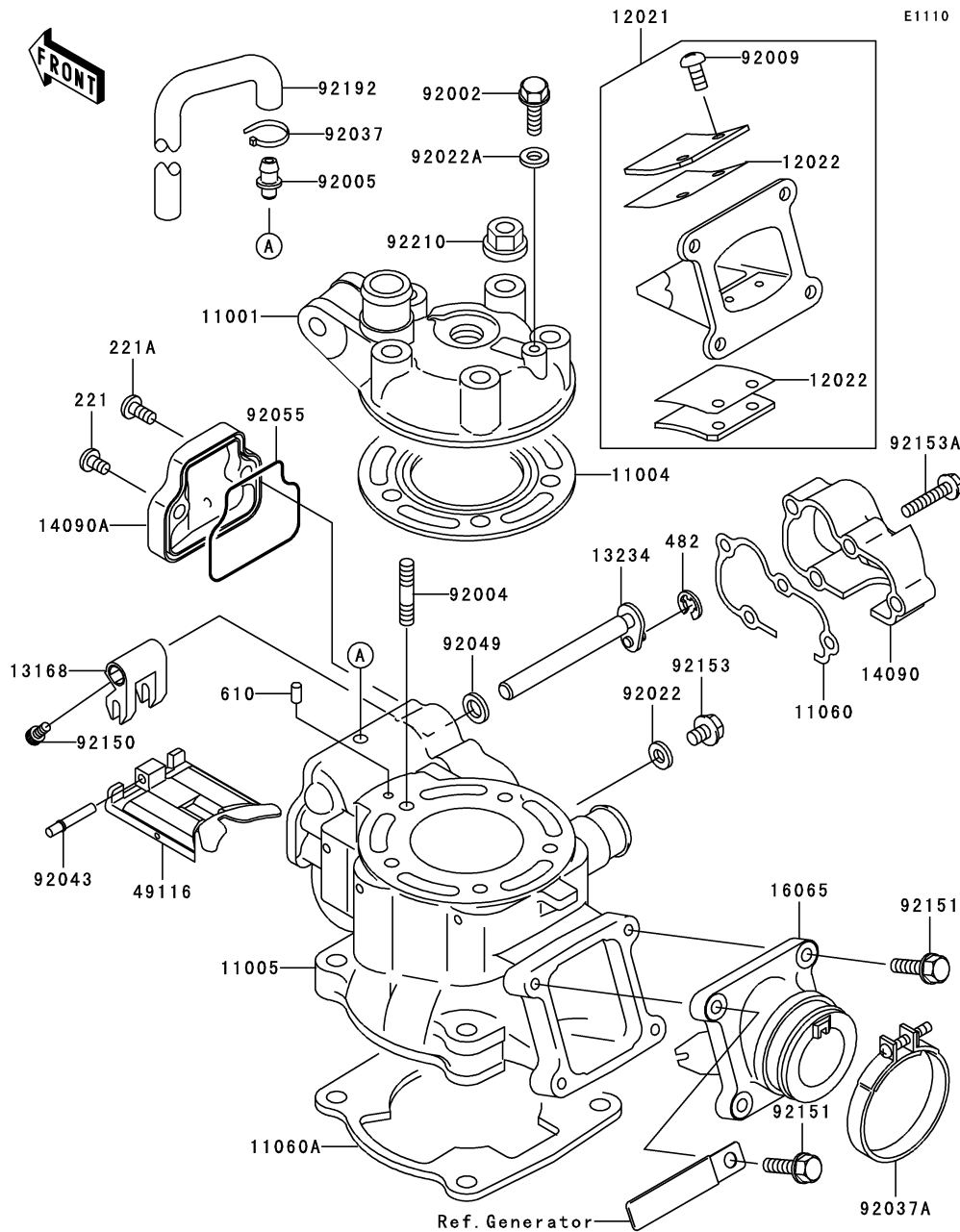
'06~'07 KX85 A6F/A7F/B6F/B7F Engine

GRID NO.

**B-3**

This grid covers:

Cylinder Head/Cylinder



Ref. No.	Part No.	Description	Spec Code	Quantity-KX85			
				'06	'07	'06	'07
				A6F	A7F	B6F	B7F
11001	11001-1539	HEAD-CYLINDER	1	1	1	1	
11004	11004-1360	GASKET-HEAD	1	1	1	1	
11005	11005-0052	CYLINDER-ENGINE	1	1	1	1	
11060	11060-1778	GASKET,GOVERNOR COVER	1	1	1	1	
11060A	11060-1779	GASKET,CYLINDER BASE	1	1	1	1	
12021	12021-1123	VALVE-ASSY-REED	1	1	1	1	
12022	12022-1084	VALVE-REED	2	2	2	2	
13168	13168-1499	LEVER,MAIN VALVE	1	1	1	1	
13234	13234-1105	SHAFT-COMP	1	1	1	1	
14090	14090-1811	COVER	1	1	1	1	
14090A	14090-1812	COVER	1	1	1	1	
16065	16065-1372	HOLDER-CARBURETOR	1	1	1	1	
49116	49116-1181	VALVE-ASSY	1	1	1	1	
92002	92002-1222	BOLT,6X10	1	1	1	1	
92004	92004-1253	STUD,8X33	5	5	5	5	
92005	92005-0050	FITTING	1	1	1	1	
92009	92009-1014	SCREW,REED VALVE	4	4	4	4	
92022	92022-077	WASHER,6.1X12X1	1	1	1	1	
92022A	92022-304	WASHER,6.2X11X1	1	1	1	1	
92037	92037-1173	CLAMP	1	1	1	1	
92037A	92037-1843	CLAMP	1	1	1	1	
92043	92043-1470	PIN,MAIN VALVE	1	1	1	1	
92049	92049-1238	SEAL-OIL,SD088144	1	1	1	1	
92055	92055-1566	RING-O	1	1	1	1	
92150	92150-1888	BOLT,SOCKET,4X8	1	1	1	1	
92151	92151-1252	BOLT,FLANGED-SMALL,6X20	4	4	4	4	
92153	92153-1005	BOLT,FLANGED,M6X8	1	1	1	1	
92153A	92153-1006	BOLT,FLANGED,M5X25	4	4	4	4	
92192	92192-0265	TUBE,L=426.3	1	1	1	1	
92210	92210-0076	NUT,8MM	5	5	5	5	
221	221B0616	SCREW-CSK-CROS,6X16	1	1	1	1	
221A	221B0620	SCREW-CSK-CROS,6X20	1	1	1	1	
482	482J5000	CIRCLIP-TYPE-E	1	1	1	1	
610	610A0408	ROLLER,4X8	1	1	1	1	



This catalog covers:

'06~'07 KX85 A6F/A7F/B6F/B7F Engine

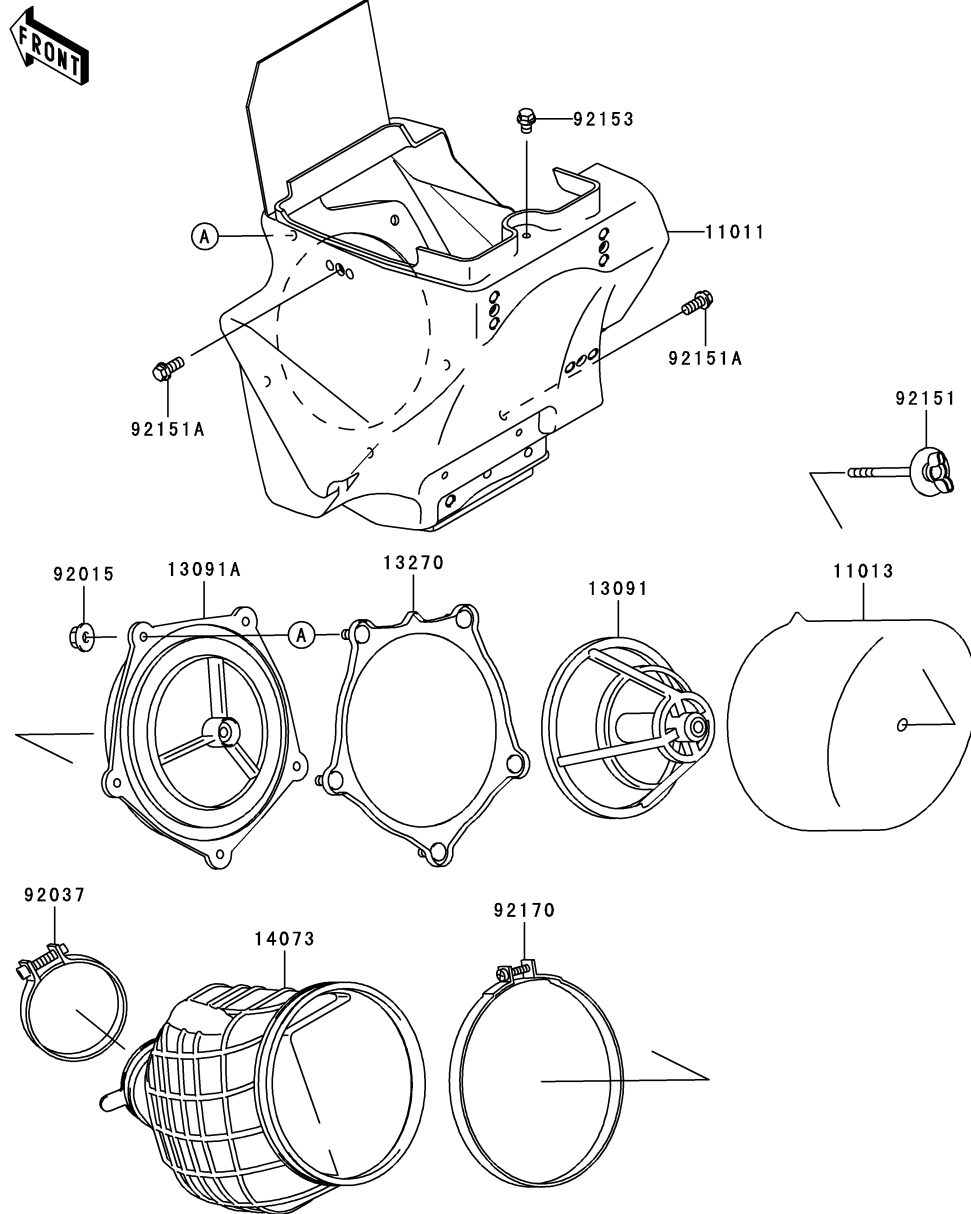
GRID NO.

**B-4**

This grid covers:

**Air Cleaner**

E1130



Ref. No.	Part No.	Description	Spec Code	Quantity-KX85				
				'06	'07	'06	'07	
				A6F	A7F	B6F	B7F	
11011	11011-1612	CASE-AIR FILTER	1	1	1	1		
11013	11013-1271	ELEMENT-AIR FILTER	1	1	1	1		
13091	13091-1696	HOLDER,ELEMENT	1	1	1	1		
13091A	13091-1697	HOLDER	1	1	1	1		
13270	13270-1905	PLATE,AIR FILTER	1	1	1	1		
14073	14073-1785	DUCT	1	1	1	1		
92015	92015-1259	NUT,FLANGED,5MM	5	5	5	5		
92037	92037-1486	CLAMP,55MM	1	1	1	1		
92151	92151-1256	BOLT,AIR FILTER	1	1	1	1		
92151A	92151-1423	BOLT,6X14	2	2	2	2		
92153	92153-0860	BOLT,6X8	1	1	1	1		
92170	92170-1194	CLAMP,126MM	1	1	1	1		

This catalog covers:

'06~'07 KX85 A6F/A7F/B6F/B7F Engine

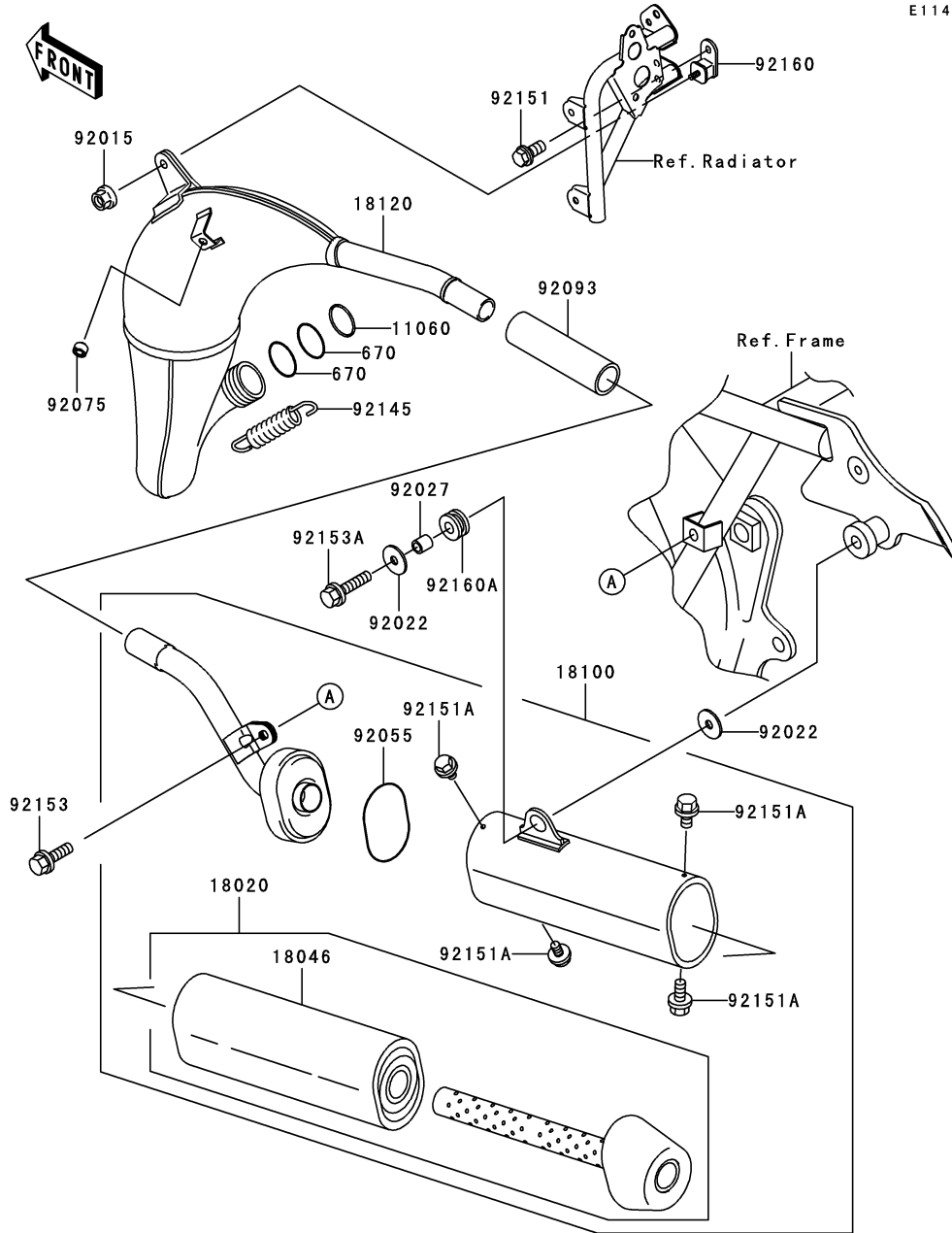
GRID NO.

**B-5**

This grid covers:

**Muffler(s)**

E1140



Ref. No.	Part No.	Description	Spec Code	Quantity-KX85				
				'06	'07	'06	'07	
				A6F	A7F	B6F	B7F	
11060	11060-1842	GASKET,EXHAUST HOLDER	1	1	1	1		
18020	18020-1272	BAFFLE	1	1	1	1		
18046	18046-1559	WOOL	1	1	1	1		
18100	18100-0016	BODY-ASSY-MUFFLER	1	1	1	1		
18120	18120-1114	CHAMBER-EXHAUST	1	1	1	1		
92015	92015-1078	NUT,FLANGED,6MM	1	1	1	1		
92022	92022-237	WASHER,6.5X22X1.6	2	2	2	2		
92027	92027-120	COLLAR,6.8X10X10.5	1	1	1	1		
92055	92055-1461	RING-O,BAFFLE PIPE	1	1	1	1		
92075	92075-1598	DAMPER	1	1	1	1		
92093	92093-1200	SEAL,MUFFLER JOINT	1	1	1	1		
92145	92145-1340	SPRING,EXHAUST CONNECTING	2	2	2	2		
92151	92151-1133	BOLT,6X12	1	1	1	1		
92151A	92151-1822	BOLT,FLANGED,6X10	4	4	4	4		
92153	92153-1007	BOLT,FLANGED WP,6X14	1	1	1	1		
92153A	92153-1008	BOLT,FLANGED WP,6X25	1	1	1	1		
92160	92160-1176	DAMPER,MUFFLER,FR	1	1	1	1		
92160A	92160-1913	DAMPER,MUFFLER FITTING	1	1	1	1		
670	670E3034	O RING	2	2	2	2		

This catalog covers:

'06~'07 KX85 A6F/A7F/B6F/B7F Engine

GRID NO.

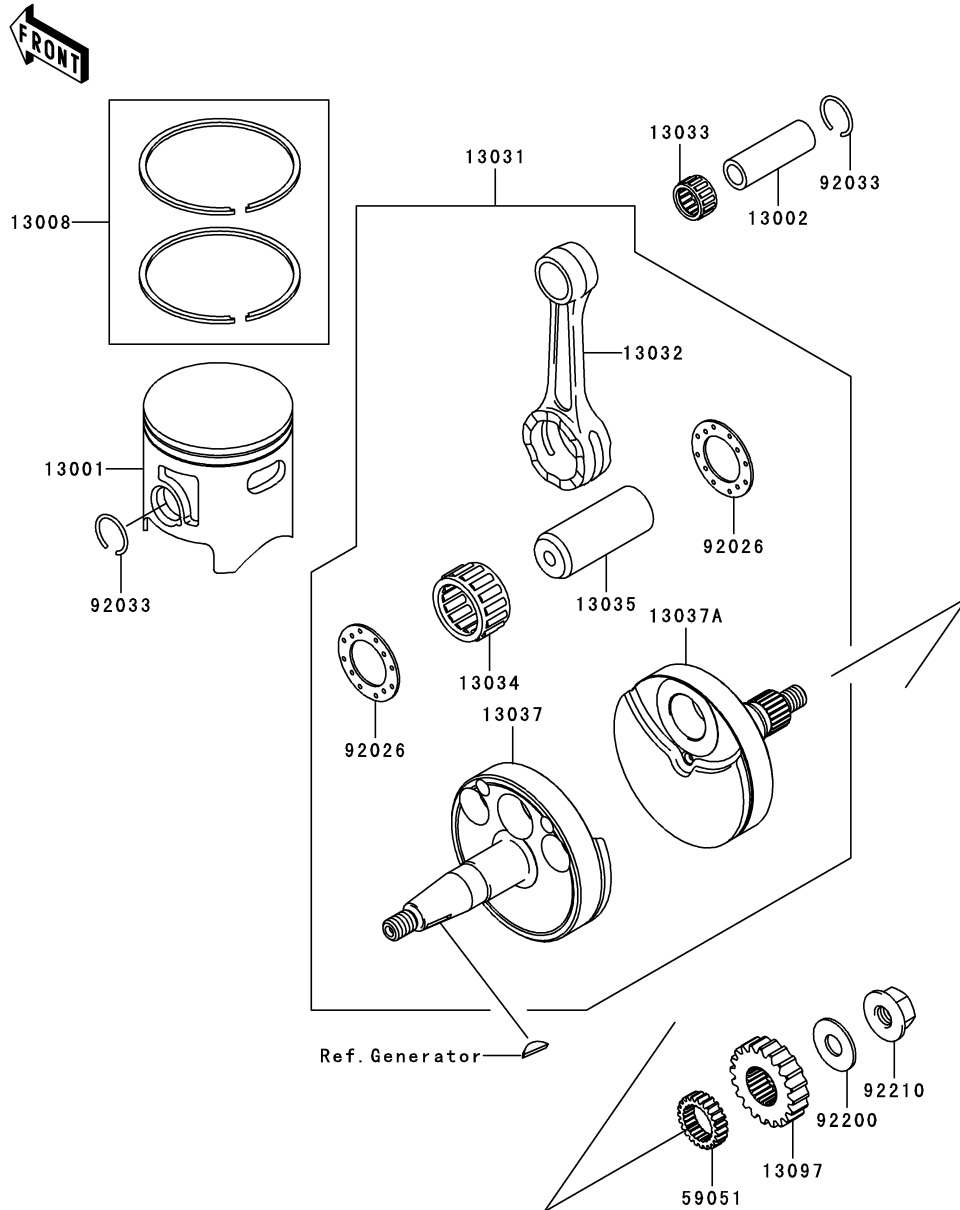
**B-6**

This grid covers:

**Crankshaft/Piston(s)**

E1320

Ref. No.	Part No.	Description	Spec Code	Quantity-KX85				
				'06	'07	'06	'07	
				A6F	A7F	B6F	B7F	
13001	13001-0006	PISTON-ENGINE,B	1	1	1	1		
13002	13002-1079	PIN-PISTON	1	1	1	1		
13008	13008-1200	RING-SET-PISTON	1	1	1	1		
13031	13031-0040	CRANKSHAFT-COMP	1	1	1	1		
13032	13032-1230	ROD-CONNECTING	1	1	1	1		
13033	13033-1060	BEARING-SMALL END	1	1	1	1		
13034	13034-0013	BEARING-BIG END,SKTZ 222916EGS	1	1	1	1		
13035	13035-1054	PIN-CRANK	1	1	1	1		
13037	13037-0050	CRANKSHAFT,LH	1	1	1	1		
13037A	13037-0051	CRANKSHAFT,RH	1	1	1	1		
13097	13097-1148	GEAR-PRIMARY SPUR,20T	1	1	1	1		
59051	59051-1146	GEAR-SPUR,PUMP,23T	1	1	1	1		
92026	92026-1136	SPACER,22.2X37X1.0	2	2	2	2		
92033	92033-0005	RING-SNAP	2	2	2	2		
92200	92200-0213	WASHER,10.2X25X1.5	1	1	1	1		
92210	92210-0215	NUT,FLANGED,M10XL1.25	1	1	1	1		



This catalog covers:

'06~'07 KX85 A6F/A7F/B6F/B7F Engine

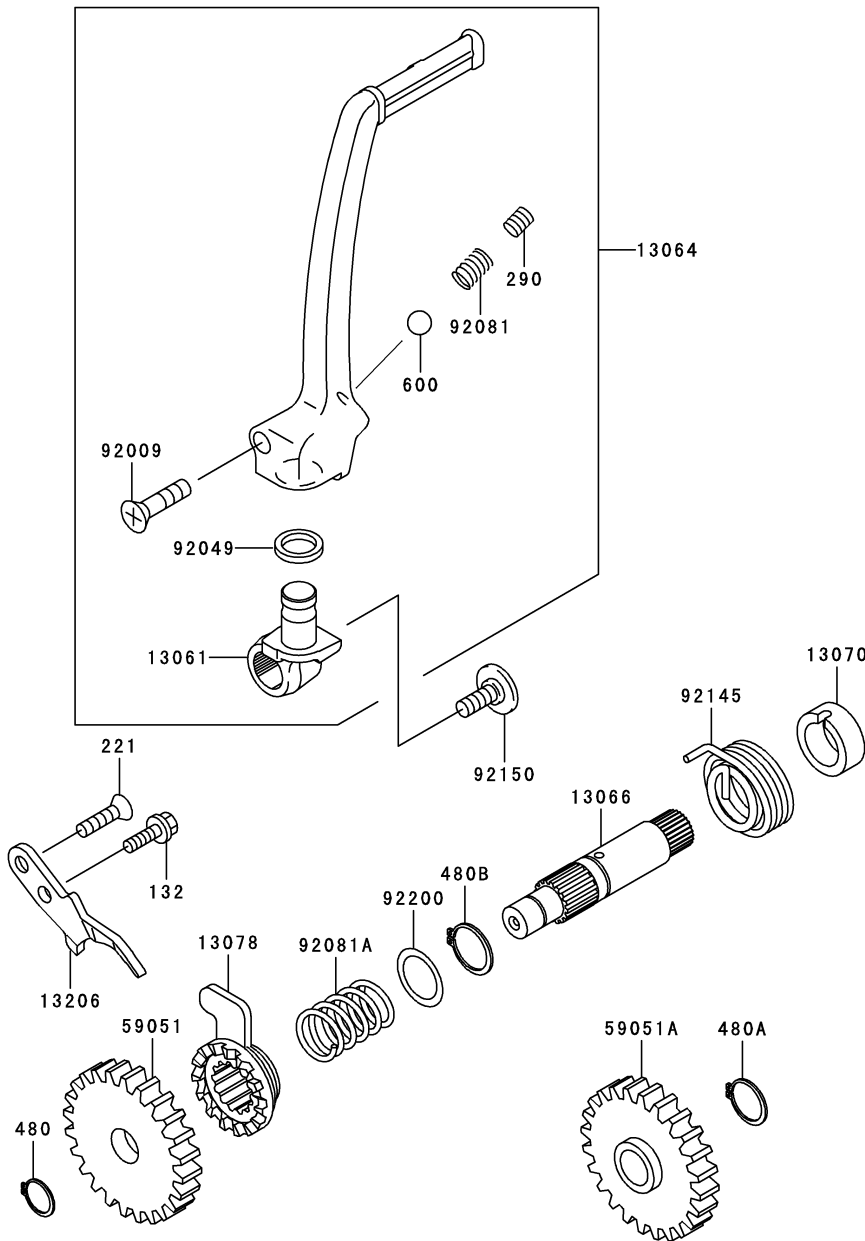
GRID NO.

**B-7**

This grid covers:

**Kickstarter Mechanism**

E1340



Ref. No.	Part No.	Description	Spec Code	Quantity-KX85				
				'06	'07	'06	'07	
				A6F	A7F	B6F	B7F	
13061	13061-1712	BOSS,KICK PEDAL	1	1	1	1		
13064	13064-1188	LEVER-ASSY-KICK,PEDAL	1	1	1	1		
13066	13066-1097	SHAFT-KICK	1	1	1	1		
13070	13070-1314	GUIDE	1	1	1	1		
13078	13078-1004	RATCHET	1	1	1	1		
13206	13206-1066	GUIDE-KICK	1	1	1	1		
59051	59051-1026	GEAR-SPUR,32T	1	1	1	1		
59051A	59051-1147	GEAR-SPUR,31T,KICK	1	1	1	1		
92009	92009-1607	SCREW,6X27	1	1	1	1		
92049	92049-1468	SEAL-OIL,SR12162.5	1	1	1	1		
92081	92081-020	SPRING,KICK PEDAL	1	1	1	1		
92081A	92081-122	SPRING,RATCHET	1	1	1	1		
92145	92145-1058	SPRING	1	1	1	1		
92150	92150-1673	BOLT,SOCKET,6X16	1	1	1	1		
92200	92200-1209	WASHER,KICKSHAFT	1	1	1	1		
132	132G0616	BOLT-FLANGED-SMALL,6X16	1	1	1	1		
221	221B0618	SCREW-CSK-CROS,6X18	1	1	1	1		
290	290P0808	SCREW-SET-SOCKET,8X8	1	1	1	1		
480	480J1200	CIRCLIP-TYPE-C,12MM	1	1	1	1		
480A	480J1500	CIRCLIP-TYPE-C,15MM	1	1	1	1		
480B	480J1600	CIRCLIP-TYPE-C,16MM	1	1	1	1		
600	600A0800	BALL-STEEL,1/4"	1	1	1	1		

This catalog covers:

'06~'07 KX85 A6F/A7F/B6F/B7F Engine

GRID NO.

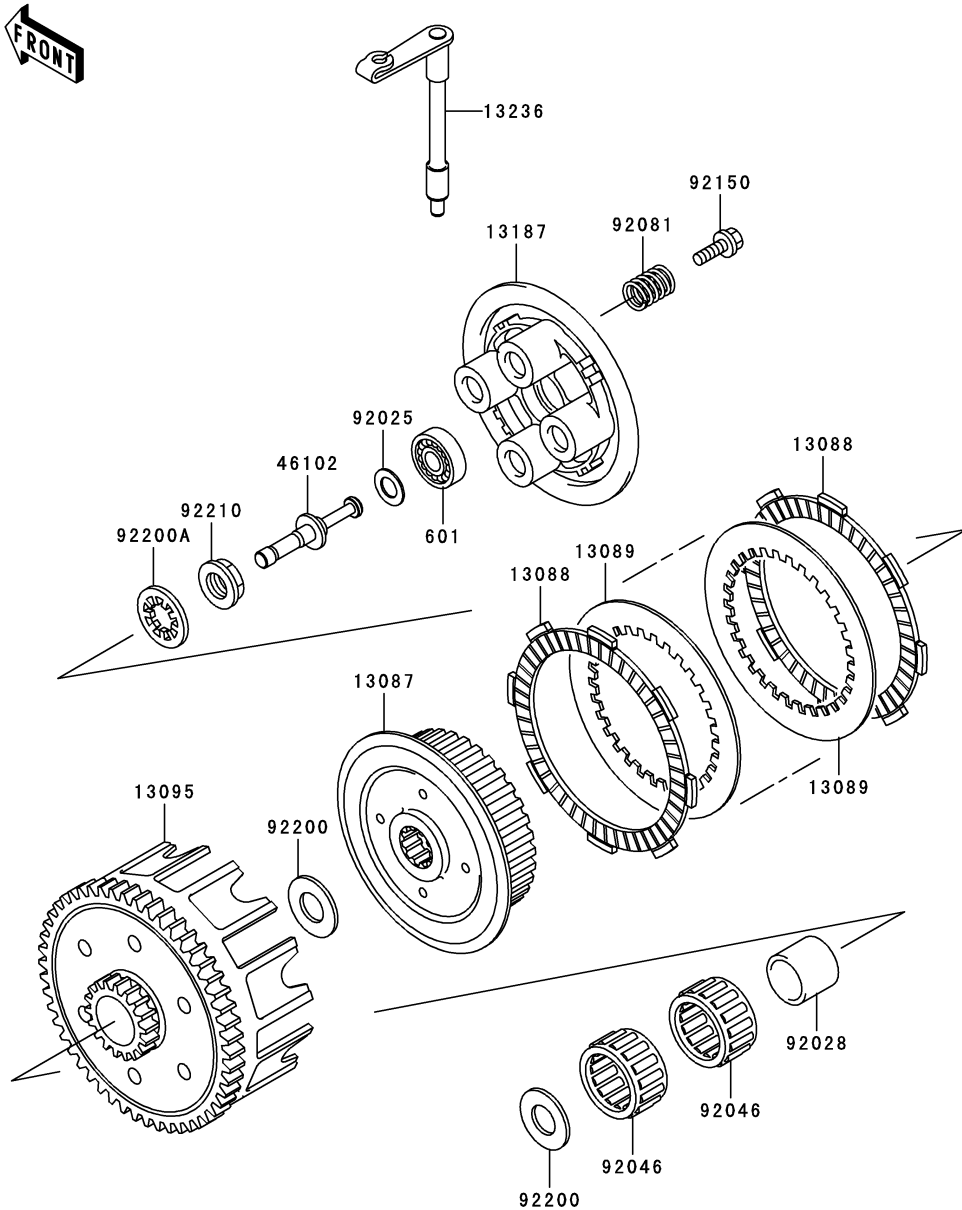
**B-8**

This grid covers:

**Clutch**

E1350

Ref. No.	Part No.	Description	Spec Code	Quantity-KX85				
				'06	'07	'06	'07	
				A6F	A7F	B6F	B7F	
13087	13087-1170	HUB-CLUTCH	1	1	1	1		
13088	13088-1016	PLATE-FRICTION,ID=91	6	6	6	6		
13089	13089-1120	PLATE-CLUTCH	5	5	5	5		
13095	13095-1406	HOUSING-COMP-CLUTCH	1	1	1	1		
13187	13187-1013	PLATE-CLUTCH OPERATING	1	1	1	1		
13236	13236-1298	LEVER-COMP,RELEASE	1	1	1	1		
46102	46102-1409	ROD,CLUTCH RELEASE	1	1	1	1		
92025	92025-1780	SHIM	1	1	1	1		
92028	92028-1811	BUSHING,20X25X21.1	1	1	1	1		
92046	92046-1254	BEARING-NEEDLE,KT252910EG	2	2	2	2		
92081	92081-1492	SPRING,CLUTCH	4	4	4	4		
92150	92150-1715	BOLT,6X20,WASHER	4	4	4	4		
92200	92200-1351	WASHER,20.3X33X2.0	2	2	2	2		
92200A	92200-1352	WASHER,20X30X2.6	1	1	1	1		
92210	92210-1113	NUT,16MM	1	1	1	1		
601	601A6001	BEARING-BALL	1	1	1	1		



This catalog covers:

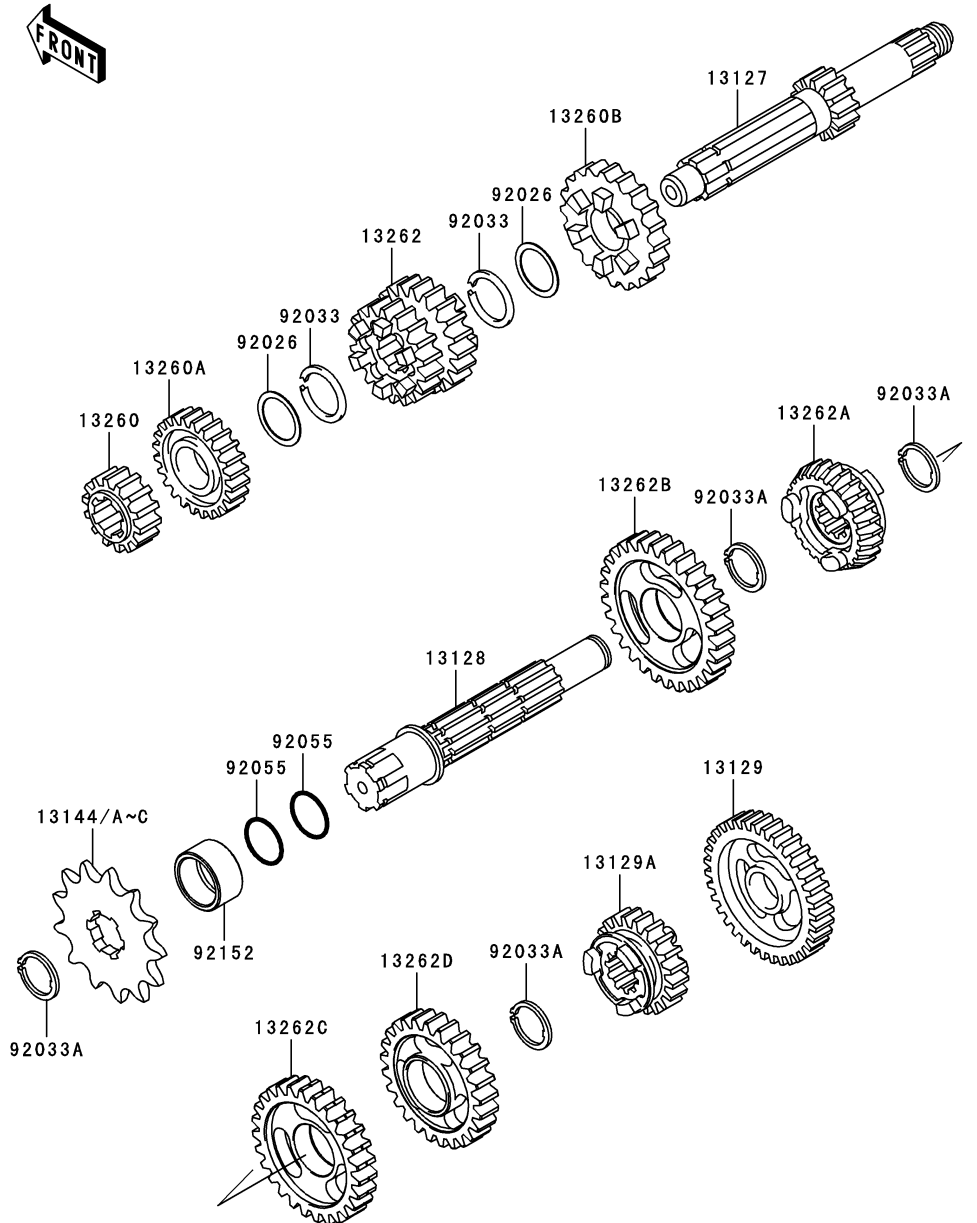
'06~'07 KX85 A6F/A7F/B6F/B7F Engine

GRID NO.

**B-9**

This grid covers:

**Transmission**



E1361

Ref. No.	Part No.	Description	Spec Code	Quantity-KX85				
				'06	'07	'06	'07	
				A6F	A7F	B6F	B7F	
13127	13127-1261	SHAFT-TRANSMISSION INPUT,13T	1	1	1	1		
13128	13128-0022	SHAFT-TRANSMISSION OUTPUT	1	1	1	1		
13129	13129-1725	GEAR,OUTPUT LOW,33T	1	1	1	1		
13129A	13129-1730	GEAR,OUTPUT 6TH,22T	1	1	1	1		
13144	13144-1022	SPROCKET-OUTPUT,14T	1	1				
13144A	13144-1022 (OPTION)	SPROCKET-OUTPUT,14T				1	1	
13144B	13144-1023	SPROCKET-OUTPUT,13T				1	1	
13144C	13144-1023 (OPTION)	SPROCKET-OUTPUT,13T	1	1				
13260	13260-1014	GEAR,INPUT 2ND,16T	1	1	1	1		
13260A	13260-1950	GEAR-TRANSMISSION SPUR,5TH,22T	1	1	1	1		
13260B	13260-1951	GEAR-TRANSMISSION SPUR,6TH,23T	1	1	1	1		
13262	13262-0180	GEAR,INPUT 3RD&4TH,18&20T	1	1	1	1		
13262A	13262-0181	GEAR,OUTPUT 5TH,24T	1	1	1	1		
13262B	13262-0298	GEAR,OUTPUT 2ND,30T	1	1	1	1		
13262C	13262-0299	GEAR,OUTPUT 3RD,27T	1	1	1	1		
13262D	13262-0300	GEAR,OUTPUT 4TH,25T	1	1	1	1		
92026	92026-1602	SPACER,18X23X0.50	2	2	2	2		
92033	92033-028	RING-SNAP	2	2	2	2		
92033A	92033-1079	RING-SNAP,18MM	4	4	4	4		
92055	92055-022	RING-O,17.5X1.5	2	2	2	2		
92152	92152-0195	COLLAR,20X25X12.9	1	1	1	1		

This catalog covers:

'06~'07 KX85 A6F/A7F/B6F/B7F Engine

GRID NO.

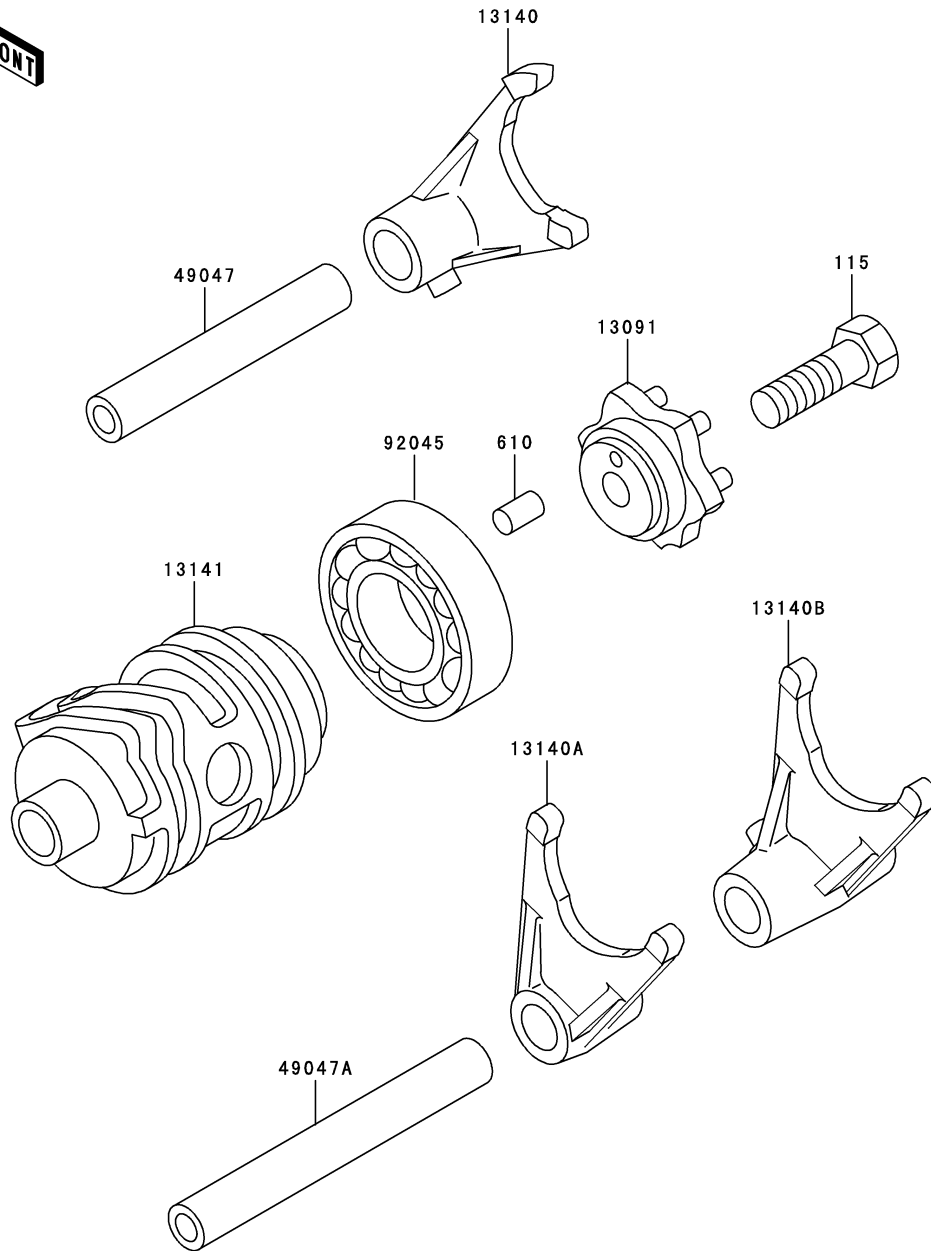
**B-10**

This grid covers:

**Gear Change Drum/Shift Fork(s)**

E1362

Ref. No.	Part No.	Description	Spec Code	Quantity-KX85				
				'06	'07	'06	'07	
				A6F	A7F	B6F	B7F	
13091	13091-1390	HOLDER,CHANGE DRUM	1	1	1	1		
13140	13140-1302	FORK-SHIFT,5TH&6TH	1	1	1	1		
13140A	13140-1303	FORK-SHIFT,2ND&3RD	1	1	1	1		
13140B	13140-1304	FORK-SHIFT,LOW&4TH	1	1	1	1		
13141	13141-1120	DRUM-CHANGE	1	1	1	1		
49047	49047-1063	ROD-SHIFT,5.9X10X64.5	1	1	1	1		
49047A	49047-1064	ROD-SHIFT,5.9X10X81	1	1	1	1		
92045	92045-1058	BEARING-BALL,6905Z	1	1	1	1		
115	115G0825	BOLT-SMALL-UPSET,8X25	1	1	1	1		
610	610A0408	ROLLER,4X8	1	1	1	1		



This catalog covers:

'06~'07 KX85 A6F/A7F/B6F/B7F Engine

GRID NO.

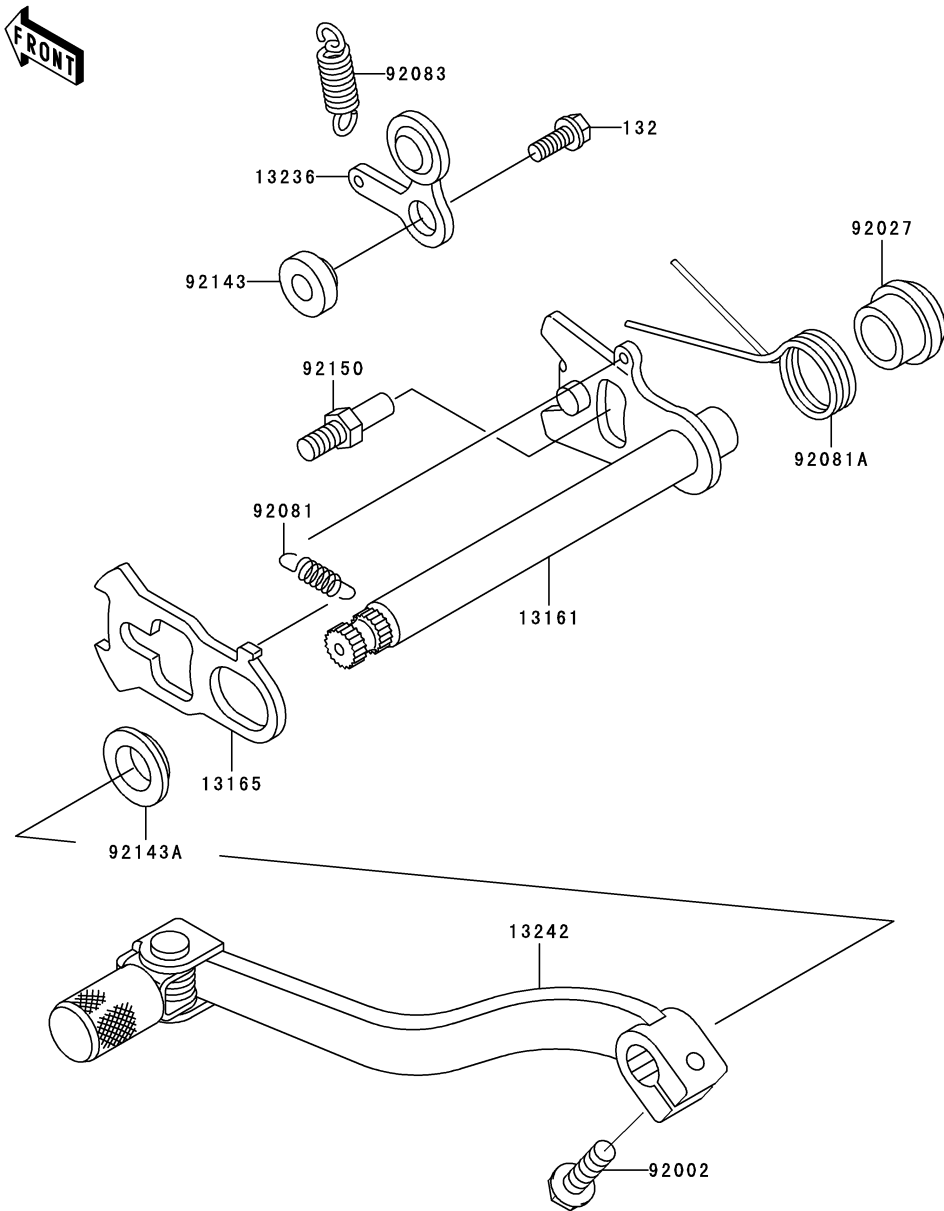
**B-11**

This grid covers:

**Gear Change Mechanism**

E1370

Ref. No.	Part No.	Description	Spec Code	Quantity-KX85				
				'06	'07	'06	'07	
				A6F	A7F	B6F	B7F	
13161	13161-1126	LEVER-COMP-CHANGE SHAFT	1	1	1	1		
13165	13165-1114	PAWL,CHANGE LEVER	1	1	1	1		
13236	13236-1152	LEVER-COMP,POSITION	1	1	1	1		
13242	13242-1286	LEVER-ASSY-CHANGE,PEDAL	1	1	1	1		
92002	92002-1237	BOLT,6X20	1	1	1	1		
92027	92027-1940	COLLAR	1	1	1	1		
92081	92081-076	SPRING,CHANGE LEVER	1	1	1	1		
92081A	92081-1716	SPRING,CHANGE SHAFT RETURN	1	1	1	1		
92083	92083-012	SPRING,CHANGE DRUM LEVER	1	1	1	1		
92143	92143-1055	COLLAR	1	1	1	1		
92143A	92143-1995	COLLAR	1	1	1	1		
92150	92150-1467	BOLT,RETURN SPRING	1	1	1	1		
132	132G0616	BOLT-FLANGED-SMALL,6X16	1	1	1	1		





This catalog covers:

'06~'07 KX85 A6F/A7F/B6F/B7F Engine

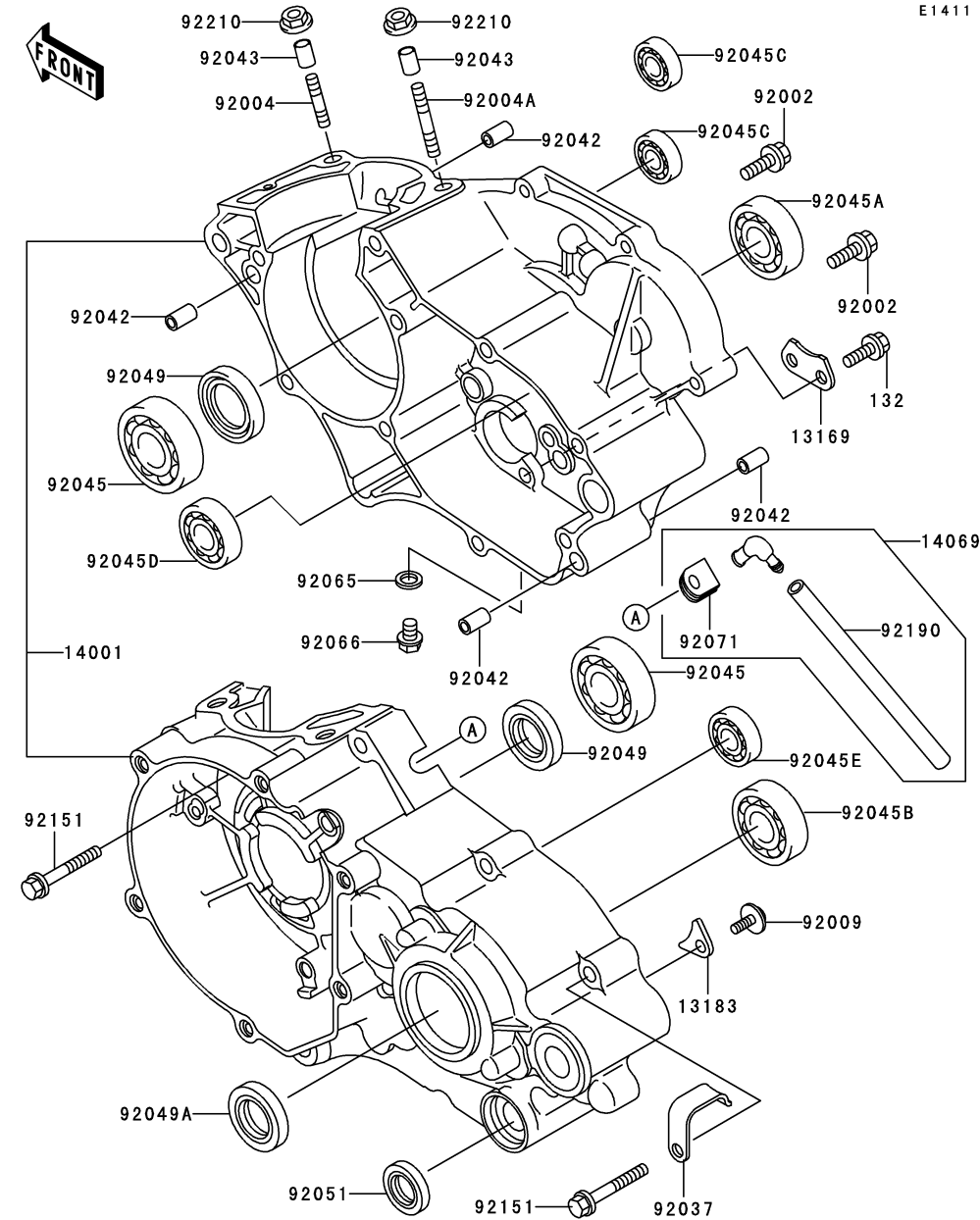
GRID NO.

**B-12**

This grid covers:

**Crankcase**

E1411



Ref. No.	Part No.	Description	Spec Code	Quantity-KX85			
				'06	'07	'06	'07
				A6F	A7F	B6F	B7F
13169	13169-012	PLATE,CHANGE DRUM	1	1	1	1	
13183	13183-1182	PLATE	2	2	2	2	
14001	14001-0050	SET-CRANKCASE	1	1	1	1	
14069	14069-1062	BREATHER	1	1	1	1	
92002	92002-1659	BOLT,6X16	2	2	2	2	
92004	92004-1252	STUD,8X28.5	2	2	2	2	
92004A	92004-1254	STUD,8X37	2	2	2	2	
92009	92009-1563	SCREW,6X10	2	2	2	2	
92037	92037-1318	CLAMP,HARNISS	1	1	1	1	
92042	92042-007	PIN,DOWEL,6.3X8X14	4	4	4	4	
92043	92043-1264	PIN,8.2X10X14	2	2	2	2	
92045	92045-1059	BEARING-BALL,R-6304C3	2	2	2	2	
92045A	92045-1118	BEARING-BALL,6004TMB	1	1	1	1	
92045B	92045-1226	BEARING-BALL,6204	1	1	1	1	
92045C	92045-1304	BEARING-BALL,626MC3	2	2	2	2	
92045D	92045-1360	BEARING-BALL,TMB002	1	1	1	1	
92045E	92045-1450	BEARING-BALL,16101JRX3	1	1	1	1	
92049	92049-1188	SEAL-OIL,SD20407GS	2	2	2	2	
92049A	92049-1292	SEAL-OIL,TC25375	1	1	1	1	
92051	92051-005	SEAL-OIL,TB13225.5	1	1	1	1	
92065	92065-058	GASKET,10.5X16X1	1	1	1	1	
92066	92066-1437	PLUG,DRAIN	1	1	1	1	
92071	92071-042	GROMMET,BREATHER	1	1	1	1	
92151	92151-1135	BOLT,6X35	9	9	9	9	
92190	92190-1116	TUBE,6X9X330	1	1	1	1	
92210	92210-0076	NUT,8MM	4	4	4	4	
132	132G0612	BOLT-FLANGED-SMALL,6X12	2	2	2	2	

This catalog covers:

'06~'07 KX85 A6F/A7F/B6F/B7F Engine

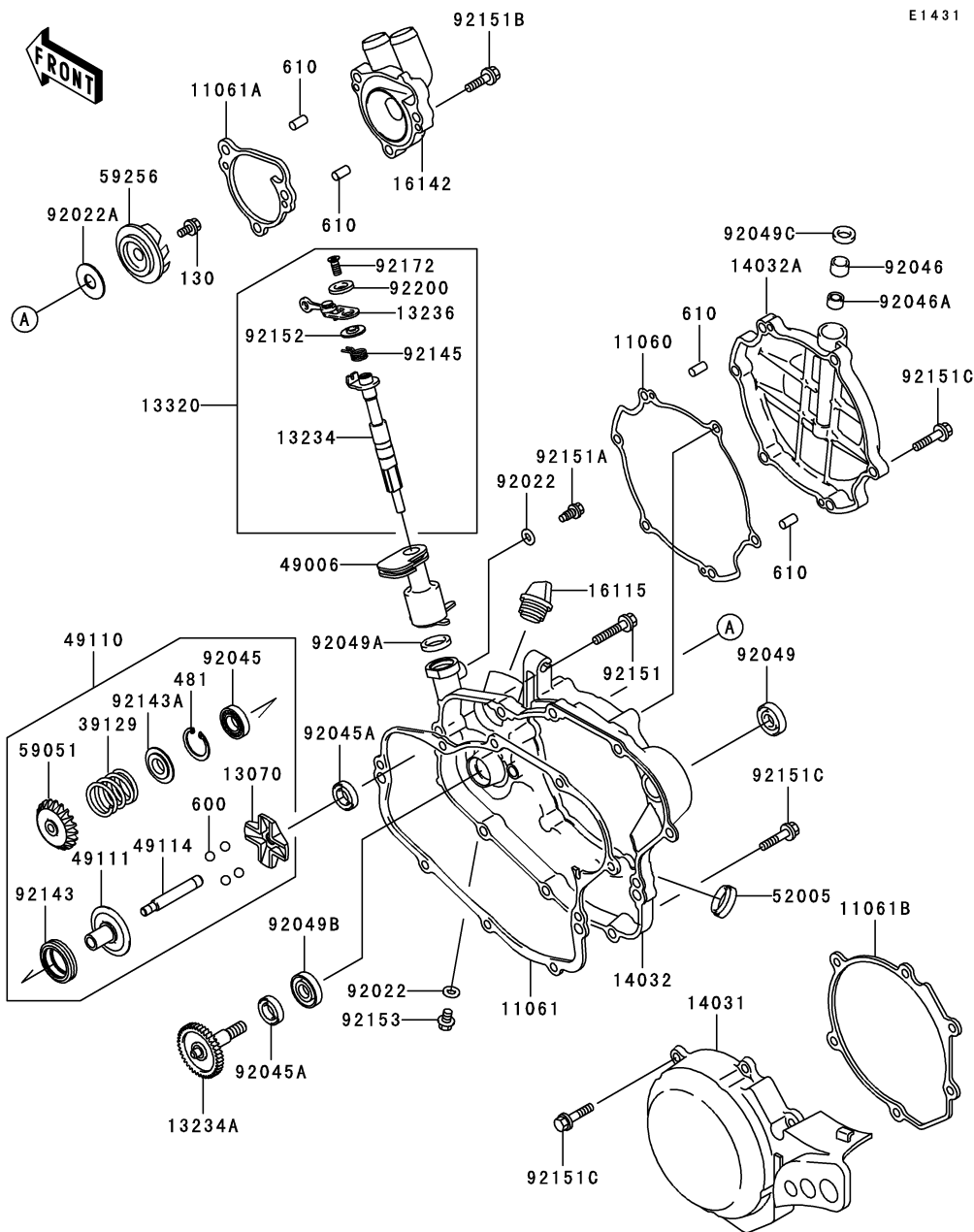
GRID NO.

**B-13**

This grid covers:

**Engine Cover(s)(1/2)**

E1431



Ref. No.	Part No.	Description	Spec Code	Quantity-KX85				
				'06	'07	'06	'07	
				A6F	A7F	B6F	B7F	
11060	11060-1795	GASKET,CLUTCH COVER	1	1	1	1		
11061	11061-0122	GASKET,CLUTCH COVER	1	1	1	1		
11061A	11061-0184	GASKET,PUMP COVER	1	1	1	1		
11061B	11061-0194	GASKET,GENERATOR COVER	1	1	1	1		
13070	13070-1309	GUIDE,GOVERNOR	1	1	1	1		
13234	13234-0008	SHAFT-COMP	1	1	1	1		
13234A	13234-1103	SHAFT-COMP,WATER PUMP	1	1	1	1		
13236	13236-0023	LEVER-COMP	1	1	1	1		
13320	13320-0002	LEVER-ASSY	1	1	1	1		
14031	14031-0029	COVER-GENERATOR	1	1	1	1		
14032	14032-0041	COVER-CLUTCH,INSIDE	1	1	1	1		
14032A	14032-1463	COVER-CLUTCH,OUTSIDE	1	1	1	1		
16115	16115-018	CAP-OIL FILLER	1	1	1	1		
16142	16142-1144	COVER-PUMP,WATER	1	1	1	1		
39129	39129-1022	SPRING-GOVERNOR	1	1	1	1		
49006	49006-1313	BOOT,GOVERNOR	1	1	1	1		
49110	49110-0001	GOVERNOR-ASSY	1	1	1	1		
49111	49111-1064	HOLDER-GOVERNOR WEIGHT	1	1	1	1		
49114	49114-1106	SHAFT-GOVERNOR	1	1	1	1		
52005	52005-0019	GAUGE,OIL LEVEL	1	1	1	1		
59051	59051-1412	GEAR-SPUR	1	1	1	1		
59256	59256-1064	IMPELLER	1	1	1	1		
92022	92022-077	WASHER,6.1X12X1	2	2	2	2		
92022A	92022-1380	WASHER,5.2X13X1	1	1	1	1		
92045	92045-0010	BEARING-BALL	1	1	1	1		
92045A	92045-1305	BEARING-BALL,608MC3	2	2	2	2		
92046	92046-1160	BEARING-NEEDLE,HK1010	1	1	1	1		
92046A	92046-1217	BEARING-NEEDLE,6BTM109	1	1	1	1		
92049	92049-002	SEAL-OIL,SB16244	1	1	1	1		
92049A	92049-1262	SEAL-OIL,AG0353-F0	1	1	1	1		
92049B	92049-1366	SEAL-OIL,MHSD8X18X10J-1	1	1	1	1		
92049C	92049-1414	SEAL-OIL,BG1408F0	1	1	1	1		
92143	92143-1932	COLLAR	1	1	1	1		
92143A	92143-1933	COLLAR	1	1	1	1		
92145	92145-0089	SPRING	1	1	1	1		
92151	92151-1134	BOLT,6X30	1	1	1	1		
92151A	92151-1180	BOLT,FLANGED,M6X11	1	1	1	1		
92151B	92151-1252	BOLT,FLANGED-SMALL,6X20	3	3	3	3		
92151C	92151-1930	BOLT,FLANGED-SMALL,6X25	20	20	20	20		
92152	92152-0085	COLLAR,LEVER	1	1	1	1		

This catalog covers:

'06~'07 KX85 A6F/A7F/B6F/B7F Engine

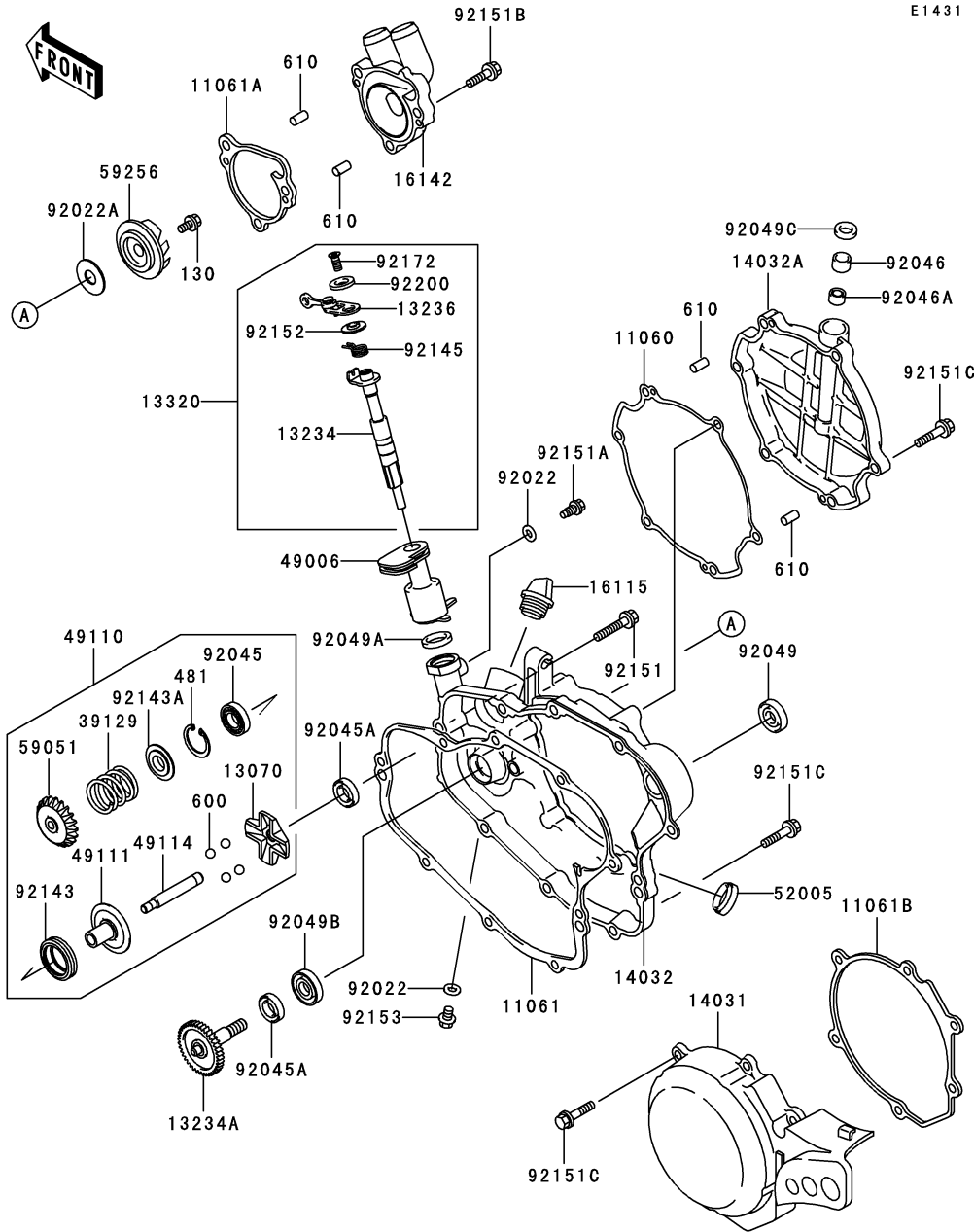
GRID NO.

**B-14**

This grid covers:

**Engine Cover(s)(2/2)**

E1431



Ref. No.	Part No.	Description	Spec Code	Quantity-KX85			
				'06	'07	'06	'07
				A6F	A7F	B6F	B7F
92153	92153-1005	BOLT,FLANGED,M6X8	1	1	1	1	
92172	92172-0087	SCREW,6X14	1	1	1	1	
92200	92200-0040	WASHER,LEVER	1	1	1	1	
130	130P0510	BOLT-FLANGED,5X10	1	1	1	1	
481	481J2400	CIRCLIP	1	1	1	1	
600	600A1000	BALL-STEEL,5/16"	4	4	4	4	
610	610A0408	ROLLER,4X8	4	4	4	4	

This catalog covers:

'06~'07 KX85 A6F/A7F/B6F/B7F Engine

GRID NO.

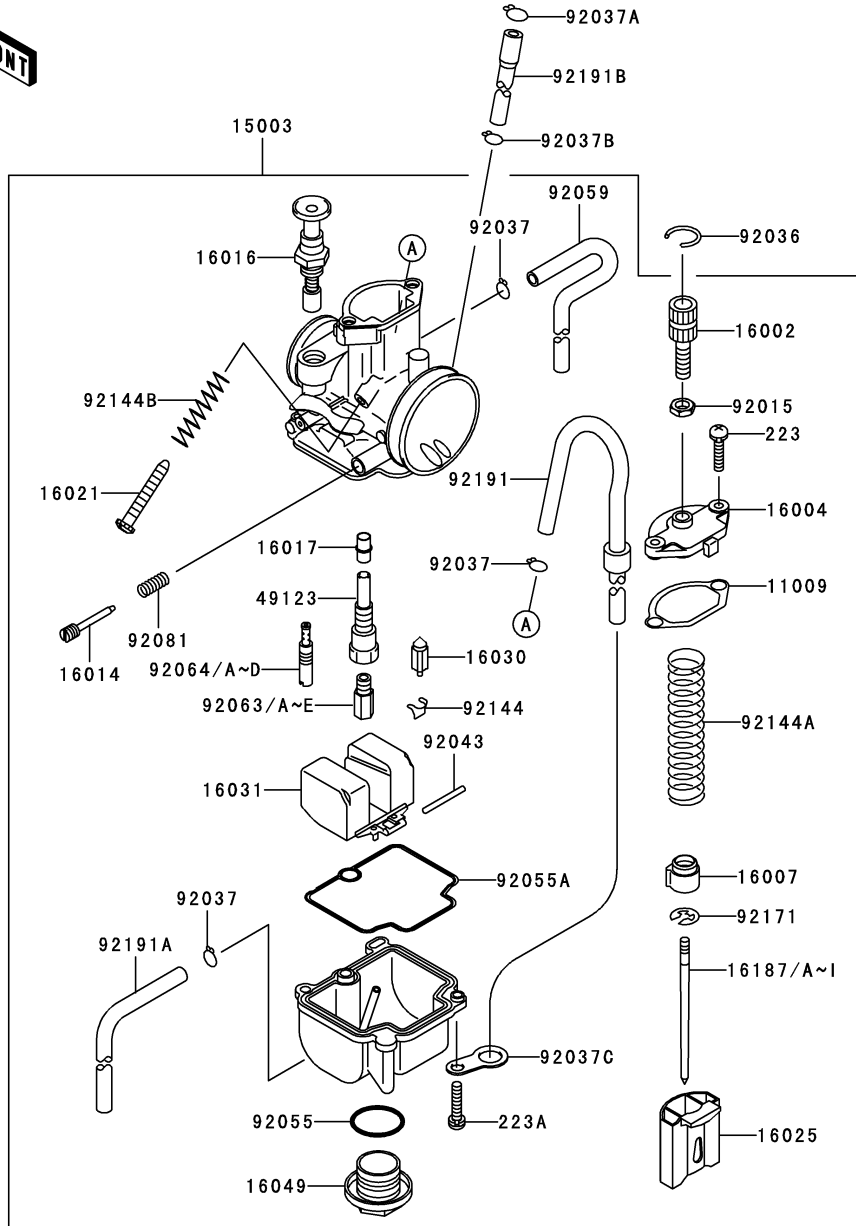
**C-3**

This grid covers:

**Carburetor(1/2)**

E1611

Ref. No.	Part No.	Description	Spec Code	Quantity-KX85				
				'06	'07	'06	'07	
				A6F	A7F	B6F	B7F	
11009	11009-1759	GASKET,MIXING CHAMBER	1	1	1	1		
15003	15003-1617	CARBURETOR-ASSY	1	1	1	1		
16002	16002-1056	ADJUSTER-CABLE	1	1	1	1		
16004	16004-1065	CAP-CHAMBER,MIXING	1	1	1	1		
16007	16007-1155	SEAT-SPRING,THROTTLE VALVE	1	1	1	1		
16014	16014-1058	SCREW-PILOT AIR	1	1	1	1		
16016	16016-1075	PLUNGER,STARTER	1	1	1	1		
16017	16017-1431	JET-NEEDLE	1	1	1	1		
16021	16021-1161	SCREW-THROTTLE STOP	1	1	1	1		
16025	16025-1220	VALVE-THROTTLE,CA3.5	1	1	1	1		
16030	16030-1064	VALVE-FLOAT	1	1	1	1		
16031	16031-1065	FLOAT	1	1	1	1		
16049	16049-1051	COVER-MAIN JET	1	1	1	1		
16187	16187-1176	NEEDLE-JET,NAPC	AR	AR	AR	AR		
16187A	16187-1177	(OPTION) NEEDLE-JET,NAPD	AR	AR	AR	AR		
16187B	16187-1178	NEEDLE-JET,NAPE	1	1	1	1		
16187C	16187-1179	NEEDLE-JET,NAPF	AR	AR	AR	AR		
16187D	16187-1180	(OPTION) NEEDLE-JET,NAPG	AR	AR	AR	AR		
16187E	16187-1182	(OPTION) NEEDLE-JET,NAQC	AR	AR	AR	AR		
16187F	16187-1183	(OPTION) NEEDLE-JET,NAQD	AR	AR	AR	AR		
16187G	16187-1184	(OPTION) NEEDLE-JET,NAQE	AR	AR	AR	AR		
16187H	16187-1185	(OPTION) NEEDLE-JET,NAQF	AR	AR	AR	AR		
16187I	16187-1186	(OPTION) NEEDLE-JET,NAQG	AR	AR	AR	AR		
49123	49123-1054	HOLDER-MAIN JET	1	1	1	1		
92015	92015-1574	NUT,CABLE ADJUST LOCK	1	1	1	1		
92036	92036-018	RING-SNAP	1	1	1	1		
92037	92037-1396	CLAMP,TUBE	3	3	3	3		
92037A	92037-147	CLAMP,TUBE	1	1	1	1		
92037B	92037-1712	CLAMP	1	1	1	1		
92037C	92037-1969	CLAMP,HOSE	1	1	1	1		
92043	92043-1207	PIN,FLOAT	1	1	1	1		
92055	92055-1167	RING-O,MAIN JET COVER	1	1	1	1		



This catalog covers:

'06~'07 KX85 A6F/A7F/B6F/B7F Engine

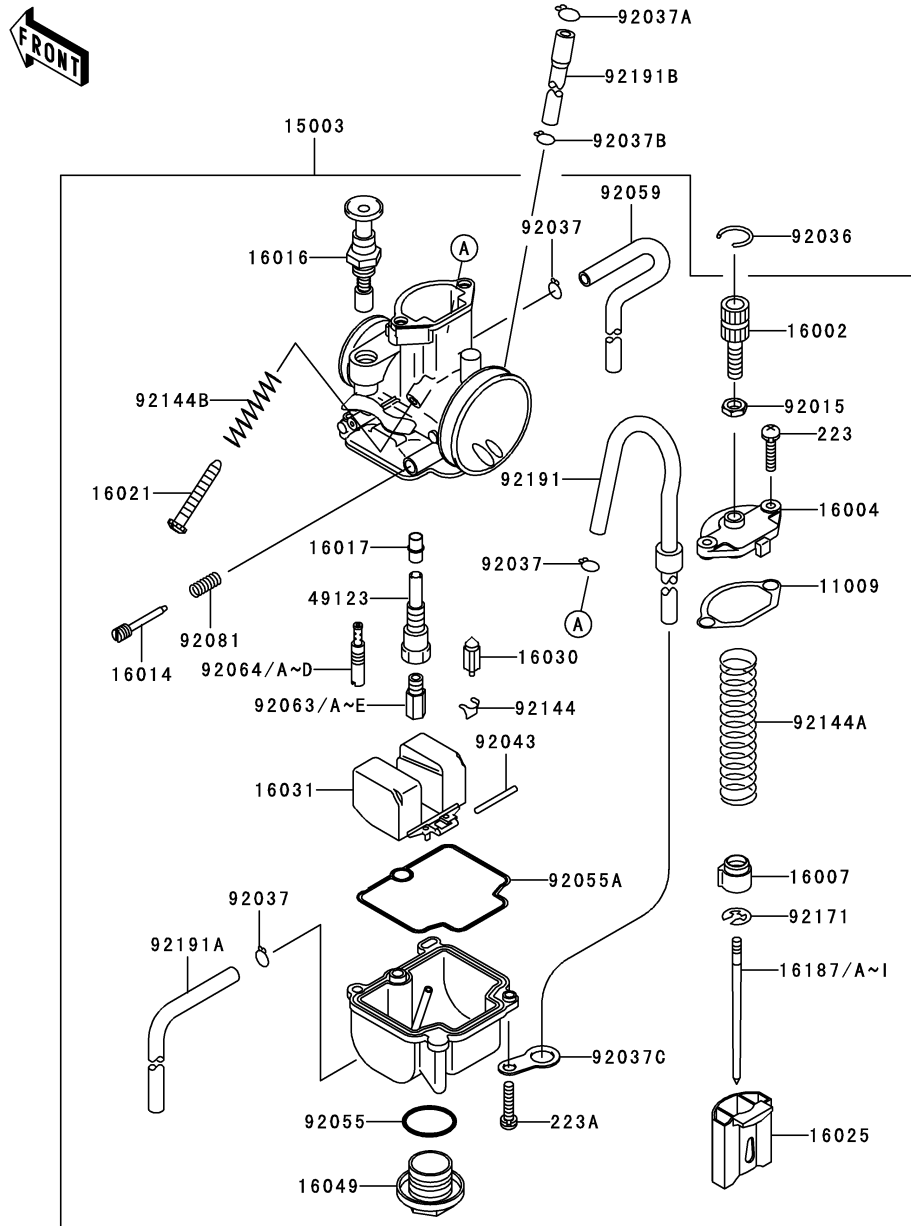
GRID NO.

**C-4**

This grid covers:

**Carburetor(2/2)**

E1611



Ref. No.	Part No.	Description	Spec Code	Quantity-KX85				
				'06	'07	'06	'07	
				A6F	A7F	B6F	B7F	
92055A	92055-1389	RING-O,FLOAT CHAMBER	1	1	1	1		
92059	92059-1941	TUBE,4X7X360	1	1	1	1		
92063	92063-1338	JET-MAIN,#135	1	1	1	1		
	(OPTION)							
92063A	92063-1359	JET-MAIN,#138	1	1	1	1		
	(OPTION)							
92063B	92063-1360	JET-MAIN,#140	1	1	1	1		
	(OPTION)							
92063C	92063-1361	JET-MAIN,#142	1	1	1	1		
	(OPTION)							
92063D	92063-1362	JET-MAIN,#145	1	1	1	1		
	(OPTION)							
92063E	92063-1364	JET-MAIN,#150	1	1	1	1		
	(OPTION)							
92064	92064-1140	JET-PILOT,#40	1	1	1	1		
	(OPTION)							
92064A	92064-1141	JET-PILOT,#42	1	1	1	1		
	(OPTION)							
92064B	92064-1142	JET-PILOT,#45	1	1	1	1		
92064C	92064-1143	JET-PILOT,#48	1	1	1	1		
	(OPTION)							
92064D	92064-1144	JET-PILOT,#50	1	1	1	1		
	(OPTION)							
92081	92081-1555	SPRING,ADJUST SCREW	1	1	1	1		
92144	92144-1178	SPRING,FLOAT VALVE	1	1	1	1		
92144A	92144-1566	SPRING,THROTTLE VALVE	1	1	1	1		
92144B	92144-1782	SPRING,THROTTLE STOP SCREW	1	1	1	1		
92171	92171-1323	CLAMP	1	1	1	1		
92191	92191-1243	TUBE,4X7X560	1	1	1	1		
92191A	92191-1591	TUBE,4X7X420	1	1	1	1		
92191B	92191-1610	TUBE	1	1	1	1		
	223	223C0414	2	2	2	2		
	223A	223C0416	2	2	2	2		

This catalog covers:

'06~'07 KX85 A6F/A7F/B6F/B7F Engine

GRID NO.

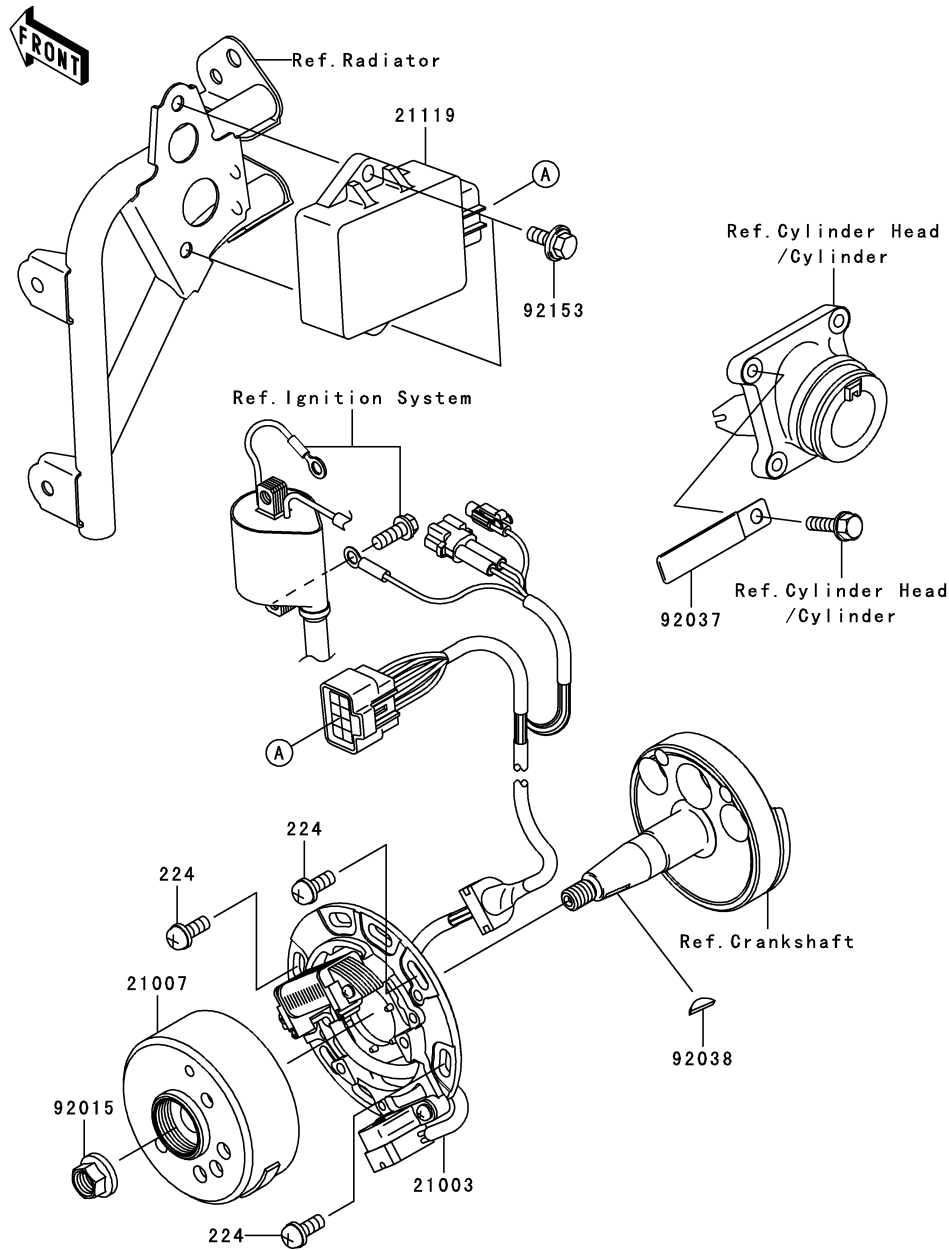
**C-5**

This grid covers:

**Generator**

E1810

Ref. No.	Part No.	Description	Spec Code	Quantity-KX85				
				'06	'07	'06	'07	
				A6F	A7F	B6F	B7F	
21003	21003-0032	STATOR	1	1	1	1		
21007	21007-0073	ROTOR	1	1	1	1		
21119	21119-0048	IGNITER	1	1	1	1		
92015	92015-077	NUT,FLANGED,10MM	1	1	1	1		
92037	92037-1069	CLAMP,L=60	1	1	1	1		
92038	92038-001	KEY,WOODRUFF	1	1	1	1		
92153	92153-0863	BOLT,6X16	2	2	2	2		
224	224B0614	SCREW-PAN-WP-CROS,6X14	3	3	3	3		



This catalog covers:

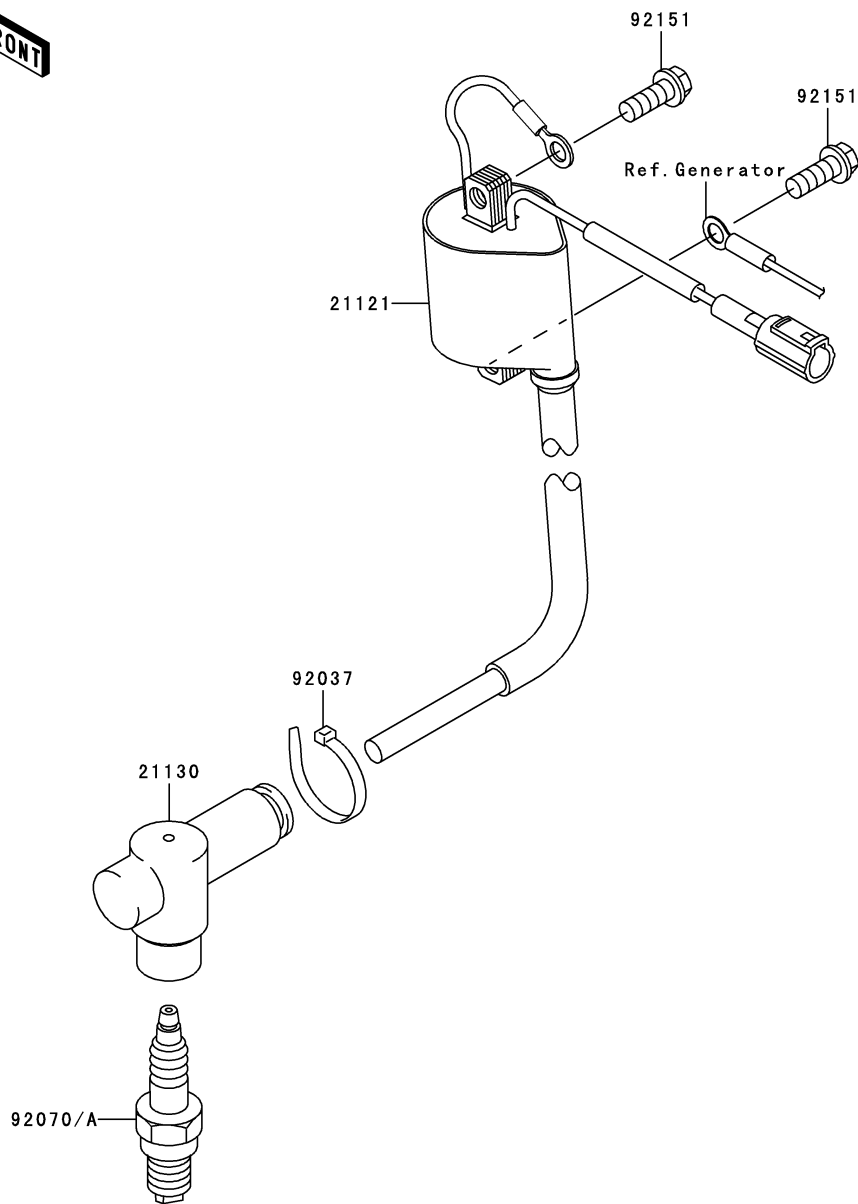
'06~'07 KX85 A6F/A7F/B6F/B7F Engine

GRID NO.

**C-6**

This grid covers:

**Ignition System**



E1830

Ref. No.	Part No.	Description	Spec Code	Quantity-KX85			
				'06	'07	'06	'07
				A6F	A7F	B6F	B7F
21121	21121-0022	COIL-IGNITION	1	1	1	1	
21130	21130-1077	CAP-SPARK PLUG	1	1	1	1	
92037	92037-1173	CLAMP	1	1	1	1	
92070	92070-1228	PLUG-SPARK,BR9EVX(NGK),SOLID	AR	AR	AR	AR	
	(OPTION)						
92070A	92070-1241	PLUG-SPARK,R6252K-105NGK,SOLID	1	1	1	1	
92151	92151-1311	BOLT,6X18	2	2	2	2	

This catalog covers:

'06~'07 KX85 A6F/A7F/B6F/B7F Engine

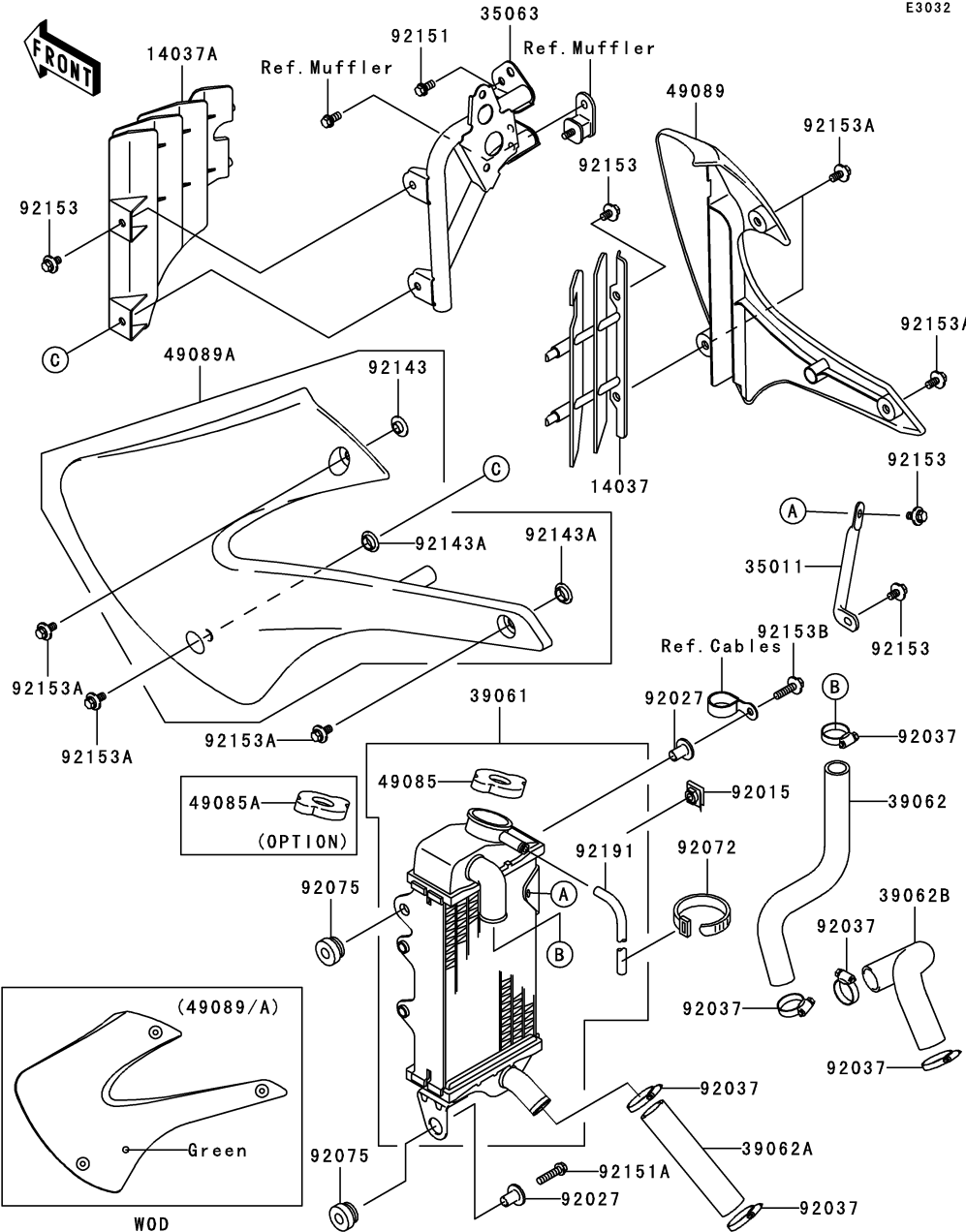
GRID NO.

**C-7**

This grid covers:

**Radiator**

E3032



Ref. No.	Part No.	Description	Spec Code	Quantity-KX85			
				'06	'07	'06	'07
				A6F	A7F	B6F	B7F
14037	14037-1249-RZ	SCREEN,RH,WHITE	1	1	1	1	
14037A	14037-1282-RZ	SCREEN,LH,WHITE	1	1	1	1	
35011	35011-1845	STAY	1	1	1	1	
35063	35063-1137	STAY	1	1	1	1	
39061	39061-1245	RADIATOR-ASSY	1	1	1	1	
39062	39062-1425	HOSE-COOLING,HEAD-RADIATOR	1	1	1	1	
39062A	39062-1711	HOSE-COOLING,RADIATOR-PUMP	1	1	1	1	
39062B	39062-1712	HOSE-COOLING,CYLINDER PUMP	1	1	1	1	
49085	49085-1070	CAP-ASSY-PRESSURE,P1.1	1	1	1	1	
49085A	49085-1073	CAP-ASSY-PRESSURE,P1.6	1	1	1	1	
	(OPTION)						
49089	49089-1139-290	SHROUD-ENGINE,RH,L.GREEN	1	1	1	1	
49089A	49089-1146-290	SHROUD-ENGINE,LH,L.GREEN	1	1	1	1	
92015	92015-1487	NUT	2	2	2	2	
92027	92027-1183	COLLAR	2	2	2	2	
92037	92037-1589	CLAMP,COOLING HOSE	6	6	6	6	
92072	92072-056	BAND,L=186	1	1	1	1	
92075	92075-1352	DAMPER	2	2	2	2	
92143	92143-1087	COLLAR	1	1	1	1	
92143A	92143-1196	COLLAR	2	2	2	2	
92151	92151-1133	BOLT,6X12	1	1	1	1	
92151A	92151-1930	BOLT,FLANGED-SMALL,6X25	1	1	1	1	
92153	92153-0503	BOLT,6X12	4	4	4	4	
92153A	92153-0936	BOLT,FLANGED,6X14	6	6	6	6	
92153B	92153-1008	BOLT,FLANGED WP,6X25	1	1	1	1	
92191	92191-1211	TUBE,6X9X700	1	1	1	1	



This catalog covers:

'06~'07 KX85 A6F/A7F/B6F/B7F Chassis

GRID NO.

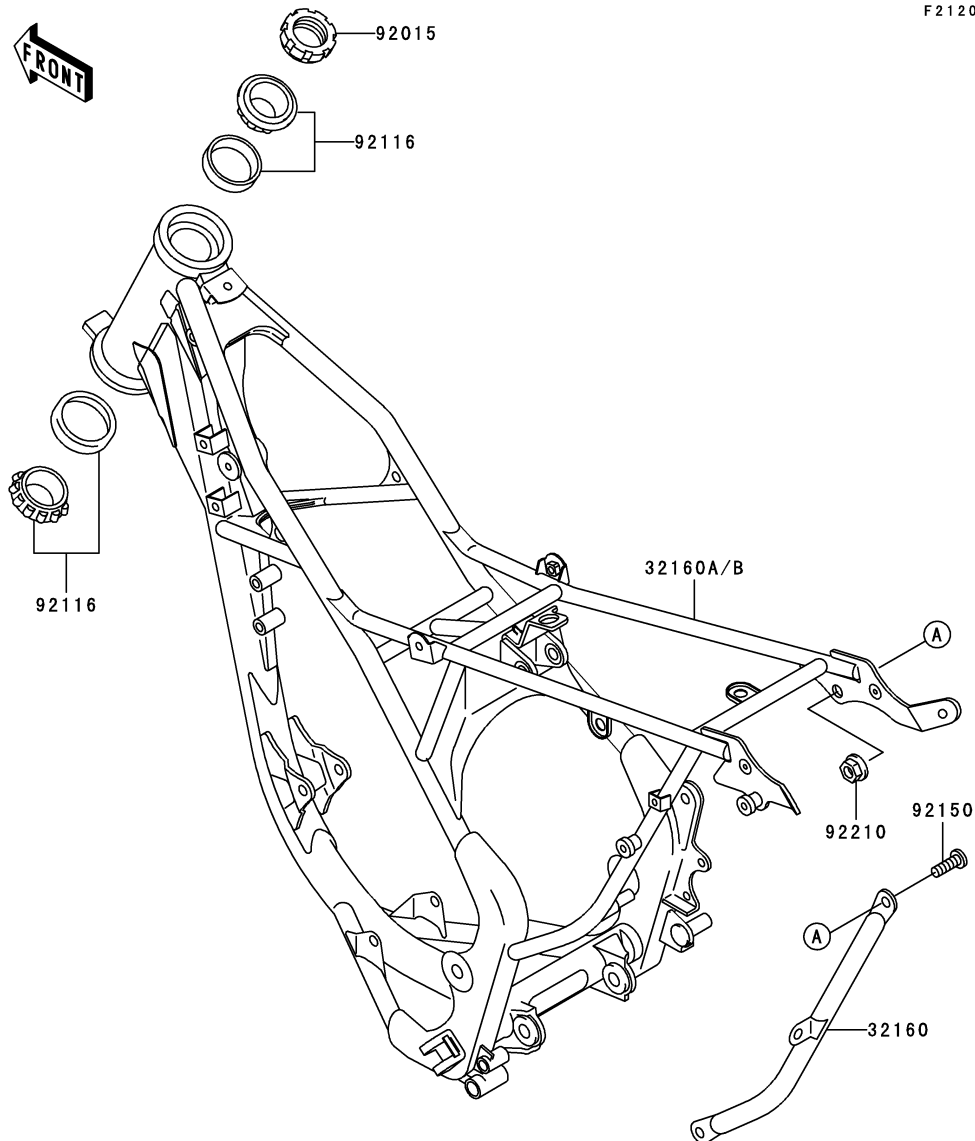
**D-3**

This grid covers:

**Frame**

F2120

Ref. No.	Part No.	Description	Spec Code	Quantity-KX85			
				'06	'07	'06	'07
				A6F	A7F	B6F	B7F
32160	32160-1486-458	FRAME-COMP,DOWNTUBE,RH,SILVER	1	1	1	1	
32160A	32160-1667-458	FRAME-COMP,MAIN,P,SILVER	1	1			
32160B	32160-1673-458	FRAME-COMP,MAIN,P,SILVER			1	1	
92015	92015-1684	NUT,STEERING STEM,25MM	1	1	1	1	
92116	92116-1065	BEARING-ROLLER,H1-CAP32005JRRS	2	2	2	2	
92150	92150-1221	BOLT,SOCKET,10X23	2	2	2	2	
92210	92210-1080	NUT,LOCK,FLANGED,10MM	2	2	2	2	



This catalog covers:

'06~'07 KX85 A6F/A7F/B6F/B7F Chassis

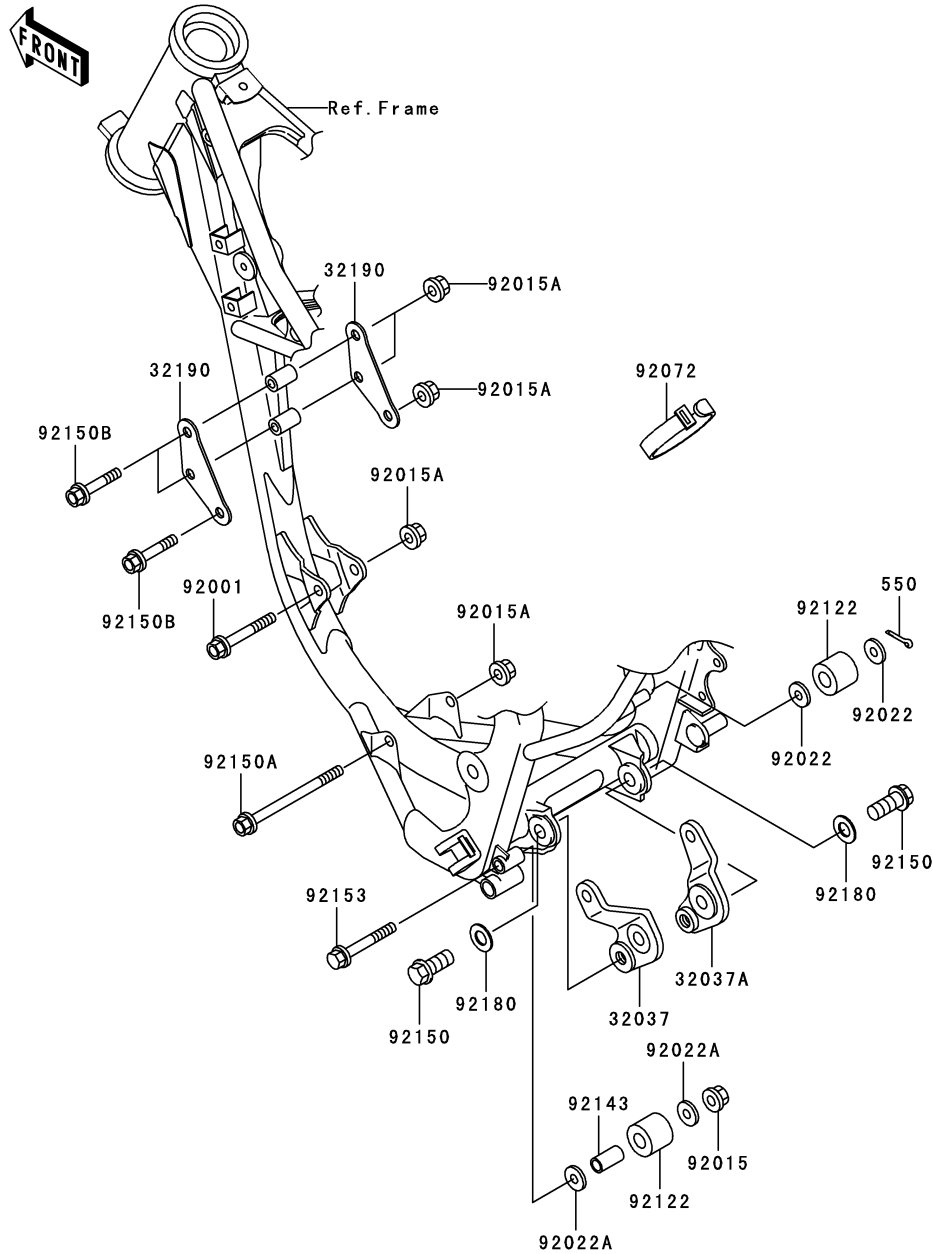
GRID NO.

**D-4**

This grid covers:

**Engine Mount**

F2122



Ref. No.	Part No.	Description	Spec Code	Quantity-KX85				
				'06	'07	'06	'07	
				A6F	A7F	B6F	B7F	
32037	32037-1552	BRACKET-SHOCKABSORBER	1	1	1	1		
32037A	32037-1553	BRACKET-SHOCKABSORBER	1	1	1	1		
32190	32190-1119	BRACKET-ENGINE,HEAD	2	2	2	2		
92001	92001-1006	BOLT,FLANGED,8X63	1	1	1	1		
92015	92015-1143	NUT,8MM	1	1	1	1		
92015A	92015-1432	NUT,8MM	5	5	5	5		
92022	92022-107	WASHER	2	2	2	2		
92022A	92022-1561	WASHER,8.5X20X1.6	2	2	2	2		
92072	92072-1293	BAND,L=140	3	3	3	3		
92122	92122-1213	ROLLER,CHAIN GUIDE	2	2	2	2		
92143	92143-1432	COLLAR,9.5X12.7X25	1	1	1	1		
92150	92150-1359	BOLT,FLANGED,12X27	2	2	2	2		
92150A	92150-1482	BOLT,FLANGED,8X105	1	1	1	1		
92150B	92150-1487	BOLT,FLANGED,8X45	3	3	3	3		
92153	92153-1012	BOLT,FLANGED,8X60	1	1	1	1		
92180	92180-1060	SHIM,12.5X24X0.5	2	2	2	2		
550	550D2518	PIN-COTTER,2.5X18	1	1	1	1		

This catalog covers:

'06~'07 KX85 A6F/A7F/B6F/B7F Chassis

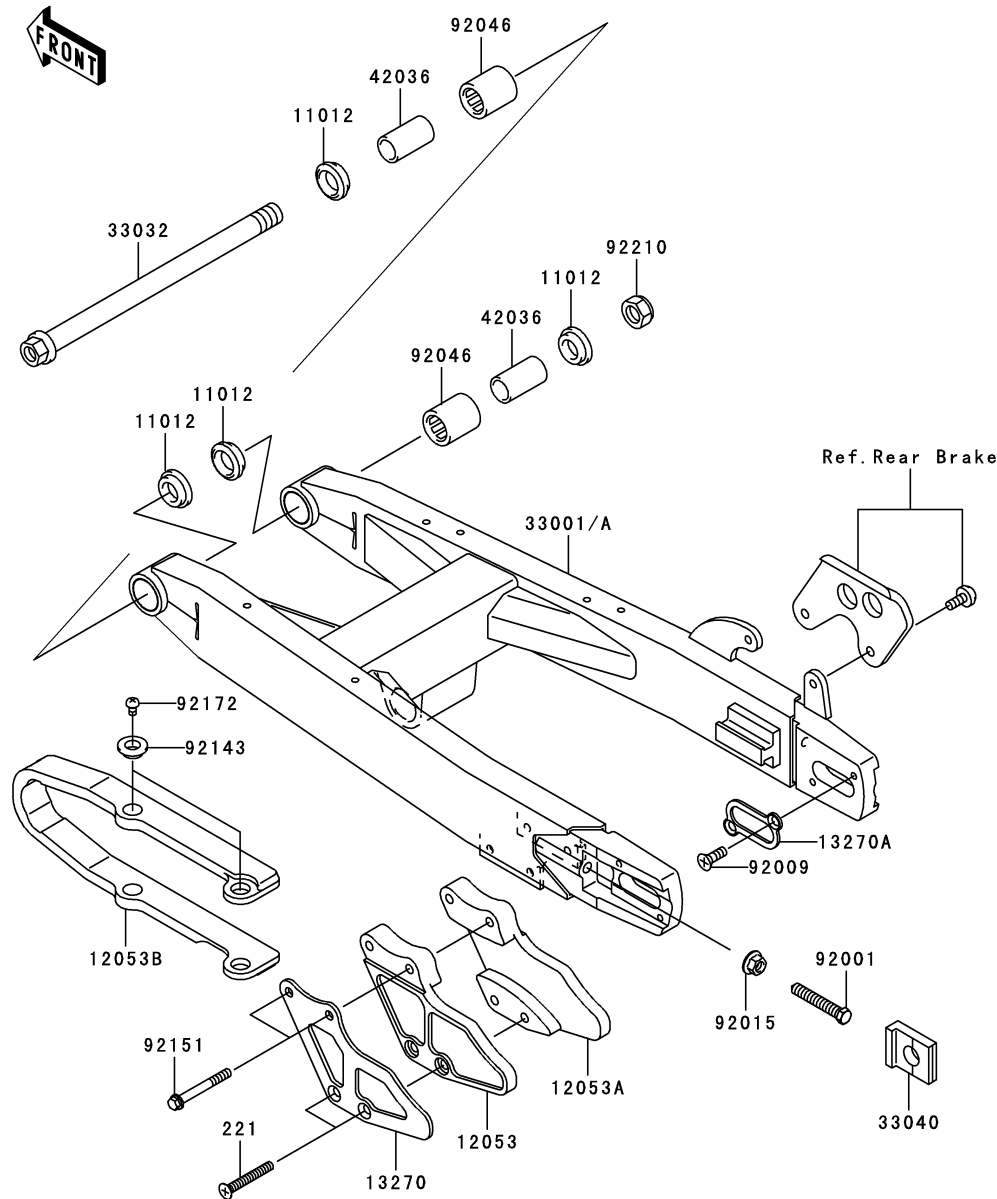
GRID NO.

**D-5**

This grid covers:

**Swingarm**

F2141



Ref. No.	Part No.	Description	Spec Code	Quantity-KX85				
				'06	'07	'06	'07	
				A6F	A7F	B6F	B7F	
11012	11012-1263	CAP	4	4	4	4		
12053	12053-1203	GUIDE-CHAIN,RR,LH	1	1	1	1		
12053A	12053-1204	GUIDE-CHAIN,RR,RH	1	1	1	1		
12053B	12053-1414	GUIDE-CHAIN,FR	1	1	1	1		
13270	13270-1829	PLATE,GUIDE CHAIN	1	1	1	1		
13270A	13270-1899	PLATE	2	2	2	2		
33001	33001-1542-458	ARM-COMP-SWING,P,SILVER	1	1				
33001A	33001-1543-458	ARM-COMP-SWING,P,SILVER			1	1		
33032	33032-1161	SHAFT-SWING ARM	1	1	1	1		
33040	33040-1173	ADJUSTER-CHAIN	2	2	2	2		
42036	42036-1067	SLEEVE,SWING ARM,L=34	2	2	2	2		
92001	92001-1179	BOLT,8X46	2	2	2	2		
92009	92009-1828	SCREW,5X10	4	4	4	4		
92015	92015-1014	NUT,FLANGED,8MM	2	2	2	2		
92046	92046-1046	BEARING-NEEDLE	2	2	2	2		
92143	92143-1676	COLLAR	4	4	4	4		
92151	92151-1234	BOLT,6X50	2	2	2	2		
92172	92172-0119	SCREW,5X8	4	4	4	4		
92210	92210-1249	NUT,LOCK,12MM	1	1	1	1		
221	221B0645	SCREW-CSK-CROS,6X45	2	2	2	2		

This catalog covers:

'06~'07 KX85 A6F/A7F/B6F/B7F Chassis

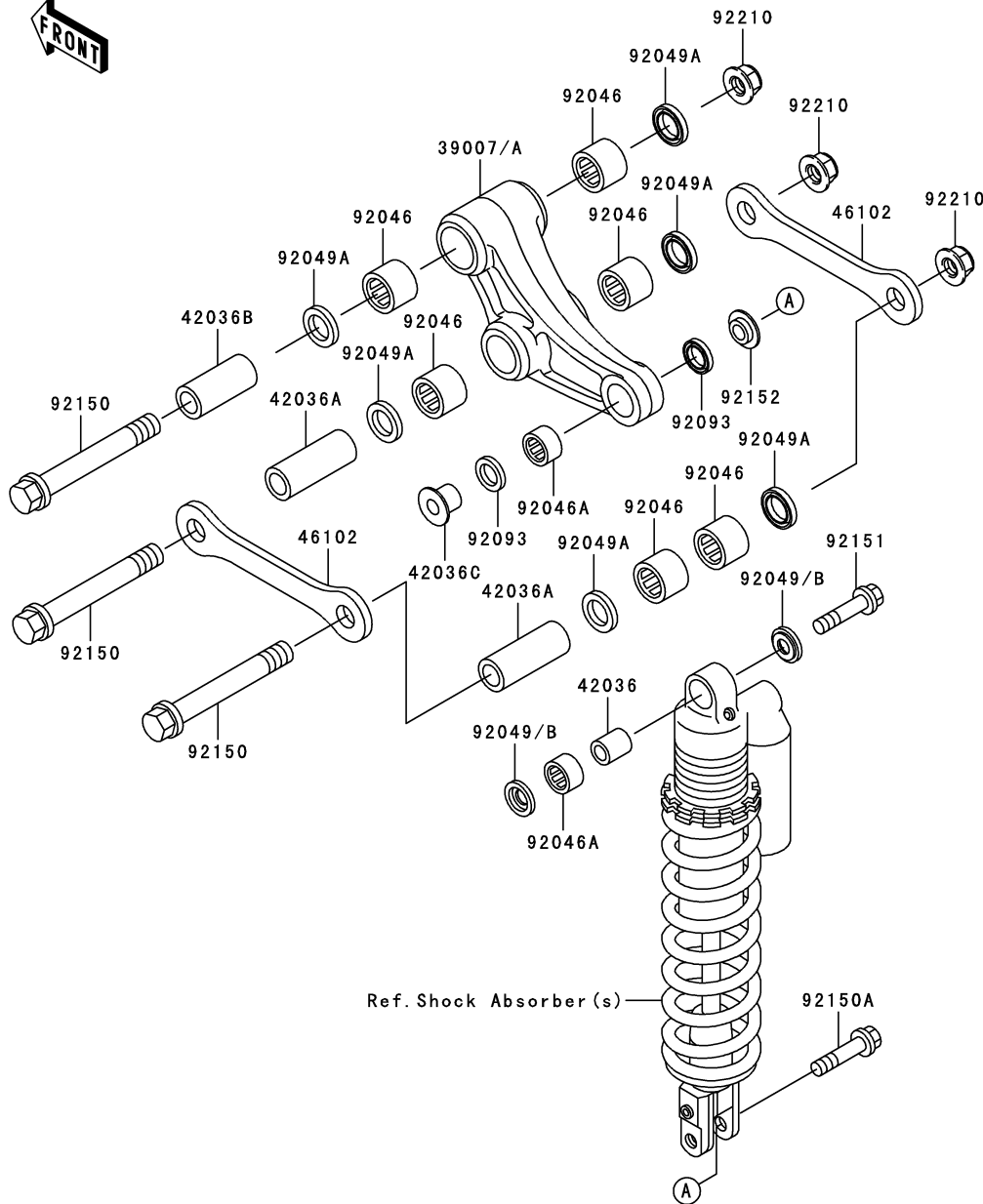
GRID NO.

**D-6**

This grid covers:

**Suspension**

F2150



Ref. No.	Part No.	Description	Spec Code	Quantity-KX85				
				'06	'07	'06	'07	
				A6F	A7F	B6F	B7F	
39007	39007-1261	ARM-SUSP,UNI TRAK	1	1				
39007A	39007-1262	ARM-SUSP,UNI TRAK			1	1		
42036	42036-1248	SLEEVE,10X16X19	1	1	1	1		
42036A	42036-1273	SLEEVE,12X18X57	2	2	2	2		
42036B	42036-1274	SLEEVE,12X18X49	1	1	1	1		
42036C	42036-1351	SLEEVE	1	1	1	1		
46102	46102-1291	ROD,SUSPENSION	2	2	2	2		
92046	92046-1144	BEARING-NEEDLE,18BM2416	6	6	6	6		
92046A	92046-1192	BEARING-NEEDLE,16BM2212	2	2	2	2		
92049	92049-0069	SEAL-OIL		2		2		
92049A	92049-1328	SEAL-OIL	6	6	6	6		
92049B	92049-1330	SEAL-OIL	2		2			
92093	92093-1436	SEAL	2	2	2	2		
92150	92150-1412	BOLT,FLANGED,12X83	3	3	3	3		
92150A	92150-1711	BOLT,FLANGED,10X40	1	1	1	1		
92151	92151-1413	BOLT,FLANGED,10X45	1	1	1	1		
92152	92152-1139	COLLAR	1	1	1	1		
92210	92210-0110	NUT,LOCK,FLANGED,12MM	3	3	3	3		

This catalog covers:

'06~'07 KX85 A6F/A7F/B6F/B7F Chassis

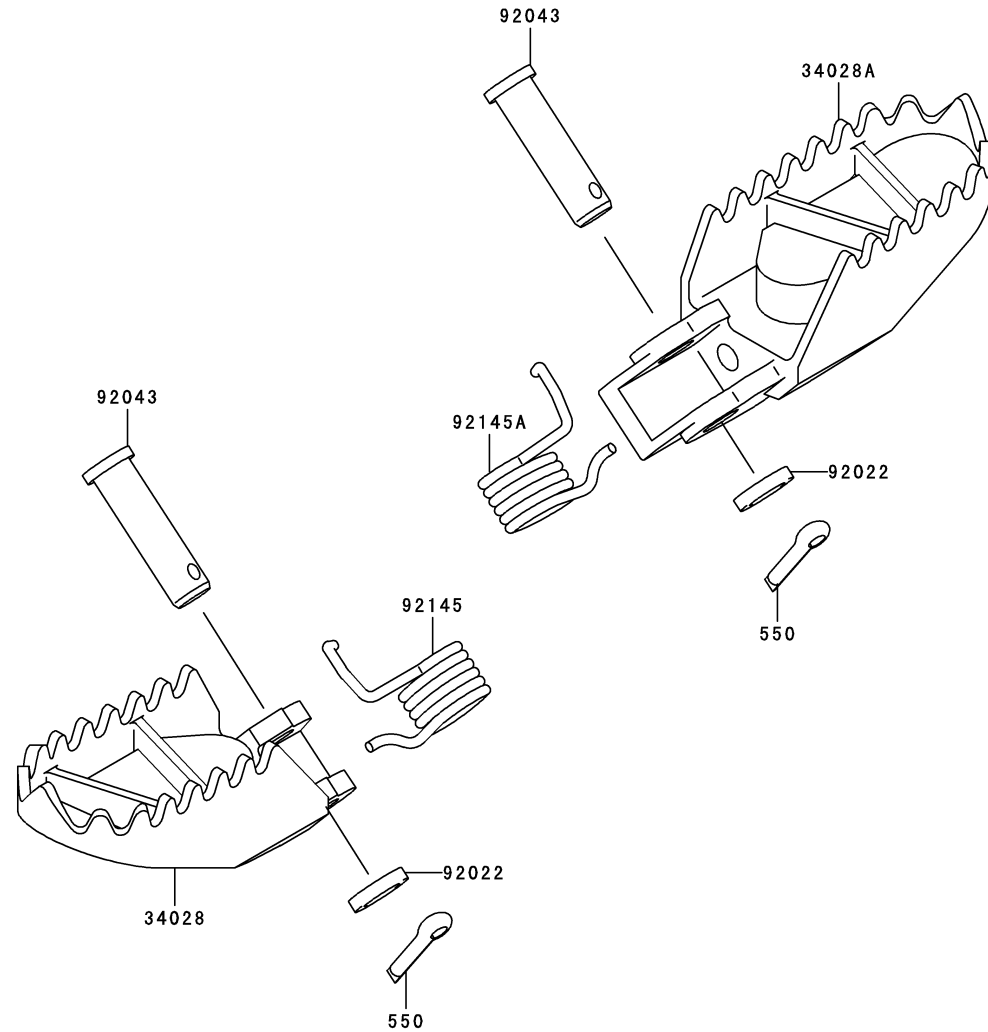
GRID NO.

**D-7**

This grid covers:

**Footrests**

F2160



Ref. No.	Part No.	Description	Spec Code	Quantity-KX85				
				'06	'07	'06	'07	
				A6F	A7F	B6F	B7F	
34028	34028-1498-CE	STEP,LH,SILVER	1	1	1	1		
34028A	34028-1499-CE	STEP,RH,SILVER	1	1	1	1		
92022	92022-1829	WASHER,10.2X16X1	2	2	2	2		
92043	92043-1643	PIN,10X37.5	2	2	2	2		
92145	92145-1106	SPRING,STEP,LH	1	1	1	1		
92145A	92145-1107	SPRING,STEP,RH	1	1	1	1		
550	550S3020	PIN-COTTER,3.0X20	2	2	2	2		

This catalog covers:

'06~'07 KX85 A6F/A7F/B6F/B7F Chassis

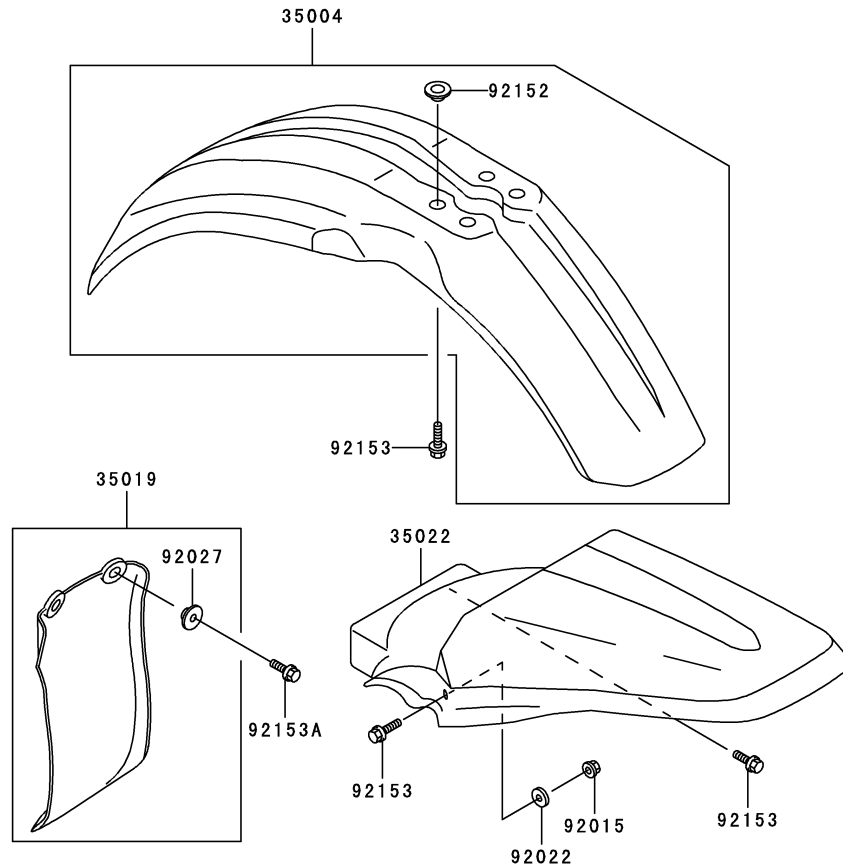
GRID NO.

**D-8**

This grid covers:

**Fenders**

F2170



Ref. No.	Part No.	Description	Spec Code	Quantity-KX85				
				'06	'07	'06	'07	
				A6F	A7F	B6F	B7F	
35004	35004-0028-290	FENDER-FRONT,L.GREEN	1	1	1	1		
35019	35019-1212	FLAP,REAR FENDER	1	1	1	1		
35022	35022-1353-290	FENDER-COMP-REAR,L.GREEN	1	1	1	1		
92015	92015-1339	NUT,LOCK,FLANGED,6MM	2	2	2	2		
92022	92022-125	WASHER,6.5X20X1.6	2	2	2	2		
92027	92027-1757	COLLAR	2	2	2	2		
92152	92152-1255	COLLAR	4	4	4	4		
92153	92153-0502	BOLT,6X20	8	8	8	8		
92153A	92153-0863	BOLT,6X16	2	2	2	2		

This catalog covers:

'06~'07 KX85 A6F/A7F/B6F/B7F Chassis

GRID NO.

**D-9**

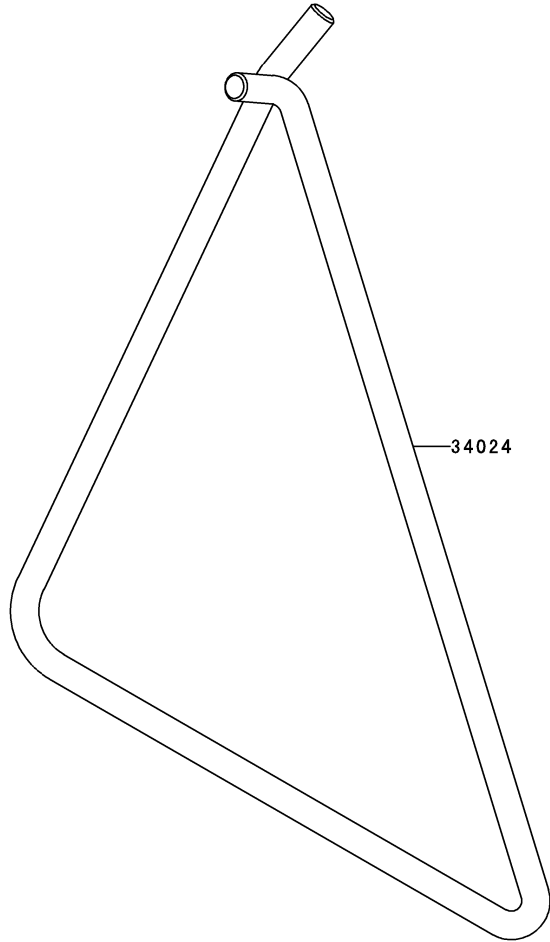
This grid covers:

**Stand(s)**



F2190

Ref. No.	Part No.	Description	Spec Code	Quantity-KX85						
				'06	'07	'06	'07			
				A6F	A7F	B6F	B7F			
34024	34024-1404-458	STAND-SIDE,P.SILVER					1	1	1	1



This catalog covers:

'06~'07 KX85 A6F/A7F/B6F/B7F Chassis

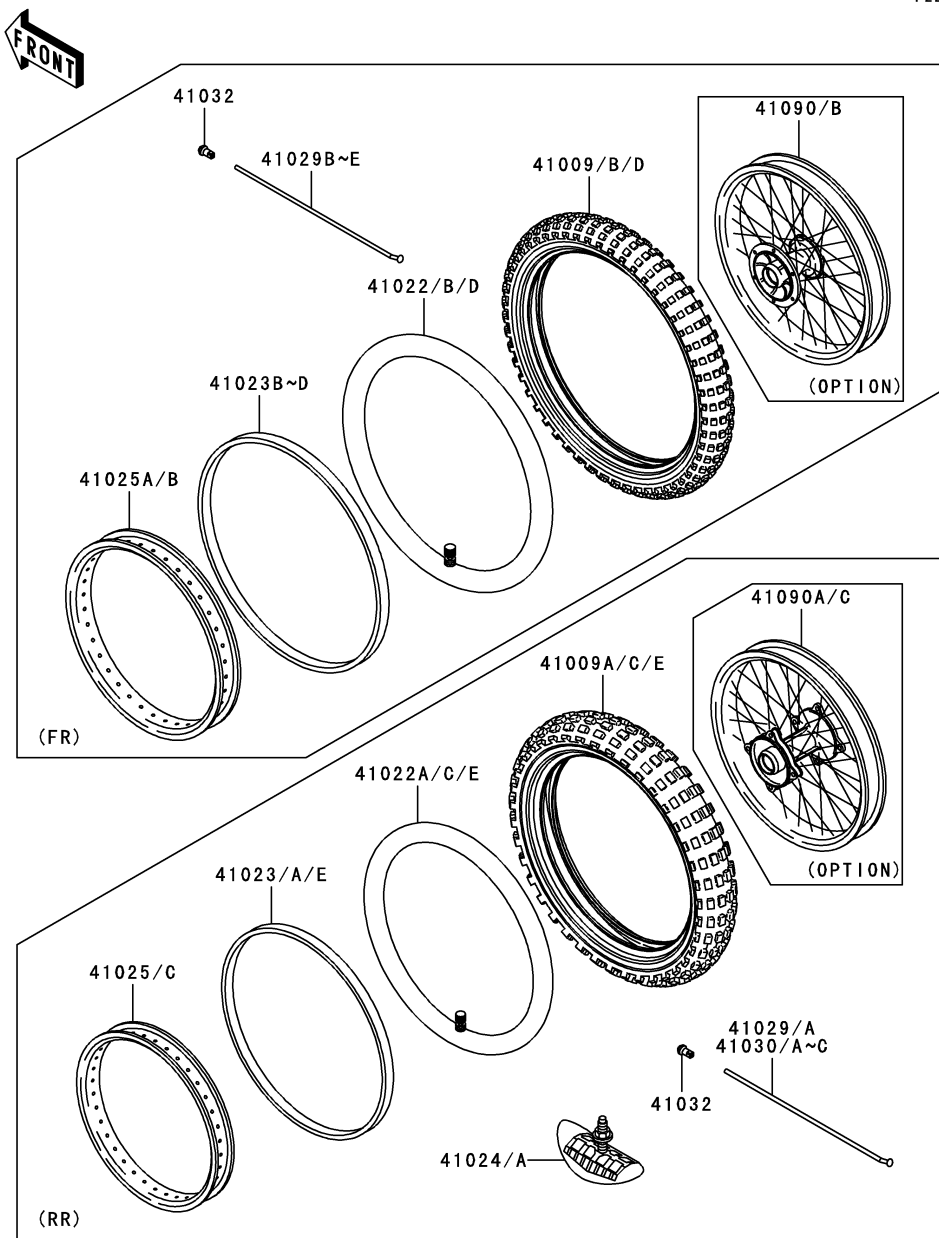
GRID NO.

**D-10**

This grid covers:

**Tires(1/2)**

F2210



Ref. No.	Part No.	Description	Spec Code	Quantity-KX85				
				'06	'07	'06	'07	
				A6F	A7F	B6F	B7F	
41009	41009-0051	TIRE,FR,70/100-19 42M,M401(BS)						
	L-----		AS			1	1	
41009A	41009-0052	TIRE,RR,90/100-16 52M,M402(BS)						
	L-----		AS			1	1	
41009B	41009-0113	TIRE,FR,70/100-17 40M,D756F(D)				1	1	
41009C	41009-0114	TIRE,RR,90/100-14 49M,D756(D)				1	1	
41009D	41009-0115	TIRE,FR,70/100-19 42M,D756F(D)						
	L-----		EU			1	1	
41009E	41009-0116	TIRE,RR,90/100-16 52M,D756(D)						
	L-----		EU			1	1	
41022	41022-1121	TUBE-TIRE,FR,70/100-19(D)						
	L-----		EU			1	1	
41022A	41022-1122	TUBE-TIRE,90/100-16(D)						
	L-----		EU			1	1	
41022B	41022-1124	TUBE-TIRE,70/100-17(D)				1	1	
41022C	41022-1125	TUBE-TIRE,90/100-14(D)				1	1	
41022D	41022-1203	TUBE-TIRE,70/100-19(BS)						
	L-----		AS			1	1	
41022E	41022-1204	TUBE-TIRE,90/100-16(BS)						
	L-----		AS			1	1	
41023	41023-1068	BAND-RIM,80/100-14(D)				1	1	
41023A	41023-1072	BAND-RIM,RR,90/100-16(D)						
	L-----		EU			1	1	
41023B	41023-1074	BAND-RIM,90.100/90-19(D)						
	L-----		EU			1	1	
41023C	41023-1082	BAND-RIM,100/90-17(D)				1	1	
41023D	41023-1122	BAND-RIM,X-19(BS)						
	L-----		AS			1	1	
41023E	41023-1123	BAND-RIM,X-16A(BS)						
	L-----		AS			1	1	
41024	41024-010	STOPPER-RIM,1.60-M(DUNLOP)				1	1	
41024A	41024-011	STOPPER-RIM,1.85-M(DUNLOP)						
41025	41025-1441	RIM,RR,1.85X16						1 1
41025A	41025-1442	RIM,FR,1.40X19						1 1
41025B	41025-1443	RIM,FR,1.40X17				1	1	
41025C	41025-1444	RIM,RR,1.60X14				1	1	
41029	41029-1274	SPOKE-INNER,RR,157MMX170D				14	14	
41029A	41029-1278	SPOKE-INNER,RR,179MMX170D						14 14
41029B	41029-1288	SPOKE-INNER,FR,RH,211MMX165D						14 14
41029C	41029-1289	SPOKE-INNER,FR,LH,207MMX165D						14 14
41029D	41029-1290	SPOKE-INNER,FR,RH,187MMX166D				14	14	
41029E	41029-1291	SPOKE-INNER,FR,LH,183MMX166D				14	14	



This catalog covers:

'06~'07 KX85 A6F/A7F/B6F/B7F Chassis

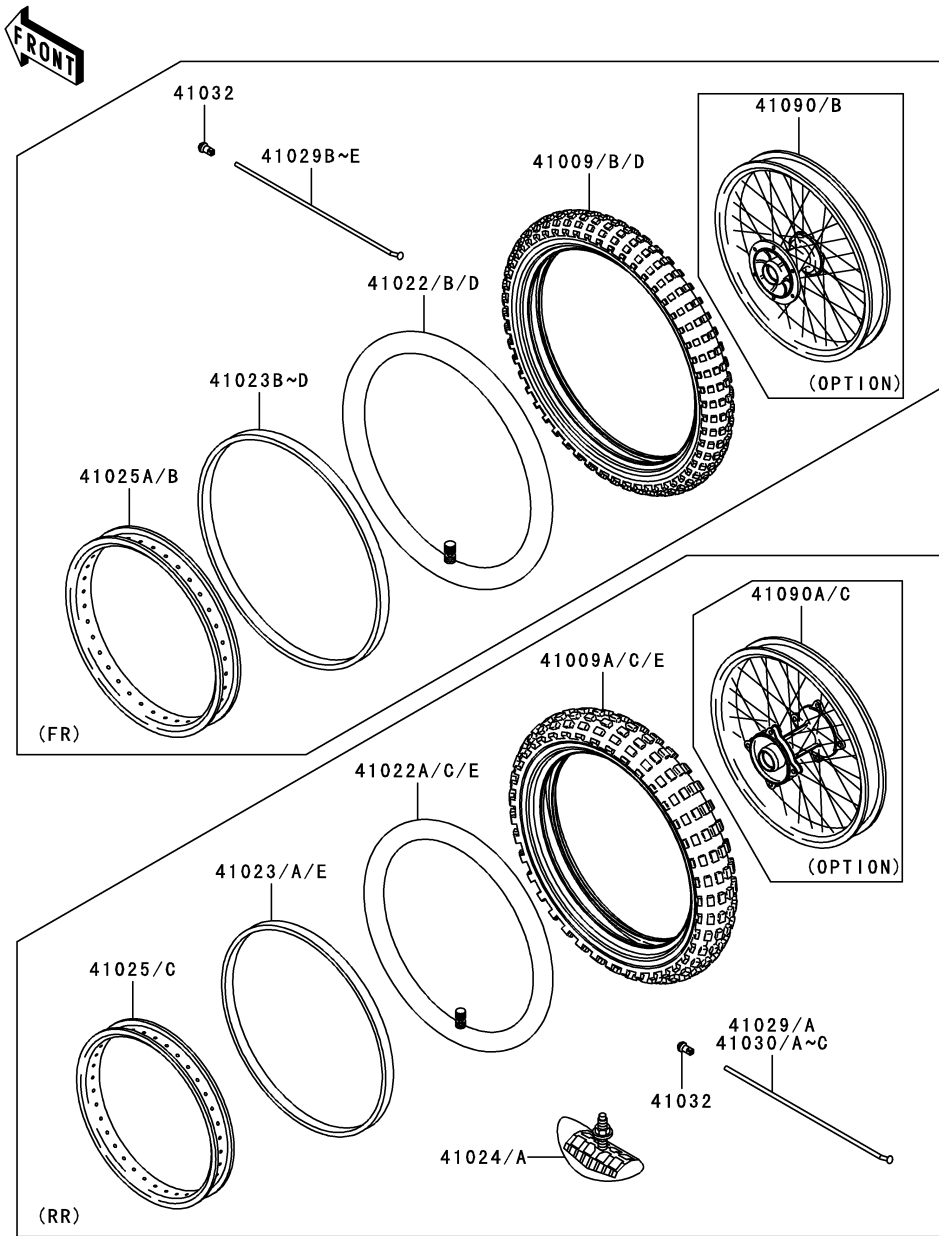
GRID NO.

**D-11**

This grid covers:

**Tires(2/2)**

F2210



Ref. No.	Part No.	Description	Spec Code	Quantity-KX85				
				'06	'07	'06	'07	
				A6F	A7F	B6F	B7F	
41030	41030-1150	SPOKE-OUTER,RR,RH,149MMX172D	7	7				
41030A	41030-1151	SPOKE-OUTER,RR,RH,171MMX170D			7	7		
41030B	41030-1160	SPOKE-OUTER,RR,LH,153MMX172D	7	7				
41030C	41030-1161	SPOKE-OUTER,RR,LH,175MMX170D				7	7	
41032	41032-1077	NIPPLE-SPOKE,8X9X20(+)	56	56	56	56		
41090	41090-0006	WHEEL-SUB ASSY,FR (OPTION)	1	1				
41090A	41090-0007	WHEEL-SUB ASSY,RR (OPTION)	1	1				
41090B	41090-0008	WHEEL-SUB ASSY,FR (OPTION)				1	1	
41090C	41090-0009	WHEEL-SUB ASSY,RR (OPTION)				1	1	

This catalog covers:

'06~'07 KX85 A6F/A7F/B6F/B7F Chassis

GRID NO.

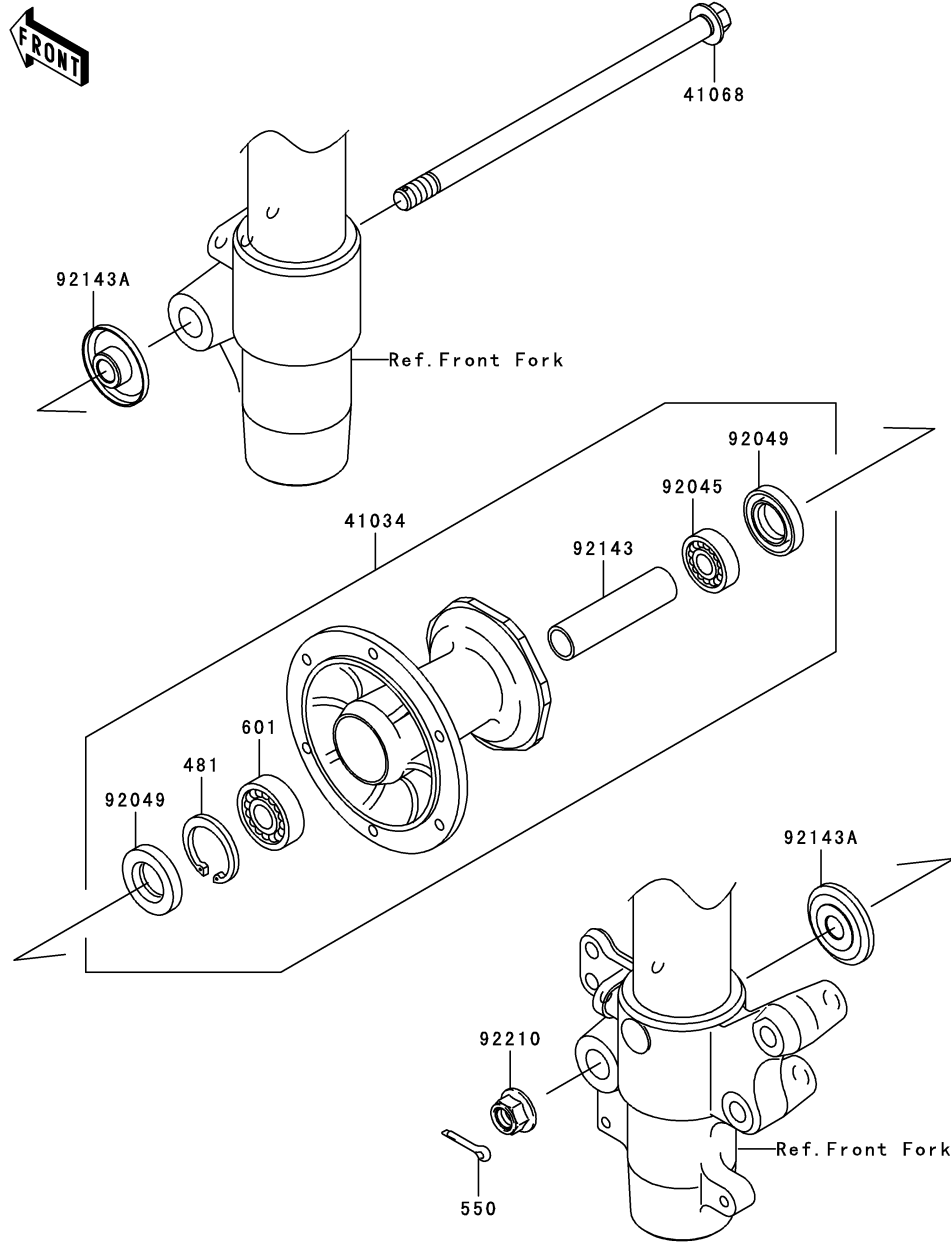
**D-12**

This grid covers:

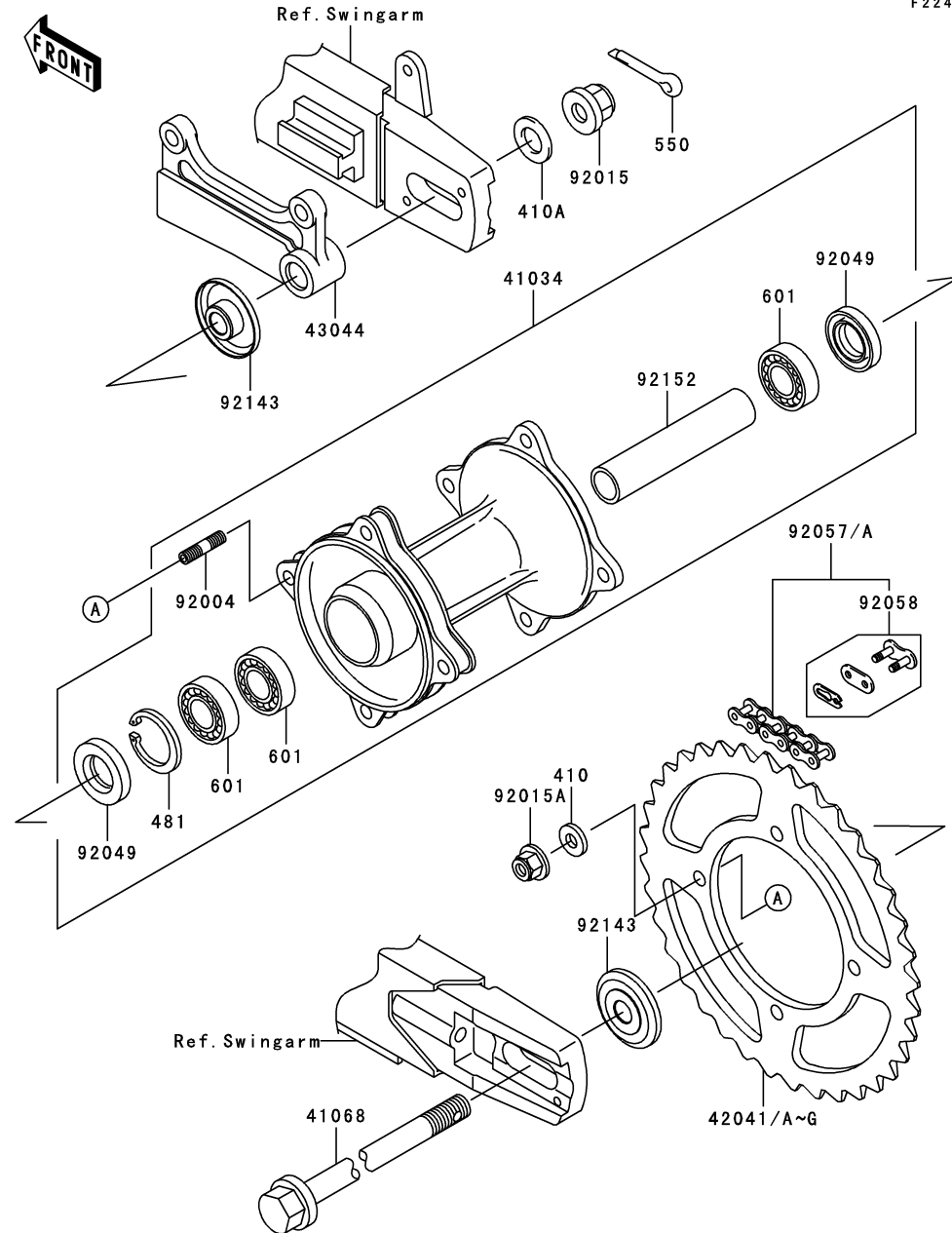
**Front Hub**

F2230

Ref. No.	Part No.	Description	Spec Code	Quantity-KX85				
				'06	'07	'06	'07	
				A6F	A7F	B6F	B7F	
41034	41034-1310	DRUM-ASSY,FRONT BRAKE	1	1	1	1		
41068	41068-1333	AXLE,FR	1	1	1	1		
92045	92045-1062	BEARING-BALL,TMB201LLUC3/2A	1	1	1	1		
92049	92049-1257	SEAL-OIL,TC20376.5	2	2	2	2		
92143	92143-1935	COLLAR,FR BRAKE DRUM,L=76	1	1	1	1		
92143A	92143-1936	COLLAR,FR AXLE,L=12	2	2	2	2		
92210	92210-0110	NUT,LOCK,FLANGED,12MM	1	1	1	1		
481	481J3700	CIRCLIP-TYPE-C,37MM	1	1	1	1		
550	550D2520	PIN-COTTER,2.5X20	1	1	1	1		
601	601B6301UU	BEARING-BALL,#6201UUC3	1	1	1	1		



F2240



Ref. No.	Part No.	Description	Spec Code	Quantity-KX85				
				'06	'07	'06	'07	
				A6F	A7F	B6F	B7F	
41034	41034-1323	DRUM-ASSY,REAR BRAKE	1	1	1	1		
41068	41068-1401	AXLE,RR	1	1	1	1		
42041	42041-1207	SPROCKET-HUB,49T	1	1	1	1		
42041A	42041-1227	(OPTION) SPROCKET-HUB,48T	1	1				
42041B	42041-1228	(OPTION) SPROCKET-HUB,50T	1	1				
42041C	42041-1228	(OPTION) SPROCKET-HUB,50T					1	1
42041D	42041-1229	SPROCKET-HUB,51T					1	1
42041E	42041-1229	(OPTION) SPROCKET-HUB,51T	1	1				
42041F	42041-1245	(OPTION) SPROCKET-HUB,52T	1	1	1	1		
42041G	42041-1246	(OPTION) SPROCKET-HUB,53T					1	1
43044	43044-1122	HOLDER-COMP-CALIPER	1	1	1	1		
92004	92004-1183	STUD,8X16	4	4	4	4		
92015	92015-1401	NUT,FLANGED,14MM	1	1	1	1		
92015A	92015-1432	NUT,8MM	4	4	4	4		
92049	92049-1469	SEAL-OIL	2	2	2	2		
92057	92057-1496	CHAIN,DRIVE,DID420DS2X120L	1	1				
92057A	92057-1497	CHAIN,DRIVE,DID420DS2X124L					1	1
92058	92058-1086	JOINT-CHAIN,DRIVE	1	1	1	1		
92143	92143-1938	COLLAR,RR AXLE,L=12.5	2	2	2	2		
92152	92152-1090	COLLAR,RR BRAKE DRUM,L=95	1	1	1	1		
410	410B0800	WASHER-PLAIN-SMALL,8MM	4	4	4	4		
410A	410B1400	WASHER-PLAIN-SMALL,14MM	1	1	1	1		
481	481J3500	CIRCLIP-TYPE-C,35MM	1	1	1	1		
550	550D2520	PIN-COTTER,2.5X20	1	1	1	1		
601	601B6202UU	BEARING-BALL	3	3	3	3		

This catalog covers:

'06~'07 KX85 A6F/A7F/B6F/B7F Chassis

GRID NO.

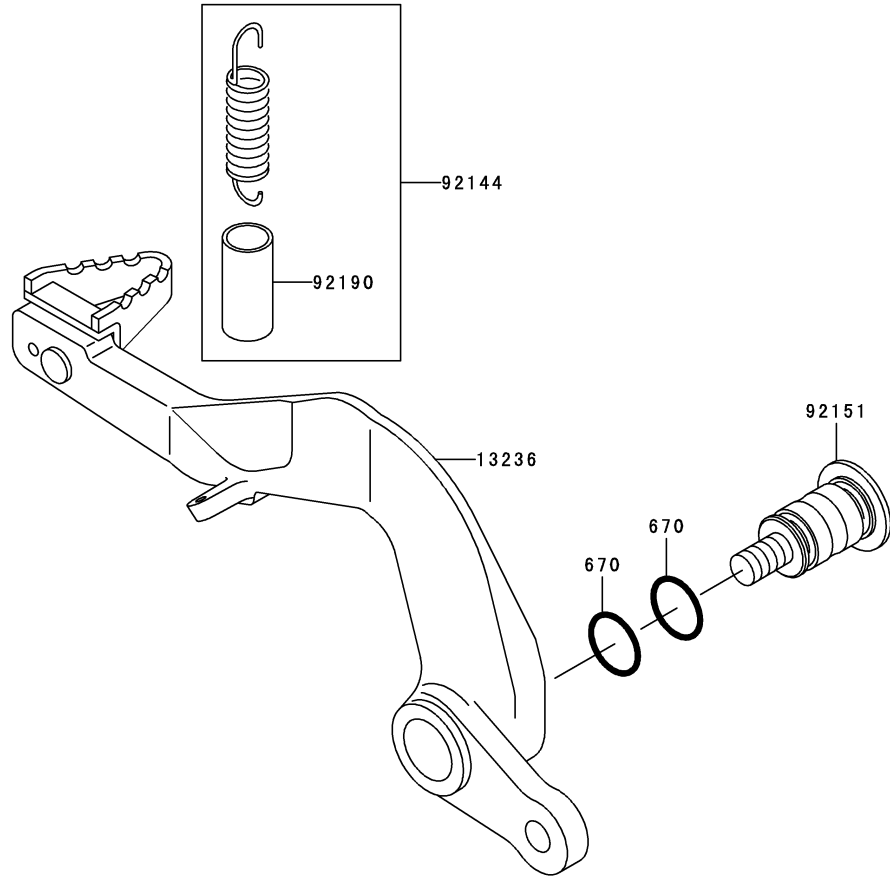
**D-14**

This grid covers:

**Brake Pedal**

F2260

Ref. No.	Part No.	Description	Spec Code	Quantity-KX85				
				'06	'07	'06	'07	
				A6F	A7F	B6F	B7F	
13236	13236-1353	LEVER-COMP,BRAKE PEDAL,ALUM.	1	1	1	1		
92144	92144-1752	SPRING,BRAKE PEDAL RETURN	1	1	1	1		
92151	92151-1572	BOLT,BRAKE PEDAL,8MM	1	1	1	1		
92190	92190-1488	TUBE,13X16X25	1	1	1	1		
670	670B2012	O RING,12MM	2	2	2	2		



This catalog covers:

'06~'07 KX85 A6F/A7F/B6F/B7F Chassis

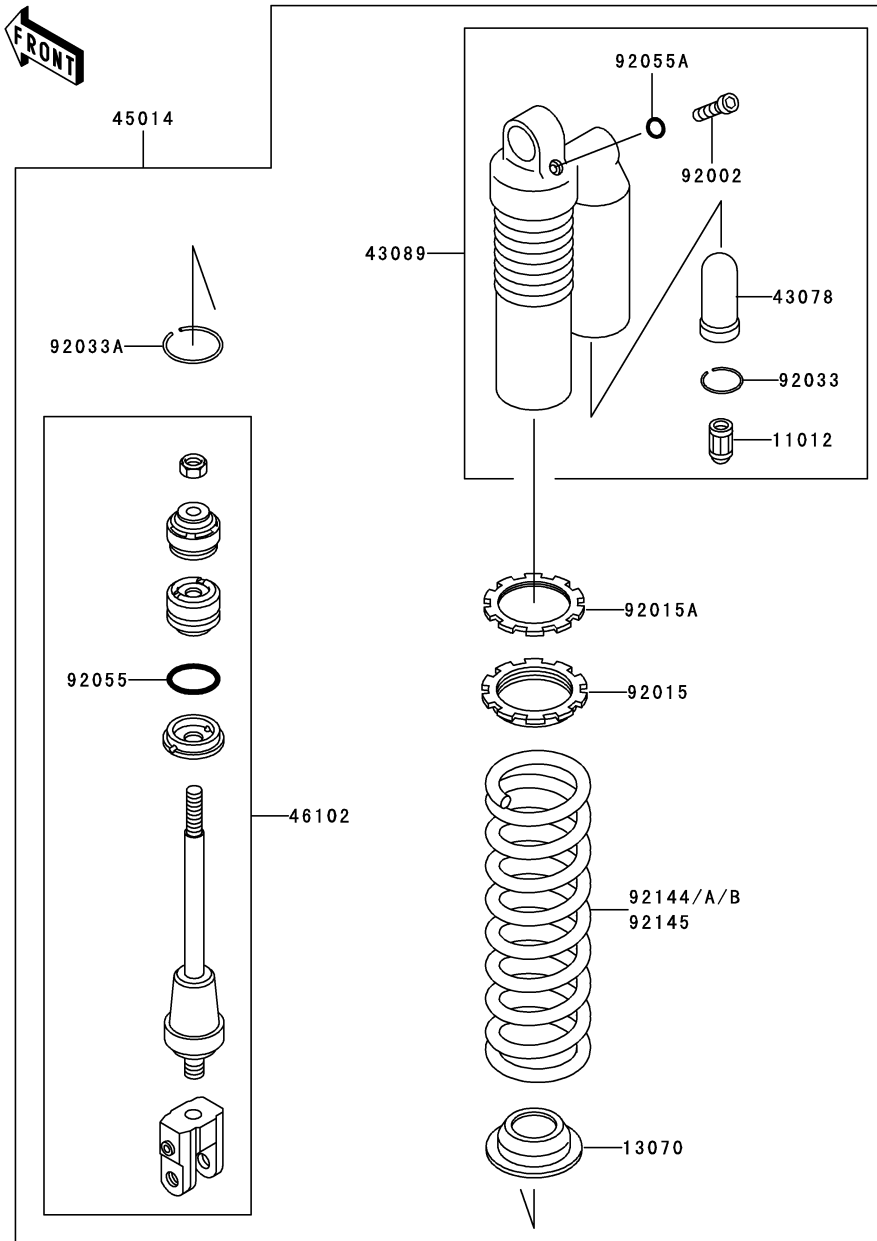
GRID NO.

**E-3**

This grid covers:

**Shock Absorber(s)**

F2280



Ref. No.	Part No.	Description	Spec Code	Quantity-KX85				
				'06	'07	'06	'07	
				A6F	A7F	B6F	B7F	
11012	11012-1391	CAP,VALVE AIR	1	1	1	1		
13070	13070-1233	GUIDE,SPRING	1	1	1	1		
43078	43078-1112	RESERVOIR,SHOCKABSORBER	1	1	1	1		
43089	43089-0008-829	CYLINDER-SHOCKABSORBER,GOLD	1	1	1	1		
45014	45014-5013	SHOCKABSORBER	1	1	1	1		
46102	46102-1411	ROD,SHOCKABSORBER	1	1	1	1		
92002	92002-1955	BOLT,DRAIN	1	1	1	1		
92015	92015-1679	NUT,SPRING ADJUST	1	1	1	1		
92015A	92015-1713	NUT,SPRING ADJUST LOCK	1	1	1	1		
92033	92033-1091	RING-SNAP,REARSHOCK	1	1	1	1		
92033A	92033-1211	RING-SNAP,SHOCKABSORBER	1	1	1	1		
92055	92055-1334	RING-O,ROD	1	1	1	1		
92055A	92055-1383	RING-O	1	1	1	1		
92144	92144-1570-8V (OPTION)	SPRING,SHOCKABSORBER,K=4.6,SIL	1	1	1	1		
92144A	92144-1571-8V (OPTION)	SPRING,SHOCK,K=49.0N/MM,SIL	1	1	1	1		
92144B	92144-1945-8V	SPRING,SHOCK,K=47.0N/MM,SIL	1	1	1	1		
92145	92145-1371-8V (OPTION)	SPRING,SHOCK,K=43.1N/MM,SIL	1	1	1	1		

This catalog covers:

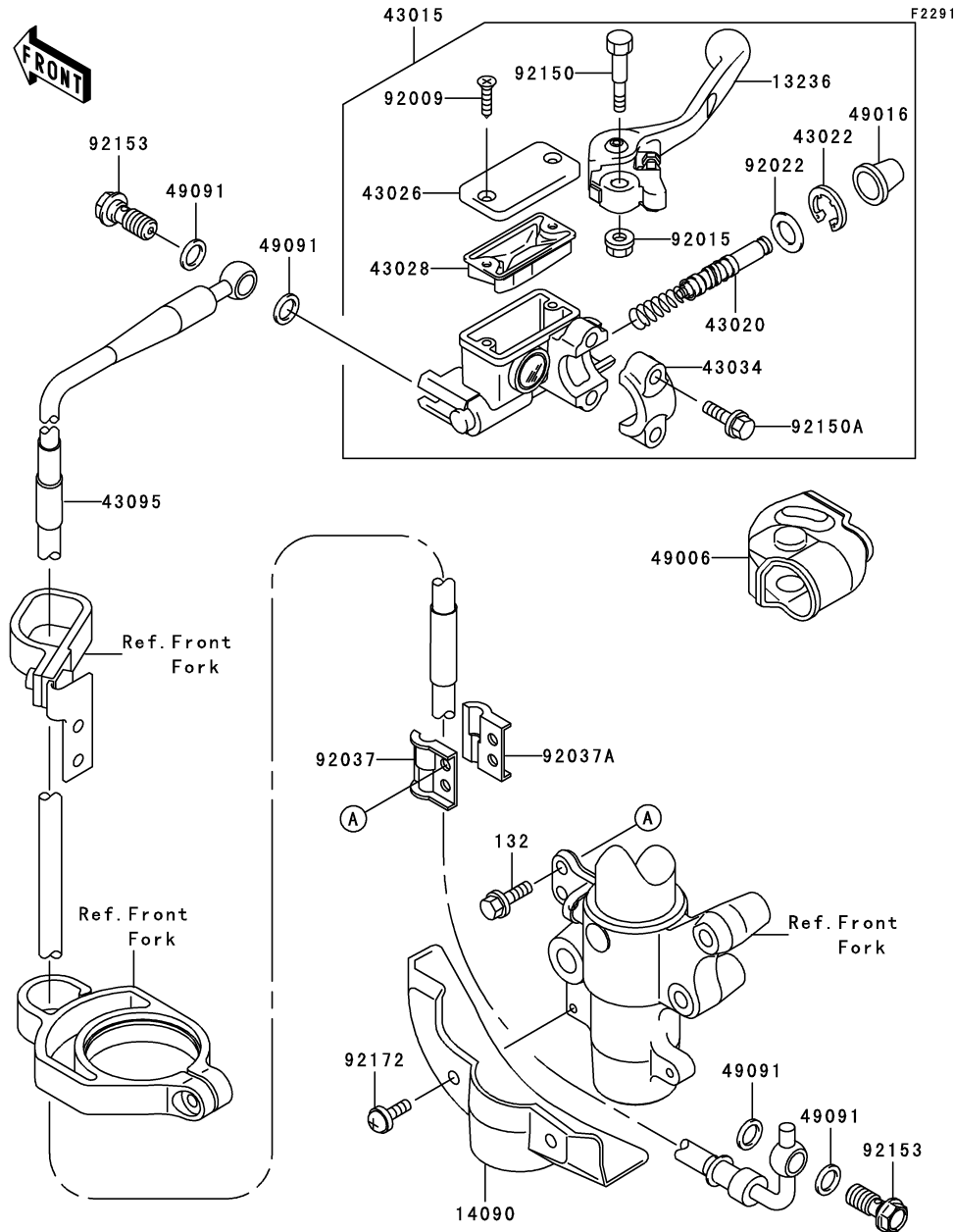
'06~'07 KX85 A6F/A7F/B6F/B7F Chassis

GRID NO.

**E-4**

This grid covers:

**Front Master Cylinder**



Ref. No.	Part No.	Description	Spec Code	Quantity-KX85				
				'06	'07	'06	'07	
				A6F	A7F	B6F	B7F	
13236	13236-0070	LEVER-COMP,FRONT BRAKE	1	1	1	1		
14090	14090-1860-RZ	COVER,BRAKE HOSE,WHITE	1	1	1	1		
43015	43015-0041	CYLINDER-ASSY-MASTER,FR	1	1	1	1		
43020	43020-1123	PISTON-COMP-BRAKE	1	1	1	1		
43022	43022-1010	STOPPER-BRAKE,PISTON	1	1	1	1		
43026	43026-1075	CAP-BRAKE	1	1	1	1		
43028	43028-1067	DIAPHRAGM	1	1	1	1		
43034	43034-1110	HOLDER-BRAKE	1	1	1	1		
43095	43095-1091	HOSE-BRAKE,FR	1	1	1	1		
49006	49006-1344	BOOT,FRONT BRAKE LEVER	1	1	1	1		
49016	49016-1044	COVER-SEAL,MASTER CYLINDER	1	1	1	1		
49091	49091-0001	WASHER-SEAL,10.1X14.5X1.5	4	4	4	4		
92009	92009-1458	SCREW,4MM	2	2	2	2		
92015	92015-1528	NUT,FLANGED,6MM	1	1	1	1		
92022	92022-1814	WASHER	1	1	1	1		
92037	92037-1362	CLAMP,BRAKE HOSE,OUTSIDE	1	1	1	1		
92037A	92037-1363	CLAMP,BRAKE HOSE,INSIDE	1	1	1	1		
92150	92150-1451	BOLT,LEVER SET	1	1	1	1		
92150A	92150-1452	BOLT	2	2	2	2		
92153	92153-0627	BOLT,OIL,L=23	2	2	2	2		
92172	92172-0107	SCREW,6X14	2	2	2	2		
132	132L0616	BOLT-FLANGED-SMALL,6X16	2	2	2	2		

This catalog covers:

'06~'07 KX85 A6F/A7F/B6F/B7F Chassis

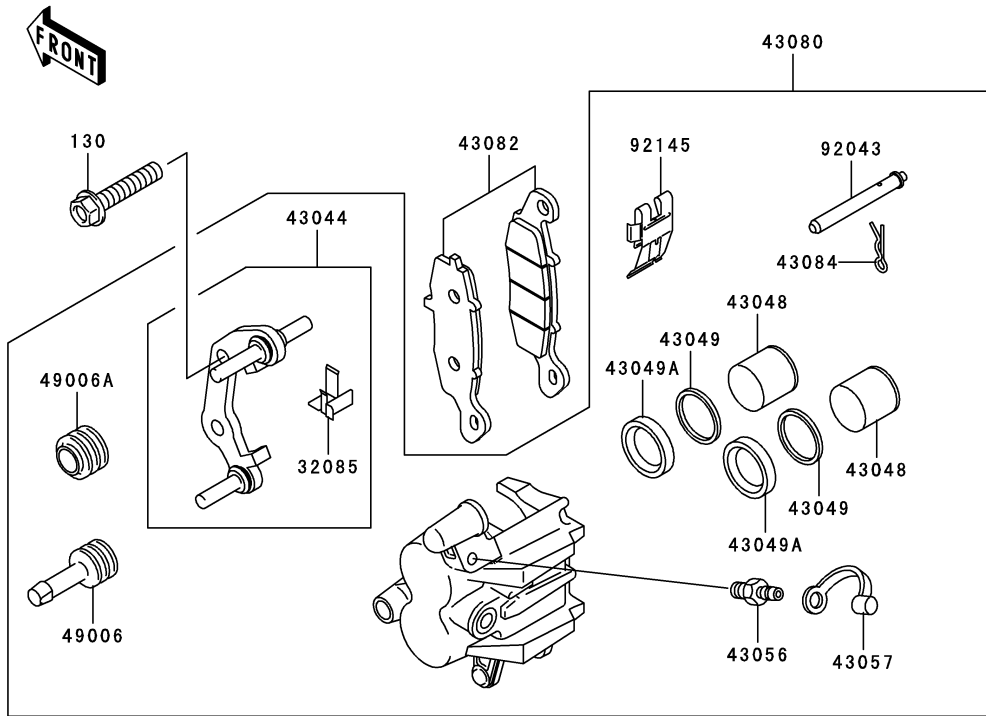
GRID NO.

**E-5**

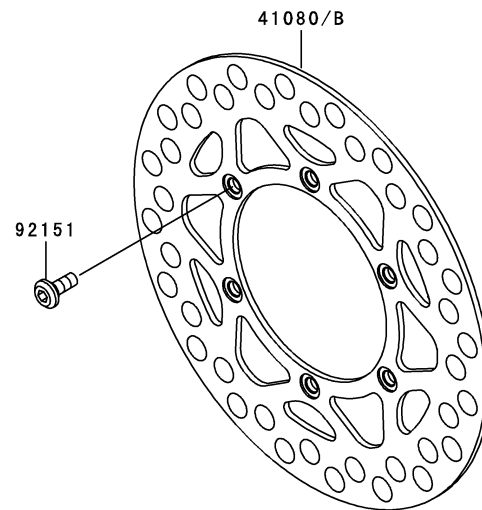
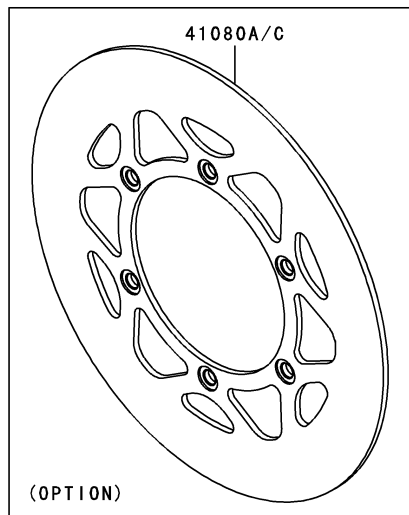
This grid covers:

**Front Brake**

F2292



Ref. No.	Part No.	Description	Spec Code	Quantity-KX85				
				'06	'07	'06	'07	
				A6F	A7F	B6F	B7F	
32085	32085-1437	STOPPER	1	1	1	1		
41080	41080-0111	DISC,FR		1		1		
41080A	41080-0112	DISC,FR (OPTION)			1		1	
41080B	41080-1490	DISC,FR	1			1		
41080C	41080-1491	DISC,FR (OPTION)	1			1		
43044	43044-1119	HOLDER-COMP-CALIPER,FR	1	1	1	1		
43048	43048-1083	PISTON-CALIPER	2	2	2	2		
43049	43049-1059	PACKING,PISTON	2	2	2	2		
43049A	43049-1090	PACKING,PISTON SEAL	2	2	2	2		
43056	43056-1054	BREATHER-BRAKE	1	1	1	1		
43057	43057-003	CAP-BREATHER	1	1	1	1		
43080	43080-0008	CALIPER-SUB-ASSY,FR,LH	1	1	1	1		
43082	43082-1196	PAD-ASSY-BRAKE	1	1	1	1		
43084	43084-003	CLAMP,PAD	1	1	1	1		
49006	49006-1054	BOOT,CALIPER	1	1	1	1		
49006A	49006-1055	BOOT,CALIPER	1	1	1	1		
92043	92043-1356	PIN,PAD	1	1	1	1		
92145	92145-1260	SPRING,PAD	1	1	1	1		
92151	92151-1799	BOLT,DISC PLATE,6MM	6	6	6	6		
130	130P0840	BOLT-FLANGED,8X40	2	2	2	2		



This catalog covers:

'06~'07 KX85 A6F/A7F/B6F/B7F Chassis

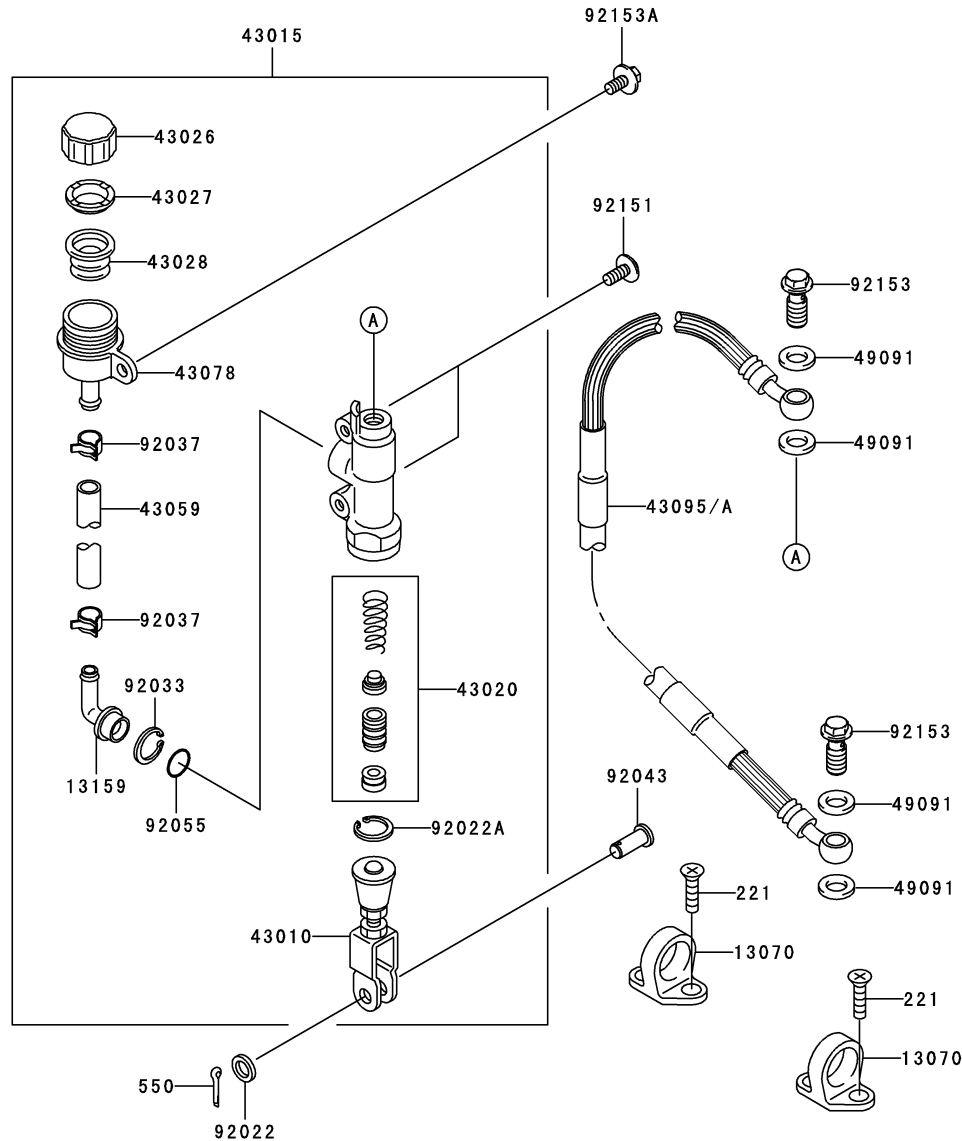
GRID NO.

**E-6**

This grid covers:

**Rear Master Cylinder**

F2293



Ref. No.	Part No.	Description	Spec Code	Quantity-KX85				
				'06	'07	'06	'07	
				A6F	A7F	B6F	B7F	
13070	13070-1144	GUIDE,HOSE	2	2	2	2		
13159	13159-1056	CONNECTOR	1	1	1	1		
43010	43010-1079	ROD-ASSY-BRAKE	1	1	1	1		
43015	43015-1606	CYLINDER-ASSY-MASTER,RR	1	1	1	1		
43020	43020-1094	PISTON-COMP-BRAKE	1	1	1	1		
43026	43026-1058	CAP-BRAKE	1	1	1	1		
43027	43027-1052	PLATE-DIAPHRAGM	1	1	1	1		
43028	43028-1060	DIAPHRAGM	1	1	1	1		
43059	43059-1670	HOSE-BRAKE,RR MASTER CYLINDER	1	1	1	1		
43078	43078-1068	RESERVOIR	1	1	1	1		
43095	43095-1233	HOSE-BRAKE,RR,L=542	1	1				
43095A	43095-1234	HOSE-BRAKE,RR,L=567			1	1		
49091	49091-0001	WASHER-SEAL,10.1X14.5X1.5	4	4	4	4		
92022	92022-1028	WASHER,8.5X13X1	1	1	1	1		
92022A	92022-1601	WASHER,CIRCRIP	1	1	1	1		
92033	92033-1186	RING-SNAP,20.5MM	1	1	1	1		
92037	92037-1710	CLAMP	2	2	2	2		
92043	92043-0004	PIN	1	1	1	1		
92055	92055-1251	RING-O,MASTER CYLINDER	1	1	1	1		
92151	92151-1654	BOLT,SOCKET,6X14	2	2	2	2		
92153	92153-0627	BOLT,OIL,L=23	2	2	2	2		
92153A	92153-0936	BOLT,FLANGED,6X14	1	1	1	1		
221	221B0510	SCREW-CSK-CROS,5X10	4	4	4	4		
550	550D2015	PIN-COTTER,2.0X15	1	1	1	1		



This catalog covers:

'06~'07 KX85 A6F/A7F/B6F/B7F Chassis

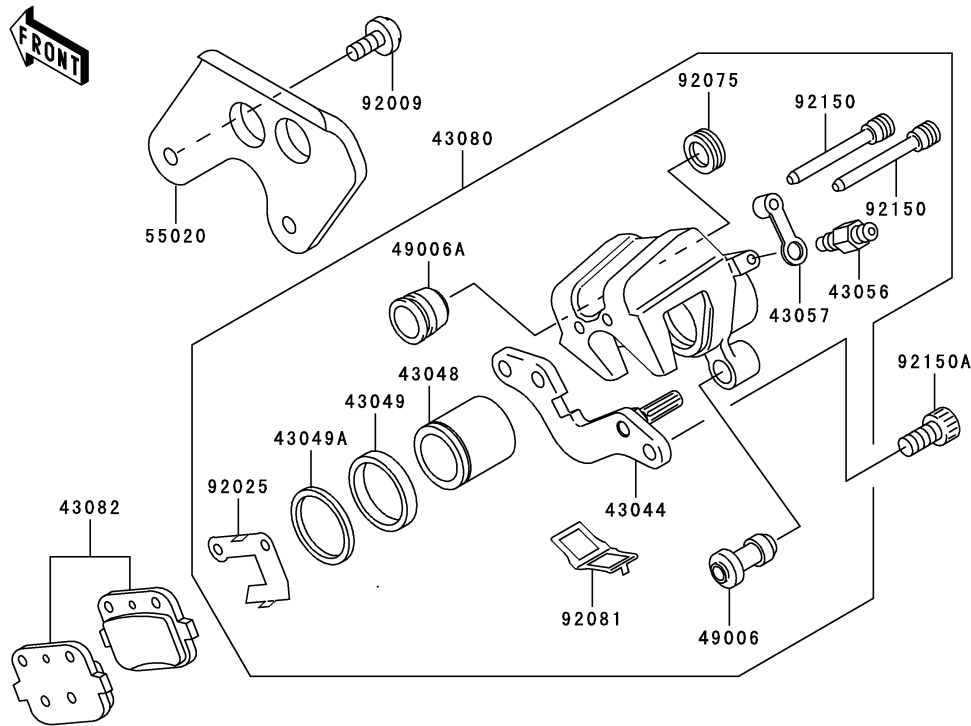
GRID NO.

**E-7**

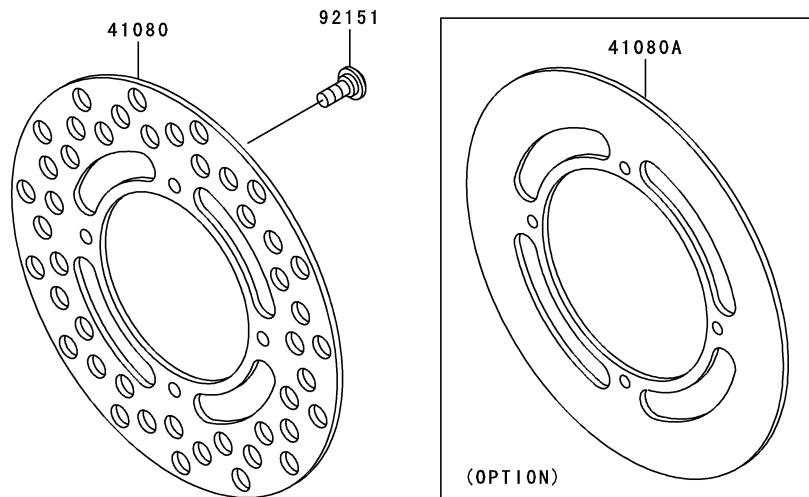
This grid covers:

**Rear Brake**

F2294



Ref. No.	Part No.	Description	Spec Code	Quantity-KX85			
				'06	'07	'06	'07
				A6F	A7F	B6F	B7F
41080	41080-1492	DISC,RR	1	1	1	1	
41080A	41080-1493	DISC,RR	1	1	1	1	
	(OPTION)						
43044	43044-1076	HOLDER-COMP-CALIPER,RR	1	1	1	1	
43048	43048-1064	PISTON-CALIPER	1	1	1	1	
43049	43049-1060	PACKING,PISTON SEAL	1	1	1	1	
43049A	43049-1061	PACKING,PISTON SEAL	1	1	1	1	
43056	43056-1055	BREATHER	1	1	1	1	
43057	43057-1001	CAP-BREATHER	1	1	1	1	
43080	43080-5134	CALIPER-SUB-ASSY,RR	1	1	1	1	
43082	43082-1205	PAD-ASSY-BRAKE	1	1	1	1	
49006	49006-1088	BOOT,CALIPER	1	1	1	1	
49006A	49006-1089	BOOT,CALIPER	1	1	1	1	
55020	55020-1247-RZ	GUARD,CALIPER,WHITE	1	1	1	1	
92009	92009-1286	SCREW,6X10,WHITE	2	2	2	2	
92025	92025-1817	SHIM,PAD	1	1	1	1	
92075	92075-1414	DAMPER	1	1	1	1	
92081	92081-1502	SPRING,PAD	1	1	1	1	
92150	92150-1144	BOLT	2	2	2	2	
92150A	92150-1840	BOLT,SOCKET,8X16	2	2	2	2	
92151	92151-1799	BOLT,DISC PLATE,6MM	4	4	4	4	



This catalog covers:

'06~'07 KX85 A6F/A7F/B6F/B7F Chassis

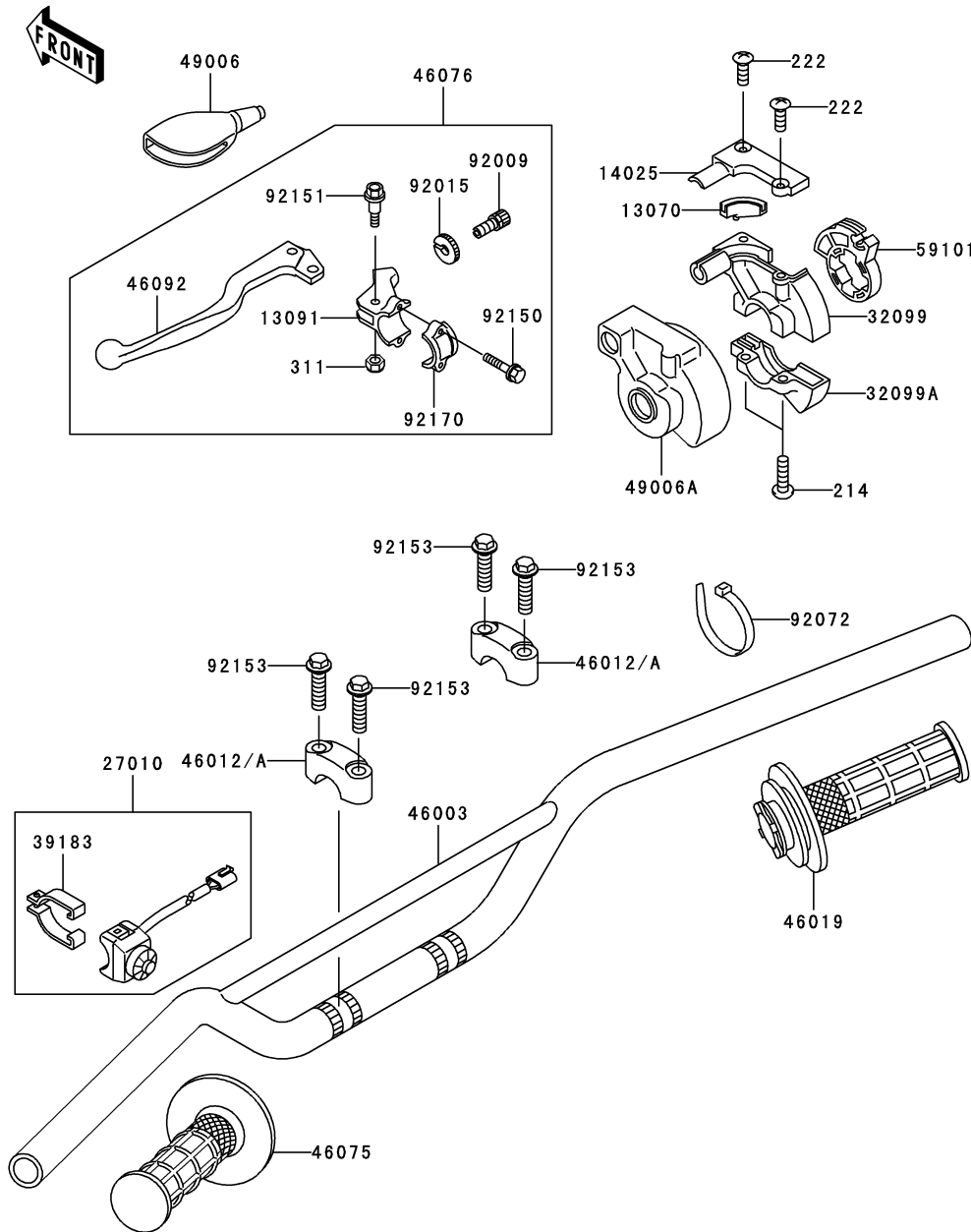
GRID NO.

**E-8**

This grid covers:

**Handlebar**

F2310



Ref. No.	Part No.	Description	Spec Code	Quantity-KX85				
				'06	'07	'06	'07	
				A6F	A7F	B6F	B7F	
13070	13070-1074	GUIDE,THROTTLE	1	1	1	1		
13091	13091-1728	HOLDER,CLUTCH LEVER	1	1	1	1		
14025	14025-1646	COVER,THROTTLE CASE UPP	1	1	1	1		
27010	27010-0035	SWITCH,ENGINE STOP	1	1	1	1		
32099	32099-1036	CASE,THROTTLE UPP	1	1	1	1		
32099A	32099-1044	CASE,THROTTLE LWR	1	1	1	1		
39183	39183-1059	BAND-ASSY,ENGINE STOP SWITCH	1	1	1	1		
46003	46003-0027-458	HANDLE,P,SILVER	1	1	1	1		
46012	46012-0011-D3	HOLDER-HANDLE,UPP,M.M.GOLD	2		2			
46012A	46012-0011-10Y	HOLDER-HANDLE,UPP,M.M.GOLD		2		2		
46019	46019-1054	GRIP-ASSY,THROTTLE	1	1	1	1		
46075	46075-1024	GRIP,LH	1	1	1	1		
46076	46076-1203	LEVER-ASSY-GRIP,CLUTCH	1	1	1	1		
46092	46092-1165	LEVER-GRIP,CLUTCH	1	1	1	1		
49006	49006-1017	BOOT,LEVER HOLDER	1	1	1	1		
49006A	49006-1097	BOOT,THROTTLE CASE	1	1	1	1		
59101	59101-1110	REEL,THROTTLE	1	1	1	1		
92009	92009-1476	SCREW,CABLE ADJUST,8MM	1	1	1	1		
92015	92015-1596	NUT,CABLE ADJUST LOCK,8MM	1	1	1	1		
92072	92072-0055	BAND,L=100	1	1	1	1		
92150	92150-1474	BOLT	2	2	2	2		
92151	92151-1103	BOLT,LEVER SET,5MM	1	1	1	1		
92153	92153-1362	BOLT,FLANGED,8X30	4	4	4	4		
92170	92170-1226	CLAMP,LEVER HOLDER	1	1	1	1		
214	214C0518	SCREW-PAN+-.5X18	2	2	2	2		
222	222E0412	SCREW-CSK-RD-CROS,4X12	2	2	2	2		
311	311B0500	NUT-HEX	1	1	1	1		

This catalog covers:

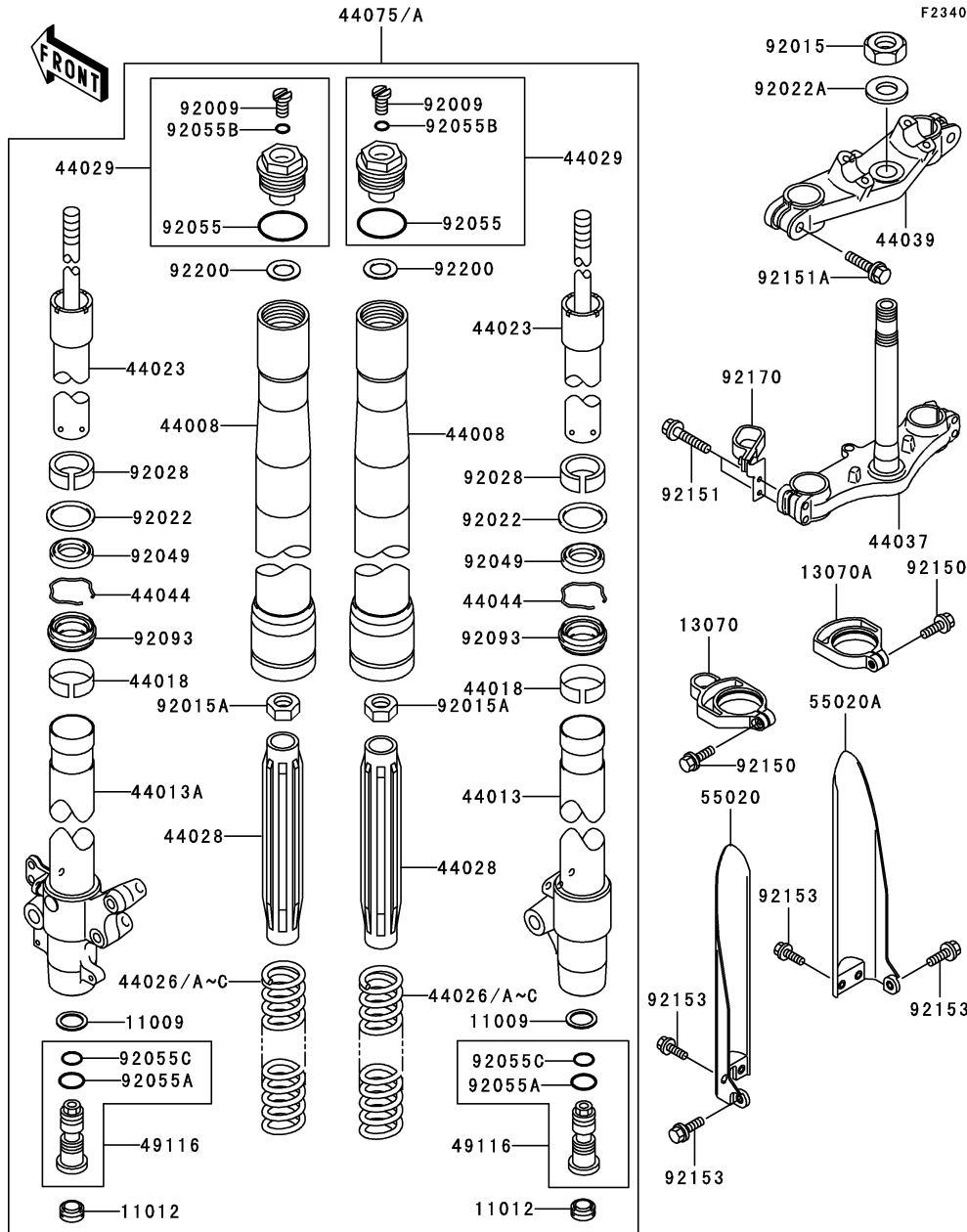
'06~'07 KX85 A6F/A7F/B6F/B7F Chassis

GRID NO.

**E-9**

This grid covers:

Front Fork(1/2)(A6F/B6F)



Ref. No.	Part No.	Description	Spec Code	Quantity-KX85				
				'06	'07	'06	'07	
				A6F	A7F	B6F	B7F	
11009	11009-1592	GASKET,FORK CYLINDER BOLT			2		2	
11012	11012-1692	CAP			2		2	
13070	13070-0049-RZ	GUIDE,PROTECTOR,LH,WHITE			1		1	
13070A	13070-0050-RZ	GUIDE,PROTECTOR,RH,WHITE			1		1	
44008	44008-1041-828	PIPE-FORK OUTER,GOLD			2		2	
44013	44013-1442	PIPE-FORK INNER,RH			1		1	
44013A	44013-1484	PIPE-FORK INNER,LH			1		1	
44018	44018-1058	PISTON-FORK			2		2	
44023	44023-1119	CYLINDER-SET-FORK			2		2	
44026	44026-1633	SPRING-FRONT FORK,K=2.75N/MM			2		2	
	(OPTION)							
44026A	44026-1634	SPRING-FRONT FORK,K=2.84N/MM			2		2	
44026B	44026-1635	SPRING-FRONT FORK,K=2.94N/MM			2		2	
	(OPTION)							
44026C	44026-1671	SPRING-FRONT FORK,K=2.65N/MM			2		2	
	(OPTION)							
44028	44028-1090	GUIDE-FORK SPRING			2		2	
44029	44029-1152	SEAT-FORK SPRING			2		2	
44037	44037-0032-D3	HOLDER-FORK UNDER,M.M.GOLD			1		1	
44039	44039-0023-D3	HOLDER-FORK UPPER,M.M.GOLD			1		1	
44044	44044-015	RING-SNAP			2		2	
44075	44075-1130-828	DAMPER-SET-FORK,GOLD			1			1
44075A	44075-1131-828	DAMPER-SET-FORK,GOLD						1
49116	49116-1153	VALVE-ASSY,FORK			2		2	
55020	55020-1611-RZ	GUARD,FORK,LH,WHITE			1		1	
55020A	55020-1612-RZ	GUARD,FORK,RH,WHITE			1		1	
92009	92009-1568	SCREW			2		2	
92015	92015-1653	NUT,STEERING STEM,22MM			1		1	
92015A	92015-1839	NUT			2		2	
92022	92022-1275	WASHER,FRONT FORK			2		2	
92022A	92022-1873	WASHER,STEERING STEM			1		1	
92028	92028-1656	BUSHING			2		2	
92049	92049-1394	SEAL-OIL,FORK OUTER TUBE			2		2	
92055	92055-1123	RING-O			2		2	
92055A	92055-1156	RING-O			2		2	
92055B	92055-1441	RING-O,2.8X6.6X1.9			2		2	

This catalog covers:

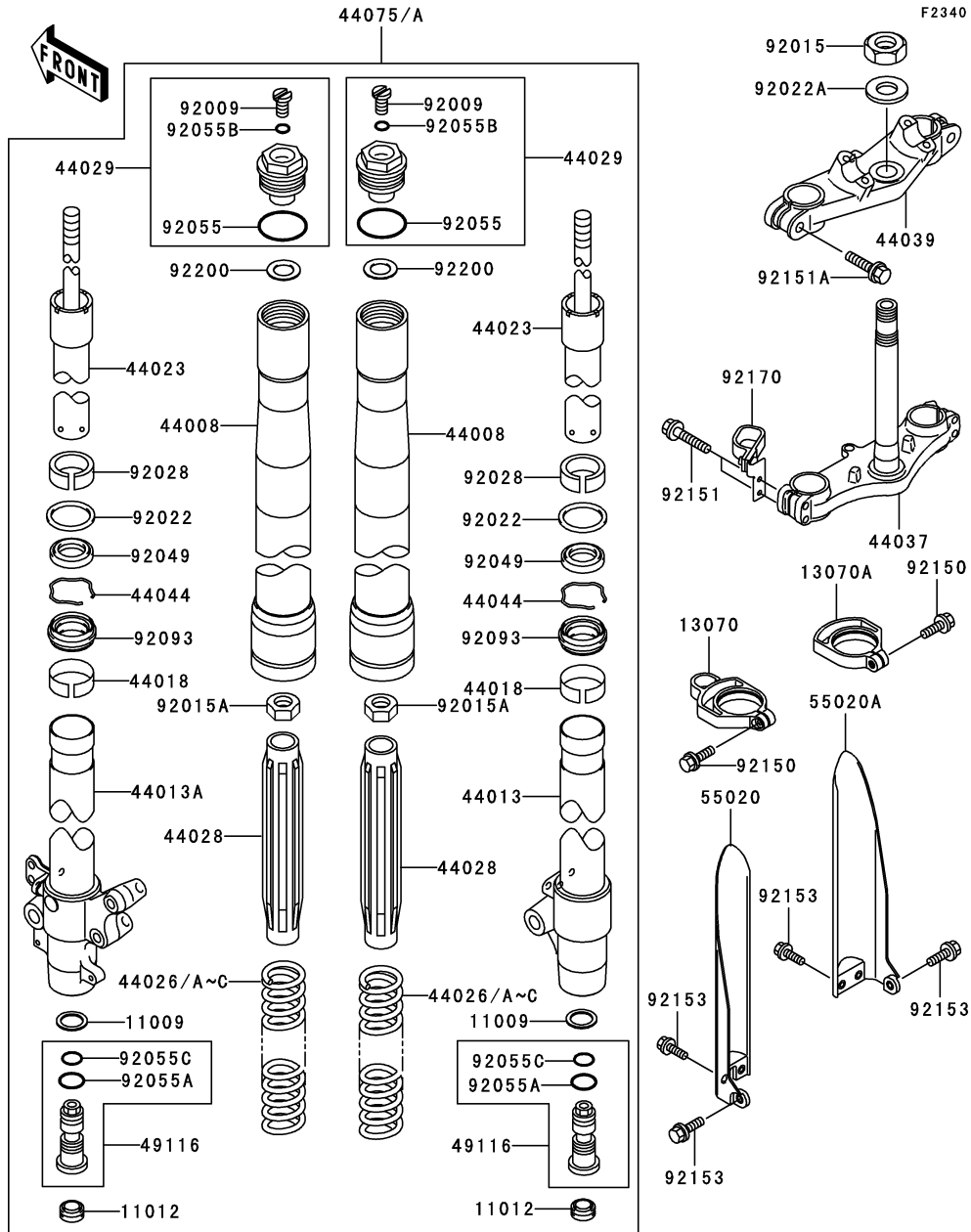
'06~'07 KX85 A6F/A7F/B6F/B7F Chassis

GRID NO.

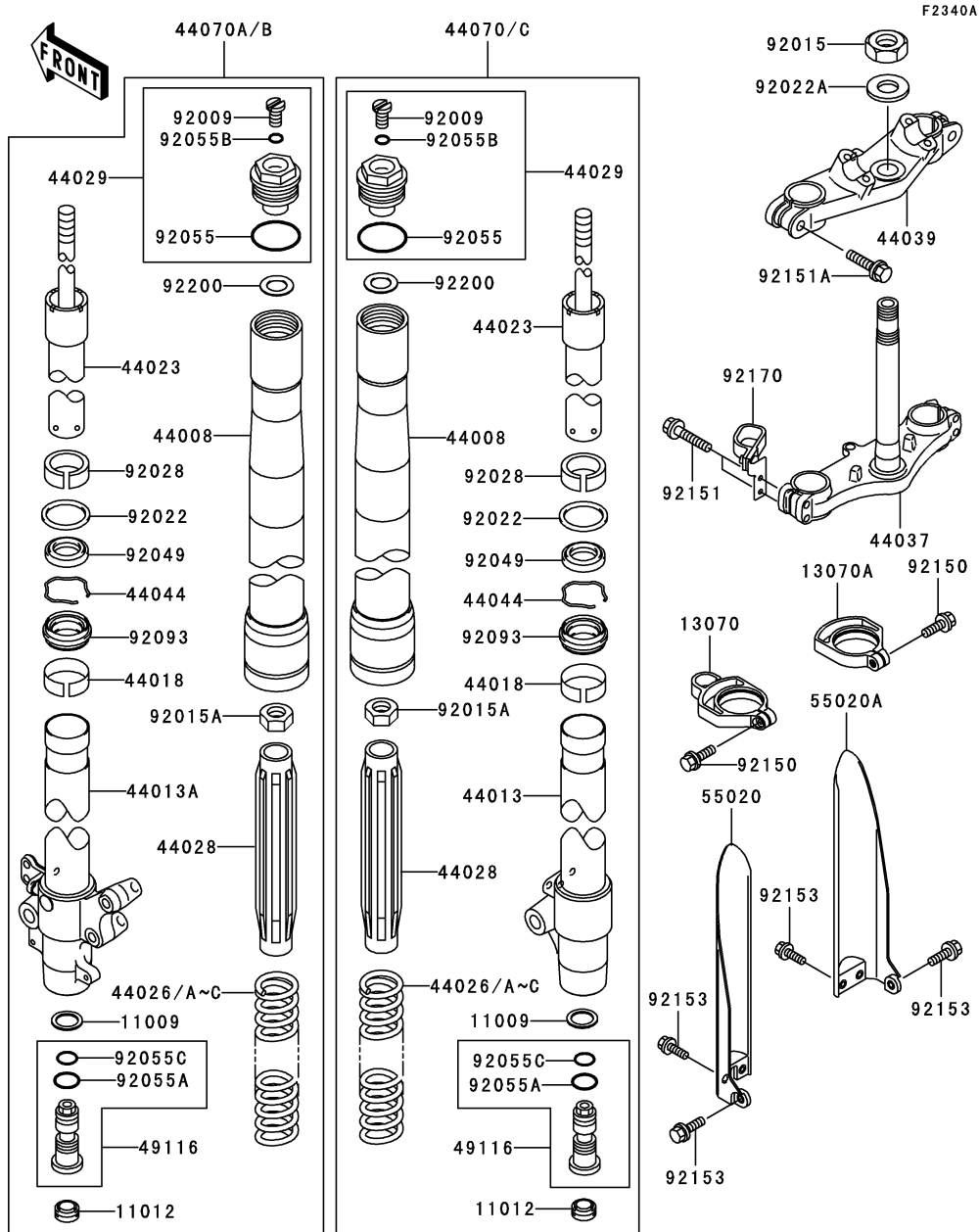
**E-10**

This grid covers:

Front Fork(2/2)(A6F/B6F)



Ref. No.	Part No.	Description	Spec Code	Quantity-KX85			
				'06	'07	'06	'07
				A6F	A7F	B6F	B7F
92055C	92055-1502	RING-O,FORK VALVE			2	2	
92093	92093-1426	SEAL,FORK OUTER TUBE			2	2	
92150	92150-1802	BOLT,5X16			2	2	
92151	92151-1877	BOLT,FLANGED,8X40			4	4	
92151A	92151-1878	BOLT,FLANGED,8X35			2	2	
92153	92153-0936	BOLT,FLANGED,6X14			6	6	
92170	92170-1810	CLAMP			1	1	
92200	92200-1655	WASHER			2	2	



Ref. No.	Part No.	Description	Spec Code	Quantity-KX85				
				'06	'07	'06	'07	
				A6F	A7F	B6F	B7F	
11009	11009-1592	GASKET,FORK CYLINDER BOLT			2		2	
11012	11012-1692	CAP			2		2	
13070	13070-0049-RZ	GUIDE,PROTECTOR,LH,WHITE			1		1	
13070A	13070-0050-RZ	GUIDE,PROTECTOR,RH,WHITE			1		1	
44008	44008-1041-828	PIPE-FORK OUTER,GOLD			2		2	
44013	44013-1442	PIPE-FORK INNER,RH			1		1	
44013A	44013-1484	PIPE-FORK INNER,LH			1		1	
44018	44018-1058	PISTON-FORK			2		2	
44023	44023-1119	CYLINDER-SET-FORK			2		2	
44026	44026-1633	SPRING-FRONT FORK,K=2.75N/MM			2		2	
	(OPTION)							
44026A	44026-1634	SPRING-FRONT FORK,K=2.84N/MM			2		2	
44026B	44026-1635	SPRING-FRONT FORK,K=2.94N/MM			2		2	
	(OPTION)							
44026C	44026-1671	SPRING-FRONT FORK,K=2.65N/MM			2		2	
	(OPTION)							
44028	44028-1090	GUIDE-FORK SPRING			2		2	
44029	44029-1152	SEAT-FORK SPRING			2		2	
44037	44037-0032-10Y	HOLDER-FORK UNDER,M.M.GOLD			1		1	
44039	44039-0023-10Y	HOLDER-FORK UPPER,M.M.GOLD			1		1	
44044	44044-015	RING-SNAP			2		2	
44070	44070-1631-828	DAMPER-ASSY,FORK,RH,GOLD					1	
44070A	44070-1848-828	DAMPER-ASSY,FORK,LH,GOLD			1			
44070B	44070-1849-828	DAMPER-ASSY,FORK,LH,GOLD						1
44070C	44070-1894-828	DAMPER-ASSY,FORK,RH,GOLD			1			
49116	49116-1153	VALVE-ASSY,FORK			2		2	
55020	55020-1611-RZ	GUARD,FORK,LH,WHITE			1		1	
55020A	55020-1612-RZ	GUARD,FORK,RH,WHITE			1		1	
92009	92009-1568	SCREW			2		2	
92015	92015-1653	NUT,STEERING STEM,22MM			1		1	
92015A	92015-1839	NUT			2		2	
92022	92022-1275	WASHER,FRONT FORK			2		2	
92022A	92022-1873	WASHER,STEERING STEM			1		1	
92028	92028-1656	BUSHING			2		2	
92049	92049-1394	SEAL-OIL,FORK OUTER TUBE			2		2	
92055	92055-1123	RING-O			2		2	
92055A	92055-1156	RING-O			2		2	
92055B	92055-1441	RING-O,2.8X6.6X1.9			2		2	

This catalog covers:

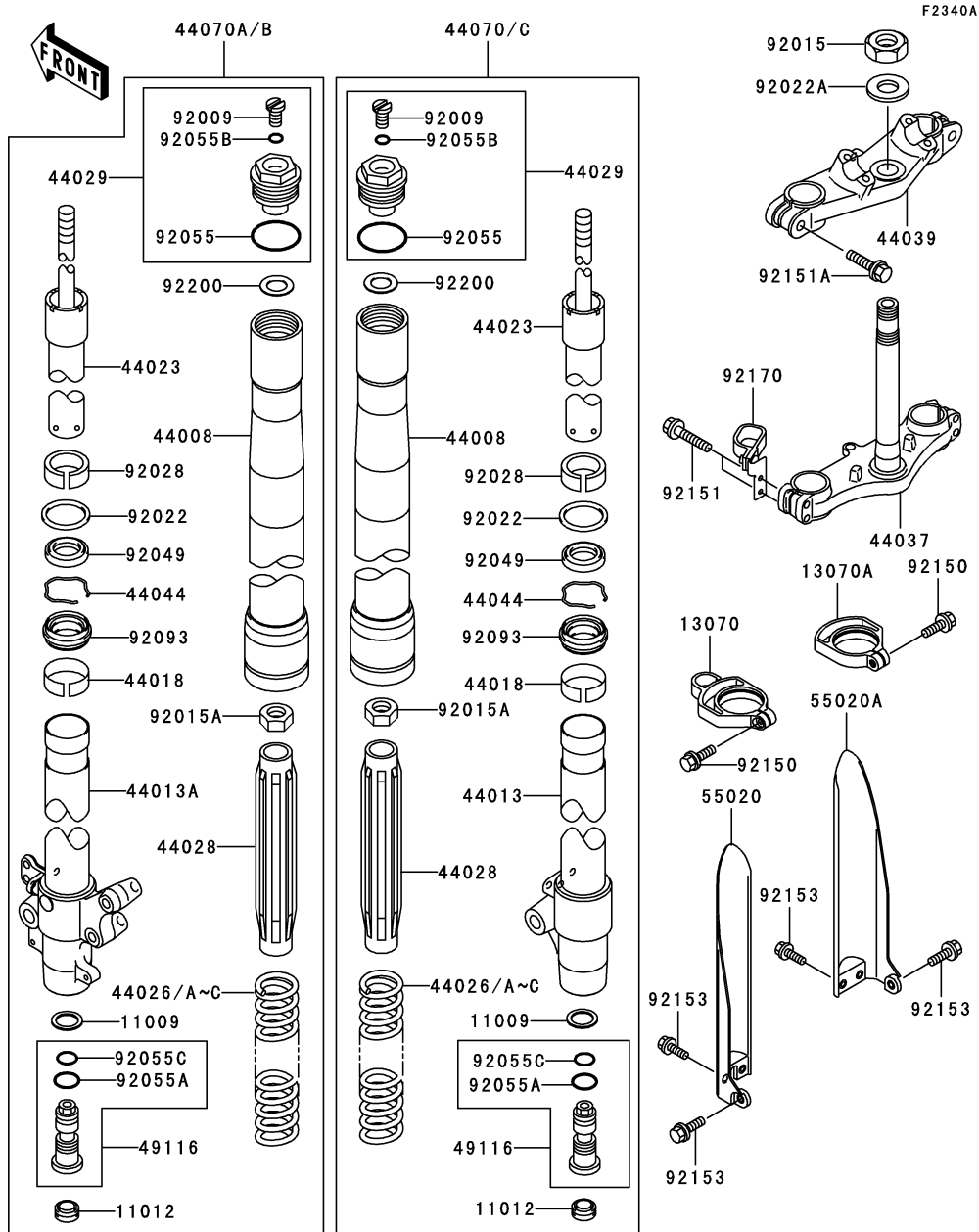
'06~'07 KX85 A6F/A7F/B6F/B7F Chassis

GRID NO.

**E-12**

This grid covers:

**Front Fork(2/2)(A7F/B7F)**



Ref. No.	Part No.	Description	Quantity-KX85			
			'06	'07	'06	'07
			A6F	A7F	B6F	B7F
92055C	92055-1502	RING-O,FORK VALVE			2	2
92093	92093-1426	SEAL,FORK OUTER TUBE			2	2
92150	92150-1802	BOLT,5X16			2	2
92151	92151-1877	BOLT,FLANGED,8X40			4	4
92151A	92151-1878	BOLT,FLANGED,8X35			2	2
92153	92153-0936	BOLT,FLANGED,6X14			6	6
92170	92170-1810	CLAMP			1	1
92200	92200-1655	WASHER			2	2

This catalog covers:

'06~'07 KX85 A6F/A7F/B6F/B7F Chassis

GRID NO.

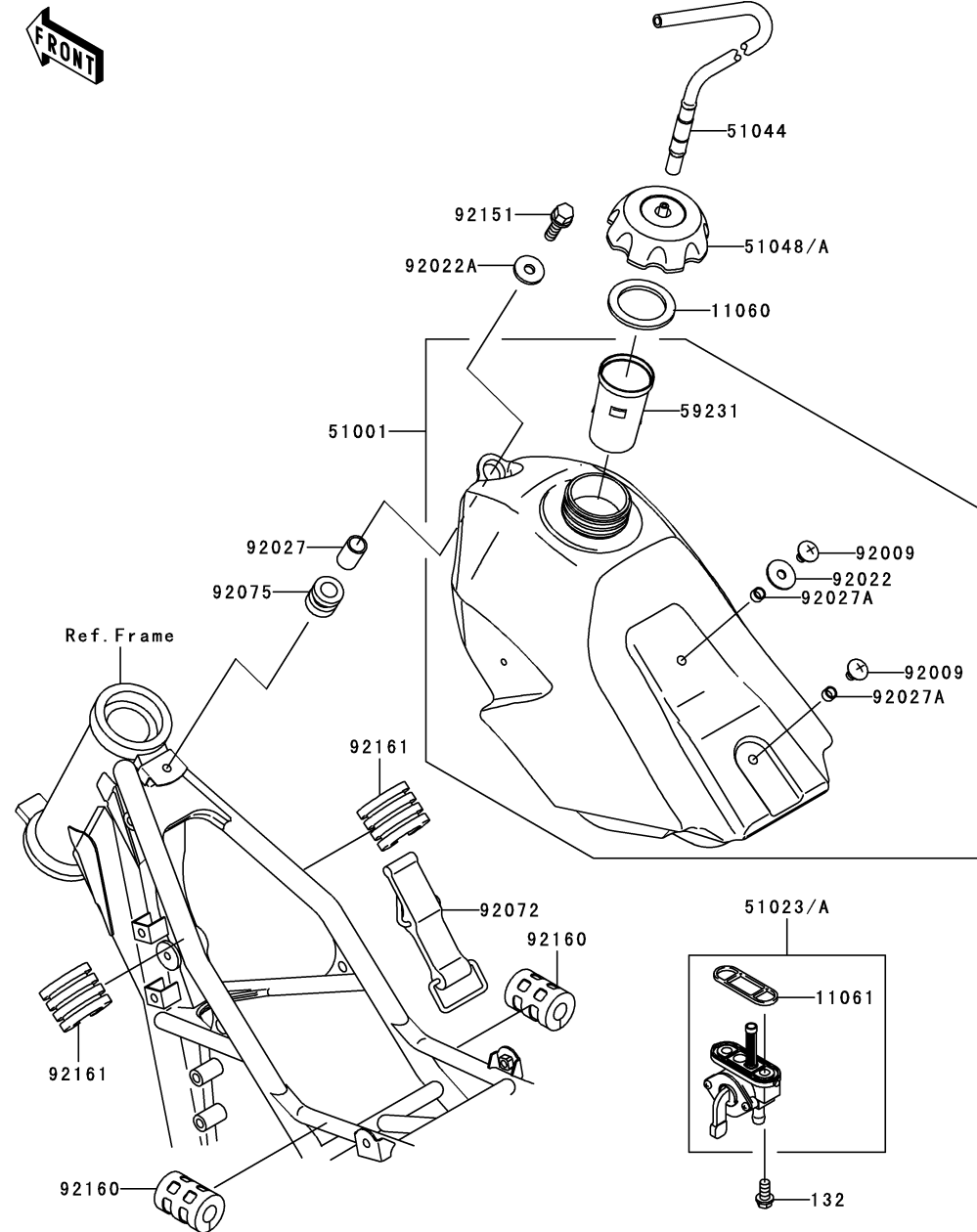
**E-13**

This grid covers:

**Fuel Tank**

F2410

Ref. No.	Part No.	Description	Spec Code	Quantity-KX85				
				'06	'07	'06	'07	
				A6F	A7F	B6F	B7F	
11060	11060-1340	GASKET,FUEL TANK CAP	1	1	1	1		
11061	11061-0181	GASKET,FUEL TAP	1	1	1	1		
51001	51001-1677-6Z	TANK-COMP-FUEL,F.BLACK	1	1	1	1		
51023	51023-0021	TAP-ASSY,FUEL	1		1			
51023A	51023-0024	TAP-ASSY,FUEL		1		1		
51044	51044-0025	TUBE-ASSY	1	1	1	1		
51048	51048-0014	CAP-ASSY-TANK,FUEL		1		1		
51048A	51048-1124	CAP-ASSY-TANK,FUEL	1		1			
59231	59231-1096	FILLER	1	1	1	1		
92009	92009-1530	SCREW,6X10	2	2	2	2		
92022	92022-165	WASHER,PLAIN,6MM	1	1	1	1		
92022A	92022-1690	WASHER,6.5X24X2	1	1	1	1		
92027	92027-1966	COLLAR,6.8X10X14	1	1	1	1		
92027A	92027-2096	COLLAR,6.2X7.8X5	2	2	2	2		
92072	92072-1229	BAND,FUEL TANK	1	1	1	1		
92075	92075-1787	DAMPER	1	1	1	1		
92151	92151-1930	BOLT,FLANGED-SMALL,6X25	1	1	1	1		
92160	92160-1236	DAMPER,FUEL TANK	2	2	2	2		
92161	92161-1175	DAMPER,FUEL TANK	2	2	2	2		
132	132G0612	BOLT-FLANGED-SMALL,6X12	2	2	2	2		



This catalog covers:

'06~'07 KX85 A6F/A7F/B6F/B7F Chassis

GRID NO.

**E-14**

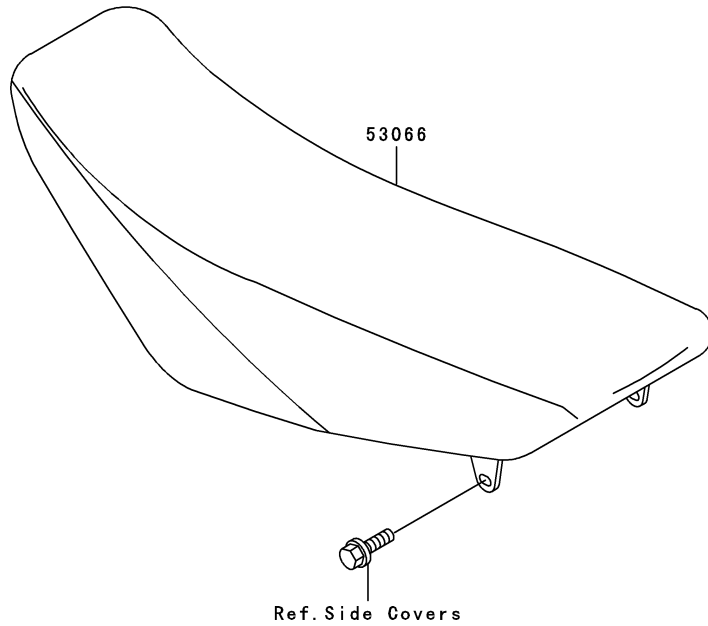
This grid covers:

**Seat**



F2510

Ref. No.	Part No.	Description	Spec Code	Quantity-KX85						
				'06	'07	'06	'07			
				A6F	A7F	B6F	B7F			
53066	53066-0093-336	SEAT-ASSY,GREEN/BLACK					1	1	1	1





This catalog covers:

'06~'07 KX85 A6F/A7F/B6F/B7F Chassis

GRID NO.

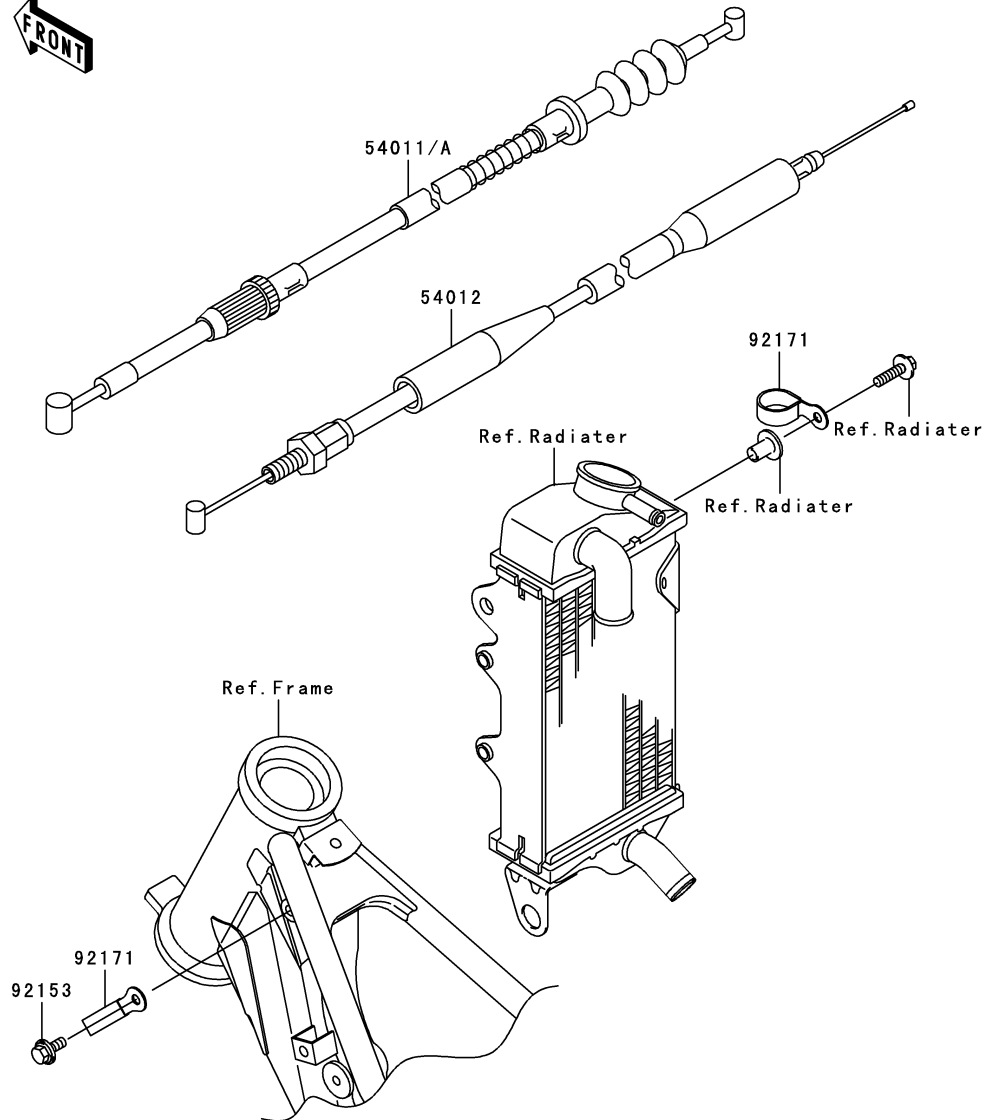
**F-3**

This grid covers:

**Cables**

F2540

Ref. No.	Part No.	Description	Spec Code	Quantity-KX85			
				'06	'07	'06	'07
				A6F	A7F	B6F	B7F
54011	54011-0052	CABLE-CLUTCH			1	1	
54011A	54011-1375	CABLE-CLUTCH		1	1		
54012	54012-0096	CABLE-THROTTLE		1	1	1	
92153	92153-0936	BOLT,FLANGED,6X14		1	1	1	
92171	92171-1279	CLAMP		2	2	2	



This catalog covers:

'06~'07 KX85 A6F/A7F/B6F/B7F Chassis

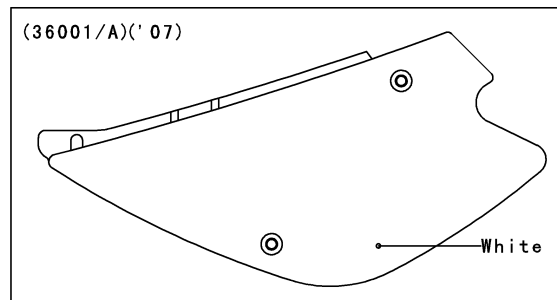
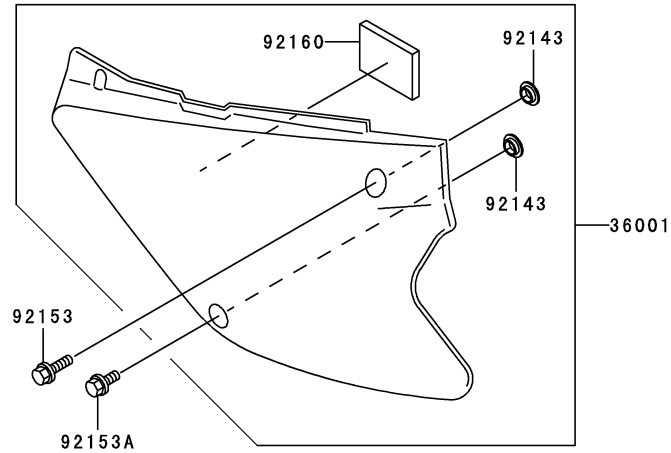
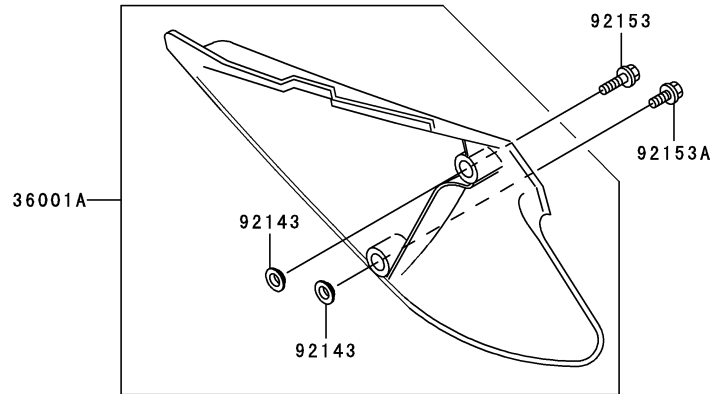
GRID NO.

**F-4**

This grid covers:

**Side Covers**

F2611



W0D

Ref. No.	Part No.	Description	Spec Code	Quantity-KX85				
				'06	'07	'06	'07	
				A6F	A7F	B6F	B7F	
36001	36001-1584-266	COVER-SIDE,LH,S.WHITE	1	1	1	1		
36001A	36001-1585-266	COVER-SIDE,RH,S.WHITE	1	1	1	1		
92143	92143-1196	COLLAR	4	4	4	4		
92153	92153-0502	BOLT,6X20	2	2	2	2		
92153A	92153-0936	BOLT,FLANGED,6X14	2	2	2	2		
92160	92160-1899	DAMPER	1	1	1	1		

This catalog covers:

'06~'07 KX85 A6F/A7F/B6F/B7F Chassis

GRID NO.

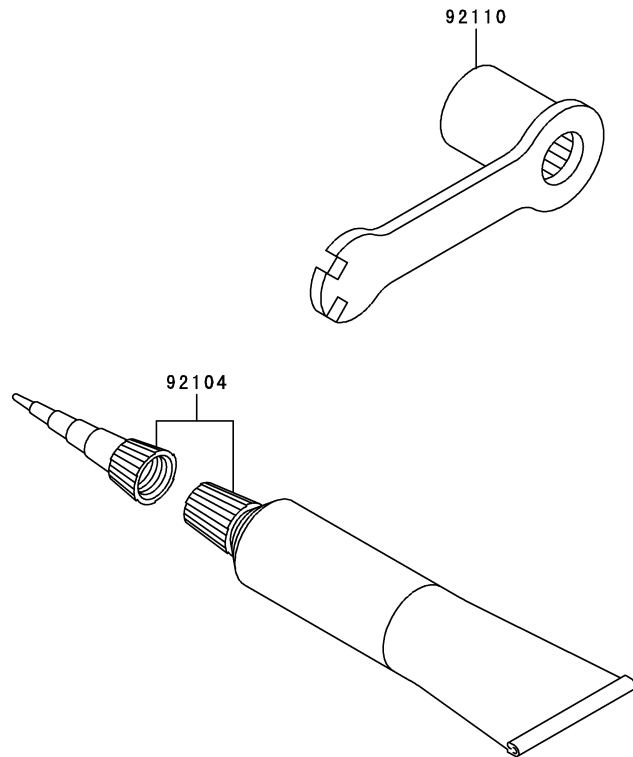
**F-5**

This grid covers:

**Owner's Tools**

F2810

Ref. No.	Part No.	Description	Spec Code	Quantity-KX85				
				'06	'07	'06	'07	
				A6F	A7F	B6F	B7F	
92104	92104-002	GASKET-LIQUID,TUBE,100G,SILVER		1	1	1	1	
92110	92110-1119	TOOL-WRENCH,BOX,21MM&SPOKE		1	1	1	1	



This catalog covers:

'06~'07 KX85 A6F/A7F/B6F/B7F Chassis

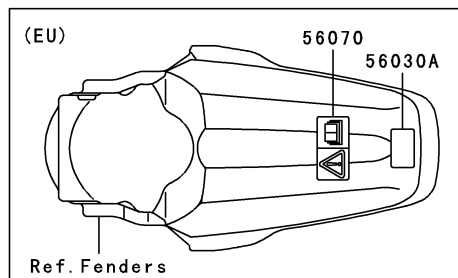
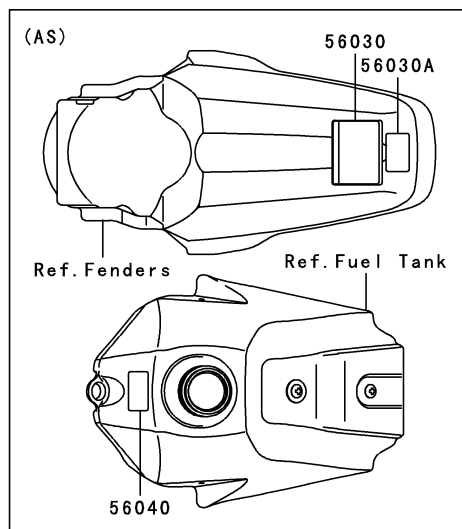
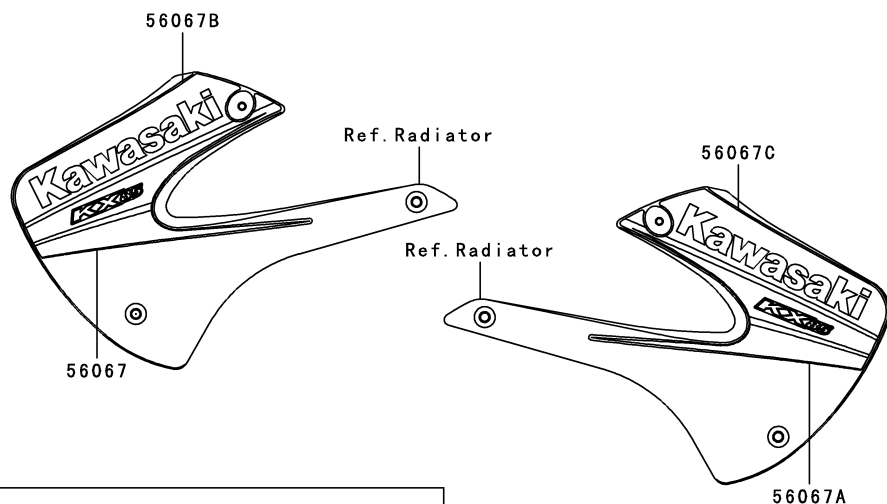
GRID NO.

**F-6**

This grid covers:

**Labels(A6F/B6F)**

F2860



Ref. No.	Part No.	Description	Spec Code	Quantity-KX85				
				'06	'07	'06	'07	
				A6F	A7F	B6F	B7F	
56030	56030-1228	LABEL,IMPORTANT NOTICE						
		L-----	AS	1			1	
56030A	56030-1230	LABEL,32:1						
56040	56040-1157	LABEL,UNLEADED PETROL ONLY						
		L-----	AS	1			1	
56067	56067-0136	PATTERN,SHROUD,LWR,LH						
56067A	56067-0137	PATTERN,SHROUD,LWR,RH						
				1			1	
56067B	56067-0138	PATTERN,SHROUD,UPP,LH						
56067C	56067-0139	PATTERN,SHROUD,UPP,RH						
				1			1	
56070	56070-3799	LABEL-WARNING,OWNER'S MANUAL						
		L-----	EU	1			1	

This catalog covers:

'06~'07 KX85 A6F/A7F/B6F/B7F Chassis

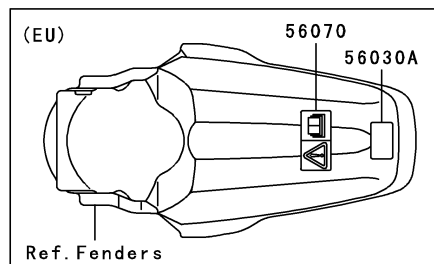
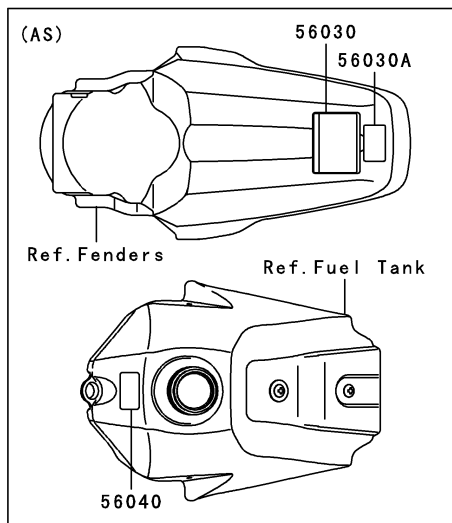
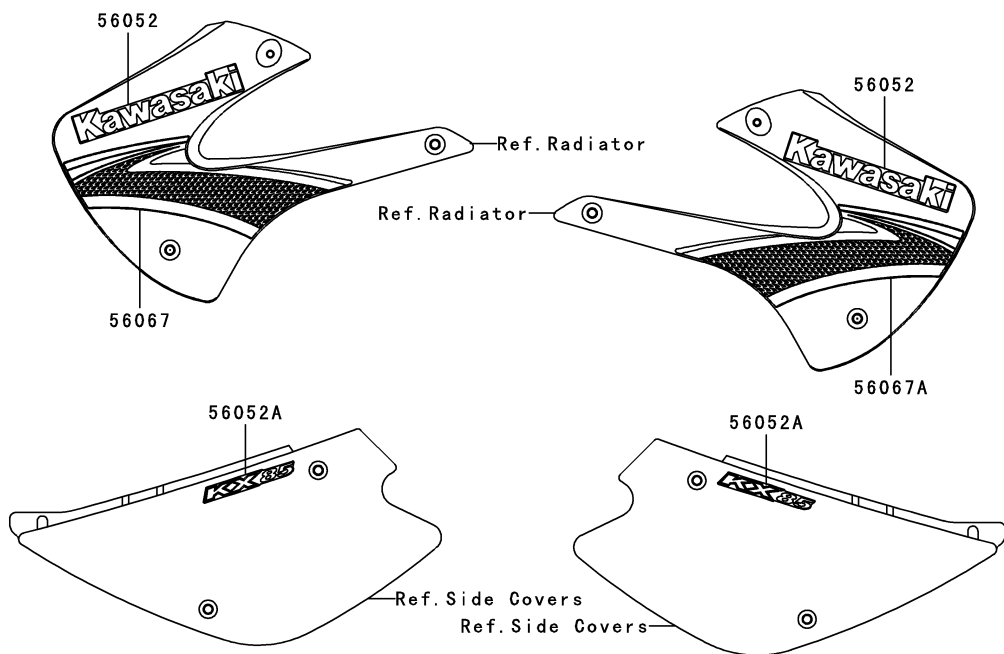
GRID NO.

**F-7**

This grid covers:

Labels(A7F/B7F)

F2860A



Ref. No.	Part No.	Description	Spec Code	Quantity-KX85				
				'06	'07	'06	'07	
				A6F	A7F	B6F	B7F	
56030	56030-1228	LABEL,IMPORTANT NOTICE						
	L-----		AS			1		1
56030A	56030-1230	LABEL,32:1						
56040	56040-1157	LABEL,UNLEADED PETROL ONLY						
	L-----		AS			1		1
56052	56052-0562	MARK,SHROUD,KAWASAKI						
56052A	56052-0890	MARK,SIDE COVER,KX85						
						2		2
						2		2
56067	56067-0985	PATTERN,SHROUD,LH						
56067A	56067-0986	PATTERN,SHROUD,RH						
						1		1
						1		1
56070	56070-3799	LABEL-WARNING,OWNER'S MANUAL						
	L-----		EU			1		1

This catalog covers:

'06~'07 KX85 A6F/A7F/B6F/B7F Chassis

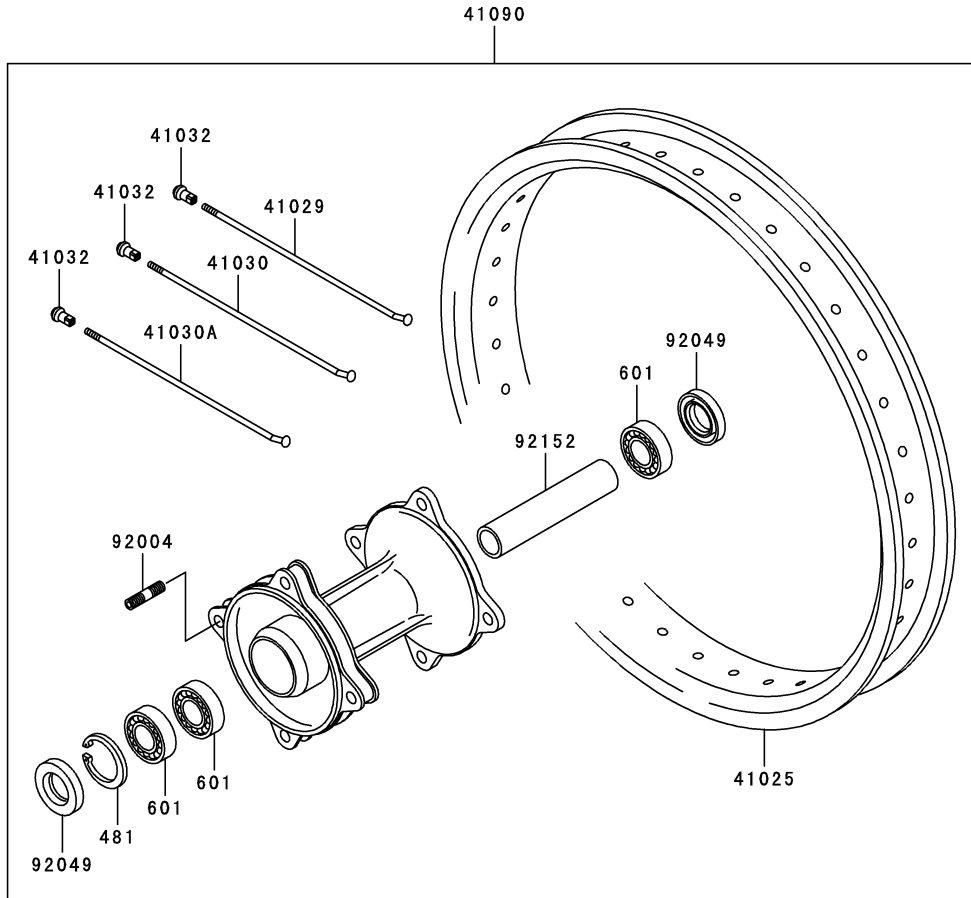
GRID NO.

**F-8**

This grid covers:

**Optional Parts(A6F/A7F)**

F2890



Ref. No.	Part No.	Description	Spec Code	Quantity-KX85				
				'06	'07	'06	'07	
				A6F	A7F	B6F	B7F	
41025	41025-0001	RIM,RR,1.60X15	1	1				
41029	41029-0001	SPOKE-INNER,RR,L&R,167MMX171D	14	14				
41030	41030-0001	SPOKE-OUTER,RR,LH,165MMX171D	7	7				
41030A	41030-0002	SPOKE-OUTER,RR,RH,163MMX171D	7	7				
41032	41032-1077	NIPPLE-SPOKE,8X9X20(+)	28	28				
41090	41090-0001	WHEEL-SUB ASSY,RR	1	1				
92004	92004-1183	STUD,8X16	4	4				
92049	92049-1469	SEAL-OIL	2	2				
92152	92152-1090	COLLAR,RR BRAKE DRUM,L=95	1	1				
481	481J3500	CIRCLIP-TYPE-C,35MM	1	1				
601	601B6202UU	BEARING-BALL	3	3				

This catalog covers:

'06~'07 KX85 A6F/A7F/B6F/B7F Chassis

GRID NO.

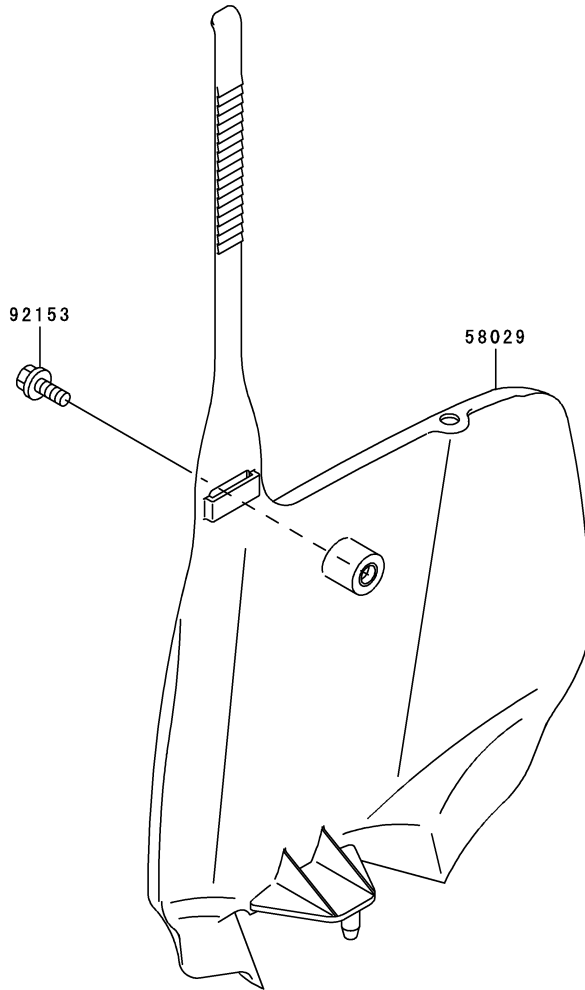
**F-9**

This grid covers:

**Accessory**



F2910



Ref. No.	Part No.	Description	Spec Code	Quantity-KX85				
				'06	'07	'06	'07	
				A6F	A7F	B6F	B7F	
58029	58029-1082-266	PLATE-NUMBER,S.WHITE	1	1	1	1		
92153	92153-0936	BOLT,FLANGED,6X14	1	1	1	1		

This catalog covers:

'06~'07 KX85 A6F/A7F/B6F/B7F Chassis

GRID NO.

**F-10**

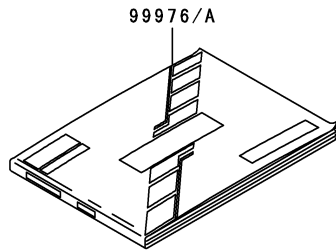
This grid covers:

**Manual(EU)**

F2920

Ref. No.	Part No.	Description	Spec Code	Quantity-KX85					
				'06	'07	'06	'07		
				A6F	A7F	B6F	B7F		
99976	99976-1253	OWNER'S MANUAL,MULTI							
		L-----	EU	1		1			
99976A	99976-1314	OWNER'S MANUAL,MULTI							
		L-----	EU		1		1		

Owner's Manual  
(Local Procurement)



Ref. No.	Language
(99976/A)	English
	French
	German
	Italian



This catalog covers:

'06~'07 KX85 A6F/A7F/B6F/B7F

GRID NO.

This grid covers:

L-14

Numerical Parts Index

Part No.	Grid No.	Part No.	Grid No.	Part No.	Grid No.	Part No.	Grid No.	Part No.	Grid No.	Part No.	Grid No.
11001-1539	B-3	13087-1170	B-8	13270-1905	B-4	21119-0048	C-5	41009-0114	D-10	41090-0008	D-11
11004-1360	B-3	13088-1016	B-8	132G0612	B-12	21121-0022	C-6	41009-0115	D-10	41090-0009	D-11
11005-0052	B-3	13089-1120	B-8	132G0612	E-13	21130-1077	C-6	41009-0116	D-10	410B0800	D-13
11009-1592	E-11	13091-1390	B-10	132G0616	B-11	214C0518	E-8	41022-1121	D-10	410B1400	D-13
11009-1592	E-9	13091-1696	B-4	132G0616	B-7	221B0510	E-6	41022-1122	D-10	42036-1067	D-5
11009-1759	C-3	13091-1697	B-4	132L0616	E-4	221B0616	B-3	41022-1124	D-10	42036-1248	D-6
11011-1612	B-4	13091-1728	E-8	13320-0002	B-13	221B0618	B-7	41022-1125	D-10	42036-1273	D-6
11012-1263	D-5	13095-1406	B-8	14001-0050	B-12	221B0620	B-3	41022-1203	D-10	42036-1274	D-6
11012-1391	E-3	13097-1148	B-6	14025-1646	E-8	221B0645	D-5	41022-1204	D-10	42036-1351	D-6
11012-1692	E-11	130P0510	B-14	14031-0029	B-13	222E0412	E-8	41023-1068	D-10	42041-1207	D-13
11012-1692	E-9	130P0840	E-5	14032-0041	B-13	223C0414	C-4	41023-1072	D-10	42041-1227	D-13
11013-1271	B-4	13127-1261	B-9	14032-1463	B-13	223C0416	C-4	41023-1074	D-10	42041-1228	D-13
11060-1340	E-13	13128-0022	B-9	14037-1249-RZ	C-7	224B0614	C-5	41023-1082	D-10	42041-1228	D-13
11060-1778	B-3	13129-1725	B-9	14037-1282-RZ	C-7	27010-0035	E-8	41023-1122	D-10	42041-1229	D-13
11060-1779	B-3	13129-1730	B-9	14069-1062	B-12	290P0808	B-7	41023-1123	D-10	42041-1229	D-13
11060-1795	B-13	13140-1302	B-10	14073-1785	B-4	311B0500	E-8	41024-010	D-10	42041-1245	D-13
11060-1842	B-5	13140-1303	B-10	14090-1811	B-3	32037-1552	D-4	41024-011	D-10	42041-1246	D-13
11061-0122	B-13	13140-1304	B-10	14090-1812	B-3	32037-1553	D-4	41025-0001	F-8	43010-1079	E-6
11061-0181	E-13	13141-1120	B-10	14090-1860-RZ	E-4	32085-1437	E-5	41025-1441	D-10	43015-0041	E-4
11061-0184	B-13	13144-1022	B-9	15003-1617	C-3	32099-1036	E-8	41025-1442	D-10	43015-1606	E-6
11061-0194	B-13	13144-1022	B-9	16002-1056	C-3	32099-1044	E-8	41025-1443	D-10	43020-1094	E-6
115G0825	B-10	13144-1023	B-9	16004-1065	C-3	32160-1486-458	D-3	41025-1444	D-10	43020-1123	E-4
12021-1123	B-3	13144-1023	B-9	16007-1155	C-3	32160-1667-458	D-3	41029-0001	F-8	43022-1010	E-4
12022-1084	B-3	13159-1056	E-6	16014-1058	C-3	32160-1673-458	D-3	41029-1274	D-10	43026-1058	E-6
12053-1203	D-5	13161-1126	B-11	16016-1075	C-3	32190-1119	D-4	41029-1278	D-10	43026-1075	E-4
12053-1204	D-5	13165-1114	B-11	16017-1431	C-3	33001-1542-458	D-5	41029-1288	D-10	43027-1052	E-6
12053-1414	D-5	13168-1499	B-3	16021-1161	C-3	33001-1543-458	D-5	41029-1289	D-10	43028-1060	E-6
13001-0006	B-6	13169-012	B-12	16025-1220	C-3	33032-1161	D-5	41029-1290	D-10	43028-1067	E-4
13002-1079	B-6	13183-1182	B-12	16030-1064	C-3	33040-1173	D-5	41029-1291	D-10	43034-1110	E-4
13008-1200	B-6	13187-1013	B-8	16031-1065	C-3	34024-1404-458	D-9	41030-0001	F-8	43044-1076	E-7
13031-0040	B-6	13206-1066	B-7	16049-1051	C-3	34028-1498-CE	D-7	41030-0002	F-8	43044-1119	E-5
13032-1230	B-6	13234-0008	B-13	16065-1372	B-3	34028-1499-CE	D-7	41030-1150	D-11	43044-1122	D-13
13033-1060	B-6	13234-1103	B-13	16115-018	B-13	35004-0028-290	D-8	41030-1151	D-11	43048-1064	E-7
13034-0013	B-6	13234-1105	B-3	16142-1144	B-13	35011-1845	C-7	41030-1160	D-11	43048-1083	E-5
13035-1054	B-6	13236-0023	B-13	16187-1176	C-3	35019-1212	D-8	41030-1161	D-11	43049-1059	E-5
13037-0050	B-6	13236-0070	E-4	16187-1177	C-3	35022-1353-290	D-8	41032-1077	D-11	43049-1060	E-7
13037-0051	B-6	13236-1152	B-11	16187-1178	C-3	35063-1137	C-7	41032-1077	F-8	43049-1061	E-7
13061-1712	B-7	13236-1298	B-8	16187-1179	C-3	36001-1584-266	F-4	41034-1310	D-12	43049-1090	E-5
13064-1188	B-7	13236-1353	D-14	16187-1180	C-3	36001-1585-266	F-4	41034-1323	D-13	43056-1054	E-5
13066-1097	B-7	13242-1286	B-11	16187-1182	C-3	39007-1261	D-6	41068-1333	D-12	43056-1055	E-7
13070-0049-RZ	E-11	13260-1014	B-9	16187-1183	C-3	39007-1262	D-6	41068-1401	D-13	43057-003	E-5
13070-0049-RZ	E-9	13260-1950	B-9	16187-1184	C-3	39061-1245	C-7	41080-0111	E-5	43057-1001	E-7
13070-0050-RZ	E-11	13260-1951	B-9	16187-1185	C-3	39062-1425	C-7	41080-0112	E-5	43059-1670	E-6
13070-0050-RZ	E-9	13262-0180	B-9	16187-1186	C-3	39062-1711	C-7	41080-1490	E-5	43078-1068	E-6
13070-1074	E-8	13262-0181	B-9	18020-1272	B-5	39062-1712	C-7	41080-1491	E-5	43078-1112	E-3
13070-1144	E-6	13262-0298	B-9	18046-1559	B-5	39129-1022	B-13	41080-1492	E-7	43080-0008	E-5
13070-1233	E-3	13262-0299	B-9	18100-0016	B-5	39183-1059	E-8	41080-1493	E-7	43080-5134	E-7
13070-1309	B-13	13262-0300	B-9	18120-1114	B-5	41009-0051	D-10	41090-0001	F-8	43082-1196	E-5
13070-1314	B-7	13270-1829	D-5	21003-0032	C-5	41009-0052	D-10	41090-0006	D-11	43082-1205	E-7
13078-1004	B-7	13270-1899	D-5	21007-0073	C-5	41009-0113	D-10	41090-0007	D-11	43084-003	E-5

This catalog covers:

'06~'07 KX85 A6F/A7F/B6F/B7F

GRID NO.

This grid covers:

**L-15** Numerical Parts Index

Part No.	Grid No.	Part No.	Grid No.	Part No.	Grid No.	Part No.	Grid No.	Part No.	Grid No.	Part No.	Grid No.
43089-0008-829	E-3	480J1500	B-7	550D2520	D-13	92009-1286	E-7	92026-1602	B-9	92046-1144	D-6
43095-1091	E-4	480J1600	B-7	550S3020	D-7	92009-1458	E-4	92027-1183	C-7	92046-1160	B-13
43095-1233	E-6	481J2400	B-14	56030-1228	F-6	92009-1476	E-8	92027-120	B-5	92046-1192	D-6
43095-1234	E-6	481J3500	D-13	56030-1228	F-7	92009-1530	E-13	92027-1757	D-8	92046-1217	B-13
44008-1041-828	E-11	481J3500	F-8	56030-1230	F-6	92009-1563	B-12	92027-1940	B-11	92046-1254	B-8
44008-1041-828	E-9	481J3700	D-12	56030-1230	F-7	92009-1568	E-11	92027-1966	E-13	92049-002	B-13
44013-1442	E-11	482J5000	B-3	56040-1157	F-6	92009-1568	E-9	92027-2096	E-13	92049-0069	D-6
44013-1442	E-9	49006-1017	E-8	56040-1157	F-7	92009-1607	B-7	92028-1656	E-11	92049-1188	B-12
44013-1484	E-11	49006-1054	E-5	56052-0562	F-7	92009-1828	D-5	92028-1656	E-9	92049-1238	B-3
44013-1484	E-9	49006-1055	E-5	56052-0890	F-7	92015-077	C-5	92028-1811	B-8	92049-1257	D-12
44018-1058	E-11	49006-1088	E-7	56067-0136	F-6	92015-1014	D-5	92033-0005	B-6	92049-1262	B-13
44018-1058	E-9	49006-1089	E-7	56067-0137	F-6	92015-1078	B-5	92033-028	B-9	92049-1292	B-12
44023-1119	E-11	49006-1097	E-8	56067-0138	F-6	92015-1143	D-4	92033-1079	B-9	92049-1328	D-6
44023-1119	E-9	49006-1313	B-13	56067-0139	F-6	92015-1259	B-4	92033-1091	E-3	92049-1330	D-6
44026-1633	E-11	49006-1344	E-4	56067-0985	F-7	92015-1339	D-8	92033-1186	E-6	92049-1366	B-13
44026-1633	E-9	49016-1044	E-4	56067-0986	F-7	92015-1401	D-13	92033-1211	E-3	92049-1394	E-11
44026-1634	E-11	49047-1063	B-10	56070-3799	F-6	92015-1432	D-13	92036-018	C-3	92049-1394	E-9
44026-1634	E-9	49047-1064	B-10	56070-3799	F-7	92015-1432	D-4	92037-1069	C-5	92049-1414	B-13
44026-1635	E-11	49085-1070	C-7	58029-1082-266	F-9	92015-1487	C-7	92037-1173	B-3	92049-1468	B-7
44026-1635	E-9	49085-1073	C-7	59051-1026	B-7	92015-1528	E-4	92037-1173	C-6	92049-1469	D-13
44026-1671	E-11	49089-1139-290	C-7	59051-1146	B-6	92015-1574	C-3	92037-1318	B-12	92049-1469	F-8
44026-1671	E-9	49089-1146-290	C-7	59051-1147	B-7	92015-1596	E-8	92037-1362	E-4	92051-005	B-12
44028-1090	E-11	49091-0001	E-4	59051-1412	B-13	92015-1653	E-11	92037-1363	E-4	92055-022	B-9
44028-1090	E-9	49091-0001	E-6	59101-1110	E-8	92015-1653	E-9	92037-1396	C-3	92055-1123	E-11
44029-1152	E-11	49110-0001	B-13	59231-1096	E-13	92015-1679	E-3	92037-147	C-3	92055-1123	E-9
44029-1152	E-9	49111-1064	B-13	59256-1064	B-13	92015-1684	D-3	92037-1486	B-4	92055-1156	E-11
44037-0032-10Y	E-11	49114-1106	B-13	600A0800	B-7	92015-1713	E-3	92037-1589	C-7	92055-1156	E-9
44037-0032-D3	E-9	49116-1153	E-11	600A1000	B-14	92015-1839	E-11	92037-1710	E-6	92055-1167	C-3
44039-0023-10Y	E-11	49116-1153	E-9	601A6001	B-8	92015-1839	E-9	92037-1712	C-3	92055-1251	E-6
44039-0023-D3	E-9	49116-1181	B-3	601B6202UU	D-13	92022-077	B-13	92037-1843	B-3	92055-1334	E-3
44044-015	E-11	49123-1054	C-3	601B6202UU	F-8	92022-077	B-3	92037-1969	C-3	92055-1383	E-3
44044-015	E-9	51001-1677-6Z	E-13	601B6301UU	D-12	92022-1028	E-6	92038-001	C-5	92055-1389	C-4
44070-1631-828	E-11	51023-0021	E-13	610A0408	B-10	92022-107	D-4	92042-007	B-12	92055-1441	E-11
44070-1848-828	E-11	51023-0024	E-13	610A0408	B-14	92022-125	D-8	92043-0004	E-6	92055-1441	E-9
44070-1849-828	E-11	51044-0025	E-13	610A0408	B-3	92022-1275	E-11	92043-1207	C-3	92055-1461	B-5
44070-1894-828	E-11	51048-0014	E-13	670B2012	D-14	92022-1275	E-9	92043-1264	B-12	92055-1502	E-10
44075-1130-828	E-9	51048-1124	E-13	670E3034	B-5	92022-1380	B-13	92043-1356	E-5	92055-1502	E-12
44075-1131-828	E-9	52005-0019	B-13	92001-1006	D-4	92022-1561	D-4	92043-1470	B-3	92055-1566	B-3
45014-5013	E-3	53066-0093-336	E-14	92001-1179	D-5	92022-1601	E-6	92043-1643	D-7	92057-1496	D-13
46003-0027-458	E-8	54011-0052	F-3	92002-1222	B-3	92022-165	E-13	92045-0010	B-13	92057-1497	D-13
46012-0011-10Y	E-8	54011-1375	F-3	92002-1237	B-11	92022-1690	E-13	92045-1058	B-10	92058-1086	D-13
46012-0011-D3	E-8	54012-0096	F-3	92002-1659	B-12	92022-1814	E-4	92045-1059	B-12	92059-1941	C-4
46019-1054	E-8	55020-1247-RZ	E-7	92002-1955	E-3	92022-1829	D-7	92045-1062	D-12	92063-1338	C-4
46075-1024	E-8	55020-1611-RZ	E-11	92004-1183	D-13	92022-1873	E-11	92045-1118	B-12	92063-1359	C-4
46076-1203	E-8	55020-1611-RZ	E-9	92004-1183	F-8	92022-1873	E-9	92045-1226	B-12	92063-1360	C-4
46092-1165	E-8	55020-1612-RZ	E-11	92004-1252	B-12	92022-237	B-5	92045-1304	B-12	92063-1361	C-4
46102-1291	D-6	55020-1612-RZ	E-9	92004-1253	B-3	92022-304	B-3	92045-1305	B-13	92063-1362	C-4
46102-1409	B-8	550D2015	E-6	92004-1254	B-12	92025-1780	B-8	92045-1360	B-12	92063-1364	C-4
46102-1411	E-3	550D2518	D-4	92005-0050	B-3	92025-1817	E-7	92045-1450	B-12	92064-1140	C-4
480J1200	B-7	550D2520	D-12	92009-1014	B-3	92026-1136	B-6	92046-1046	D-5	92064-1141	C-4

This catalog covers:

'06~'07 KX85 A6F/A7F/B6F/B7F

GRID NO.

**L-16**

This grid covers:

**Numerical Parts Index**

Part No.	Grid No.	Part No.	Grid No.	Part No.	Grid No.	Part No.	Grid No.	Part No.	Grid No.	Part No.	Grid No.
92064-1142	C-4	92144-1945-8V	E-3	92152-0085	B-13	92192-0265	B-3				
92064-1143	C-4	92145-0089	B-13	92152-0195	B-9	92200-0040	B-14				
92064-1144	C-4	92145-1058	B-7	92152-1090	D-13	92200-0213	B-6				
92065-058	B-12	92145-1106	D-7	92152-1090	F-8	92200-1209	B-7				
92066-1437	B-12	92145-1107	D-7	92152-1139	D-6	92200-1351	B-8				
92070-1228	C-6	92145-1260	E-5	92152-1255	D-8	92200-1352	B-8				
92070-1241	C-6	92145-1340	B-5	92153-0502	D-8	92200-1655	E-10				
92071-042	B-12	92145-1371-8V	E-3	92153-0502	F-4	92200-1655	E-12				
92072-0055	E-8	92150-1144	E-7	92153-0503	C-7	92210-0076	B-12				
92072-056	C-7	92150-1221	D-3	92153-0627	E-4	92210-0076	B-3				
92072-1229	E-13	92150-1359	D-4	92153-0627	E-6	92210-0110	D-12				
92072-1293	D-4	92150-1412	D-6	92153-0860	B-4	92210-0110	D-6				
92075-1352	C-7	92150-1451	E-4	92153-0863	C-5	92210-0215	B-6				
92075-1414	E-7	92150-1452	E-4	92153-0863	D-8	92210-1080	D-3				
92075-1598	B-5	92150-1467	B-11	92153-0936	C-7	92210-1113	B-8				
92075-1787	E-13	92150-1474	E-8	92153-0936	E-10	92210-1249	D-5				
92081-020	B-7	92150-1482	D-4	92153-0936	E-12	99976-1253	F-10				
92081-076	B-11	92150-1487	D-4	92153-0936	E-6	99976-1314	F-10				
92081-122	B-7	92150-1673	B-7	92153-0936	F-3						
92081-1492	B-8	92150-1711	D-6	92153-0936	F-4						
92081-1502	E-7	92150-1715	B-8	92153-0936	F-9						
92081-1555	C-4	92150-1802	E-10	92153-1005	B-14						
92081-1716	B-11	92150-1802	E-12	92153-1005	B-3						
92083-012	B-11	92150-1840	E-7	92153-1006	B-3						
92093-1200	B-5	92150-1888	B-3	92153-1007	B-5						
92093-1426	E-10	92151-1103	E-8	92153-1008	B-5						
92093-1426	E-12	92151-1133	B-5	92153-1008	C-7						
92093-1436	D-6	92151-1133	C-7	92153-1012	D-4						
92104-002	F-5	92151-1134	B-13	92153-1362	E-8						
92110-1119	F-5	92151-1135	B-12	92160-1176	B-5						
92116-1065	D-3	92151-1180	B-13	92160-1236	E-13						
92122-1213	D-4	92151-1234	D-5	92160-1899	F-4						
92143-1055	B-11	92151-1252	B-13	92160-1913	B-5						
92143-1087	C-7	92151-1252	B-3	92161-1175	E-13						
92143-1196	C-7	92151-1256	B-4	92170-1194	B-4						
92143-1196	F-4	92151-1311	C-6	92170-1226	E-8						
92143-1432	D-4	92151-1413	D-6	92170-1810	E-10						
92143-1676	D-5	92151-1423	B-4	92170-1810	E-12						
92143-1932	B-13	92151-1572	D-14	92171-1279	F-3						
92143-1933	B-13	92151-1654	E-6	92171-1323	C-4						
92143-1935	D-12	92151-1799	E-5	92172-0087	B-14						
92143-1936	D-12	92151-1799	E-7	92172-0107	E-4						
92143-1938	D-13	92151-1822	B-5	92172-0119	D-5						
92143-1995	B-11	92151-1877	E-10	92180-1060	D-4						
92144-1178	C-4	92151-1877	E-12	92190-1116	B-12						
92144-1566	C-4	92151-1878	E-10	92190-1488	D-14						
92144-1570-8V	E-3	92151-1878	E-12	92191-1211	C-7						
92144-1571-8V	E-3	92151-1930	B-13	92191-1243	C-4						
92144-1752	D-14	92151-1930	C-7	92191-1591	C-4						
92144-1782	C-4	92151-1930	E-13	92191-1610	C-4						

This catalog covers:

'06~'07 KX85 A6F/A7F/B6F/B7F

GRID NO.

**B-16**

This grid covers:

**Part Name Index**

Accessory.....	F-9
Air Cleaner.....	B-4
Brake Pedal.....	D-14
Cables.....	F-3
Carburetor.....	C-3/C-4
Clutch.....	B-8
Crankcase.....	B-12
Crankshaft.....	B-6
Cylinder.....	B-3
Cylinder Head.....	B-3
Engine Cover(s).....	B-13/B-14
Engine Mount.....	D-4
Fenders.....	D-8
Footrests.....	D-7
Frame.....	D-3
Front Brake.....	E-5
Front Fork(A6F/B6F).....	E-10/E-9
Front Fork(A7F/B7F).....	E-11/E-12
Front Hub.....	D-12
Front Master Cylinder.....	E-4
Fuel Tank.....	E-13
Gear Change Drum.....	B-10
Gear Change Mechanism.....	B-11

Generator.....	C-5
Handlebar.....	E-8
Ignition System.....	C-6
Kickstarter Mechanism.....	B-7
Labels(A6F/B6F).....	F-6
Labels(A7F/B7F).....	F-7
Manual(EU).....	F-10
Muffler(s).....	B-5
Optional Parts(A6F/A7F).....	F-8
Owner's Tools.....	F-5
Piston(s).....	B-6
Radiator.....	C-7
Rear Brake.....	E-7
Rear Hub.....	D-13
Rear Master Cylinder.....	E-6
Seat.....	E-14
Shift Fork(s).....	B-10
Shock Absorber(s).....	E-3
Side Covers.....	F-4
Stand(s).....	D-9
Suspension.....	D-6
Swingarm.....	D-5
Tires.....	D-10/D-11
Transmission.....	B-9

This catalog covers:

'06~'07 KX85 A6F/A7F/B6F/B7F

GRID NO.

**C-16**

This grid covers:

**Part Name Index**

Accessory.....	F-9
Air Cleaner.....	B-4
Brake Pedal.....	D-14
Cables.....	F-3
Carburetor.....	C-3/C-4
Clutch.....	B-8
Crankcase.....	B-12
Crankshaft.....	B-6
Cylinder.....	B-3
Cylinder Head.....	B-3
Engine Cover(s).....	B-13/B-14
Engine Mount.....	D-4
Fenders.....	D-8
Footrests.....	D-7
Frame.....	D-3
Front Brake.....	E-5
Front Fork(A6F/B6F).....	E-10/E-9
Front Fork(A7F/B7F).....	E-11/E-12
Front Hub.....	D-12
Front Master Cylinder.....	E-4
Fuel Tank.....	E-13
Gear Change Drum.....	B-10
Gear Change Mechanism.....	B-11

Generator.....	C-5
Handlebar.....	E-8
Ignition System.....	C-6
Kickstarter Mechanism.....	B-7
Labels(A6F/B6F).....	F-6
Labels(A7F/B7F).....	F-7
Manual(EU).....	F-10
Muffler(s).....	B-5
Optional Parts(A6F/A7F).....	F-8
Owner's Tools.....	F-5
Piston(s).....	B-6
Radiator.....	C-7
Rear Brake.....	E-7
Rear Hub.....	D-13
Rear Master Cylinder.....	E-6
Seat.....	E-14
Shift Fork(s).....	B-10
Shock Absorber(s).....	E-3
Side Covers.....	F-4
Stand(s).....	D-9
Suspension.....	D-6
Swingarm.....	D-5
Tires.....	D-10/D-11
Transmission.....	B-9

This catalog covers:

'06~'07 KX85 A6F/A7F/B6F/B7F

GRID NO.

**D-16**

This grid covers:

**Part Name Index**

Accessory.....	F-9
Air Cleaner.....	B-4
Brake Pedal.....	D-14
Cables.....	F-3
Carburetor.....	C-3/C-4
Clutch.....	B-8
Crankcase.....	B-12
Crankshaft.....	B-6
Cylinder.....	B-3
Cylinder Head.....	B-3
Engine Cover(s).....	B-13/B-14
Engine Mount.....	D-4
Fenders.....	D-8
Footrests.....	D-7
Frame.....	D-3
Front Brake.....	E-5
Front Fork(A6F/B6F).....	E-10/E-9
Front Fork(A7F/B7F).....	E-11/E-12
Front Hub.....	D-12
Front Master Cylinder.....	E-4
Fuel Tank.....	E-13
Gear Change Drum.....	B-10
Gear Change Mechanism.....	B-11

Generator.....	C-5
Handlebar.....	E-8
Ignition System.....	C-6
Kickstarter Mechanism.....	B-7
Labels(A6F/B6F).....	F-6
Labels(A7F/B7F).....	F-7
Manual(EU).....	F-10
Muffler(s).....	B-5
Optional Parts(A6F/A7F).....	F-8
Owner's Tools.....	F-5
Piston(s).....	B-6
Radiator.....	C-7
Rear Brake.....	E-7
Rear Hub.....	D-13
Rear Master Cylinder.....	E-6
Seat.....	E-14
Shift Fork(s).....	B-10
Shock Absorber(s).....	E-3
Side Covers.....	F-4
Stand(s).....	D-9
Suspension.....	D-6
Swingarm.....	D-5
Tires.....	D-10/D-11
Transmission.....	B-9

This catalog covers:

'06~'07 KX85 A6F/A7F/B6F/B7F

GRID NO.

**E-16**

This grid covers:

**Part Name Index**

Accessory.....	F-9
Air Cleaner.....	B-4
Brake Pedal.....	D-14
Cables.....	F-3
Carburetor.....	C-3/C-4
Clutch.....	B-8
Crankcase.....	B-12
Crankshaft.....	B-6
Cylinder.....	B-3
Cylinder Head.....	B-3
Engine Cover(s).....	B-13/B-14
Engine Mount.....	D-4
Fenders.....	D-8
Footrests.....	D-7
Frame.....	D-3
Front Brake.....	E-5
Front Fork(A6F/B6F).....	E-10/E-9
Front Fork(A7F/B7F).....	E-11/E-12
Front Hub.....	D-12
Front Master Cylinder.....	E-4
Fuel Tank.....	E-13
Gear Change Drum.....	B-10
Gear Change Mechanism.....	B-11

Generator.....	C-5
Handlebar.....	E-8
Ignition System.....	C-6
Kickstarter Mechanism.....	B-7
Labels(A6F/B6F).....	F-6
Labels(A7F/B7F).....	F-7
Manual(EU).....	F-10
Muffler(s).....	B-5
Optional Parts(A6F/A7F).....	F-8
Owner's Tools.....	F-5
Piston(s).....	B-6
Radiator.....	C-7
Rear Brake.....	E-7
Rear Hub.....	D-13
Rear Master Cylinder.....	E-6
Seat.....	E-14
Shift Fork(s).....	B-10
Shock Absorber(s).....	E-3
Side Covers.....	F-4
Stand(s).....	D-9
Suspension.....	D-6
Swingarm.....	D-5
Tires.....	D-10/D-11
Transmission.....	B-9

This catalog covers:

'06~'07 KX85 A6F/A7F/B6F/B7F

GRID NO.

**F-16**

This grid covers:

**Part Name Index**

Accessory.....	F-9
Air Cleaner.....	B-4
Brake Pedal.....	D-14
Cables.....	F-3
Carburetor.....	C-3/C-4
Clutch.....	B-8
Crankcase.....	B-12
Crankshaft.....	B-6
Cylinder.....	B-3
Cylinder Head.....	B-3
Engine Cover(s).....	B-13/B-14
Engine Mount.....	D-4
Fenders.....	D-8
Footrests.....	D-7
Frame.....	D-3
Front Brake.....	E-5
Front Fork(A6F/B6F).....	E-10/E-9
Front Fork(A7F/B7F).....	E-11/E-12
Front Hub.....	D-12
Front Master Cylinder.....	E-4
Fuel Tank.....	E-13
Gear Change Drum.....	B-10
Gear Change Mechanism.....	B-11

Generator.....	C-5
Handlebar.....	E-8
Ignition System.....	C-6
Kickstarter Mechanism.....	B-7
Labels(A6F/B6F).....	F-6
Labels(A7F/B7F).....	F-7
Manual(EU).....	F-10
Muffler(s).....	B-5
Optional Parts(A6F/A7F).....	F-8
Owner's Tools.....	F-5
Piston(s).....	B-6
Radiator.....	C-7
Rear Brake.....	E-7
Rear Hub.....	D-13
Rear Master Cylinder.....	E-6
Seat.....	E-14
Shift Fork(s).....	B-10
Shock Absorber(s).....	E-3
Side Covers.....	F-4
Stand(s).....	D-9
Suspension.....	D-6
Swingarm.....	D-5
Tires.....	D-10/D-11
Transmission.....	B-9