

This catalog covers:
'08 KX450 D8F

GRID NO. **A-1** This grid covers:
Title



PARTS CATALOG

'08 KX450 D8F

(KX450F)

Publications	A-2
Model Identification	A-4
Engine	B-1
Chassis.....	E-1

© Kawasaki Heavy Industries, Ltd. 2007

Engine No. Location:
LH crankcase, lower rear

Year & Model	'08 KX450D8F
Color	1. Lime Green (777)
VIN No. Range	JKAKX450DDA021001 ~ JKAKXGDC√8A021001 ~ (Australia only)
Engine No. Range	KX450DE000001 ~

This catalog covers:
'08 KX450 D8F

GRID NO. **A-2** This grid covers:
Publications

Year & Model	Owner's Manual	A&P Manual		Service Manual		Microfiche
		General	Supplement	Basic	Supplement	
2008 KX450D8F	99976-1393(EN/FR/DE) 99976-1394(IT/ES/NL) 99986-1420(Australia only)	99939-1315-03		99924-1355-03		99912-1505-01

This catalog covers:
'08 KX450 D8F

GRID NO.
A-4

This grid covers:
Model I.D. '08 KX450D8F

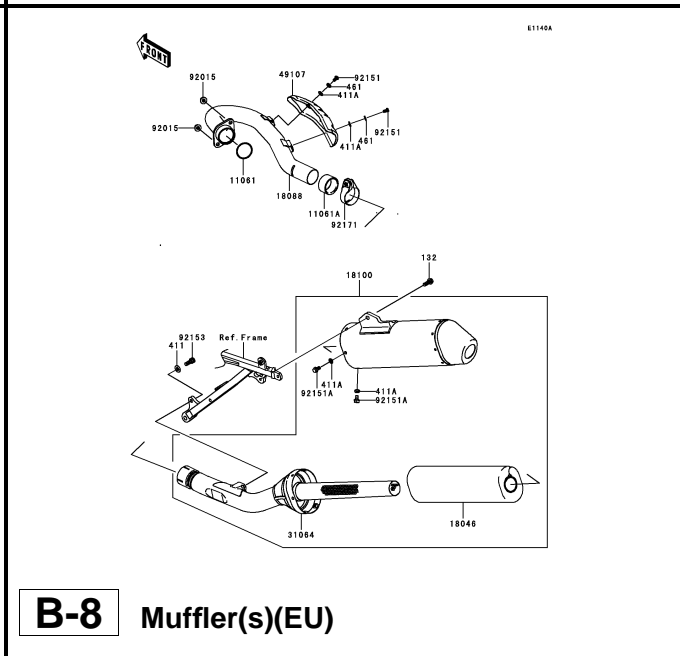
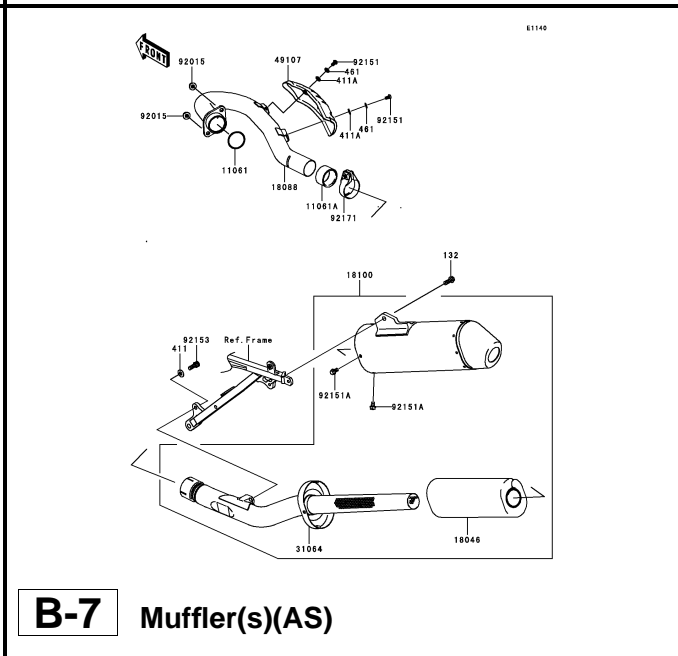
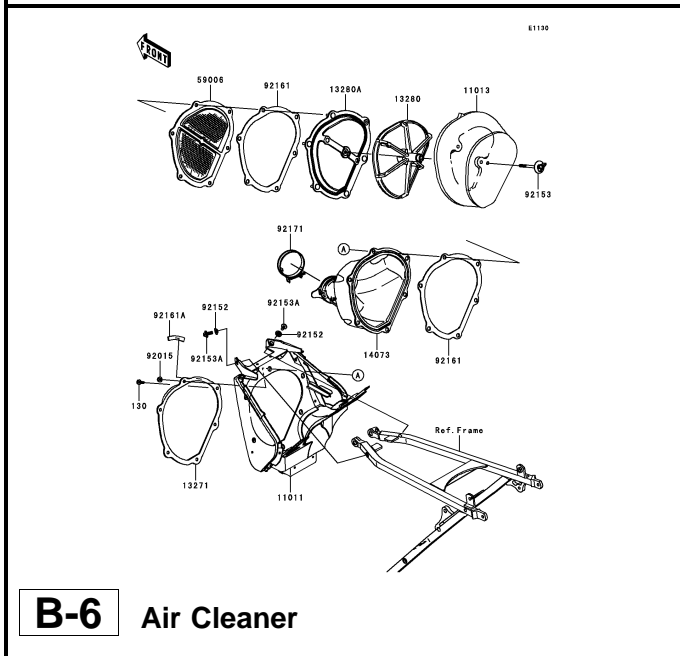
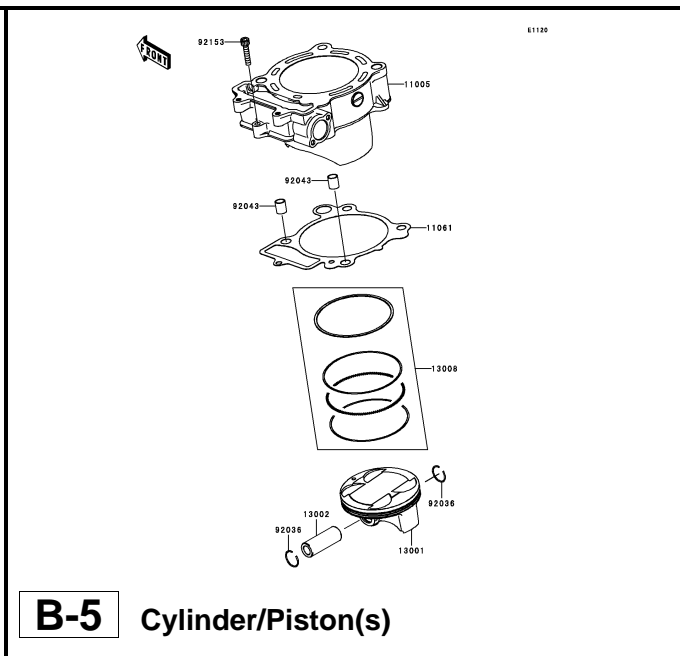
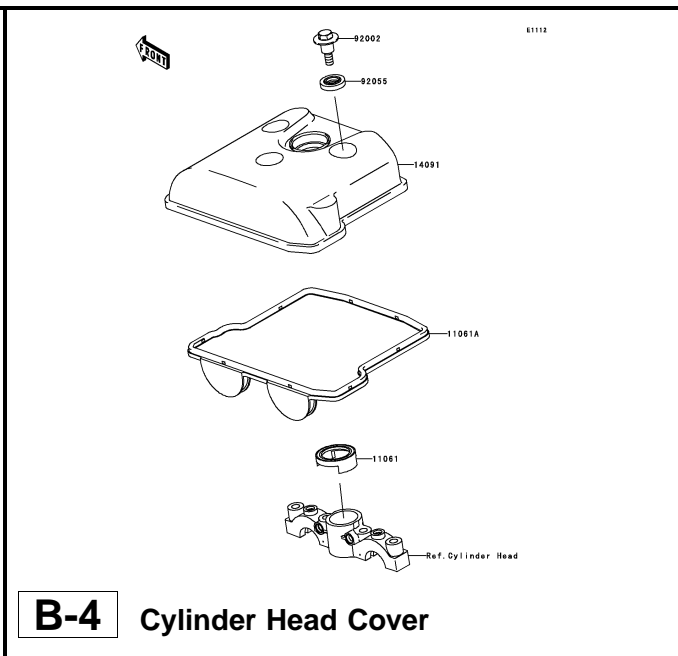
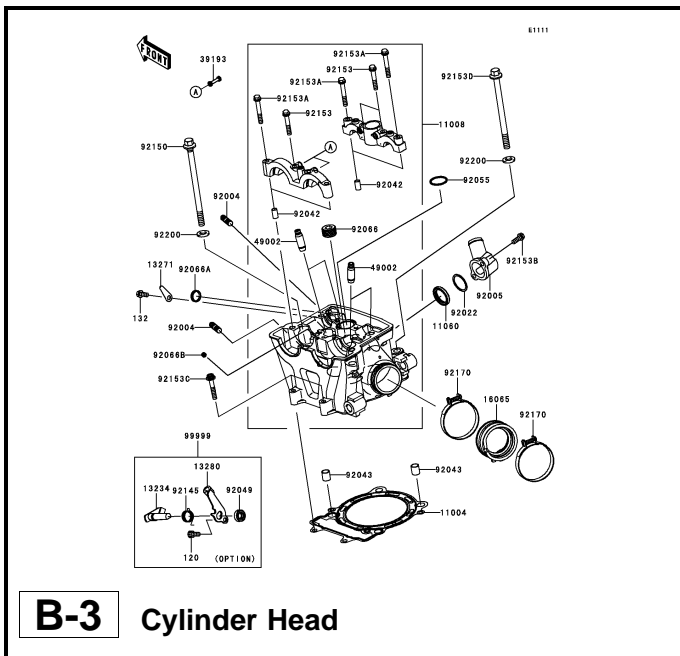
KX450D8F

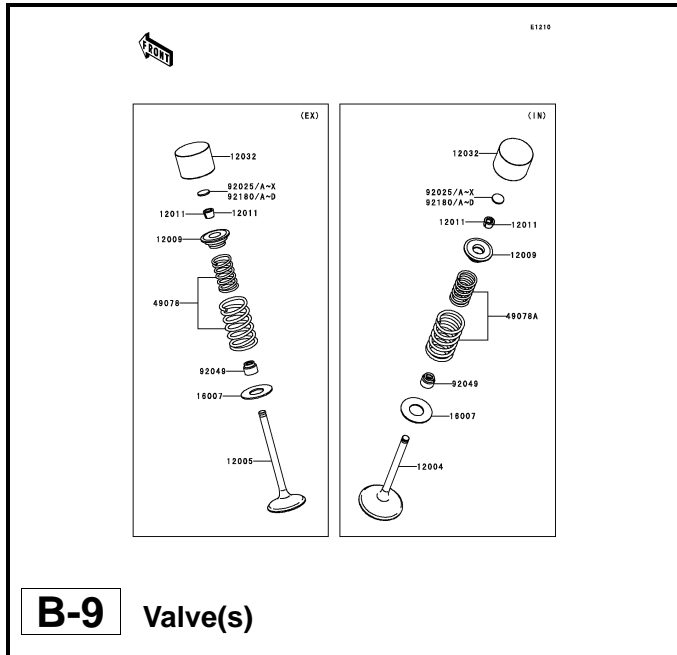
Left Side View



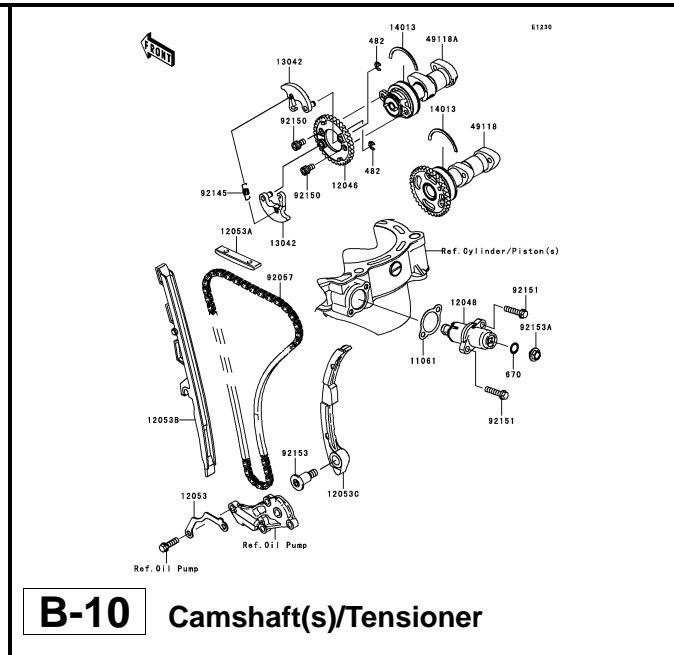
Right Side View



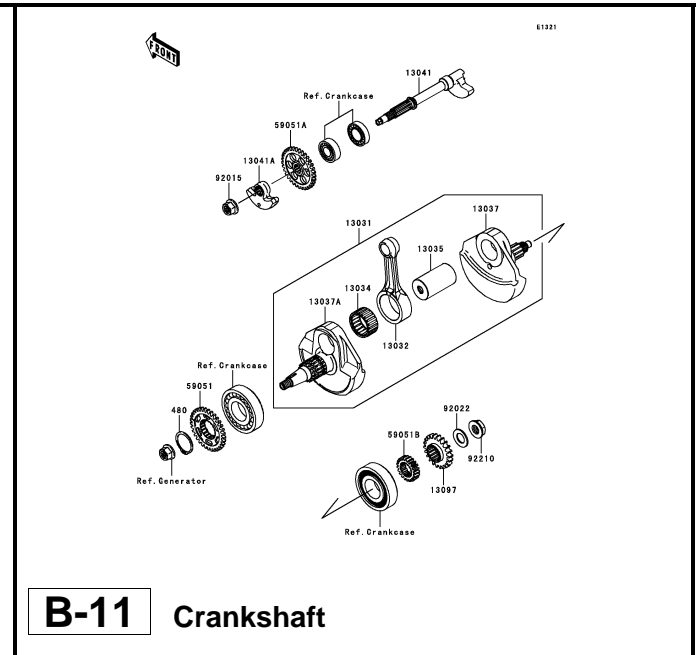




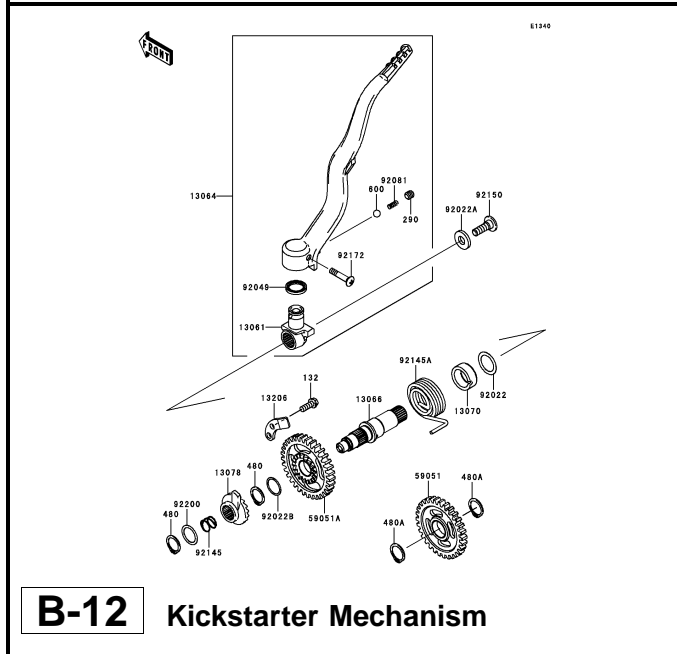
B-9 Valve(s)



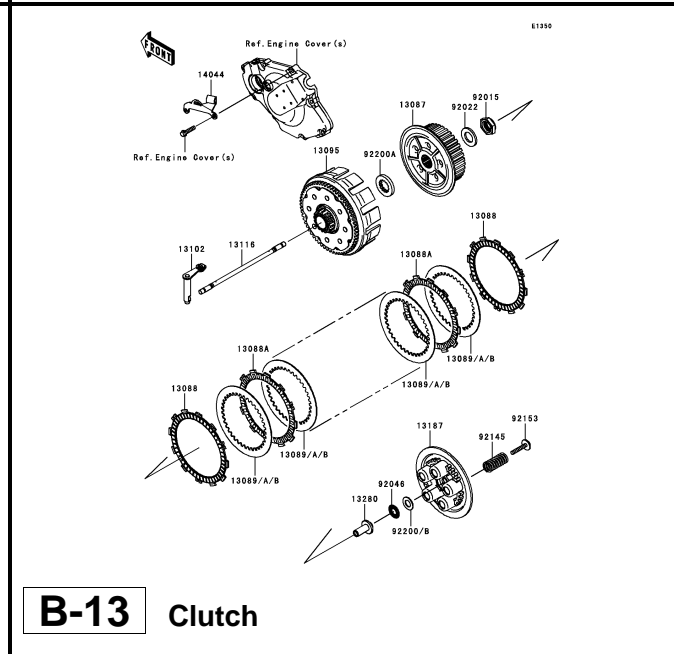
B-10 Camshaft(s)/Tensioner



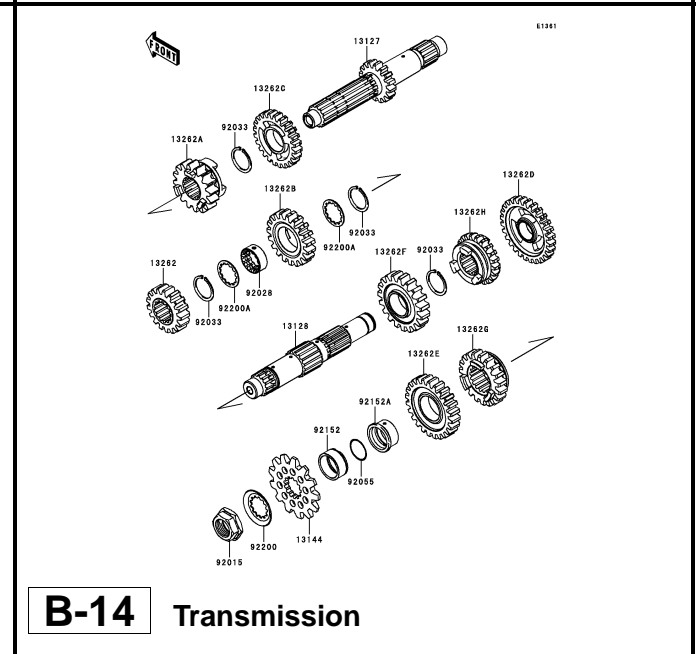
B-11 Crankshaft



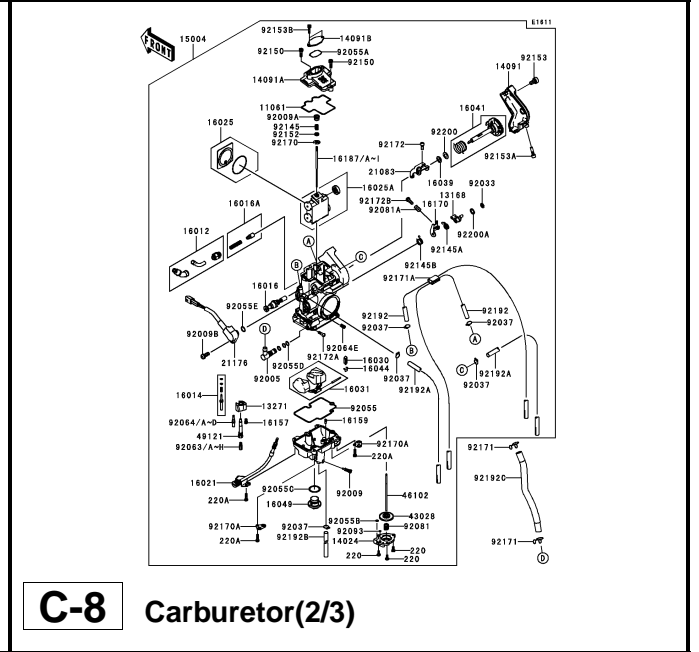
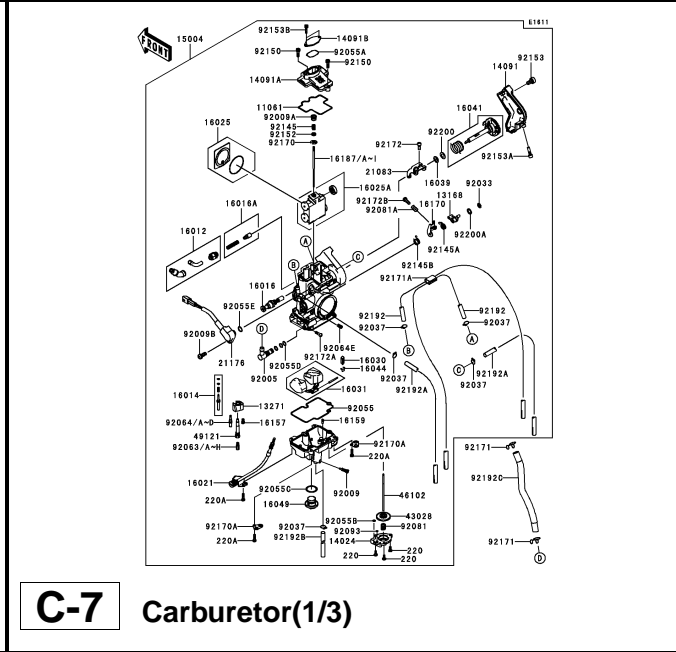
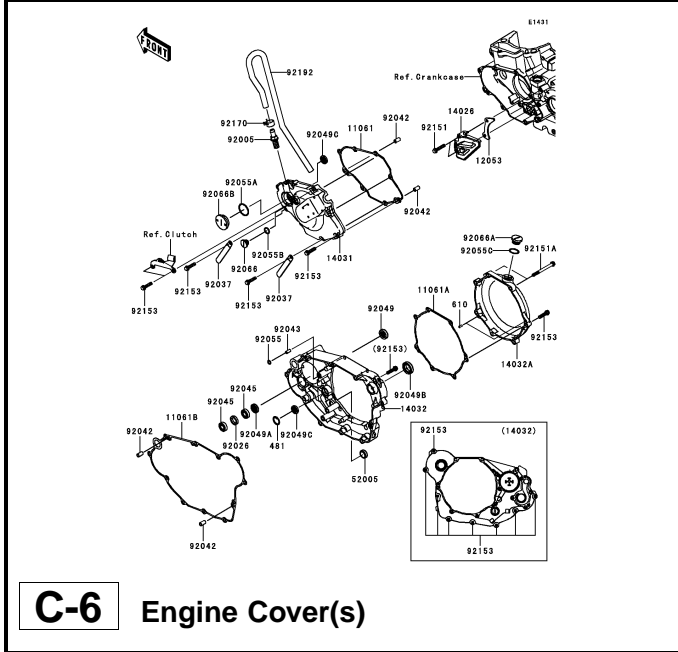
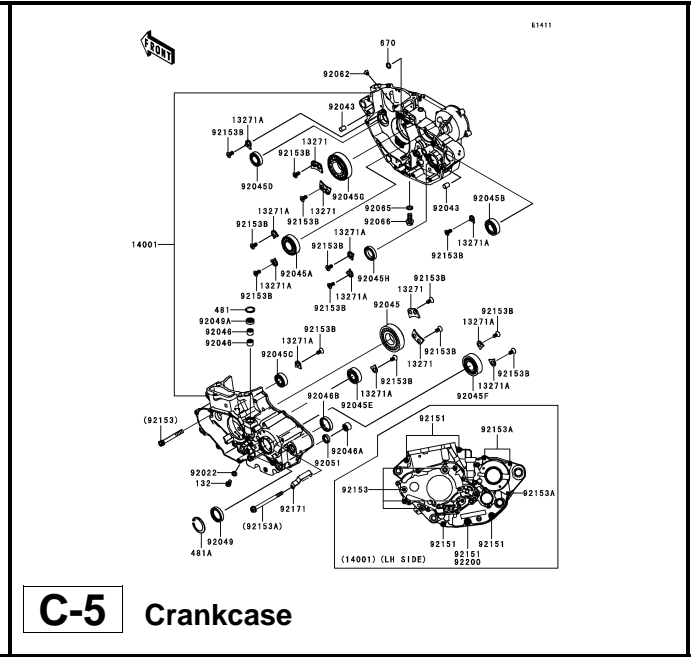
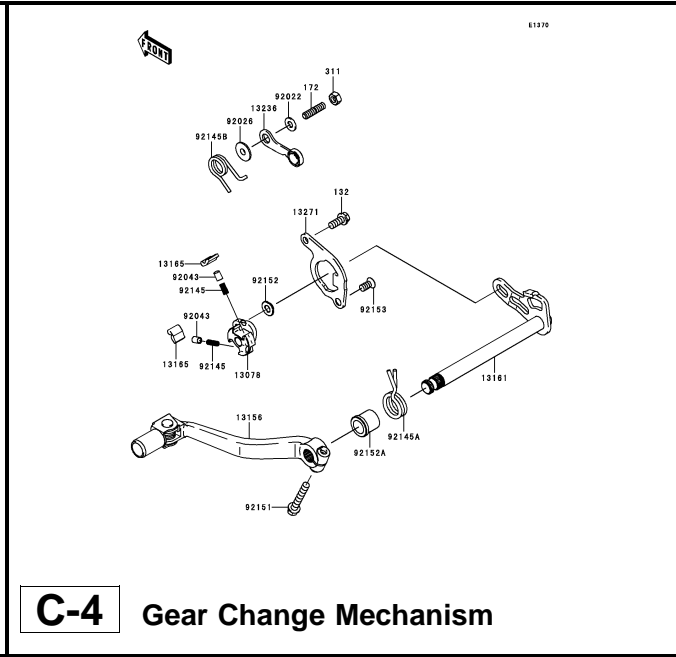
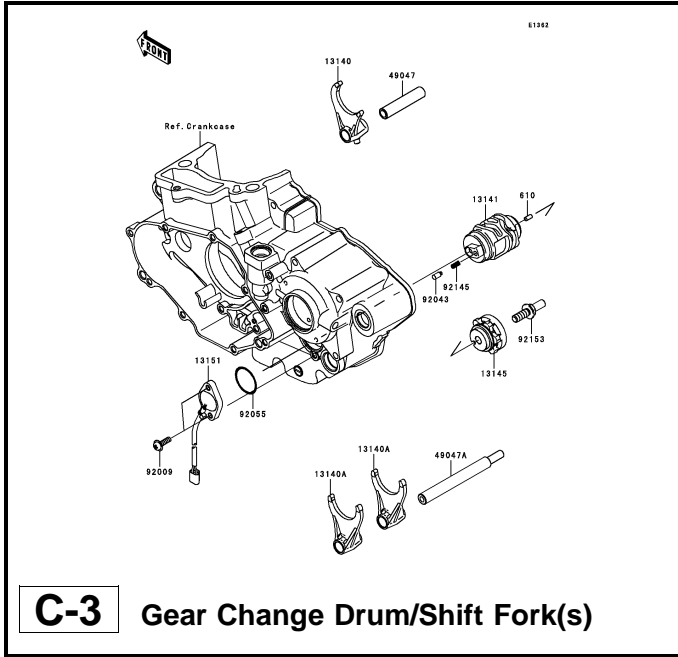
B-12 Kickstarter Mechanism



B-13 Clutch



B-14 Transmission



C-9 Carburetor(3/3)

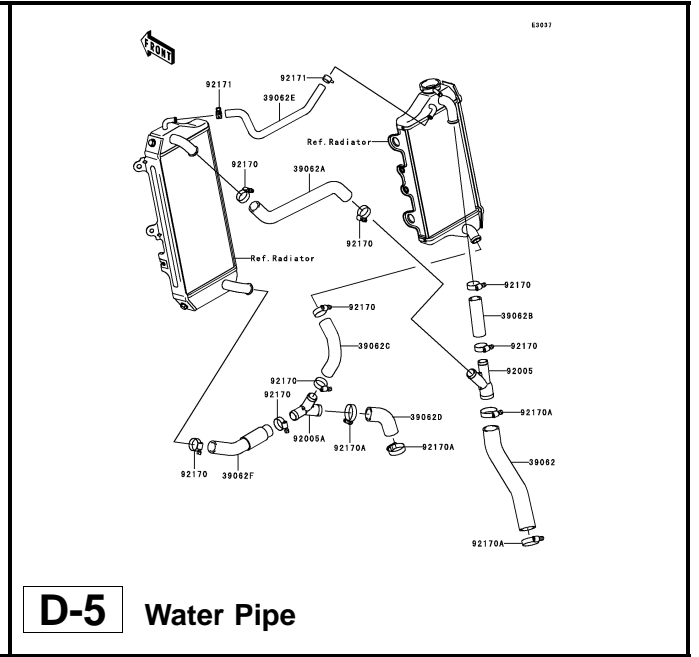
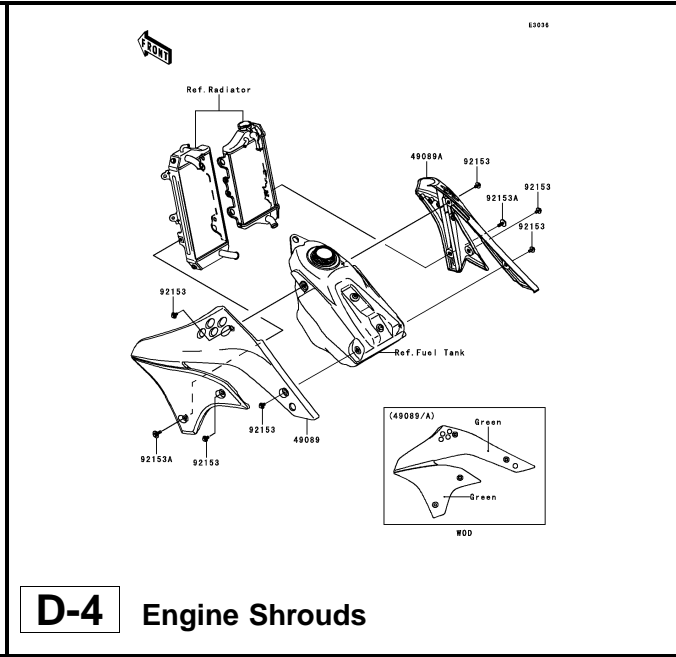
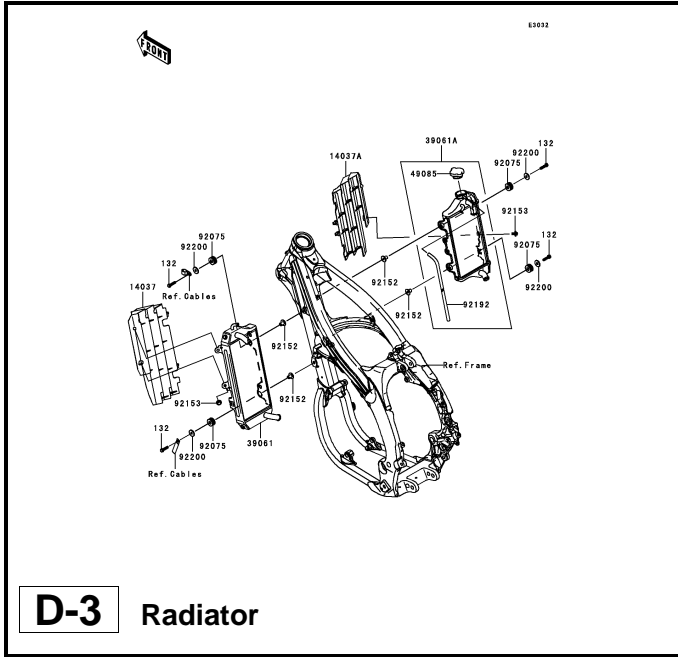
C-10 Oil Pump

C-11 Oil Filter

C-12 Generator

C-13 Ignition System

C-14 Water Pump



This catalog covers:

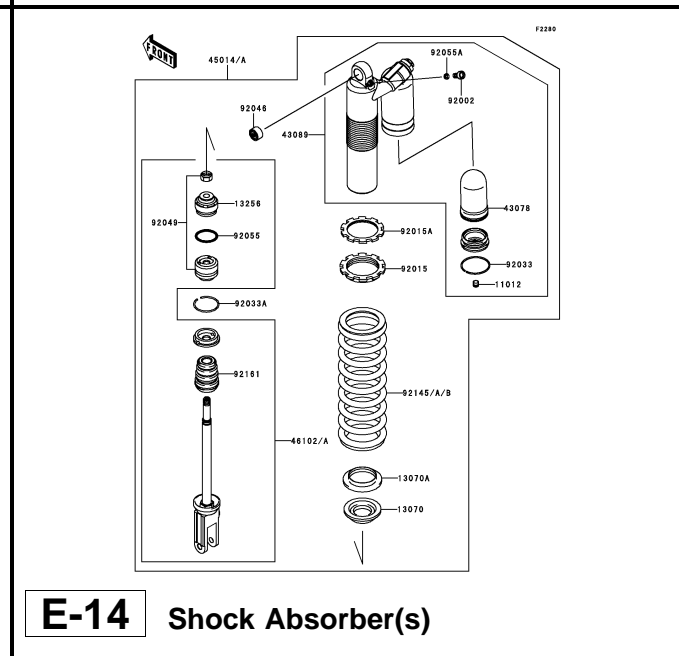
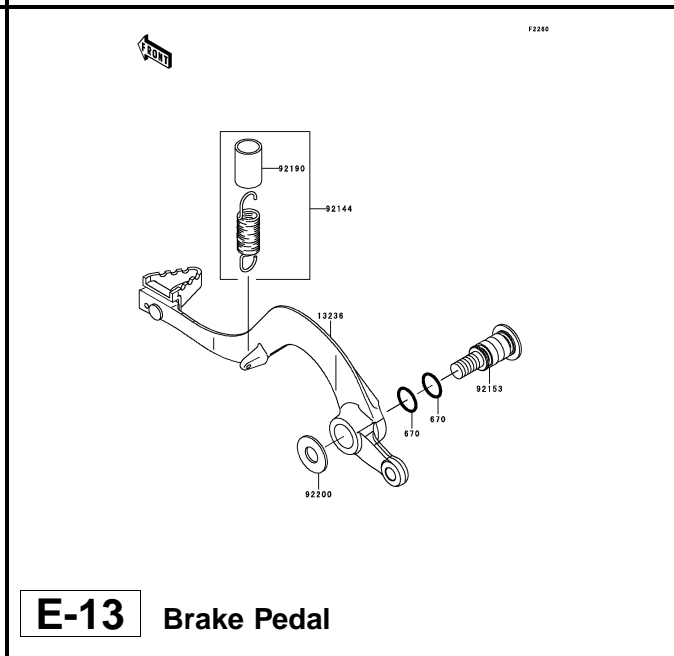
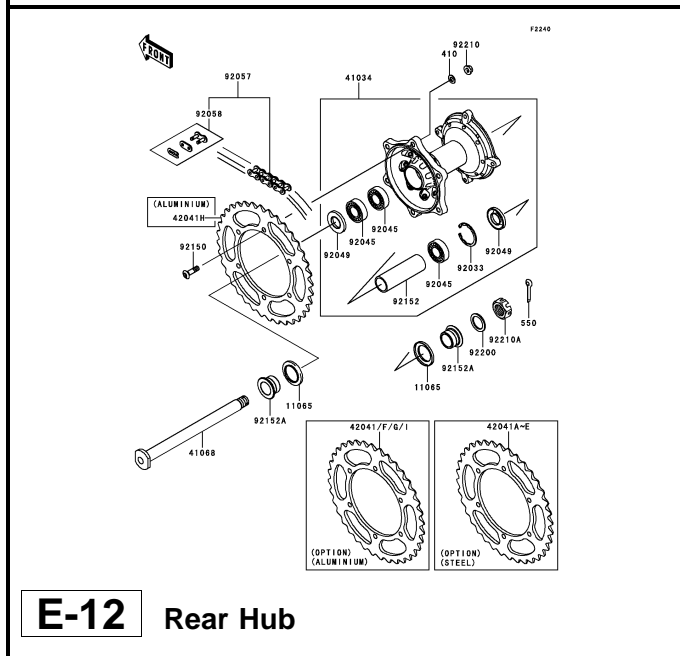
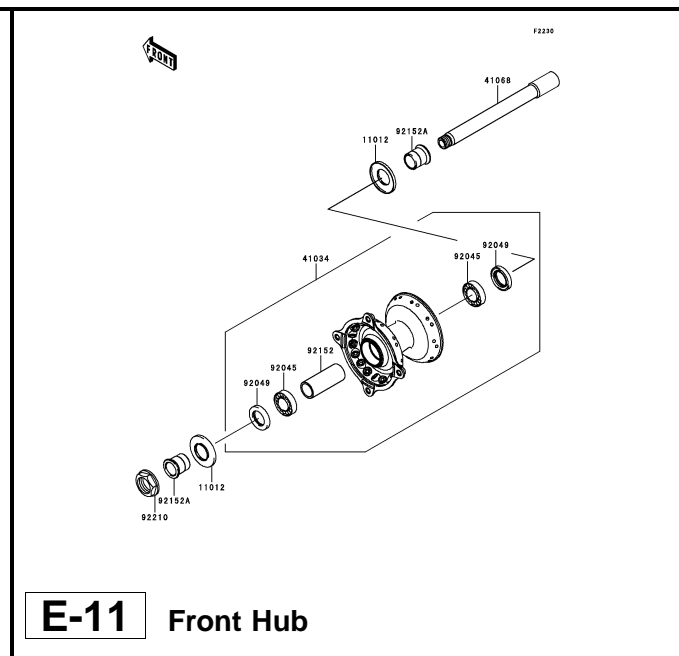
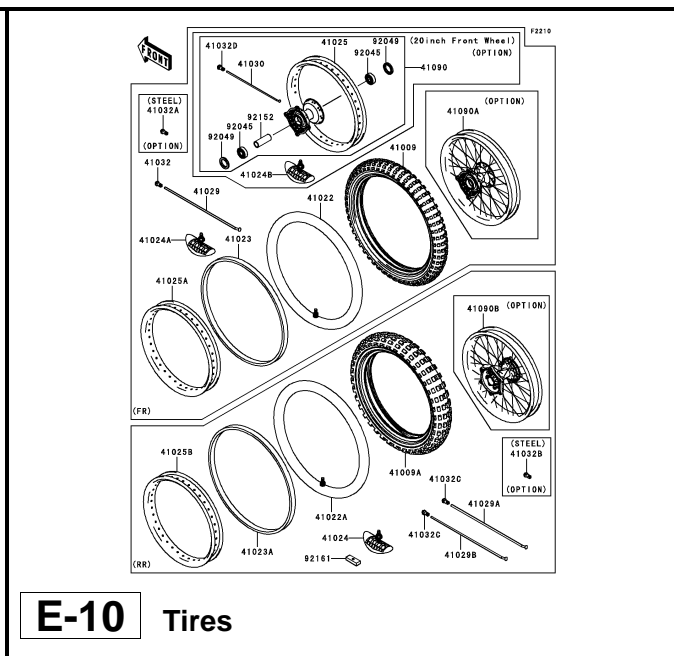
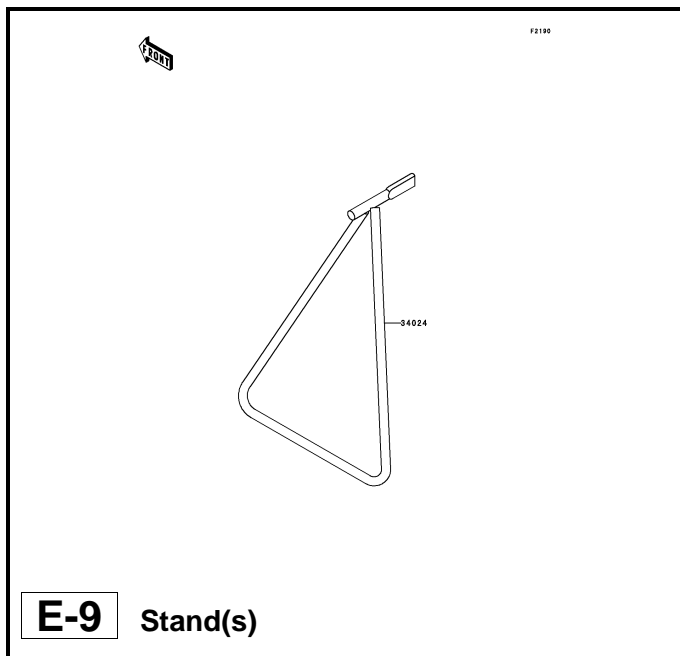
'08 KX450D8F Engine

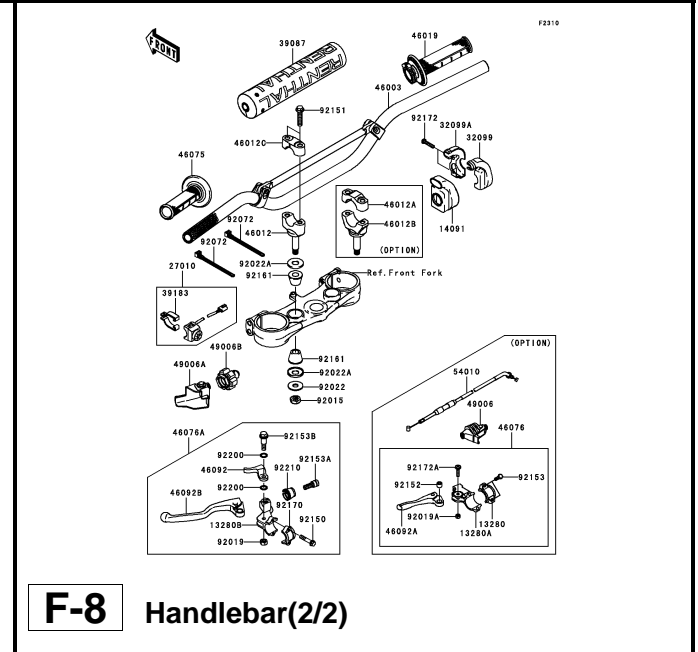
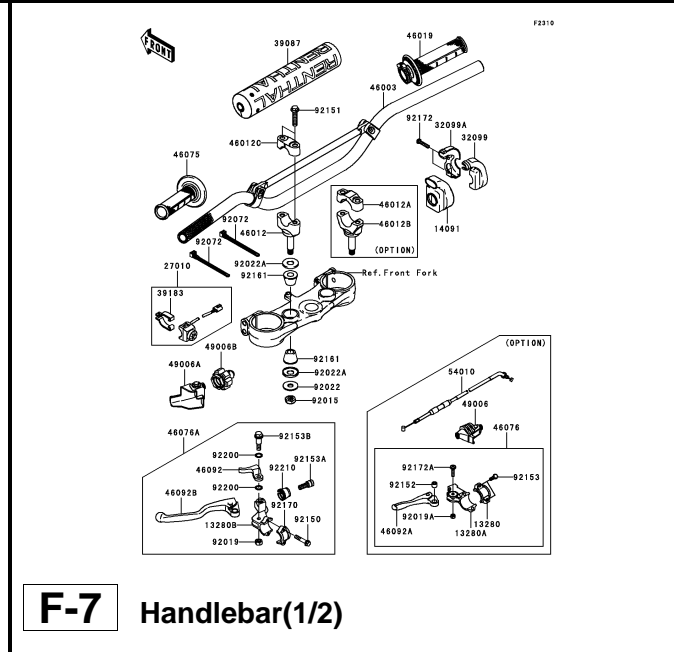
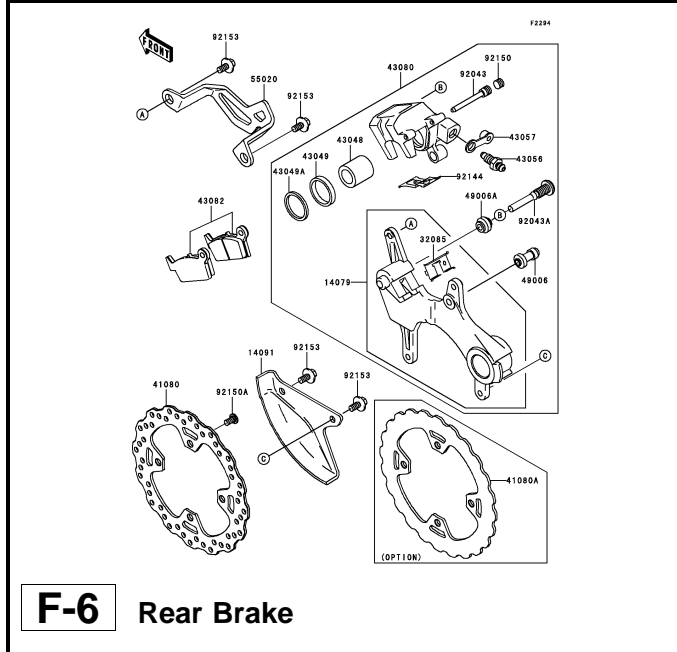
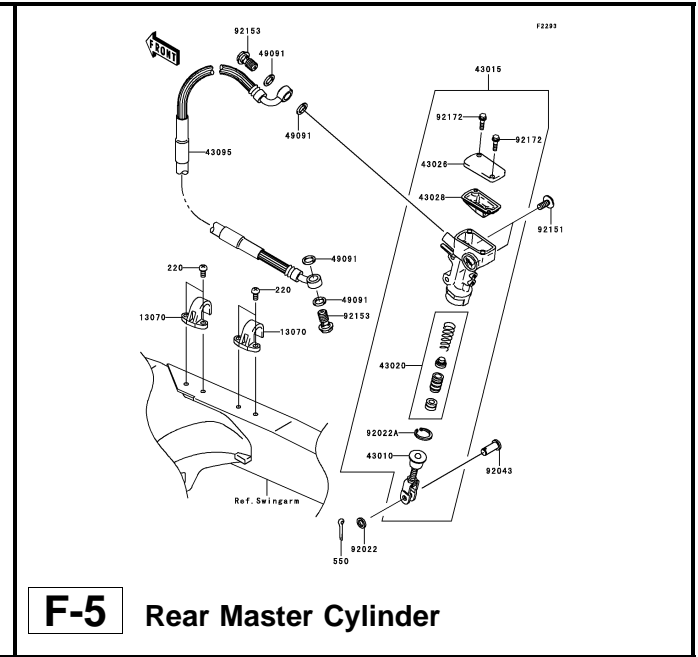
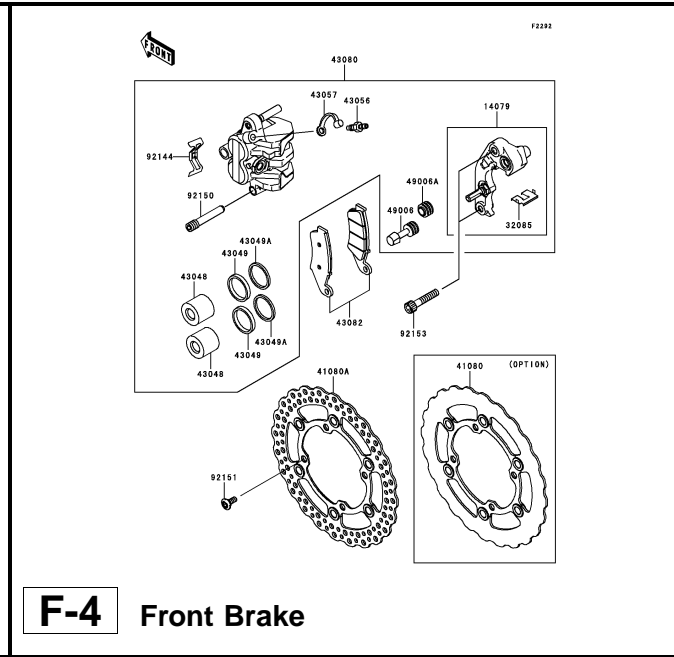
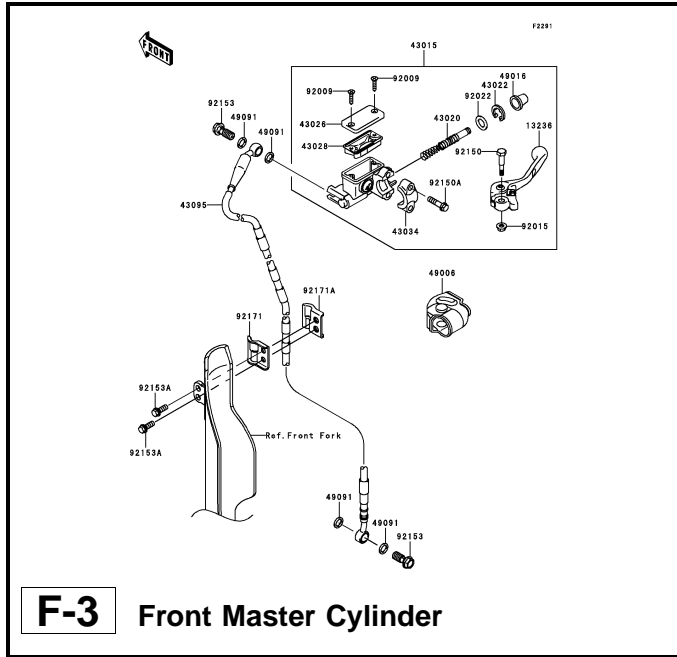
GRID NO.

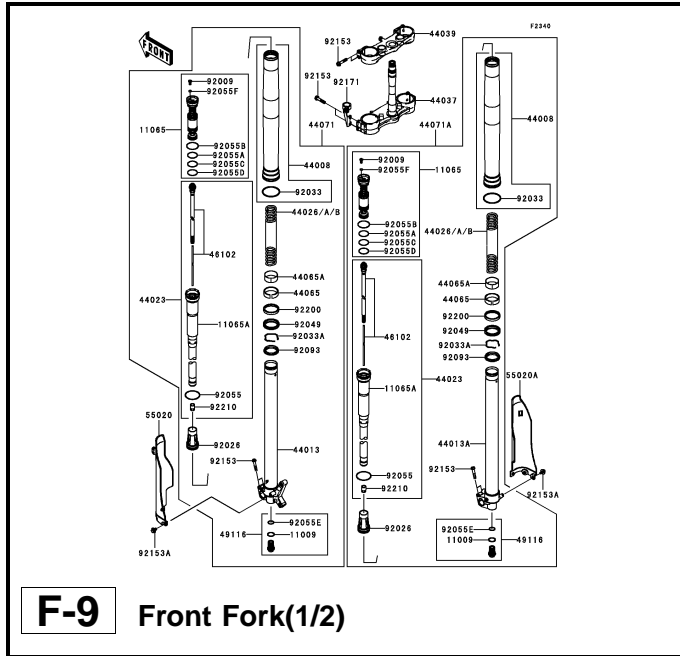
D-2

This grid covers:

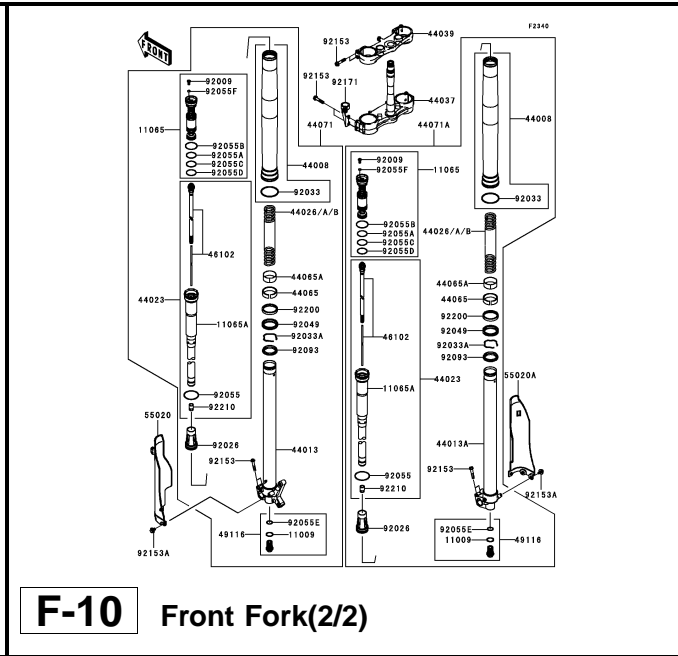
Pictorial Index



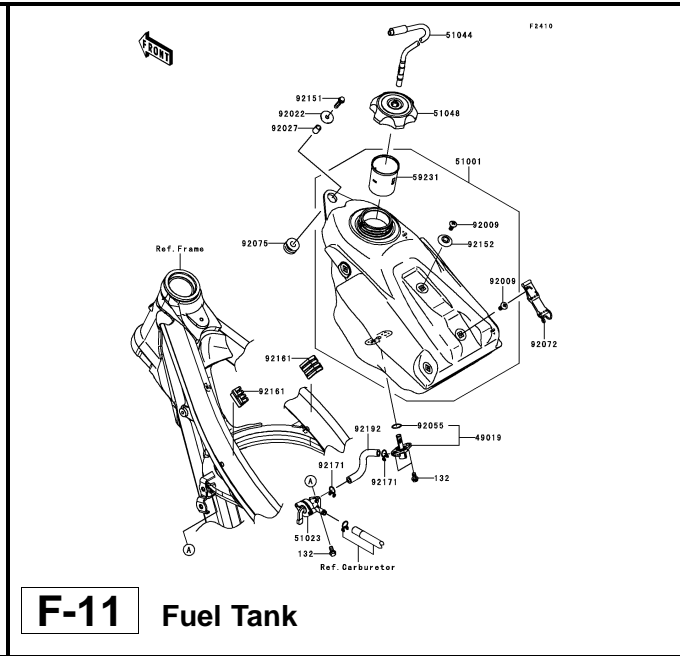




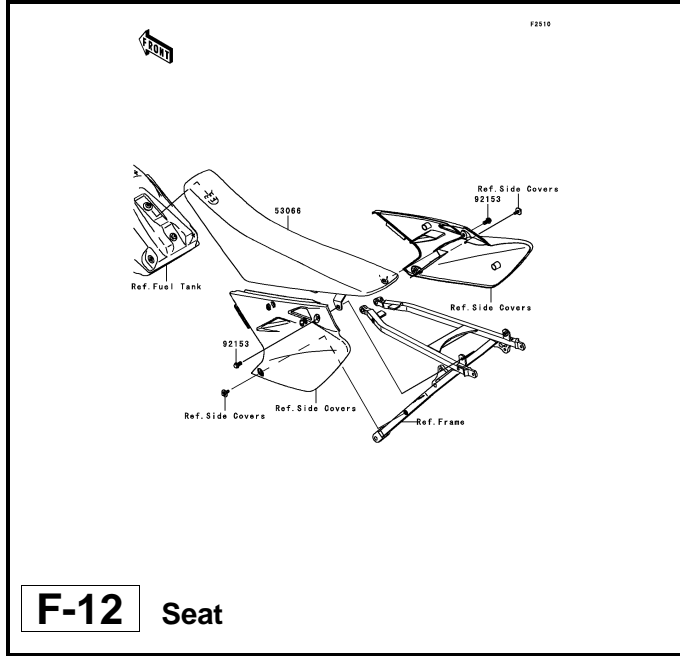
F-9 Front Fork(1/2)



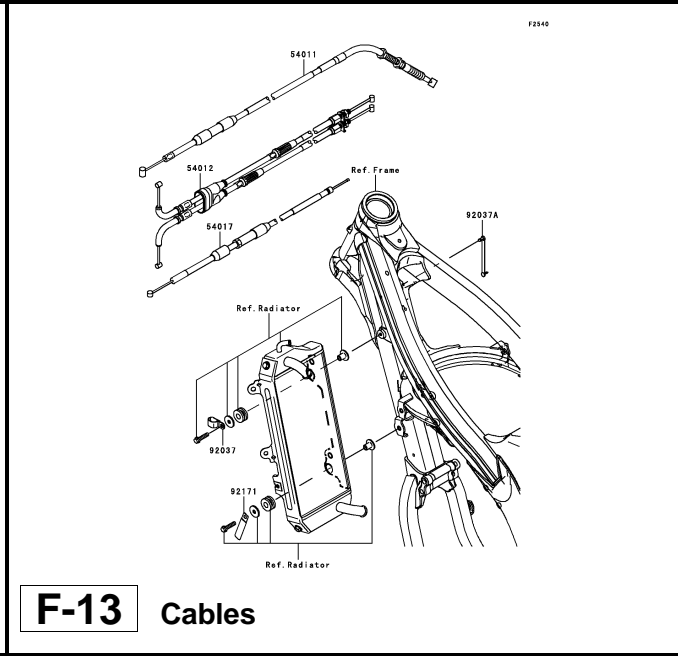
F-10 Front Fork(2/2)



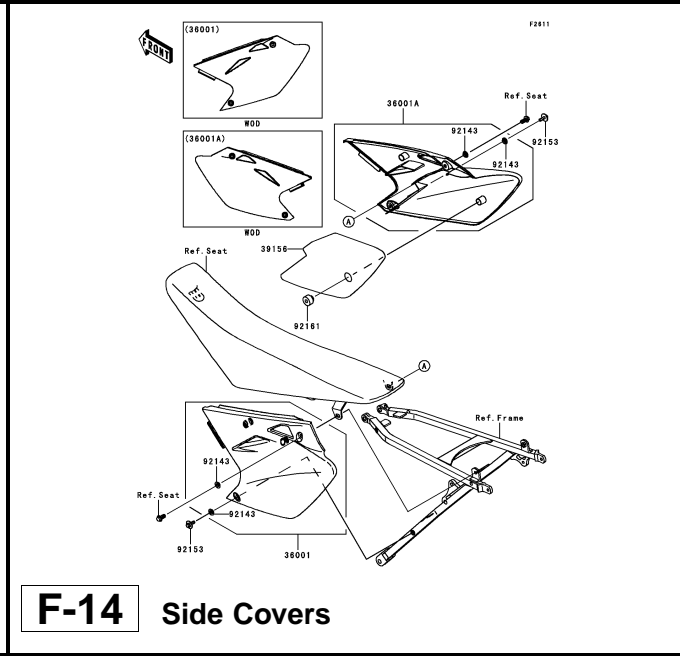
F-11 Fuel Tank



F-12 Seat



F-13 Cables



F-14 Side Covers

F2740

Ref. Ignition System

Ref. Frame

Ref. Ignition System

26031

92037

92037

92037

92037

G-3 Chassis Electrical Equipment

F2810

92110A

92110

92104/A/B

G-4 Owner's Tools

F2860

(AS)

56071

(EU)

56071A

(EU)

56070

Ref. Fenders

G-5 Labels

F2881

(LH) Ref. Engine Shrouds

56068

56068K

56068E

56068F

Ref. Side Covers

56052

56068A

(RH) Ref. Engine Shrouds

56068H

56068B

56068C

Ref. Side Covers

56068I

56068D

56068G

Ref. Accessory

Ref. Air Cleaner

Ref. Air Cleaner

56068J

56068L

Ref. Fenders

G-6 Decals

F2910

92153

56029

(56029)

W00

G-7 Accessory

F2920

Owner's Manual
(Local Procurement)

99976/A

Ref. No.	Language
(99924)	English
(99976)	French
	German
	Italian
(99976A)	Spanish
	Dutch

Service Manual

99924

99953

99954

99955

99956

Ref. No.	Language
(99924)	English
(99953)	German
(99954)	French
(99955)	Italian
(99956)	Spanish

ASP Manual

99939

99946

99950

99951

99952

Ref. No.	Language
(99939)	English
(99946)	German
(99950)	French
(99951)	Italian
(99952)	Spanish

G-8 Manual(EU)

This catalog covers:

'08 KX450D8F Chassis

GRID NO.

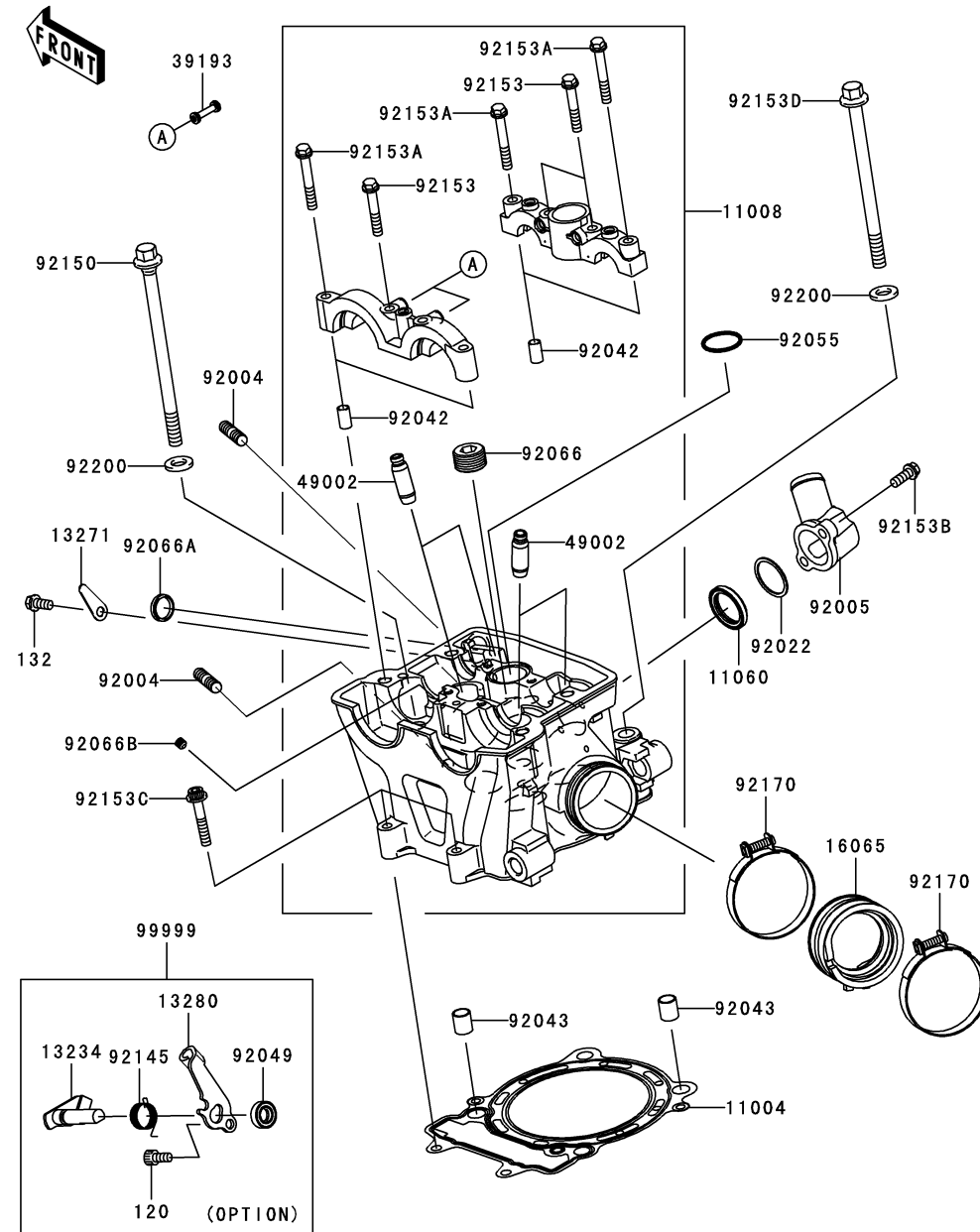
G-2

This grid covers:

Pictorial Index

This catalog covers:
'08 KX450D8F Engine

GRID NO. **B-3** This grid covers:
Cylinder Head



E1111

Ref. No.	Part No.	Description	Spec Code	Quantity-KX450			
				'08			
11004	11004-0045	GASKET-HEAD		1			
11008	11008-0143	HEAD-COMP-CYLINDER		1			
11060	11060-1300	GASKET,THERMOSTAT		1			
13234	13234-0009	SHAFT-COMP,DECOMP		1			
	(OPTION)						
13271	13271-0675	PLATE		1			
13280	13280-0038	HOLDER,DECOMP		1			
	(OPTION)						
16065	16065-0050	HOLDER-CARBURETOR		1			
39193	39193-0027	PIPE-OIL		2			
49002	49002-0007	GUIDE-VALVE	AR				
92004	92004-0025	STUD,8X22		2			
92005	92005-0018	FITTING		1			
92022	92022-161	WASHER,25.3X30X1		1			
92042	92042-007	PIN,DOWEL,6.3X8X14		4			
92043	92043-4009	PIN,10.1X12X14		2			
92049	92049-1196	SEAL-OIL		1			
	(OPTION)						
92055	92055-0046	RING-O,23.5X2.0		1			
92066	92066-0002	PLUG,PT1/2X12.5		1			
92066A	92066-0024	PLUG,4X18		1			
92066B	92066-0068	PLUG,6X6		1			
92145	92145-0048	SPRING		1			
	(OPTION)						
92150	92150-1935	BOLT,L=140		2			
92153	92153-0338	BOLT,6X38		4			
92153A	92153-0339	BOLT,6X45		4			
92153B	92153-0695	BOLT,6X16		2			
92153C	92153-0810	BOLT,6X35		2			
92153D	92153-1001	BOLT,FLANGED-SMALL,10X127		2			
92170	92170-1448	CLAMP		2			
92200	92200-0114	WASHER,10.5X19X2.3		4			
99999	99999-0023	KIT.,MANUAL DECOMP		1			
	(OPTION)						
120	120CA0612	BOLT-SOCKET,6X12		1			
	(OPTION)						
132	132BB0612	BOLT-FLANGED-SMALL,6X12		1			

This catalog covers:
'08 KX450D8F Engine

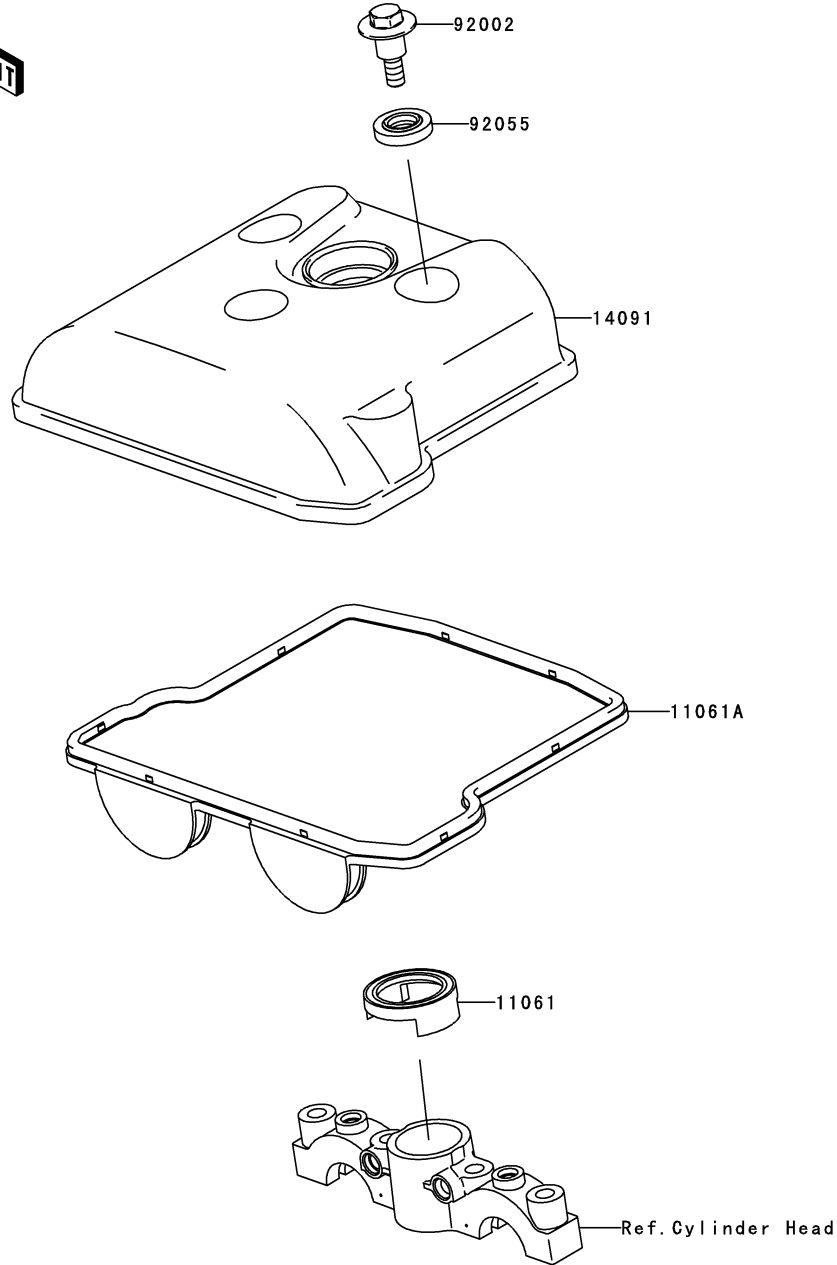
GRID NO.

B-4

This grid covers:
Cylinder Head Cover

E1112

Ref. No.	Part No.	Description	Spec Code	Quantity-KX450			
				'08			
11061	11061-0079	GASKET,PLUG HOLE		1			
11061A	11061-0185	GASKET,CYLINDER HEAD COVER		1			
14091	14091-0796	COVER,CYLINDER HEAD		1			
92002	92002-1327	BOLT,FLANGED,6X22.5		3			
92055	92055-1352	RING-O,HEAD COVER BOLT		3			

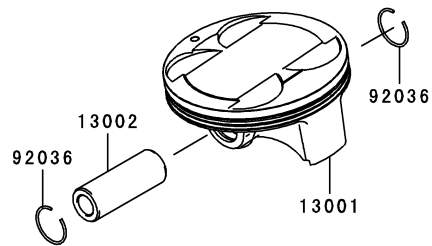
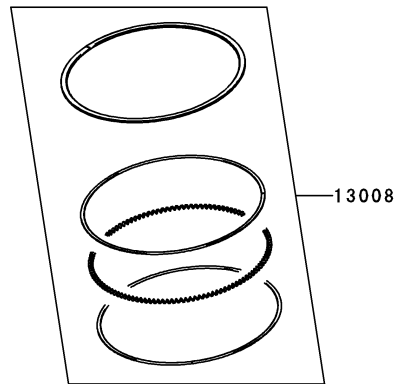
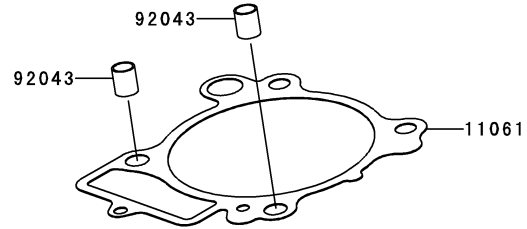
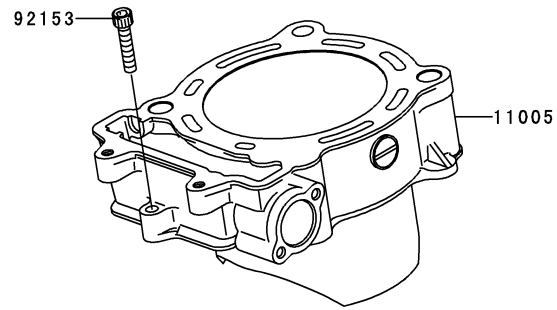


This catalog covers:
'08 KX450D8F Engine

GRID NO. **B-5** This grid covers:
Cylinder/Piston(s)

E1120

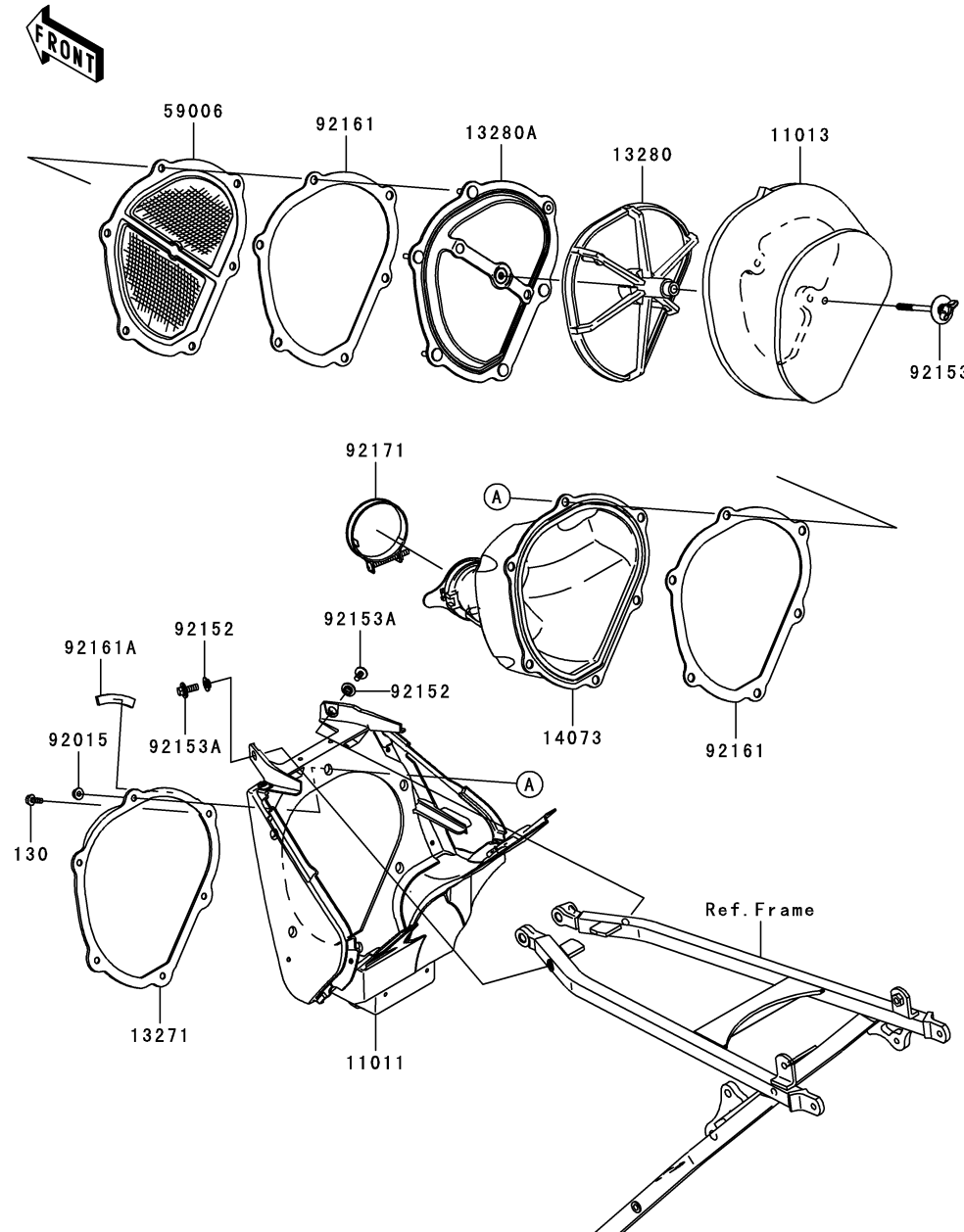
Ref. No.	Part No.	Description	Spec Code	Quantity-KX450			
				'08			
11005	11005-0088	CYLINDER-ENGINE		1			
11061	11061-0160	GASKET,CYLINDER BASE		1			
13001	13001-0073	PISTON-ENGINE		1			
13002	13002-0016	PIN-PISTON		1			
13008	13008-0018	RING-SET-PISTON		1			
92036	92036-008	RING-SNAP,PISTON PIN		2			
92043	92043-4009	PIN,10.1X12X14		2			
92153	92153-0844	BOLT,6X30		1			



This catalog covers:
'08 KX450D8F Engine

GRID NO. **B-6** This grid covers:
Air Cleaner

E1130

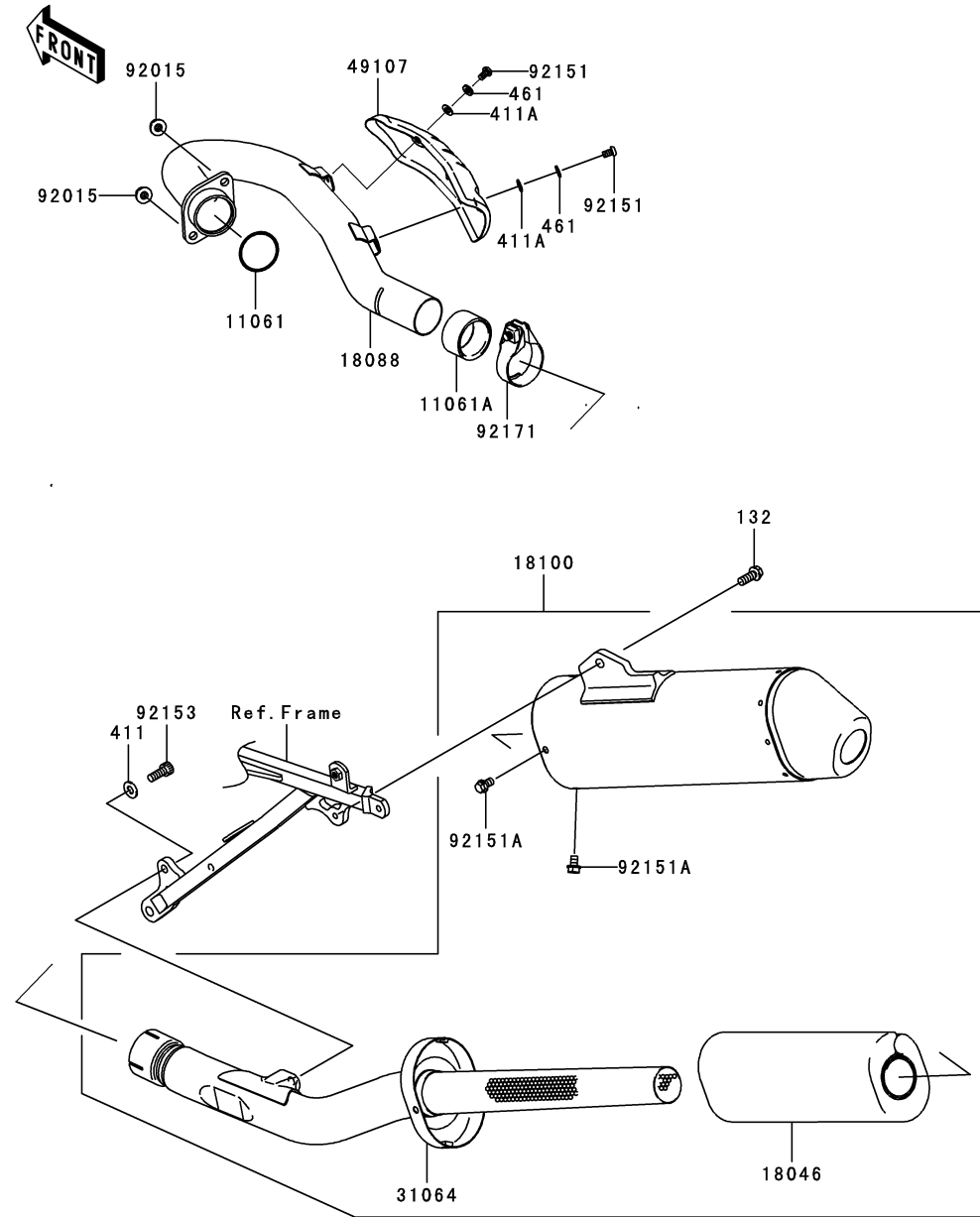


Ref. No.	Part No.	Description	Spec Code	Quantity-KX450	
				'08	D8F
11011	11011-0055-6Z	CASE-AIR FILTER,F.BLACK		1	
11013	11013-0011	ELEMENT-AIR FILTER		1	
13271	13271-0730	PLATE,DUCT FITTING		1	
13280	13280-0108	HOLDER,ELEMENT		1	
13280A	13280-0170	HOLDER		1	
14073	14073-0085	DUCT,AIR FILTER		1	
59006	59006-0011	ARRESTER-FLAME		1	
92015	92015-1259	NUT,FLANGED,5MM		5	
92152	92152-0275	COLLAR		2	
92153	92153-0623	BOLT,6X75		1	
92153A	92153-0863	BOLT,6X16		2	
92161	92161-0213	DAMPER		2	
92161A	92161-0350	DAMPER		1	
92171	92171-0651	CLAMP,DUCT,62MM		1	
130	130G0512	BOLT-FLANGED,5X12		1	

This catalog covers:
'08 KX450D8F Engine

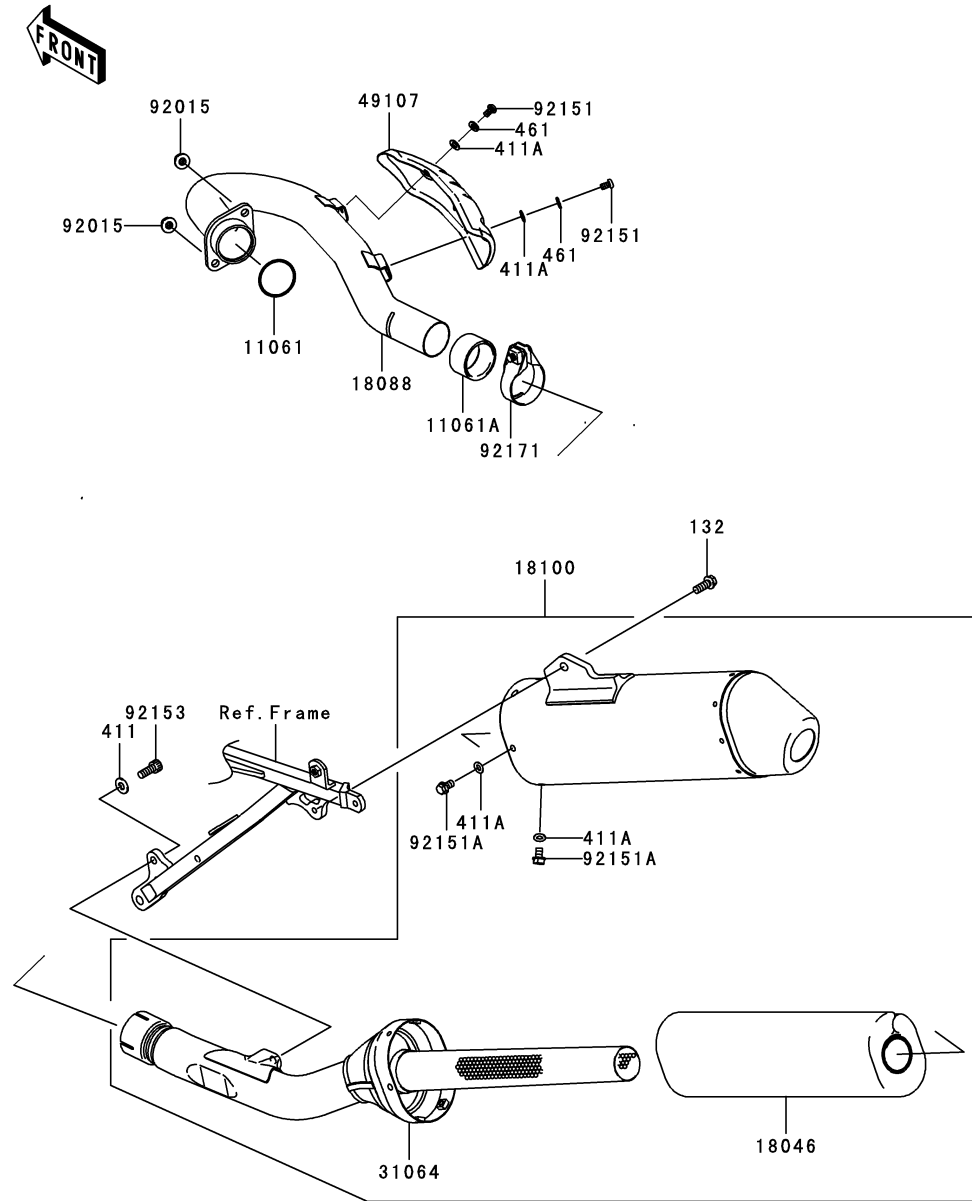
GRID NO. **B-7** This grid covers:
Muffler(s)(AS)

E1140



Ref. No.	Part No.	Description	Spec Code	Quantity-KX450			
				'08			
11061	11061-0082	GASKET,38.9X46.4X3.0					
		L-----	AS	1			
11061A	11061-0226	GASKET,41.0X48.7X32.0					
		L-----	AS	1			
18046	18046-0081	WOOL					
		L-----	AS	1			
18088	18088-0356	PIPE-EXHAUST					
		L-----	AS	1			
18100	18100-0077	BODY-ASSY-MUFFLER					
		L-----	AS	1			
31064	31064-0128	PIPE-COMP					
		L-----	AS	1			
49107	49107-0077	COVER-EXHAUST PIPE					
		L-----	AS	1			
92015	92015-1402	NUT,8MM					
		L-----	AS	2			
92151	92151-1449	BOLT,SOCKET,6X10					
		L-----	AS	2			
92151A	92151-1822	BOLT,FLANGED,6X10					
		L-----	AS	4			
92153	92153-1963	BOLT,FLANGED-SMALL,8X18					
		L-----	AS	1			
92171	92171-0653	CLAMP					
		L-----	AS	1			
132	132L0818	BOLT-FLANGED-SMALL,8X18					
		L-----	AS	1			
411	411AB0800	WASHER-PLAIN,8.5X18X1.6					
		L-----	AS	1			
411A	411S0600	WASHER-PLAIN,6MM					
		L-----	AS	2			
461	461S0600	WASHER-SPRING,6MM					
		L-----	AS	2			

E1140A



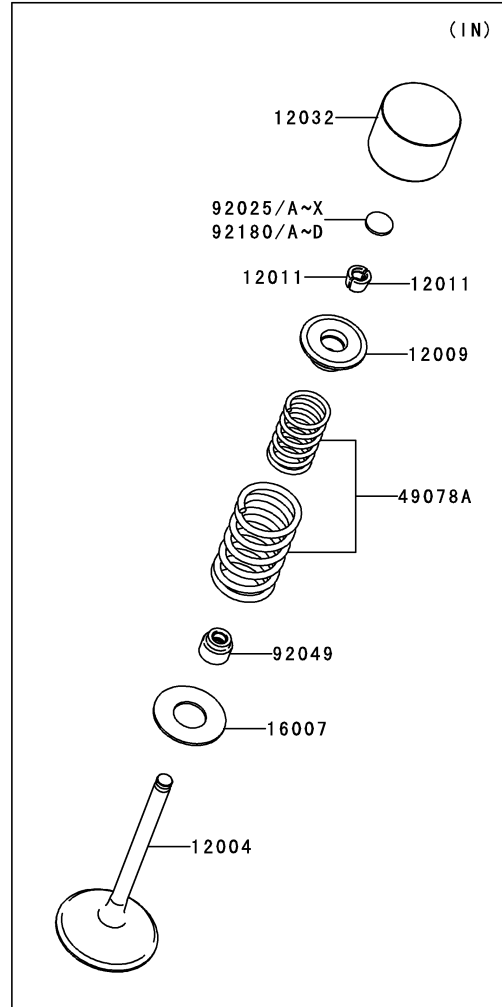
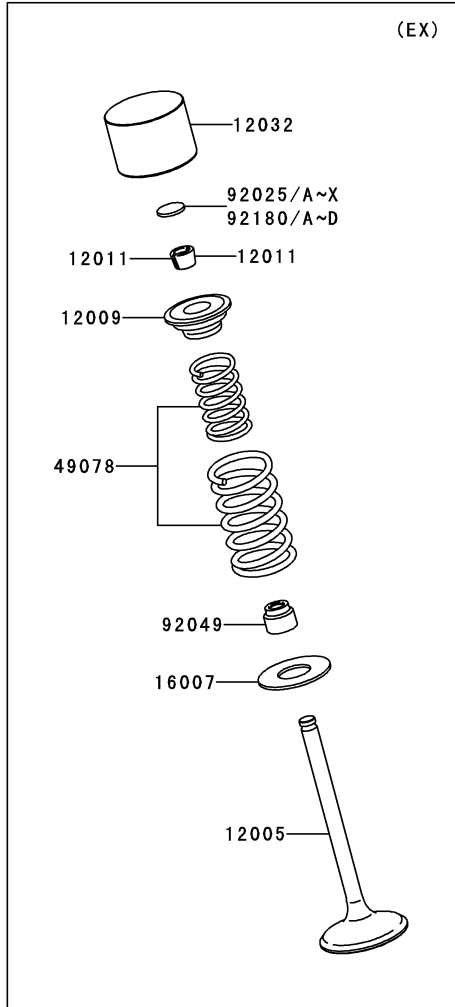
Ref. No.	Part No.	Description	Spec Code	Quantity-KX450		
				'08	D8F	
11061	11061-0082	GASKET,38.9X46.4X3.0				
		L-----	EU			1
11061A	11061-0226	GASKET,41.0X48.7X32.0				
		L-----	EU			1
18046	18046-0097	WOOL				
		L-----	EU			1
18088	18088-0356	PIPE-EXHAUST				
		L-----	EU			1
18100	18100-0076	BODY-ASSY-MUFFLER				
		L-----	EU			1
31064	31064-0127	PIPE-COMP				
		L-----	EU			1
49107	49107-0077	COVER-EXHAUST PIPE				
		L-----	EU			1
92015	92015-1402	NUT,8MM				
		L-----	EU			2
92151	92151-1449	BOLT,SOCKET,6X10				
		L-----	EU			2
92151A	92151-1822	BOLT,FLANGED,6X10				
		L-----	EU			6
92153	92153-1963	BOLT,FLANGED-SMALL,8X18				
		L-----	EU			1
92171	92171-0653	CLAMP				
		L-----	EU			1
132	132L0818	BOLT-FLANGED-SMALL,8X18				
		L-----	EU			1
411	411AB0800	WASHER-PLAIN,8.5X18X1.6				
		L-----	EU			1
411A	411S0600	WASHER-PLAIN,6MM				
		L-----	EU			8
461	461S0600	WASHER-SPRING,6MM				
		L-----	EU			2

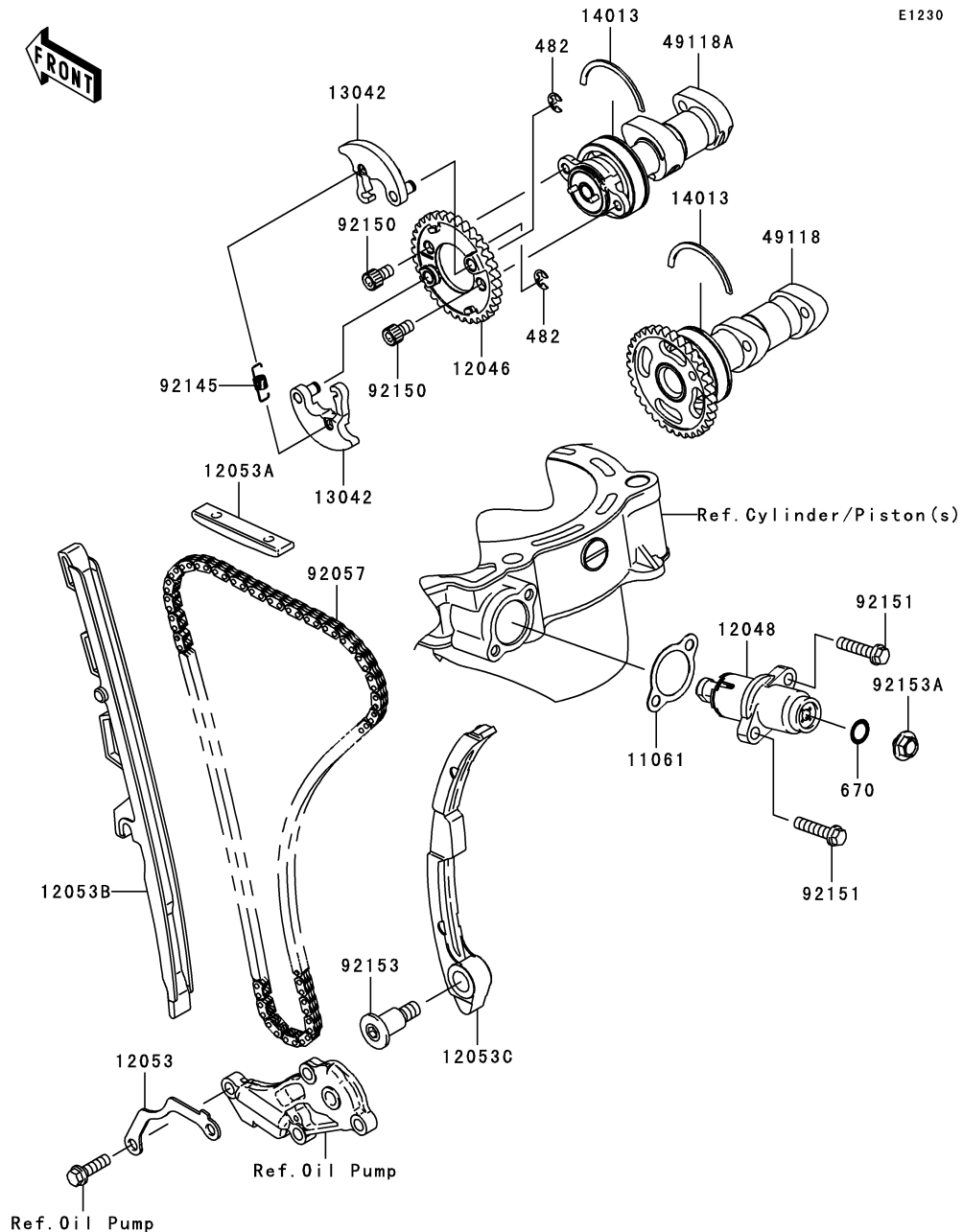
E1210



Ref. No.	Part No.	Description	Spec Code	Quantity-KX450			
				'08			
				D8F			

12004	12004-0018	VALVE-INTAKE		2
12005	12005-0036	VALVE-EXHAUST		2
12009	12009-0008	RETAINER-VALVE SPRING		4
12011	12011-1003	COLLET		8
12032	12032-0004	TAPPET		4
16007	16007-0022	SEAT-SPRING,11.6X25.5X1.0		4
49078	49078-0018	SPRING-ENGINE VALVE,EXHAUST		2
49078A	49078-0043	SPRING-ENGINE VALVE,INTAKE		2
92025	92025-1870	SHIM,T=2.00		4
92025A	92025-1871	SHIM,T=2.05	AR	
92025B	92025-1872	SHIM,T=2.10	AR	
92025C	92025-1873	SHIM,T=2.15	AR	
92025D	92025-1874	SHIM,T=2.20	AR	
92025E	92025-1875	SHIM,T=2.25	AR	
92025F	92025-1876	SHIM,T=2.30	AR	
92025G	92025-1877	SHIM,T=2.35	AR	
92025H	92025-1878	SHIM,T=2.40	AR	
92025I	92025-1879	SHIM,T=2.45	AR	
92025J	92025-1880	SHIM,T=2.50	AR	
92025K	92025-1881	SHIM,T=2.55	AR	
92025L	92025-1882	SHIM,T=2.60	AR	
92025M	92025-1883	SHIM,T=2.65	AR	
92025N	92025-1884	SHIM,T=2.70	AR	
92025O	92025-1885	SHIM,T=2.75	AR	
92025P	92025-1886	SHIM,T=2.80	AR	
92025Q	92025-1887	SHIM,T=2.85	AR	
92025R	92025-1888	SHIM,T=2.90	AR	
92025S	92025-1889	SHIM,T=2.95	AR	
92025T	92025-1890	SHIM,T=3.00	AR	
92025U	92025-1982	SHIM,T=2.425	AR	
92025V	92025-1983	SHIM,T=2.475	AR	
92025W	92025-1984	SHIM,T=2.525	AR	
92025X	92025-1985	SHIM,T=2.575	AR	
92049	92049-1062	SEAL-OIL,RVC2-5.5X8.5X8.3		4
92180	92180-1058	SHIM,T=2.375	AR	
92180A	92180-1059	SHIM,T=2.625	AR	
92180B	92180-1194	SHIM,T=2.675	AR	
92180C	92180-1195	SHIM,T=2.725	AR	
92180D	92180-1196	SHIM,T=2.775	AR	

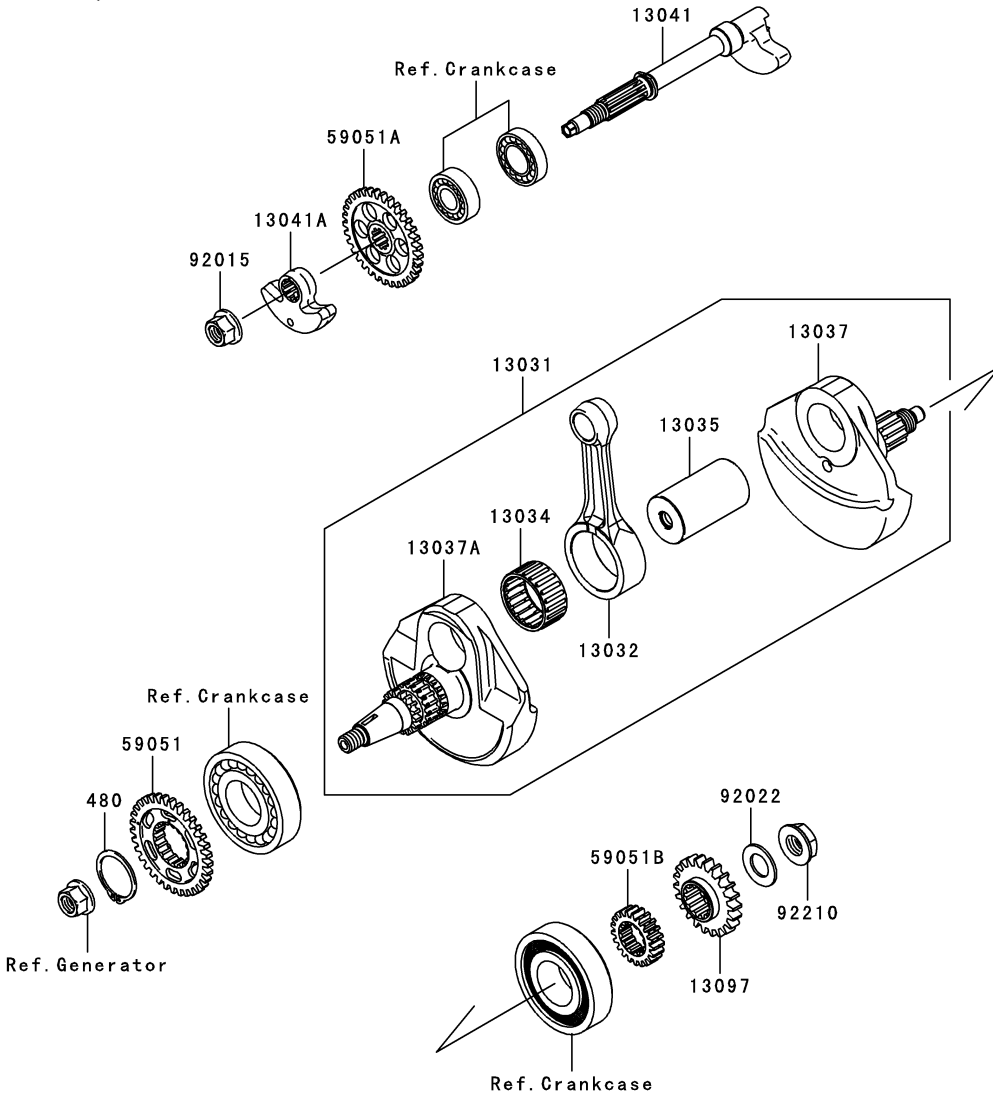




E1230

Ref. No.	Part No.	Description	Spec Code	Quantity-KX450		
				'08		
11061	11061-0260	GASKET		1		
12046	12046-0043	SPROCKET,34T		1		
12048	12048-0021	TENSIONER-ASSY		1		
12053	12053-0031	GUIDE-CHAIN,CAM CHAIN STOPPER		1		
12053A	12053-0051	GUIDE-CHAIN,UPP		1		
12053B	12053-0064	GUIDE-CHAIN,FR		1		
12053C	12053-0065	GUIDE-CHAIN,RR		1		
13042	13042-0005	WEIGHT		2		
14013	14013-0001	RING-POSITION		2		
49118	49118-0087	CAMSHAFT-COMP,INTAKE		1		
49118A	49118-0088	CAMSHAFT-COMP,EXHAUST		1		
92057	92057-0035	CHAIN,98XRH2010-124M		1		
92145	92145-0390	SPRING		1		
92150	92150-1650	BOLT,SOCKET,6X10		2		
92151	92151-1930	BOLT,FLANGED-SMALL,6X25		2		
92153	92153-0717	BOLT,8X29.5		1		
92153A	92153-1380	BOLT,6X6		1		
482	482J5000	CIRCLIP-TYPE-E		2		
670	670D2010	O RING		1		

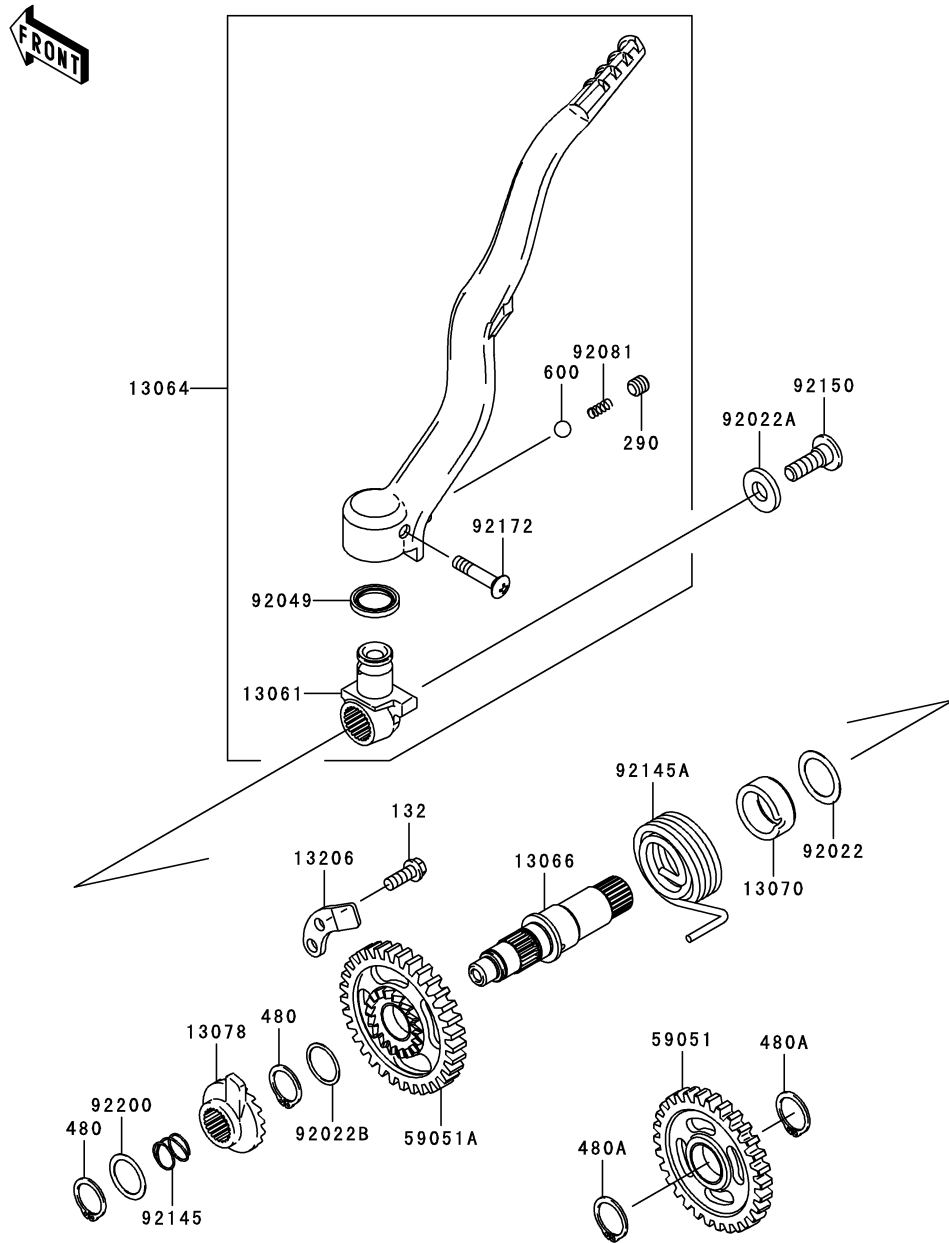
E1321



Ref. No.	Part No.	Description	Spec Code	Quantity-KX450		
				'08		
			D8F			
13031	13031-0096	CRANKSHAFT-COMP				1
13032	13032-0064	ROD-CONNECTING,RED				1
13034	13034-0006	BEARING-BIG END,B4				1
13035	13035-0013	PIN-CRANK				1
13037	13037-0111	CRANKSHAFT,RH				1
13037A	13037-0131	CRANKSHAFT,LH				1
13041	13041-0022	BALANCER,SHAFT				1
13041A	13041-0023	BALANCER,WEIGHT				1
13097	13097-0013	GEAR-PRIMARY SPUR,22T				1
59051	59051-0070	GEAR-SPUR,BALANCER DRIVE,33T				1
59051A	59051-0071	GEAR-SPUR,BALANCER DRIVEN,33T				1
59051B	59051-0075	GEAR-SPUR,OIL PUMP DRIVE,21T				1
92015	92015-1156	NUT,FLANGED,12MM				1
92022	92022-1356	WASHER,16.3X29X1.75				1
92210	92210-0350	NUT,LEFT HANDED,16MM				1
480	480J3200	CIRCLIP-TYPE-C,32MM				1

E1340

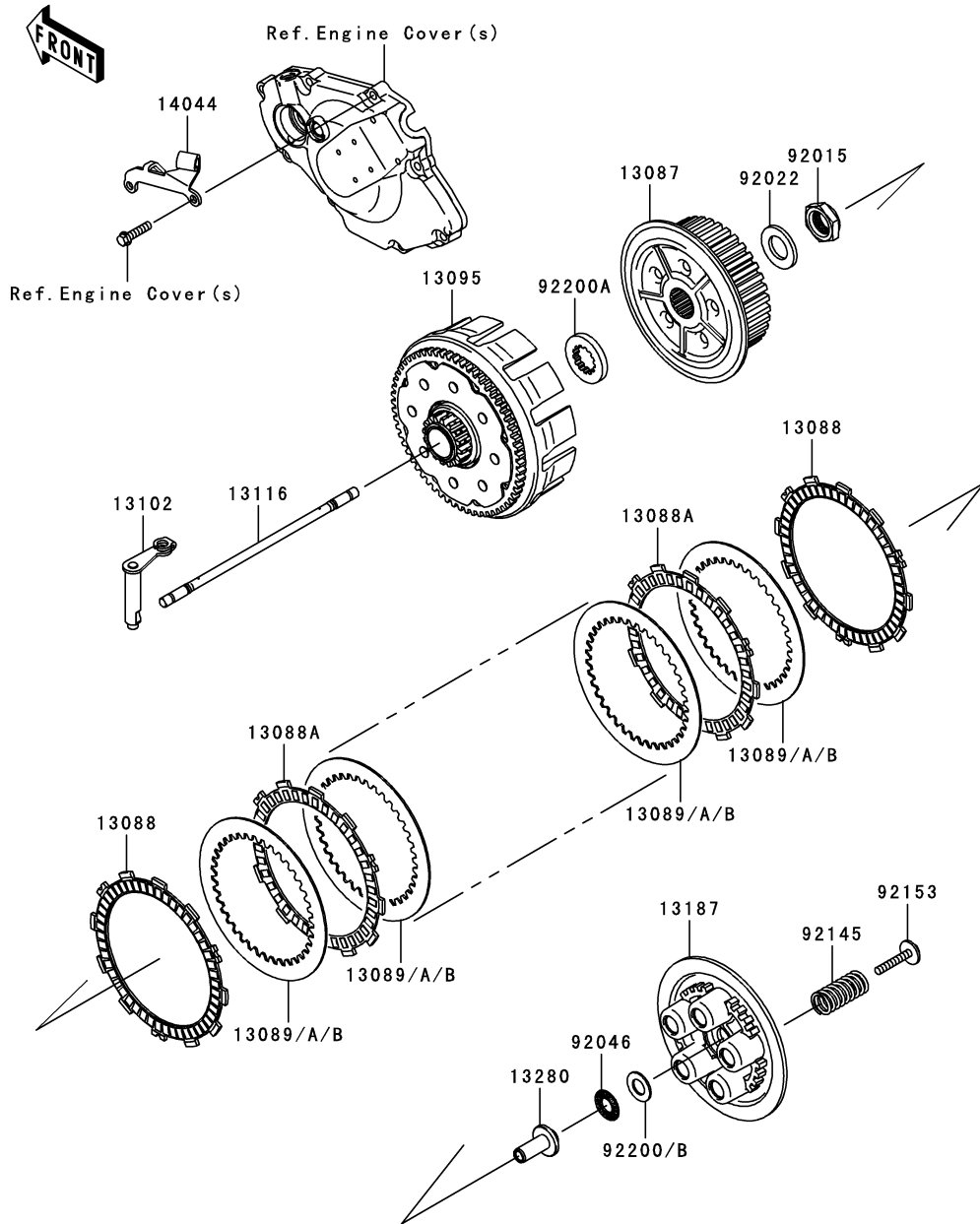
Ref. No.	Part No.	Description	Spec Code	Quantity-KX450			
				'08			
13061	13061-0146	BOSS				1	
13064	13064-0051	LEVER-ASSY-KICK				1	
13066	13066-0008	SHAFT-KICK				1	
13070	13070-1378	GUIDE,KICK SPRING				1	
13078	13078-0008	RATCHET				1	
13206	13206-0005	GUIDE-KICK				1	
59051	59051-0030	GEAR-SPUR,30T				1	
59051A	59051-0046	GEAR-SPUR,33T				1	
92022	92022-1885	WASHER,20.3X28.0X0.5				1	
92022A	92022-1944	WASHER,10X22X3.2				1	
92022B	92022-271	WASHER,18.3X22X0.5				1	
92049	92049-1387	SEAL-OIL,KICK PEDAL				1	
92081	92081-020	SPRING,KICK PEDAL				1	
92145	92145-0162	SPRING				1	
92145A	92145-0297	SPRING,RETURN				1	
92150	92150-1858	BOLT,8X25				1	
92172	92172-1088	SCREW,6X30				1	
92200	92200-0075	WASHER,18.3X24X0.5				1	
132	132BA0616	BOLT-FLANGED-SMALL,6X16				1	
290	290CA0808	SCREW-SET-SOCKET,8X8				1	
480	480J1800	CIRCLIP-TYPE-C,18MM				2	
480A	480J1900	CIRCLIP-TYPE-C,19MM				2	
600	600A0800	BALL-STEEL,1/4"				1	



This catalog covers:
'08 KX450D8F Engine

GRID NO. **B-13** This grid covers:
Clutch

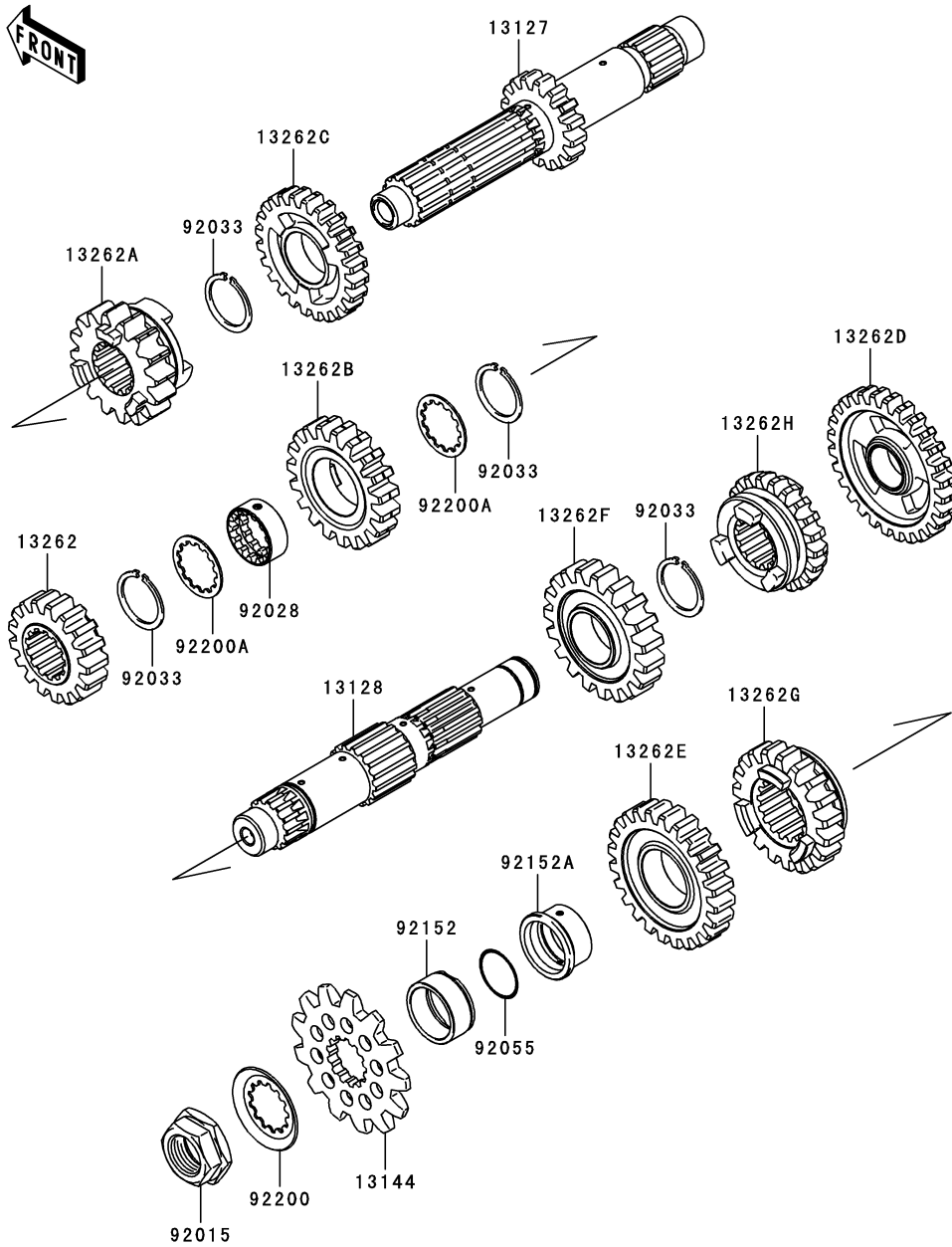
E1350



Ref. No.	Part No.	Description	Spec Code	Quantity-KX450	
				'08	D8F
13087	13087-0015	HUB-CLUTCH			1
13088	13088-0010	PLATE-FRICTION			2
13088A	13088-0012	PLATE-FRICTION			6
13089	13089-1005	PLATE-CLUTCH,T=2.0			AR
13089A	13089-1010	PLATE-CLUTCH,T=1.2			AR
13089B	13089-1095	PLATE-CLUTCH,T=1.6			7
13095	13095-0052	HOUSING-COMP-CLUTCH			1
13102	13102-0022	RELEASE-COMP-CLUTCH			1
13116	13116-0013	ROD-PUSH			1
13187	13187-0007	PLATE-CLUTCH OPERATING			1
13280	13280-0067	HOLDER			1
14044	14044-0014	HOLDER-CABLE,CLUTCH			1
92015	92015-1725	NUT,20MM			1
92022	92022-1868	WASHER,20.3X36X3.7			1
92046	92046-1190	BEARING-NEEDLE,FNTA-1326			1
92145	92145-0370	SPRING,CLUTCH			5
92153	92153-1876	BOLT,WP,6X35			5
92200	92200-0045	WASHER,13.4X25X1.0			AR
92200A	92200-0245	WASHER,25X41X5.5			1
92200B	92200-1548	WASHER,13.4X25.0X1.5			1

E1361

Ref. No.	Part No.	Description	Spec Code	Quantity-KX450			
				'08			
				D8F			
13127	13127-0046	SHAFT-TRANSMISSION INPUT,16T					1
13128	13128-0033	SHAFT-TRANSMISSION OUTPUT					1
13144	13144-0017	SPROCKET-OUTPUT,13T					1
13262	13262-0390	GEAR,INPUT 2ND,17T					1
13262A	13262-0391	GEAR,INPUT 3RD,16T					1
13262B	13262-0392	GEAR,INPUT 4TH,19T					1
13262C	13262-0393	GEAR,INPUT 5TH,24T					1
13262D	13262-0394	GEAR,OUTPUT LOW,28T					1
13262E	13262-0395	GEAR,OUTPUT 2ND,24T					1
13262F	13262-0396	GEAR,OUTPUT 3RD,19T					1
13262G	13262-0397	GEAR,OUTPUT 4TH,19T					1
13262H	13262-0398	GEAR,OUTPUT 5TH,21T					1
92015	92015-1963	NUT,20MM					1
92028	92028-1857	BUSHING,INPUT TOP GEAR					1
92033	92033-1172	RING-SNAP,25MM					4
92055	92055-1293	RING-O,21.5X1.5					1
92152	92152-0150	COLLAR,25X30X13.2					1
92152A	92152-0540	COLLAR					1
92200	92200-1065	WASHER					1
92200A	92200-1389	WASHER					2



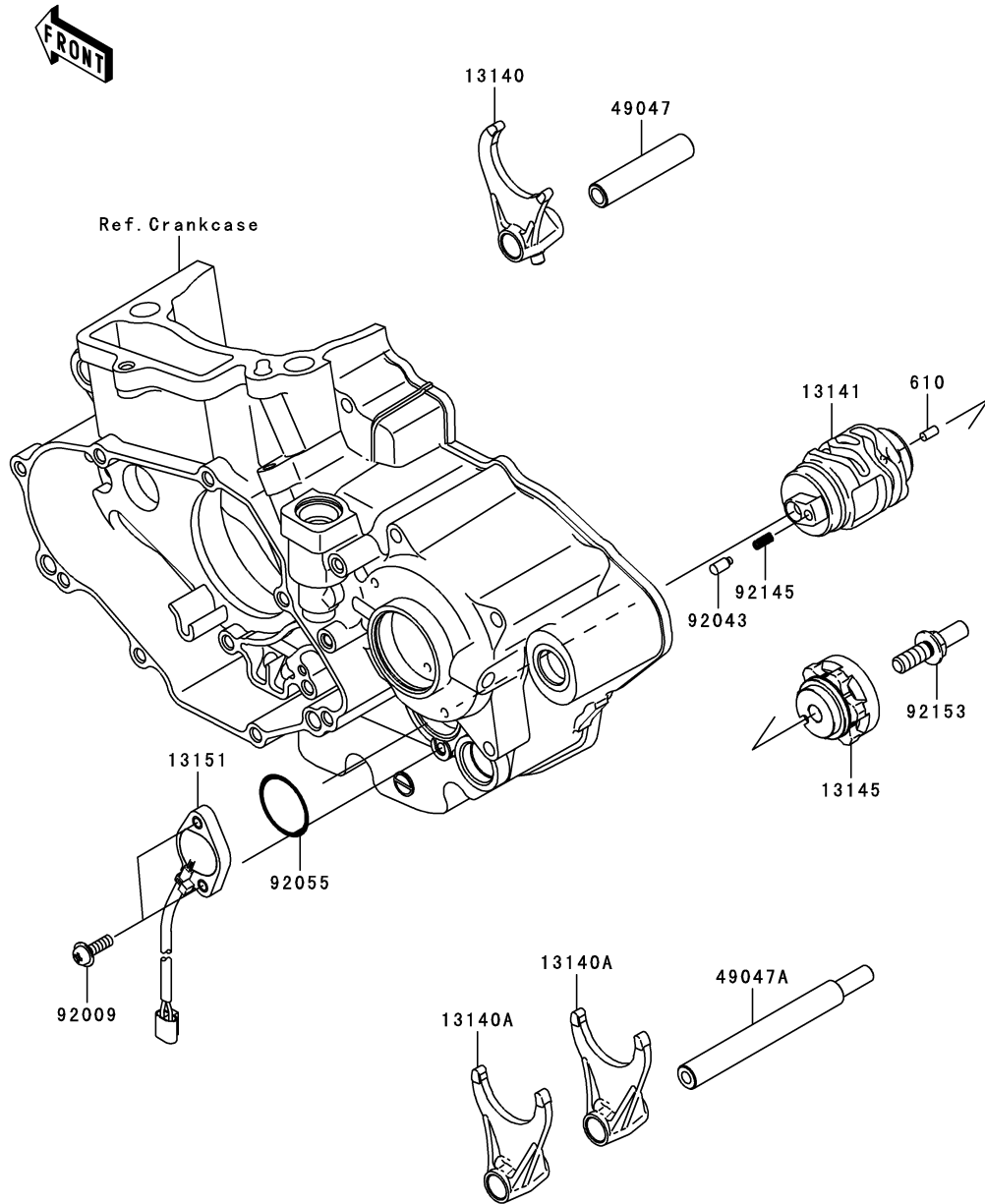
This catalog covers:
'08 KX450D8F Engine

GRID NO.

C-3

This grid covers:
Gear Change Drum/Shift Fork(s)

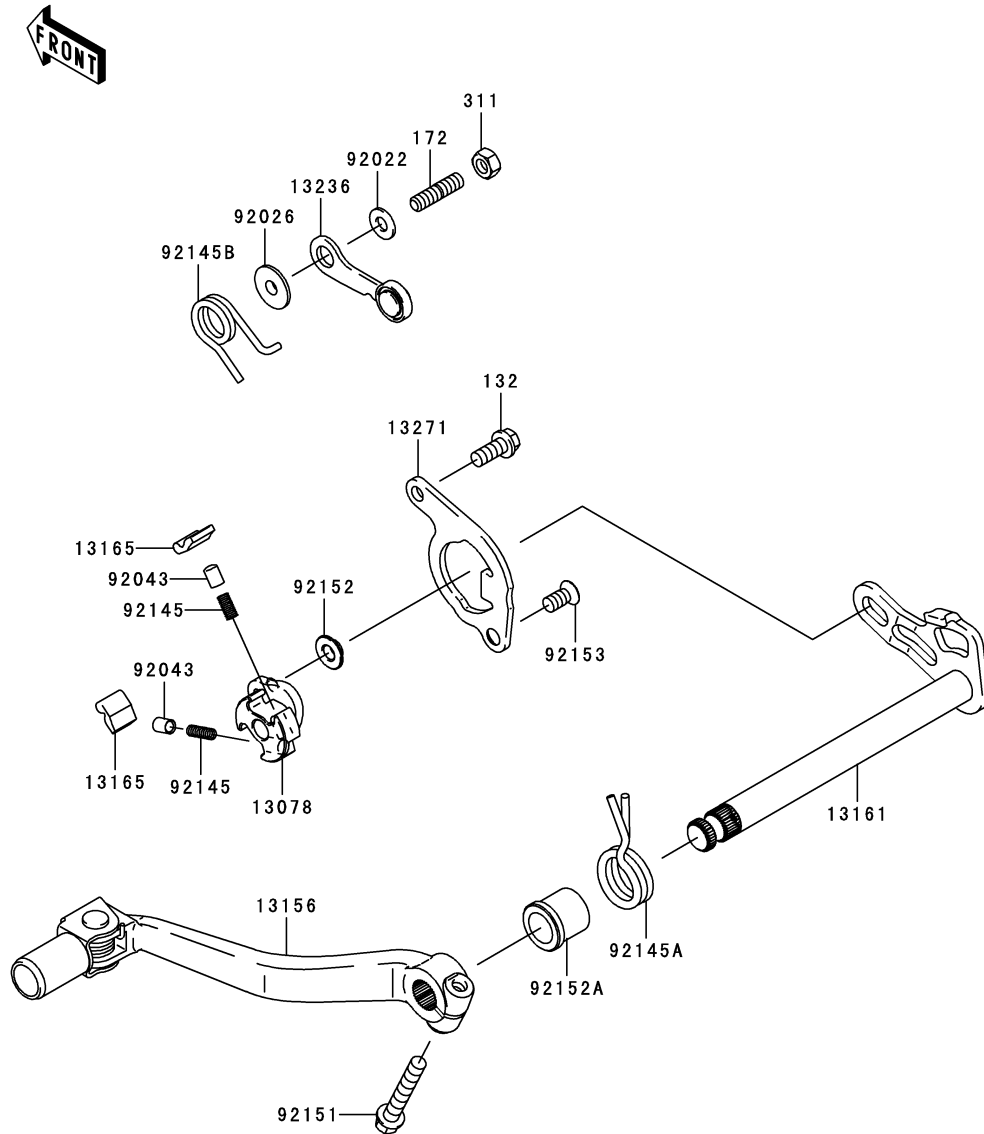
E1362



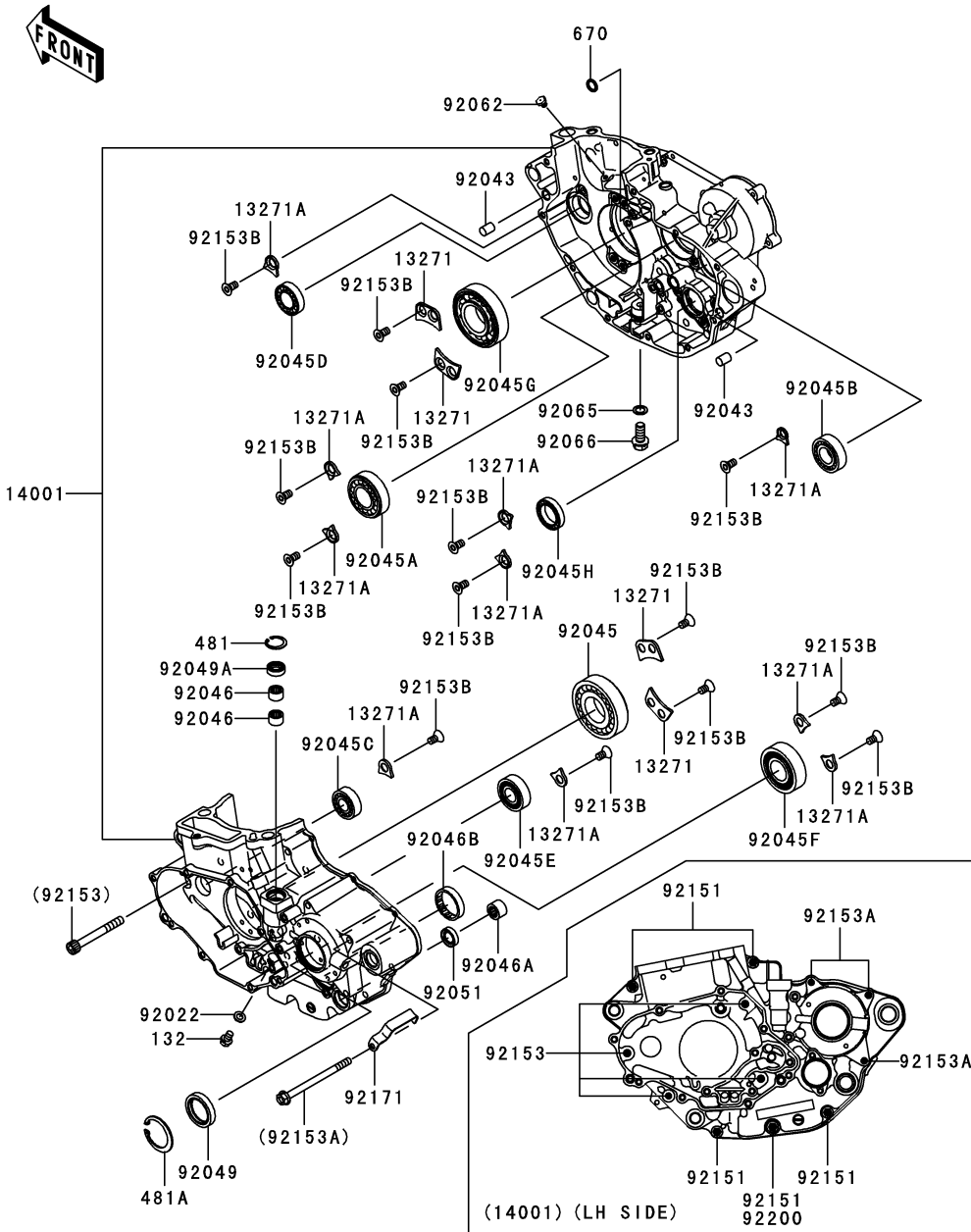
Ref. No.	Part No.	Description	Spec Code	Quantity-KX450	
				'08	D8F
13140	13140-0043	FORK-SHIFT,IN		1	
13140A	13140-0044	FORK-SHIFT,OUT		2	
13141	13141-0029	DRUM-CHANGE		1	
13145	13145-0031	CAM-CHANGE DRUM		1	
13151	13151-0008	SWITCH-COMP,NEUTRAL		1	
49047	49047-0017	ROD-SHIFT,IN		1	
49047A	49047-0028	ROD-SHIFT,OUT		1	
92009	92009-1571	SCREW,5X16		2	
92043	92043-1654	PIN		1	
92055	92055-091	RING-O		1	
92145	92145-1414	SPRING		1	
92153	92153-0530	BOLT,8X20		1	
610	610A0408	ROLLER,4X8		1	

E1370

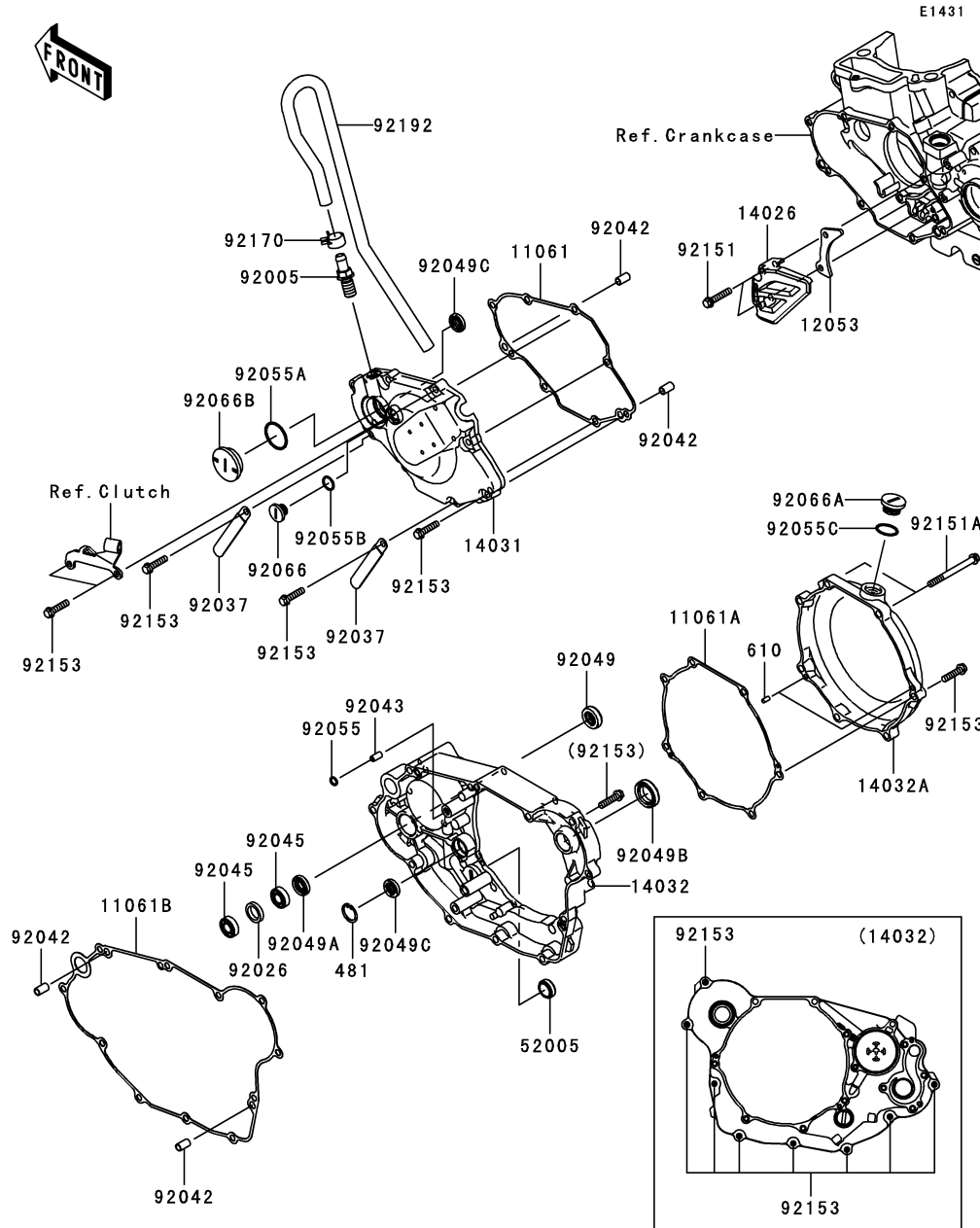
Ref. No.	Part No.	Description	Spec Code	Quantity-KX450			
				'08			
				D8F			
13078	13078-0012	RATCHET				1	
13156	13156-0084	LEVER-CHANGE				1	
13161	13161-0045	LEVER-COMP-CHANGE SHAFT				1	
13165	13165-0017	PAWL				2	
13236	13236-0129	LEVER-COMP,POSITION				1	
13271	13271-0893	PLATE,PAWL GUIDE				1	
92022	92022-1827	WASHER,6X12.8X1.2				1	
92026	92026-1217	SPACER				1	
92043	92043-1676	PIN,PLUNGER				2	
92145	92145-0453	SPRING				2	
92145A	92145-0496	SPRING,RETURN				1	
92145B	92145-0497	SPRING,POSITION LEVER				1	
92151	92151-1930	BOLT,FLANGED-SMALL,6X25				1	
92152	92152-1414	COLLAR				1	
92152A	92152-1419	COLLAR,RETURN SPRING				1	
92153	92153-1669	BOLT,TORX,6X8.7				1	
132	132BA0614	BOLT-FLANGED-SMALL,6X14				1	
172	172G0612	BOLT-STUD,6X12				1	
311	311G0600	NUT-HEX,6MM				1	



E1411



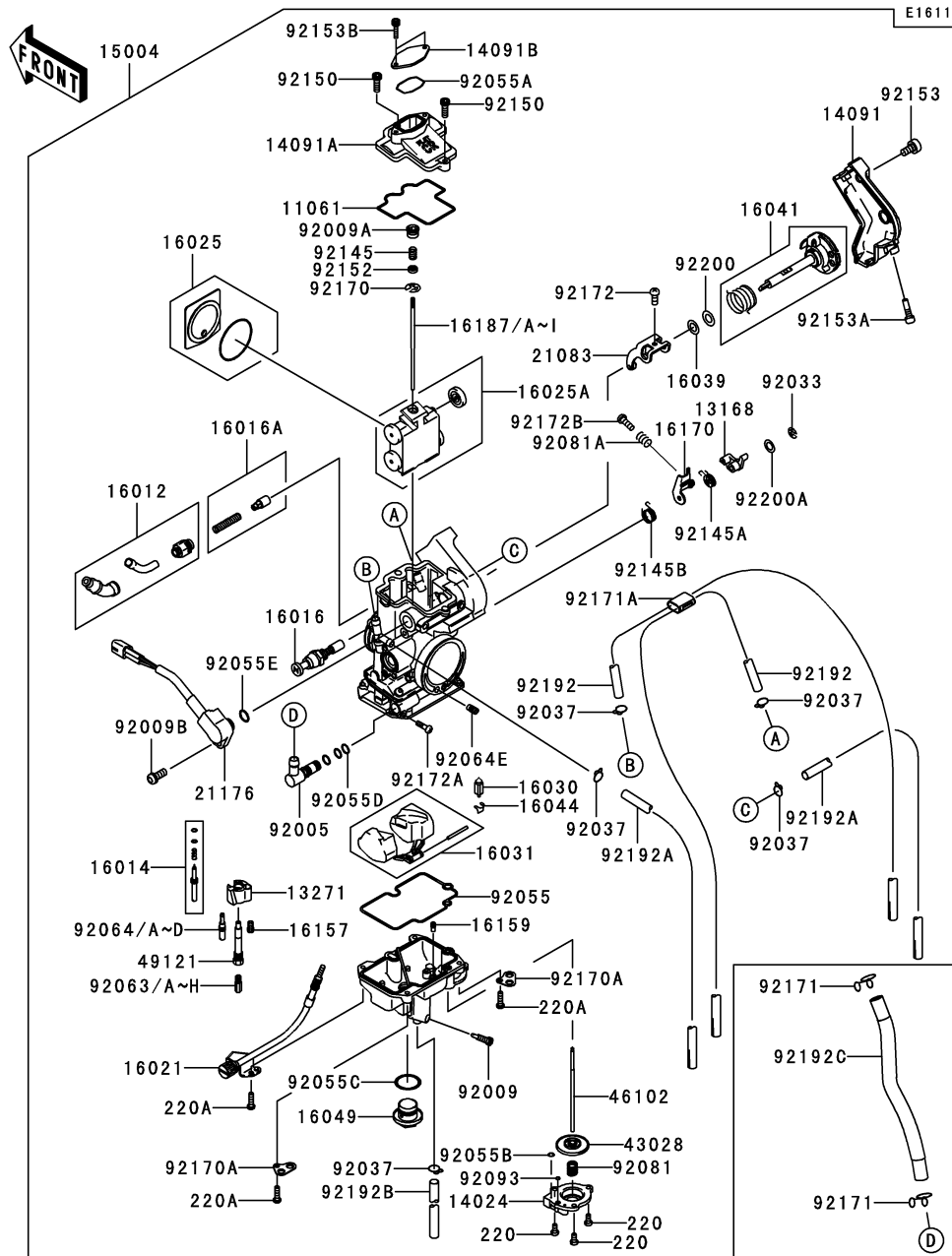
Ref. No.	Part No.	Description	Spec Code	Quantity-KX450			
				'08	D8F		
13271	13271-0334	PLATE					4
13271A	13271-0345	PLATE					10
14001	14001-0110	SET-CRANKCASE					1
92022	92022-304	WASHER,6.2X11X1					1
92043	92043-1506	PIN,10X14					2
92045	92045-0024	BEARING-BALL,B32-32U-A-EC4 UR5					1
92045A	92045-0035	BEARING-BALL,25X52X15					1
92045B	92045-0036	BEARING-BALL,20X42X12					1
92045C	92045-0037	BEARING-BALL,6202SH2C3					1
92045D	92045-0038	BEARING-BALL,6904C3UR5					1
92045E	92045-0057	BEARING-BALL,3TM-5X0391LUC3					1
92045F	92045-0062	BEARING-BALL					1
92045G	92045-0074	BEARING-BALL,B32-32-A-ZEC4					1
92045H	92045-1432	BEARING-BALL,6805JRZ					1
92046	92046-1010	BEARING-NEEDLE,HK1210					2
92046A	92046-1148	BEARING-NEEDLE,HK1312					1
92046B	92046-1221	BEARING-NEEDLE,7E-HKS33X38X8					1
92049	92049-0030	SEAL-OIL,TC 30 40 7					1
92049A	92049-1475	SEAL-OIL,CLUTCH RELEASE					1
92051	92051-005	SEAL-OIL,TB13225.5					1
92062	92062-0013	NOZZLE,6X7					1
92065	92065-058	GASKET,10.5X16X1					1
92066	92066-0038	PLUG,DRAIN,10X22					1
92151	92151-1545	BOLT,6X50					5
92153	92153-0846	BOLT,7X60					4
92153A	92153-0934	BOLT,FLANGED,6X85					3
92153B	92153-1669	BOLT,TORX,6X8.7					18
92171	92171-0579	CLAMP					1
92200	92200-0171	WASHER,6.3X13.5X1.0					1
132	132L0608	BOLT-FLANGED-SMALL,6X8					1
481	481J2100	CIRCLIP					1
481A	481J4000	CIRCLIP-TYPE-C,40MM					1
670	670D1507	O RING,7MM					1



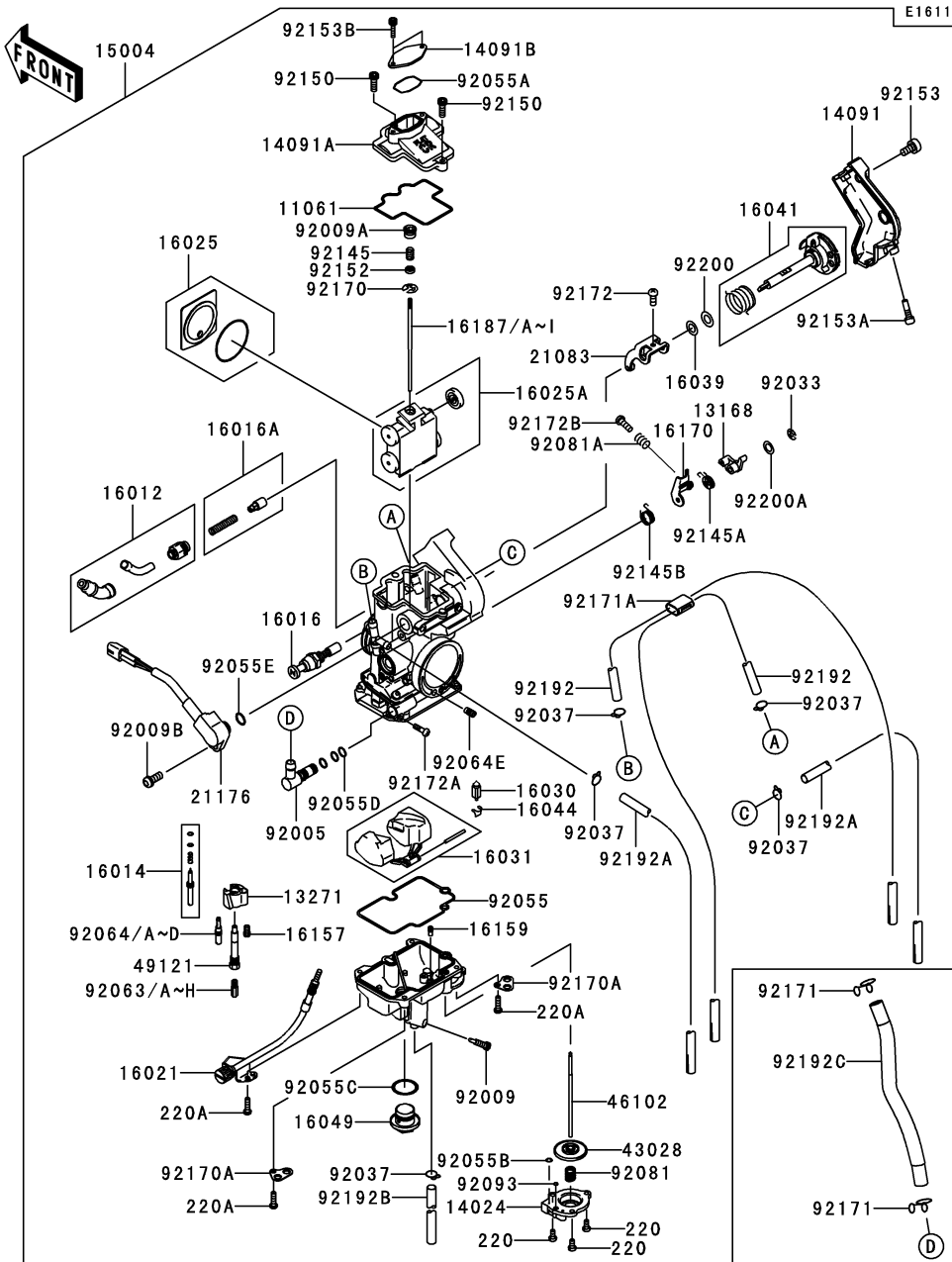
Ref. No.	Part No.	Description	Spec Code	Quantity-KX450	
				'08	D8F
11061	11061-0084	GASKET,GENERATOR COVER		1	
11061A	11061-0145	GASKET,CLUTCH COVER,OUTER		1	
11061B	11061-0224	GASKET,CLUTCH COVER,INNER		1	
12053	12053-0056	GUIDE-CHAIN		1	
14026	14026-0047	COVER-CHAIN		1	
14031	14031-0090	COVER-GENERATOR		1	
14032	14032-0062	COVER-CLUTCH,INNER		1	
14032A	14032-0101	COVER-CLUTCH,OUTER		1	
52005	52005-0019	GAUGE,OIL LEVEL		1	
92005	92005-0014	FITTING,BREATHER		1	
92026	92026-0064	SPACER,16X22X4.3		1	
92037	92037-1993	CLAMP		2	
92042	92042-007	PIN,DOWEL,6.3X8X14		4	
92043	92043-1262	PIN,4.2X6X12		1	
92045	92045-0039	BEARING-BALL,6900C3		2	
92049	92049-0040	SEAL-OIL		1	
92049A	92049-0041	SEAL-OIL		1	
92049B	92049-1541	SEAL-OIL		1	
92049C	92049-1542	SEAL-OIL		2	
92055	92055-0113	RING-O		1	
92055A	92055-091	RING-O		1	
92055B	92055-1011	RING-O,13.0X1.9		1	
92055C	92055-1146	RING-O,20X2		1	
92066	92066-0039	PLUG,12X9.1		1	
92066A	92066-0106	PLUG,OIL,18X9		1	
92066B	92066-1404	PLUG		1	
92151	92151-1134	BOLT,6X30		2	
92151A	92151-1199	BOLT,6X65		2	
92153	92153-1784	BOLT,FLANGED-SMALL,6X25		21	
92170	92170-1938	CLAMP		1	
92192	92192-0218	TUBE,BREATHER,L=491.4		1	
481	481J2000	CIRCLIP-TYPE-C,20MM		1	
610	610A0408	ROLLER,4X8		2	

This catalog covers:
'08 KX450D8F Engine

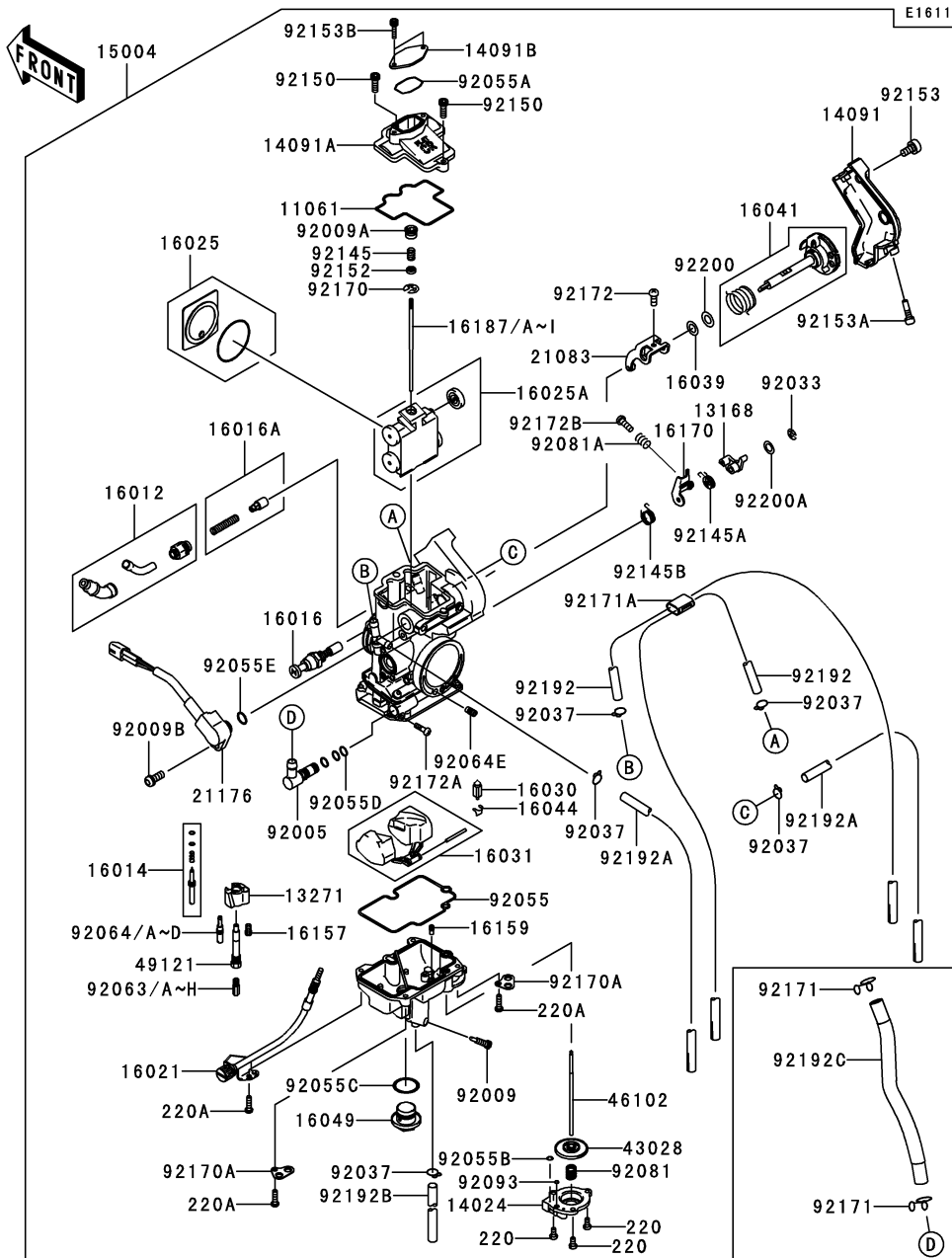
GRID NO. **C-7** This grid covers:
Carburetor(1/3)



Ref. No.	Part No.	Description	Spec Code	Quantity-KX450	
				'08	D8F
11061	11061-0077	GASKET		1	
13168	13168-0051	LEVER		1	
13271	13271-0241	PLATE		1	
14024	14024-1971	COVER		1	
14091	14091-0209	COVER		1	
14091A	14091-0587	COVER, TOP		1	
14091B	14091-0588	COVER		1	
15004	15004-0011	CARBURETOR-ASSY,FCR-MX40		1	
16012	16012-0002	CAP-STARTER PLUNGER		1	
16014	16014-0004	SCREW-PILOT AIR		1	
16016	16016-0009	PLUNGER		1	
16016A	16016-0017	PLUNGER		1	
16021	16021-0013	SCREW-THROTTLE STOP		1	
16025	16025-0009	VALVE-THROTTLE		1	
16025A	16025-0013	VALVE-THROTTLE		1	
16030	16030-1057	VALVE-FLOAT		1	
16031	16031-1100	FLOAT		1	
16039	16039-0230	WASHER		1	
16041	16041-0004	SHAFT-CARBURETOR		1	
16044	16044-007	CLAMP,FLOAT VALVE		1	
16049	16049-1051	COVER-MAIN JET		1	
16157	16157-0003	JET-STARTER		1	
16159	16159-0004	JET-POWER,#70		1	
16170	16170-0003	LINK-ASSY		1	
16187	16187-0188	NEEDLE-JET,NCYP		AR	
	(OPTION)				
16187A	16187-0189	NEEDLE-JET,NCYQ		AR	
	(OPTION)				
16187B	16187-0190	NEEDLE-JET,NCYR		AR	
	(OPTION)				
16187C	16187-0191	NEEDLE-JET,NCYS		AR	
	(OPTION)				
16187D	16187-0192	NEEDLE-JET,NCYT		AR	
	(OPTION)				
16187E	16187-0212	NEEDLE-JET,NCVP		AR	
	(OPTION)				
16187F	16187-0213	NEEDLE-JET,NCVQ		AR	
	(OPTION)				
16187G	16187-0214	NEEDLE-JET,NCVR		1	
16187H	16187-0215	NEEDLE-JET,NCVS		AR	
	(OPTION)				



Ref. No.	Part No.	Description	Spec Code	Quantity-KX450	
				'08	D8F
16187I	16187-0216 (OPTION)	NEEDLE-JET,NCVT			AR
21083	21083-0035	ARM			1
21176	21176-0016	SENSOR,THROTTLE			1
43028	43028-0006	DIAPHRAGM			1
46102	46102-0033	ROD			1
49121	49121-0001	NOZZLE-MAIN			1
92005	92005-0016	FITTING			1
92009	92009-1551	SCREW,DRAIN,6X0.75			1
92009A	92009-1876	SCREW			1
92009B	92009-1981	SCREW,THROTTLE SENSOR			1
92033	92033-0018	RING-SNAP			1
92037	92037-1396	CLAMP,TUBE			5
92055	92055-0066	RING-O,FLOAT CHAMBER			1
92055A	92055-0109	RING-O			1
92055B	92055-1004	RING-O			1
92055C	92055-1167	RING-O,MAIN JET COVER			1
92055D	92055-1223	RING-O			3
92055E	92055-1671	RING-O			1
92063	92063-1370	JET-MAIN,#165			AR
92063A	92063-1371 (OPTION)	JET-MAIN,#168			AR
92063B	92063-1372 (OPTION)	JET-MAIN,#170			AR
92063C	92063-1373 (OPTION)	JET-MAIN,#172			AR
92063D	92063-1374	JET-MAIN,#175			1
92063E	92063-1375 (OPTION)	JET-MAIN,#178			AR
92063F	92063-1376 (OPTION)	JET-MAIN,#180			AR
92063G	92063-1377 (OPTION)	JET-MAIN,#182			AR
92063H	92063-1378 (OPTION)	JET-MAIN,#185			AR
92064	92064-1139 (OPTION)	JET-PILOT,#38			AR
92064A	92064-1140 (OPTION)	JET-PILOT,#40			AR
92064B	92064-1141	JET-PILOT,#42			1

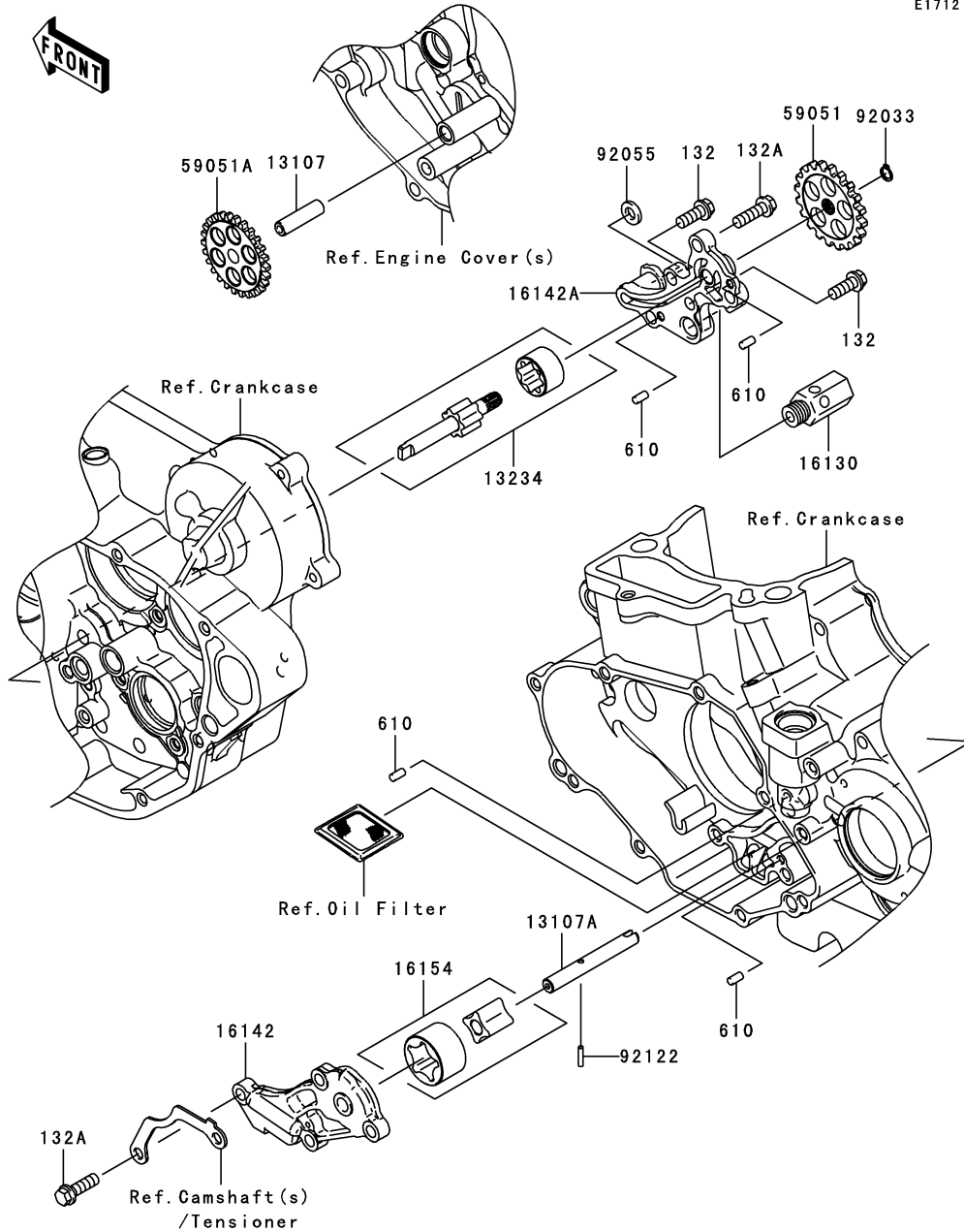


Ref. No.	Part No.	Description	Spec Code	Quantity-KX450	
				'08	D8F
92064C	92064-1142	JET-PILOT,#45			AR
	(OPTION)				
92064D	92064-1143	JET-PILOT,#48			AR
	(OPTION)				
92064E	92064-1160	JET-PILOT,#100			1
92081	92081-1092	SPRING,DIAPHRAGM			1
92081A	92081-1620	SPRING			1
92093	92093-1046	SEAL,"U"RING			1
92145	92145-0164	SPRING			1
92145A	92145-0166	SPRING			1
92145B	92145-0167	SPRING			1
92150	92150-1426	BOLT,SOCKET,4X12			2
92152	92152-0141	COLLAR			1
92153	92153-0639	BOLT			1
92153A	92153-1512	BOLT			1
92153B	92153-1513	BOLT			2
92170	92170-1204	CLAMP,JET NEEDLE			1
92170A	92170-1582	CLAMP			2
92171	92171-0149	CLAMP			2
92171A	92171-0246	CLAMP			1
92172	92172-0127	SCREW			1
92172A	92172-0128	SCREW			1
92172B	92172-0129	SCREW			1
92192	92192-0083	TUBE			2
92192A	92192-0084	TUBE			2
92192B	92192-0085	TUBE			1
92192C	92192-0219	TUBE,7X12X270,PROTECTOR(BLK)			1
92200	92200-0107	WASHER			1
92200A	92200-1434	WASHER, LINK ARM,STAINLESS			1
220	220D0408	SCREW-PAN-CROS,4X8			3
220A	220D0414	SCREW-PAN-CROS,4X14			4

This catalog covers:
'08 KX450D8F Engine

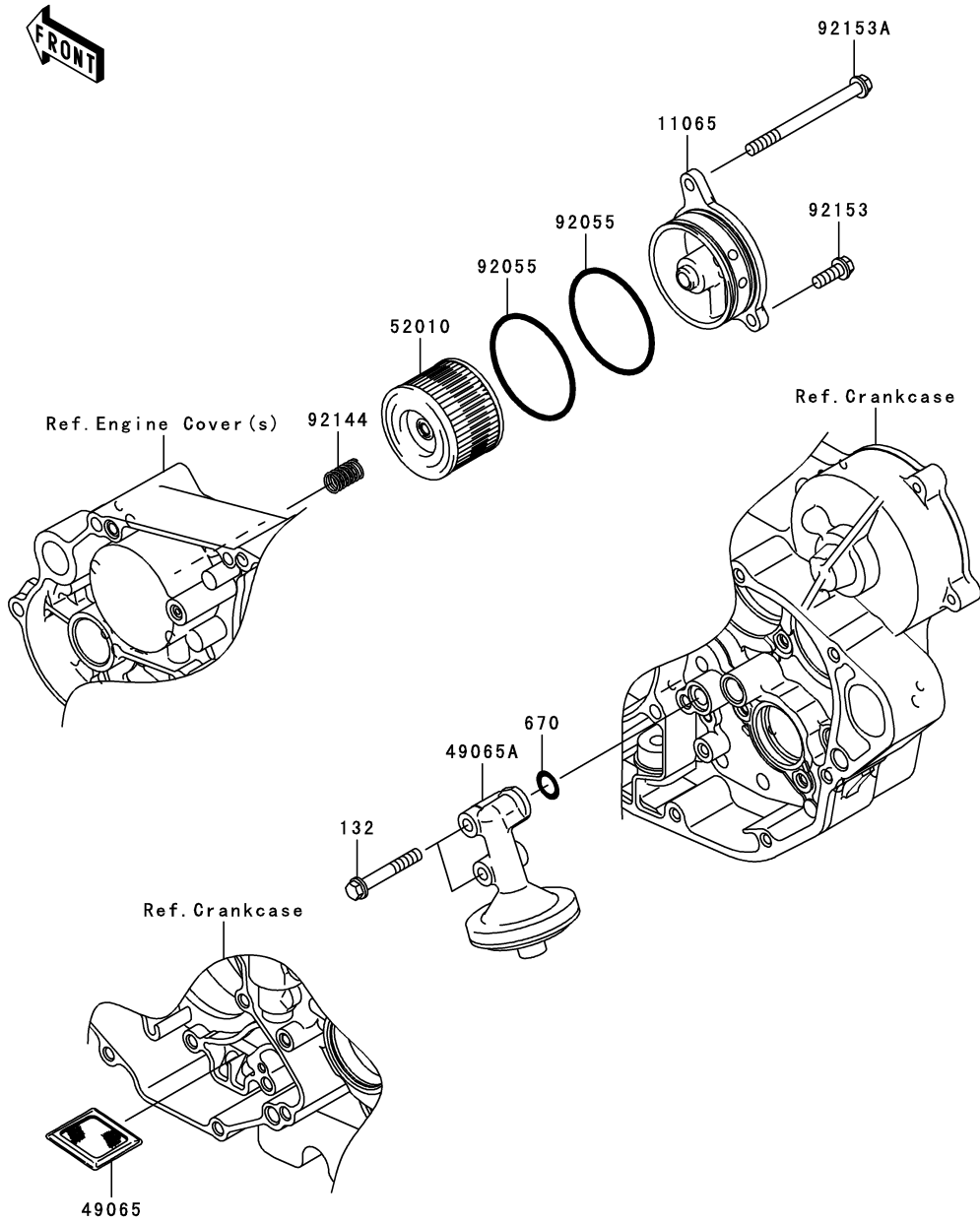
GRID NO. **C-10** This grid covers:
Oil Pump

E1712



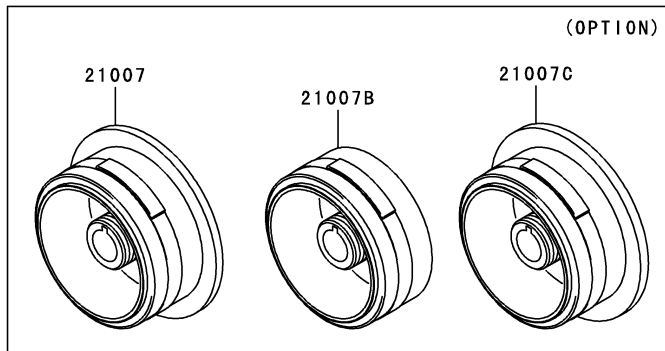
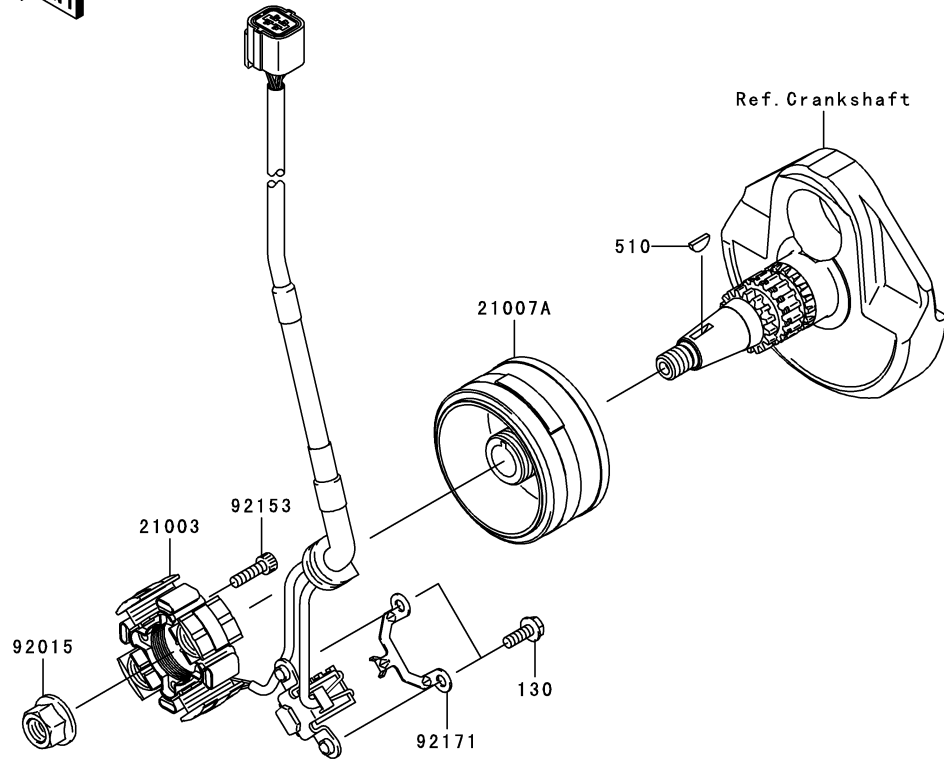
Ref. No.	Part No.	Description	Spec Code	Quantity-KX450		
				'08		
				D8F		
13107	13107-0056	SHAFT				1
13107A	13107-0134	SHAFT,OIL PUMP,SCAVENGE				1
13234	13234-0036	SHAFT-COMP,FEED				1
16130	16130-1058	VALVE-ASSY-RELIEF				1
16142	16142-0042	COVER-PUMP,OIL,LH				1
16142A	16142-0049	COVER-PUMP,OIL,RH				1
16154	16154-0069	ROTOR-PUMP,SCAVENGE				1
59051	59051-0044	GEAR-SPUR,O/P DRIVEN,28T				1
59051A	59051-0045	GEAR-SPUR,O/P IDLER,26T				1
92033	92033-0019	RING-SNAP				1
92055	92055-074	RING-O,OD=13				1
92122	92122-0021	ROLLER,2.5X11.8				1
132	132BA0616	BOLT-FLANGED-SMALL,6X16				2
132A	132BA0620	BOLT-FLANGED-SMALL,6X20				7
610	610A0408	ROLLER,4X8				4

E1720



Ref. No.	Part No.	Description	Spec Code	Quantity-KX450	
				'08	D8F
11065	11065-0107	CAP,OIL FILTER			1
49065	49065-0019	FILTER-OIL,STRAINER			1
49065A	49065-0022	FILTER-OIL			1
52010	52010-1053	ELEMENT-OIL FILTER			1
92055	92055-1577	RING-O,52.6X2.4			2
92144	92144-1761	SPRING			1
92153	92153-0695	BOLT,6X16			1
92153A	92153-0862	BOLT,6X75			1
132	132G0640	BOLT-FLANGED-SMALL,6X40			2
670	670D2010	O RING			1

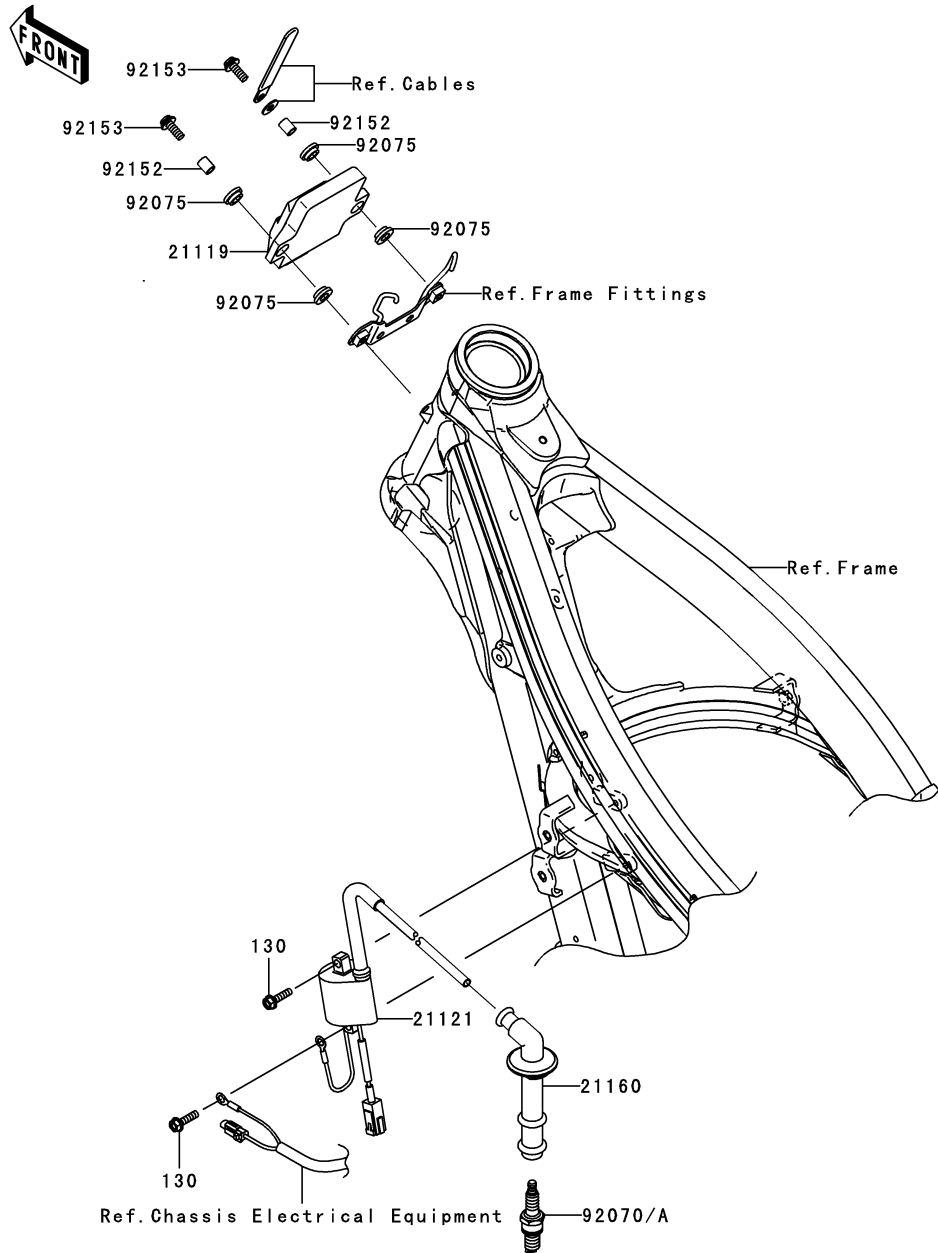
E1810



Ref. No.	Part No.	Description	Spec Code	Quantity-KX450			
				'08			
21003	21003-0075	STATOR				1	
21007	21007-0077	ROTOR,I=5.6				1	
	(OPTION)						
21007A	21007-0080	ROTOR,I=4.5				1	
21007B	21007-0096	ROTOR,I=3.8				1	
	(OPTION)						
21007C	21007-0112	ROTOR,I=6.2				1	
	(OPTION)						
92015	92015-1156	NUT,FLANGED,12MM				1	
92153	92153-0645	BOLT,4X18				4	
92171	92171-0258	CLAMP				1	
130	130G0514	BOLT-FLANGED,5X14				2	
510	510A3200	KEY-WOODRUFF				1	

E1830

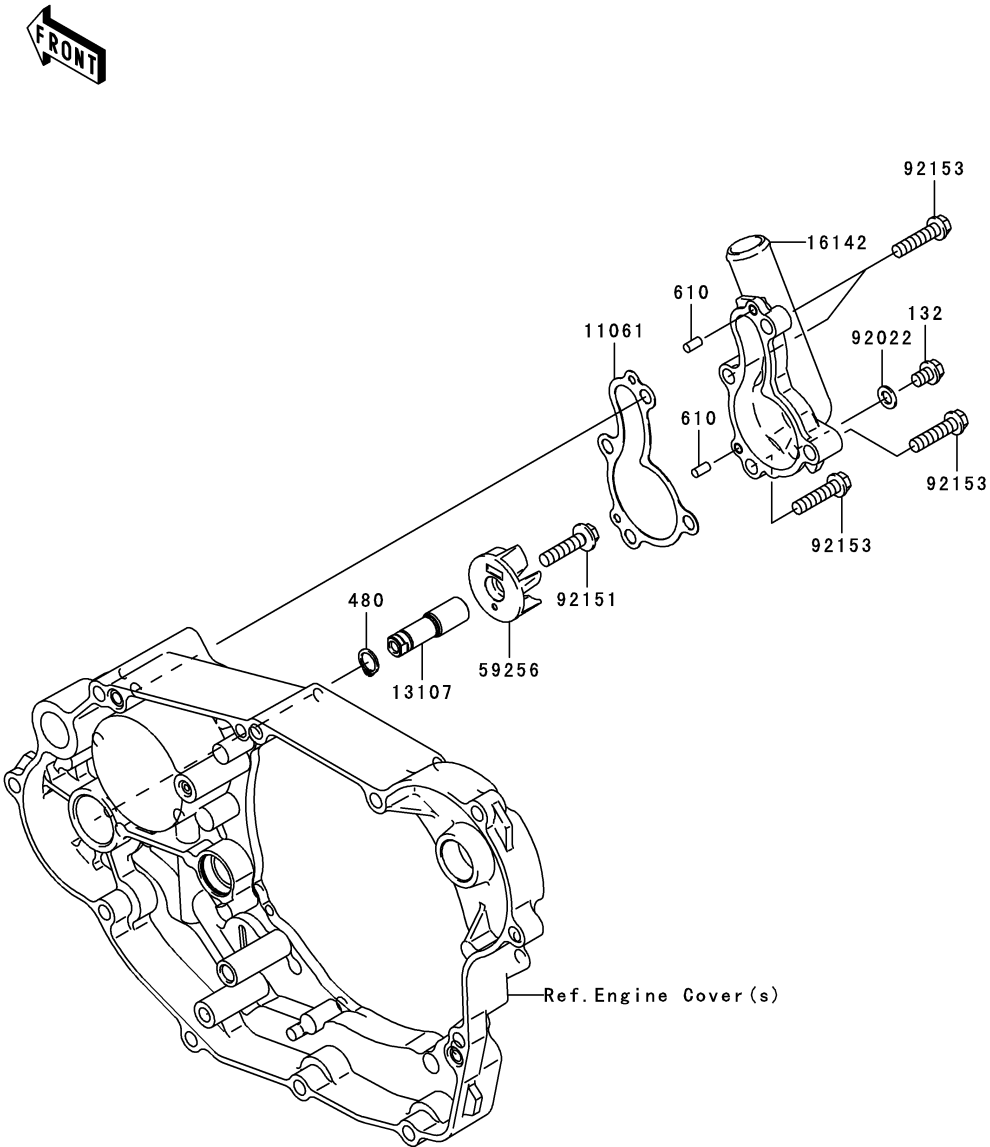
Ref. No.	Part No.	Description	Spec Code	Quantity-KX450			
				'08			
				D8F			
21119	21119-0090	IGNITER				1	
21121	21121-0016	COIL-IGNITION				1	
21160	21160-0011	CAP-ASSY-PLUG				1	
92070	92070-0020	PLUG-SPARK,CPR8EB-9(NGK)				1	
92070A	92070-0021 (OPTION)	PLUG-SPARK,CPR9EB-9(NGK)				1	
92075	92075-1138	DAMPER,8MM				4	
92152	92152-0261	COLLAR,6.5X8.5X11.5				2	
92153	92153-0626	BOLT,6X20				2	
130	130L0520	BOLT-FLANGED,5X20				2	



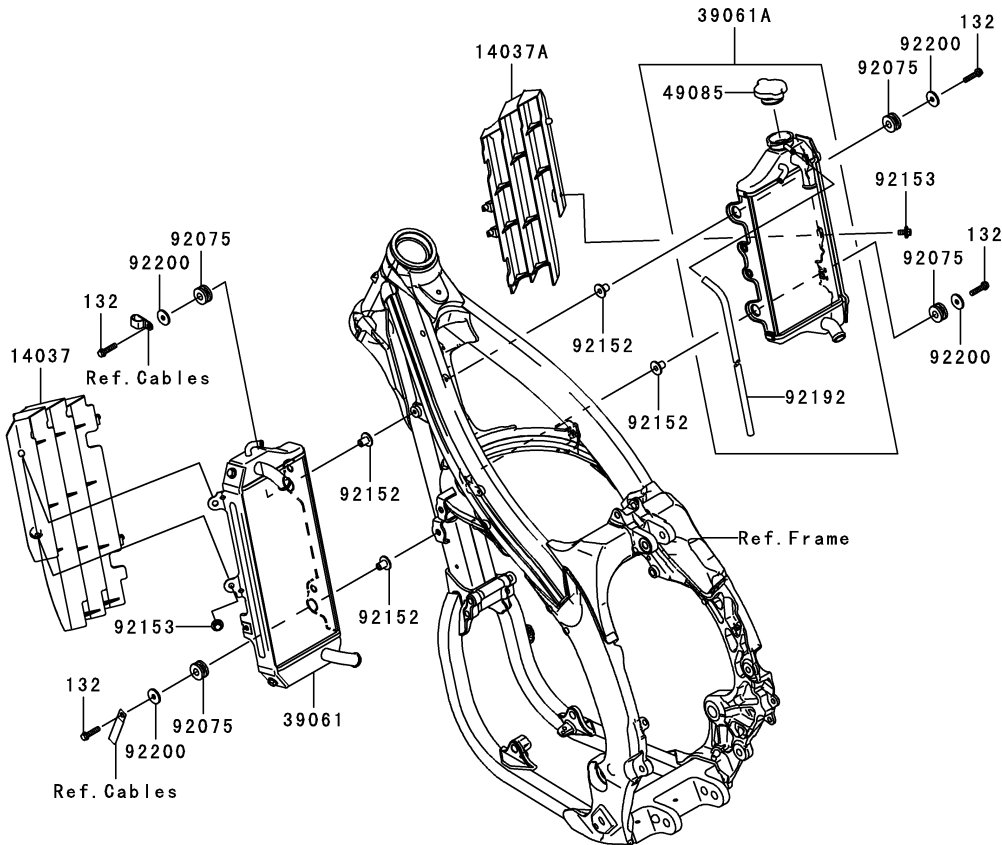
E3031

Ref. No.	Part No.	Description	Spec Code	Quantity-KX450		
				'08		

11061	11061-0225	GASKET,WATER PUMP COVER		1
13107	13107-0135	SHAFT,WATER PUMP		1
16142	16142-0029	COVER-PUMP,WATER		1
59256	59256-0003	IMPELLER		1
92022	92022-304	WASHER,6.2X11X1		1
92151	92151-1546	BOLT,FLANGED,6X25		1
92153	92153-1784	BOLT,FLANGED-SMALL,6X25		4
132	132L0608	BOLT-FLANGED-SMALL,6X8		1
480	480J1000	CIRCLIP-TYPE-C,10MM		1
610	610A0408	ROLLER,4X8		2



E3032



Ref. No.	Part No.	Description	Spec Code	Quantity-KX450	
				'08	D8F
14037	14037-0036-RZ	SCREEN,LH,WHITE		1	
14037A	14037-0037-RZ	SCREEN,RH,WHITE		1	
39061	39061-0052	RADIATOR-ASSY,LH		1	
39061A	39061-0053	RADIATOR-ASSY,RH		1	
49085	49085-1078	CAP-ASSY-PRESSURE		1	
92075	92075-209	DAMPER		4	
92152	92152-0379	COLLAR,L=12.6,T=1.6		4	
92153	92153-0503	BOLT,6X12		2	
92192	92192-0167	TUBE,6X9X640		1	
92200	92200-0271	WASHER,6.5X22X2.3		4	
132	132BB0625	BOLT-FLANGED-SMALL,6X25		4	

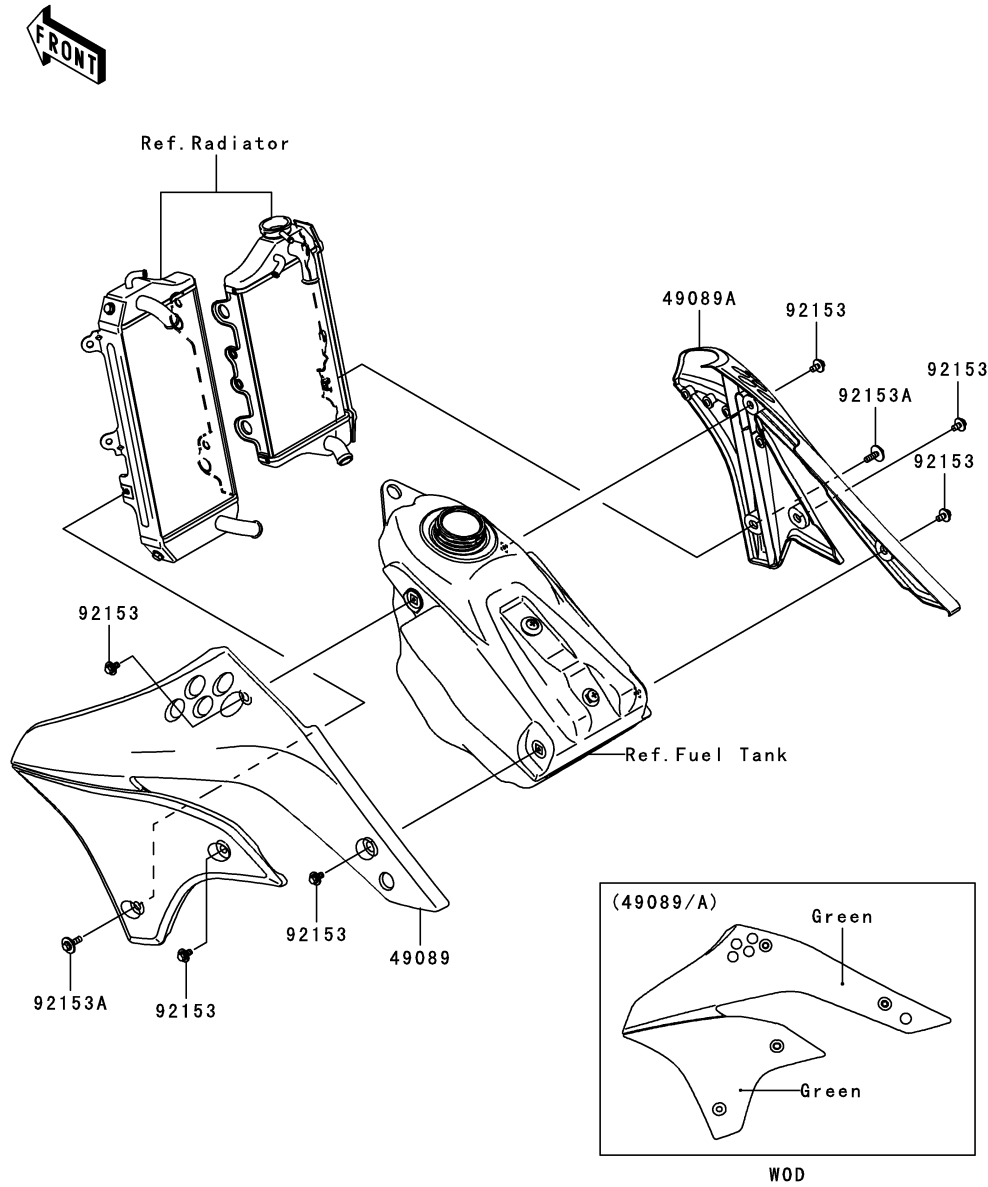
This catalog covers:
'08 KX450D8F Engine

GRID NO.

D-4

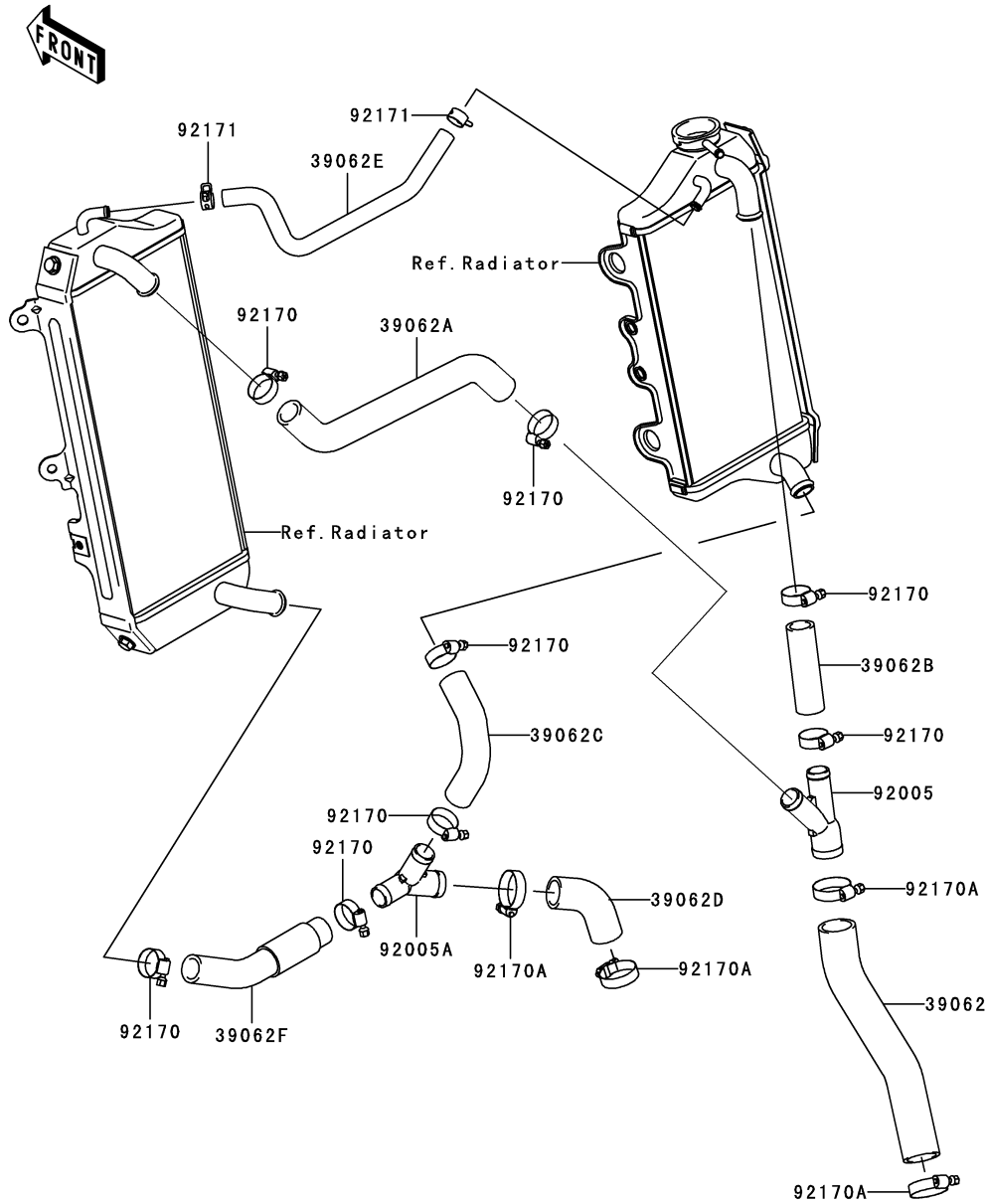
This grid covers:
Engine Shrouds

E3036



Ref. No.	Part No.	Description	Spec Code	Quantity-KX450	
				'08	D8F
49089	49089-0038-290	SHROUD-ENGINE,LH,L.GREEN		1	
49089A	49089-0039-290	SHROUD-ENGINE,RH,L.GREEN		1	
92153	92153-0503	BOLT,6X12		6	
92153A	92153-0864	BOLT,6X20		2	

E3037



Ref. No.	Part No.	Description	Spec Code	Quantity-KX450	
				'08	D8F
39062	39062-0083	HOSE-COOLING			1
39062A	39062-0084	HOSE-COOLING,FIT.-RAD. LH UPP			1
39062B	39062-0085	HOSE-COOLING,FIT.-RAD. RH UPP			1
39062C	39062-0087	HOSE-COOLING,RAD.RH LOW-FIT.			1
39062D	39062-0088	HOSE-COOLING,W/P-FIT.			1
39062E	39062-0089	HOSE-COOLING,RAD. LH-RAD. RH			1
39062F	39062-0224	HOSE-COOLING,RAD.LH LOW-FIT.			1
92005	92005-0066	FITTING,3WAY,HEAD-RAD			1
92005A	92005-0067	FITTING,3WAY,RAD-W/P			1
92170	92170-1077	CLAMP,HOSE,26MM			8
92170A	92170-1286	CLAMP,HOSE,32MM			4
92171	92171-0372	CLAMP,CLIP,12.5MM			2

This catalog covers:

'08 KX450D8F Chassis

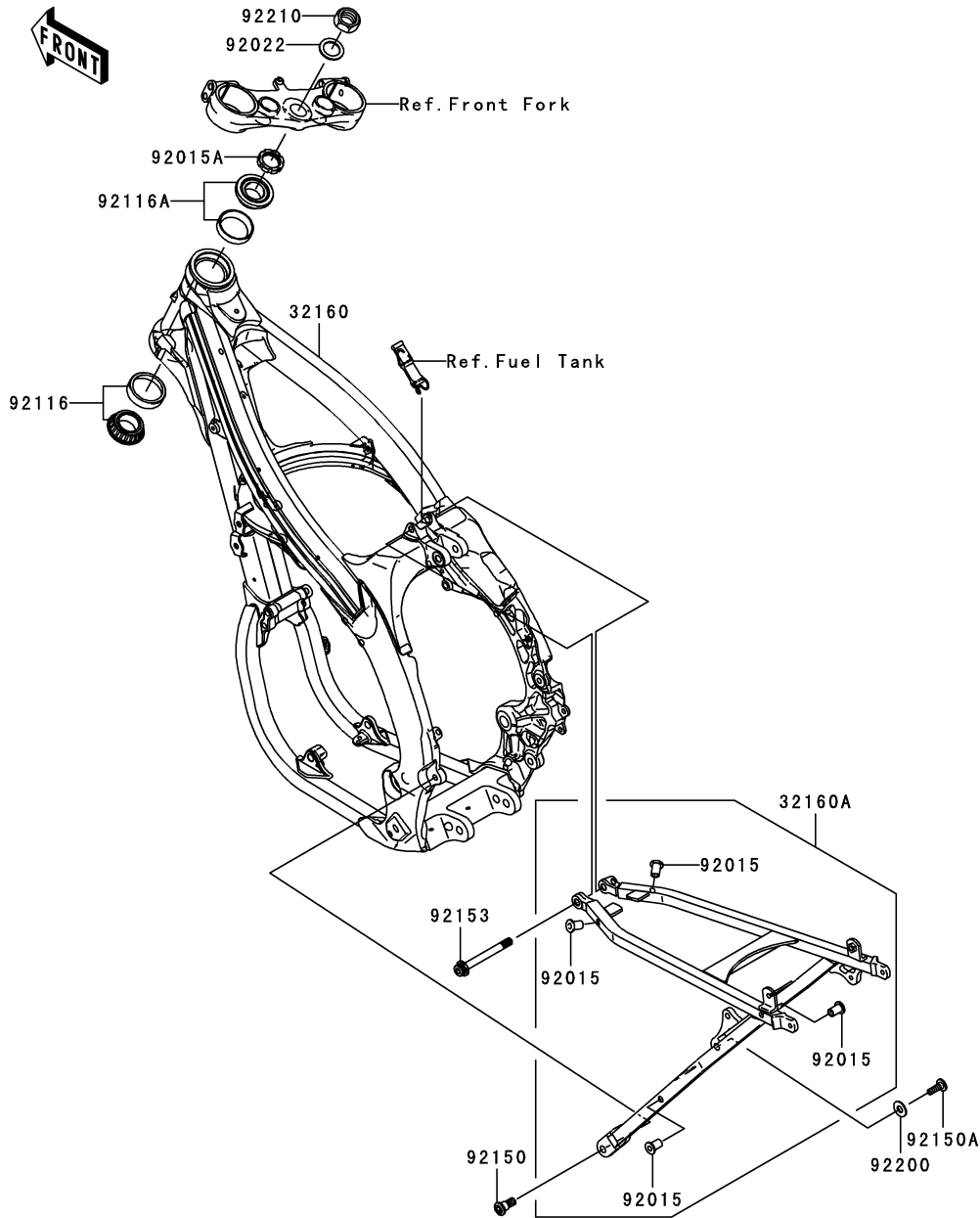
GRID NO.

E-3

This grid covers:

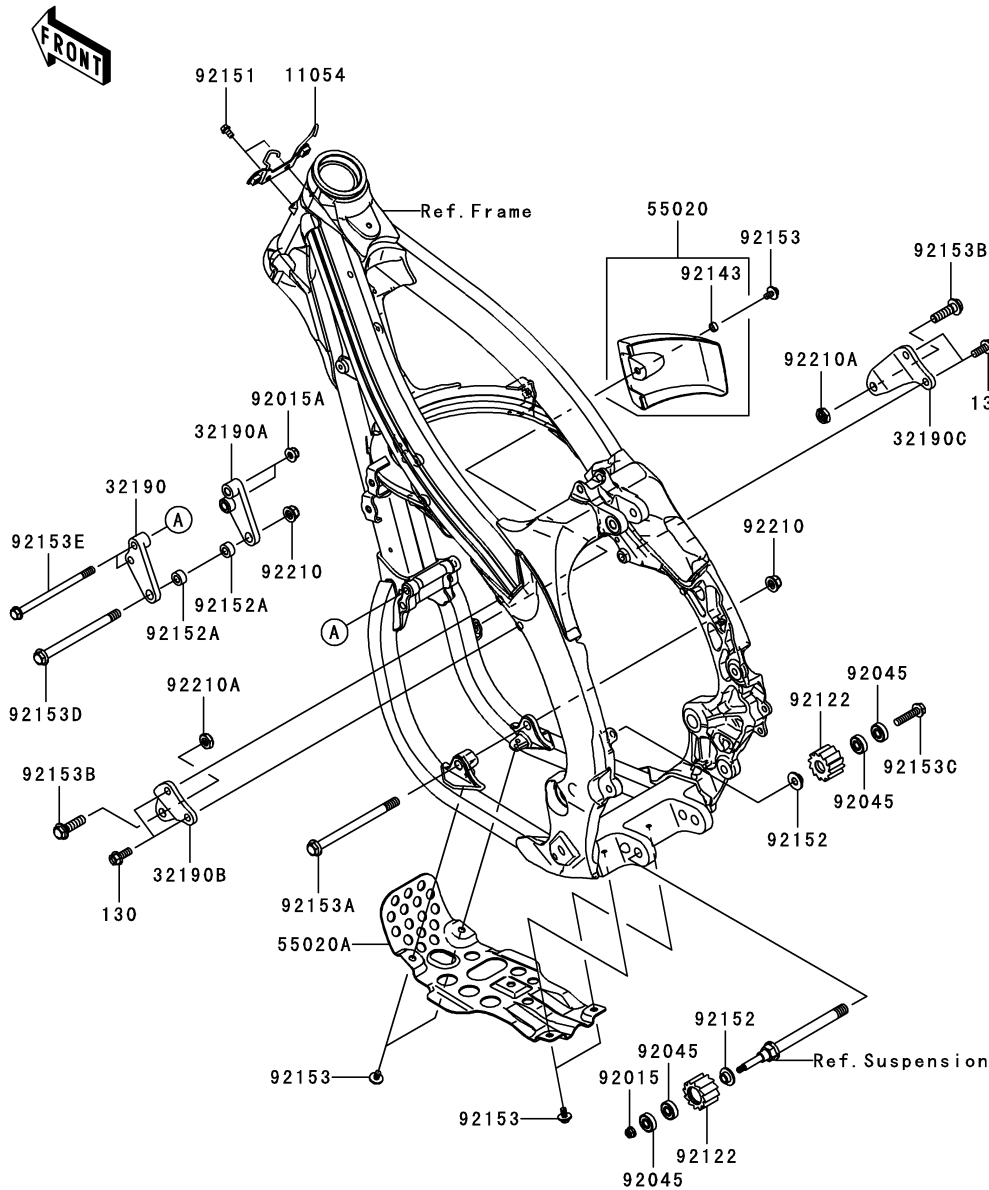
Frame

F2120



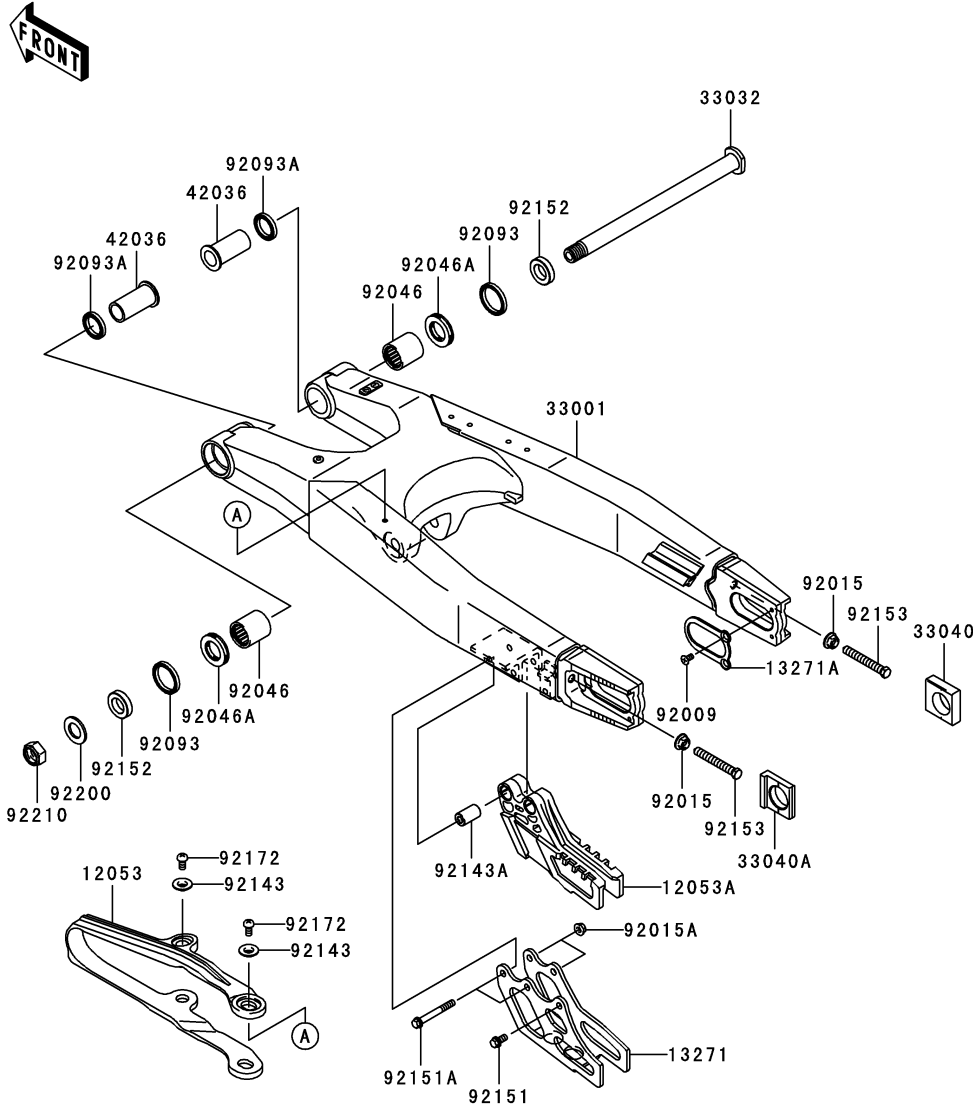
Ref. No.	Part No.	Description	Spec Code	Quantity-KX450			
				'08			
				D8F			
32160	32160-0244	FRAME-COMP,FR					1
32160A	32160-0298	FRAME-COMP,RR					1
92015	92015-1791	NUT,POP,6MM,L=15					4
92015A	92015-1861	NUT,STEERING STEM,28MM					1
92022	92022-250	WASHER,25X36X2.3					1
92116	92116-1069	BEARING-ROLLER,HI-CAP32006JRRS					1
92116A	92116-1076	BEARING-ROLLER,HI-CAP320/28JRR					1
92150	92150-1760	BOLT,SOCKET,8X20					1
92150A	92150-1845	BOLT,8X25					1
92153	92153-1790	BOLT,SOCKET,8X74					1
92200	92200-0154	WASHER,10.5X24X1.5					1
92210	92210-0066	NUT,24MM					1

F2131

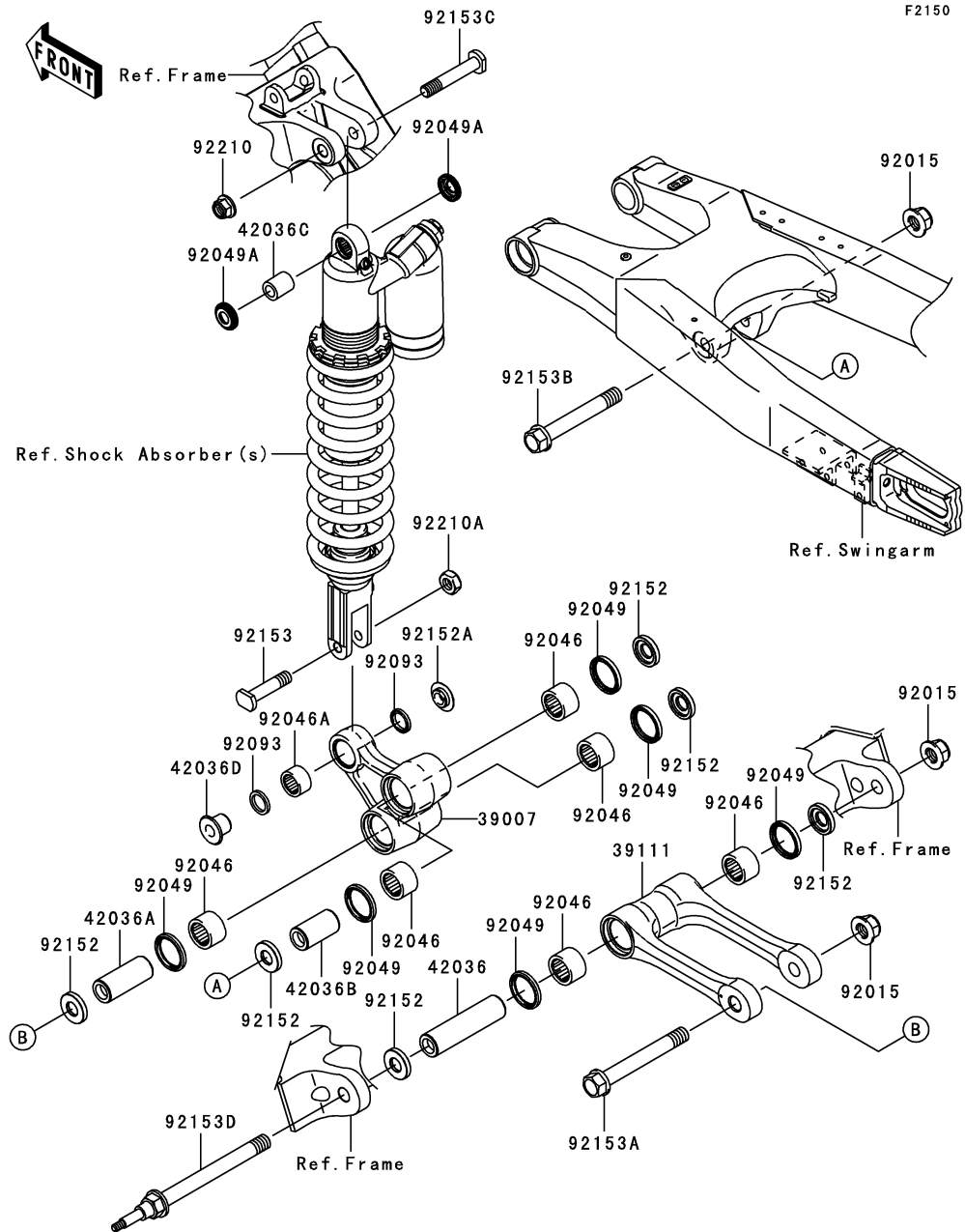


Ref. No.	Part No.	Description	Spec Code	Quantity-KX450		
				'08		
			D8F			
11054	11054-0300	BRACKET,IGNITER				1
32190	32190-0330	BRACKET-ENGINE,FR				1
32190A	32190-0331	BRACKET-ENGINE,FR				1
32190B	32190-0351	BRACKET-ENGINE,UPP,LH				1
32190C	32190-0352	BRACKET-ENGINE,UPP,RH				1
55020	55020-0179-RZ	GUARD,ENGINE,RH,WHITE				1
55020A	55020-0369	GUARD,SKID				1
92015	92015-1339	NUT,LOCK,FLANGED,6MM				1
92015A	92015-1432	NUT,8MM				2
92045	92045-0060	BEARING-BALL,608LLU/2A				4
92122	92122-0016	ROLLER,CHAIN GUIDE				2
92143	92143-1307	COLLAR				1
92151	92151-1233	BOLT,FLANGED,6X10				2
92152	92152-0459	COLLAR				2
92152A	92152-0595	COLLAR,10.2X20X10				2
92153	92153-0503	BOLT,6X12				5
92153A	92153-0704	BOLT,FLANGED,10X137				1
92153B	92153-0802	BOLT,FLANGED,10X35				2
92153C	92153-1652	BOLT,FLANGED,8X35				1
92153D	92153-1869	BOLT,FLANGED,10X128				1
92153E	92153-1870	BOLT,FLANGED,8X126				2
92210	92210-1080	NUT,LOCK,FLANGED,10MM				2
92210A	92210-1184	NUT,LOCK,10MM				2
130	130P0820	BOLT-FLANGED,8X20				4

F2141

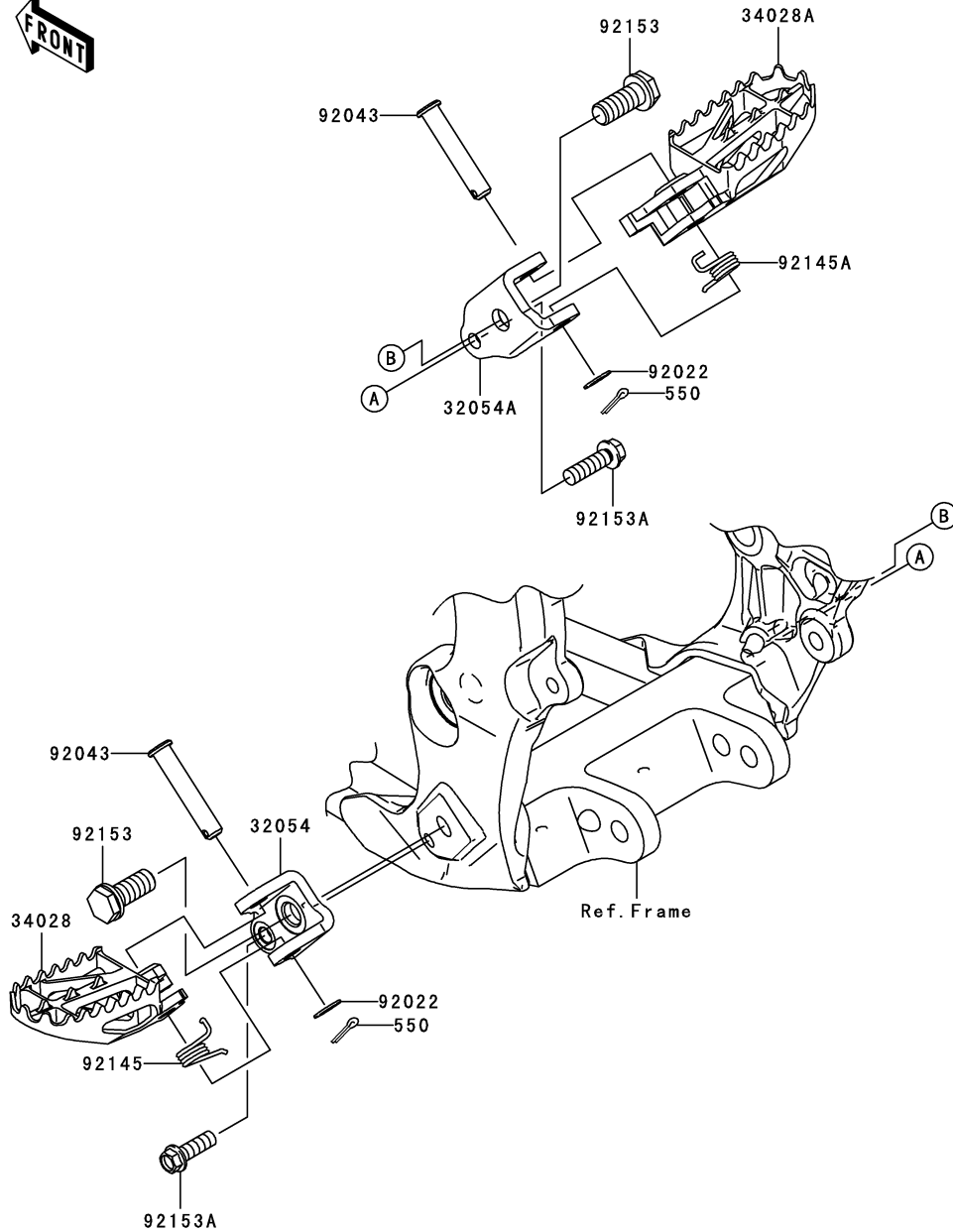


Ref. No.	Part No.	Description	Spec Code	Quantity-KX450			
				'08			
				D8F			
12053	12053-0053	GUIDE-CHAIN,DRIVE,FR		1			
12053A	12053-0061	GUIDE-CHAIN		1			
13271	13271-0593	PLATE,CHAIN GUIDE		1			
13271A	13271-1833	PLATE,AXLE		2			
33001	33001-0108	ARM-COMP-SWING		1			
33032	33032-0012	SHAFT-SWING ARM		1			
33040	33040-0020	ADJUSTER-CHAIN,RH		1			
33040A	33040-1189	ADJUSTER-CHAIN,LH		1			
42036	42036-0019	SLEEVE,SWING ARM,L=47.5		2			
92009	92009-1828	SCREW,5X10		4			
92015	92015-1014	NUT,FLANGED,8MM		2			
92015A	92015-1078	NUT,FLANGED,6MM		2			
92046	92046-1174	BEARING-NEEDLE,TA2230Z		2			
92046A	92046-1240	BEARING-NEEDLE,NTBR22356E01		2			
92093	92093-1434	SEAL,SDO29X35X4.5		2			
92093A	92093-1435	SEAL,SDO22X29X5		2			
92143	92143-1676	COLLAR		4			
92143A	92143-1867	COLLAR,6.5X14X24		2			
92151	92151-1133	BOLT,6X12		1			
92151A	92151-1234	BOLT,6X50		2			
92152	92152-0292	COLLAR,17.1X29X6		2			
92153	92153-0620	BOLT,8X56		2			
92172	92172-0119	SCREW,5X8		4			
92200	92200-0285	WASHER,17.2X30X2.3		1			
92210	92210-0285	NUT,LOCK,16MM		1			



Ref. No.	Part No.	Description	Spec Code	Quantity-KX450	
				'08	D8F
39007	39007-0073	ARM-SUSP,UNI TRAK			1
39111	39111-0033	ROD-TIE,SUSPENSION			1
42036	42036-0020	SLEEVE,ROD,L=78.4			1
42036A	42036-0021	SLEEVE,SUSPENSION ARM,L=49			1
42036B	42036-0022	SLEEVE,SUSPENSION ARM,L=37			1
42036C	42036-0030	SLEEVE,10X16X19.3			1
42036D	42036-1351	SLEEVE			1
92015	92015-1433	NUT,LOCK,FLANGED,12MM			3
92046	92046-1151	BEARING-NEEDLE,F-2016			6
92046A	92046-1301	BEARING-NEEDLE,7E-HVS16X22X12			1
92049	92049-0063	SEAL-OIL,SDO26X32X4			6
92049A	92049-0069	SEAL-OIL			2
92093	92093-1436	SEAL			2
92152	92152-0425	COLLAR			6
92152A	92152-1139	COLLAR			1
92153	92153-0937	BOLT,10X45			1
92153A	92153-0938	BOLT,FLANGED,12X95			1
92153B	92153-0939	BOLT,FLANGED,12X86			1
92153C	92153-1386	BOLT,10X58			1
92153D	92153-1643	BOLT,12MM,L=122			1
92210	92210-1080	NUT,LOCK,FLANGED,10MM			1
92210A	92210-1184	NUT,LOCK,10MM			1

F2160



Ref. No.	Part No.	Description	Spec Code	Quantity-KX450	
				'08	D8F
32054	32054-0020	BRACKET-STEP,LH			1
32054A	32054-0021	BRACKET-STEP,RH			1
34028	34028-0014	STEP,LH			1
34028A	34028-0015	STEP,RH			1
92022	92022-1829	WASHER,10.2X16X1			2
92043	92043-0074	PIN,10X42.5			2
92145	92145-0198	SPRING,STEP,LH			1
92145A	92145-0199	SPRING,STEP,RH			1
92153	92153-0653	BOLT,FLANGED,12X23			2
92153A	92153-0838	BOLT,FLANGED,8X25			2
550	550S3020	PIN-COTTER,3.0X20			2

This catalog covers:

'08 KX450D8F Chassis

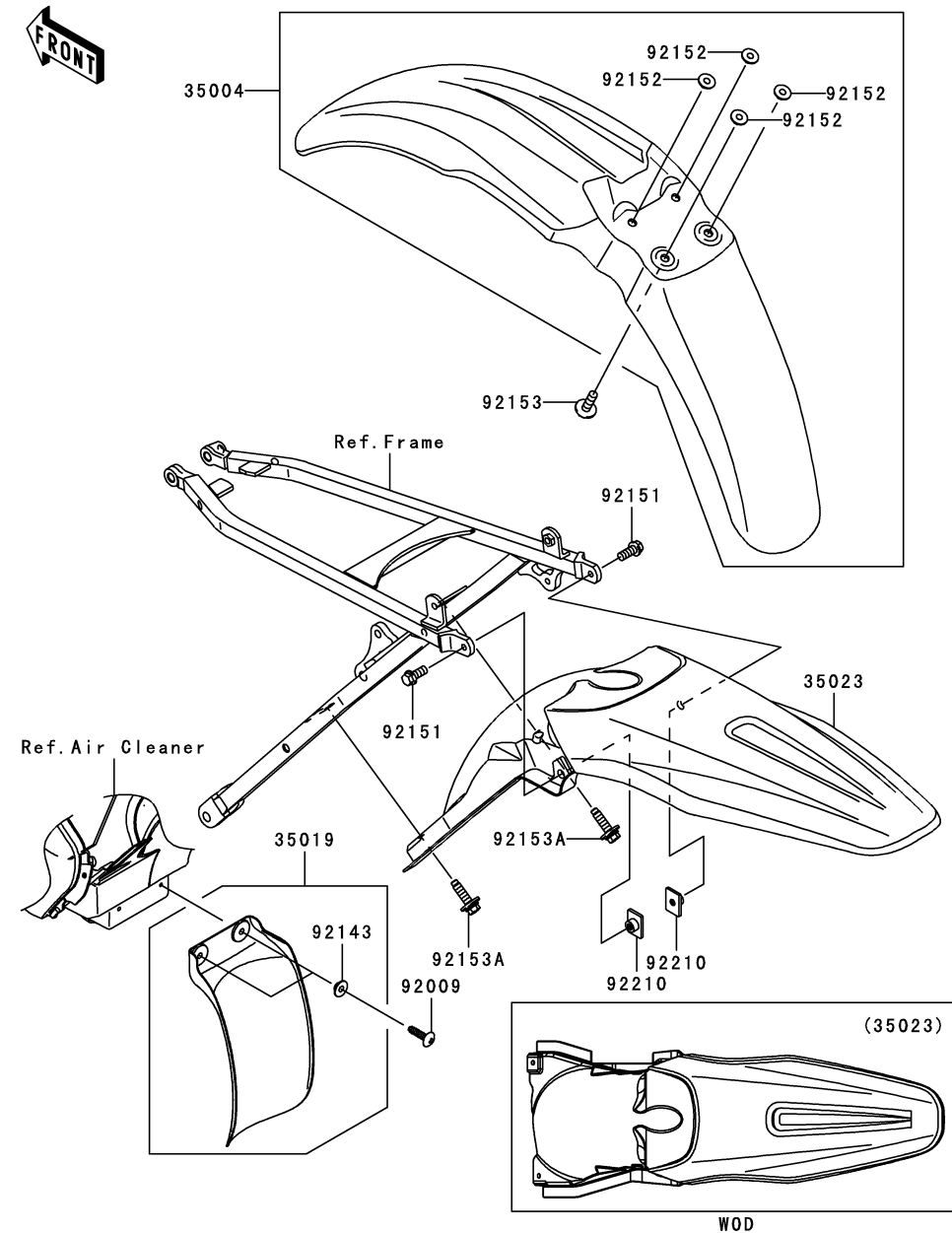
GRID NO.

E-8

This grid covers:

Fenders

F2170



Ref. No.	Part No.	Description	Spec Code	Quantity-KX450		
				'08		
35004	35004-0078-290	FENDER-FRONT,L.GREEN				1
35019	35019-0050	FLAP,AIR FILTER				1
35023	35023-0100-290	FENDER-REAR,L.GREEN				1
92009	92009-1993	SCREW,TAPPING,5X20				2
92143	92143-1087	COLLAR				2
92151	92151-1423	BOLT,6X14				2
92152	92152-1422	COLLAR				4
92153	92153-0502	BOLT,6X20				4
92153A	92153-1852	BOLT,FLANGED,6X23				2
92210	92210-1352	NUT,PLATE,6MM				2

This catalog covers:

'08 KX450D8F Chassis

GRID NO.

E-9

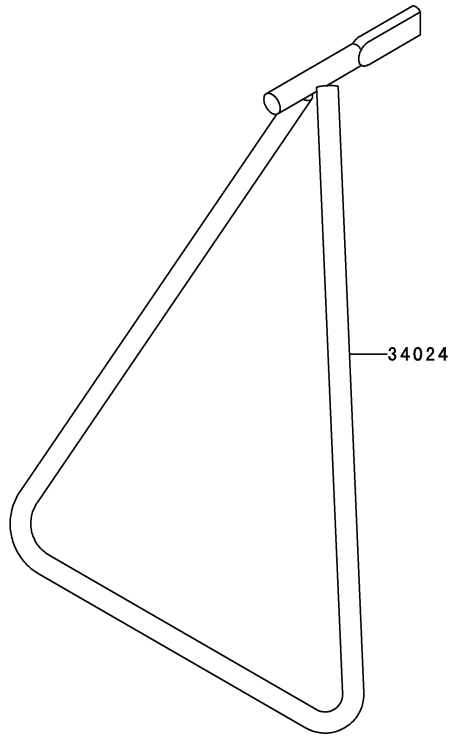
This grid covers:

Stand(s)



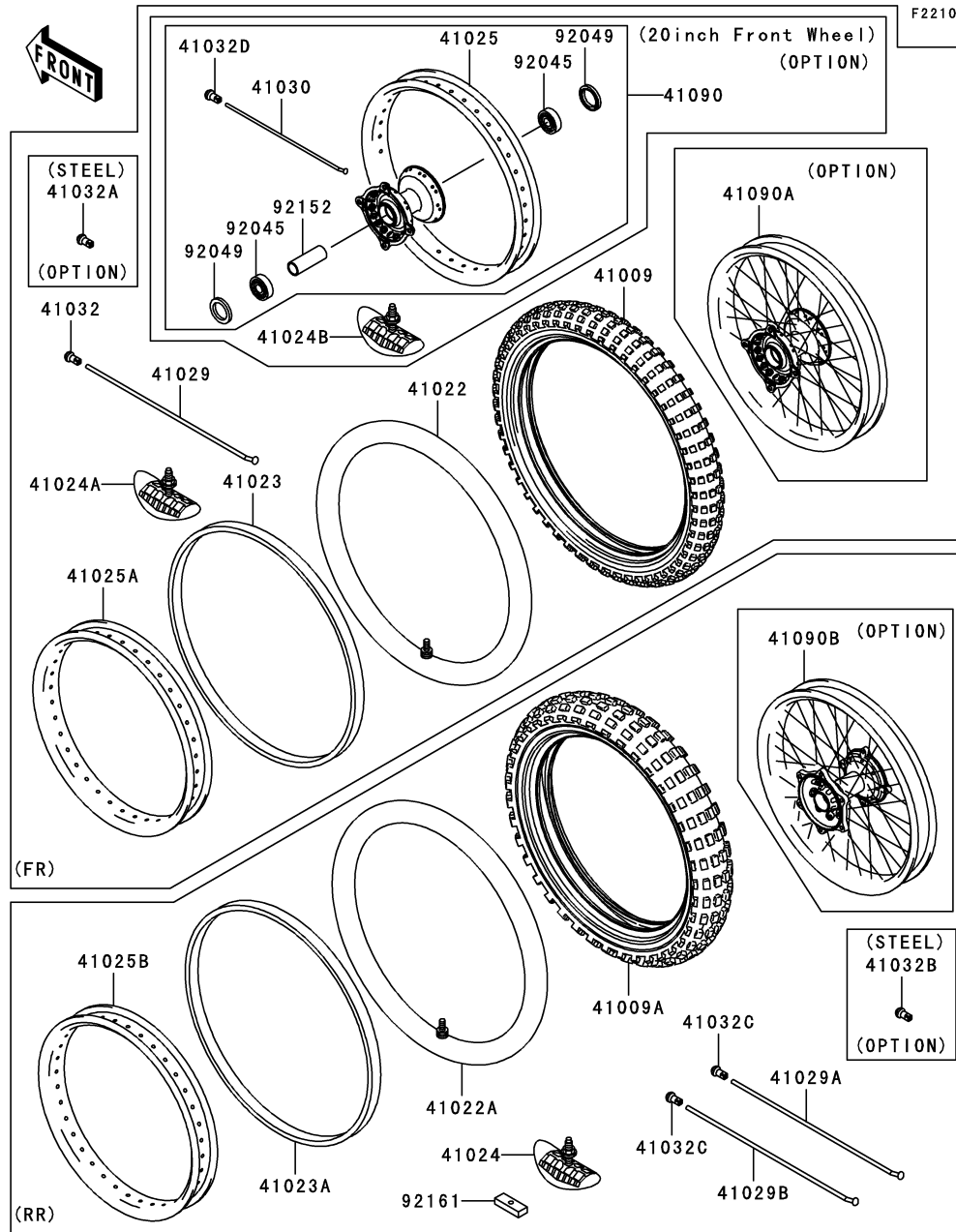
F2190

Ref. No.	Part No.	Description	Spec Code	Quantity-KX450			
				'08			
34024	34024-1396-458	STAND-SIDE,P.SILVER				1	



This catalog covers:
'08 KX450D8F Chassis

GRID NO. This grid covers:
E-10 Tires



Ref. No.	Part No.	Description	Spec Code	Quantity-KX450			
				'08			
				D8F			
41009	41009-0118	TIRE,FR,90/100-21 57M,D742F(D)					1
41009A	41009-0119	TIRE,RR,120/80-19 63M,D756(D)					1
41022	41022-0022	TUBE-TIRE,90/100-21(D)					1
41022A	41022-0023	TUBE-TIRE,120/80-19(D)					1
41023	41023-0009	BAND-RIM,90/100-21(D)					1
41023A	41023-0010	BAND-RIM,120/80-19(D)					1
41024	41024-009	STOPPER-RIM,2.15-M(DUNLOP)					1
41024A	41024-010	STOPPER-RIM,1.60-M(DUNLOP)					1
41024B	41024-011	STOPPER-RIM,1.85-M(DUNLOP)					1
	(OPTION)						
41025	41025-0015	RIM,FR,1.85X20					1
	(OPTION)						
41025A	41025-0094-WC	RIM,FR,1.60X21,BLACK					1
41025B	41025-0095-WC	RIM,RR,2.15X19,BLACK					1
41029	41029-0003	SPOKE-INNER,FR					36
41029A	41029-1204	SPOKE-INNER,RR,202MMX160D					27
41029B	41029-1330	SPOKE-INNER,RR,204MMX159D					9
41030	41030-1172	SPOKE-OUTER,FR,217.5MMX170D					36
	(OPTION)						
41032	41032-0002	NIPPLE-SPOKE,ALUMINIUM					36
41032A	41032-1077	NIPPLE-SPOKE,8X9X20(+)					36
	(OPTION)						
41032B	41032-1085	NIPPLE-SPOKE,STEEL					36
	(OPTION)						
41032C	41032-1086	NIPPLE-SPOKE,ALUMINIUM					36
41032D	41032-1086	NIPPLE-SPOKE,ALUMINIUM					36
	(OPTION)						
41090	41090-0012	WHEEL,FR,1.85X20,ALUM NIPPLE					1
	(OPTION)						
41090A	41090-5212	WHEEL,FR,1.60X21,ALUM NIPPLE					1
	(OPTION)						
41090B	41090-5213	WHEEL,RR,2.15X19,ALUM NIPPLE					1
	(OPTION)						
92045	92045-1284	BEARING-BALL,69042RS					2
	(OPTION)						
92049	92049-1403	SEAL-OIL,BJNC-2 25X37X5					2
	(OPTION)						
92152	92152-1472	COLLAR,FRONT BRAKE DRUM,L=72					1
	(OPTION)						
92161	92161-1184	DAMPER,RIM STOPPER					1

This catalog covers:

'08 KX450D8F Chassis

GRID NO.

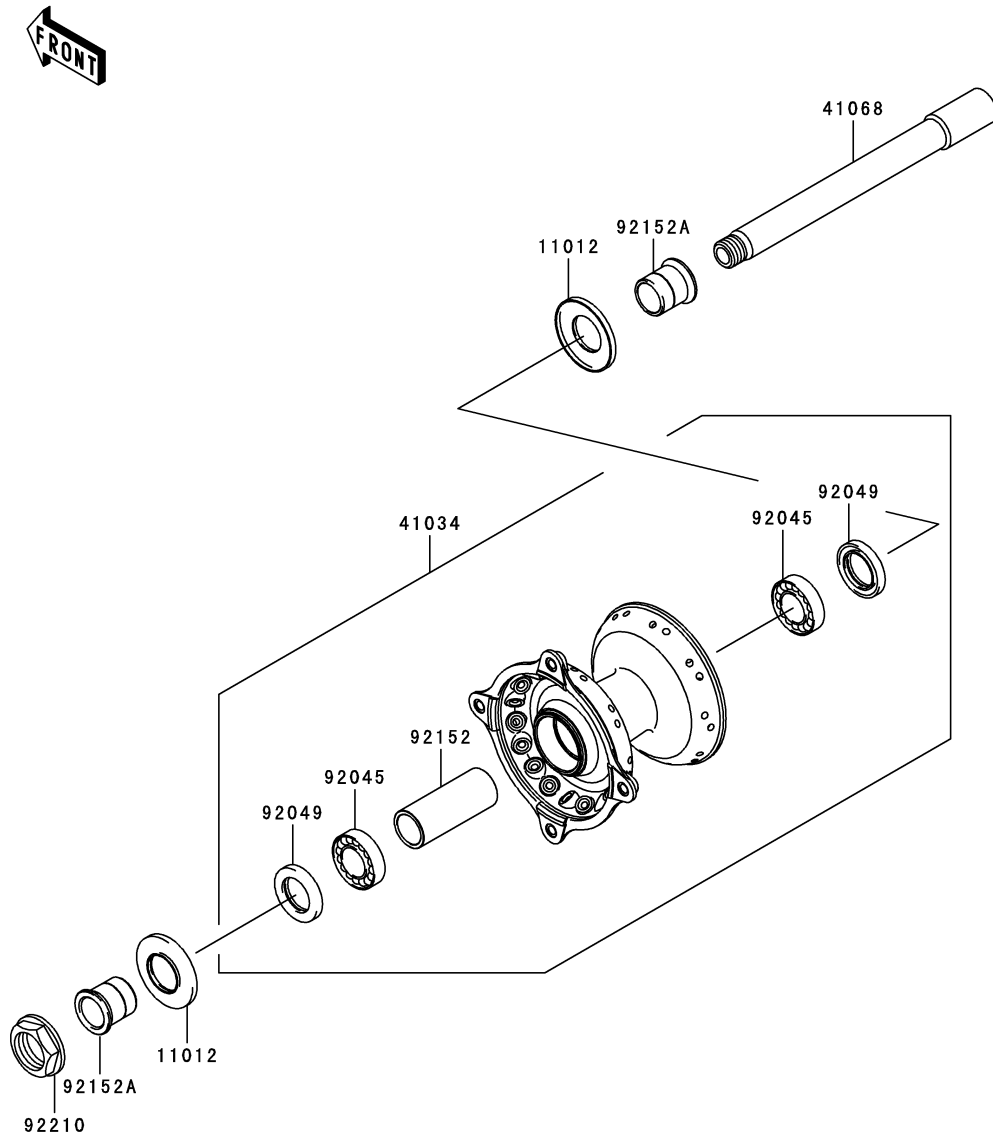
E-11

This grid covers:

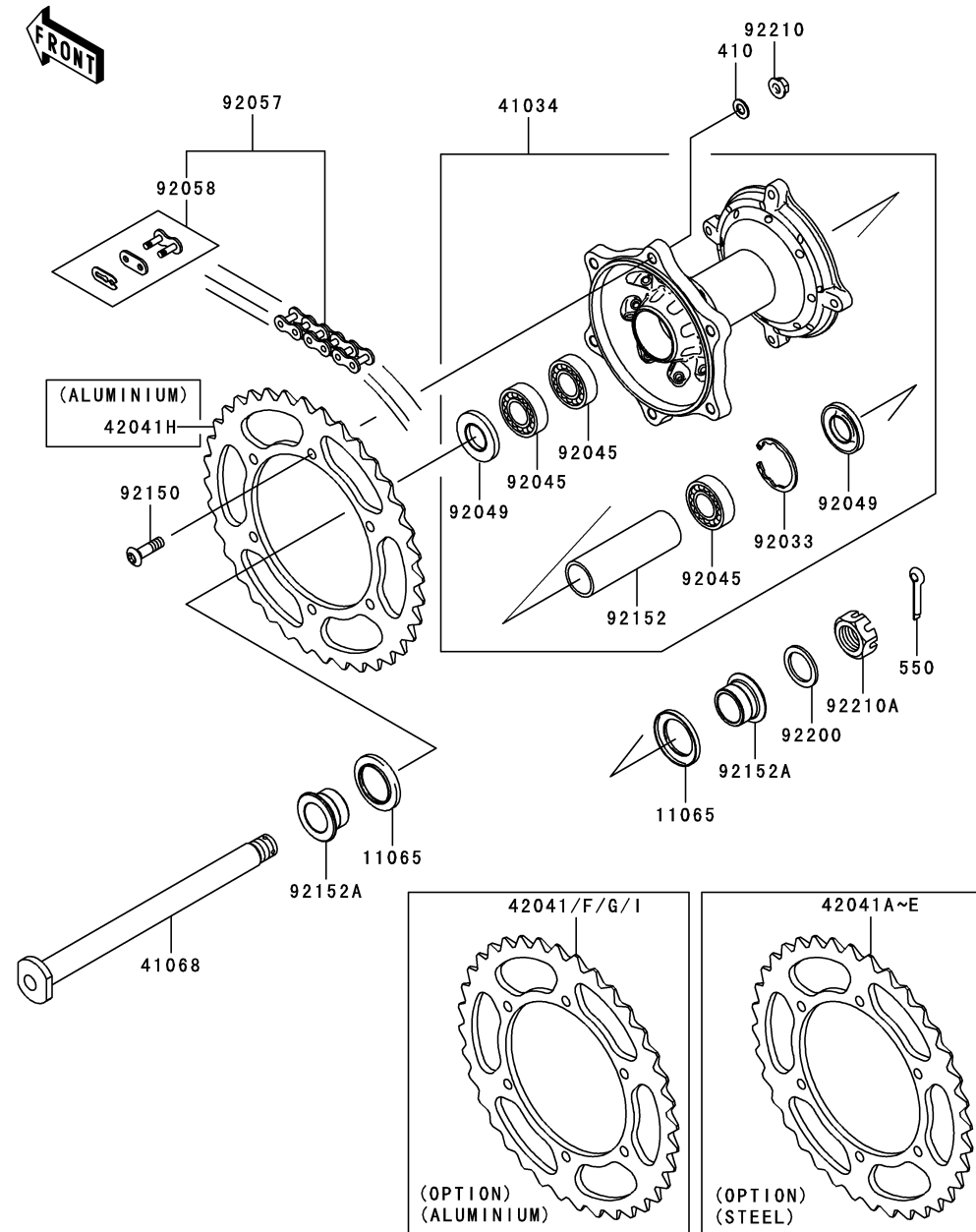
Front Hub

F2230

Ref. No.	Part No.	Description	Spec Code	Quantity-KX450			
				'08			
11012	11012-1581	CAP,AXLE				2	
41034	41034-0037-10Y	DRUM-ASSY,FRONT BRAKE,M.M.GOLD				1	
41068	41068-0004	AXLE,FR				1	
92045	92045-1284	BEARING-BALL,69042RS				2	
92049	92049-1403	SEAL-OIL,BJNC-2 25X37X5				2	
92152	92152-0028	COLLAR,FRONT BRAKE DRUM,L=65				1	
92152A	92152-0324	COLLAR,FR AXLE,L=27.5				2	
92210	92210-0065	NUT,18MM				1	



F2240



Ref. No.	Part No.	Description	Spec Code	Quantity-KX450			
				'08			
				D8F			
11065	11065-1253	CAP,AXLE					2
41034	41034-0035-10Y	DRUM-ASSY,REAR BRAKE,M.M.GOLD					1
41068	41068-1466	AXLE,RR					1
42041	42041-0001	SPROCKET-HUB,52T,AL					1
	(OPTION)						
42041A	42041-1383	SPROCKET-HUB,48T					1
	(OPTION)						
42041B	42041-1384	SPROCKET-HUB,49T					1
	(OPTION)						
42041C	42041-1408	SPROCKET-HUB,50T					1
	(OPTION)						
42041D	42041-1428	SPROCKET-HUB,51T					1
	(OPTION)						
42041E	42041-1429	SPROCKET-HUB,52T					1
	(OPTION)						
42041F	42041-1448	SPROCKET-HUB,48T,AL					1
	(OPTION)						
42041G	42041-1449	SPROCKET-HUB,49T,AL					1
	(OPTION)						
42041H	42041-1450	SPROCKET-HUB,50T,AL					1
42041I	42041-1451	SPROCKET-HUB,51T,AL					1
	(OPTION)						
92033	92033-1041	RING-SNAP,42MM					1
92045	92045-1446	BEARING-BALL,69052RS					3
92049	92049-1614	SEAL-OIL					2
92057	92057-1541	CHAIN,DRIVE,DID520DMA2SDHX114L					1
92058	92058-1074	JOINT-CHAIN,DRIVE					1
92150	92150-1978	BOLT,SOCKET,8X28					6
92152	92152-1427	COLLAR,REAR BRAKE DRUM,L=106.5					1
92152A	92152-1473	COLLAR,RR AXLE,L=17					2
92200	92200-1623	WASHER,22.5X35X2.3					1
92210	92210-0159	NUT,FLANGED,LOCK,8MM					6
92210A	92210-1411	NUT,CASTLE,22MM					1
410	410B0800	WASHER-PLAIN-SMALL,8MM					6
550	550D3035	PIN-COTTER,3.0X35					1

This catalog covers:

'08 KX450D8F Chassis

GRID NO.

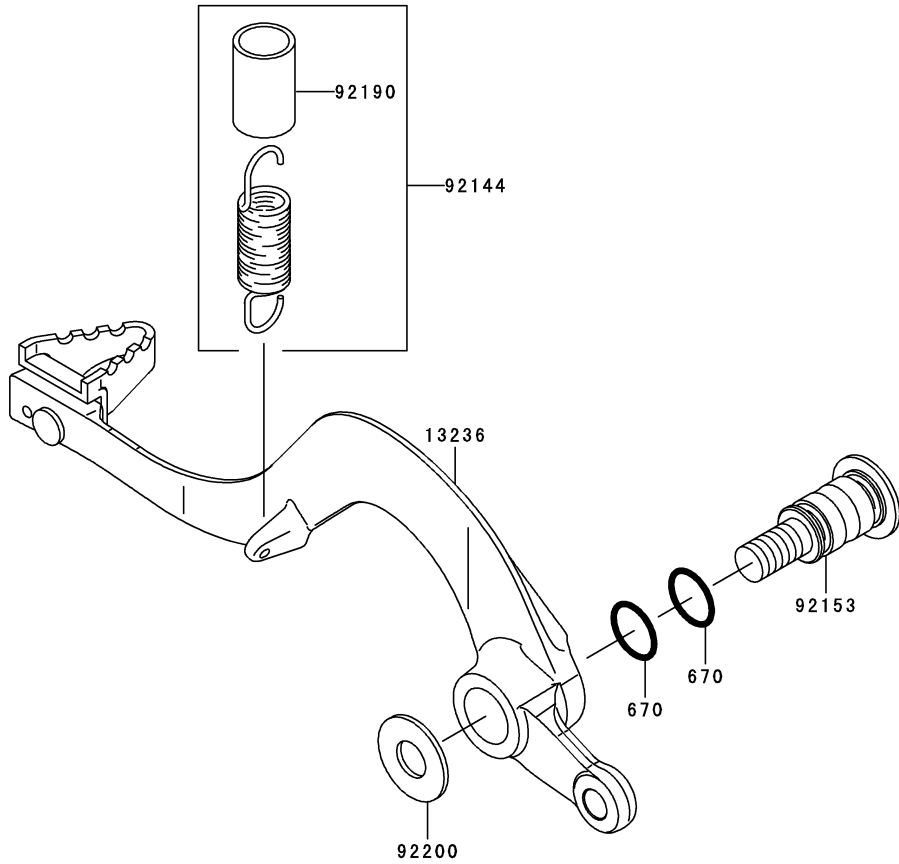
E-13

This grid covers:

Brake Pedal

F2260

Ref. No.	Part No.	Description	Spec Code	Quantity-KX450			
				'08			
13236	13236-0086	LEVER-COMP,BRAKE PEDAL				1	
92144	92144-1752	SPRING,BRAKE PEDAL RETURN				1	
92153	92153-0974	BOLT,BRAKE PEDAL,10MM				1	
92190	92190-1488	TUBE,13X16X25				1	
92200	92200-0154	WASHER,10.5X24X1.5				1	
670	670B2012	O RING,12MM				2	



This catalog covers:

'08 KX450D8F Chassis

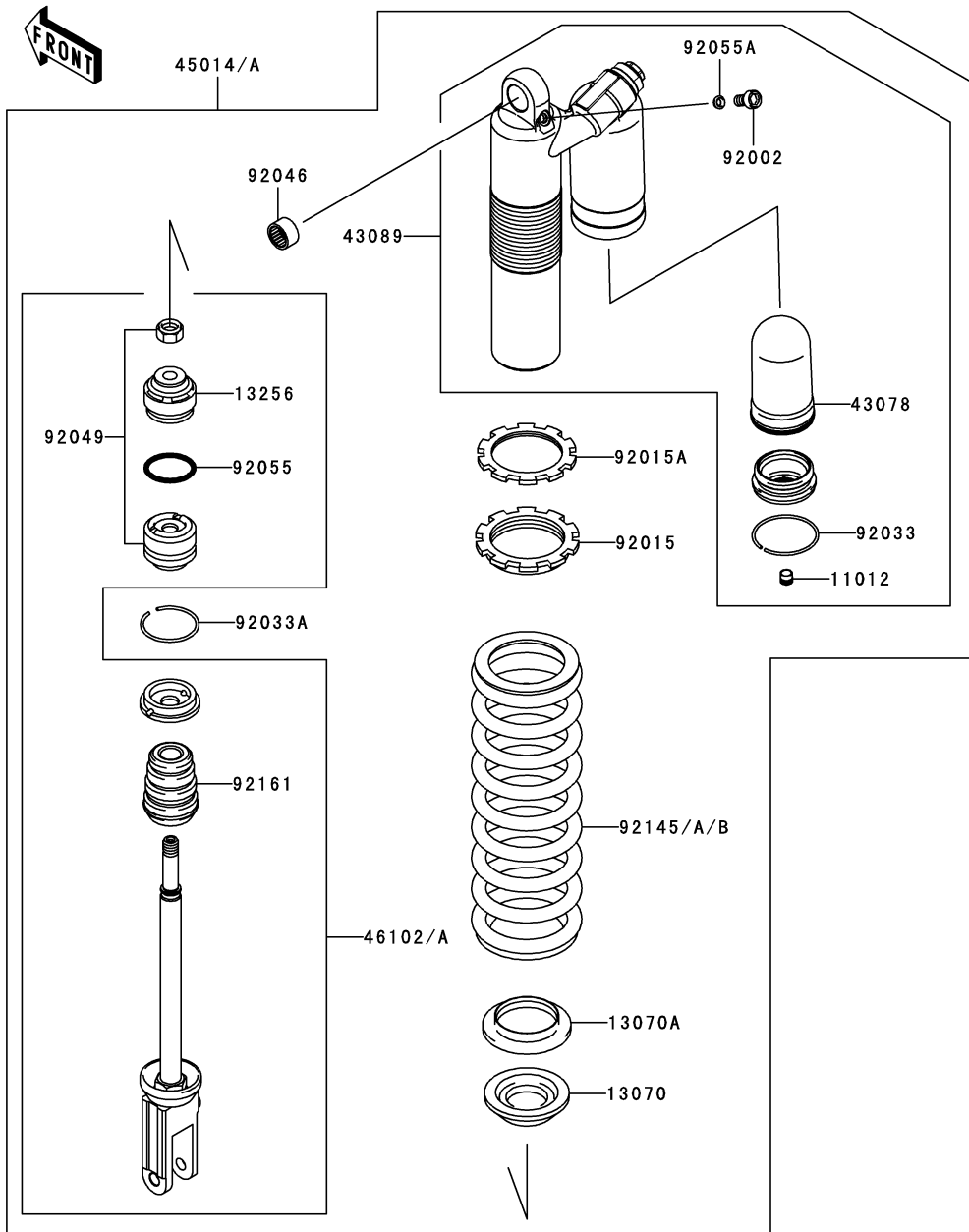
GRID NO.

E-14

This grid covers:

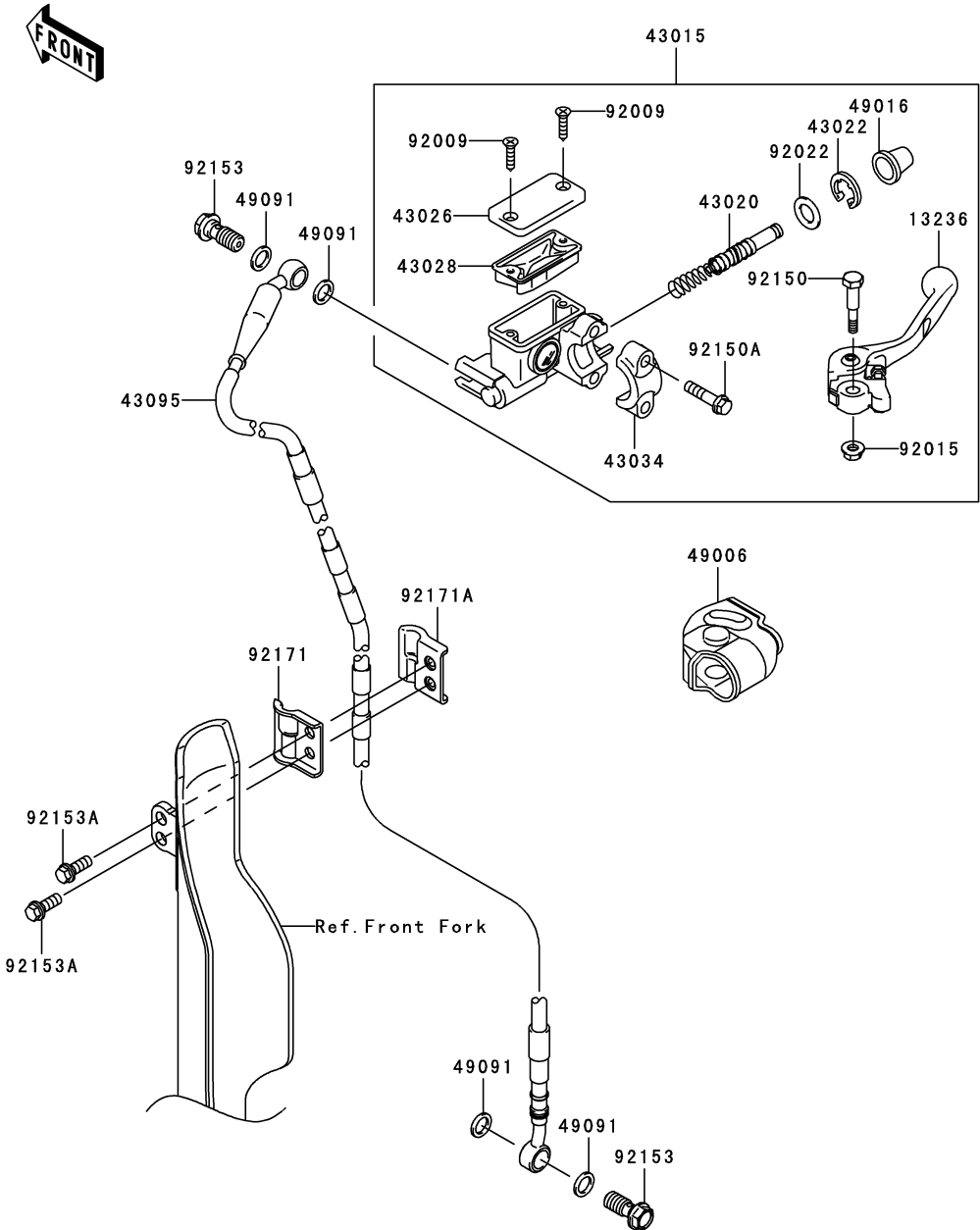
Shock Absorber(s)

F2280



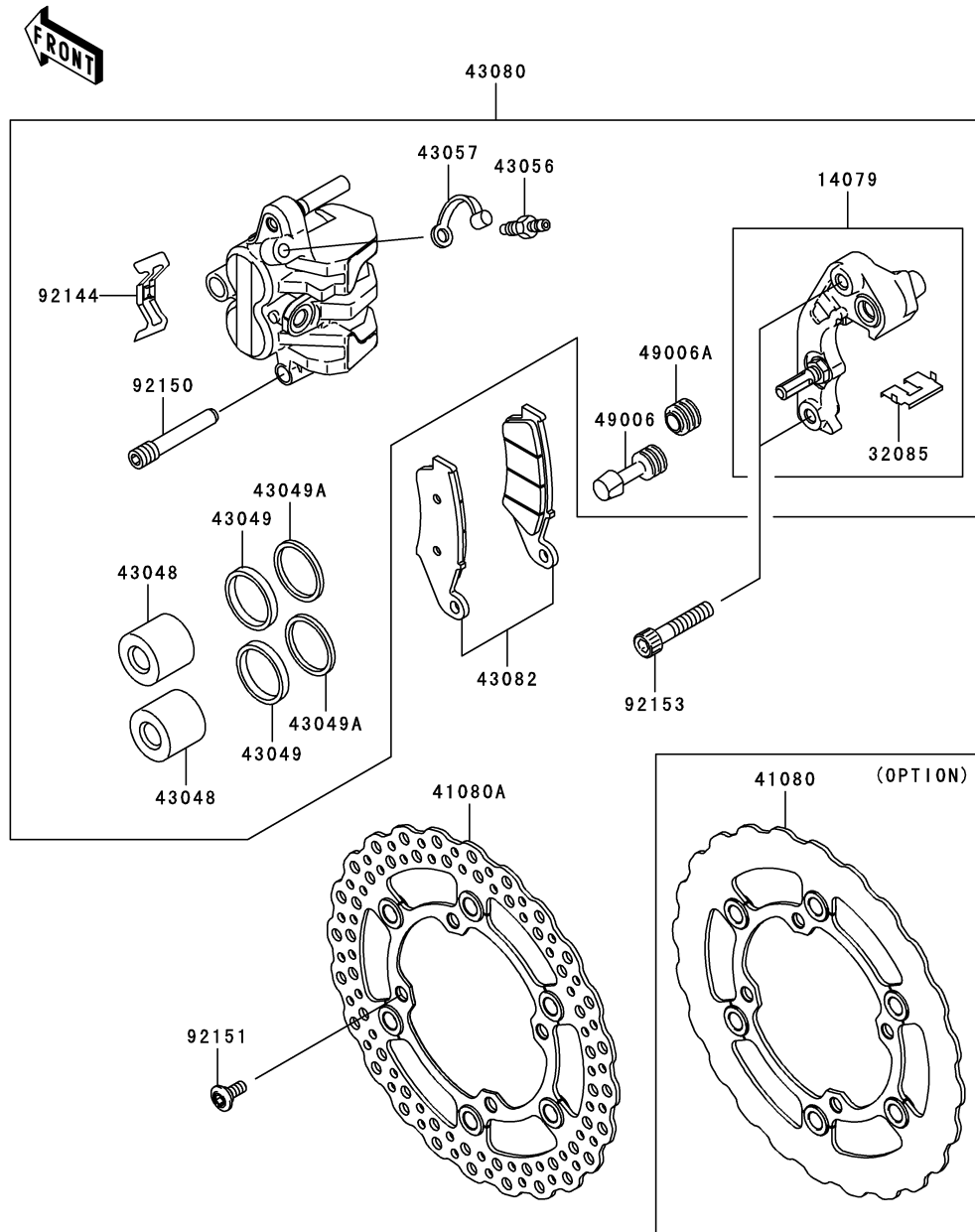
Ref. No.	Part No.	Description	Spec Code	Quantity-KX450		
				'08	D8F	
11012	11012-1552	CAP,AIR VALVE			1	
13070	13070-0029	GUIDE,SPRING			1	
13070A	13070-1362	GUIDE,SPRING			1	
13256	13256-0002	PISTON,SHOCKABSORBER			1	
43078	43078-0031	RESERVOIR,SHOCKABSORBER			1	
43089	43089-0018	CYLINDER-SHOCKABSORBER			1	
45014	45014-0188-8V	SHOCKABSORBER,I.SILVER			1	
	L-----		AS		1	
45014A	45014-0217-8V	SHOCKABSORBER,I.SILVER			1	
	L-----		EU		1	
46102	46102-0104	ROD,PISTON			1	
	L-----		AS		1	
46102A	46102-0121	ROD,PISTON			1	
	L-----		EU		1	
92002	92002-1955	BOLT,DRAIN			1	
92015	92015-1703	NUT,SPRING ADJUST			1	
92015A	92015-1704	NUT,SPRING ADJUST LOCK			1	
92033	92033-0044	RING-SNAP			1	
92033A	92033-1209	RING-SNAP			1	
92046	92046-1301	BEARING-NEEDLE,7E-HVS16X22X12			1	
92049	92049-0100	SEAL-OIL			1	
92055	92055-1346	RING-O,ROD			1	
92055A	92055-1383	RING-O			1	
92145	92145-0016-8V (OPTION)	SPRING,SHOCK,K=52N/MM,I.SILVER			1	
92145A	92145-0244-8V	SPRING,SHOCK,K=54N/MM,I.SILVER			1	
92145B	92145-0383-8V (OPTION)	SPRING,SHOCK,K=56N/MM,I.SILVER			1	
92161	92161-1172	DAMPER,SHOCKABSORBER			1	

F2291



Ref. No.	Part No.	Description	Spec Code	Quantity-KX450	
				'08	D8F
13236	13236-1346	LEVER-COMP,FRONT BRAKE			1
43015	43015-1674	CYLINDER-ASSY-MASTER,FR			1
43020	43020-1123	PISTON-COMP-BRAKE			1
43022	43022-1010	STOPPER-BRAKE,PISTON			1
43026	43026-1075	CAP-BRAKE			1
43028	43028-1067	DIAPHRAGM			1
43034	43034-1110	HOLDER-BRAKE			1
43095	43095-0286	HOSE-BRAKE,FR			1
49006	49006-1344	BOOT,FRONT BRAKE LEVER			1
49016	49016-1044	COVER-SEAL,MASTER CYLINDER			1
49091	49091-0001	WASHER-SEAL,10.1X14.5X1.5			4
92009	92009-1458	SCREW,4MM			2
92015	92015-1528	NUT,FLANGED,6MM			1
92022	92022-1814	WASHER			1
92150	92150-1451	BOLT,LEVER SET			1
92150A	92150-1452	BOLT			2
92153	92153-0627	BOLT,OIL,L=23			2
92153A	92153-0695	BOLT,6X16			2
92171	92171-0481	CLAMP,BRAKE HOSE,LH			1
92171A	92171-0482	CLAMP,BRAKE HOSE,RH			1

F2292



Ref. No.	Part No.	Description	Spec Code	Quantity-KX450			
				'08			
14079	14079-1097	HOLDER-ASSY,FRONT CALIPER				1	
32085	32085-1361	STOPPER,PAD				1	
41080	41080-0082	DISC,FR				1	
	(OPTION)						
41080A	41080-0090	DISC,FR				1	
43048	43048-1095	PISTON-CALIPER				2	
43049	43049-1060	PACKING,PISTON SEAL				2	
43049A	43049-1061	PACKING,PISTON SEAL				2	
43056	43056-1055	BREATHER				1	
43057	43057-1001	CAP-BREATHER				1	
43080	43080-0006	CALIPER-SUB-ASSY,FR,LH				1	
43082	43082-0049	PAD-ASSY-BRAKE				1	
49006	49006-1088	BOOT,CALIPER				1	
49006A	49006-1242	BOOT,CALIPER				1	
92144	92144-1721	SPRING,PAD				1	
92150	92150-1691	BOLT,HANGER				1	
92151	92151-1799	BOLT,DISC PLATE,6MM				4	
92153	92153-0517	BOLT,SOCKET,8X40				2	

This catalog covers:

'08 KX450D8F Chassis

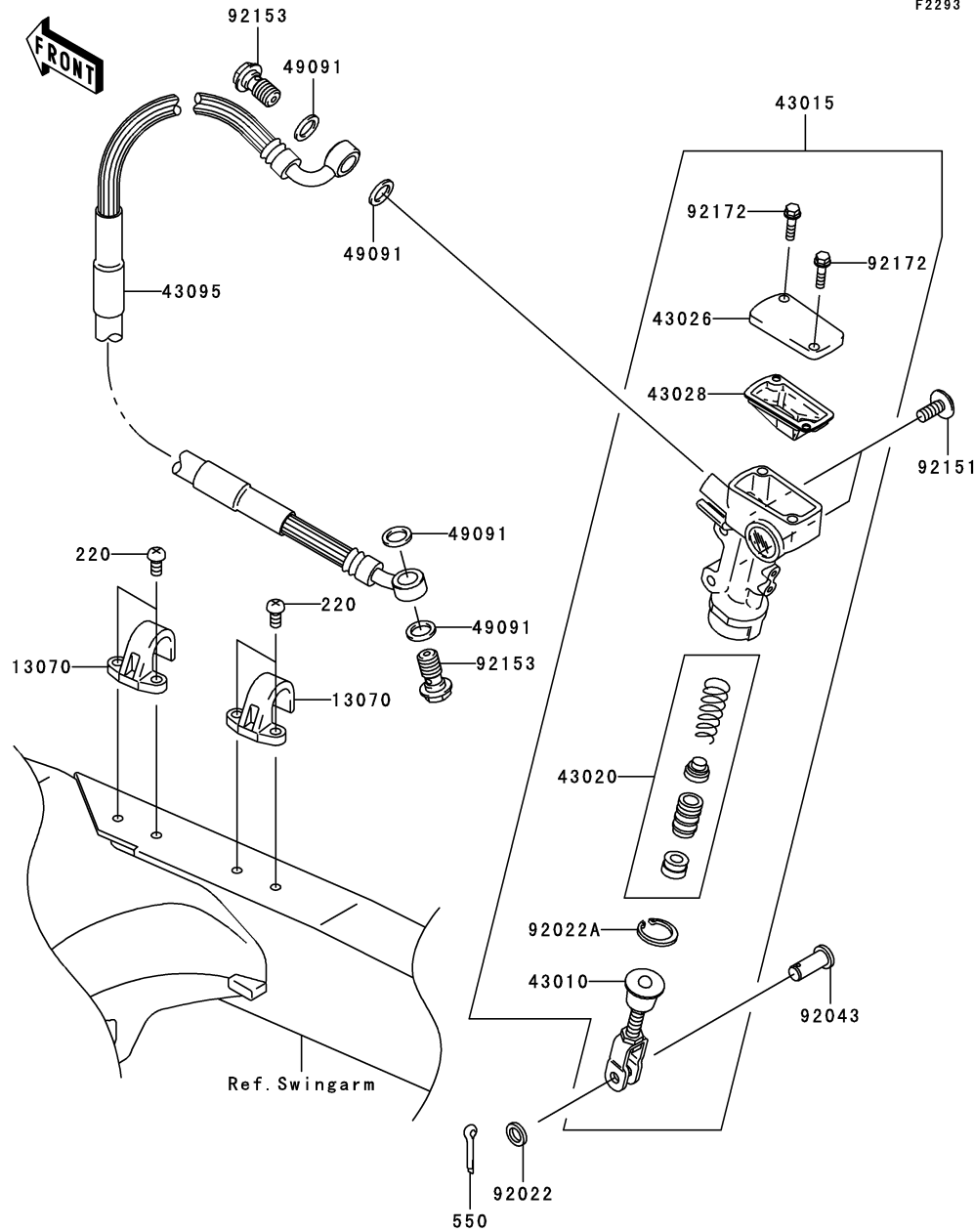
GRID NO.

F-5

This grid covers:

Rear Master Cylinder

F2293



Ref. No.	Part No.	Description	Spec Code	Quantity-KX450	
				'08	D8F
13070	13070-0048	GUIDE,BRAKE HOSE		2	
43010	43010-1087	ROD-ASSY-BRAKE		1	
43015	43015-0004	CYLINDER-ASSY-MASTER,RR		1	
43020	43020-1094	PISTON-COMP-BRAKE		1	
43026	43026-1086	CAP-BRAKE		1	
43028	43028-1092	DIAPHRAGM		1	
43095	43095-0024	HOSE-BRAKE,RR		1	
49091	49091-0001	WASHER-SEAL,10.1X14.5X1.5		4	
92022	92022-1028	WASHER,8.5X13X1		1	
92022A	92022-1601	WASHER,CIRCRIP		1	
92043	92043-0004	PIN		1	
92151	92151-1654	BOLT,SOCKET,6X14		2	
92153	92153-0627	BOLT,OIL,L=23		2	
92172	92172-1064	SCREW		2	
220	220AA0510	SCREW-PAN-CROSS,5X10		4	
550	550D2015	PIN-COTTER,2.0X15		1	

This catalog covers:

'08 KX450D8F Chassis

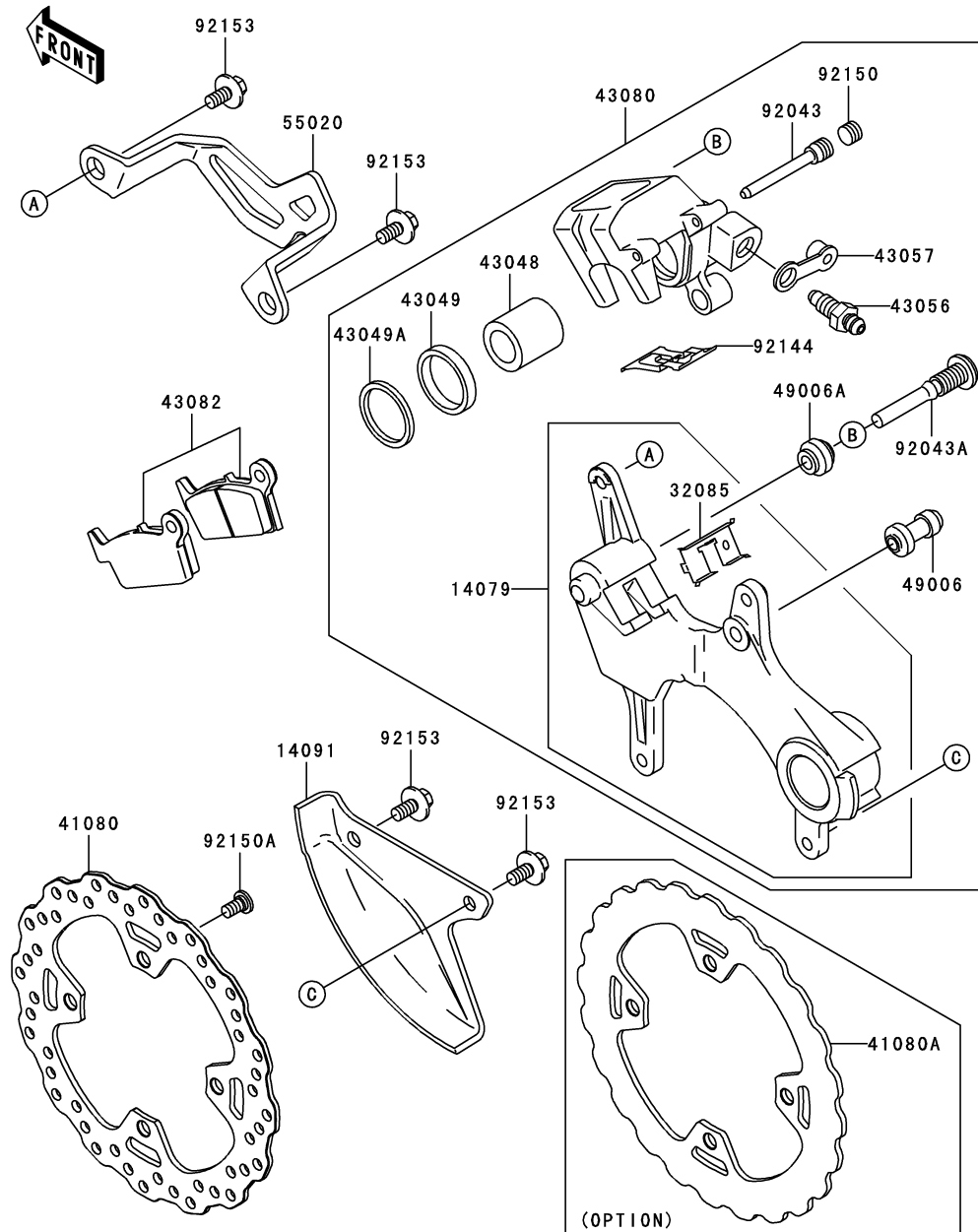
GRID NO.

F-6

This grid covers:

Rear Brake

F2294



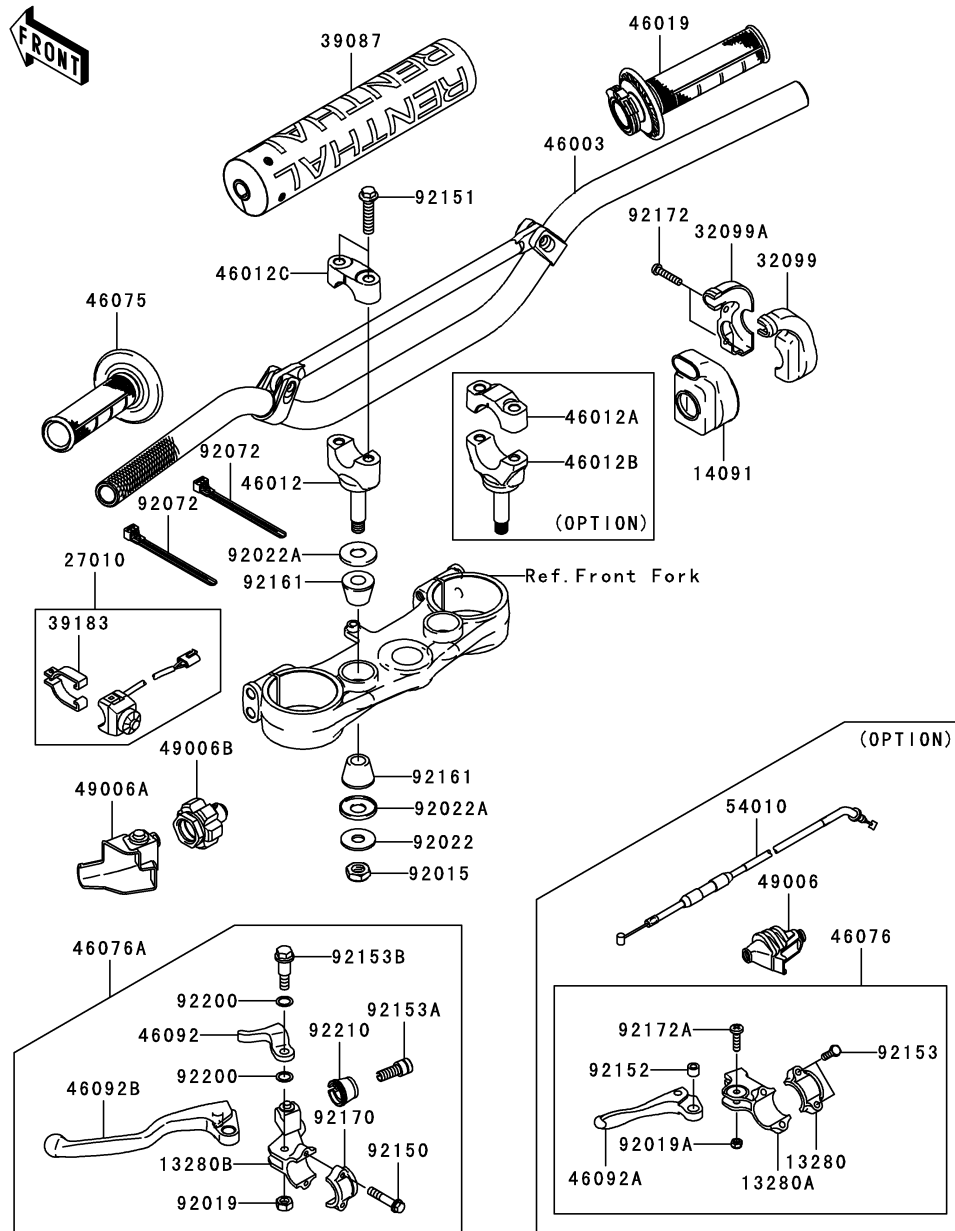
Ref. No.	Part No.	Description	Spec Code	Quantity-KX450			
				'08			
14079	14079-0022	HOLDER-ASSY,REAR CALIPER					1
14091	14091-1523-RZ	COVER,REAR DISC,WHITE					1
32085	32085-1386	STOPPER,PAD					1
41080	41080-0076	DISC,RR					1
41080A	41080-0094	DISC,RR (OPTION)					1
43048	43048-1066	PISTON-CALIPER					1
43049	43049-1063	PACKING					1
43049A	43049-1064	PACKING					1
43056	43056-1055	BREATHER					1
43057	43057-1001	CAP-BREATHER					1
43080	43080-0037	CALIPER-SUB-ASSY,RR					1
43082	43082-0048	PAD-ASSY-BRAKE					1
49006	49006-1088	BOOT,CALIPER					1
49006A	49006-1242	BOOT,CALIPER					1
55020	55020-0397	GUARD,RR CALIPER					1
92043	92043-1507	PIN,HANGER					1
92043A	92043-1508	PIN					1
92144	92144-1819	SPRING,PAD					1
92150	92150-1692	BOLT,PLUG					1
92150A	92150-1811	BOLT,DISC PLATE,8X15					4
92153	92153-0936	BOLT,FLANGED,6X14					4

This catalog covers:
'08 KX450D8F Chassis

GRID NO. **F-7** This grid covers:
Handlebar(1/2)

F2310

Ref. No.	Part No.	Description	Spec Code	Quantity-KX450	
				'08	D8F
13280	13280-0055 (OPTION)	HOLDER		1	
13280A	13280-0056 (OPTION)	HOLDER		1	
13280B	13280-0184	HOLDER,CLUTCH LEVER		1	
14091	14091-0182	COVER,THROTTLE CASE		1	
27010	27010-0047	SWITCH,ENGINE STOP		1	
32099	32099-0002	CASE,THROTTLE,RR		1	
32099A	32099-0003	CASE,THROTTLE,FR		1	
39087	39087-0004	PAD-HANDLE		1	
39183	39183-1059	BAND-ASSY,ENGINE STOP SWITCH		1	
46003	46003-0077	HANDLE		1	
46012	46012-0013-10Y	HOLDER-HANDLE,LWR,M.M.GOLD		2	
46012A	46012-0020-10Y (OPTION)	HOLDER-HANDLE,UPP,FAT BAR,GOLD		2	
46012B	46012-0021-10Y (OPTION)	HOLDER-HANDLE,LWR,FAT BAR,GOLD		2	
46012C	46012-0023-10Y	HOLDER-HANDLE,UPP,M.M.GOLD		2	
46019	46019-0018	GRIP-ASSY,THROTTLE		1	
46075	46075-0044	GRIP,LH		1	
46076	46076-0009 (OPTION)	LEVER-ASSY-GRIP,MANUAL DECOMP		1	
46076A	46076-0035	LEVER-ASSY-GRIP,CLUTCH&STARTER		1	
46092	46092-0001	LEVER-GRIP,STARTER		1	
46092A	46092-0004 (OPTION)	LEVER-GRIP		1	
46092B	46092-0016	LEVER-GRIP,CLUTCH		1	
49006	49006-0011 (OPTION)	BOOT		1	
49006A	49006-0033	BOOT,CLUTCH LEVER		1	
49006B	49006-0060	BOOT,CLUTCH CABLE		1	
54010	54010-0019 (OPTION)	CABLE,MANUAL DECOMP		1	
92015	92015-1962	NUT,LOCK,10MM		2	
92019	92019-008	NUT,LOCK,6MM		1	
92019A	92019-014 (OPTION)	NUT,LOCK,5MM		1	
92022	92022-1088	WASHER,10.2X28X2		2	
92022A	92022-1737	WASHER		4	
92072	92072-0055	BAND,L=100		2	
92150	92150-1474	BOLT		2	

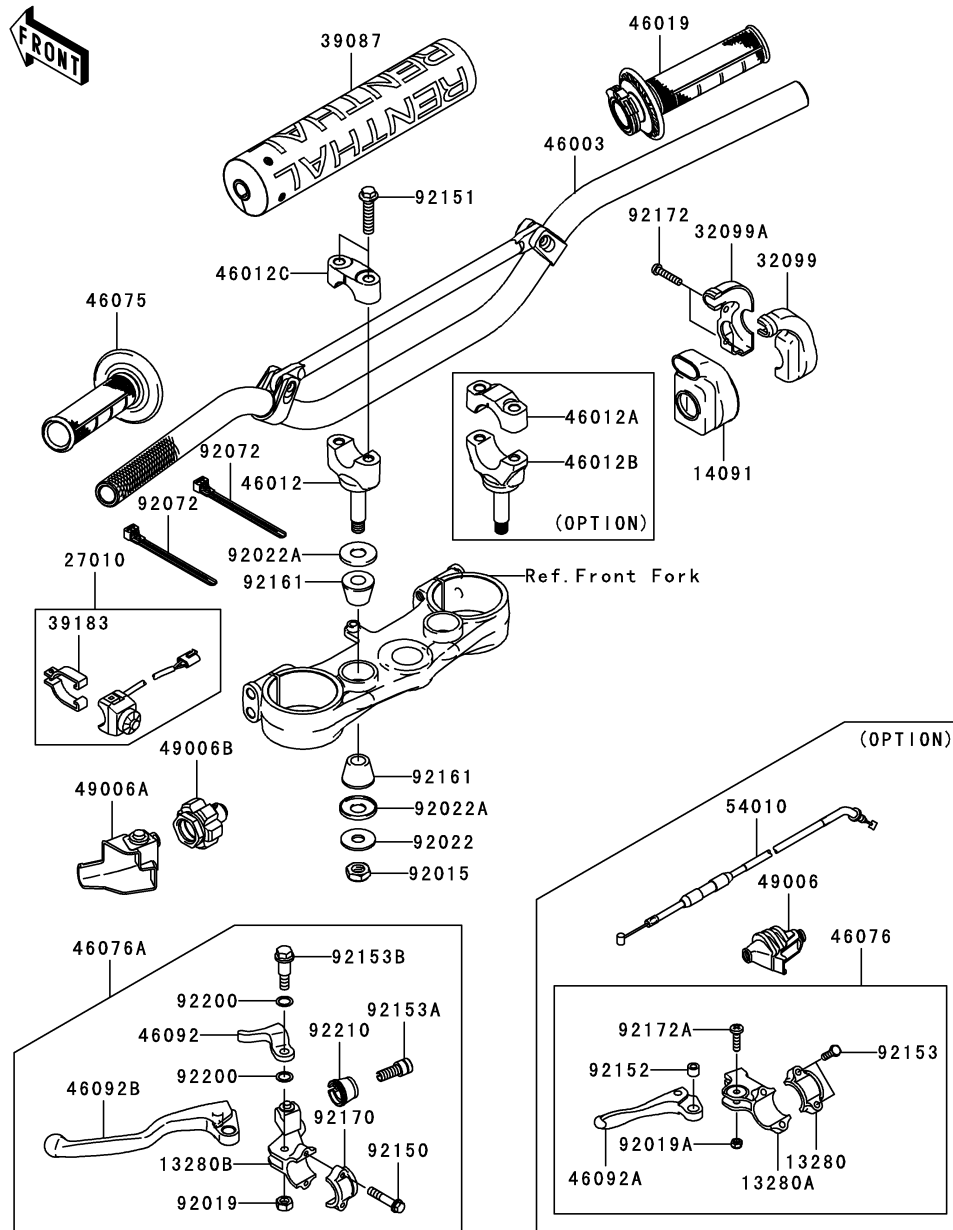


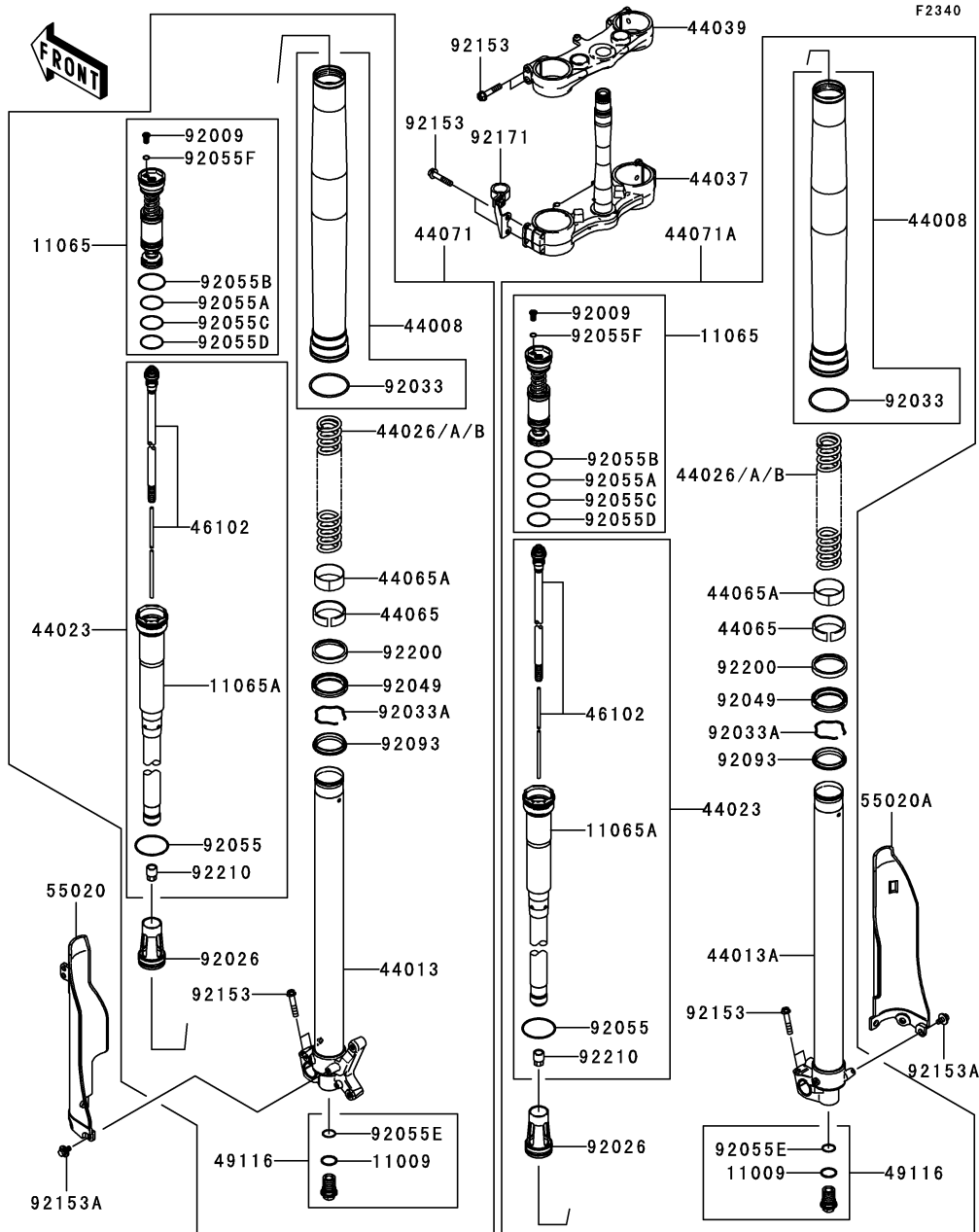
This catalog covers:
'08 KX450D8F Chassis

GRID NO. **F-8** This grid covers:
Handlebar(2/2)

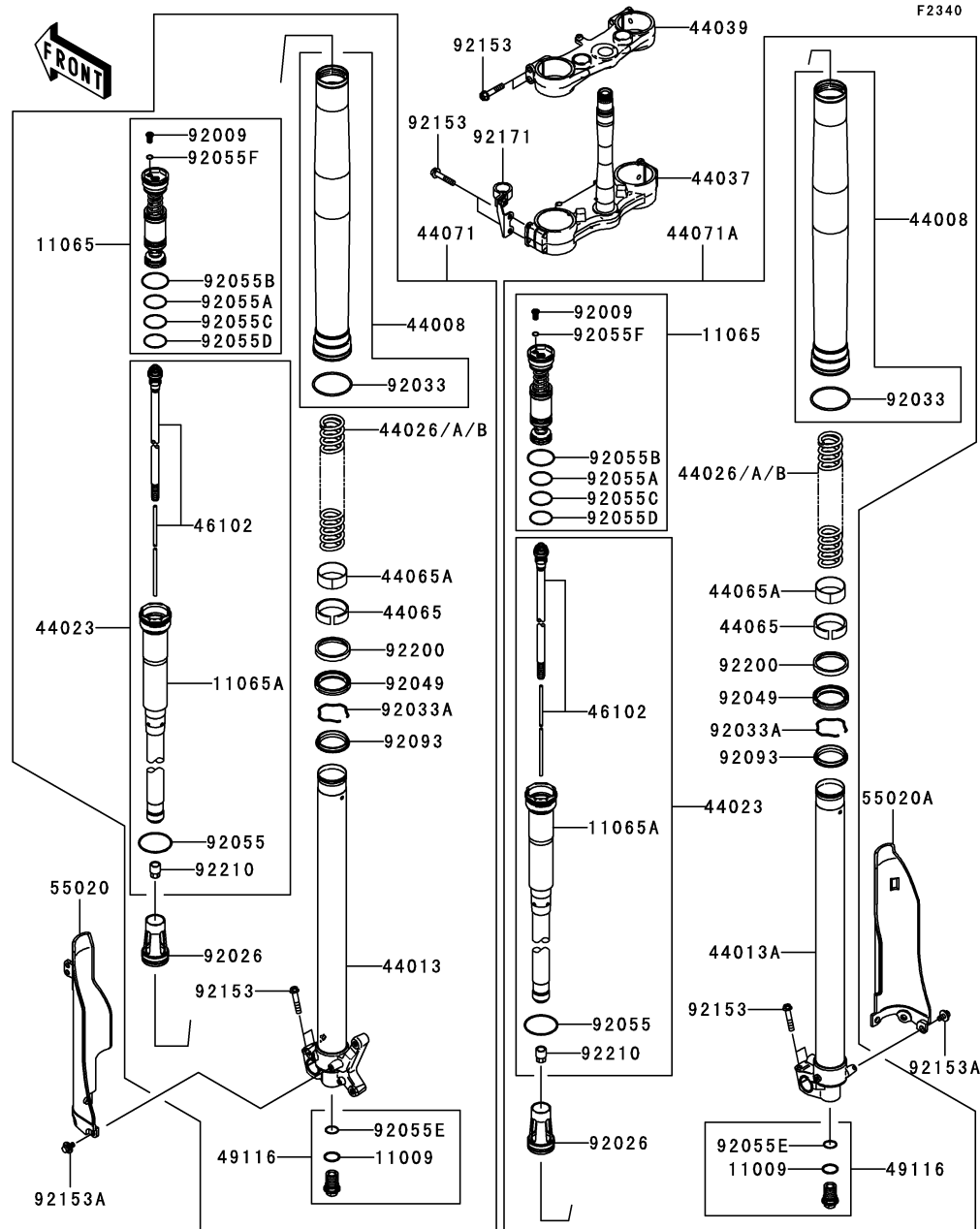
F2310

Ref. No.	Part No.	Description	Spec Code	Quantity-KX450	
				'08	D8F
92151	92151-1537	BOLT,FLANGED,8X35		4	
92152	92152-0135	COLLAR		1	
	(OPTION)				
92153	92153-0617	BOLT,5X16		2	
	(OPTION)				
92153A	92153-0773	BOLT,BOLT ADJUSTING		1	
92153B	92153-1506	BOLT,6MM		1	
92161	92161-0113	DAMPER,HANDLE HOLDER		4	
92170	92170-1226	CLAMP,LEVER HOLDER		1	
92172	92172-0069	SCREW,5X20		2	
92172A	92172-0125	SCREW,5X20		1	
	(OPTION)				
92200	92200-0300	WASHER		2	
92210	92210-0167	NUT,BOLT WIRE ADJUSTING		1	



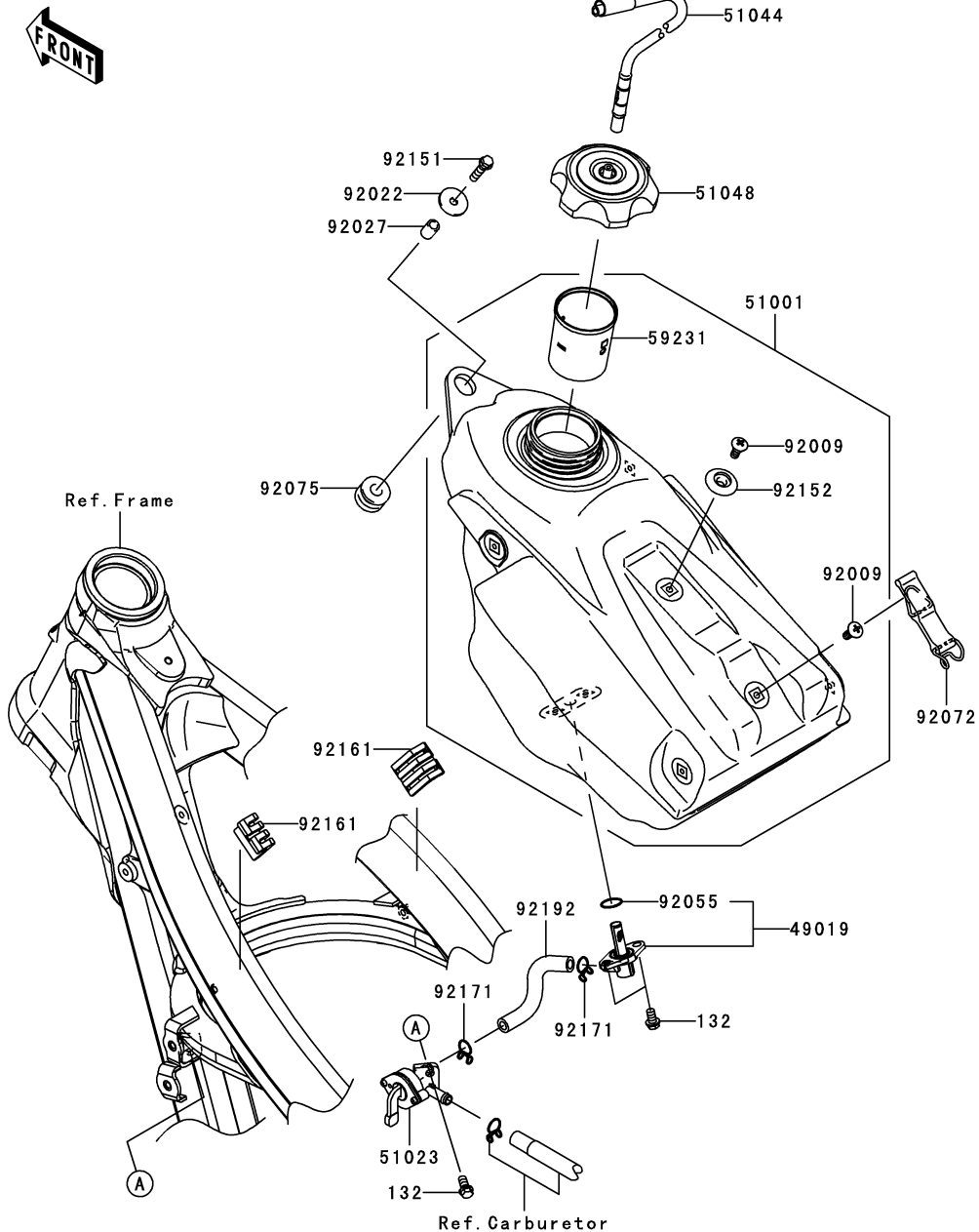


Ref. No.	Part No.	Description	Spec Code	Quantity-KX450			
				'08			
11009	11009-1592	GASKET,FORK CYLINDER BOLT				2	
11065	11065-0230	CAP,BASE VALVE				2	
11065A	11065-0231	CAP,CYLINDER COMP				2	
44008	44008-0040	PIPE-FORK OUTER				2	
44013	44013-0108	PIPE-FORK INNER,LH				1	
44013A	44013-0109	PIPE-FORK INNER,RH				1	
44023	44023-0061	CYLINDER-SET-FORK				2	
44026	44026-0096	SPRING-FRONT FORK,K=4.6N/MM				2	
44026A	44026-0105	SPRING-FRONT FORK,K=4.5N/MM				2	
	(OPTION)						
44026B	44026-0106	SPRING-FRONT FORK,K=4.7N/MM				2	
	(OPTION)						
44037	44037-0075-10Y	HOLDER-FORK UNDER,M.M.GOLD				1	
44039	44039-0035-10Y	HOLDER-FORK UPPER,M.M.GOLD				1	
44065	44065-0021	BUSHING-FRONT FORK				2	
44065A	44065-0022	BUSHING-FRONT FORK				2	
44071	44071-0486	DAMPER-ASSY,FORK,LH				1	
44071A	44071-0487	DAMPER-ASSY,FORK,RH				1	
46102	46102-0105	ROD,PISTON				2	
49116	49116-0020	VALVE-ASSY				2	
55020	55020-0172-RZ	GUARD,FORK,LH,WHITE				1	
55020A	55020-0334-RZ	GUARD,FORK,RH,WHITE				1	
92009	92009-1884	SCREW				2	
92026	92026-0097	SPACER				2	
92033	92033-0049	RING-SNAP				2	
92033A	92033-1329	RING-SNAP				2	
92049	92049-0070	SEAL-OIL				2	
92055	92055-0104	RING-O				2	
92055A	92055-0105	RING-O				2	
92055B	92055-0106	RING-O				2	
92055C	92055-0116	RING-O				2	
92055D	92055-0117	RING-O				2	
92055E	92055-1156	RING-O				2	
92055F	92055-1441	RING-O,2.8X6.6X1.9				2	



Ref. No.	Part No.	Description	Spec Code	Quantity-KX450	
				'08	D8F
92093	92093-1566	SEAL,FORK OUTER TUBE		2	
92153	92153-0484	BOLT,FLANGED,8X40		12	
92153A	92153-0936	BOLT,FLANGED,6X14		6	
92171	92171-0819	CLAMP		1	
92200	92200-0067	WASHER		2	
92210	92210-0337	NUT		2	

F2410



Ref. No.	Part No.	Description	Spec Code	Quantity-KX450		
				'08		
49019	49019-0002	FILTER-FUEL				1
51001	51001-0095-6Z	TANK-COMP-FUEL,F.BLACK				1
51023	51023-0019	TAP-ASSY,FUEL				1
51044	51044-0023	TUBE-ASSY,TANK CAP				1
51048	51048-0009	CAP-ASSY-TANK,FUEL				1
59231	59231-0019	FILLER				1
92009	92009-1971	SCREW,6MM				2
92022	92022-1690	WASHER,6.5X24X2				1
92027	92027-1966	COLLAR,6.8X10X14				1
92055	92055-0078	RING-O,FUEL TAP PACKING				1
92072	92072-0045	BAND,FUEL TANK				1
92075	92075-1787	DAMPER				1
92151	92151-1930	BOLT,FLANGED-SMALL,6X25				1
92152	92152-1346	COLLAR				1
92161	92161-0254	DAMPER,FUEL TANK,SIDE				2
92171	92171-0149	CLAMP				2
92192	92192-0223	TUBE,FUEL				1
132	132BB0612	BOLT-FLANGED-SMALL,6X12				3

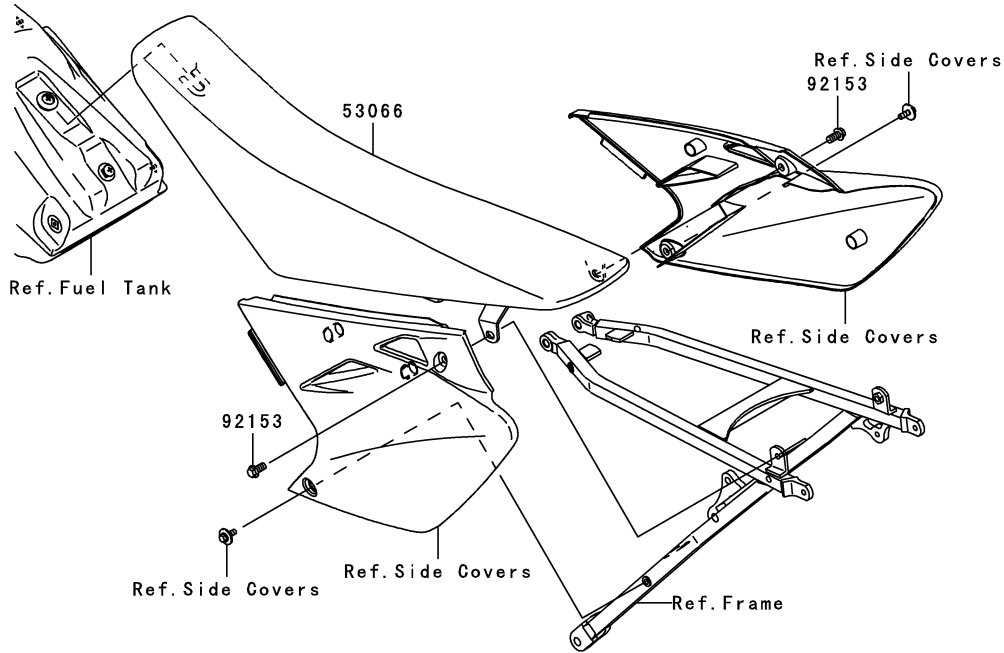
This catalog covers:
'08 KX450D8F Chassis

GRID NO. This grid covers:

F-12 **Seat**

F2510

Ref. No.	Part No.	Description	Spec Code	Quantity-KX450			
				'08			
53066	53066-0131-MA	SEAT-ASSY,BLACK				1	
92153	92153-1308	BOLT,FLANGED,8X16				2	



This catalog covers:

'08 KX450D8F Chassis

GRID NO.

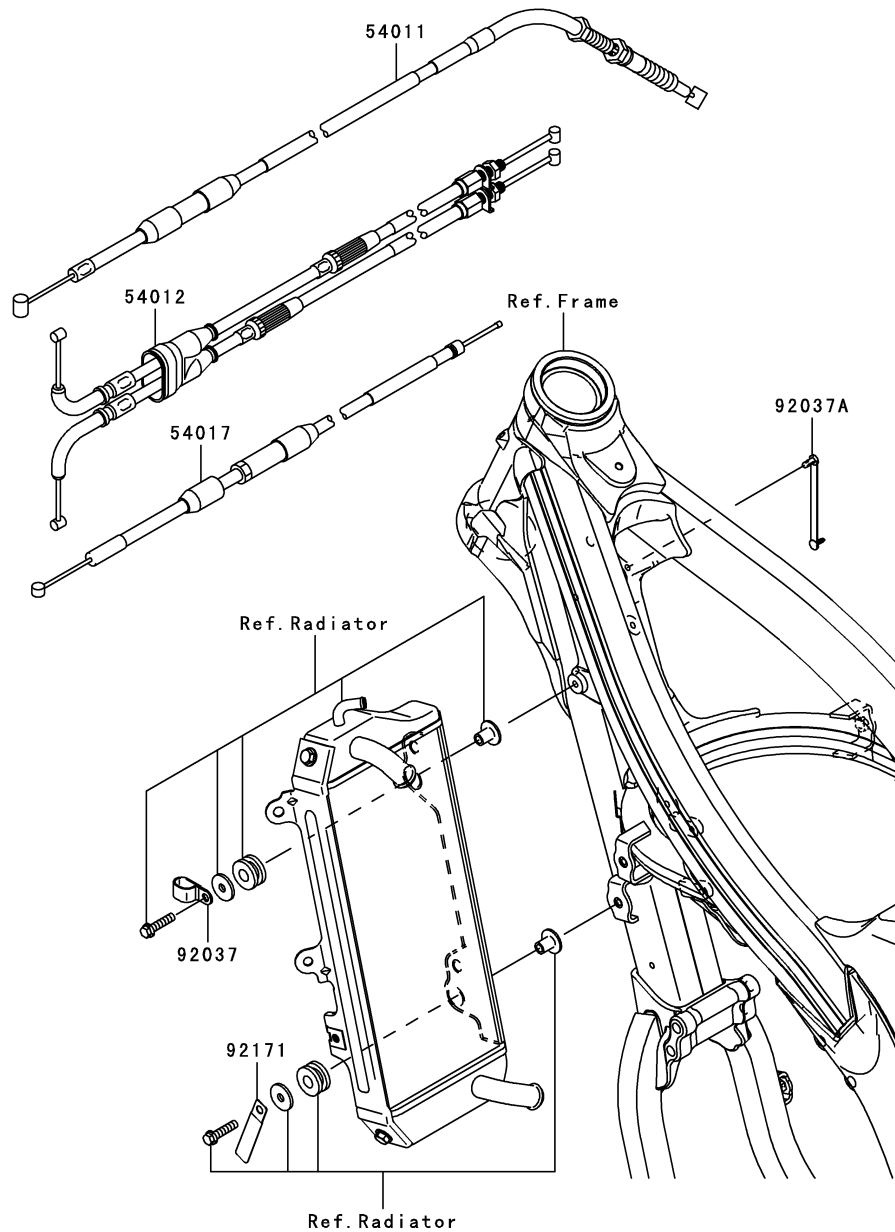
F-13

This grid covers:

Cables

F2540

Ref. No.	Part No.	Description	Spec Code	Quantity-KX450			
				'08			
54011	54011-0045	CABLE-CLUTCH					1
54012	54012-0158	CABLE-THROTTLE					1
54017	54017-0009	CABLE-STARTER					1
92037	92037-1608	CLAMP					1
92037A	92037-1903	CLAMP,SPEED,L=80.5					1
92171	92171-0652	CLAMP					1



This catalog covers:

'08 KX450D8F Chassis

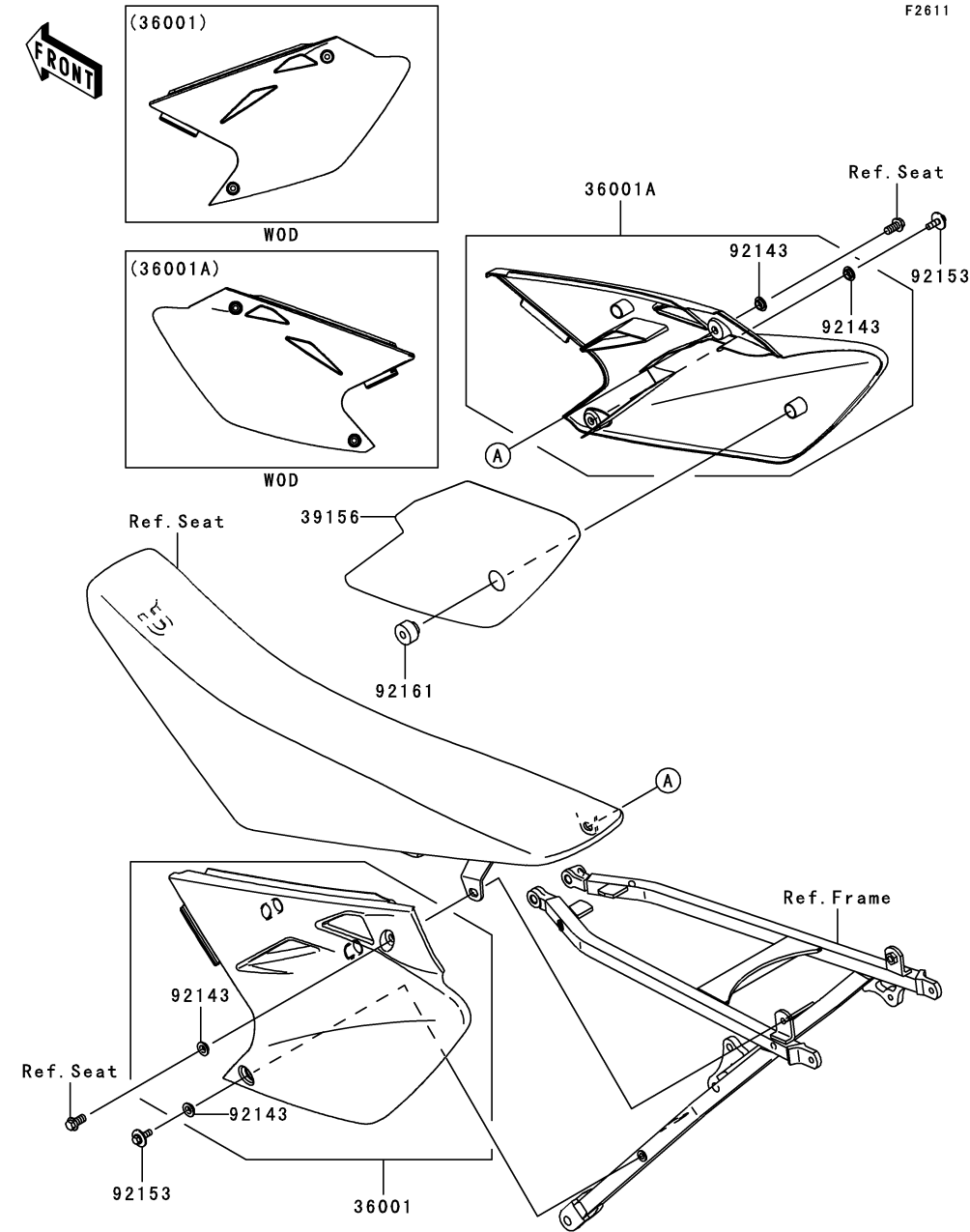
GRID NO.

F-14

This grid covers:

Side Covers

F2611



Ref. No.	Part No.	Description	Spec Code	Quantity-KX450	
				'08	D8F
36001	36001-0084-266	COVER-SIDE,LH,S.WHITE		1	
36001A	36001-0088-266	COVER-SIDE,RH,S.WHITE		1	
39156	39156-0092	PAD,SIDE COVER,RH		1	
92143	92143-1196	COLLAR		4	
92153	92153-0863	BOLT,6X16		2	
92161	92161-0073	DAMPER		1	

This catalog covers:
'08 KX450D8F Chassis

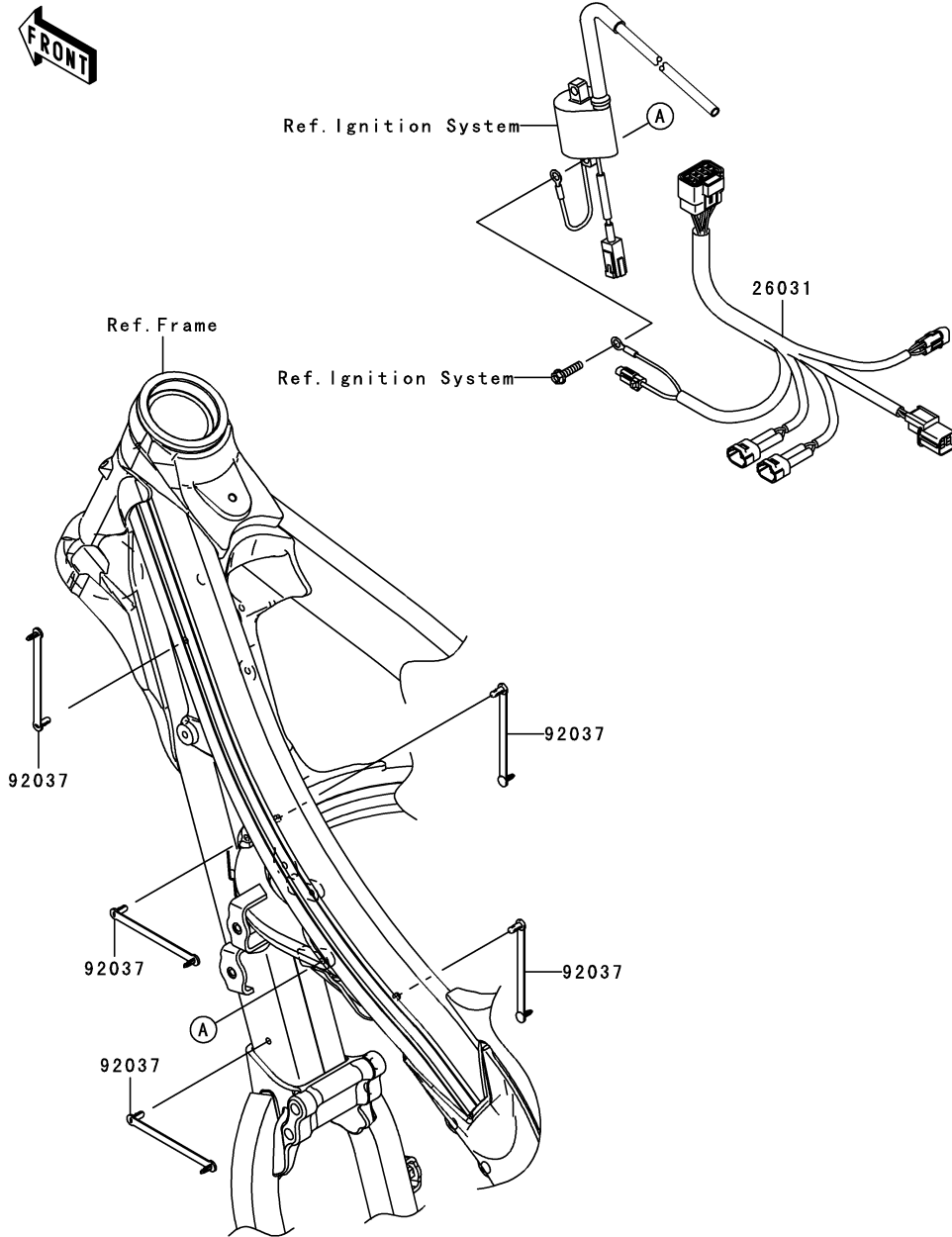
GRID NO.

G-3

This grid covers:
Chassis Electrical Equipment

F2760

Ref. No.	Part No.	Description	Spec Code	Quantity-KX450			
				'08			
26031	26031-0322	HARNESS		1			
92037	92037-1903	CLAMP,SPEED,L=80.5		5			



This catalog covers:

'08 KX450D8F Chassis

GRID NO.

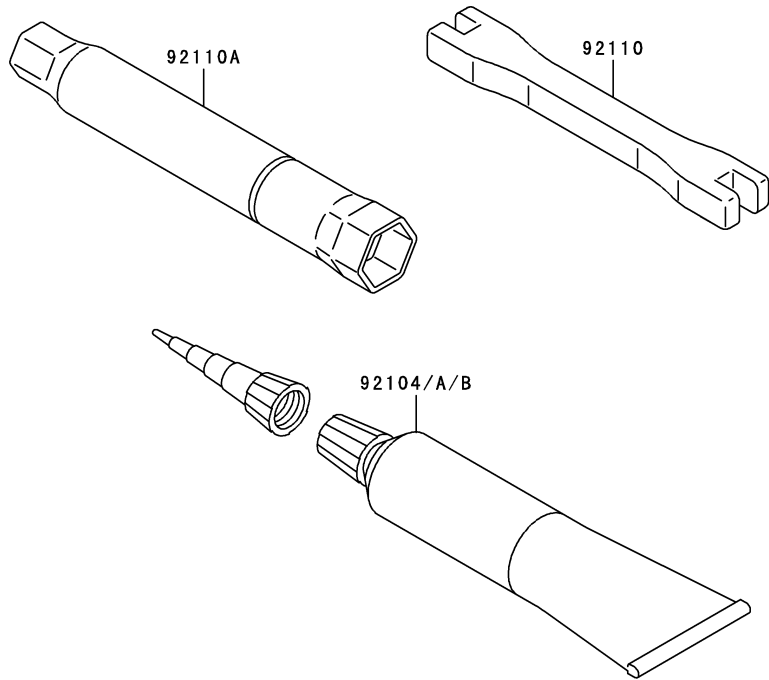
G-4

This grid covers:

Owner's Tools

F2810

Ref. No.	Part No.	Description	Spec Code	Quantity-KX450			
				'08			
				D8F			
92104	92104-0004	GASKET-LIQUID,TB1211F					1
92104A	92104-1063	GASKET-LIQUID,TB1216,GRAY					1
92104B	92104-1064	GASKET-LIQUID,BLACK TB1216B					1
92110	92110-0004	TOOL-WRENCH,NIPPLE,6X8					1
92110A	92110-0005	TOOL-WRENCH,BOX,16MM					1



This catalog covers:
'08 KX450D8F Chassis

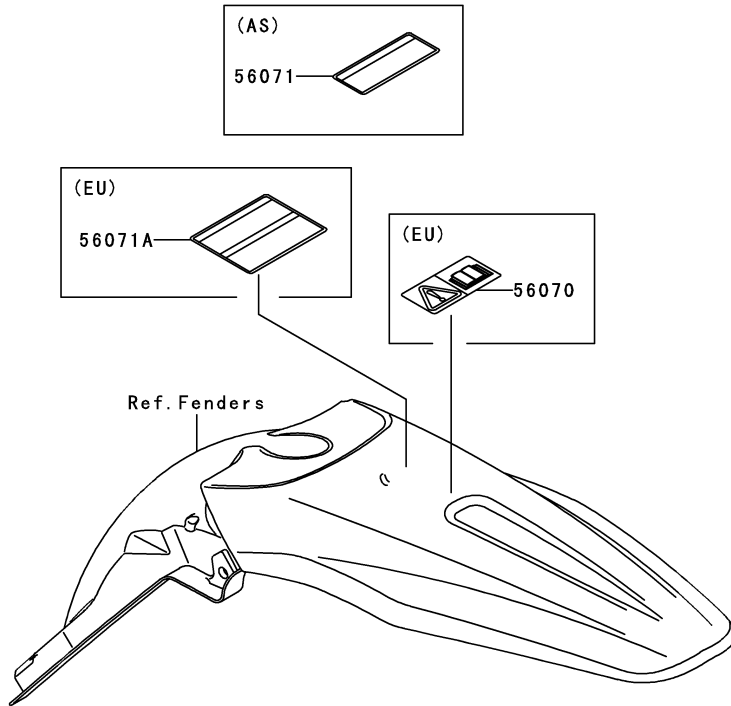
GRID NO. This grid covers:

G-5 Labels

F2860



Ref. No.	Part No.	Description	Spec Code	Quantity-KX450			
				'08			
56070	56070-3799	LABEL-WARNING,OWNER'S MANUAL					
		L-----	EU	1			
56071	56071-0028	LABEL-WARNING,IMPORTANT NOTICE					
		L-----	AS	1			
56071A	56071-0029	LABEL-WARNING,IMPORTANT NOTICE					
		L-----	EU	1			



This catalog covers:

'08 KX450D8F Chassis

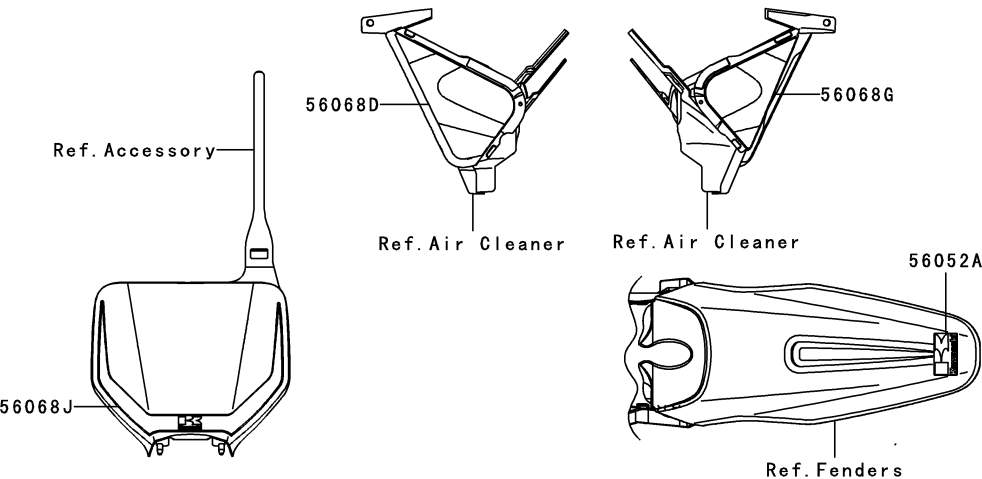
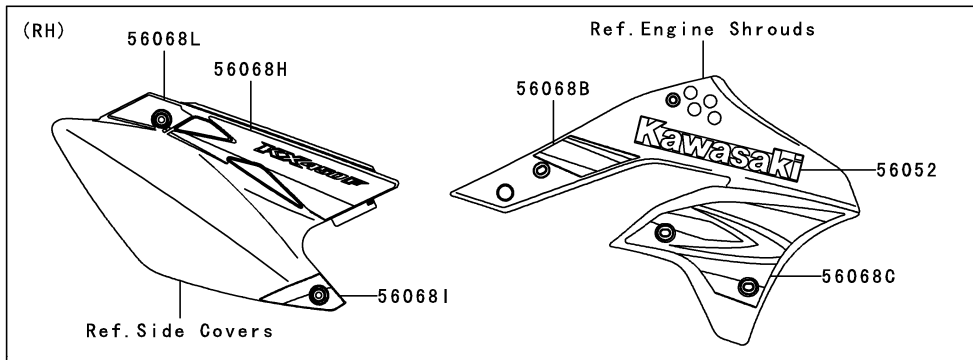
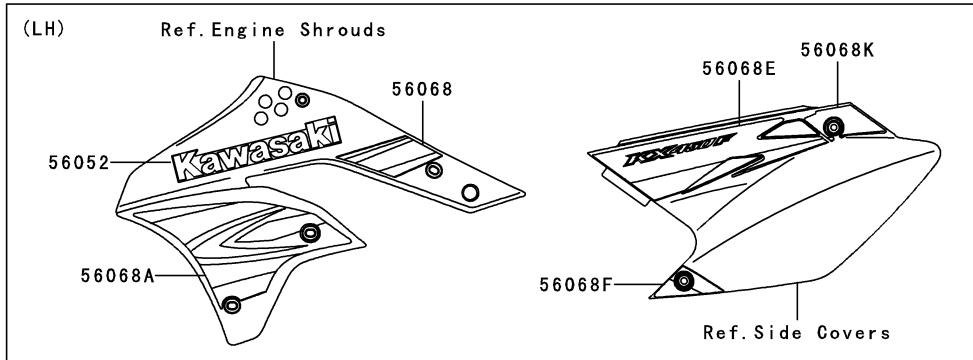
GRID NO.

G-6

This grid covers:

Decals

F2861

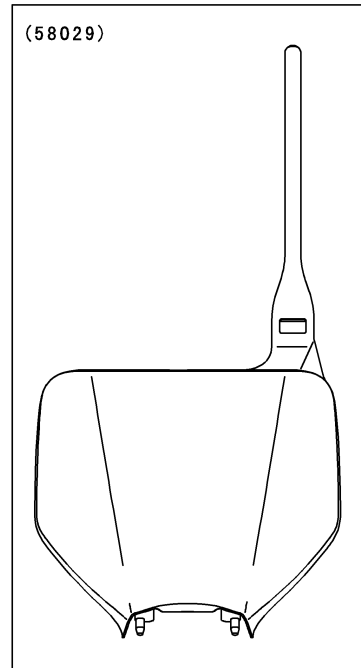
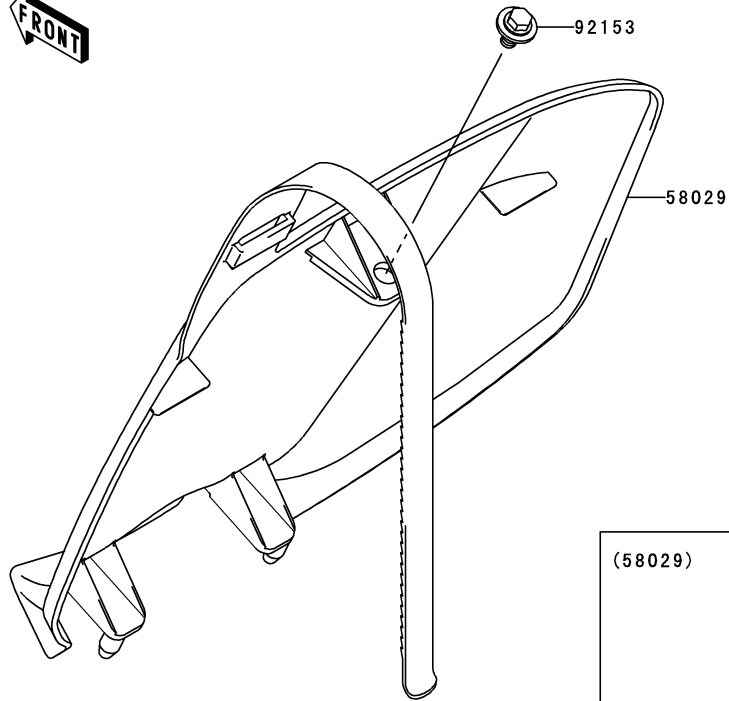


Ref. No.	Part No.	Description	Spec Code	Quantity-KX450			
				'08			
56052	56052-0886	MARK,SHROUD,KAWASAKI					2
56052A	56052-0887	MARK,RR FENDER,KAWASAKI					1
56068	56068-0199	PATTERN,SHROUD,UPP,LH					1
56068A	56068-0200	PATTERN,SHROUD,LWR,LH					1
56068B	56068-0201	PATTERN,SHROUD,UPP,RH					1
56068C	56068-0202	PATTERN,SHROUD,LWR,RH					1
56068D	56068-0203	PATTERN,AIR CLEANER,LH					1
56068E	56068-0204	PATTERN,SIDE COVER,UPP,LH					1
56068F	56068-0205	PATTERN,SIDE COVER,LWR,LH					1
56068G	56068-0206	PATTERN,AIR CLEANER,RH					1
56068H	56068-0207	PATTERN,SIDE COVER,UPP,RH					1
56068I	56068-0208	PATTERN,SIDE COVER,LWR,RH					1
56068J	56068-0209	PATTERN,NUMBER PLATE					1
56068K	56068-0734	PATTERN,SIDE COVER,UPP,RR,LH					1
56068L	56068-0735	PATTERN,SIDE COVER,UPP,RR,RH					1

This catalog covers:
'08 KX450D8F Chassis

GRID NO. **G-7** This grid covers:
Accessory

F2910



W0D

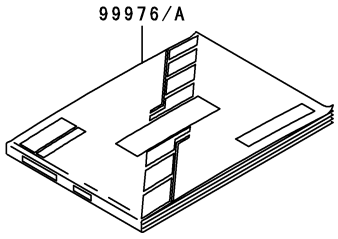
Ref. No.	Part No.	Description	Spec Code	Quantity-KX450			
				'08			
58029	58029-0003-266	PLATE-NUMBER,S.WHITE					1
92153	92153-0503	BOLT,6X12					1

This catalog covers:
'08 KX450D8F Chassis

GRID NO. **G-8** This grid covers:
Manual(EU)

F2920

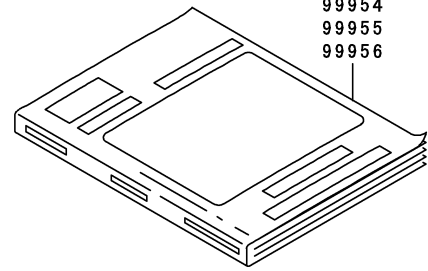
Owner's Manual
 (Local Procurement)



99976/A

Ref. No.	Language
(99976)	English
	French
	German
(99976A)	Italian
	Spanish Dutch

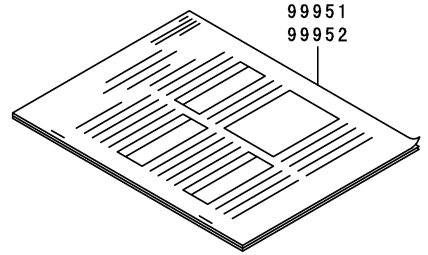
Service Manual



99924
99953
99954
99955
99956

Ref. No.	Language
(99924)	English
(99953)	German
(99954)	French
(99955)	Italian
(99956)	Spanish

A&P Manual



99939
99946
99950
99951
99952

Ref. No.	Language
(99939)	English
(99946)	German
(99950)	French
(99951)	Italian
(99952)	Spanish

Ref. No.	Part No.	Description	Spec Code	Quantity-KX450			
				'08			
99924	99924-1355-03	SERVICE MANUAL,ENGLISH					
	L-----		EU	1			
99939	99939-1315-03	A&P MANUAL,ENGLISH					
	L-----		EU	1			
99946	99946-1035-01	A&P MANUAL,GERMAN					
	L-----		EU	1			
99950	99950-1040-01	A&P MANUAL,FRENCH					
	L-----		EU	1			
99951	99951-1026-01	A&P MANUAL,ITALIAN					
	L-----		EU	1			
99952	99952-1010-01	A&P MANUAL,SPANISH					
	L-----		EU	1			
99953	99953-1032-01	SERVICE MANUAL,GERMAN					
	L-----		EU	1			
99954	99954-1041-01	SERVICE MANUAL,FRENCH					
	L-----		EU	1			
99955	99955-1024-01	SERVICE MANUAL,ITALIAN					
	L-----		EU	1			
99956	99956-1008-01	SERVICE MANUAL,SPANISH					
	L-----		EU	1			
99976	99976-1393	OWNER'S MANUAL,EN/FR/DE					
	L-----		EU	1			
99976A	99976-1394	OWNER'S MANUAL,IT/ES/NL					
	L-----		EU	1			

This catalog covers:
'08 KX450D8F

GRID NO. This grid covers:
L-13 Numerical Parts Index

Part No.	Grid No.	Part No.	Grid No.	Part No.	Grid No.	Part No.	Grid No.	Part No.	Grid No.	Part No.	Grid No.
11004-0045	B-3	13037-0131	B-11	13262-0390	B-14	14091-0209	C-7	21007-0112	C-12	39111-0033	E-6
11005-0088	B-5	13041-0022	B-11	13262-0391	B-14	14091-0587	C-7	21083-0035	C-8	39156-0092	F-14
11008-0143	B-3	13041-0023	B-11	13262-0392	B-14	14091-0588	C-7	21119-0090	C-13	39183-1059	F-7
11009-1592	F-9	13042-0005	B-10	13262-0393	B-14	14091-0796	B-4	21121-0016	C-13	39193-0027	B-3
11011-0055-6Z	B-6	13061-0146	B-12	13262-0394	B-14	14091-1523-RZ	F-6	21160-0011	C-13	41009-0118	E-10
11012-1552	E-14	13064-0051	B-12	13262-0395	B-14	15004-0011	C-7	21176-0016	C-8	41009-0119	E-10
11012-1581	E-11	13066-0008	B-12	13262-0396	B-14	16007-0022	B-9	220AA0510	F-5	41022-0022	E-10
11013-0011	B-6	13070-0029	E-14	13262-0397	B-14	16012-0002	C-7	220D0408	C-9	41022-0023	E-10
11054-0300	E-4	13070-0048	F-5	13262-0398	B-14	16014-0004	C-7	220D0414	C-9	41023-0009	E-10
11060-1300	B-3	13070-1362	E-14	13271-0241	C-7	16016-0009	C-7	26031-0322	G-3	41023-0010	E-10
11061-0077	C-7	13070-1378	B-12	13271-0334	C-5	16016-0017	C-7	27010-0047	F-7	41024-009	E-10
11061-0079	B-4	13078-0008	B-12	13271-0345	C-5	16021-0013	C-7	290CA0808	B-12	41024-010	E-10
11061-0082	B-7	13078-0012	C-4	13271-0593	E-5	16025-0009	C-7	31064-0127	B-8	41024-011	E-10
11061-0082	B-8	13087-0015	B-13	13271-0675	B-3	16025-0013	C-7	31064-0128	B-7	41025-0015	E-10
11061-0084	C-6	13088-0010	B-13	13271-0730	B-6	16030-1057	C-7	311G0600	C-4	41025-0094-WC	E-10
11061-0145	C-6	13088-0012	B-13	13271-0893	C-4	16031-1100	C-7	32054-0020	E-7	41025-0095-WC	E-10
11061-0160	B-5	13089-1005	B-13	13271-1833	E-5	16039-0230	C-7	32054-0021	E-7	41029-0003	E-10
11061-0185	B-4	13089-1010	B-13	13280-0038	B-3	16041-0004	C-7	32085-1361	F-4	41029-1204	E-10
11061-0224	C-6	13089-1095	B-13	13280-0055	F-7	16044-007	C-7	32085-1386	F-6	41029-1330	E-10
11061-0225	C-14	13095-0052	B-13	13280-0056	F-7	16049-1051	C-7	32099-0002	F-7	41030-1172	E-10
11061-0226	B-7	13097-0013	B-11	13280-0067	B-13	16065-0050	B-3	32099-0003	F-7	41032-0002	E-10
11061-0226	B-8	130G0512	B-6	13280-0108	B-6	16130-1058	C-10	32160-0244	E-3	41032-1077	E-10
11061-0260	B-10	130G0514	C-12	13280-0170	B-6	16142-0029	C-14	32160-0298	E-3	41032-1085	E-10
11065-0107	C-11	130L0520	C-13	13280-0184	F-7	16142-0042	C-10	32190-0330	E-4	41032-1086	E-10
11065-0230	F-9	130P0820	E-4	132BA0614	C-4	16142-0049	C-10	32190-0331	E-4	41032-1086	E-10
11065-0231	F-9	13102-0022	B-13	132BA0616	B-12	16154-0069	C-10	32190-0351	E-4	41034-0035-10Y	E-12
11065-1253	E-12	13107-0056	C-10	132BA0616	C-10	16157-0003	C-7	32190-0352	E-4	41034-0037-10Y	E-11
12004-0018	B-9	13107-0134	C-10	132BA0620	C-10	16159-0004	C-7	33001-0108	E-5	41068-0004	E-11
12005-0036	B-9	13107-0135	C-14	132BB0612	B-3	16170-0003	C-7	33032-0012	E-5	41068-1466	E-12
12009-0008	B-9	13116-0013	B-13	132BB0612	F-11	16187-0188	C-7	33040-0020	E-5	41080-0076	F-6
12011-1003	B-9	13127-0046	B-14	132BB0625	D-3	16187-0189	C-7	33040-1189	E-5	41080-0082	F-4
12032-0004	B-9	13128-0033	B-14	132G0640	C-11	16187-0190	C-7	34024-1396-458	E-9	41080-0090	F-4
12046-0043	B-10	13140-0043	C-3	132L0608	C-14	16187-0191	C-7	34028-0014	E-7	41080-0094	F-6
12048-0021	B-10	13140-0044	C-3	132L0608	C-5	16187-0192	C-7	34028-0015	E-7	41090-0012	E-10
12053-0031	B-10	13141-0029	C-3	132L0818	B-7	16187-0212	C-7	35004-0078-290	E-8	41090-5212	E-10
12053-0051	B-10	13144-0017	B-14	132L0818	B-8	16187-0213	C-7	35019-0050	E-8	41090-5213	E-10
12053-0053	E-5	13145-0031	C-3	14001-0110	C-5	16187-0214	C-7	35023-0100-290	E-8	410B0800	E-12
12053-0056	C-6	13151-0008	C-3	14013-0001	B-10	16187-0215	C-7	36001-0084-266	F-14	411AB0800	B-7
12053-0061	E-5	13156-0084	C-4	14024-1971	C-7	16187-0216	C-8	36001-0088-266	F-14	411AB0800	B-8
12053-0064	B-10	13161-0045	C-4	14026-0047	C-6	172G0612	C-4	39007-0073	E-6	411S0600	B-7
12053-0065	B-10	13165-0017	C-4	14031-0090	C-6	18046-0081	B-7	39061-0052	D-3	411S0600	B-8
120CA0612	B-3	13168-0051	C-7	14032-0062	C-6	18046-0097	B-8	39061-0053	D-3	42036-0019	E-5
13001-0073	B-5	13187-0007	B-13	14032-0101	C-6	18088-0356	B-7	39062-0083	D-5	42036-0020	E-6
13002-0016	B-5	13206-0005	B-12	14037-0036-RZ	D-3	18088-0356	B-8	39062-0084	D-5	42036-0021	E-6
13008-0018	B-5	13234-0009	B-3	14037-0037-RZ	D-3	18100-0076	B-8	39062-0085	D-5	42036-0022	E-6
13031-0096	B-11	13234-0036	C-10	14044-0014	B-13	18100-0077	B-7	39062-0087	D-5	42036-0030	E-6
13032-0064	B-11	13236-0086	E-13	14073-0085	B-6	21003-0075	C-12	39062-0088	D-5	42036-1351	E-6
13034-0006	B-11	13236-0129	C-4	14079-0022	F-6	21007-0077	C-12	39062-0089	D-5	42041-0001	E-12
13035-0013	B-11	13236-1346	F-3	14079-1097	F-4	21007-0080	C-12	39062-0224	D-5	42041-1383	E-12
13037-0111	B-11	13256-0002	E-14	14091-0182	F-7	21007-0096	C-12	39087-0004	F-7	42041-1384	E-12

This catalog covers:
'08 KX450D8F

GRID NO.

L-14

This grid covers:

Numerical Parts Index

Part No.	Grid No.	Part No.	Grid No.	Part No.	Grid No.	Part No.	Grid No.	Part No.	Grid No.	Part No.	Grid No.
42041-1408	E-12	45014-0188-8V	E-14	49107-0077	B-7	59051-0070	B-11	92019-014	F-7	92033-0044	E-14
42041-1428	E-12	45014-0217-8V	E-14	49107-0077	B-8	59051-0071	B-11	92022-1028	F-5	92033-0049	F-9
42041-1429	E-12	46003-0077	F-7	49116-0020	F-9	59051-0075	B-11	92022-1088	F-7	92033-1041	E-12
42041-1448	E-12	46012-0013-10Y	F-7	49118-0087	B-10	59231-0019	F-11	92022-1356	B-11	92033-1172	B-14
42041-1449	E-12	46012-0020-10Y	F-7	49118-0088	B-10	59256-0003	C-14	92022-1601	F-5	92033-1209	E-14
42041-1450	E-12	46012-0021-10Y	F-7	49121-0001	C-8	600A0800	B-12	92022-161	B-3	92033-1329	F-9
42041-1451	E-12	46012-0023-10Y	F-7	51001-0095-6Z	F-11	610A0408	C-10	92022-1690	F-11	92036-008	B-5
43010-1087	F-5	46019-0018	F-7	51023-0019	F-11	610A0408	C-14	92022-1737	F-7	92037-1396	C-8
43015-0004	F-5	46075-0044	F-7	51044-0023	F-11	610A0408	C-3	92022-1814	F-3	92037-1608	F-13
43015-1674	F-3	46076-0009	F-7	51048-0009	F-11	610A0408	C-6	92022-1827	C-4	92037-1903	F-13
43020-1094	F-5	46076-0035	F-7	510A3200	C-12	670B2012	E-13	92022-1829	E-7	92037-1903	G-3
43020-1123	F-3	46092-0001	F-7	52005-0019	C-6	670D1507	C-5	92022-1868	B-13	92037-1993	C-6
43022-1010	F-3	46092-0004	F-7	52010-1053	C-11	670D2010	B-10	92022-1885	B-12	92042-007	B-3
43026-1075	F-3	46092-0016	F-7	53066-0131-MA	F-12	670D2010	C-11	92022-1944	B-12	92042-007	C-6
43026-1086	F-5	46102-0033	C-8	54010-0019	F-7	92002-1327	B-4	92022-250	E-3	92043-0004	F-5
43028-0006	C-8	46102-0104	E-14	54011-0045	F-13	92002-1955	E-14	92022-271	B-12	92043-0074	E-7
43028-1067	F-3	46102-0105	F-9	54012-0158	F-13	92004-0025	B-3	92022-304	C-14	92043-1262	C-6
43028-1092	F-5	46102-0121	E-14	54017-0009	F-13	92005-0014	C-6	92022-304	C-5	92043-1506	C-5
43034-1110	F-3	461S0600	B-7	55020-0172-RZ	F-9	92005-0016	C-8	92025-1870	B-9	92043-1507	F-6
43048-1066	F-6	461S0600	B-8	55020-0179-RZ	E-4	92005-0018	B-3	92025-1871	B-9	92043-1508	F-6
43048-1095	F-4	480J1000	C-14	55020-0334-RZ	F-9	92005-0066	D-5	92025-1872	B-9	92043-1654	C-3
43049-1060	F-4	480J1800	B-12	55020-0369	E-4	92005-0067	D-5	92025-1873	B-9	92043-1676	C-4
43049-1061	F-4	480J1900	B-12	55020-0397	F-6	92009-1458	F-3	92025-1874	B-9	92043-4009	B-3
43049-1063	F-6	480J3200	B-11	550D2015	F-5	92009-1551	C-8	92025-1875	B-9	92043-4009	B-5
43049-1064	F-6	481J2000	C-6	550D3035	E-12	92009-1571	C-3	92025-1876	B-9	92045-0024	C-5
43056-1055	F-4	481J2100	C-5	550S3020	E-7	92009-1828	E-5	92025-1877	B-9	92045-0035	C-5
43056-1055	F-6	481J4000	C-5	56052-0886	G-6	92009-1876	C-8	92025-1878	B-9	92045-0036	C-5
43057-1001	F-4	482J5000	B-10	56052-0887	G-6	92009-1884	F-9	92025-1879	B-9	92045-0037	C-5
43057-1001	F-6	49002-0007	B-3	56068-0199	G-6	92009-1971	F-11	92025-1880	B-9	92045-0038	C-5
43078-0031	E-14	49006-0011	F-7	56068-0200	G-6	92009-1981	C-8	92025-1881	B-9	92045-0039	C-6
43080-0006	F-4	49006-0033	F-7	56068-0201	G-6	92009-1993	E-8	92025-1882	B-9	92045-0057	C-5
43080-0037	F-6	49006-0060	F-7	56068-0202	G-6	92015-1014	E-5	92025-1883	B-9	92045-0060	E-4
43082-0048	F-6	49006-1088	F-4	56068-0203	G-6	92015-1078	E-5	92025-1884	B-9	92045-0062	C-5
43082-0049	F-4	49006-1088	F-6	56068-0204	G-6	92015-1156	B-11	92025-1885	B-9	92045-0074	C-5
43089-0018	E-14	49006-1242	F-4	56068-0205	G-6	92015-1156	C-12	92025-1886	B-9	92045-1284	E-10
43095-0024	F-5	49006-1242	F-6	56068-0206	G-6	92015-1259	B-6	92025-1887	B-9	92045-1284	E-11
43095-0286	F-3	49006-1344	F-3	56068-0207	G-6	92015-1339	E-4	92025-1888	B-9	92045-1432	C-5
44008-0040	F-9	49016-1044	F-3	56068-0208	G-6	92015-1402	B-7	92025-1889	B-9	92045-1446	E-12
44013-0108	F-9	49019-0002	F-11	56068-0209	G-6	92015-1402	B-8	92025-1890	B-9	92046-1010	C-5
44013-0109	F-9	49047-0017	C-3	56068-0734	G-6	92015-1432	E-4	92025-1892	B-9	92046-1148	C-5
44023-0061	F-9	49047-0028	C-3	56068-0735	G-6	92015-1433	E-6	92025-1983	B-9	92046-1151	E-6
44026-0096	F-9	49065-0019	C-11	56070-3799	G-5	92015-1528	F-3	92025-1984	B-9	92046-1174	E-5
44026-0105	F-9	49065-0022	C-11	56071-0028	G-5	92015-1703	E-14	92025-1985	B-9	92046-1190	B-13
44026-0106	F-9	49078-0018	B-9	56071-0029	G-5	92015-1704	E-14	92026-0064	C-6	92046-1221	C-5
44037-0075-10Y	F-9	49078-0043	B-9	58029-0003-266	G-7	92015-1725	B-13	92026-0097	F-9	92046-1240	E-5
44039-0035-10Y	F-9	49085-1078	D-3	59006-0011	B-6	92015-1791	E-3	92026-1217	C-4	92046-1301	E-14
44065-0021	F-9	49089-0038-290	D-4	59051-0030	B-12	92015-1861	E-3	92027-1966	F-11	92046-1301	E-6
44065-0022	F-9	49089-0039-290	D-4	59051-0044	C-10	92015-1962	F-7	92028-1857	B-14	92049-0030	C-5
44071-0486	F-9	49091-0001	F-3	59051-0045	C-10	92015-1963	B-14	92033-0018	C-8	92049-0040	C-6
44071-0487	F-9	49091-0001	F-5	59051-0046	B-12	92019-008	F-7	92033-0019	C-10	92049-0041	C-6

This catalog covers:
'08 KX450D8F

GRID NO. L-15 This grid covers:
Numerical Parts Index

Part No.	Grid No.	Part No.	Grid No.	Part No.	Grid No.	Part No.	Grid No.	Part No.	Grid No.	Part No.	Grid No.
92049-0063	E-6	92063-1376	C-8	92145-0016-8V	E-14	92152-0141	C-9	92153-0863	B-6	92171-0482	F-3
92049-0069	E-6	92063-1377	C-8	92145-0048	B-3	92152-0150	B-14	92153-0863	F-14	92171-0579	C-5
92049-0070	F-9	92063-1378	C-8	92145-0162	B-12	92152-0261	C-13	92153-0864	D-4	92171-0651	B-6
92049-0100	E-14	92064-1139	C-8	92145-0164	C-9	92152-0275	B-6	92153-0934	C-5	92171-0652	F-13
92049-1062	B-9	92064-1140	C-8	92145-0166	C-9	92152-0292	E-5	92153-0936	F-10	92171-0653	B-7
92049-1196	B-3	92064-1141	C-8	92145-0167	C-9	92152-0324	E-11	92153-0936	F-6	92171-0653	B-8
92049-1387	B-12	92064-1142	C-9	92145-0198	E-7	92152-0379	D-3	92153-0937	E-6	92171-0819	F-10
92049-1403	E-10	92064-1143	C-9	92145-0199	E-7	92152-0425	E-6	92153-0938	E-6	92172-0069	F-8
92049-1403	E-11	92064-1160	C-9	92145-0244-8V	E-14	92152-0459	E-4	92153-0939	E-6	92172-0119	E-5
92049-1475	C-5	92065-058	C-5	92145-0297	B-12	92152-0540	B-14	92153-0974	E-13	92172-0125	F-8
92049-1541	C-6	92066-0002	B-3	92145-0370	B-13	92152-0595	E-4	92153-1001	B-3	92172-0127	C-9
92049-1542	C-6	92066-0024	B-3	92145-0383-8V	E-14	92152-1139	E-6	92153-1308	F-12	92172-0128	C-9
92049-1614	E-12	92066-0038	C-5	92145-0390	B-10	92152-1346	F-11	92153-1380	B-10	92172-0129	C-9
92051-005	C-5	92066-0039	C-6	92145-0453	C-4	92152-1414	C-4	92153-1386	E-6	92172-1064	F-5
92055-0046	B-3	92066-0068	B-3	92145-0496	C-4	92152-1419	C-4	92153-1506	F-8	92172-1088	B-12
92055-0066	C-8	92066-0106	C-6	92145-0497	C-4	92152-1422	E-8	92153-1512	C-9	92180-1058	B-9
92055-0078	F-11	92066-1404	C-6	92145-1414	C-3	92152-1427	E-12	92153-1513	C-9	92180-1059	B-9
92055-0104	F-9	92070-0020	C-13	92150-1426	C-9	92152-1472	E-10	92153-1643	E-6	92180-1194	B-9
92055-0105	F-9	92070-0021	C-13	92150-1451	F-3	92152-1473	E-12	92153-1652	E-4	92180-1195	B-9
92055-0106	F-9	92072-0045	F-11	92150-1452	F-3	92153-0338	B-3	92153-1669	C-4	92180-1196	B-9
92055-0109	C-8	92072-0055	F-7	92150-1474	F-7	92153-0339	B-3	92153-1669	C-5	92190-1488	E-13
92055-0113	C-6	92075-1138	C-13	92150-1650	B-10	92153-0484	F-10	92153-1784	C-14	92192-0083	C-9
92055-0116	F-9	92075-1787	F-11	92150-1691	F-4	92153-0502	E-8	92153-1784	C-6	92192-0084	C-9
92055-0117	F-9	92075-209	D-3	92150-1692	F-6	92153-0503	D-3	92153-1790	E-3	92192-0085	C-9
92055-074	C-10	92081-020	B-12	92150-1760	E-3	92153-0503	D-4	92153-1852	E-8	92192-0167	D-3
92055-091	C-3	92081-1092	C-9	92150-1811	F-6	92153-0503	E-4	92153-1869	E-4	92192-0218	C-6
92055-091	C-6	92081-1620	C-9	92150-1845	E-3	92153-0503	G-7	92153-1870	E-4	92192-0219	C-9
92055-1004	C-8	92093-1046	C-9	92150-1858	B-12	92153-0517	F-4	92153-1876	B-13	92192-0223	F-11
92055-1011	C-6	92093-1434	E-5	92150-1935	B-3	92153-0530	C-3	92153-1963	B-7	92200-0045	B-13
92055-1146	C-6	92093-1435	E-5	92150-1978	E-12	92153-0617	F-8	92153-1963	B-8	92200-0067	F-10
92055-1156	F-9	92093-1436	E-6	92151-1133	E-5	92153-0620	E-5	92161-0073	F-14	92200-0075	B-12
92055-1167	C-8	92093-1566	F-10	92151-1134	C-6	92153-0623	B-6	92161-0113	F-8	92200-0107	C-9
92055-1223	C-8	92104-0004	G-4	92151-1199	C-6	92153-0626	C-13	92161-0213	B-6	92200-0114	B-3
92055-1293	B-14	92104-1063	G-4	92151-1233	E-4	92153-0627	F-3	92161-0254	F-11	92200-0154	E-13
92055-1346	E-14	92104-1064	G-4	92151-1234	E-5	92153-0627	F-5	92161-0350	B-6	92200-0154	E-3
92055-1352	B-4	92110-0004	G-4	92151-1423	E-8	92153-0639	C-9	92161-1172	E-14	92200-0171	C-5
92055-1383	E-14	92110-0005	G-4	92151-1449	B-7	92153-0645	C-12	92161-1184	E-10	92200-0245	B-13
92055-1441	F-9	92116-1069	E-3	92151-1449	B-8	92153-0653	E-7	92170-1077	D-5	92200-0271	D-3
92055-1577	C-11	92116-1076	E-3	92151-1537	F-8	92153-0695	B-3	92170-1204	C-9	92200-0285	E-5
92055-1671	C-8	92122-0016	E-4	92151-1545	C-5	92153-0695	C-11	92170-1226	F-8	92200-0300	F-8
92057-0035	B-10	92122-0021	C-10	92151-1546	C-14	92153-0695	F-3	92170-1286	D-5	92200-1065	B-14
92057-1541	E-12	92143-1087	E-8	92151-1654	F-5	92153-0704	E-4	92170-1448	B-3	92200-1389	B-14
92058-1074	E-12	92143-1196	F-14	92151-1799	F-4	92153-0717	B-10	92170-1582	C-9	92200-1434	C-9
92062-0013	C-5	92143-1307	E-4	92151-1822	B-7	92153-0773	F-8	92170-1938	C-6	92200-1548	B-13
92063-1370	C-8	92143-1676	E-5	92151-1822	B-8	92153-0802	E-4	92171-0149	C-9	92200-1623	E-12
92063-1371	C-8	92143-1867	E-5	92151-1930	B-10	92153-0810	B-3	92171-0149	F-11	92210-0065	E-11
92063-1372	C-8	92144-1721	F-4	92151-1930	C-4	92153-0838	E-7	92171-0246	C-9	92210-0066	E-3
92063-1373	C-8	92144-1752	E-13	92151-1930	F-11	92153-0844	B-5	92171-0258	C-12	92210-0159	E-12
92063-1374	C-8	92144-1761	C-11	92152-0028	E-11	92153-0846	C-5	92171-0372	D-5	92210-0167	F-8
92063-1375	C-8	92144-1819	F-6	92152-0135	F-8	92153-0862	C-11	92171-0481	F-3	92210-0285	E-5

This catalog covers:

'08 KX450D8F

GRID NO.

L-16

This grid covers:

Numerical Parts Index

Part No.	Grid No.	Part No.	Grid No.	Part No.	Grid No.	Part No.	Grid No.	Part No.	Grid No.	Part No.	Grid No.
----------	----------	----------	----------	----------	----------	----------	----------	----------	----------	----------	----------

92210-0337 F-10
92210-0350 B-11
92210-1080 E-4
92210-1080 E-6
92210-1184 E-4
92210-1184 E-6
92210-1352 E-8
92210-1411 E-12
99924-1355-03 G-8
99939-1315-03 G-8

99946-1035-01 G-8
99950-1040-01 G-8
99951-1026-01 G-8
99952-1010-01 G-8
99953-1032-01 G-8
99954-1041-01 G-8
99955-1024-01 G-8
99956-1008-01 G-8
99976-1393 G-8
99976-1394 G-8

99999-0023 B-3

This catalog covers:

'08 KX450D8F

GRID NO.

B-16

This grid covers:

Part Name Index

Accessory.....	G-7
Air Cleaner.....	B-6
Brake Pedal.....	E-13
Cables.....	F-13
Camshaft(s).....	B-10
Carburetor.....	C-7/C-8/C-9
Chassis Electrical Equipment.....	G-3
Clutch.....	B-13
Crankcase.....	C-5
Crankshaft.....	B-11
Cylinder.....	B-5
Cylinder Head.....	B-3
Cylinder Head Cover.....	B-4
Decals.....	G-6
Engine Cover(s).....	C-6
Engine Shrouds.....	D-4
Fenders.....	E-8
Footrests.....	E-7
Frame.....	E-3
Frame Fittings.....	E-4
Front Brake.....	F-4
Front Fork.....	F-10/F-9
Front Hub.....	E-11
Front Master Cylinder.....	F-3
Fuel Tank.....	F-11
Gear Change Drum.....	C-3
Gear Change Mechanism.....	C-4
Generator.....	C-12

Handlebar.....	F-7/F-8
Ignition System.....	C-13
Kickstarter Mechanism.....	B-12
Labels.....	G-5
Manual(EU).....	G-8
Muffler(s)(AS).....	B-7
Muffler(s)(EU).....	B-8
Oil Filter.....	C-11
Oil Pump.....	C-10
Owner's Tools.....	G-4
Piston(s).....	B-5
Radiator.....	D-3
Rear Brake.....	F-6
Rear Hub.....	E-12
Rear Master Cylinder.....	F-5
Seat.....	F-12
Shift Fork(s).....	C-3
Shock Absorber(s).....	E-14
Side Covers.....	F-14
Stand(s).....	E-9
Suspension.....	E-6
Swingarm.....	E-5
Tensioner.....	B-10
Tires.....	E-10
Transmission.....	B-14
Valve(s).....	B-9
Water Pipe.....	D-5
Water Pump.....	C-14

This catalog covers:
'08 KX450D8F

GRID NO.

C-16

This grid covers:

Part Name Index

Accessory.....	G-7
Air Cleaner.....	B-6
Brake Pedal.....	E-13
Cables.....	F-13
Camshaft(s).....	B-10
Carburetor.....	C-7/C-8/C-9
Chassis Electrical Equipment.....	G-3
Clutch.....	B-13
Crankcase.....	C-5
Crankshaft.....	B-11
Cylinder.....	B-5
Cylinder Head.....	B-3
Cylinder Head Cover.....	B-4
Decals.....	G-6
Engine Cover(s).....	C-6
Engine Shrouds.....	D-4
Fenders.....	E-8
Footrests.....	E-7
Frame.....	E-3
Frame Fittings.....	E-4
Front Brake.....	F-4
Front Fork.....	F-10/F-9
Front Hub.....	E-11
Front Master Cylinder.....	F-3
Fuel Tank.....	F-11
Gear Change Drum.....	C-3
Gear Change Mechanism.....	C-4
Generator.....	C-12

Handlebar.....	F-7/F-8
Ignition System.....	C-13
Kickstarter Mechanism.....	B-12
Labels.....	G-5
Manual(EU).....	G-8
Muffler(s)(AS).....	B-7
Muffler(s)(EU).....	B-8
Oil Filter.....	C-11
Oil Pump.....	C-10
Owner's Tools.....	G-4
Piston(s).....	B-5
Radiator.....	D-3
Rear Brake.....	F-6
Rear Hub.....	E-12
Rear Master Cylinder.....	F-5
Seat.....	F-12
Shift Fork(s).....	C-3
Shock Absorber(s).....	E-14
Side Covers.....	F-14
Stand(s).....	E-9
Suspension.....	E-6
Swingarm.....	E-5
Tensioner.....	B-10
Tires.....	E-10
Transmission.....	B-14
Valve(s).....	B-9
Water Pipe.....	D-5
Water Pump.....	C-14

This catalog covers:

'08 KX450D8F

GRID NO.

D-16

This grid covers:

Part Name Index

Accessory.....	G-7
Air Cleaner.....	B-6
Brake Pedal.....	E-13
Cables.....	F-13
Camshaft(s).....	B-10
Carburetor.....	C-7/C-8/C-9
Chassis Electrical Equipment.....	G-3
Clutch.....	B-13
Crankcase.....	C-5
Crankshaft.....	B-11
Cylinder.....	B-5
Cylinder Head.....	B-3
Cylinder Head Cover.....	B-4
Decals.....	G-6
Engine Cover(s).....	C-6
Engine Shrouds.....	D-4
Fenders.....	E-8
Footrests.....	E-7
Frame.....	E-3
Frame Fittings.....	E-4
Front Brake.....	F-4
Front Fork.....	F-10/F-9
Front Hub.....	E-11
Front Master Cylinder.....	F-3
Fuel Tank.....	F-11
Gear Change Drum.....	C-3
Gear Change Mechanism.....	C-4
Generator.....	C-12

Handlebar.....	F-7/F-8
Ignition System.....	C-13
Kickstarter Mechanism.....	B-12
Labels.....	G-5
Manual(EU).....	G-8
Muffler(s)(AS).....	B-7
Muffler(s)(EU).....	B-8
Oil Filter.....	C-11
Oil Pump.....	C-10
Owner's Tools.....	G-4
Piston(s).....	B-5
Radiator.....	D-3
Rear Brake.....	F-6
Rear Hub.....	E-12
Rear Master Cylinder.....	F-5
Seat.....	F-12
Shift Fork(s).....	C-3
Shock Absorber(s).....	E-14
Side Covers.....	F-14
Stand(s).....	E-9
Suspension.....	E-6
Swingarm.....	E-5
Tensioner.....	B-10
Tires.....	E-10
Transmission.....	B-14
Valve(s).....	B-9
Water Pipe.....	D-5
Water Pump.....	C-14

This catalog covers:
'08 KX450D8F

GRID NO.

E-16

This grid covers:

Part Name Index

Accessory.....	G-7
Air Cleaner.....	B-6
Brake Pedal.....	E-13
Cables.....	F-13
Camshaft(s).....	B-10
Carburetor.....	C-7/C-8/C-9
Chassis Electrical Equipment.....	G-3
Clutch.....	B-13
Crankcase.....	C-5
Crankshaft.....	B-11
Cylinder.....	B-5
Cylinder Head.....	B-3
Cylinder Head Cover.....	B-4
Decals.....	G-6
Engine Cover(s).....	C-6
Engine Shrouds.....	D-4
Fenders.....	E-8
Footrests.....	E-7
Frame.....	E-3
Frame Fittings.....	E-4
Front Brake.....	F-4
Front Fork.....	F-10/F-9
Front Hub.....	E-11
Front Master Cylinder.....	F-3
Fuel Tank.....	F-11
Gear Change Drum.....	C-3
Gear Change Mechanism.....	C-4
Generator.....	C-12

Handlebar.....	F-7/F-8
Ignition System.....	C-13
Kickstarter Mechanism.....	B-12
Labels.....	G-5
Manual(EU).....	G-8
Muffler(s)(AS).....	B-7
Muffler(s)(EU).....	B-8
Oil Filter.....	C-11
Oil Pump.....	C-10
Owner's Tools.....	G-4
Piston(s).....	B-5
Radiator.....	D-3
Rear Brake.....	F-6
Rear Hub.....	E-12
Rear Master Cylinder.....	F-5
Seat.....	F-12
Shift Fork(s).....	C-3
Shock Absorber(s).....	E-14
Side Covers.....	F-14
Stand(s).....	E-9
Suspension.....	E-6
Swingarm.....	E-5
Tensioner.....	B-10
Tires.....	E-10
Transmission.....	B-14
Valve(s).....	B-9
Water Pipe.....	D-5
Water Pump.....	C-14

This catalog covers:
'08 KX450D8F

GRID NO.

F-16

This grid covers:

Part Name Index

Accessory.....	G-7
Air Cleaner.....	B-6
Brake Pedal.....	E-13
Cables.....	F-13
Camshaft(s).....	B-10
Carburetor.....	C-7/C-8/C-9
Chassis Electrical Equipment.....	G-3
Clutch.....	B-13
Crankcase.....	C-5
Crankshaft.....	B-11
Cylinder.....	B-5
Cylinder Head.....	B-3
Cylinder Head Cover.....	B-4
Decals.....	G-6
Engine Cover(s).....	C-6
Engine Shrouds.....	D-4
Fenders.....	E-8
Footrests.....	E-7
Frame.....	E-3
Frame Fittings.....	E-4
Front Brake.....	F-4
Front Fork.....	F-10/F-9
Front Hub.....	E-11
Front Master Cylinder.....	F-3
Fuel Tank.....	F-11
Gear Change Drum.....	C-3
Gear Change Mechanism.....	C-4
Generator.....	C-12

Handlebar.....	F-7/F-8
Ignition System.....	C-13
Kickstarter Mechanism.....	B-12
Labels.....	G-5
Manual(EU).....	G-8
Muffler(s)(AS).....	B-7
Muffler(s)(EU).....	B-8
Oil Filter.....	C-11
Oil Pump.....	C-10
Owner's Tools.....	G-4
Piston(s).....	B-5
Radiator.....	D-3
Rear Brake.....	F-6
Rear Hub.....	E-12
Rear Master Cylinder.....	F-5
Seat.....	F-12
Shift Fork(s).....	C-3
Shock Absorber(s).....	E-14
Side Covers.....	F-14
Stand(s).....	E-9
Suspension.....	E-6
Swingarm.....	E-5
Tensioner.....	B-10
Tires.....	E-10
Transmission.....	B-14
Valve(s).....	B-9
Water Pipe.....	D-5
Water Pump.....	C-14

This catalog covers:

'08 KX450D8F

GRID NO.

G-16

This grid covers:

Part Name Index

Accessory.....	G-7
Air Cleaner.....	B-6
Brake Pedal.....	E-13
Cables.....	F-13
Camshaft(s).....	B-10
Carburetor.....	C-7/C-8/C-9
Chassis Electrical Equipment.....	G-3
Clutch.....	B-13
Crankcase.....	C-5
Crankshaft.....	B-11
Cylinder.....	B-5
Cylinder Head.....	B-3
Cylinder Head Cover.....	B-4
Decals.....	G-6
Engine Cover(s).....	C-6
Engine Shrouds.....	D-4
Fenders.....	E-8
Footrests.....	E-7
Frame.....	E-3
Frame Fittings.....	E-4
Front Brake.....	F-4
Front Fork.....	F-10/F-9
Front Hub.....	E-11
Front Master Cylinder.....	F-3
Fuel Tank.....	F-11
Gear Change Drum.....	C-3
Gear Change Mechanism.....	C-4
Generator.....	C-12

Handlebar.....	F-7/F-8
Ignition System.....	C-13
Kickstarter Mechanism.....	B-12
Labels.....	G-5
Manual(EU).....	G-8
Muffler(s)(AS).....	B-7
Muffler(s)(EU).....	B-8
Oil Filter.....	C-11
Oil Pump.....	C-10
Owner's Tools.....	G-4
Piston(s).....	B-5
Radiator.....	D-3
Rear Brake.....	F-6
Rear Hub.....	E-12
Rear Master Cylinder.....	F-5
Seat.....	F-12
Shift Fork(s).....	C-3
Shock Absorber(s).....	E-14
Side Covers.....	F-14
Stand(s).....	E-9
Suspension.....	E-6
Swingarm.....	E-5
Tensioner.....	B-10
Tires.....	E-10
Transmission.....	B-14
Valve(s).....	B-9
Water Pipe.....	D-5
Water Pump.....	C-14