

This catalog covers:  
**'10 KX250 XAFB**

GRID NO. **A-1** This grid covers:  
**Title**



## **PARTS CATALOG**

**'10 KX250 XAFB**

**(KX250F)**

---

Publications .....	A-2
Model Identification .....	A-4
Engine .....	B-1
Chassis.....	D-1

---

© Kawasaki Heavy Industries, Ltd. 2009

Engine No. Location:  
RH side crankcase

---

<b>Year &amp; Model</b>	'10 KX250XAFB
<b>Color</b>	1. Lime Green (777)
<b>VIN No. Range</b>	JKAKX250XXA000001 ~
<b>Engine No. Range</b>	KX250XE000001 ~

This catalog covers:  
**'10 KX250 XAFB**

GRID NO. **A-2** This grid covers:  
**Publications**

Year & Model	Owner's Manual	A&P Manual		Service Manual		Microfiche
		General	Supplement	Basic	Supplement	
<b>2010 KX250XAFB</b>	99976-1519(EN/FR/DE) 99976-1520(IT/ES/NL)	99939-1330-01		99924-1428-01		99912-1621-01



*This catalog covers:*  
**'10 KX250 XAFB**

*GRID NO.*

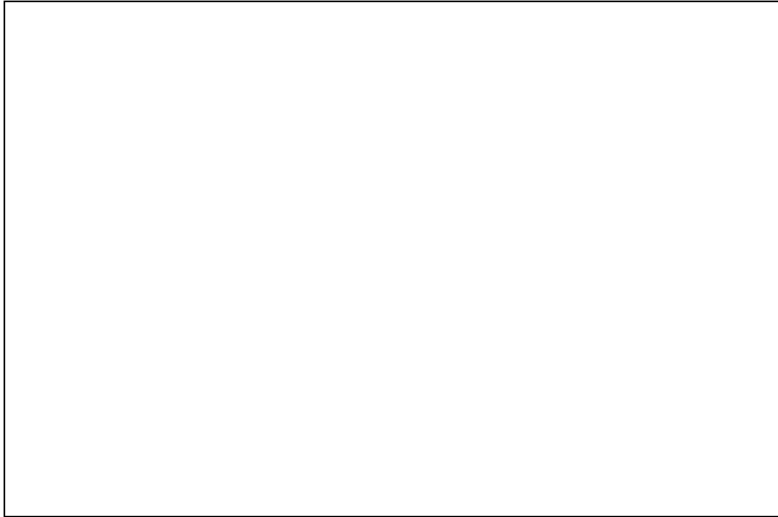
**A-4**

*This grid covers:*  
**Model I.D. '10 KX250XAFB**

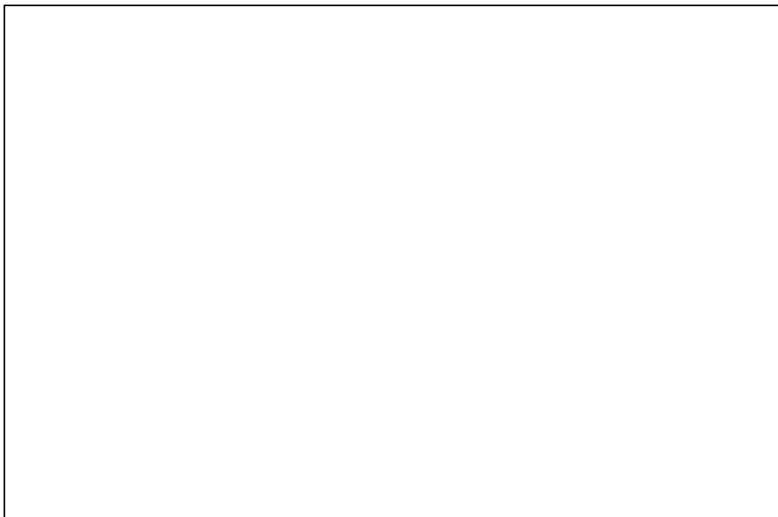
---

# KX250XAFB

Left Side View

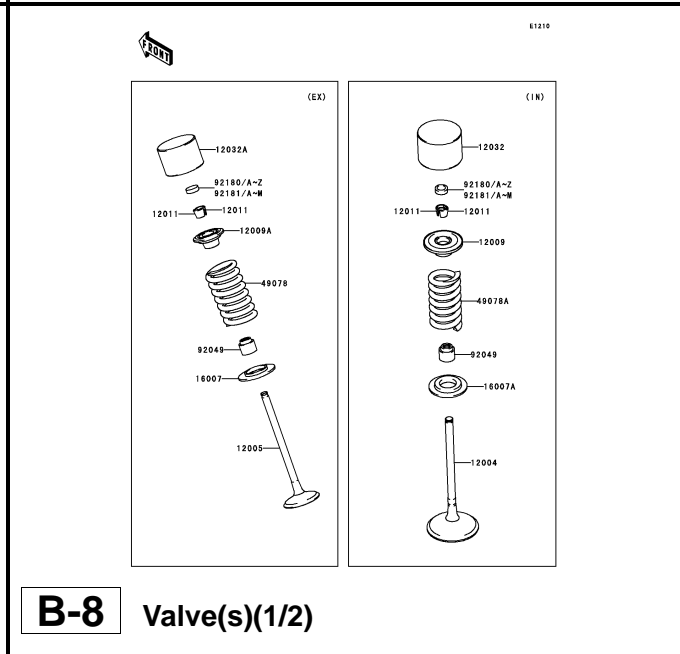
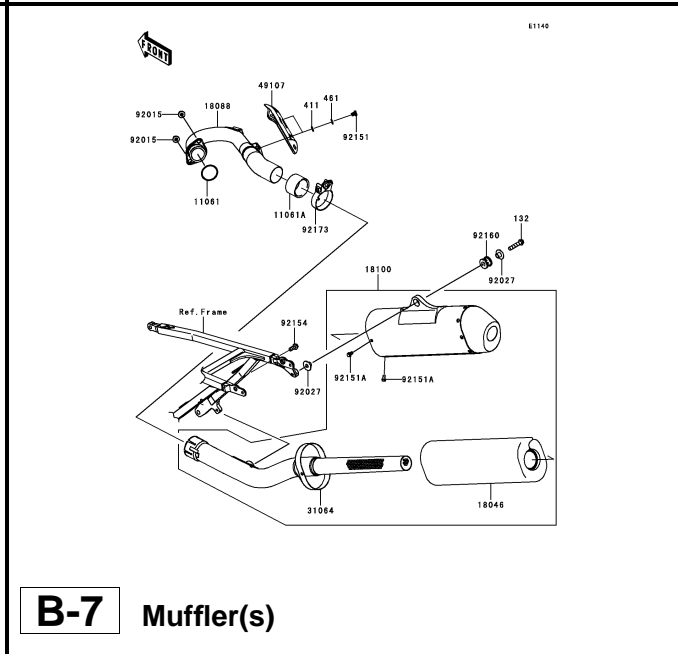
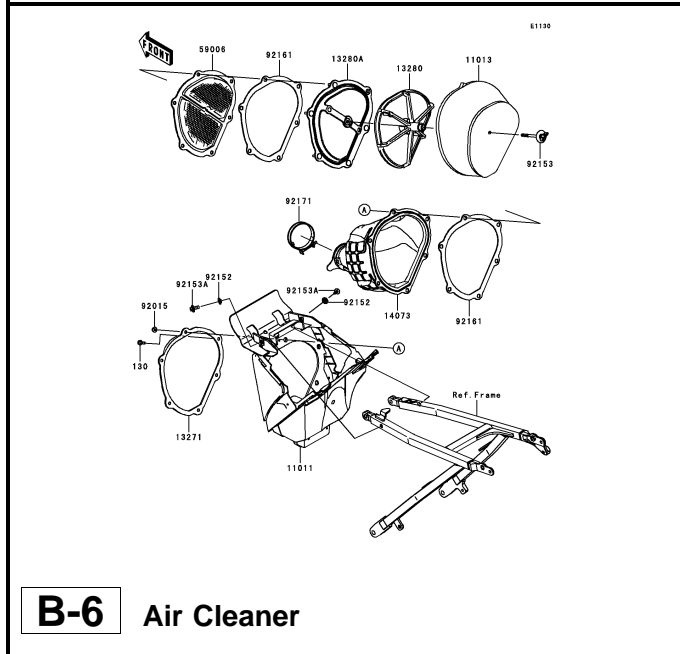
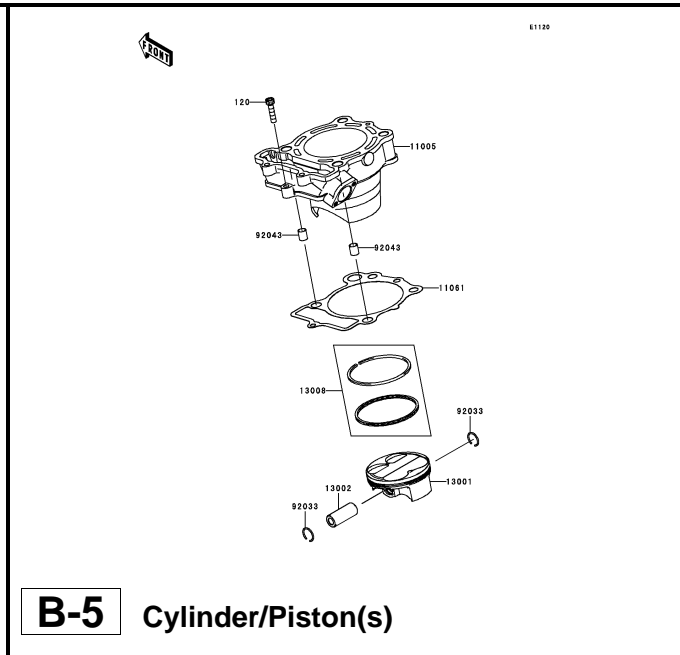
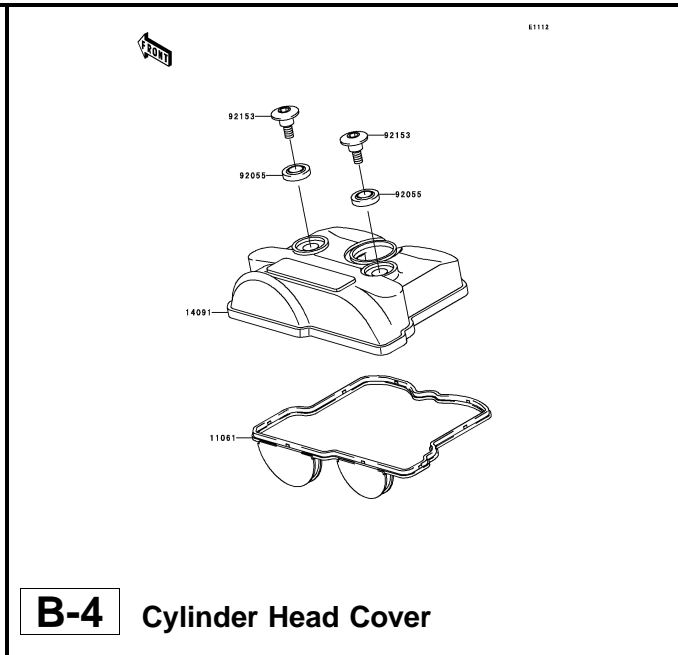
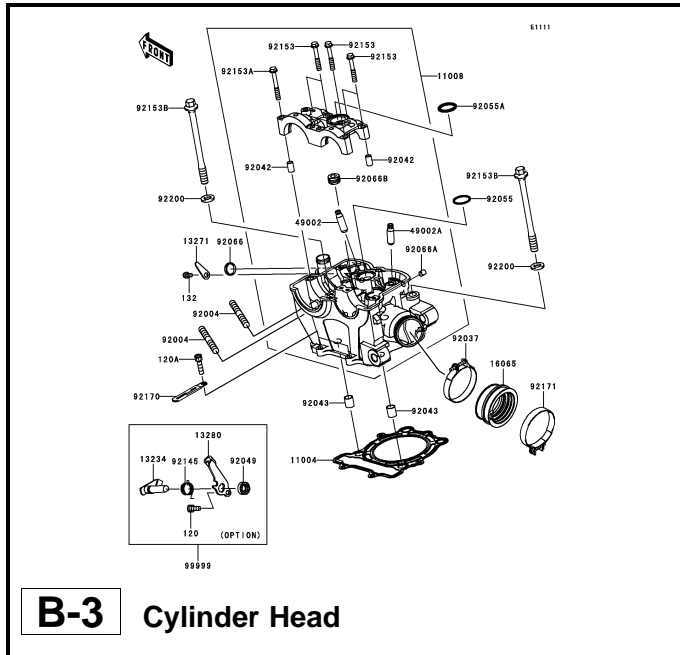


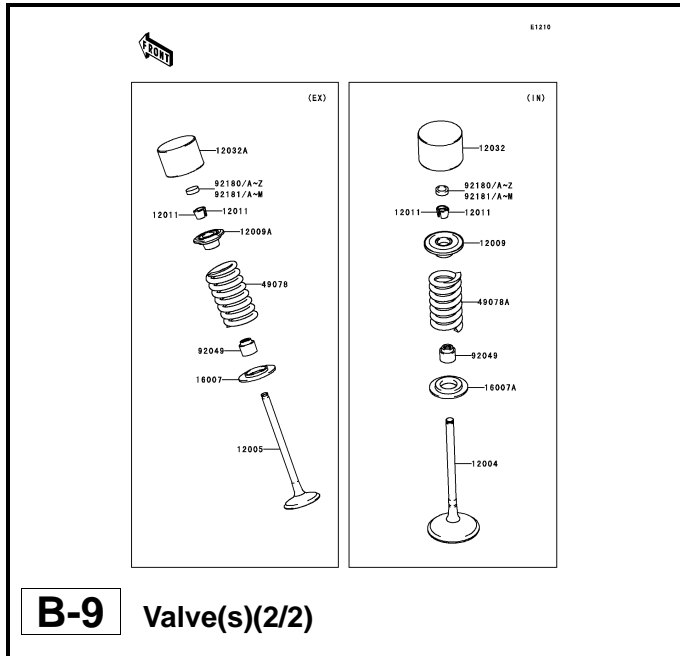
Right Side View



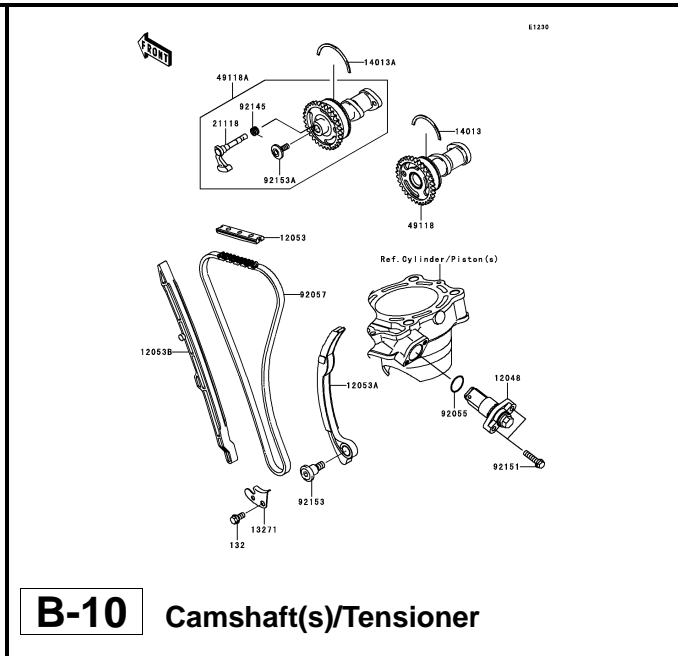




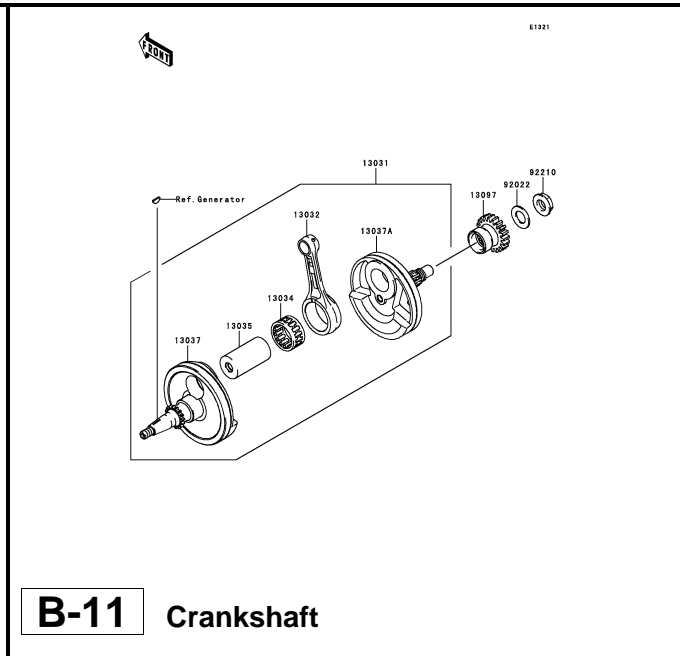




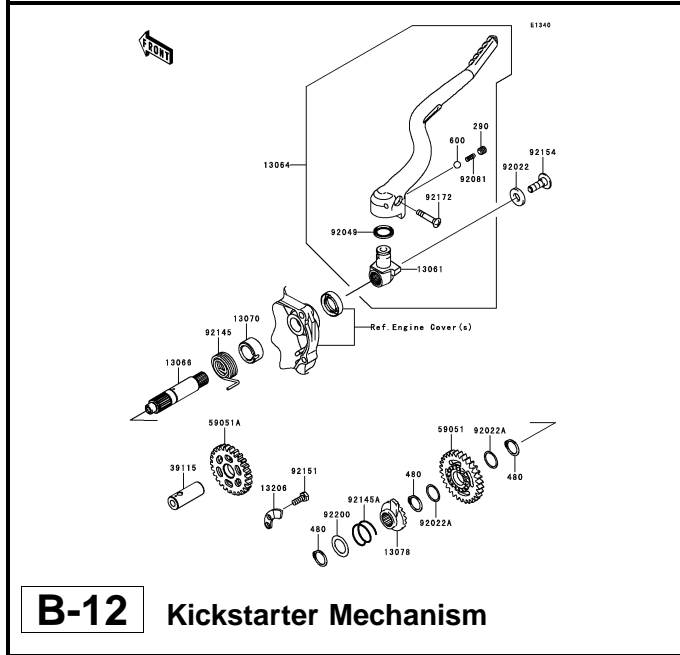
**B-9** Valve(s)(2/2)



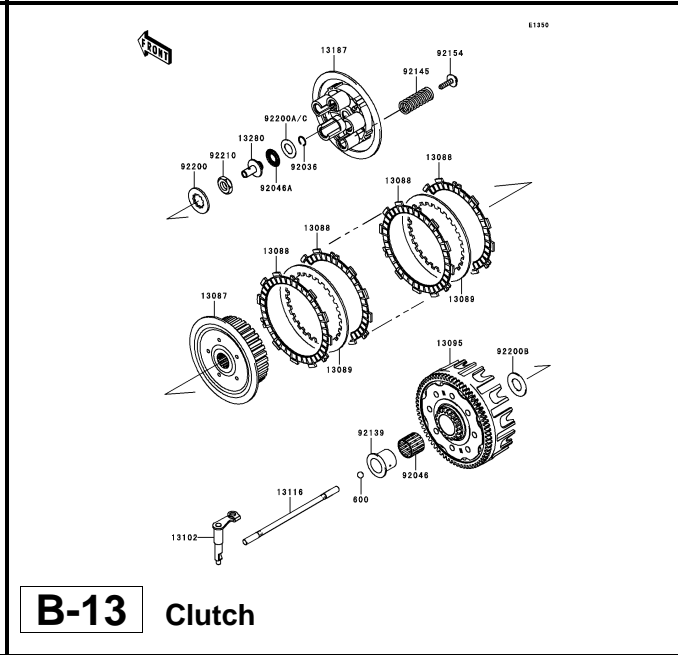
**B-10** Camshaft(s)/Tensioner



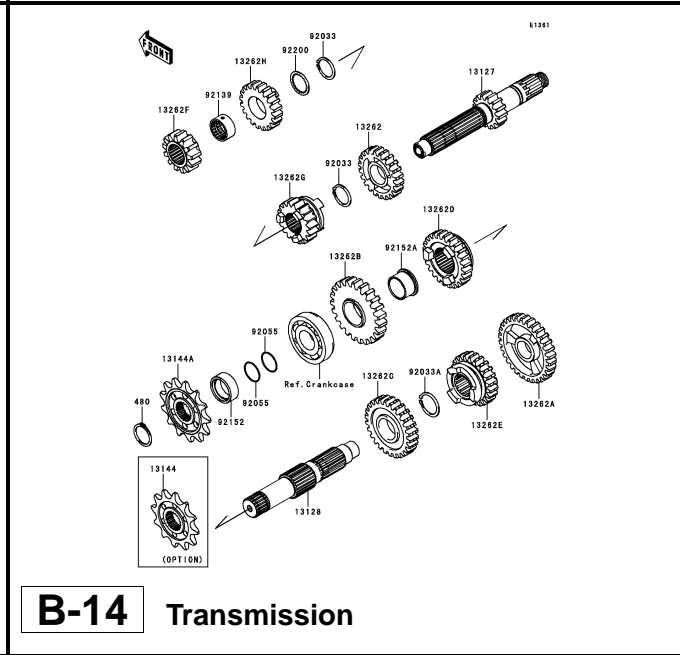
**B-11** Crankshaft



**B-12** Kickstarter Mechanism

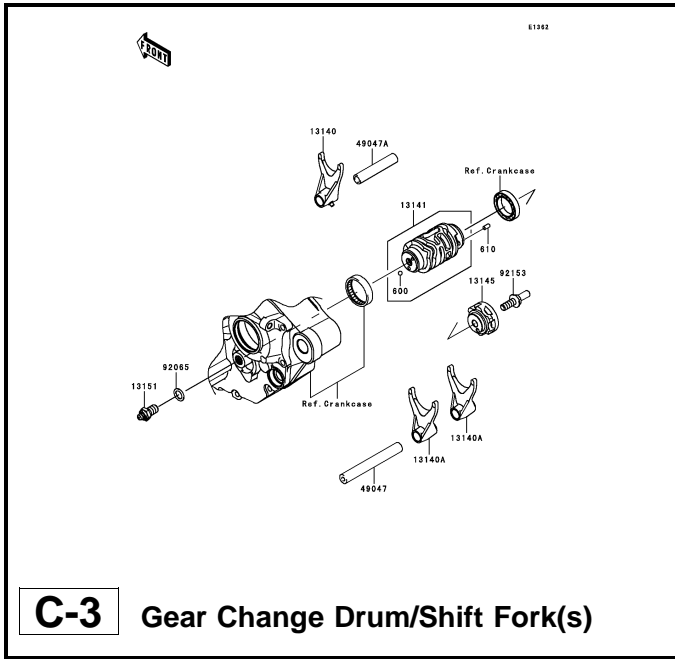


**B-13** Clutch

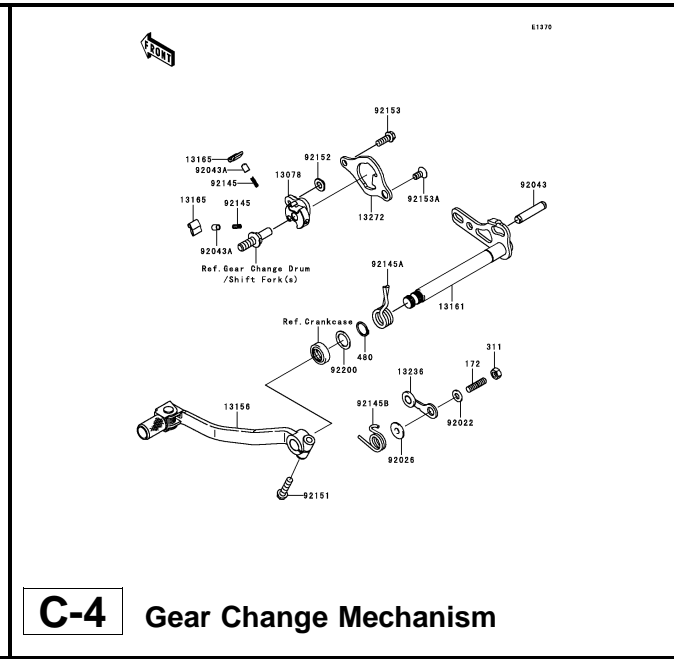


**B-14** Transmission

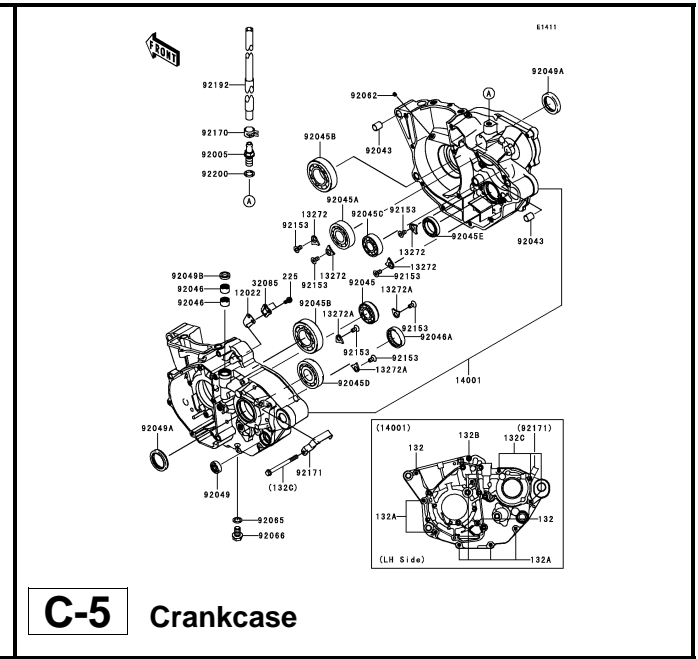




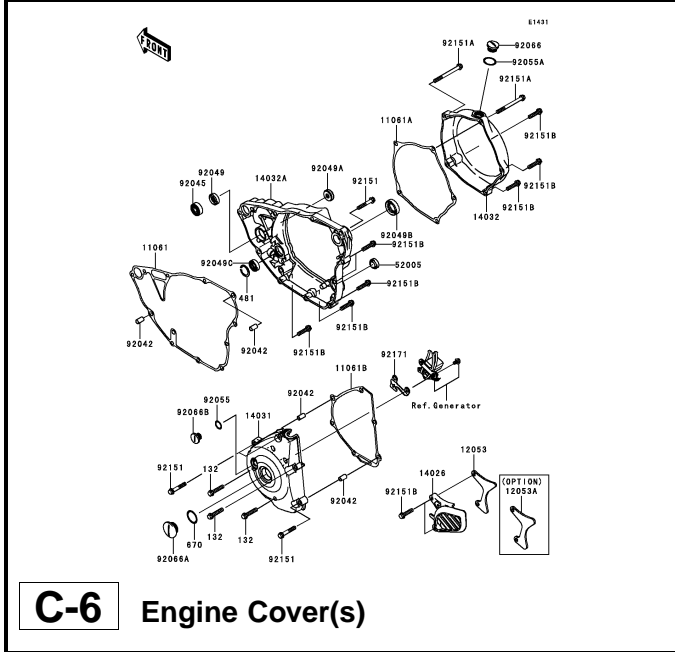
**C-3** Gear Change Drum/Shift Fork(s)



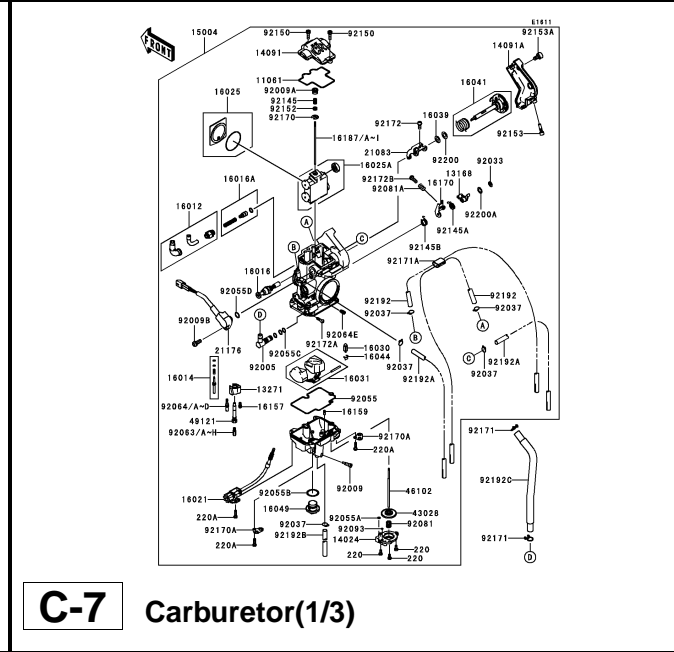
**C-4** Gear Change Mechanism



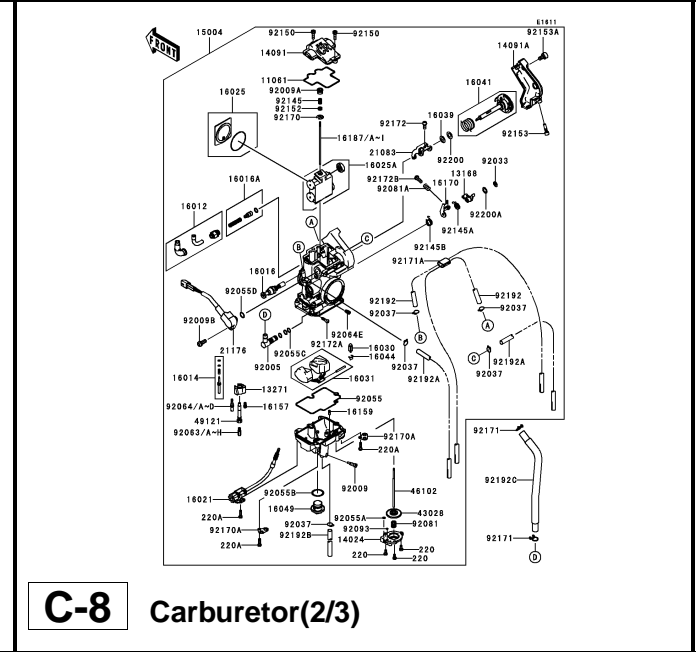
**C-5** Crankcase



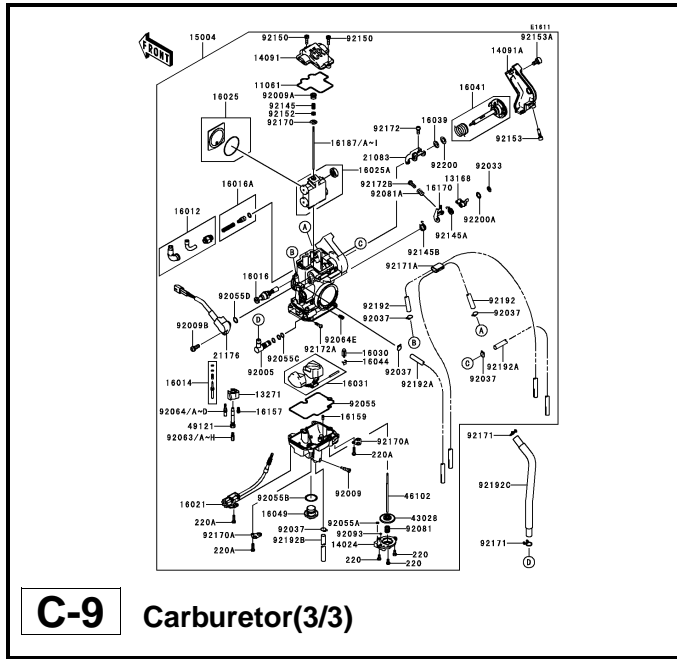
**C-6** Engine Cover(s)



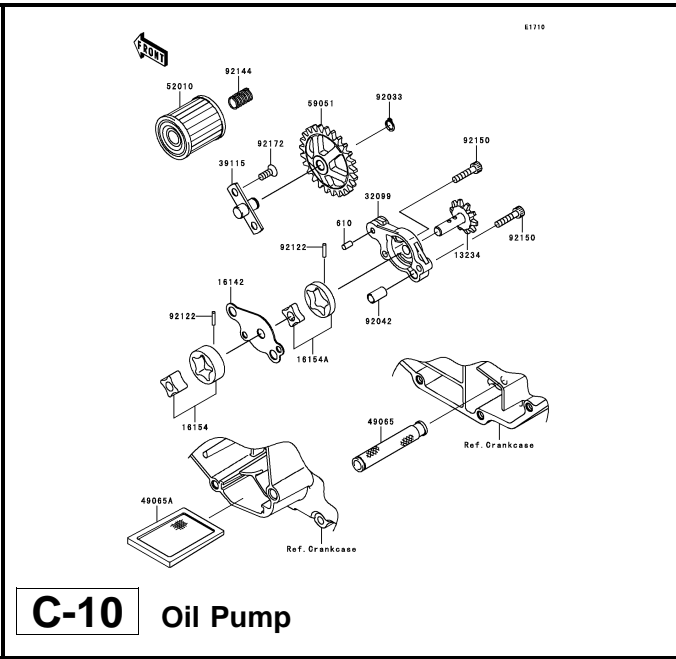
**C-7** Carburetor(1/3)



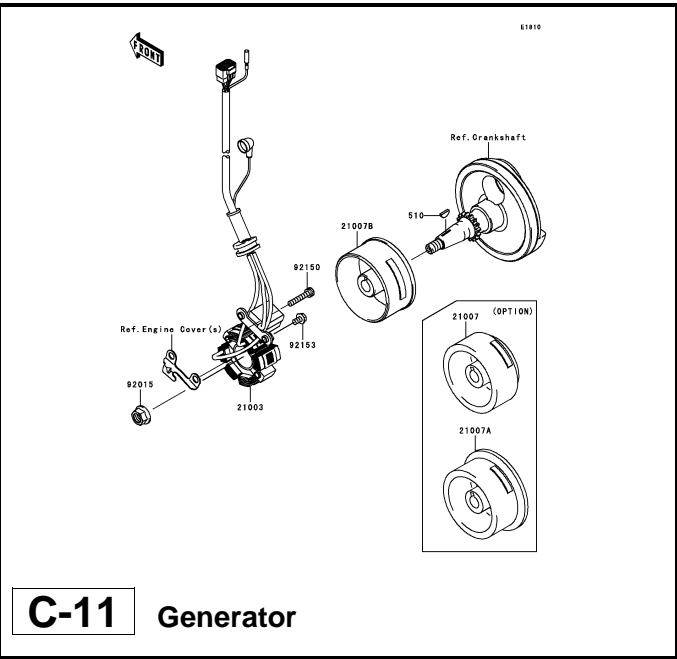
**C-8** Carburetor(2/3)



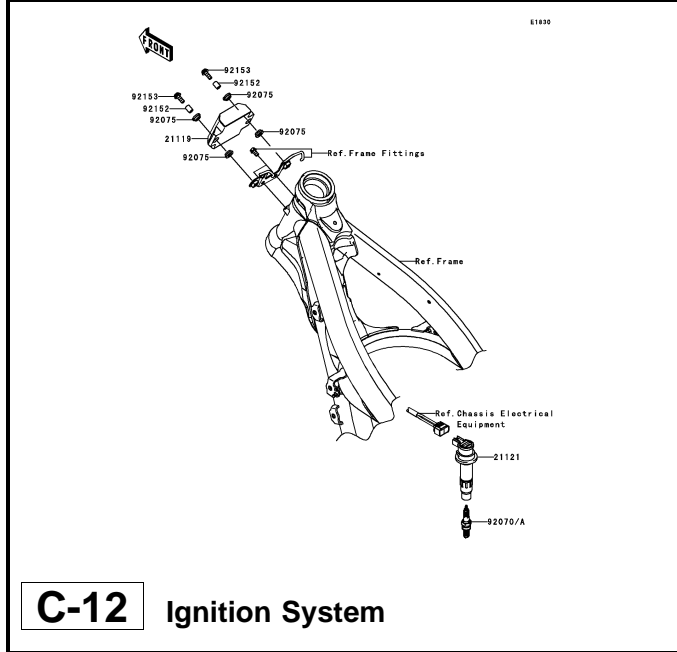
**C-9** Carburetor(3/3)



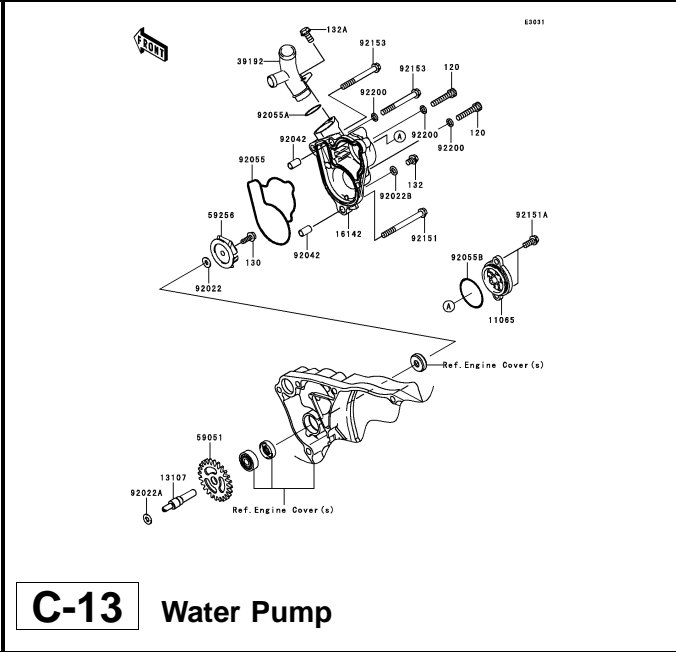
**C-10** Oil Pump



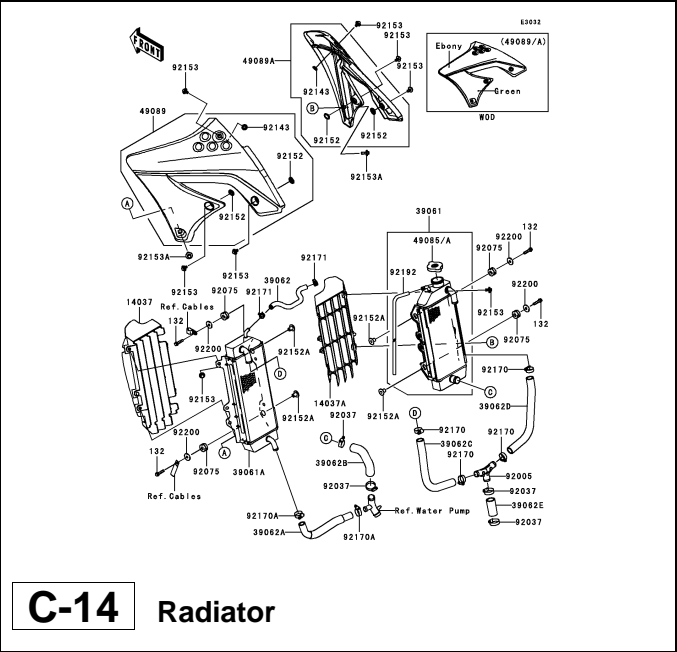
**C-11** Generator



**C-12** Ignition System

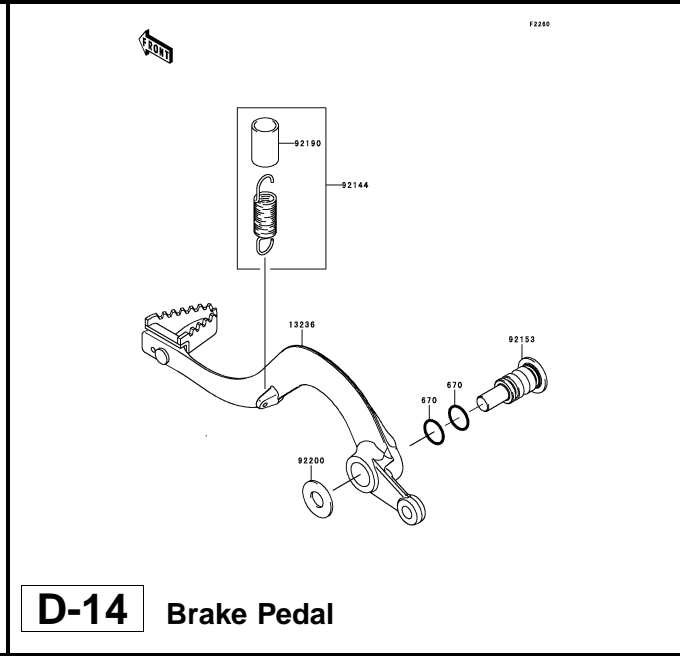
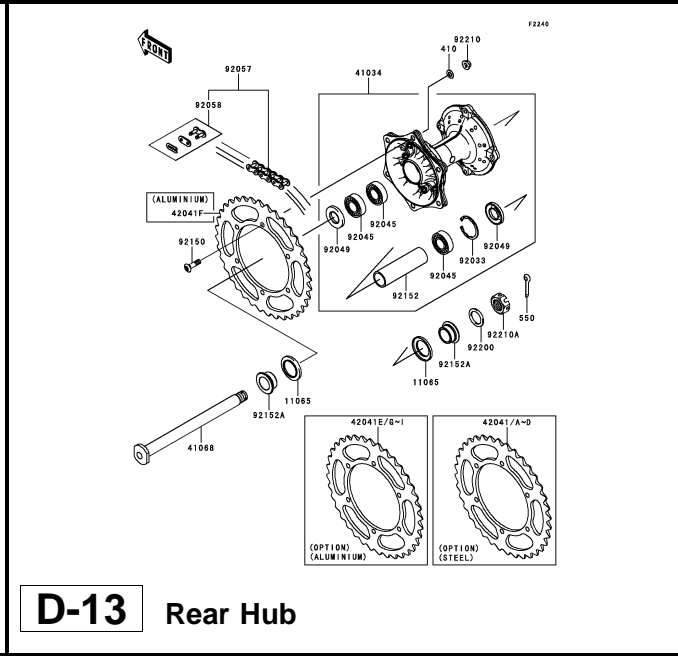
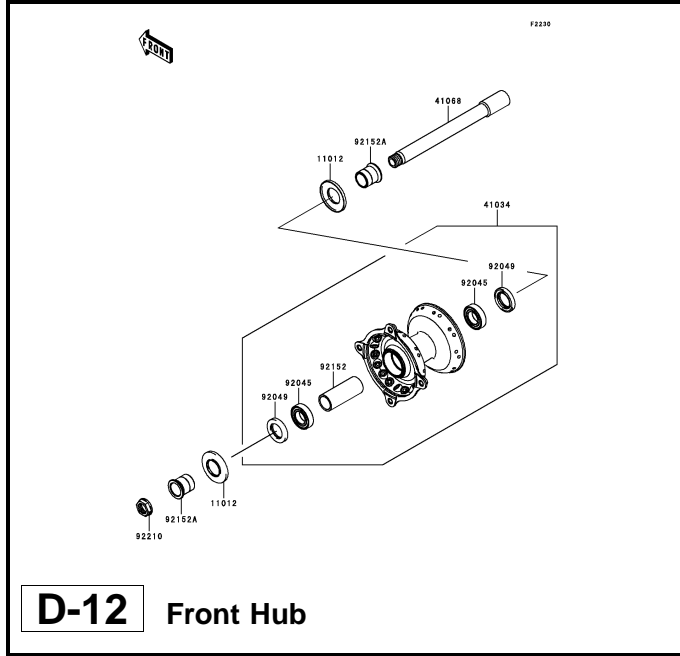
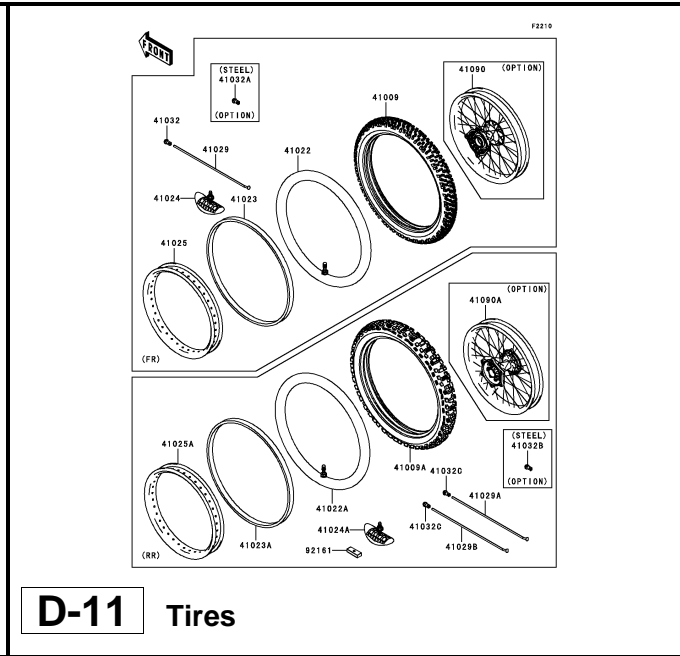
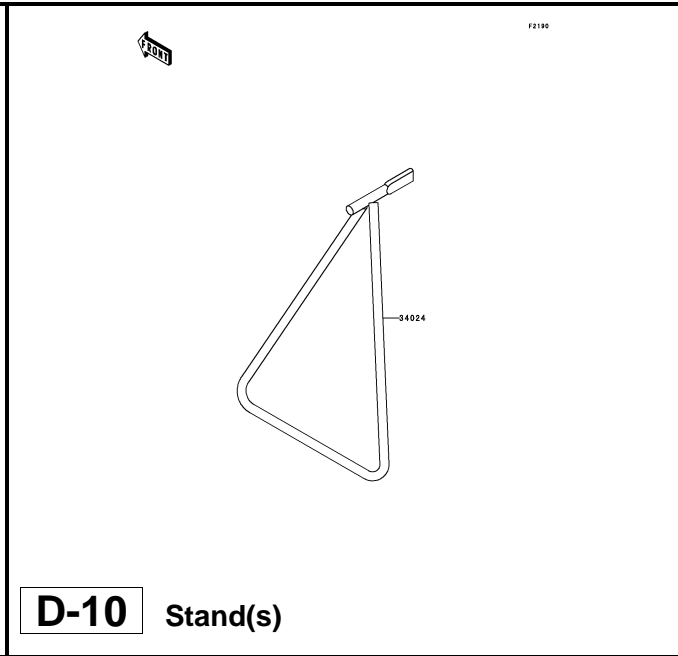
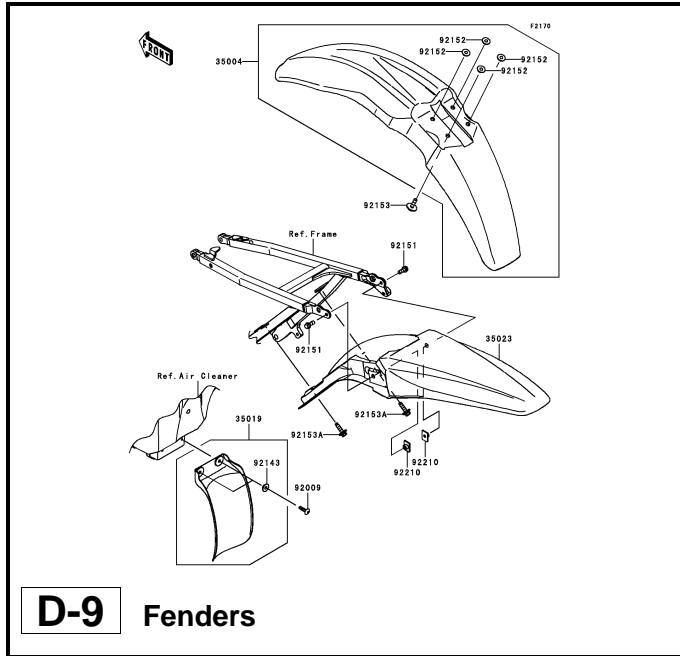


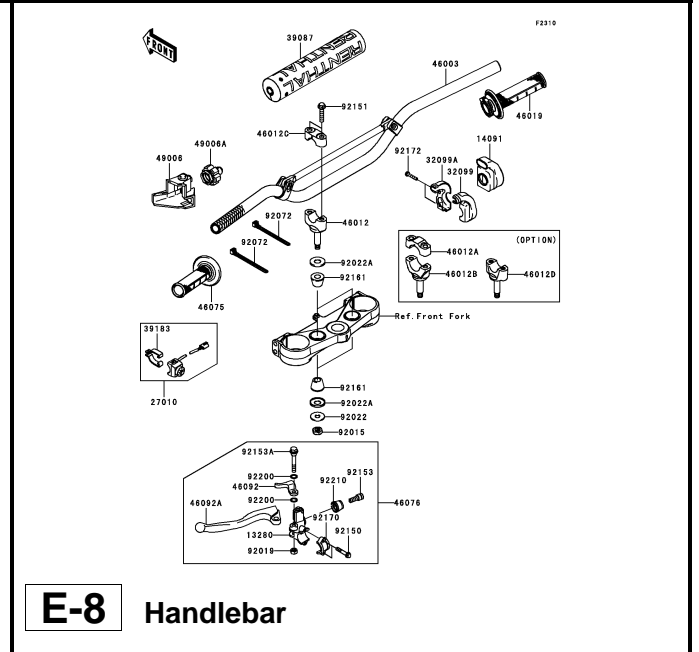
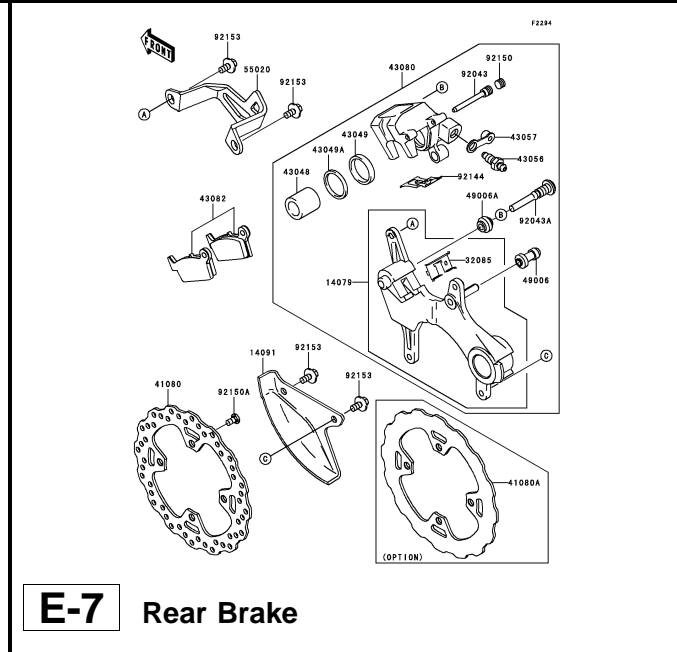
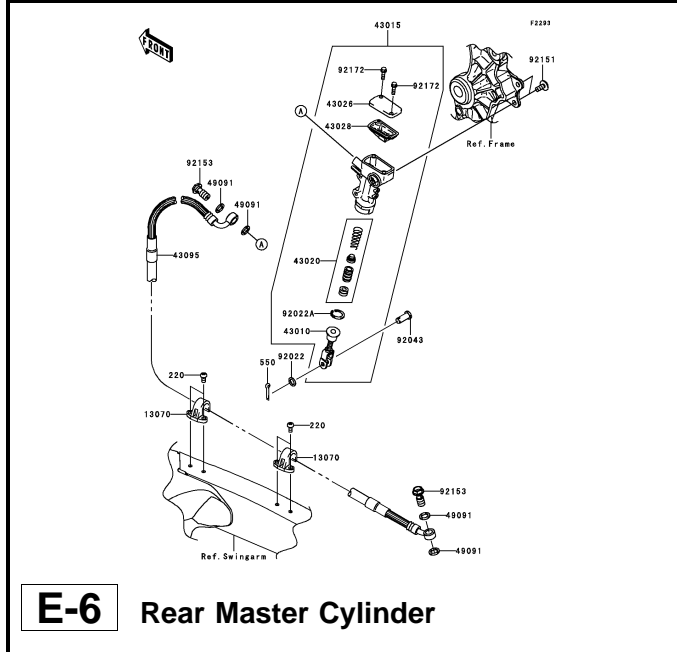
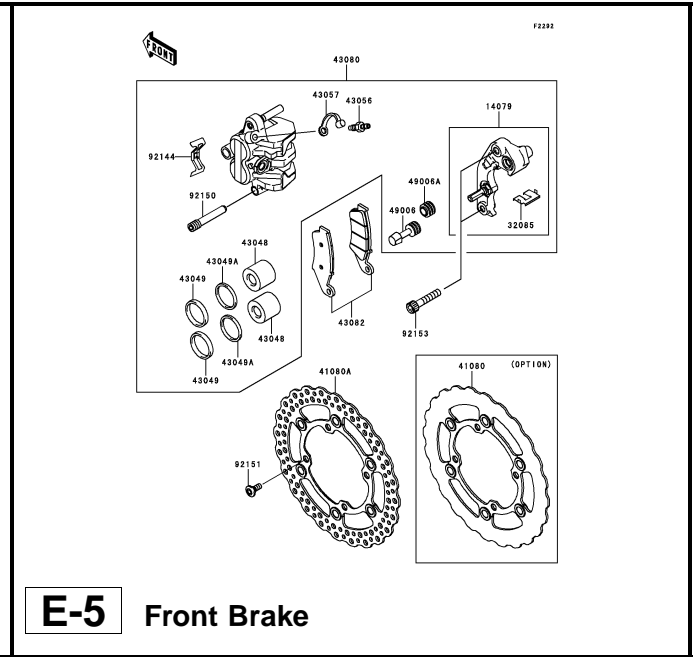
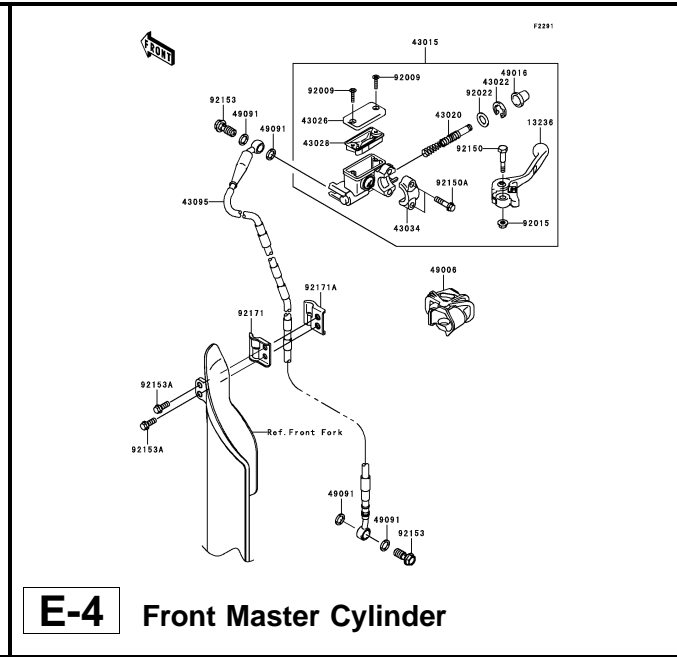
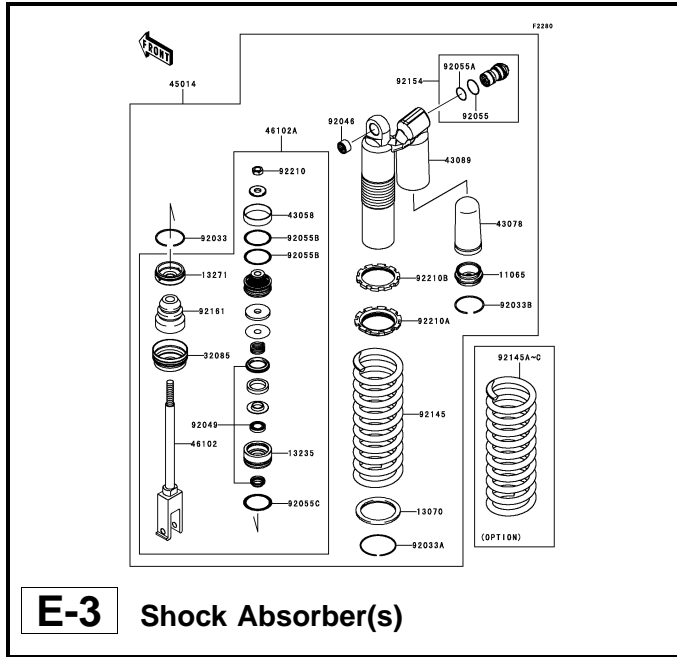
**C-13** Water Pump

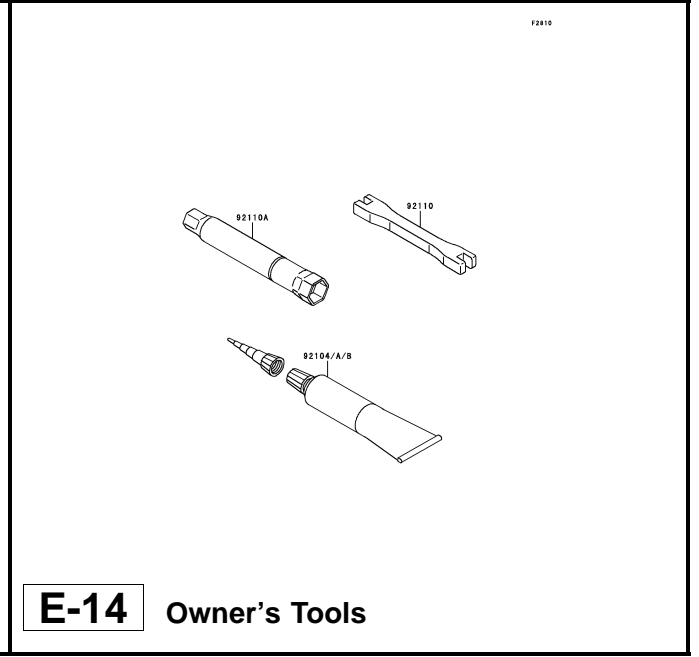
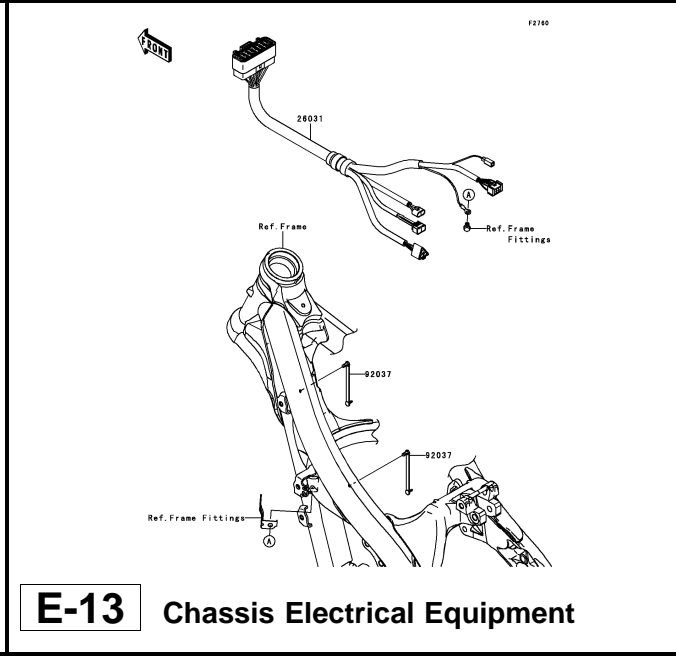
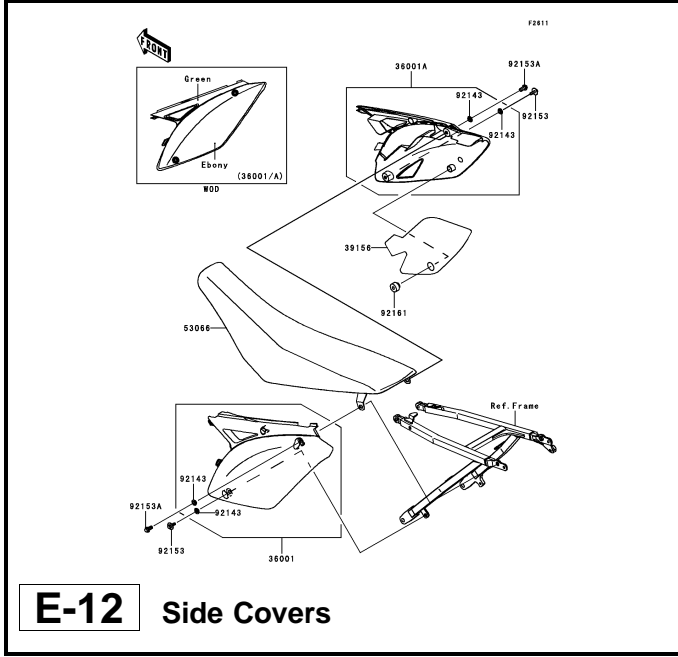
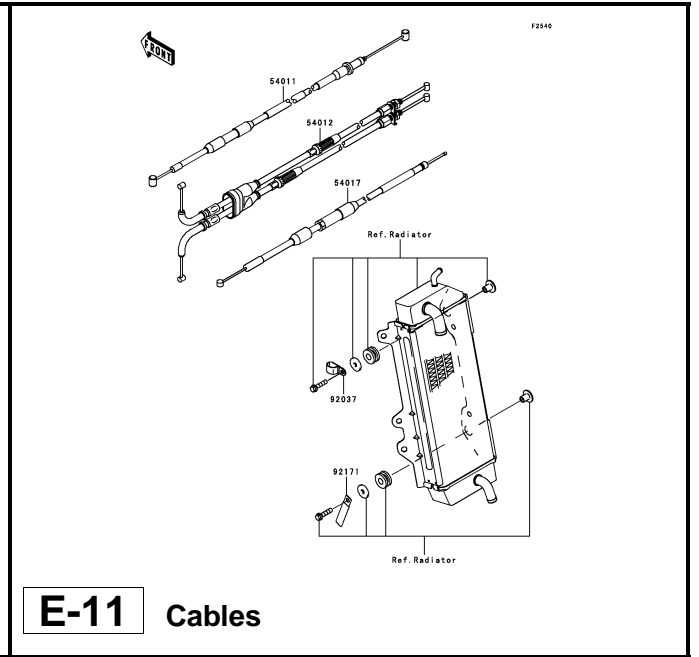
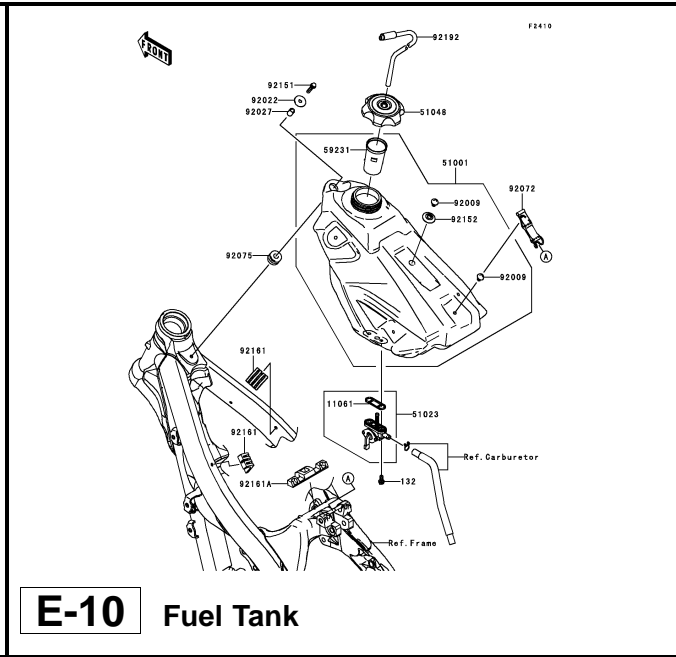
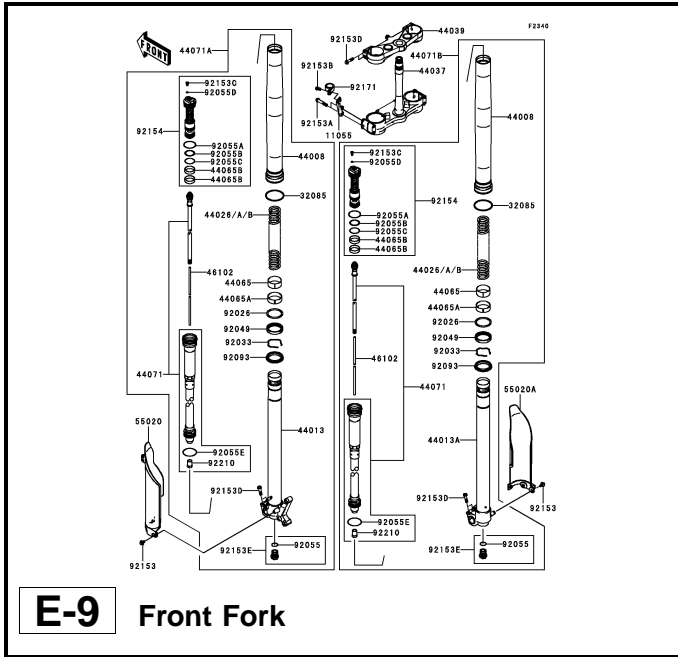


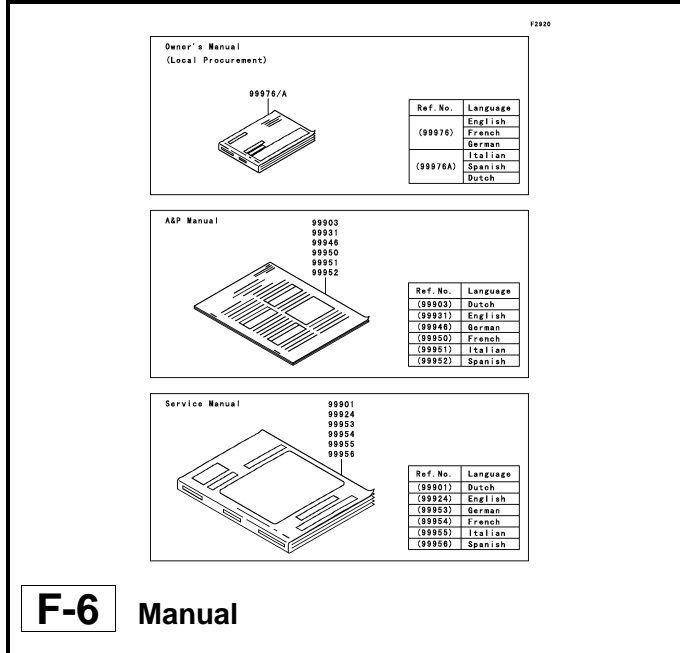
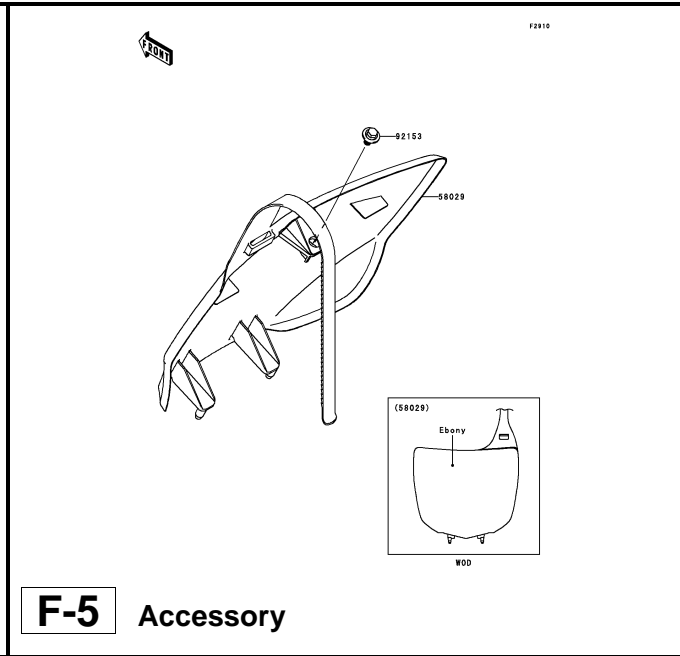
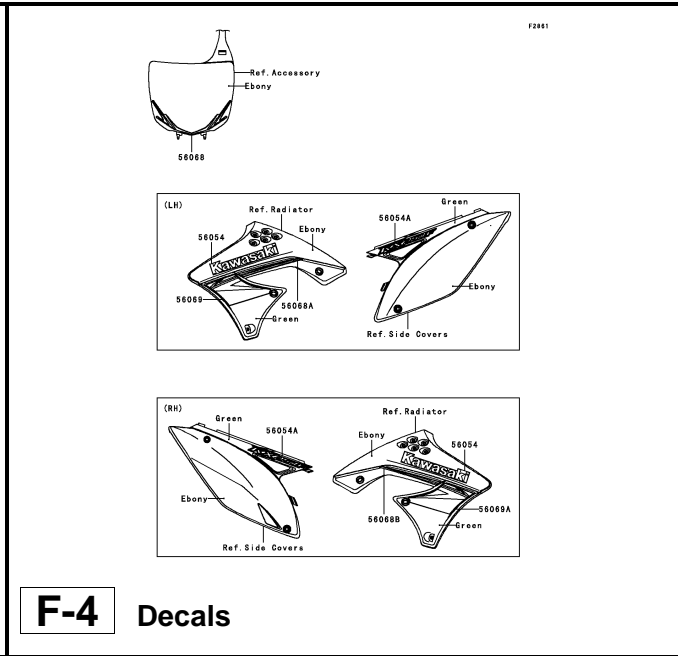
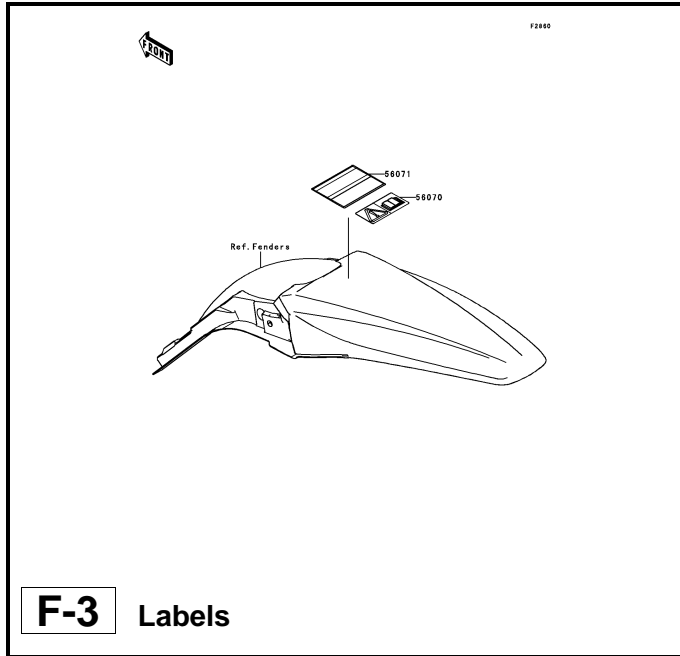
**C-14** Radiator











*This catalog covers:*

**'10 KX250XAFB Chassis**

*GRID NO.*

**F-2**

*This grid covers:*

**Pictorial Index**

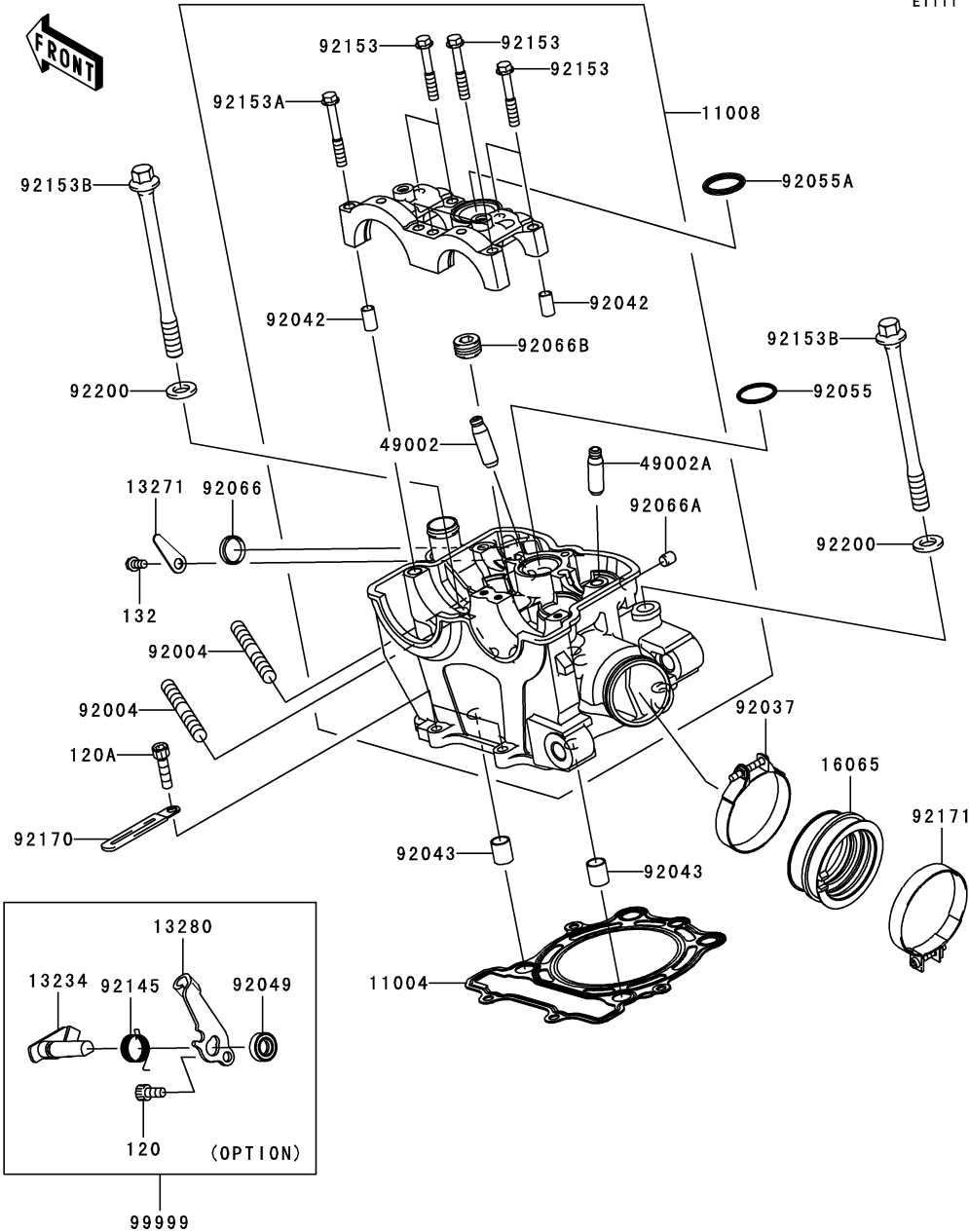
---




This catalog covers:  
**'10 KX250XAFB Engine**

GRID NO. **B-3** This grid covers:  
**Cylinder Head**

E1111



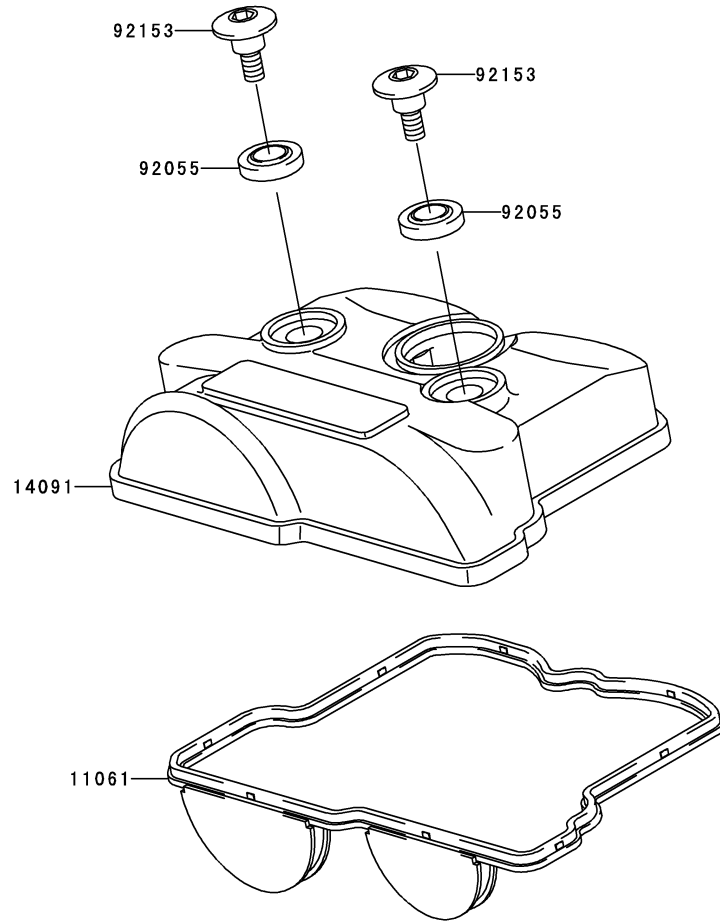
Ref. No.	Part No.	Description	Spec Code	Quantity-KX250			
				'10	XAFB		
11004	11004-0079	GASKET-HEAD		1			
11008	11008-0191	HEAD-COMP-CYLINDER		1			
13234	13234-0009	SHAFT-COMP,DECOMP		1			
	(OPTION)						
13271	13271-0675	PLATE		1			
13280	13280-0038	HOLDER,DECOMP		1			
	(OPTION)						
16065	16065-0056	HOLDER-CARBURETOR		1			
49002	49002-0003	GUIDE-VALVE		AR			
49002A	49002-0016	GUIDE-VALVE		AR			
92004	92004-0025	STUD,8X22		2			
92037	92037-1523	CLAMP		1			
92042	92042-007	PIN,DOWEL,6.3X8X14		2			
92043	92043-4009	PIN,10.1X12X14		2			
92049	92049-1196	SEAL-OIL		1			
	(OPTION)						
92055	92055-0046	RING-O,23.5X2.0		1			
92055A	92055-0150	RING-O,24.7X2.4		1			
92066	92066-0024	PLUG,4X18		1			
92066A	92066-1012	PLUG,OIL LINE,7.2X8		1			
92066B	92066-3777	PLUG,10X16.6		1			
92145	92145-0048	SPRING		1			
	(OPTION)						
92153	92153-0338	BOLT,6X38		7			
92153A	92153-0339	BOLT,6X45		1			
92153B	92153-0341	BOLT,10X122		4			
92170	92170-1514	CLAMP		2			
92171	92171-0925	CLAMP		1			
92200	92200-0114	WASHER,10.5X19X2.3		4			
99999	99999-0023	KIT.,MANUAL DECOMP		1			
	(OPTION)						
120	120CA0612	BOLT-SOCKET,6X12		1			
	(OPTION)						
120A	120CA0625	BOLT-SOCKET,6X25		2			
132	132BA0612	BOLT-FLANGED-SMALL,6X12		1			

This catalog covers:  
**'10 KX250XAFB Engine**

GRID NO. **B-4** This grid covers:  
**Cylinder Head Cover**



E1112



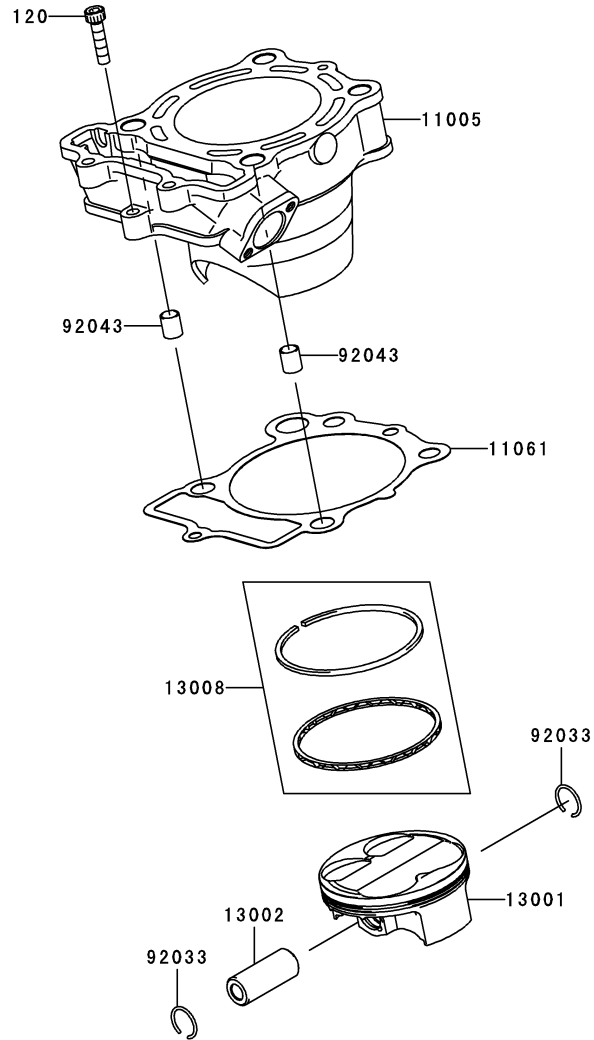
Ref. No.	Part No.	Description	Spec Code	Quantity-KX250			
				'10			
11061	11061-0350	GASKET,CYLINDER HEAD					1
14091	14091-1629	COVER,CYLINDER HEAD					1
92055	92055-1352	RING-O,HEAD COVER BOLT					2
92153	92153-1181	BOLT,SOCKET,6MM					2

This catalog covers:  
**'10 KX250XAFB Engine**

GRID NO. **B-5** This grid covers:  
**Cylinder/Piston(s)**



E1120

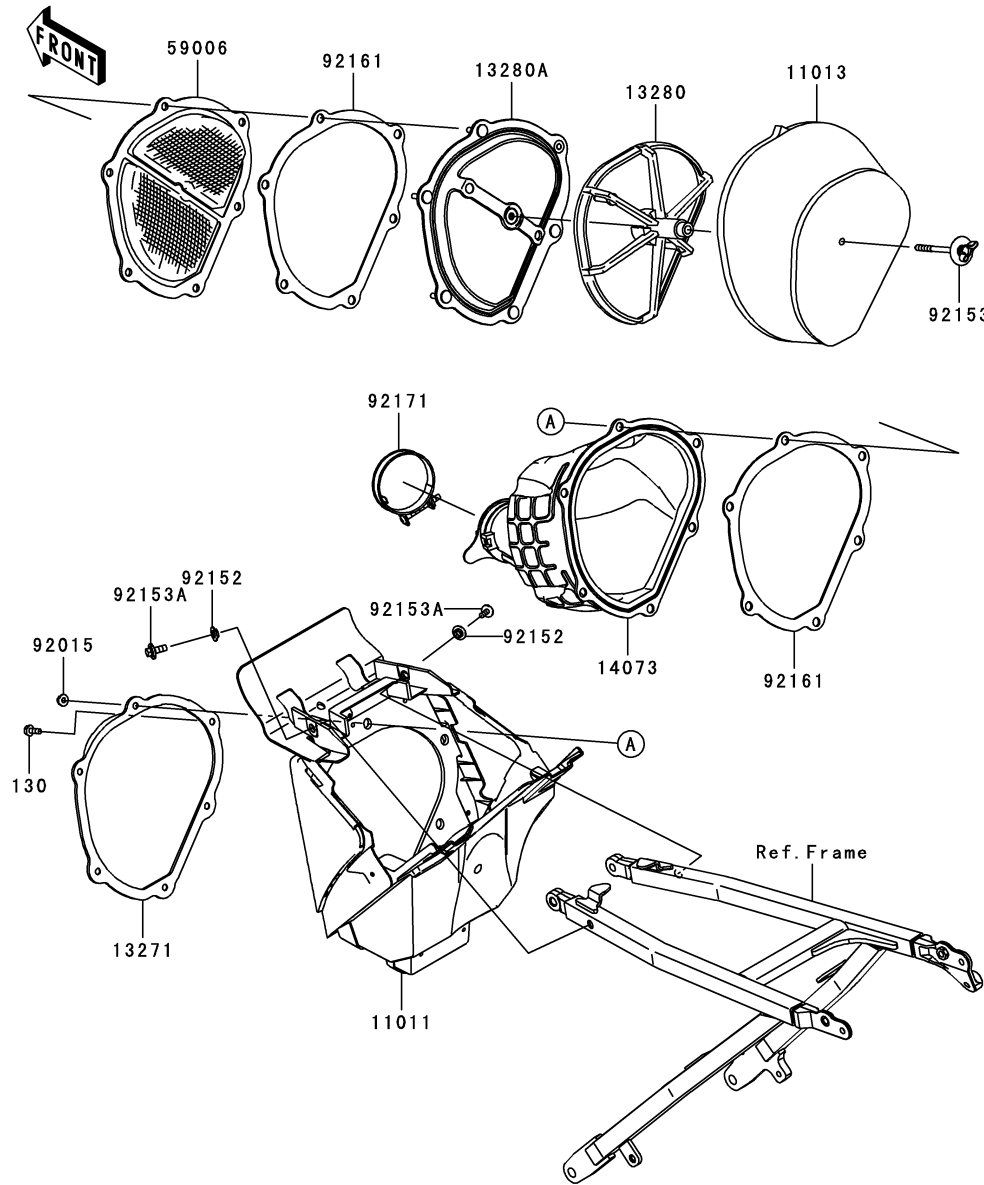


Ref. No.	Part No.	Description	Spec Code	Quantity-KX250			
				'10			
				XAFB			
11005	11005-0127	CYLINDER-ENGINE					1
11061	11061-0357	GASKET,CYLINDER BASE					1
13001	13001-0115	PISTON-ENGINE					1
13002	13002-0030	PIN-PISTON					1
13008	13008-0028	RING-SET-PISTON					1
92033	92033-1161	RING-SNAP,PISTON PIN					2
92043	92043-4009	PIN,10.1X12X14					2
120	120CA0625	BOLT-SOCKET,6X25					1

This catalog covers:  
**'10 KX250XAFB Engine**

GRID NO. This grid covers:  
**B-6 Air Cleaner**

E1130

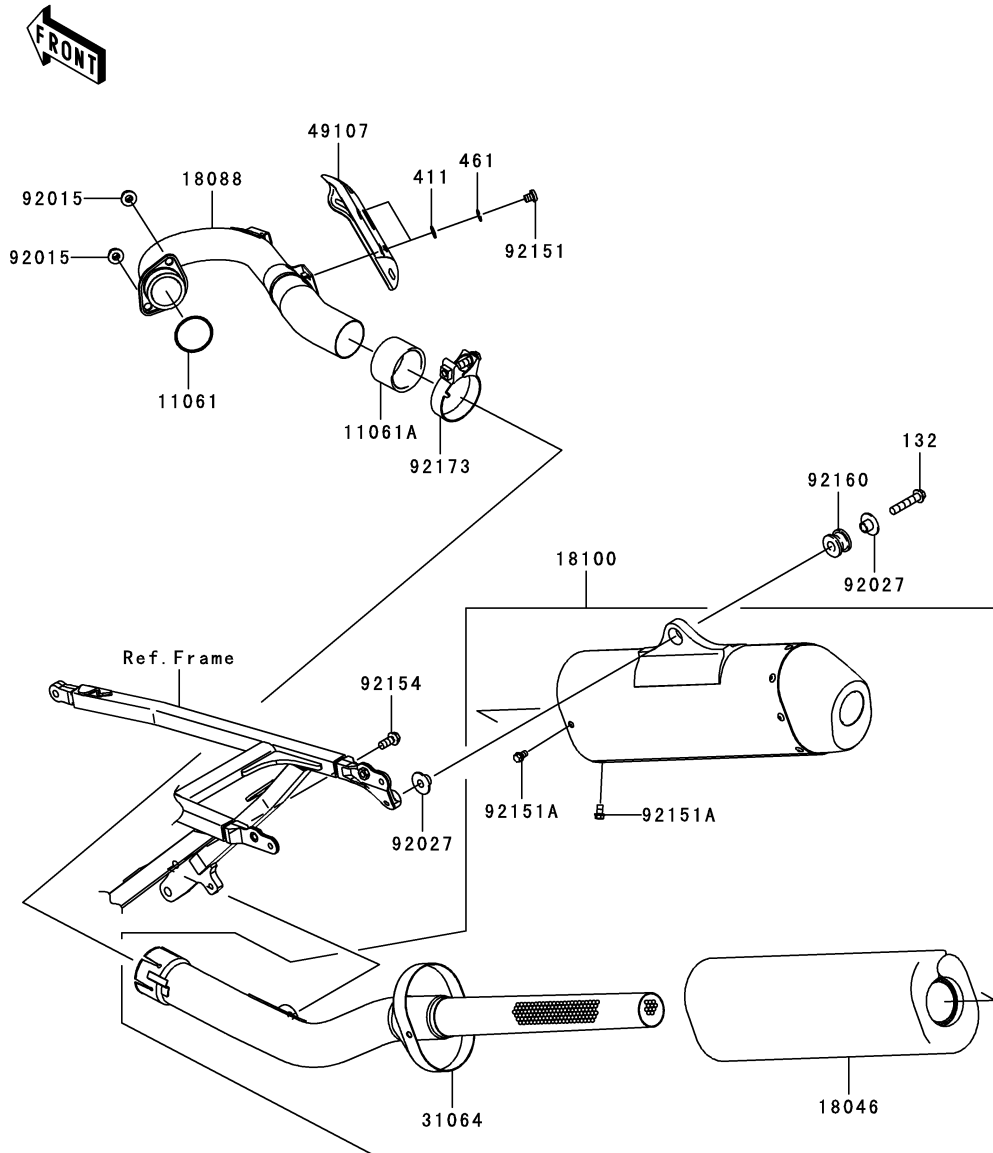


Ref. No.	Part No.	Description	Spec Code	Quantity-KX250	
				'10	XAFB
11011	11011-0157	CASE-AIR FILTER		1	
11013	11013-0011	ELEMENT-AIR FILTER		1	
13271	13271-0730	PLATE,DUCT FITTING		1	
13280	13280-0108	HOLDER,ELEMENT		1	
13280A	13280-0170	HOLDER		1	
14073	14073-0270	DUCT,FUNNEL		1	
59006	59006-0011	ARRESTER-FLAME		1	
92015	92015-1259	NUT,FLANGED,5MM		5	
92152	92152-0275	COLLAR		2	
92153	92153-0623	BOLT,6X75		1	
92153A	92153-0863	BOLT,6X16		2	
92161	92161-0213	DAMPER		2	
92171	92171-0651	CLAMP,DUCT,62MM		1	
130	130BA0512	BOLT-FLANGED,5X12		1	

This catalog covers:  
**'10 KX250XAFB Engine**

GRID NO. **B-7** This grid covers:  
**Muffler(s)**

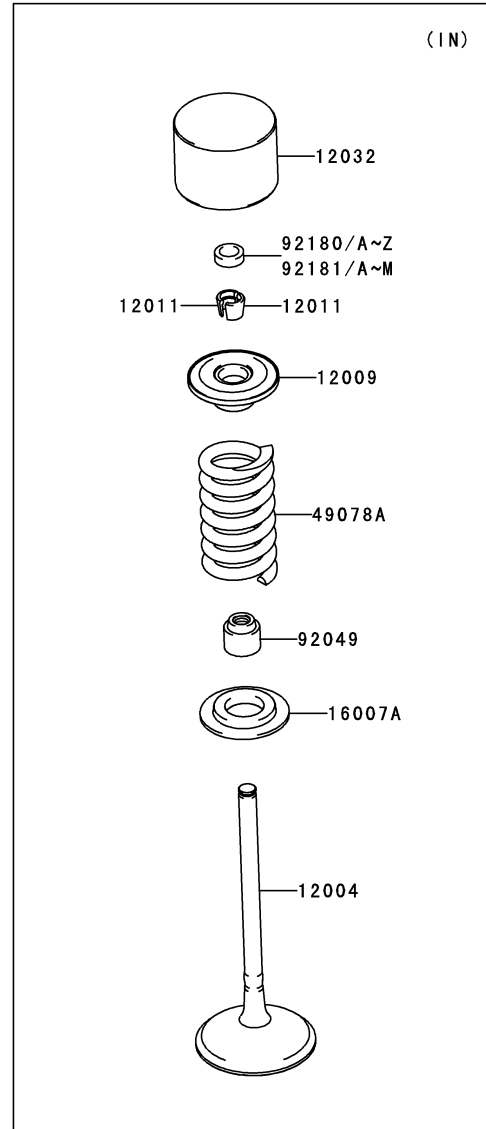
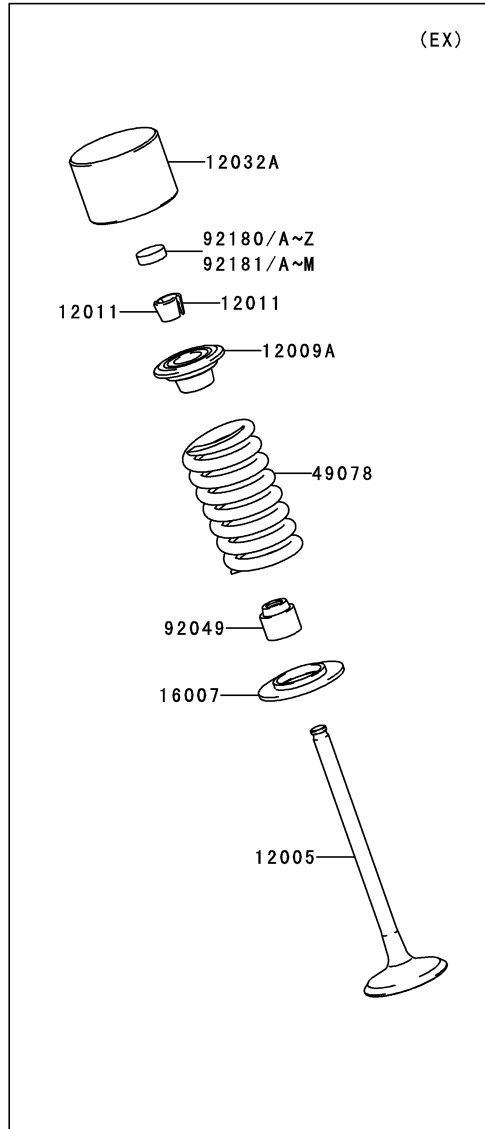
E1140



Ref. No.	Part No.	Description	Spec Code	Quantity-KX250	
				'10	XAFB
11061	11061-0027	GASKET,EX PIPE		1	
11061A	11061-0354	GASKET,CONNECTING		1	
18046	18046-0177	WOOL		1	
18088	18088-0524	PIPE-EXHAUST		1	
18100	18100-0102	BODY-ASSY-MUFFLER		1	
31064	31064-0195	PIPE-COMP		1	
49107	49107-0126	COVER-EXHAUST PIPE		1	
92015	92015-1402	NUT,8MM		2	
92027	92027-1653	COLLAR,FLANGED,8.8X10.6		2	
92151	92151-1449	BOLT,SOCKET,6X10		2	
92151A	92151-1822	BOLT,FLANGED,6X10		4	
92154	92154-0056	BOLT,FLANGED-SMALL,8X18		1	
92160	92160-1116	DAMPER,MUFFLER MOUNT		1	
92173	92173-0174	CLAMP,57MM		1	
132	132BA0840	BOLT-FLANGED-SMALL,8X40		1	
411	411S0600	WASHER-PLAIN,6MM		2	
461	461S0600	WASHER-SPRING,6MM		2	

E1210

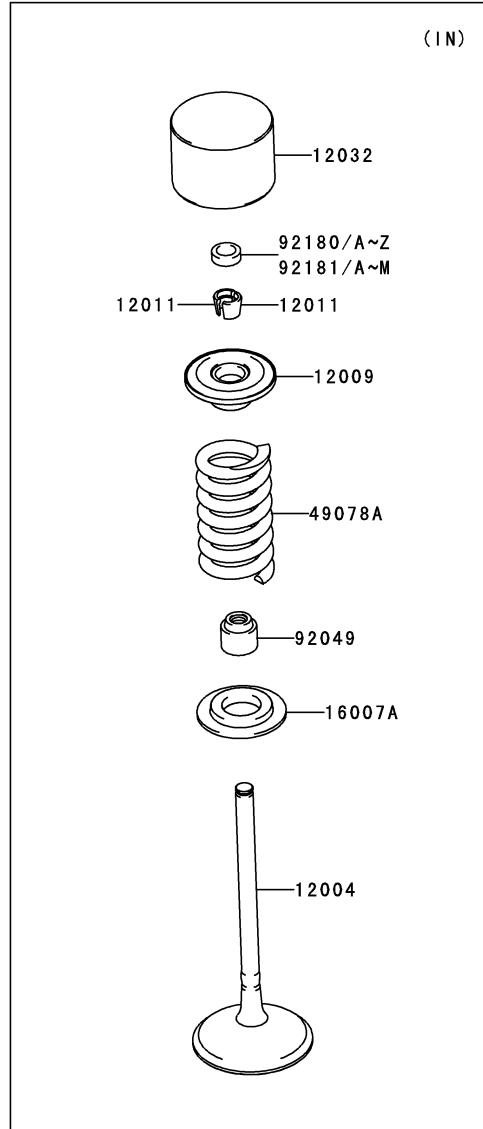
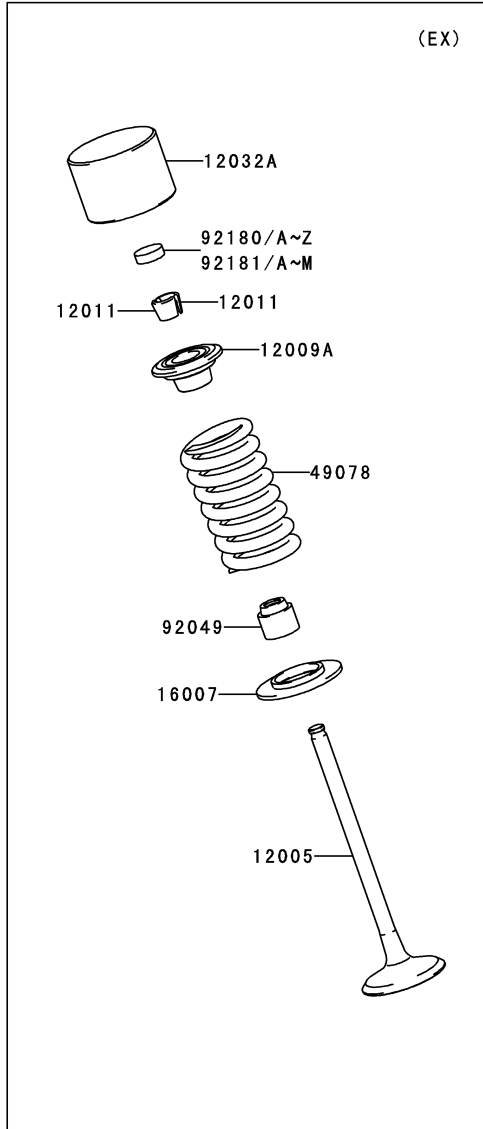
Ref. No.	Part No.	Description	Spec Code	Quantity-KX250			
				'10			
				XAFB			



12004	12004-0033	VALVE-INTAKE		2
12005	12005-0002	VALVE-EXHAUST		2
12009	12009-0010	RETAINER-VALVE SPRING		2
12009A	12009-1073	RETAINER-VALVE SPRING		2
12011	12011-1053	COLLET		8
12032	12032-0005	TAPPET,IN		2
12032A	12032-0006	TAPPET,EX		2
16007	16007-0002	SEAT-SPRING		2
16007A	16007-0029	SEAT-SPRING		2
49078	49078-0003	SPRING-ENGINE VALVE		2
49078A	49078-0056	SPRING-ENGINE VALVE		2
92049	92049-1349	SEAL-OIL,VSB 4.3 7.5 5.3 8.3		4
92180	92180-0167	SHIM,T=2.500		4
92180A	92180-0168	SHIM,T=2.525	AR	
92180B	92180-0169	SHIM,T=2.550	AR	
92180C	92180-0170	SHIM,T=2.575	AR	
92180D	92180-0171	SHIM,T=2.600	AR	
92180E	92180-0172	SHIM,T=2.625	AR	
92180F	92180-0173	SHIM,T=2.650	AR	
92180G	92180-0174	SHIM,T=2.675	AR	
92180H	92180-0175	SHIM,T=2.700	AR	
92180I	92180-0176	SHIM,T=2.725	AR	
92180J	92180-0177	SHIM,T=2.750	AR	
92180K	92180-0178	SHIM,T=2.775	AR	
92180L	92180-0179	SHIM,T=2.800	AR	
92180M	92180-0180	SHIM,T=2.825	AR	
92180N	92180-0181	SHIM,T=2.850	AR	
92180O	92180-0182	SHIM,T=2.875	AR	
92180P	92180-0183	SHIM,T=2.900	AR	
92180Q	92180-0184	SHIM,T=2.925	AR	
92180R	92180-0185	SHIM,T=2.950	AR	
92180S	92180-0186	SHIM,T=2.975	AR	
92180T	92180-0187	SHIM,T=3.000	AR	
92180U	92180-0188	SHIM,T=3.025	AR	
92180V	92180-0189	SHIM,T=3.050	AR	
92180W	92180-0190	SHIM,T=3.075	AR	
92180X	92180-0191	SHIM,T=3.100	AR	
92180Y	92180-0192	SHIM,T=3.125	AR	
92180Z	92180-0193	SHIM,T=3.150	AR	

E1210

Ref. No.	Part No.	Description	Spec Code	Quantity-KX250			
				'10			
				XAFB			



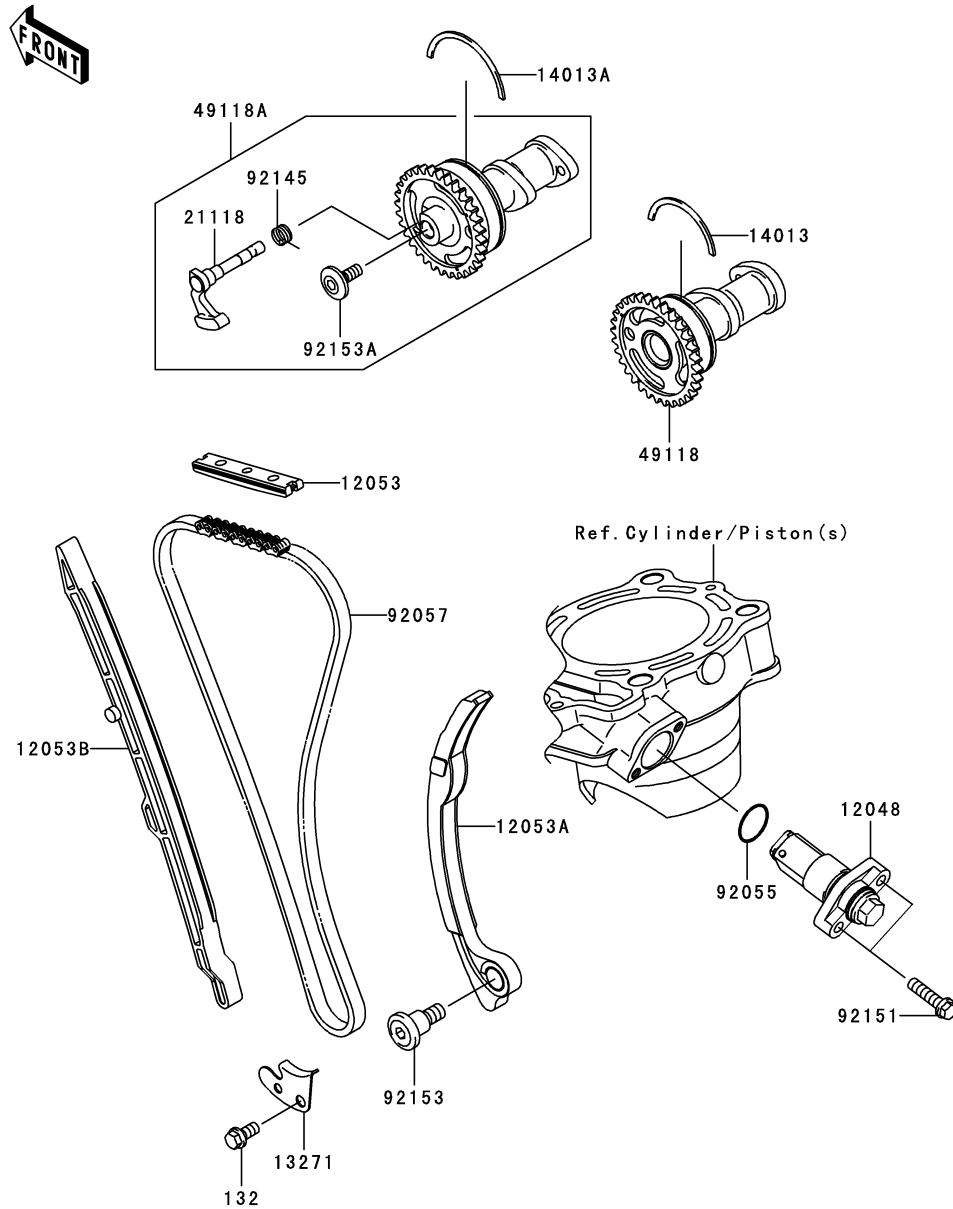
92181	92180-0194	SHIM,T=3.175	AR
92181A	92180-0195	SHIM,T=3.200	AR
92181B	92180-0196	SHIM,T=3.225	AR
92181C	92180-0197	SHIM,T=3.250	AR
92181D	92180-0198	SHIM,T=3.275	AR
92181E	92180-0199	SHIM,T=3.300	AR
92181F	92180-0200	SHIM,T=3.325	AR
92181G	92180-0201	SHIM,T=3.350	AR
92181H	92180-0202	SHIM,T=3.375	AR
92181I	92180-0203	SHIM,T=3.400	AR
92181J	92180-0204	SHIM,T=3.425	AR
92181K	92180-0205	SHIM,T=3.450	AR
92181L	92180-0206	SHIM,T=3.475	AR
92181M	92180-0207	SHIM,T=3.500	AR

This catalog covers:  
**'10 KX250XAFB Engine**

GRID NO. **B-10** This grid covers:  
**Camshaft(s)/Tensioner**

E1230

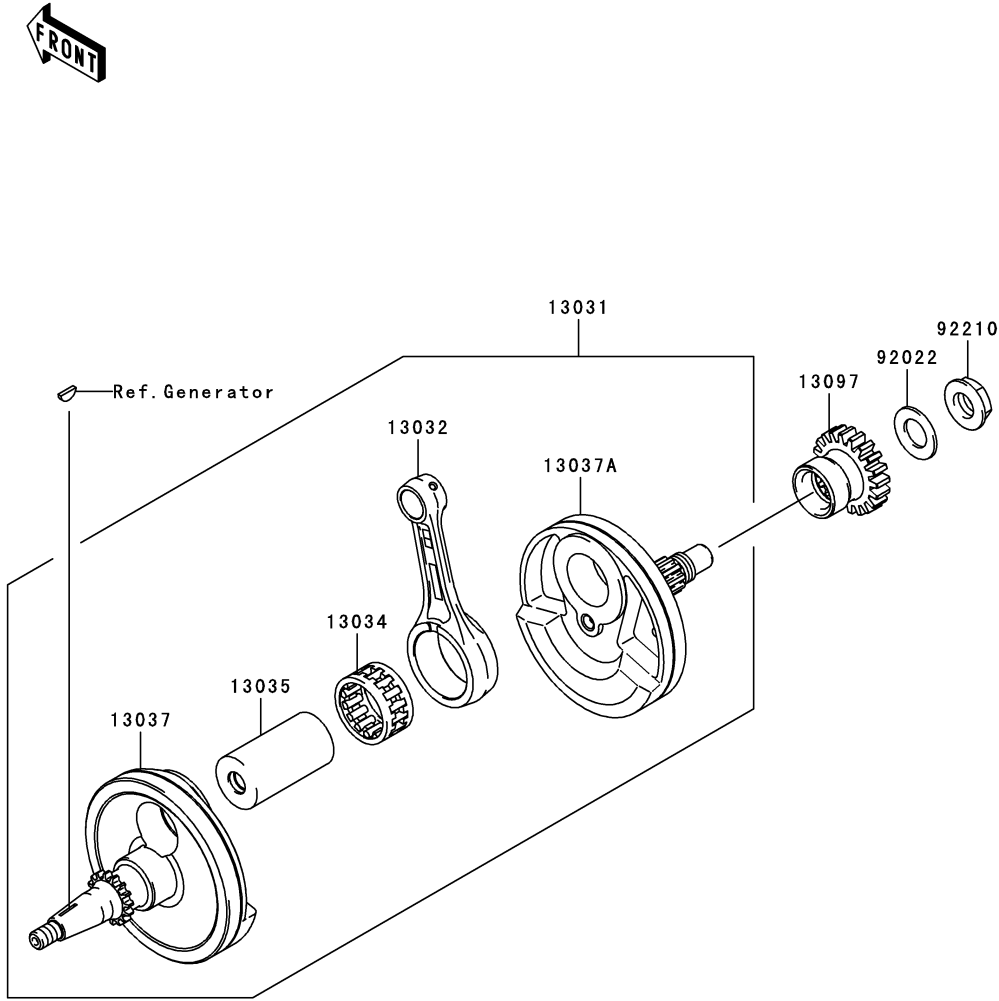
Ref. No.	Part No.	Description	Spec Code	Quantity-KX250	
				'10	XAFB
12048	12048-0056	TENSIONER-ASSY		1	
12053	12053-0009	GUIDE-CHAIN,UPP		1	
12053A	12053-0010	GUIDE-CHAIN,RR		1	
12053B	12053-0017	GUIDE-CHAIN,FR		1	
13271	13271-0808	PLATE,CAM CHAIN STOPPER		1	
14013	14013-0001	RING-POSITION		1	
14013A	14013-0002	RING-POSITION		1	
21118	21118-0004	DECOMPRESSOR		1	
49118	49118-0066	CAMSHAFT-COMP,INTAKE		1	
49118A	49118-0154	CAMSHAFT-COMP,EXHAUST		1	
92055	92055-086	RING-O,18.8X1.9		1	
92057	92057-0030	CHAIN,CAM,92RH2010-114		1	
92145	92145-0758	SPRING,DECOMP		1	
92151	92151-1930	BOLT,FLANGED-SMALL,6X25		2	
92153	92153-0572	BOLT,12X24.5		1	
92153A	92153-0918	BOLT,SOCKET,6X16		1	
132	132BA0612	BOLT-FLANGED-SMALL,6X12		1	





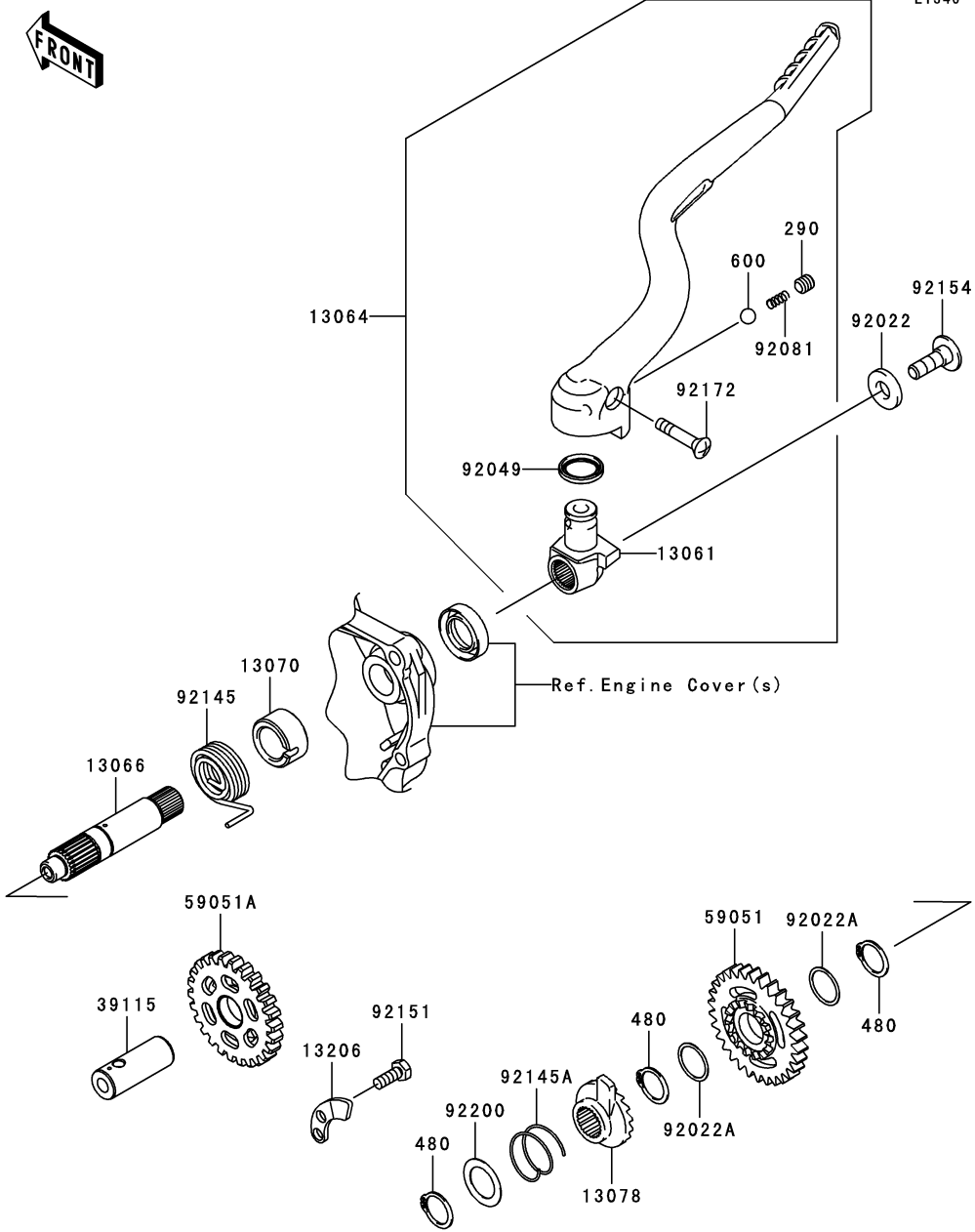
E1321

Ref. No.	Part No.	Description	Spec Code	Quantity-KX250			
				'10			
			XAFB				
13031	13031-0136	CRANKSHAFT-COMP		1			
13032	13032-0076	ROD-CONNECTING		1			
13034	13034-0019	BEARING-BIG END,B4		1			
13035	13035-0022	PIN-CRANK		1			
13037	13037-0164	CRANKSHAFT,LH		1			
13037A	13037-0165	CRANKSHAFT,RH		1			
13097	13097-0117	GEAR-PRIMARY SPUR,20T		1			
92022	92022-1356	WASHER,16.3X29X1.75		1			
92210	92210-0350	NUT,LEFT HANDED,16MM		1			



This catalog covers:  
**'10 KX250XAFB Engine**

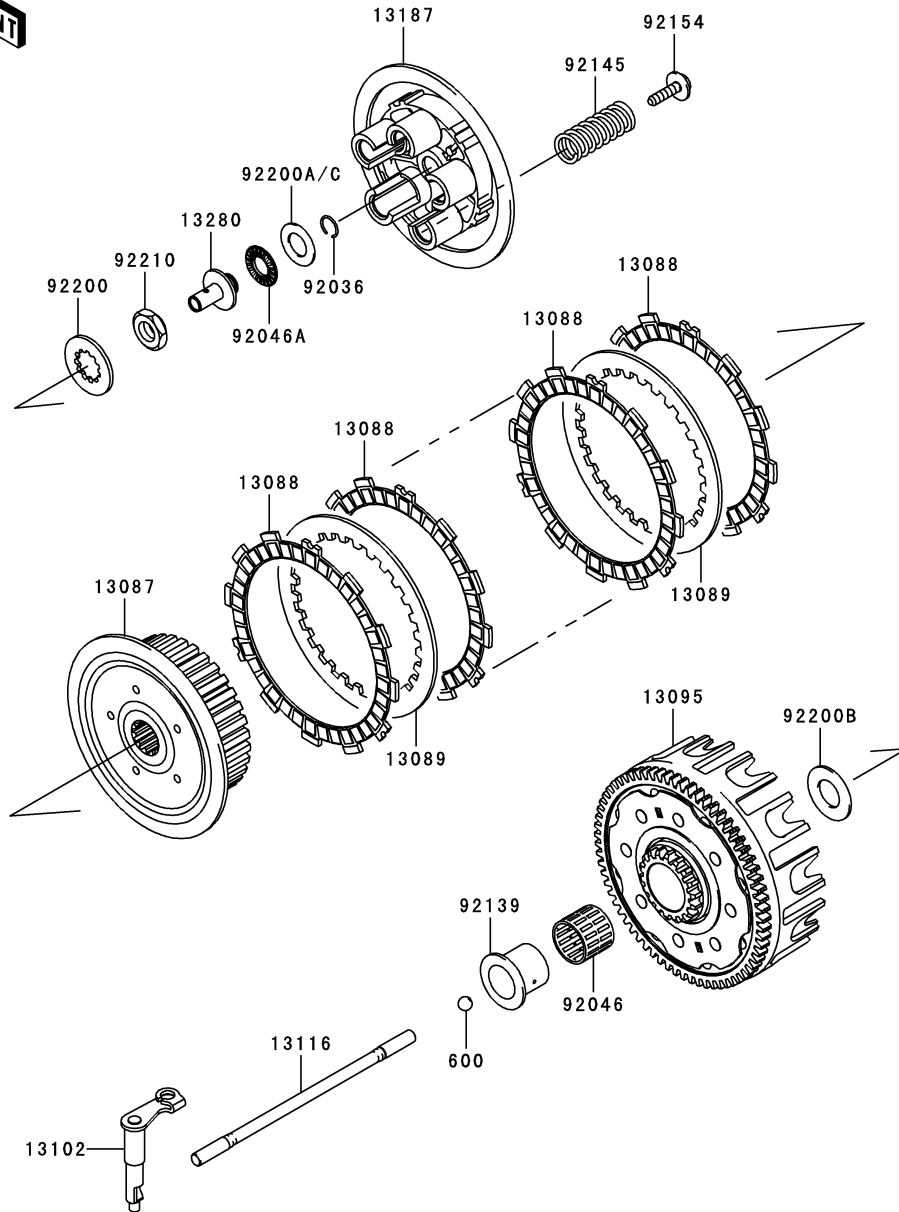
GRID NO. **B-12** This grid covers:  
**Kickstarter Mechanism**



E1340

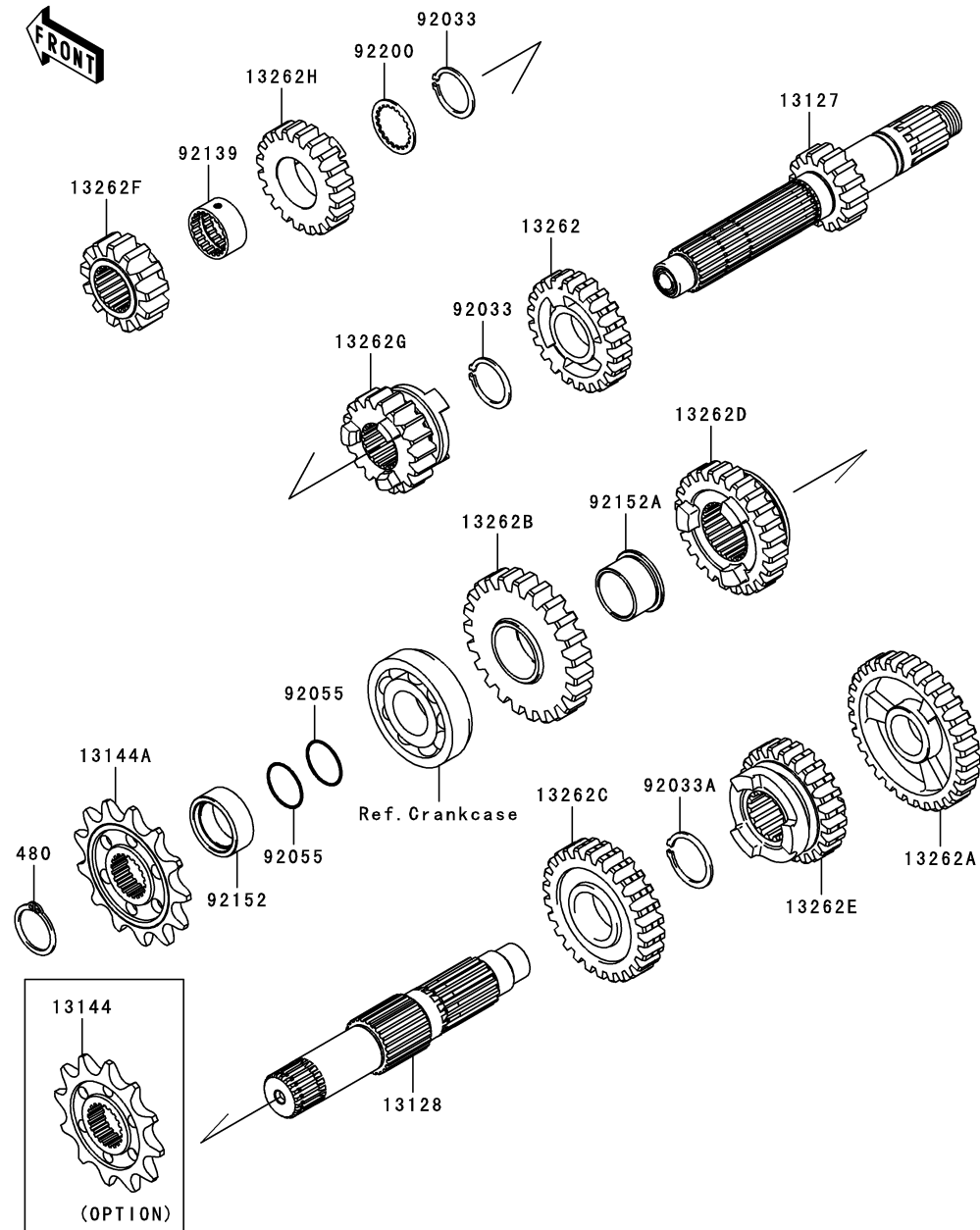
Ref. No.	Part No.	Description	Spec Code	Quantity-KX250			
				'10			
				XAFB			
13061	13061-0357	BOSS				1	
13064	13064-0059	LEVER-ASSY-KICK				1	
13066	13066-0004	SHAFT-KICK				1	
13070	13070-0011	GUIDE				1	
13078	13078-0025	RATCHET				1	
13206	13206-1062	GUIDE-KICK				1	
39115	39115-0021	SHAFT-IDLER,KICK				1	
59051	59051-0033	GEAR-SPUR,KICK STARTER,28T				1	
59051A	59051-0089	GEAR-SPUR,KICK STARTER,26T				1	
92022	92022-1944	WASHER,10X22X3.2				1	
92022A	92022-271	WASHER,18.3X22X0.5				2	
92049	92049-1387	SEAL-OIL,KICK PEDAL				1	
92081	92081-020	SPRING,KICK PEDAL				1	
92145	92145-0051	SPRING,KICK STARTER				1	
92145A	92145-0499	SPRING				1	
92151	92151-1652	BOLT,6X16				1	
92154	92154-0181	BOLT,SOCKET,8X25				1	
92172	92172-0248	SCREW,6X33				1	
92200	92200-0378	WASHER,18.3X27.5X0.5				1	
290	290CA0808	SCREW-SET-SOCKET,8X8				1	
480	480J1800	CIRCLIP-TYPE-C,18MM				3	
600	600A0800	BALL-STEEL,1/4"				1	

E1350



Ref. No.	Part No.	Description	Spec Code	Quantity-KX250	
				'10	XAFB
13087	13087-0017	HUB-CLUTCH		1	
13088	13088-0018	PLATE-FRICTION		8	
13089	13089-0005	PLATE-CLUTCH,T=1.6		7	
13095	13095-0121	HOUSING-COMP-CLUTCH		1	
13102	13102-0034	RELEASE-COMP-CLUTCH		1	
13116	13116-0037	ROD-PUSH		1	
13187	13187-1089	PLATE-CLUTCH OPERATING		1	
13280	13280-0339	HOLDER		1	
92036	92036-007	RING-SNAP,PISTON PIN		1	
92046	92046-0016	BEARING-NEEDLE,WRS273124A		1	
92046A	92046-1190	BEARING-NEEDLE,FNTA-1326		1	
92139	92139-0014	BUSHING		1	
92145	92145-0351	SPRING,K=10.7N/MM		5	
92154	92154-0180	BOLT,6X25		5	
92200	92200-0027	WASHER,21.6X38X2.5		1	
92200A	92200-0045	WASHER,13.4X25X1.0		AR	
92200B	92200-0098	WASHER,22.3X43X2		1	
92200C	92200-1548	WASHER,13.4X25.0X1.5		1	
92210	92210-1207	NUT,16MM		1	
600	600A1000	BALL-STEEL,5/16"		1	

E1361

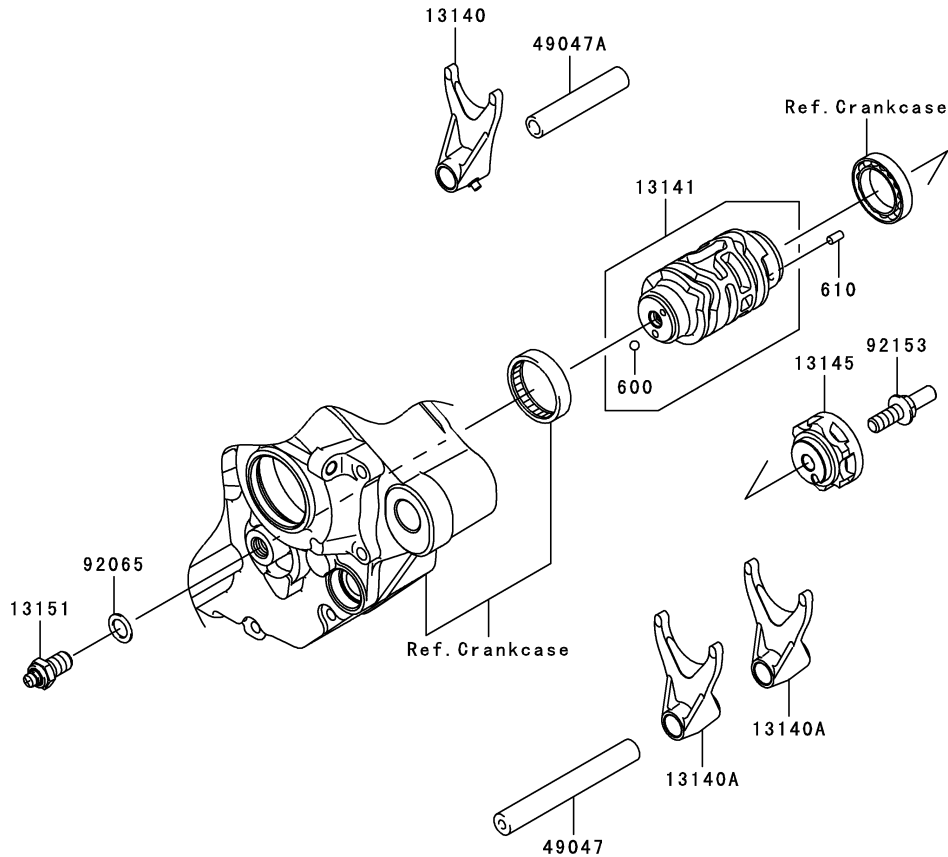


Ref. No.	Part No.	Description	Spec Code	Quantity-KX250			
				'10	XAFB		
13127	13127-0064	SHAFT-TRANSMISSION INPUT,14T					1
13128	13128-0046	SHAFT-TRANSMISSION OUTPUT					1
13144	13144-0036	SPROCKET-OUTPUT,12T					1
	(OPTION)						
13144A	13144-0064	SPROCKET-OUTPUT,13T					1
13262	13262-0671	GEAR,INPUT 5TH,22T					1
13262A	13262-0672	GEAR,OUTPUT LOW,30T					1
13262B	13262-0673	GEAR,OUTPUT 2ND,23T					1
13262C	13262-0674	GEAR,OUTPUT 3RD,26T					1
13262D	13262-0675	GEAR,OUTPUT 4TH,24T					1
13262E	13262-0676	GEAR,OUTPUT 5TH,23T					1
13262F	13262-0775	GEAR,INPUT 2ND,13T					1
13262G	13262-0776	GEAR,INPUT 3RD,18T					1
13262H	13262-0777	GEAR,INPUT 4TH,20T					1
92033	92033-0057	RING-SNAP					2
92033A	92033-1270	RING-SNAP					1
92055	92055-055	RING-O,19.5X1.5					2
92139	92139-0241	BUSHING					1
92152	92152-0683	COLLAR,22X30X11.4					1
92152A	92152-0687	COLLAR					1
92200	92200-0442	WASHER,22X26.6X1					1
480	480J2200	CIRCLIP-TYPE-C,22MM					1

E1362

Ref. No.	Part No.	Description	Spec Code	Quantity-KX250			
				'10			
				XAFB			

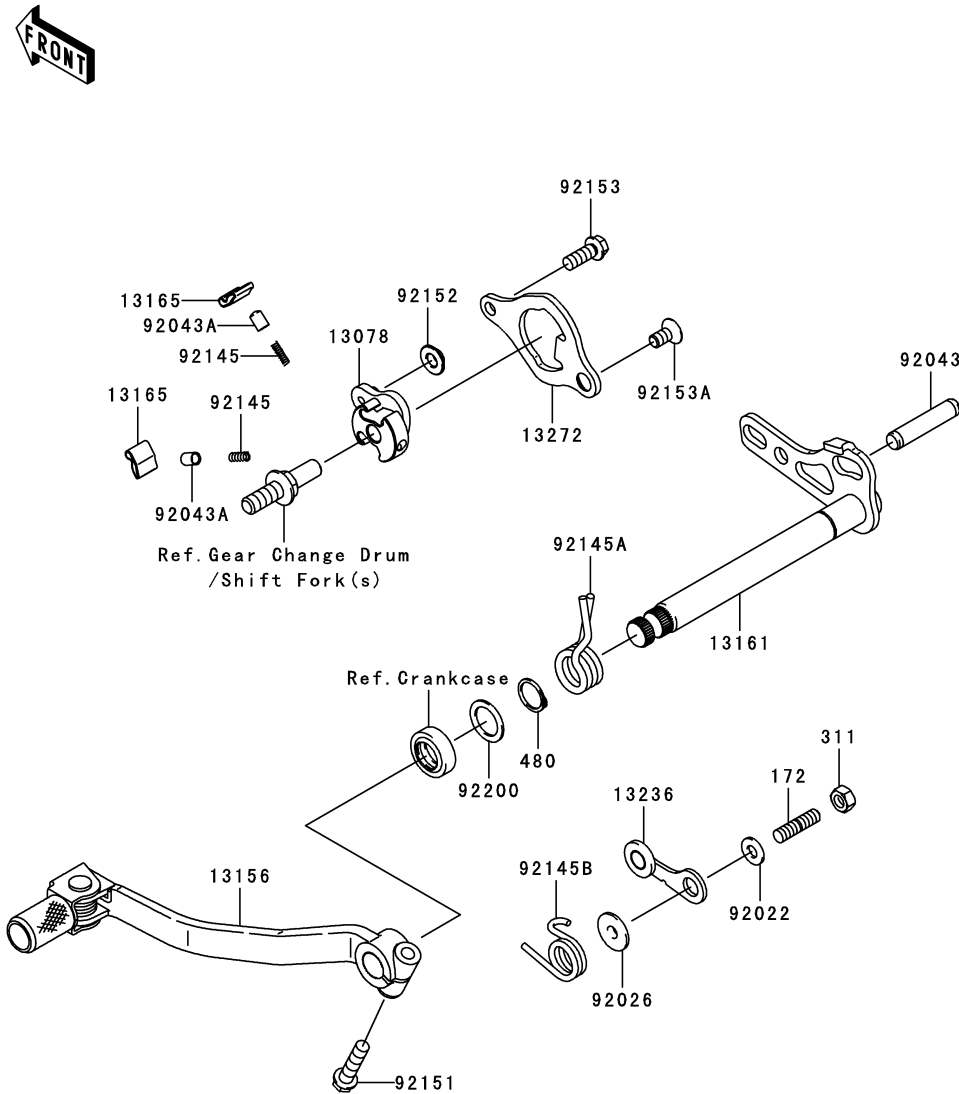
13140	13140-0056	FORK-SHIFT,IN				1
13140A	13140-0057	FORK-SHIFT,OUT				2
13141	13141-0052	DRUM-CHANGE				1
13145	13145-0031	CAM-CHANGE DRUM				1
13151	13151-0006	SWITCH-COMP,NEUTRAL				1
49047	49047-0003	ROD-SHIFT,OUTPUT,L=94.5				1
49047A	49047-0004	ROD-SHIFT,INPUT,L=63				1
92065	92065-058	GASKET,10.5X16X1				1
92153	92153-1735	BOLT				1
600	600A0700	BALL-STEEL,7/32"				1
610	610A0408	ROLLER,4X8				1



E1370

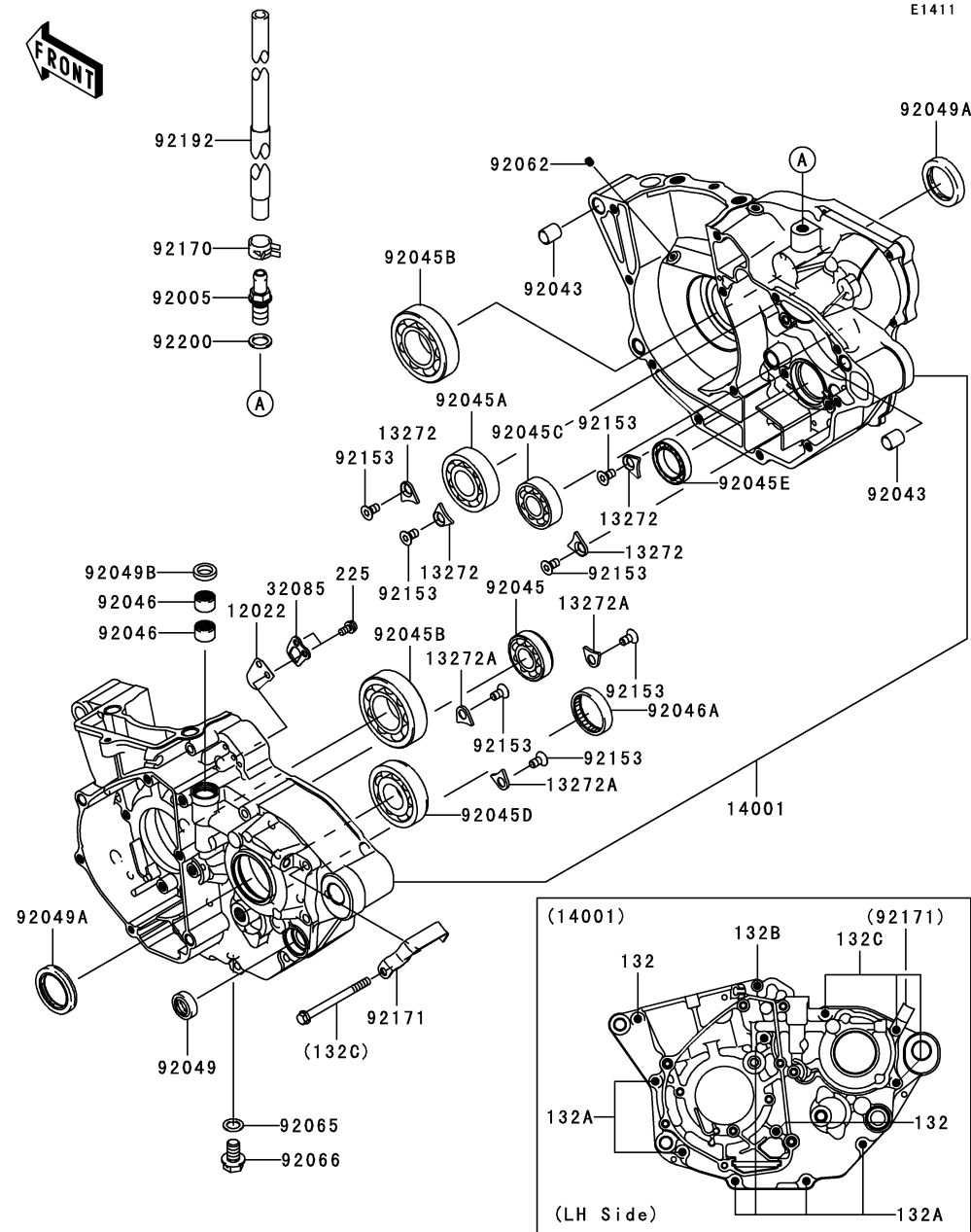
Ref. No.	Part No.	Description	Spec Code	Quantity-KX250		
				'10		
				XAFB		

13078	13078-0019	RATCHET			1
13156	13156-0124	LEVER-CHANGE,PEDAL			1
13161	13161-0067	LEVER-COMP-CHANGE SHAFT			1
13165	13165-0018	PAWL			2
13236	13236-0161	LEVER-COMP,POSITION			1
13272	13272-0438	PLATE			1
92022	92022-1827	WASHER,6X12.8X1.2			1
92026	92026-1217	SPACER			1
92043	92043-0017	PIN,8X39			1
92043A	92043-1676	PIN,PLUNGER			2
92145	92145-0453	SPRING			2
92145A	92145-0608	SPRING,RETURN			1
92145B	92145-0609	SPRING,POSITION			1
92151	92151-1930	BOLT,FLANGED-SMALL,6X25			1
92152	92152-1414	COLLAR			1
92153	92153-0825	BOLT,6X16			1
92153A	92153-1669	BOLT,TORX,6X8.7			1
92200	92200-0029	WASHER,14.2X20X1			1
172	172BA0612	BOLT-STUD,6X12			1
311	311BA0600	NUT-HEX			1
480	480J1400	CIRCLIP-TYPE-C,14MM			1



This catalog covers:  
**'10 KX250XAFB Engine**

GRID NO. **C-5** This grid covers:  
**Crankcase**



Ref. No.	Part No.	Description	Spec Code	Quantity-KX250	
				'10	XAFB
12022	12022-0006	VALVE-REED		1	
13272	13272-0488	PLATE		4	
13272A	13272-0670	PLATE		3	
14001	14001-0164	SET-CRANKCASE		1	
32085	32085-0011	STOPPER,VALVE-REED		1	
92005	92005-0014	FITTING,BREATHER		1	
92043	92043-4009	PIN,10.1X12X14		2	
92045	92045-0013	BEARING-BALL,3TM-SX0391ZC3		1	
92045A	92045-0051	BEARING-BALL,22X50X14		1	
92045B	92045-0052	BEARING-BALL,CRANKSHAFT MAIN		2	
92045C	92045-1287	BEARING-BALL,TMB203LU		1	
92045D	92045-1335	BEARING-BALL,SX04A81C3		1	
92045E	92045-1432	BEARING-BALL,6805JRZ		1	
92046	92046-1010	BEARING-NEEDLE,HK1210		2	
92046A	92046-1221	BEARING-NEEDLE,7E-HKS33X38X8		1	
92049	92049-0015	SEAL-OIL,SD2 14 22 6-1 NS		1	
92049A	92049-0030	SEAL-OIL,TC 30 40 7		2	
92049B	92049-1262	SEAL-OIL,AG0353-F0		1	
92062	92062-0004	NOZZLE		1	
92065	92065-058	GASKET,10.5X16X1		1	
92066	92066-1437	PLUG,DRAIN		1	
92153	92153-1669	BOLT,TORX,6X8.7		7	
92170	92170-1938	CLAMP		1	
92171	92171-0579	CLAMP		1	
92192	92192-0685	TUBE,BREATHER		1	
92200	92200-0087	WASHER,12.5X18X1.6		1	
132	132BA0650	BOLT-FLANGED-SMALL,6X50		2	
132A	132BA0660	BOLT-FLANGED-SMALL,6X60		6	
132B	132BA0665	BOLT-FLANGED-SMALL,6X65		1	
132C	132BA0670	BOLT-FLANGED-SMALL,6X70		3	
225	225AA0510	SCREW-PAN-WSP-CROS,5X10		2	

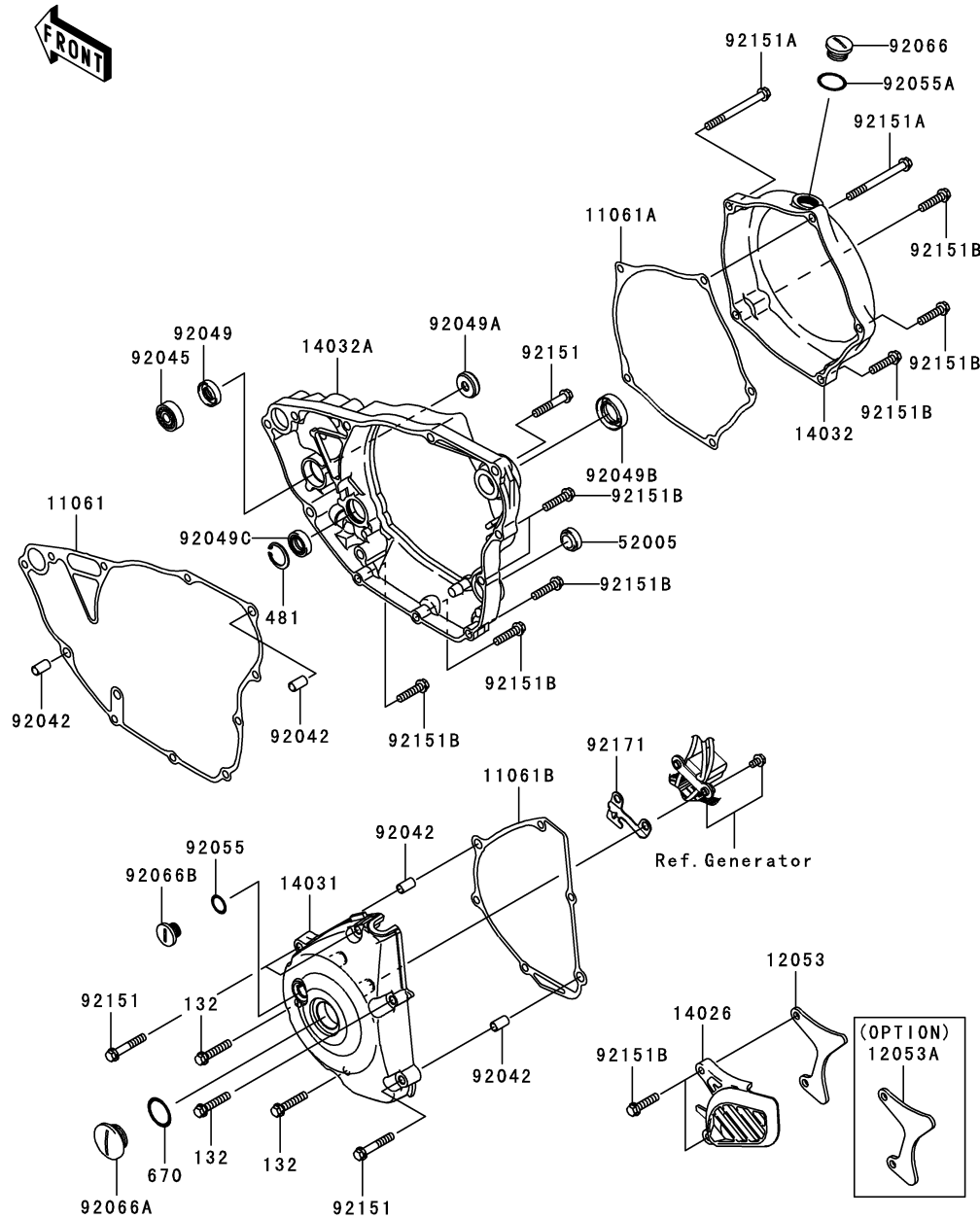
This catalog covers:  
**'10 KX250AFB Engine**

GRID NO.

**C-6**

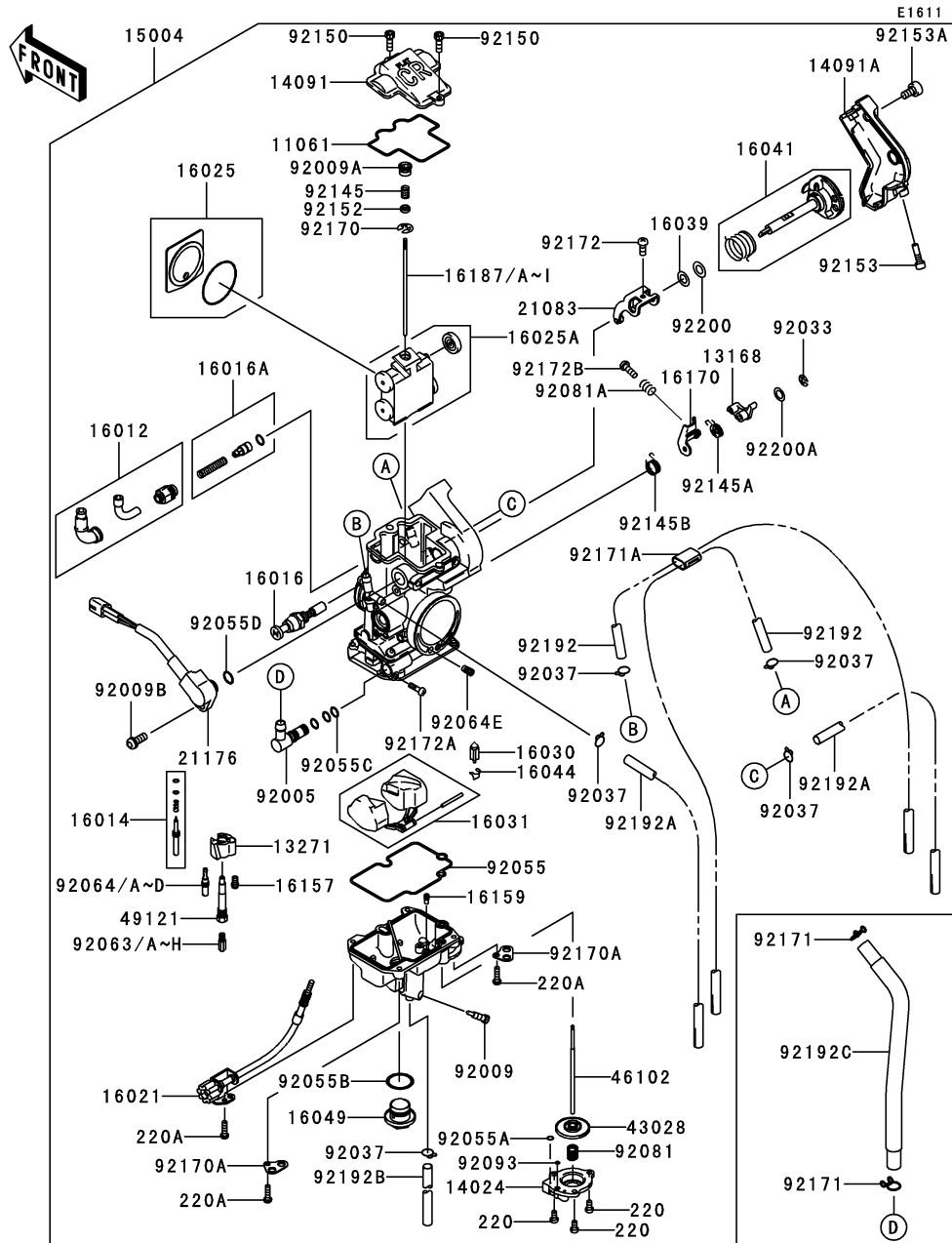
This grid covers:  
**Engine Cover(s)**

E1431



Ref. No.	Part No.	Description	Spec Code	Quantity-KX250	
				'10	XAFB
11061	11061-0361	GASKET,INNER			1
11061A	11061-0362	GASKET,OUTER			1
11061B	11061-0363	GASKET			1
12053	12053-0129	GUIDE-CHAIN,13T			1
12053A	12053-0130	GUIDE-CHAIN,12T (OPTION)			1
14026	14026-0026	COVER-CHAIN			1
14031	14031-0098	COVER-GENERATOR			1
14032	14032-0120	COVER-CLUTCH,OUTER			1
14032A	14032-0136	COVER-CLUTCH,INNER			1
52005	52005-1009	GAUGE,OIL LEVEL			1
92042	92042-007	PIN,DOWEL,6.3X8X14			4
92045	92045-1123	BEARING-BALL,#628			1
92049	92049-0060	SEAL-OIL,SD 8 22 5 ZS			1
92049A	92049-0061	SEAL-OIL			1
92049B	92049-013	SEAL-OIL,SB18307			1
92049C	92049-1519	SEAL-OIL,TC13225.5			1
92055	92055-1011	RING-O,13.0X1.9			1
92055A	92055-1146	RING-O,20X2			1
92066	92066-0011	PLUG,COVER			1
92066A	92066-0039	PLUG,12X9.1			1
92066B	92066-0150	PLUG,OIL			1
92151	92151-1135	BOLT,6X35			4
92151A	92151-1199	BOLT,6X65			2
92151B	92151-1930	BOLT,FLANGED-SMALL,6X25			10
92171	92171-0195	CLAMP,HARNES			1
132	132BC0630	BOLT-FLANGED-SMALL,6X30			3
481	481J2200	CIRCLIP			1
670	670B2022	O RING,22MM			1

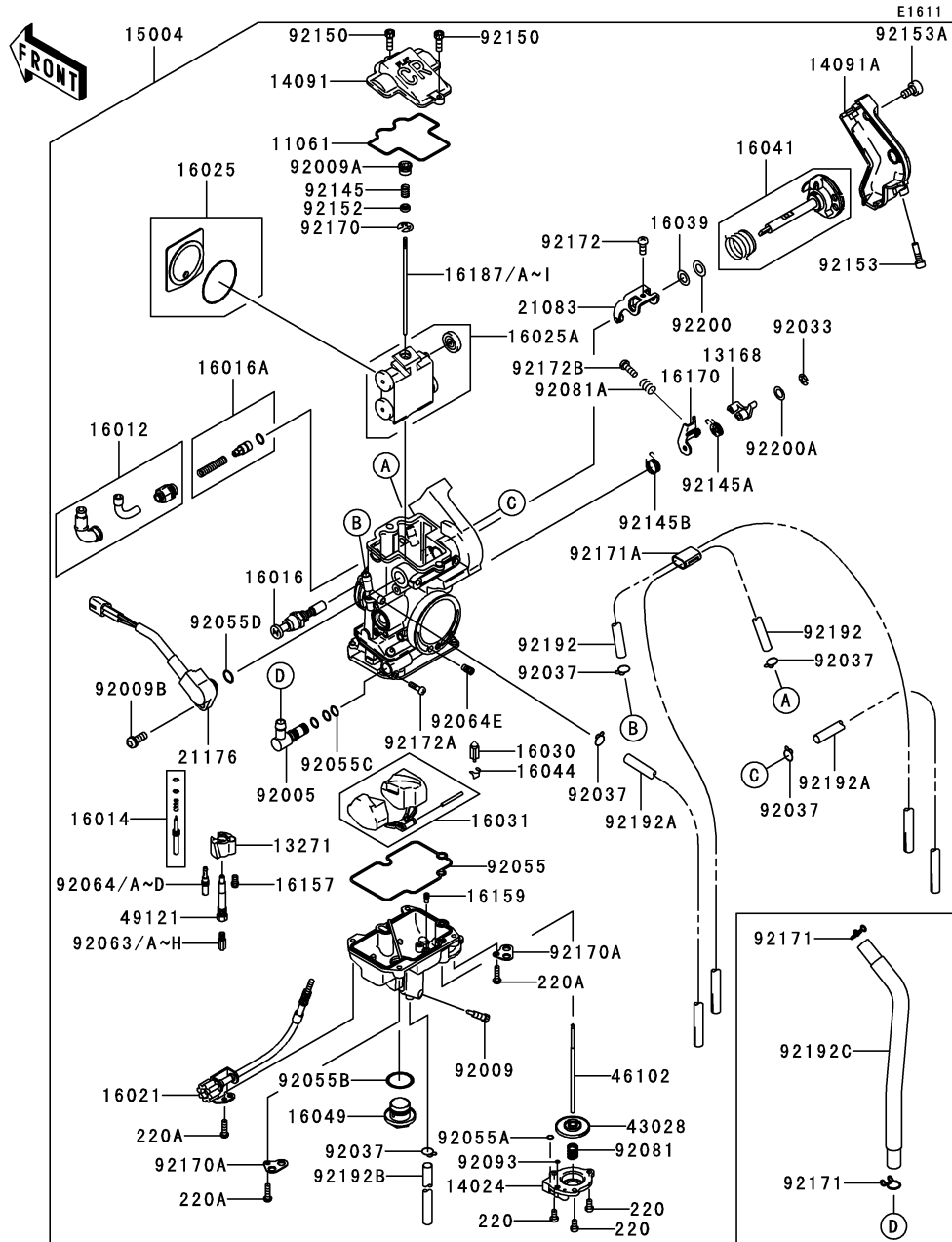




Ref. No.	Part No.	Description	Spec Code	Quantity-KX250	
				'10	XAFB
11061	11061-0077	GASKET		1	
13168	13168-0051	LEVER		1	
13271	13271-0241	PLATE		1	
14024	14024-1971	COVER		1	
14091	14091-0208	COVER, TOP		1	
14091A	14091-0209	COVER		1	
15004	15004-0077	CARBURETOR-ASSY,FCR-37		1	
16012	16012-0004	CAP-STARTER PLUNGER		1	
16014	16014-0004	SCREW-PILOT AIR		1	
16016	16016-0009	PLUNGER		1	
16016A	16016-0017	PLUNGER		1	
16021	16021-0005	SCREW-THROTTLE STOP		1	
16025	16025-0009	VALVE-THROTTLE		1	
16025A	16025-0013	VALVE-THROTTLE		1	
16030	16030-1057	VALVE-FLOAT		1	
16031	16031-1100	FLOAT		1	
16039	16039-0230	WASHER		1	
16041	16041-0004	SHAFT-CARBURETOR		1	
16044	16044-007	CLAMP,FLOAT VALVE		1	
16049	16049-1051	COVER-MAIN JET		1	
16157	16157-0001	JET-STARTER,#68		1	
16159	16159-1054	JET-POWER,#55		1	
16170	16170-0003	LINK-ASSY		1	
16187	16187-0238	NEEDLE-JET,NHJR		AR	
	(OPTION)				
16187A	16187-0239	NEEDLE-JET,NHJS		AR	
	(OPTION)				
16187B	16187-0240	NEEDLE-JET,NHJT		1	
16187C	16187-0241	NEEDLE-JET,NHJU		AR	
	(OPTION)				
16187D	16187-0242	NEEDLE-JET,NHJV		AR	
	(OPTION)				
16187E	16187-0262	NEEDLE-JET,NHKR		AR	
	(OPTION)				
16187F	16187-0263	NEEDLE-JET,NHKS		AR	
	(OPTION)				
16187G	16187-0264	NEEDLE-JET,NHKT		AR	
	(OPTION)				
16187H	16187-0265	NEEDLE-JET,NHКУ		AR	
	(OPTION)				
16187I	16187-0266	NEEDLE-JET,NHKV		AR	
	(OPTION)				

This catalog covers:  
**'10 KX250XAFB Engine**

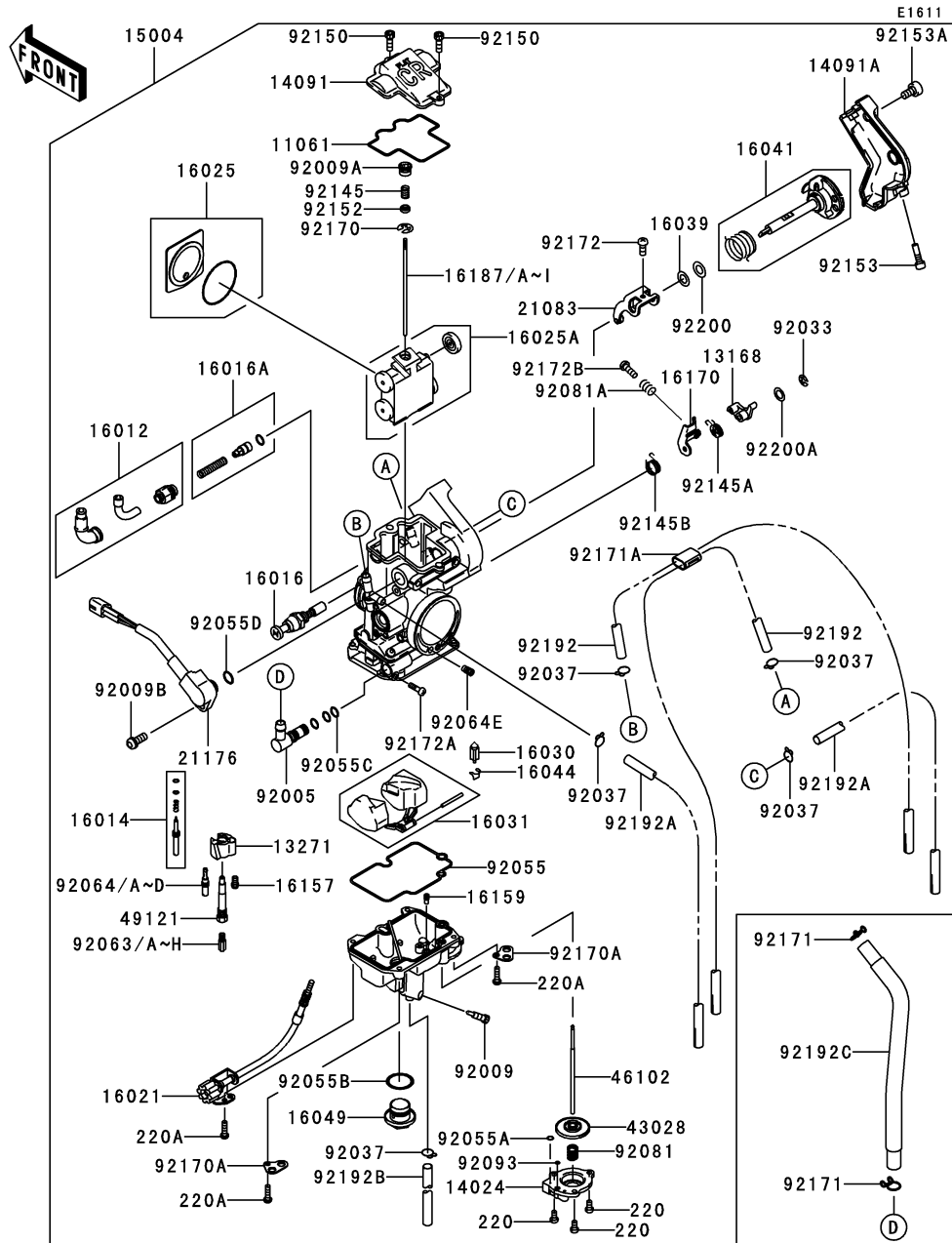
GRID NO. **C-8** This grid covers:  
**Carburetor(2/3)**



Ref. No.	Part No.	Description	Spec Code	Quantity-KX250	
				'10	XAFB
21083	21083-0035	ARM		1	
21176	21176-0016	SENSOR,THROTTLE		1	
43028	43028-0001	DIAPHRAGM		1	
46102	46102-0033	ROD		1	
49121	49121-0001	NOZZLE-MAIN		1	
92005	92005-0016	FITTING		1	
92009	92009-1551	SCREW,DRAIN,6X0.75		1	
92009A	92009-1876	SCREW		1	
92009B	92009-1981	SCREW,THROTTLE SENSOR		1	
92033	92033-0018	RING-SNAP		1	
92037	92037-1396	CLAMP,TUBE		5	
92055	92055-0066	RING-O,FLOAT CHAMBER		1	
92055A	92055-1004	RING-O		1	
92055B	92055-1167	RING-O,MAIN JET COVER		1	
92055C	92055-1223	RING-O		3	
92055D	92055-1671	RING-O		1	
92063	92063-1374	JET-MAIN,#175		AR	
	(OPTION)				
92063A	92063-1375	JET-MAIN,#178		AR	
	(OPTION)				
92063B	92063-1376	JET-MAIN,#180		AR	
	(OPTION)				
92063C	92063-1377	JET-MAIN,#182		AR	
	(OPTION)				
92063D	92063-1378	JET-MAIN,#185		1	
92063E	92063-1379	JET-MAIN,#188		AR	
	(OPTION)				
92063F	92063-1380	JET-MAIN,#190		AR	
	(OPTION)				
92063G	92063-1381	JET-MAIN,#192		AR	
	(OPTION)				
92063H	92063-1382	JET-MAIN,#195		AR	
	(OPTION)				
92064	92064-1140	JET-PILOT,#40		AR	
	(OPTION)				
92064A	92064-1141	JET-PILOT,#42		AR	
	(OPTION)				
92064B	92064-1142	JET-PILOT,#45		1	
92064C	92064-1143	JET-PILOT,#48		AR	
	(OPTION)				
92064D	92064-1144	JET-PILOT,#50		AR	
	(OPTION)				

This catalog covers:  
**'10 KX250XAFB Engine**

GRID NO. **C-9** This grid covers:  
**Carburetor(3/3)**

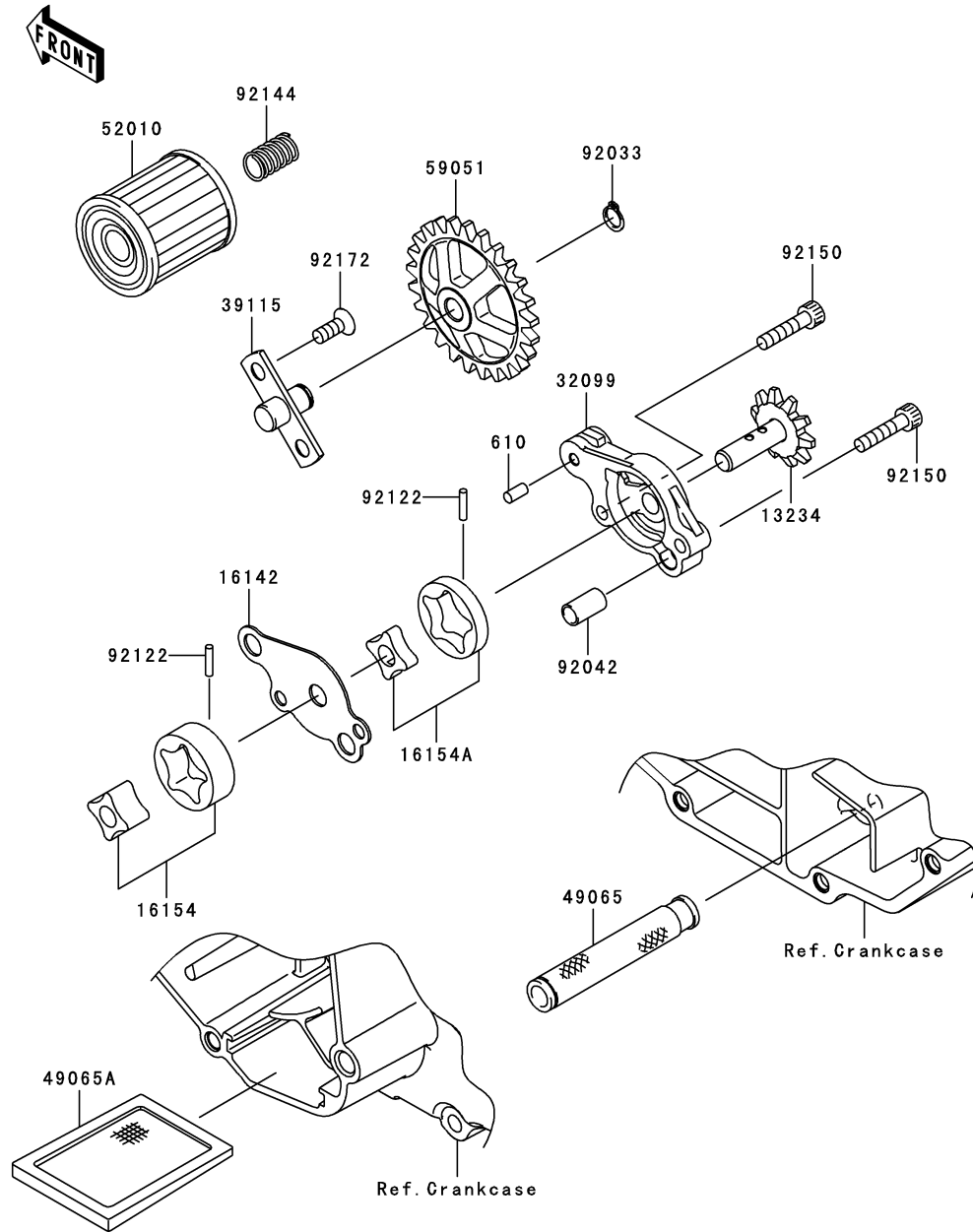


Ref. No.	Part No.	Description	Spec Code	Quantity-KX250	
				'10	XAFB
92064E	92064-1160	JET-PILOT,#100			1
92081	92081-1092	SPRING,DIAPHRAGM			1
92081A	92081-1620	SPRING			1
92093	92093-1046	SEAL,"U"RING			1
92145	92145-0164	SPRING			1
92145A	92145-0166	SPRING			1
92145B	92145-0167	SPRING			1
92150	92150-1426	BOLT,SOCKET,4X12			2
92152	92152-0141	COLLAR			1
92153	92153-0638	BOLT			1
92153A	92153-0639	BOLT			1
92170	92170-1204	CLAMP,JET NEEDLE			1
92170A	92170-1582	CLAMP			2
92171	92171-0149	CLAMP			2
92171A	92171-0246	CLAMP			1
92172	92172-0127	SCREW			1
92172A	92172-0128	SCREW			1
92172B	92172-0129	SCREW			1
92192	92192-0083	TUBE			2
92192A	92192-0084	TUBE			2
92192B	92192-0085	TUBE			1
92192C	92192-0688	TUBE,FUEL			1
92200	92200-0107	WASHER			1
92200A	92200-1434	WASHER, LINK ARM,STAINLESS			1
220	220AA0408	SCREW-PAN-CROS,4X8			3
220A	220AA0414	SCREW-PAN-CROS,4X14			4

This catalog covers:  
**'10 KX250XAFB Engine**

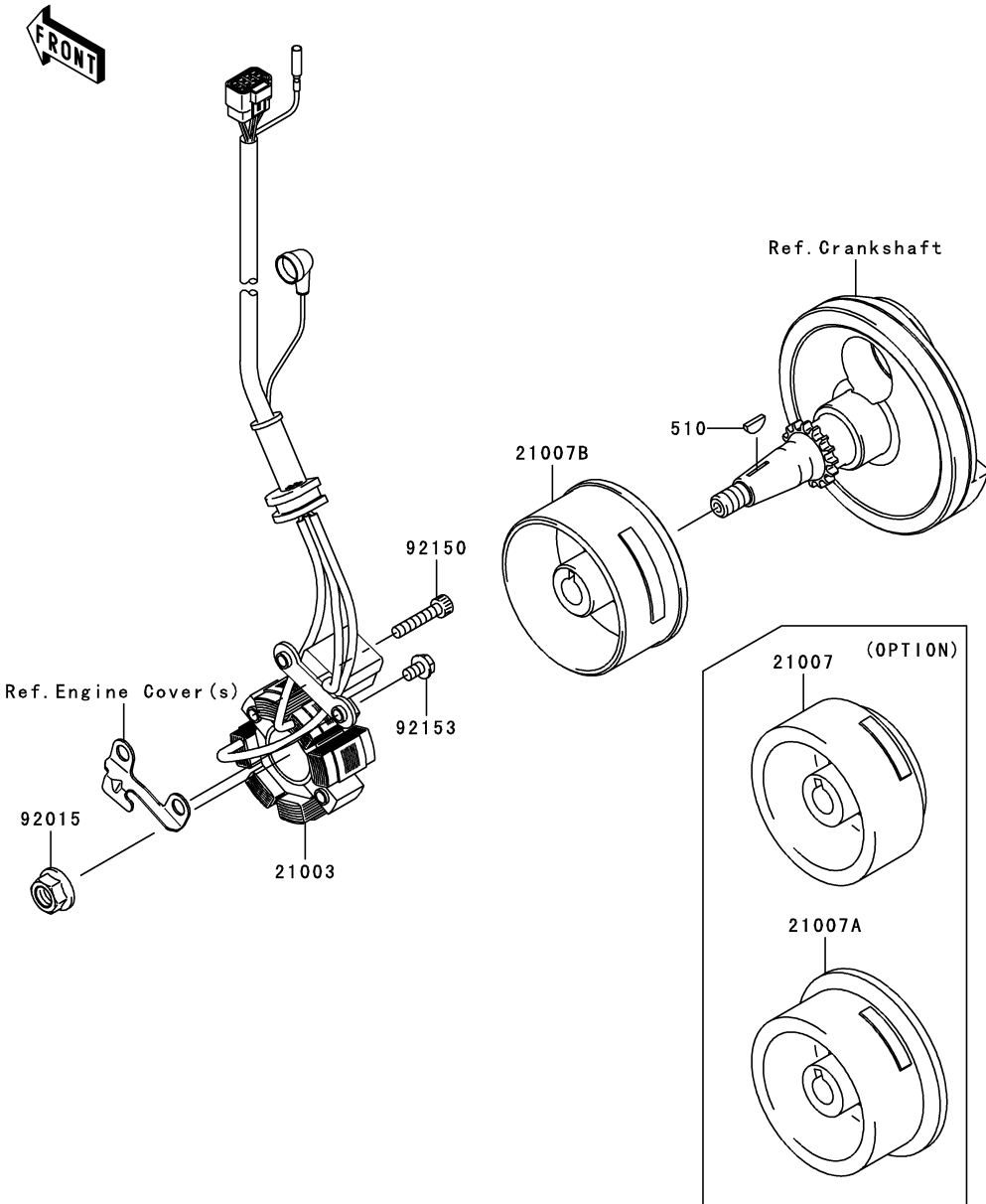
GRID NO. **C-10** This grid covers:  
**Oil Pump**

E1710



Ref. No.	Part No.	Description	Spec Code	Quantity-KX250			
				'10			
				XAFB			
13234	13234-0045	SHAFT-COMP,OIL PUMP				1	
16142	16142-0003	COVER-PUMP				1	
16154	16154-0090	ROTOR-PUMP,SCAVENGE				1	
16154A	16154-0093	ROTOR-PUMP,FEED				1	
32099	32099-0051	CASE,OIL PUMP				1	
39115	39115-0007	SHAFT-IDLER,OIL PUMP				1	
49065	49065-0017	FILTER-OIL				1	
49065A	49065-0023	FILTER-OIL				1	
52010	52010-0001	ELEMENT-OIL FILTER				1	
59051	59051-0009	GEAR-SPUR,PUMP IDLER				1	
92033	92033-1039	RING-SNAP,8MM				1	
92042	92042-007	PIN,DOWEL,6.3X8X14				1	
92122	92122-0021	ROLLER,2.5X11.8				2	
92144	92144-1761	SPRING				1	
92150	92150-1491	BOLT,SOCKET,5X22				2	
92172	92172-0087	SCREW,6X14				2	
610	610A0408	ROLLER,4X8				1	

E1810

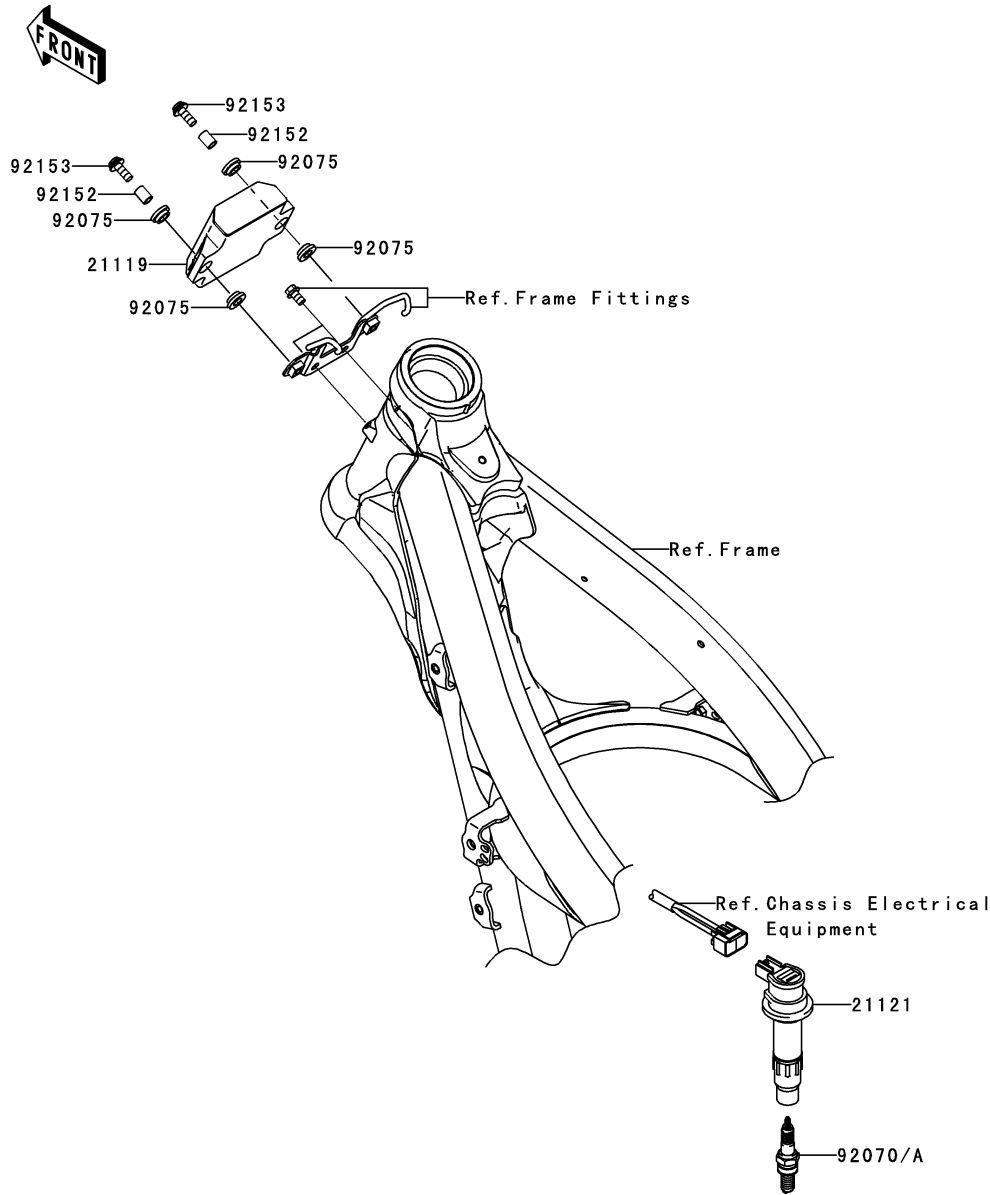


Ref. No.	Part No.	Description	Spec Code	Quantity-KX250			
				'10			
				XAFB			
21003	21003-0091	STATOR					1
21007	21007-0071	ROTOR,I=3.6					1
	(OPTION)						
21007A	21007-0072	ROTOR,I=4.8					1
	(OPTION)						
21007B	21007-0133	ROTOR,I=4.4					1
92015	92015-1428	NUT,FLANGED,10MM					1
92150	92150-1684	BOLT,SOCKET,5X25					2
92153	92153-0687	BOLT,5X10					2
510	510A3200	KEY-WOODRUFF					1

This catalog covers:  
**'10 KX250XAFB Engine**

GRID NO. **C-12** This grid covers:  
**Ignition System**

E1830

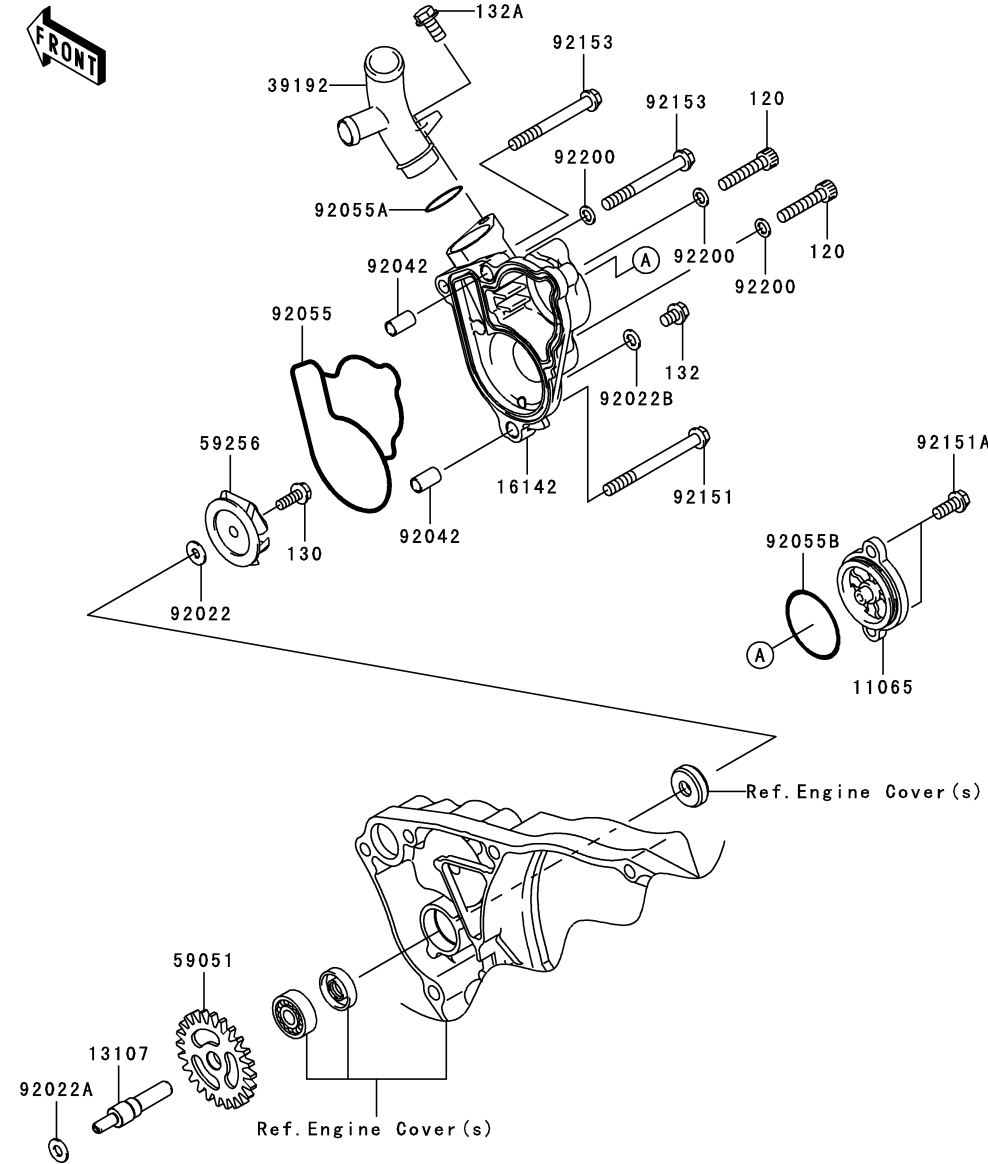


Ref. No.	Part No.	Description	Spec Code	Quantity-KX250			
				'10			
				XAFB			
21119	21119-0103	IGNITER					1
21121	21121-0021	COIL-IGNITION					1
92070	92070-0019	PLUG-SPARK,CR8E(NGK)					1
92070A	92070-1266	PLUG-SPARK,CR9E(NGK)					1
92075	92075-1138	DAMPER,8MM					4
92152	92152-0261	COLLAR,6.5X8.5X11.5					2
92153	92153-0626	BOLT,6X20					2

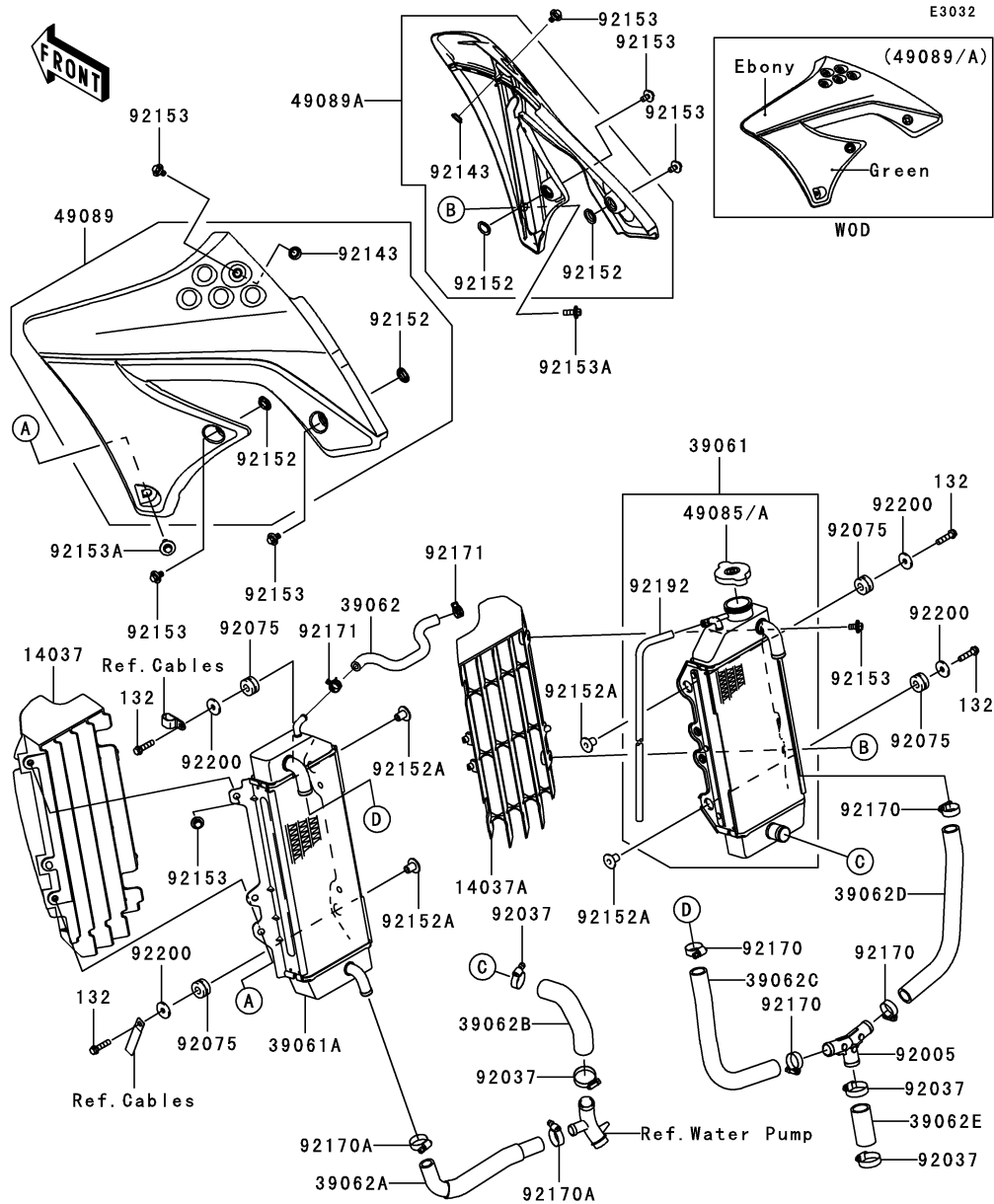
This catalog covers:  
**'10 KX250XAFB Engine**

GRID NO. This grid covers:  
**C-13 Water Pump**

E3031



Ref. No.	Part No.	Description	Spec Code	Quantity-KX250			
				'10	XAFB		
11065	11065-0087	CAP				1	
13107	13107-0196	SHAFT,WATER PUMP				1	
16142	16142-0020	COVER-PUMP,WATER				1	
39192	39192-0037	PIPE-WATER				1	
59051	59051-0061	GEAR-SPUR,WATER PUMP				1	
59256	59256-1065	IMPELLER				1	
92022	92022-1380	WASHER,5.2X13X1				1	
92022A	92022-1827	WASHER,6X12.8X1.2				1	
92022B	92022-304	WASHER,6.2X11X1				1	
92042	92042-007	PIN,DOWEL,6.3X8X14				2	
92055	92055-0010	RING-O,WATER PUMP				1	
92055A	92055-1308	RING-O,18.8X2.4				1	
92055B	92055-520	RING-O,35.2X1.9				1	
92151	92151-1199	BOLT,6X65				1	
92151A	92151-1423	BOLT,6X14				2	
92153	92153-0696	BOLT,6X55				2	
92200	92200-0190	WASHER,6.1X10.0X1.0				3	
120	120CC0630	BOLT-SOCKET,6X30				2	
130	130CD0514	BOLT-FLANGED,5X14				1	
132	132BA0608	BOLT-FLANGED-SMALL,6X8				1	
132A	132BA0612	BOLT-FLANGED-SMALL,6X12				1	



Ref. No.	Part No.	Description	Spec Code	Quantity-KX250	
				'10	XAFB
14037	14037-0100-6C	SCREEN,LH,EBONY		1	
14037A	14037-0101-6C	SCREEN,RH,EBONY		1	
39061	39061-0168	RADIATOR-ASSY,RH		1	
39061A	39061-0179	RADIATOR-ASSY,LH		1	
39062	39062-0258	HOSE-COOLING,RAD LH-RAD RH		1	
39062A	39062-0292	HOSE-COOLING,RAD.LH-W/P		1	
39062B	39062-0293	HOSE-COOLING,RAD.RH-W/P		1	
39062C	39062-0294	HOSE-COOLING,RAD.LH-FIT.		1	
39062D	39062-0295	HOSE-COOLING,RAD.RH-FIT.		1	
39062E	39062-1348	HOSE-COOLING		1	
49085	49085-1070	CAP-ASSY-PRESSURE,P1.1		1	
49085A	49085-1073	CAP-ASSY-PRESSURE,P1.6		1	
	(OPTION)				
49089	49089-0068-27W	SHROUD-ENGINE,LH,UP EBO+LO GRN		1	
49089A	49089-0069-27W	SHROUD-ENGINE,RH,UP EBO+LO GRN		1	
92005	92005-0101	FITTING		1	
92037	92037-1589	CLAMP,COOLING HOSE		4	
92075	92075-209	DAMPER		4	
92143	92143-1196	COLLAR		2	
92152	92152-0052	COLLAR		4	
92152A	92152-0379	COLLAR,6.3X9.5(20)X14.2		4	
92153	92153-0503	BOLT,6X12		8	
92153A	92153-0864	BOLT,6X20		2	
92170	92170-1077	CLAMP,HOSE,26MM		4	
92170A	92170-1283	CLAMP		2	
92171	92171-0372	CLAMP,CLIP,12.5MM		2	
92192	92192-0167	TUBE,6X9X640		1	
92200	92200-0271	WASHER,6.5X22X2.3		4	
132	132BB0625	BOLT-FLANGED-SMALL,6X25		4	



This catalog covers:

'10 KX250XAFB Chassis

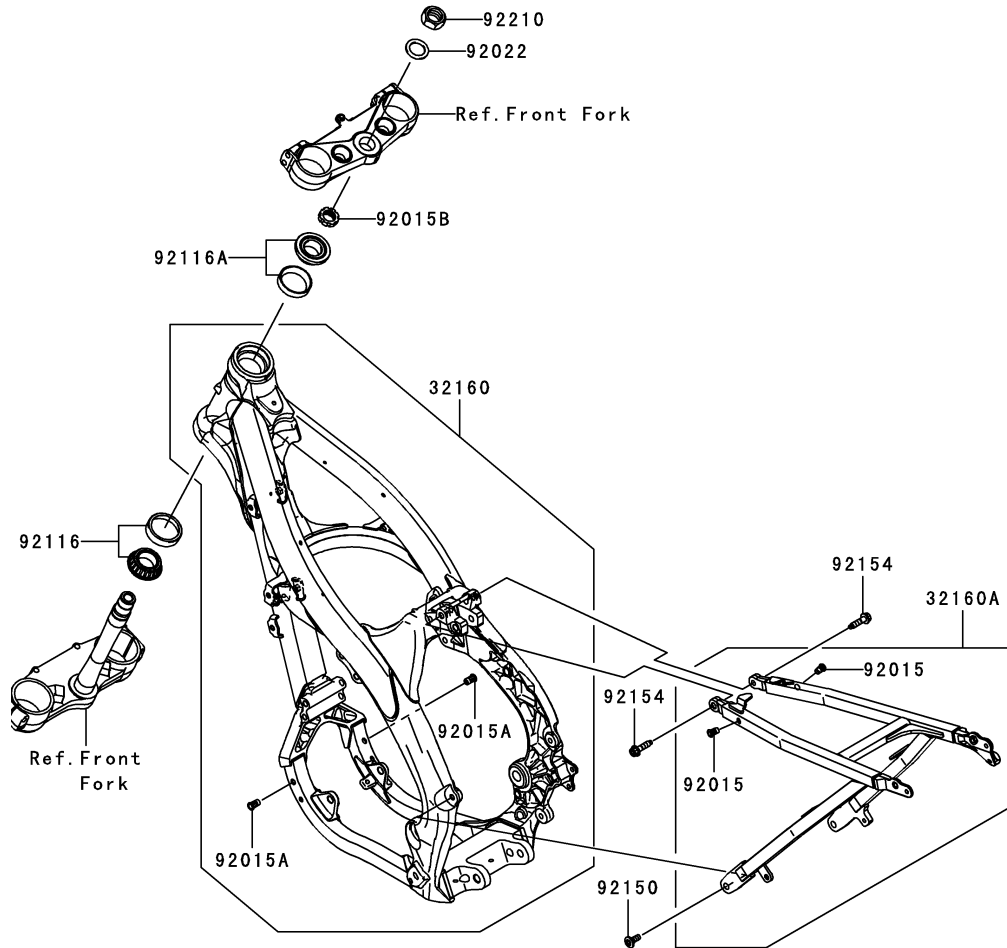
GRID NO.

**D-3**

This grid covers:

**Frame**

F2120



Ref. No.	Part No.	Description	Spec Code	Quantity-KX250			
				'10			
				XAFB			
32160	32160-0331	FRAME-COMP,FR					1
32160A	32160-0463	FRAME-COMP,RR					1
92015	92015-1791	NUT,POP,6MM,L=15					2
92015A	92015-1792	NUT,POP,6MM,L=16.5					2
92015B	92015-1861	NUT,STEERING STEM,28MM					1
92022	92022-250	WASHER,25X36X2.3					1
92116	92116-1069	BEARING-ROLLER,HI-CAP32006JRRS					1
92116A	92116-1076	BEARING-ROLLER,HI-CAP320/28JRR					1
92150	92150-1760	BOLT,SOCKET,8X20					2
92154	92154-0024	BOLT,SOCKET,8X32					2
92210	92210-0066	NUT,24MM					1

This catalog covers:

'10 KX250XAFB Chassis

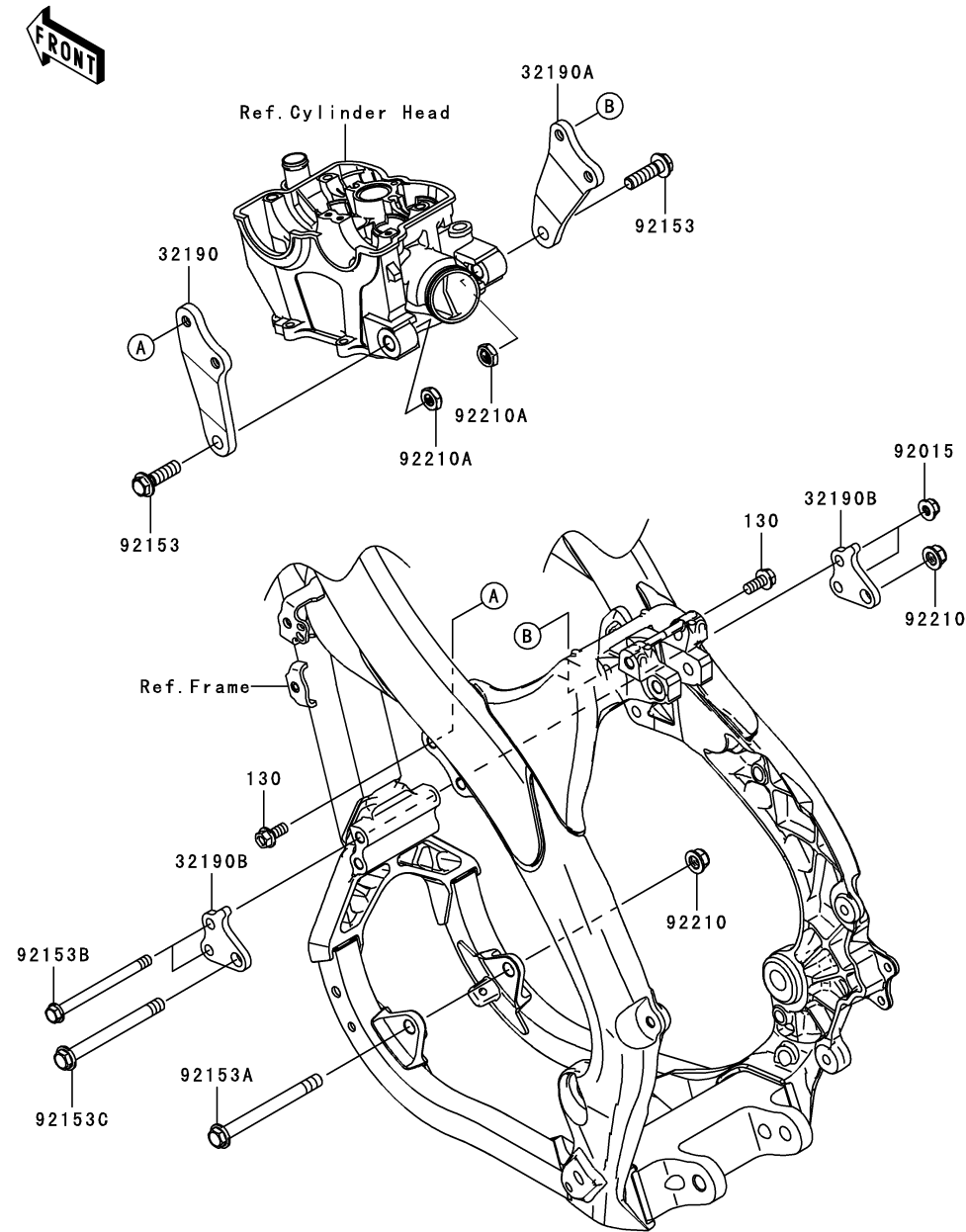
GRID NO.

**D-4**

This grid covers:

**Engine Mount**

F2122



Ref. No.	Part No.	Description	Spec Code	Quantity-KX250		
				'10		
	XAFB					
32190	32190-0391	BRACKET-ENGINE,UPP,LH		1		
32190A	32190-0392	BRACKET-ENGINE,UPP,RH		1		
32190B	32190-0431	BRACKET-ENGINE,FR		2		
92015	92015-1432	NUT,8MM		2		
92153	92153-0802	BOLT,FLANGED,10X35		2		
92153A	92153-1869	BOLT,FLANGED,10X128		1		
92153B	92153-1916	BOLT,FLANGED,8X102		2		
92153C	92153-1917	BOLT,FLANGED,10X104		1		
92210	92210-1080	NUT,LOCK,FLANGED,10MM		2		
92210A	92210-1184	NUT,LOCK,10MM		2		
130	130CA0818	BOLT-FLANGED,8X18		4		

This catalog covers:

'10 KX250XAFB Chassis

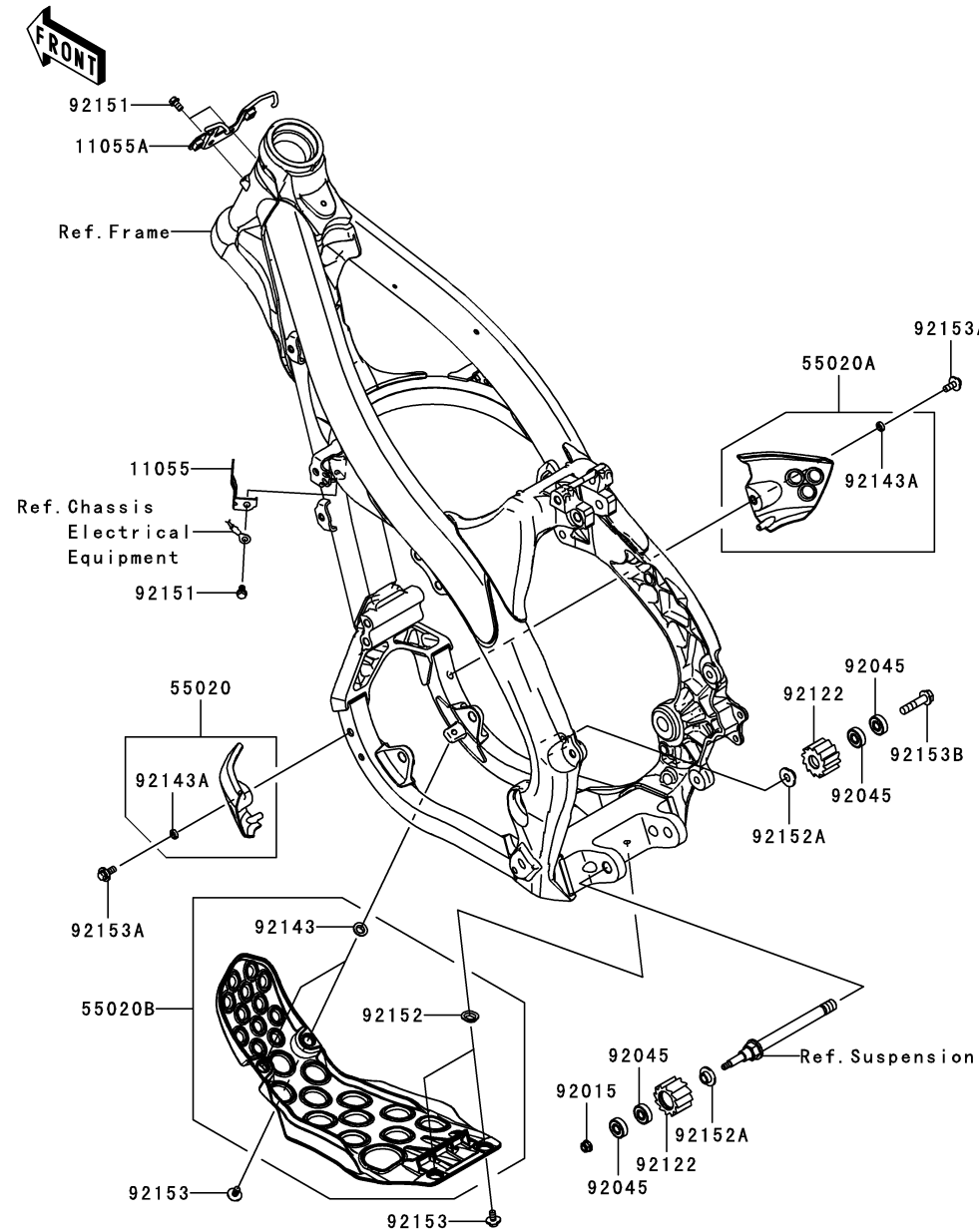
GRID NO.

**D-5**

This grid covers:

**Frame Fittings**

F2131



Ref. No.	Part No.	Description	Spec Code	Quantity-KX250			
				'10			
				XAFB			
11055	11055-0721	BRACKET					1
11055A	11055-1474	BRACKET,IGNITER					1
55020	55020-0435-6C	GUARD,ENGINE,SIDE,LH,EBONY					1
55020A	55020-0436-6C	GUARD,ENGINE,SIDE,RH,EBONY					1
55020B	55020-0443-6C	GUARD,ENGINE,LWR,EBONY					1
92015	92015-1339	NUT,LOCK,FLANGED,6MM					1
92045	92045-0060	BEARING-BALL,608LLU/2A					4
92122	92122-0016	ROLLER,CHAIN GUIDE					2
92143	92143-1196	COLLAR					2
92143A	92143-1307	COLLAR					2
92151	92151-1233	BOLT,FLANGED,6X10					3
92152	92152-0052	COLLAR					2
92152A	92152-0459	COLLAR					2
92153	92153-0503	BOLT,6X12					4
92153A	92153-0863	BOLT,6X16					2
92153B	92153-1652	BOLT,FLANGED,8X35					1

This catalog covers:

'10 KX250XAFB Chassis

GRID NO.

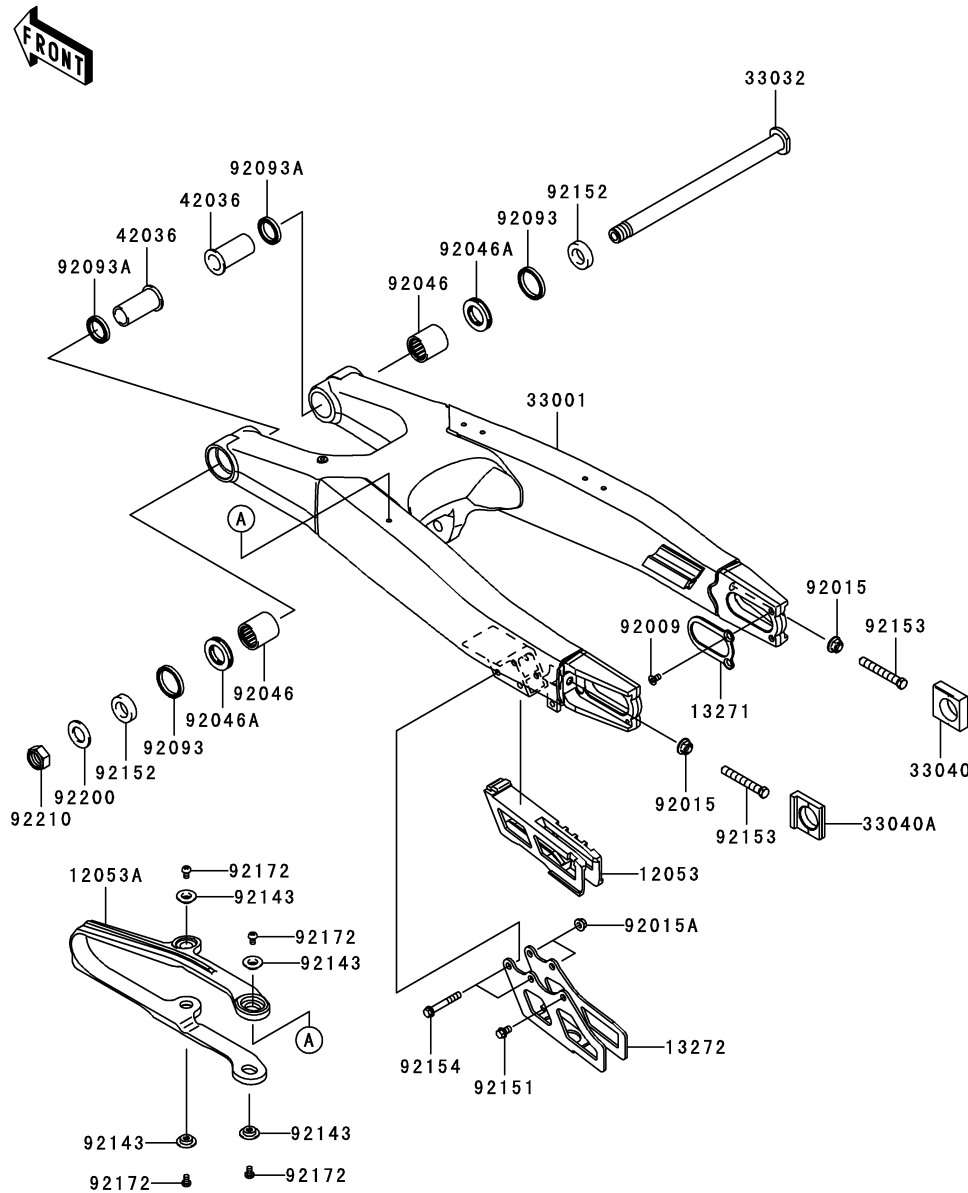
D-6

This grid covers:

Swingarm

F2141

Ref. No.	Part No.	Description	Spec Code	Quantity-KX250			
				'10	XAFB		
12053	12053-0125	GUIDE-CHAIN				1	
12053A	12053-0160	GUIDE-CHAIN,DRIVE,FR				1	
13271	13271-1833	PLATE,AXLE				2	
13272	13272-0384	PLATE,CHAIN GUIDE				1	
33001	33001-0196	ARM-COMP-SWING				1	
33032	33032-0012	SHAFT-SWING ARM				1	
33040	33040-0020	ADJUSTER-CHAIN,RH				1	
33040A	33040-1189	ADJUSTER-CHAIN,LH				1	
42036	42036-0019	SLEEVE,SWING ARM,L=47.5				2	
92009	92009-1828	SCREW,5X10				4	
92015	92015-1014	NUT,FLANGED,8MM				2	
92015A	92015-1078	NUT,FLANGED,6MM				2	
92046	92046-1174	BEARING-NEEDLE,TA2230Z				2	
92046A	92046-1240	BEARING-NEEDLE,NTBR22356E01				2	
92093	92093-1434	SEAL,SDO29X35X4.5				2	
92093A	92093-1435	SEAL,SDO22X29X5				2	
92143	92143-1676	COLLAR				4	
92151	92151-1233	BOLT,FLANGED,6X10				1	
92152	92152-0292	COLLAR,17.1X29X6				2	
92153	92153-0620	BOLT,8X56				2	
92154	92154-0130	BOLT,FLANGED,6X42				2	
92172	92172-0119	SCREW,5X8				4	
92200	92200-0285	WASHER,17.2X30X2.3				1	
92210	92210-0285	NUT,LOCK,16MM				1	



This catalog covers:

'10 KX250XAFB Chassis

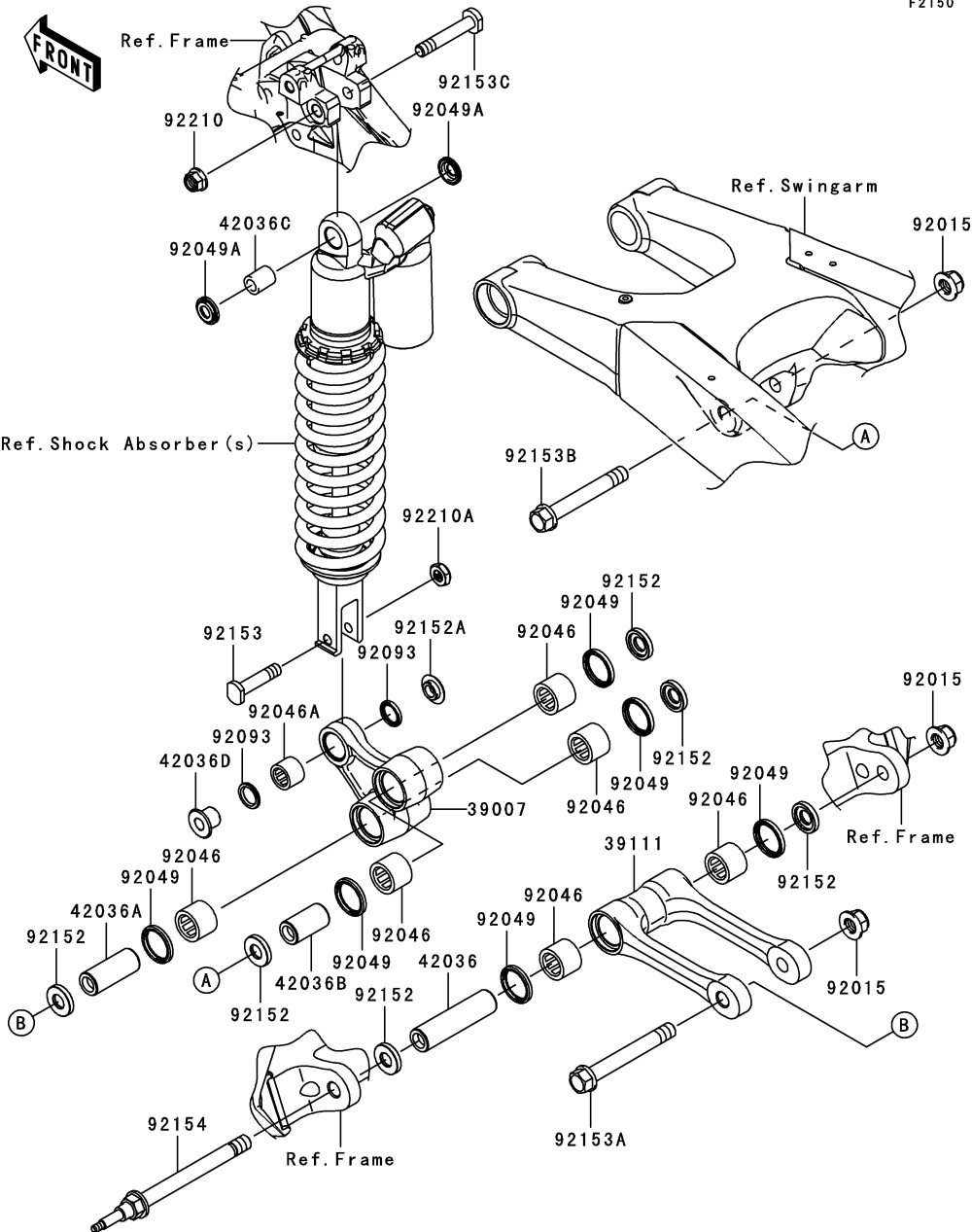
GRID NO.

**D-7**

This grid covers:

**Suspension**

F2150



Ref. No.	Part No.	Description	Spec Code	Quantity-KX250			
				'10			
				XAFB			
39007	39007-0158	ARM-SUSP,UNI TRAK					1
39111	39111-0071	ROD-TIE,SUSPENSION					1
42036	42036-0020	SLEEVE,ROD,L=78.4					1
42036A	42036-0021	SLEEVE,SUSPENSION ARM,L=49					1
42036B	42036-0022	SLEEVE,SUSPENSION ARM,L=37					1
42036C	42036-0030	SLEEVE,10X16X19.3					1
42036D	42036-1351	SLEEVE					1
92015	92015-1433	NUT,LOCK,FLANGED,12MM					3
92046	92046-1151	BEARING-NEEDLE,F-2016					6
92046A	92046-1301	BEARING-NEEDLE,7E-HVS16X22X12					1
92049	92049-0063	SEAL-OIL,SDO26X32X4					6
92049A	92049-0069	SEAL-OIL					2
92093	92093-1436	SEAL					2
92152	92152-0425	COLLAR					6
92152A	92152-1139	COLLAR					1
92153	92153-0937	BOLT,10X45					1
92153A	92153-0938	BOLT,FLANGED,12X95					1
92153B	92153-0939	BOLT,FLANGED,12X86					1
92153C	92153-1386	BOLT,10X58					1
92154	92154-0106	BOLT,12MM,L=122					1
92210	92210-1080	NUT,LOCK,FLANGED,10MM					1
92210A	92210-1184	NUT,LOCK,10MM					1

This catalog covers:

'10 KX250XAFB Chassis

GRID NO.

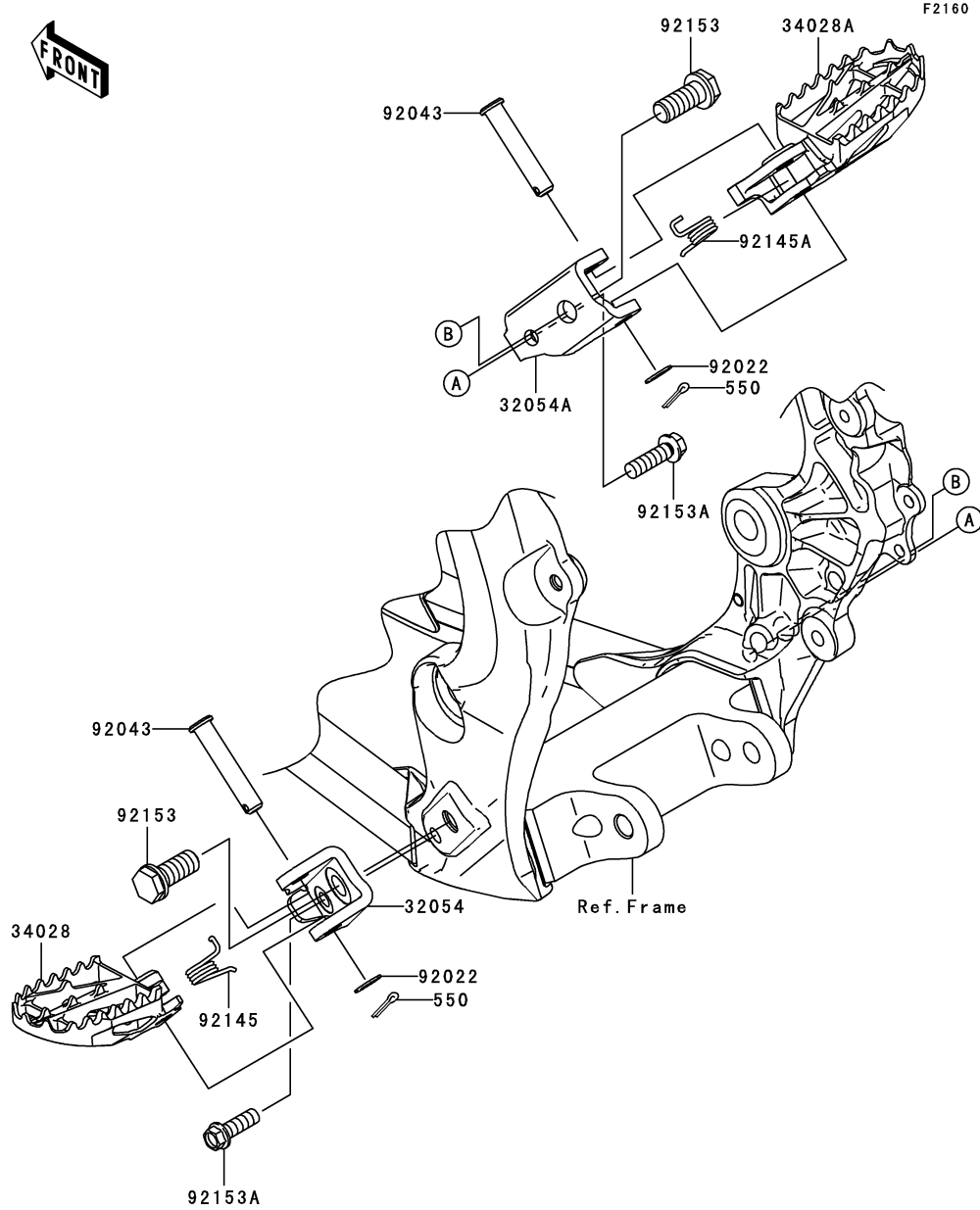
**D-8**

This grid covers:

**Footrests**



F2160



Ref. No.	Part No.	Description	Spec Code	Quantity-KX250	
				'10	XAFB
32054	32054-0049	BRACKET-STEP,LH		1	
32054A	32054-0050	BRACKET-STEP,RH		1	
34028	34028-0104	STEP,LH		1	
34028A	34028-0105	STEP,RH		1	
92022	92022-1829	WASHER,10.2X16X1		2	
92043	92043-0074	PIN,10X42.5		2	
92145	92145-0198	SPRING,STEP,LH		1	
92145A	92145-0199	SPRING,STEP,RH		1	
92153	92153-0653	BOLT,FLANGED,12X23		2	
92153A	92153-0838	BOLT,FLANGED,8X25		2	
550	550S3020	PIN-COTTER,3.0X20		2	

This catalog covers:

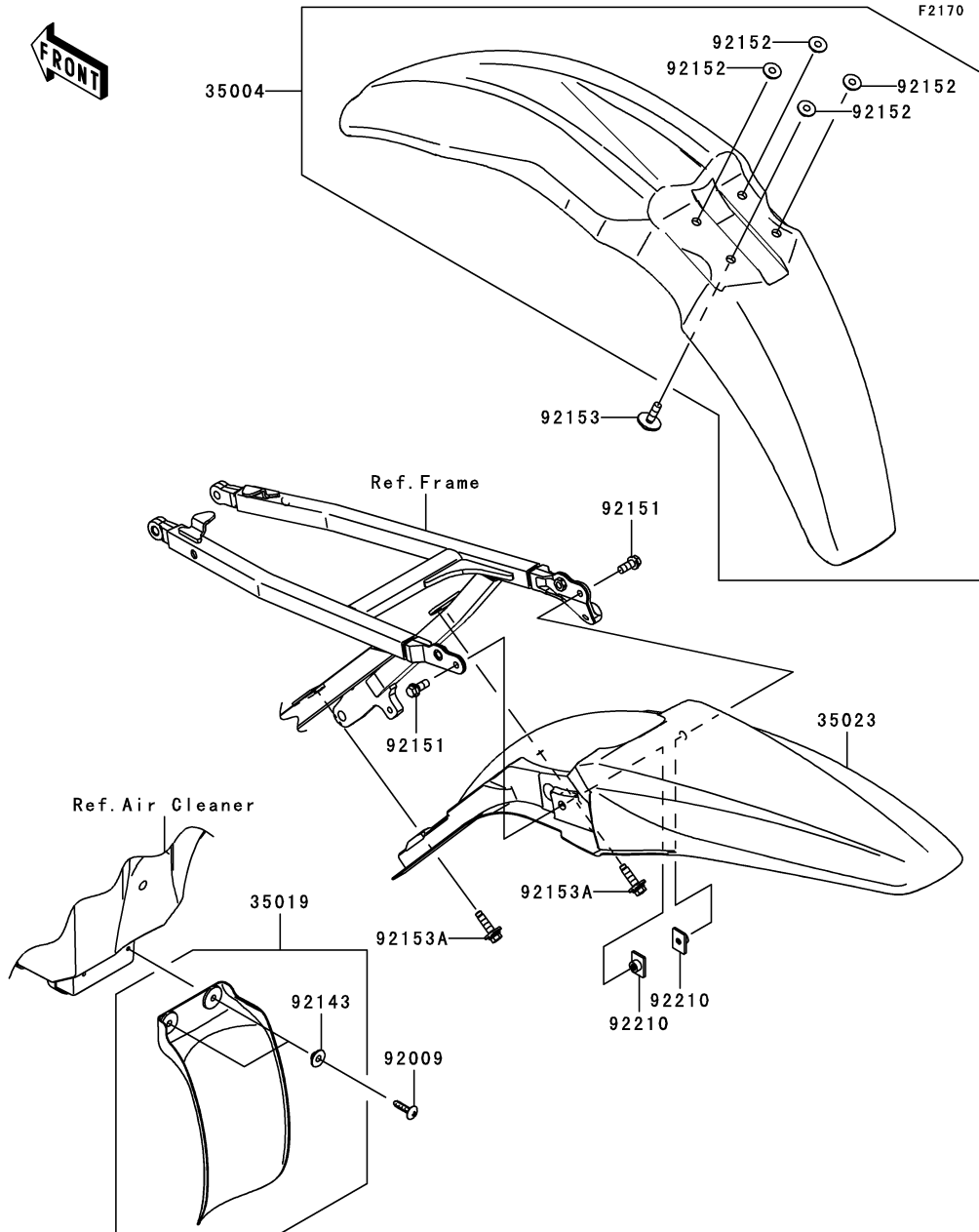
'10 KX250XAFB Chassis

GRID NO.

**D-9**

This grid covers:

**Fenders**



Ref. No.	Part No.	Description	Spec Code	Quantity-KX250	
				'10	XAFB
35004	35004-0139-290	FENDER-FRONT,L.GREEN		1	
35019	35019-0050	FLAP,AIR FILTER		1	
35023	35023-0180-290	FENDER-REAR,L.GREEN		1	
92009	92009-1993	SCREW,TAPPING,5X20		2	
92143	92143-1087	COLLAR		2	
92151	92151-1423	BOLT,6X14		2	
92152	92152-1422	COLLAR		4	
92153	92153-0864	BOLT,6X20		4	
92153A	92153-1852	BOLT,FLANGED,6X23		2	
92210	92210-1352	NUT,PLATE,6MM		2	

This catalog covers:

'10 KX250XAFB Chassis

GRID NO.

**D-10**

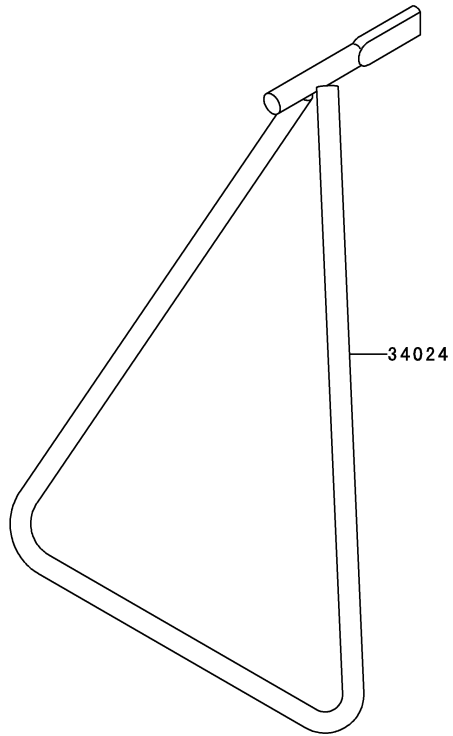
This grid covers:

**Stand(s)**



F2190

Ref. No.	Part No.	Description	Spec Code	Quantity-KX250			
				'10			
34024	34024-0074	STAND-SIDE				1	





This catalog covers:

'10 KX250XAFB Chassis

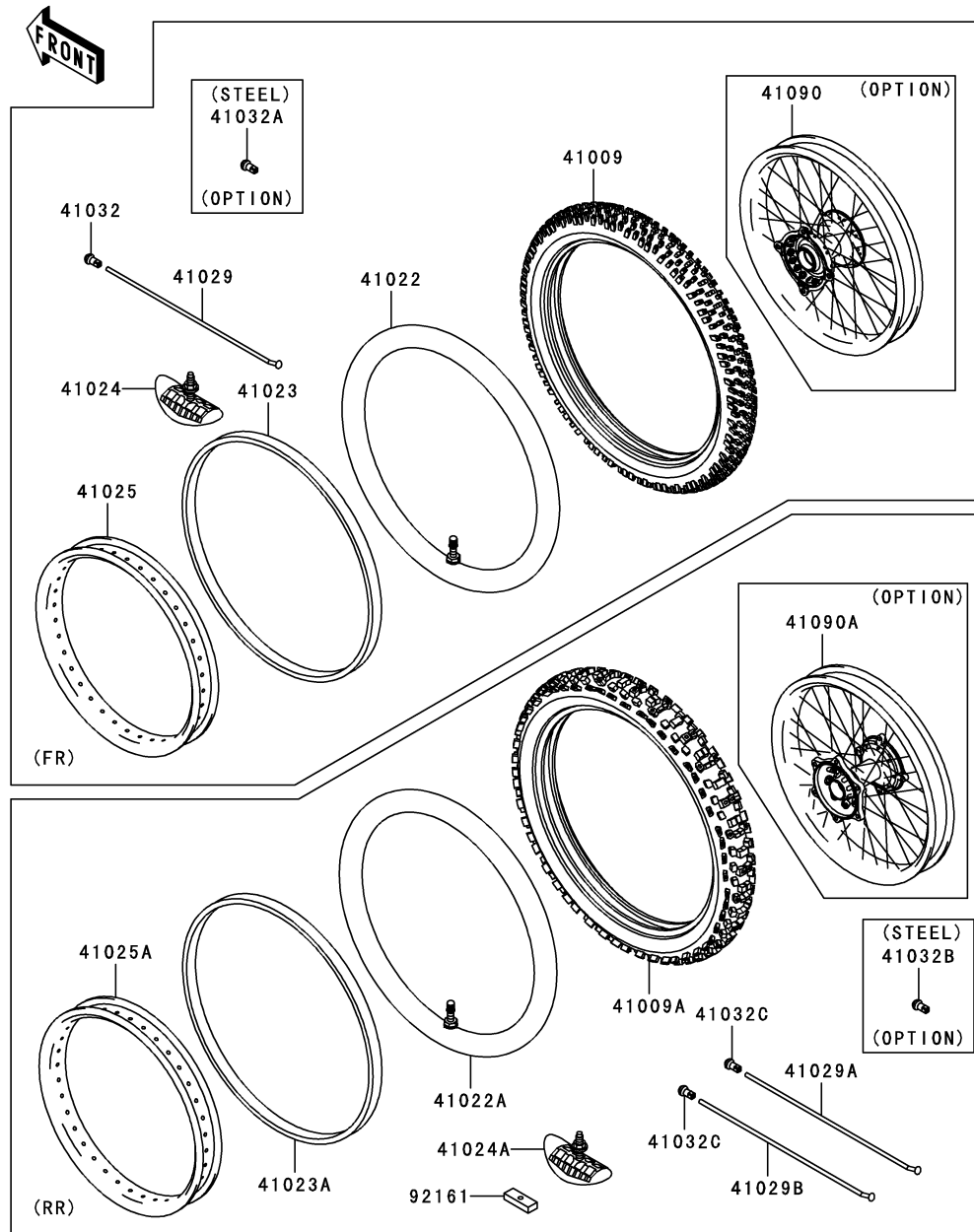
GRID NO.

**D-11**

This grid covers:

**Tires**

F2210



Ref. No.	Part No.	Description	Spec Code	Quantity-KX250			
				'10	XAFB		
41009	41009-0253	TIRE,FR,80/100-21 51M,M403(BS)				1	
41009A	41009-0254	TIRE,RR,100/90-19 57M,M404(BS)				1	
41022	41022-1107	TUBE-TIRE,MC90/90-21(BS)				1	
41022A	41022-1142	TUBE-TIRE,100/90-19(BS)				1	
41023	41023-1009	BAND-RIM,X-21(BS)				1	
41023A	41023-1081	BAND-RIM,110/90-19(BS)				1	
41024	41024-010	STOPPER-RIM,1.60-M(DUNLOP)				1	
41024A	41024-011	STOPPER-RIM,1.85-M(DUNLOP)				1	
41025	41025-0146-WC	RIM,FR,1.60X21,BLACK				1	
41025A	41025-0147-WC	RIM,RR,1.85X19,BLACK				1	
41029	41029-0003	SPOKE-INNER,FR				36	
41029A	41029-1204	SPOKE-INNER,RR,202MMX160D				27	
41029B	41029-1330	SPOKE-INNER,RR,204MMX159D				9	
41032	41032-0002	NIPPLE-SPOKE,ALUMINIUM				36	
41032A	41032-1077 (OPTION)	NIPPLE-SPOKE,8X9X20(+)				36	
41032B	41032-1085 (OPTION)	NIPPLE-SPOKE,STEEL				36	
41032C	41032-1086	NIPPLE-SPOKE,ALUMINIUM				36	
41090	41090-0114-WC (OPTION)	WHEEL,FR,1.60X21,AL NIPPLE,BLK				1	
41090A	41090-0115-WC (OPTION)	WHEEL,RR,1.85X19,AL NIPPLE,BLK				1	
92161	92161-1184	DAMPER,RIM STOPPER				1	

This catalog covers:

'10 KX250XAFB Chassis

GRID NO.

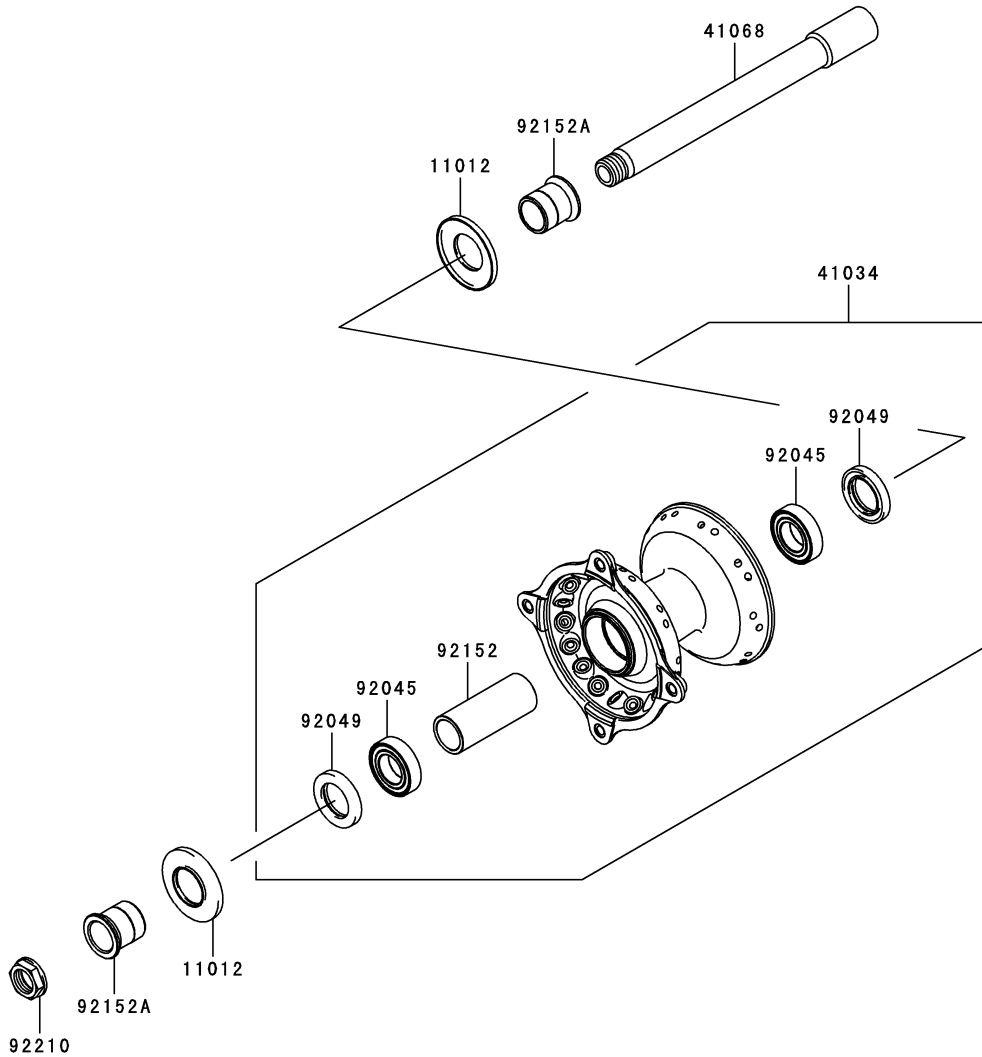
**D-12**

This grid covers:

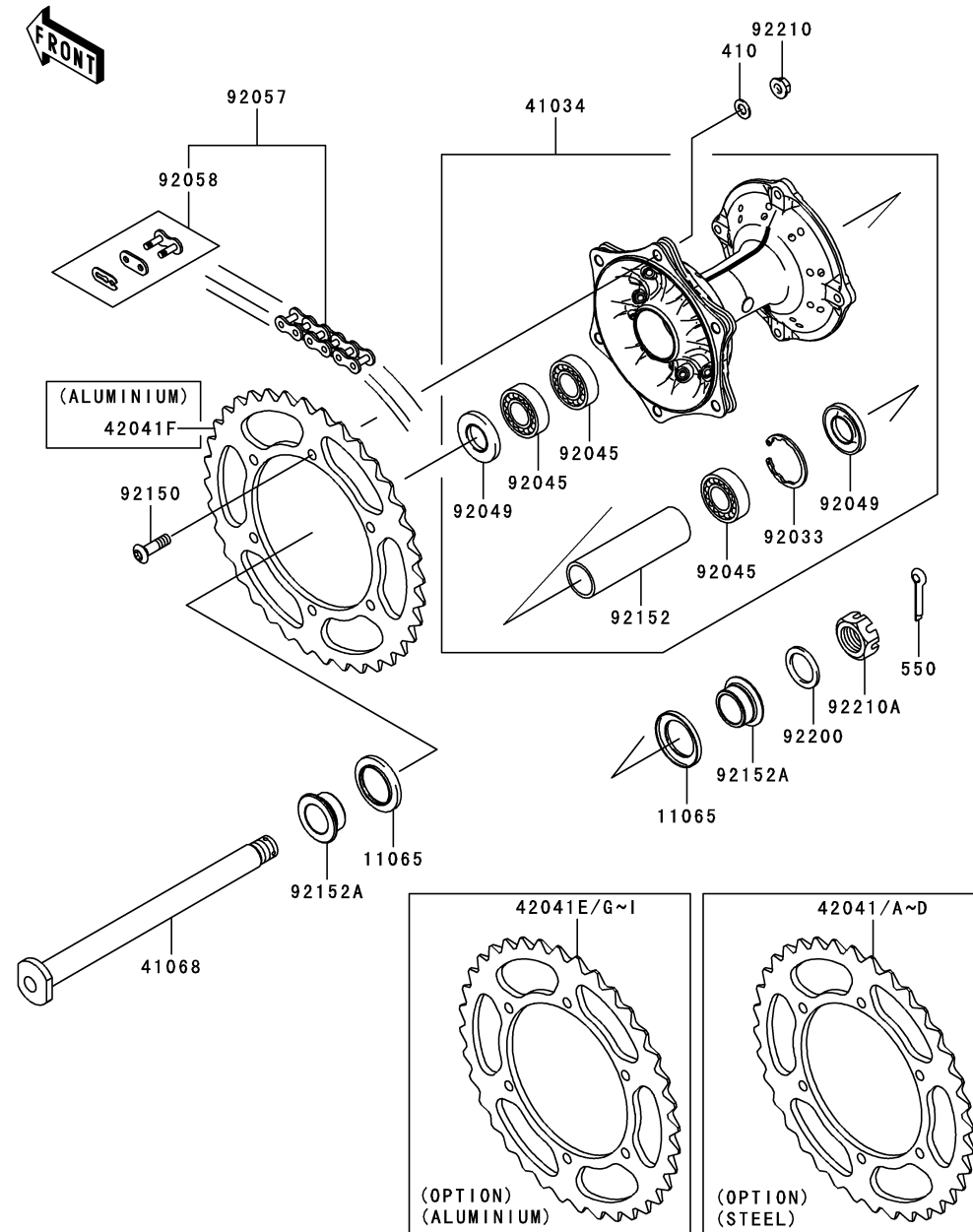
**Front Hub**

F2230

Ref. No.	Part No.	Description	Spec Code	Quantity-KX250			
				'10			
				XAFB			
11012	11012-1581	CAP,AXLE					2
41034	41034-0034	DRUM-ASSY,FRONT BRAKE					1
41068	41068-0004	AXLE,FR					1
92045	92045-1284	BEARING-BALL,69042RS					2
92049	92049-1403	SEAL-OIL,BJNC-2 25X37X5					2
92152	92152-0028	COLLAR,FRONT BRAKE DRUM,L=65					1
92152A	92152-0324	COLLAR,FR AXLE,L=27.5					2
92210	92210-0065	NUT,18MM					1



F2240



Ref. No.	Part No.	Description	Spec Code	Quantity-KX250			
				'10	XAFB		
11065	11065-1253	CAP,AXLE					2
41034	41034-0057	DRUM-ASSY,REAR BRAKE					1
41068	41068-1466	AXLE,RR					1
42041	42041-1381	SPROCKET-HUB,46T					1
	(OPTION)						
42041A	42041-1382	SPROCKET-HUB,47T					1
	(OPTION)						
42041B	42041-1383	SPROCKET-HUB,48T					1
	(OPTION)						
42041C	42041-1384	SPROCKET-HUB,49T					1
	(OPTION)						
42041D	42041-1408	SPROCKET-HUB,50T					1
	(OPTION)						
42041E	42041-1447	SPROCKET-HUB,47T,AL					1
	(OPTION)						
42041F	42041-1448	SPROCKET-HUB,48T,AL					1
42041G	42041-1449	SPROCKET-HUB,49T,AL					1
	(OPTION)						
42041H	42041-1450	SPROCKET-HUB,50T,AL					1
	(OPTION)						
42041I	42041-1501	SPROCKET-HUB,46T,AL					1
	(OPTION)						
92033	92033-1041	RING-SNAP,42MM					1
92045	92045-1446	BEARING-BALL,69052RS					3
92049	92049-1614	SEAL-OIL					2
92057	92057-0191	CHAIN,DRIVE,DID520DMA4X112L					1
92058	92058-1074	JOINT-CHAIN,DRIVE					1
92150	92150-1978	BOLT,SOCKET,8X28					6
92152	92152-1427	COLLAR,REAR BRAKE DRUM,L=106.5					1
92152A	92152-1473	COLLAR,RR AXLE,L=17					2
92200	92200-1623	WASHER,22.5X35X2.3					1
92210	92210-0159	NUT,FLANGED,LOCK,8MM					6
92210A	92210-1411	NUT,CASTLE,22MM					1
410	410AA0800	WASHER-PLAIN-SMALL,8MM					6
550	550AA3035	PIN-COTTER,3.0X35					1

This catalog covers:

'10 KX250XAFB Chassis

GRID NO.

**D-14**

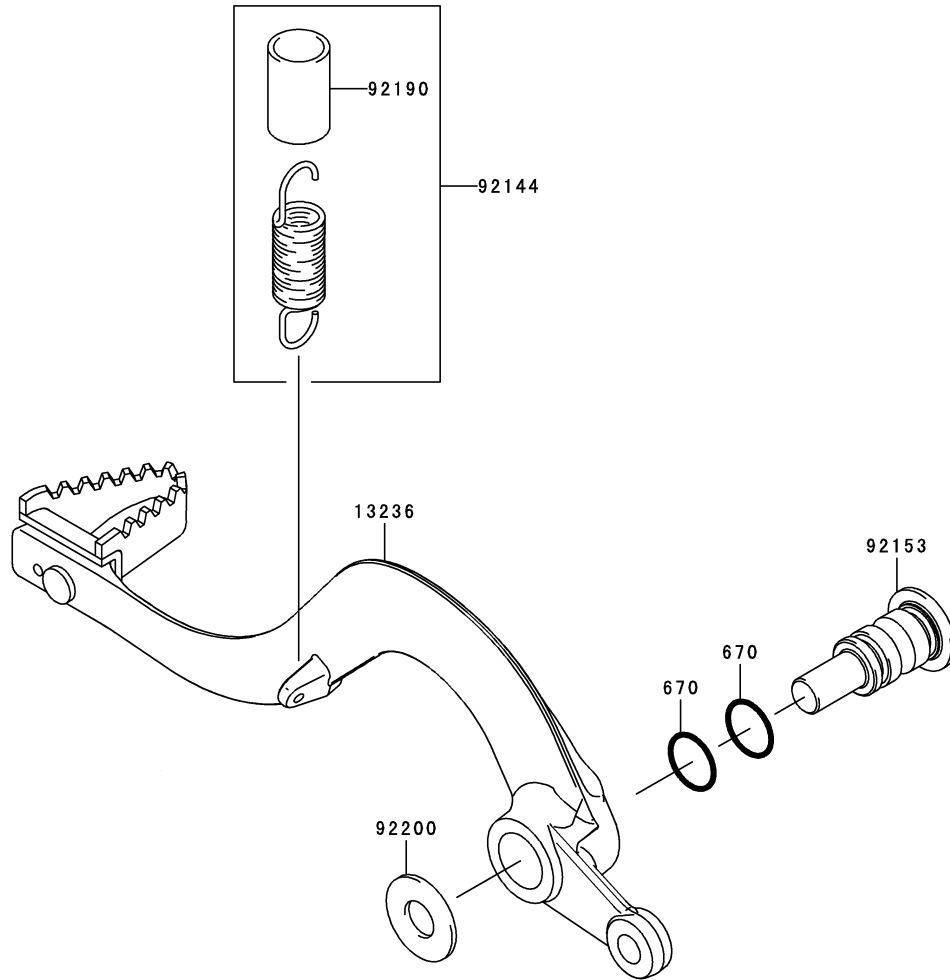
This grid covers:

**Brake Pedal**

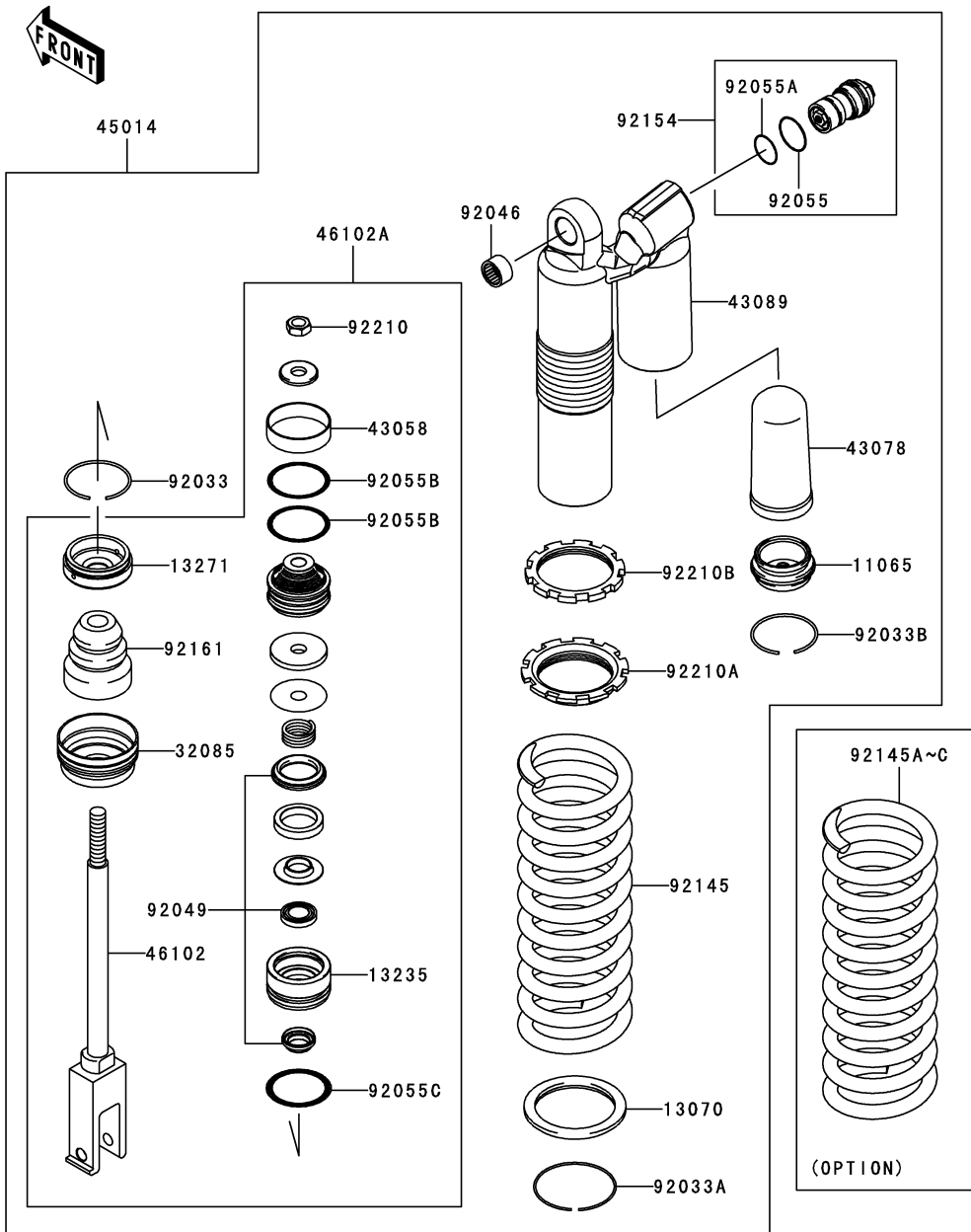
F2260

Ref. No.	Part No.	Description	Spec Code	Quantity-KX250			
				'10			
				XAFB			

13236	13236-0097	LEVER-COMP,BRAKE PEDAL		1
92144	92144-1752	SPRING,BRAKE PEDAL RETURN		1
92153	92153-0974	BOLT,BRAKE PEDAL,10MM		1
92190	92190-1488	TUBE,13X16X25		1
92200	92200-0154	WASHER,10.5X24X1.5		1
670	670B2012	O RING,12MM		2



F2280



Ref. No.	Part No.	Description	Spec Code	Quantity-KX250			
				'10			
				XAFB			
11065	11065-0340	CAP,CHAMBER					1
13070	13070-0057	GUIDE,SPRING SEAT					1
13235	13235-0003	GUIDE-COMP,ROD					1
13271	13271-0858	PLATE,END					1
32085	32085-0077	STOPPER,SPRING SEAT					1
43058	43058-0012	RING,PISTON					1
43078	43078-0030	RESERVOIR					1
43089	43089-0026	CYLINDER-SHOCKABSORBER					1
45014	45014-0304-10	SHOCKABSORBER,BLACK					1
46102	46102-0088	ROD					1
46102A	46102-0152	ROD					1
92033	92033-0040	RING-SNAP					1
92033A	92033-0042	RING-SNAP					1
92033B	92033-0076	RING-SNAP					1
92046	92046-1301	BEARING-NEEDLE,7E-HVS16X22X12					1
92049	92049-0151	SEAL-OIL					1
92055	92055-0098	RING-O,PLUG BOLT					1
92055A	92055-0099	RING-O,PLUG BOLT					1
92055B	92055-0100	RING-O					2
92055C	92055-0101	RING-O					1
92145	92145-0463-10	SPRING,REAR SHOCK,K=51NMM,BLK					1
92145A	92145-0464-10 (OPTION)	SPRING,REAR SHOCK,K=47N/MM,BLK					1
92145B	92145-0465-10 (OPTION)	SPRING,REAR SHOCK,K=49N/MM,BLK					1
92145C	92145-0466-10 (OPTION)	SPRING,REAR SHOCK,K=53N/MM,BLK					1
92154	92154-0219	BOLT,PLUG					1
92161	92161-0329	DAMPER,STOPPER					1
92210	92210-0270	NUT,PISTON					1
92210A	92210-0271	NUT,SPRING ADJUSTER					1
92210B	92210-0272	NUT,SPRING ADJUST NUT					1

This catalog covers:

'10 KX250XAFB Chassis

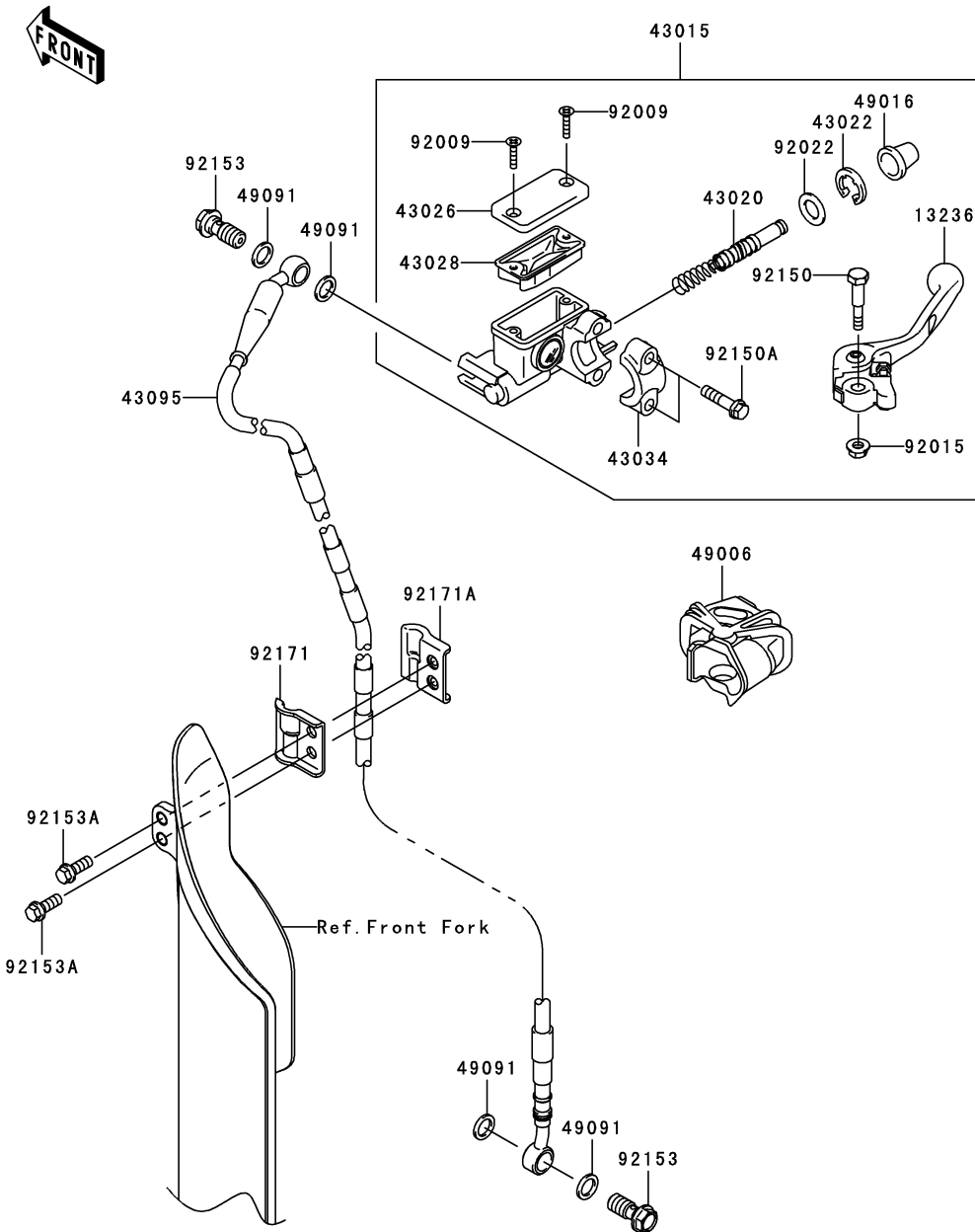
GRID NO.

**E-4**

This grid covers:

Front Master Cylinder

F2291



Ref. No.	Part No.	Description	Spec Code	Quantity-KX250			
				'10			
				XAFB			
13236	13236-1346	LEVER-COMP,FRONT BRAKE					1
43015	43015-0145	CYLINDER-ASSY-MASTER,FR					1
43020	43020-1123	PISTON-COMP-BRAKE					1
43022	43022-1010	STOPPER-BRAKE,PISTON					1
43026	43026-0020	CAP-BRAKE,MASTER CYLINDER					1
43028	43028-1067	DIAPHRAGM					1
43034	43034-1110	HOLDER-BRAKE					1
43095	43095-0286	HOSE-BRAKE,FR					1
49006	49006-0078	BOOT,FRONT BRAKE LEVER					1
49016	49016-1044	COVER-SEAL,MASTER CYLINDER					1
49091	49091-0001	WASHER-SEAL,10.1X14.5X1.5					4
92009	92009-1458	SCREW,4MM					2
92015	92015-1528	NUT,FLANGED,6MM					1
92022	92022-1814	WASHER					1
92150	92150-1451	BOLT,LEVER SET					1
92150A	92150-1452	BOLT					2
92153	92153-0627	BOLT,OIL,L=23					2
92153A	92153-0695	BOLT,6X16					2
92171	92171-0481	CLAMP,BRAKE HOSE,LH					1
92171A	92171-0482	CLAMP,BRAKE HOSE,RH					1

This catalog covers:

'10 KX250XAFB Chassis

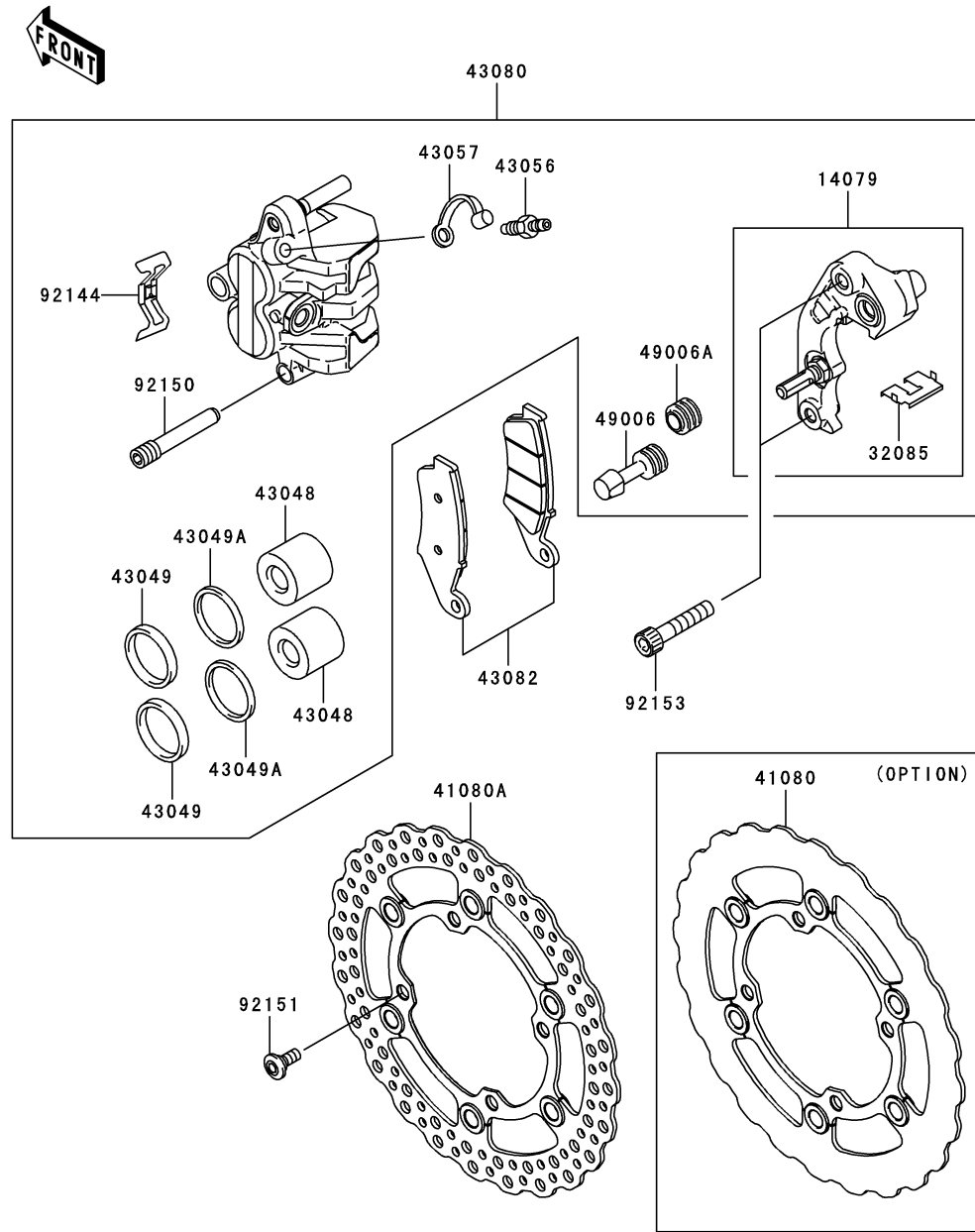
GRID NO.

**E-5**

This grid covers:

**Front Brake**

F2292



Ref. No.	Part No.	Description	Spec Code	Quantity-KX250			
				'10			
				XAFB			
14079	14079-0043	HOLDER-ASSY,FRONT CALIPER					1
32085	32085-1361	STOPPER,PAD					1
41080	41080-0082	DISC,FR					1
	(OPTION)						
41080A	41080-0090	DISC,FR					1
43048	43048-1093	PISTON-CALIPER					2
43049	43049-1060	PACKING,PISTON SEAL					2
43049A	43049-1061	PACKING,PISTON SEAL					2
43056	43056-1055	BREATHER					1
43057	43057-1001	CAP-BREATHER					1
43080	43080-0081	CALIPER-SUB-ASSY,FR					1
43082	43082-0049	PAD-ASSY-BRAKE					1
49006	49006-1088	BOOT,CALIPER					1
49006A	49006-1242	BOOT,CALIPER					1
92144	92144-1721	SPRING,PAD					1
92150	92150-1691	BOLT,HANGER					1
92151	92151-1799	BOLT,DISC PLATE,6MM					4
92153	92153-0517	BOLT,SOCKET,8X40					2

This catalog covers:

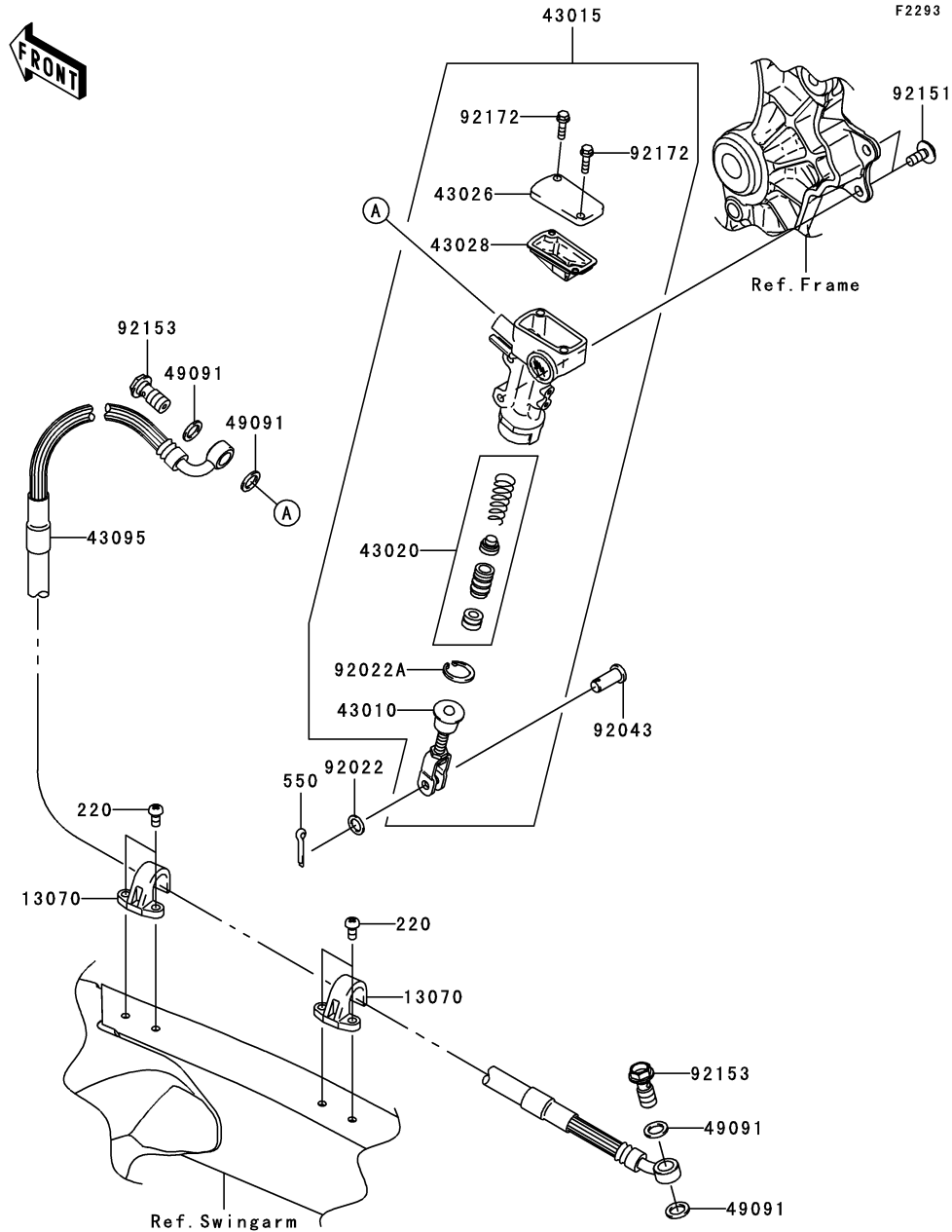
'10 KX250XAFB Chassis

GRID NO.

**E-6**

This grid covers:

Rear Master Cylinder



Ref. No.	Part No.	Description	Spec Code	Quantity-KX250	
				'10	XAFB
13070	13070-0048	GUIDE,BRAKE HOSE		2	
43010	43010-1087	ROD-ASSY-BRAKE		1	
43015	43015-0142	CYLINDER-ASSY-MASTER,RR		1	
43020	43020-1094	PISTON-COMP-BRAKE		1	
43026	43026-0008	CAP-BRAKE		1	
43028	43028-1092	DIAPHRAGM		1	
43095	43095-0449	HOSE-BRAKE,RR		1	
49091	49091-0001	WASHER-SEAL,10.1X14.5X1.5		4	
92022	92022-1028	WASHER,8.5X13X1		1	
92022A	92022-1601	WASHER,CIRCRIP		1	
92043	92043-0004	PIN		1	
92151	92151-1654	BOLT,SOCKET,6X14		2	
92153	92153-0627	BOLT,OIL,L=23		2	
92172	92172-1064	SCREW		2	
220	220AA0510	SCREW-PAN-CROSS,5X10		4	
550	550AA2015	PIN-COTTER,2.0X15		1	



This catalog covers:

'10 KX250XAFB Chassis

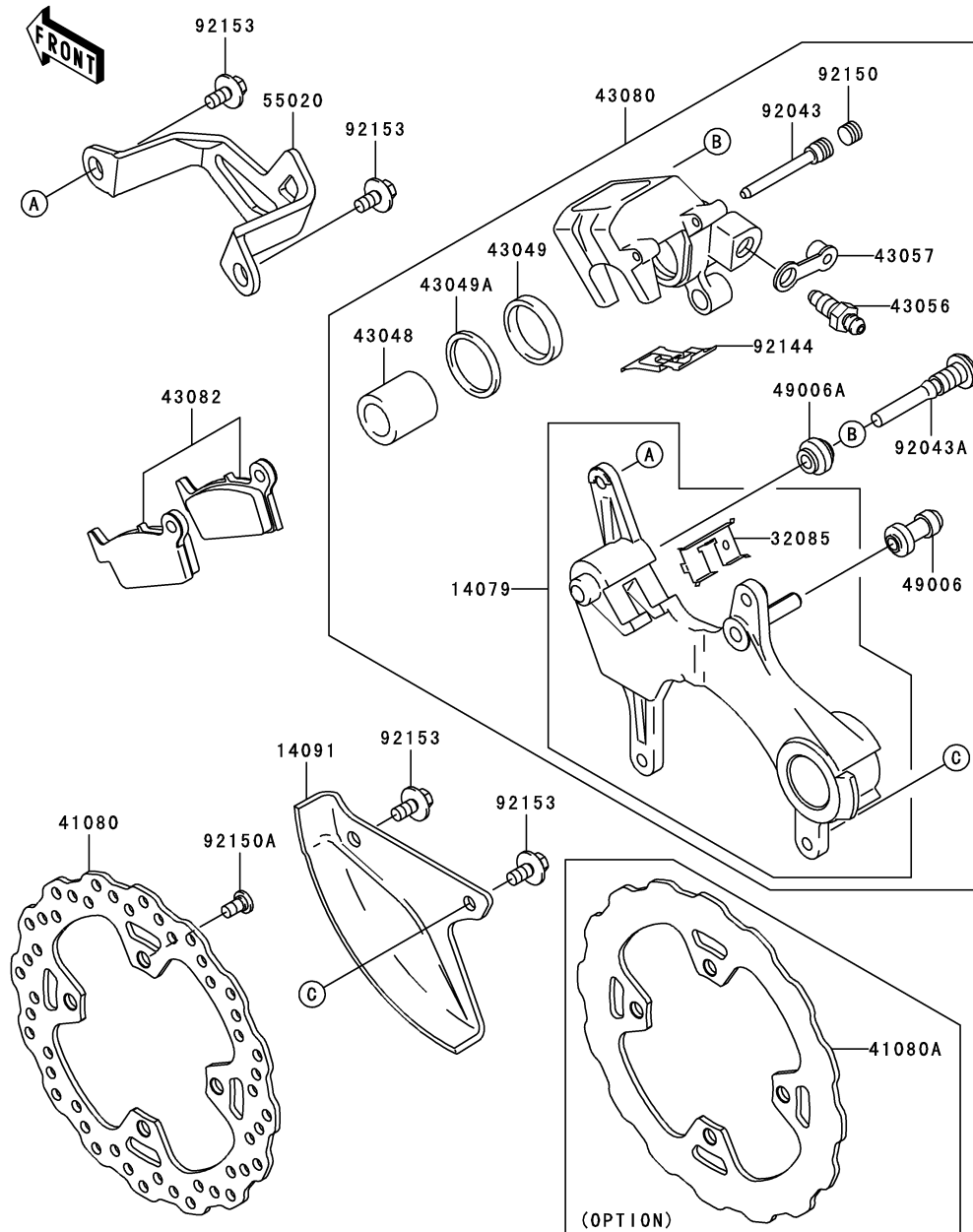
GRID NO.

**E-7**

This grid covers:

**Rear Brake**

F2294

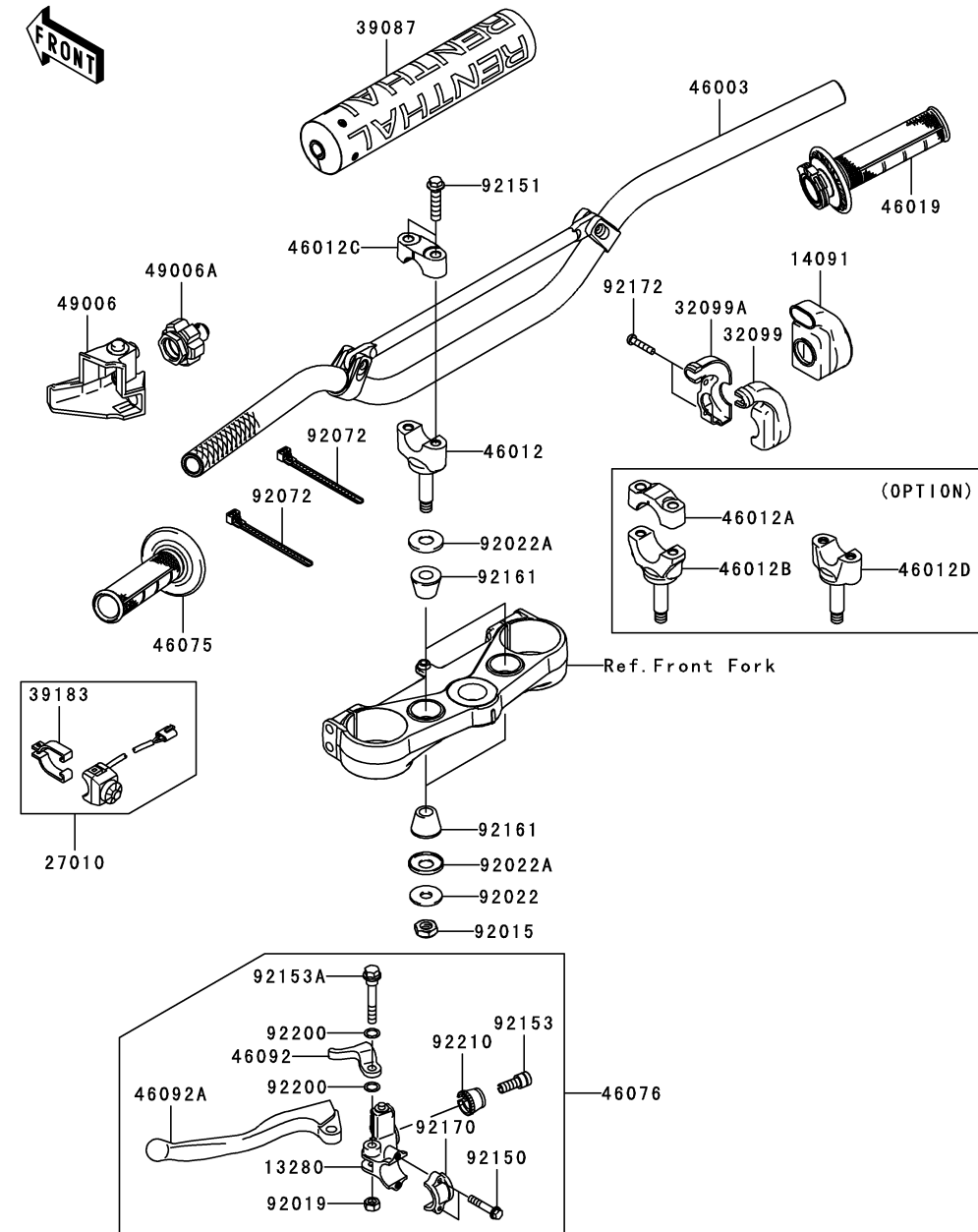


Ref. No.	Part No.	Description	Spec Code	Quantity-KX250			
				'10			
				XAFB			
14079	14079-0022	HOLDER-ASSY,REAR CALIPER					1
14091	14091-1523-6C	COVER,REAR DISC,EBONY					1
32085	32085-1386	STOPPER,PAD					1
41080	41080-0076	DISC,RR					1
41080A	41080-0094	DISC,RR (OPTION)					1
43048	43048-1066	PISTON-CALIPER					1
43049	43049-1063	PACKING					1
43049A	43049-1064	PACKING					1
43056	43056-1055	BREATHER					1
43057	43057-1001	CAP-BREATHER					1
43080	43080-0037	CALIPER-SUB-ASSY,RR					1
43082	43082-0107	PAD-ASSY-BRAKE					1
49006	49006-1088	BOOT,CALIPER					1
49006A	49006-1242	BOOT,CALIPER					1
55020	55020-0458-6C	GUARD,REAR CALIPER,EBONY					1
92043	92043-1507	PIN,HANGER					1
92043A	92043-1508	PIN					1
92144	92144-1819	SPRING,PAD					1
92150	92150-1692	BOLT,PLUG					1
92150A	92150-1811	BOLT,DISC PLATE,8X15					4
92153	92153-0936	BOLT,FLANGED,6X14					4

This catalog covers:  
**'10 KX250XAFB Chassis**

GRID NO. **E-8** This grid covers:  
**Handlebar**

F2310



Ref. No.	Part No.	Description	Spec Code	Quantity-KX250			
				'10	XAFB		
13280	13280-0184	HOLDER,CLUTCH LEVER				1	
14091	14091-0182	COVER,THROTTLE CASE				1	
27010	27010-0047	SWITCH,ENGINE STOP				1	
32099	32099-0002	CASE,THROTTLE,RR				1	
32099A	32099-0003	CASE,THROTTLE,FR				1	
39087	39087-0005	PAD-HANDLE				1	
39183	39183-1059	BAND-ASSY,ENGINE STOP SWITCH				1	
46003	46003-0077	HANDLE				1	
46012	46012-0013-21	HOLDER-HANDLE,LWR,F,BLACK				2	
46012A	46012-0020-21 (OPTION)	HOLDER-HANDLE,UPP,FAT BAR,BLK				2	
46012B	46012-0021-21 (OPTION)	HOLDER-HANDLE,LWR,FAT BAR,BLK				2	
46012C	46012-0023-21	HOLDER-HANDLE,UPP,F,BLACK				2	
46012D	46012-0048-21 (OPTION)	HOLDER-HANDLE,LWR,F,BLACK				2	
46019	46019-0018	GRIP-ASSY,THROTTLE				1	
46075	46075-0044	GRIP,LH				1	
46076	46076-0034	LEVER-ASSY-GRIP,CLUTCH&STARTER				1	
46092	46092-0001	LEVER-GRIP,STARTER				1	
46092A	46092-0007	LEVER-GRIP,CLUTCH				1	
49006	49006-0033	BOOT,CLUTCH LEVER				1	
49006A	49006-0060	BOOT,CLUTCH CABLE				1	
92015	92015-1962	NUT,LOCK,10MM				2	
92019	92019-008	NUT,LOCK,6MM				1	
92022	92022-1088	WASHER,10.2X28X2				2	
92022A	92022-1737	WASHER				4	
92072	92072-0055	BAND,L=100				2	
92150	92150-1474	BOLT				2	
92151	92151-1537	BOLT,FLANGED,8X35				4	
92153	92153-0773	BOLT,BOLT ADJUSTING				1	
92153A	92153-1506	BOLT,6MM				1	
92161	92161-0113	DAMPER,HANDLE HOLDER				4	
92170	92170-1226	CLAMP,LEVER HOLDER				1	
92172	92172-0069	SCREW,5X20				2	
92200	92200-0300	WASHER				2	
92210	92210-0167	NUT,BOLT WIRE ADJUSTING				1	

This catalog covers:

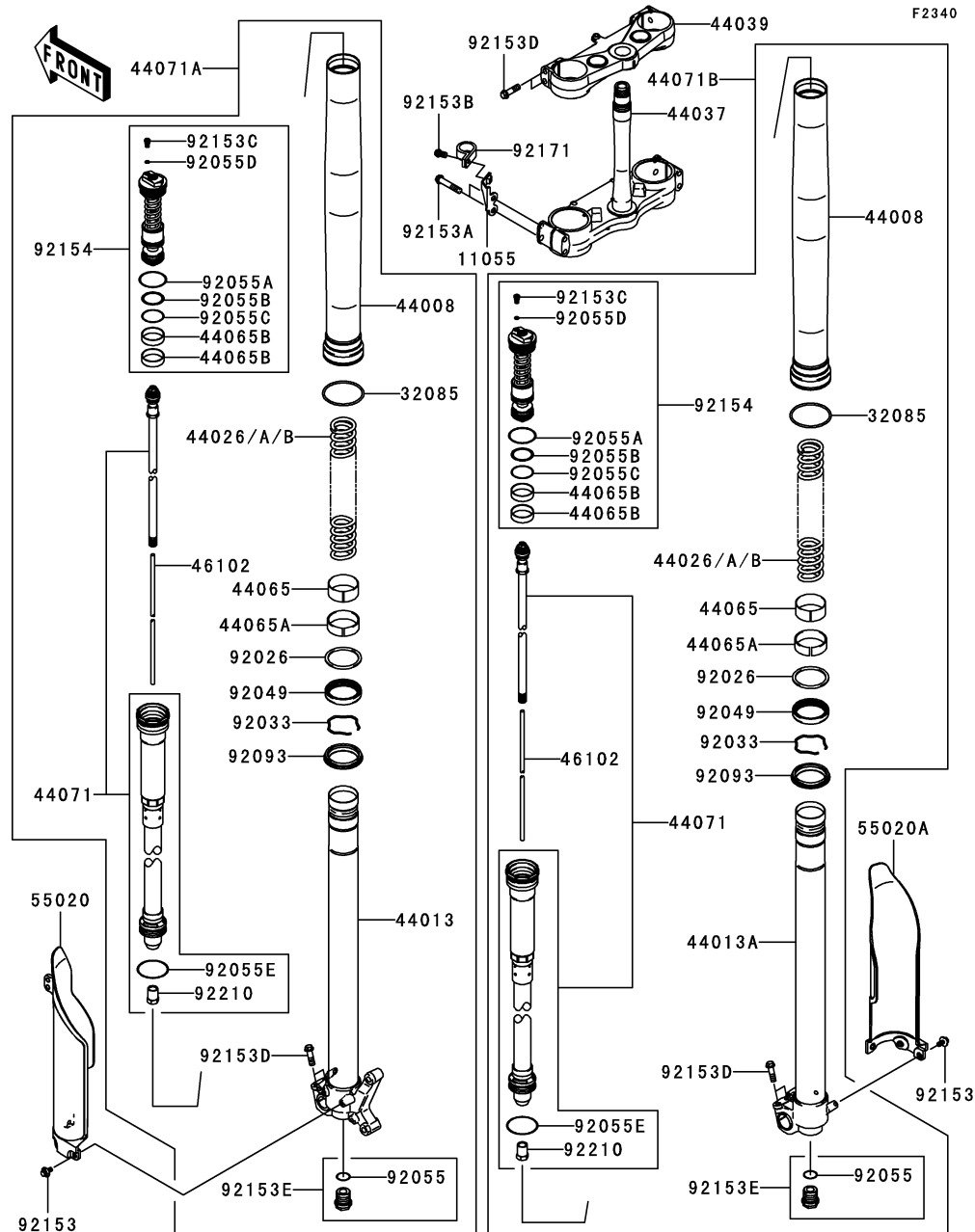
'10 KX250XAFB Chassis

GRID NO.

**E-9**

This grid covers:

**Front Fork**



Ref. No.	Part No.	Description	Spec Code	Quantity-KX250	
				'10	XAFB
11055	11055-1405	BRACKET,BRAKE HOSE		1	
32085	32085-0073	STOPPER,RING		2	
44008	44008-0047	PIPE-FORK OUTER		2	
44013	44013-0147	PIPE-FORK INNER,LH		1	
44013A	44013-0148	PIPE-FORK INNER,RH		1	
44026	44026-0075	SPRING-FRONT FORK,K=4.2N/MM		2	
	(OPTION)				
44026A	44026-0076	SPRING-FRONT FORK,K=4.4N/MM		2	
44026B	44026-0077	SPRING-FRONT FORK,K=4.6N/MM		2	
	(OPTION)				
44037	44037-0108-21	HOLDER-FORK UNDER,F.BLACK		1	
44039	44039-0079-21	HOLDER-FORK UPPER,F.BLACK		1	
44065	44065-0027	BUSHING-FRONT FORK,SLIDE		2	
44065A	44065-0028	BUSHING-FRONT FORK,GUIDE		2	
44065B	44065-0029	BUSHING-FRONT FORK,SLIDE		4	
44071	44071-0688	DAMPER-ASSY,FORK		2	
44071A	44071-0691	DAMPER-ASSY,FORK,LH		1	
44071B	44071-0692	DAMPER-ASSY,FORK,RH		1	
46102	46102-0107	ROD,PUSH		2	
55020	55020-0441-6C	GUARD,FORK,LH,EBONY		1	
55020A	55020-0442-6C	GUARD,FORK,RH,EBONY		1	
92026	92026-0144	SPACER,SEAL		2	
92033	92033-0039	RING-SNAP		2	
92049	92049-0074	SEAL-OIL		2	
92055	92055-0090	RING-O,CENTER BOLT		2	
92055A	92055-0091	RING-O		2	
92055B	92055-0092	RING-O		2	
92055C	92055-0093	RING-O		2	
92055D	92055-0094	RING-O		2	
92055E	92055-0095	RING-O		2	
92093	92093-0059	SEAL,DUST		2	
92153	92153-0936	BOLT,FLANGED,6X14		6	
92153A	92153-0990	BOLT,FLANGED,8X45		4	
92153B	92153-1397	BOLT,FLANGED		1	
92153C	92153-1398	BOLT,PLUG		2	
92153D	92153-1399	BOLT,FLANGED,8X40		8	
92153E	92153-1778	BOLT,CENTER		2	
92154	92154-0371	BOLT,FORK		2	
92171	92171-0506	CLAMP,BRAKE HOSE		1	
92210	92210-0430	NUT,LOCK		2	

This catalog covers:

'10 KX250XAFB Chassis

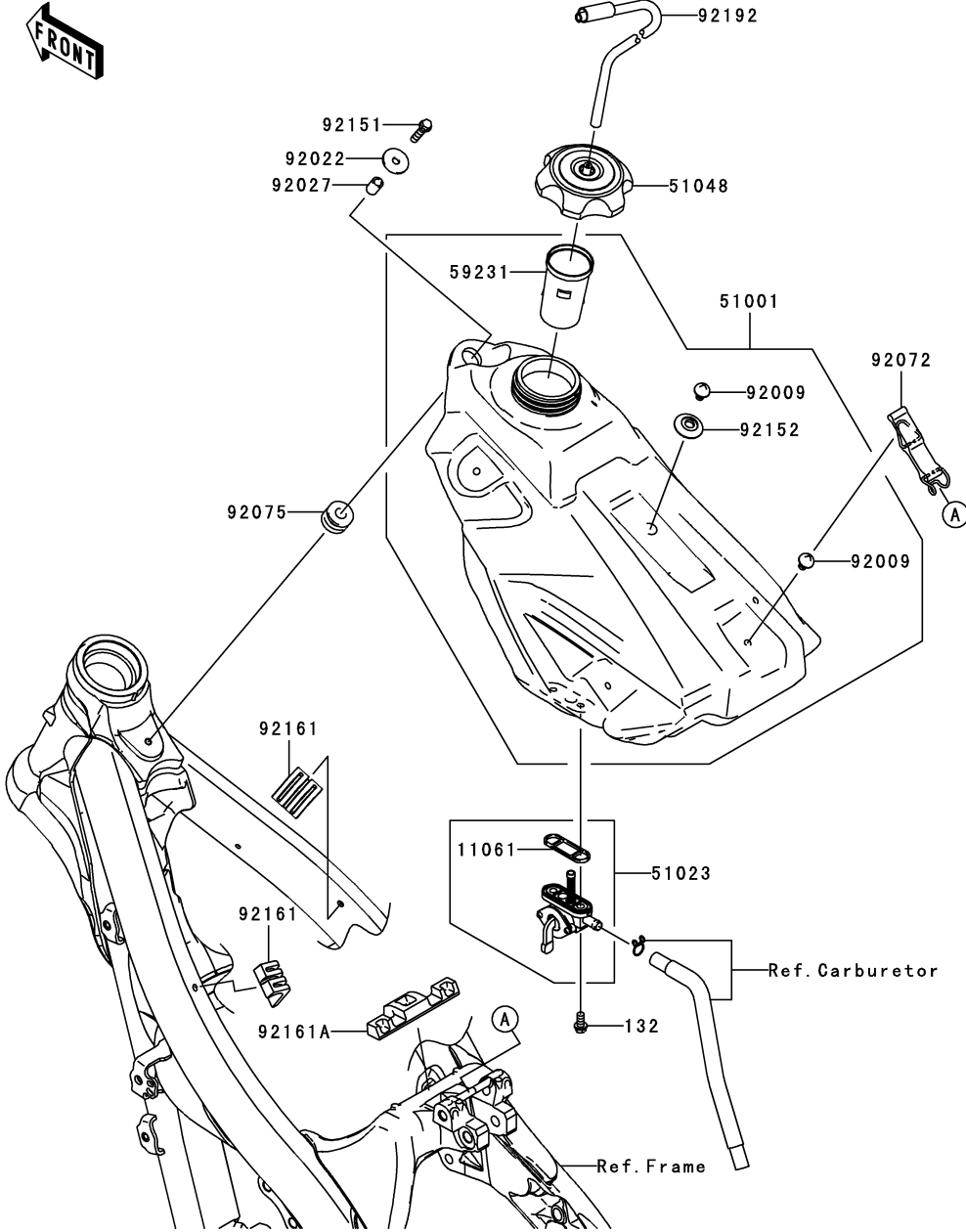
GRID NO.

**E-10**

This grid covers:

**Fuel Tank**

F2410



Ref. No.	Part No.	Description	Spec Code	Quantity-KX250	
				'10	XAFB
11061	11061-0181	GASKET,FUEL TAP		1	
51001	51001-0262	TANK-COMP-FUEL		1	
51023	51023-0025	TAP-ASSY,FUEL		1	
51048	51048-0009	CAP-ASSY-TANK,FUEL		1	
59231	59231-0019	FILLER		1	
92009	92009-1971	SCREW,6MM		2	
92022	92022-1690	WASHER,6.5X24X2		1	
92027	92027-1966	COLLAR,6.8X10X14		1	
92072	92072-0045	BAND,FUEL TANK		1	
92075	92075-1787	DAMPER		1	
92151	92151-1930	BOLT,FLANGED-SMALL,6X25		1	
92152	92152-1346	COLLAR		1	
92161	92161-0614	DAMPER,FUEL TANK,SIDE		2	
92161A	92161-0634	DAMPER,FUEL TANK,REAR		1	
92192	92192-0161	TUBE		1	
132	132BB0612	BOLT-FLANGED-SMALL,6X12		2	

This catalog covers:

'10 KX250XAFB Chassis

GRID NO.

**E-11**

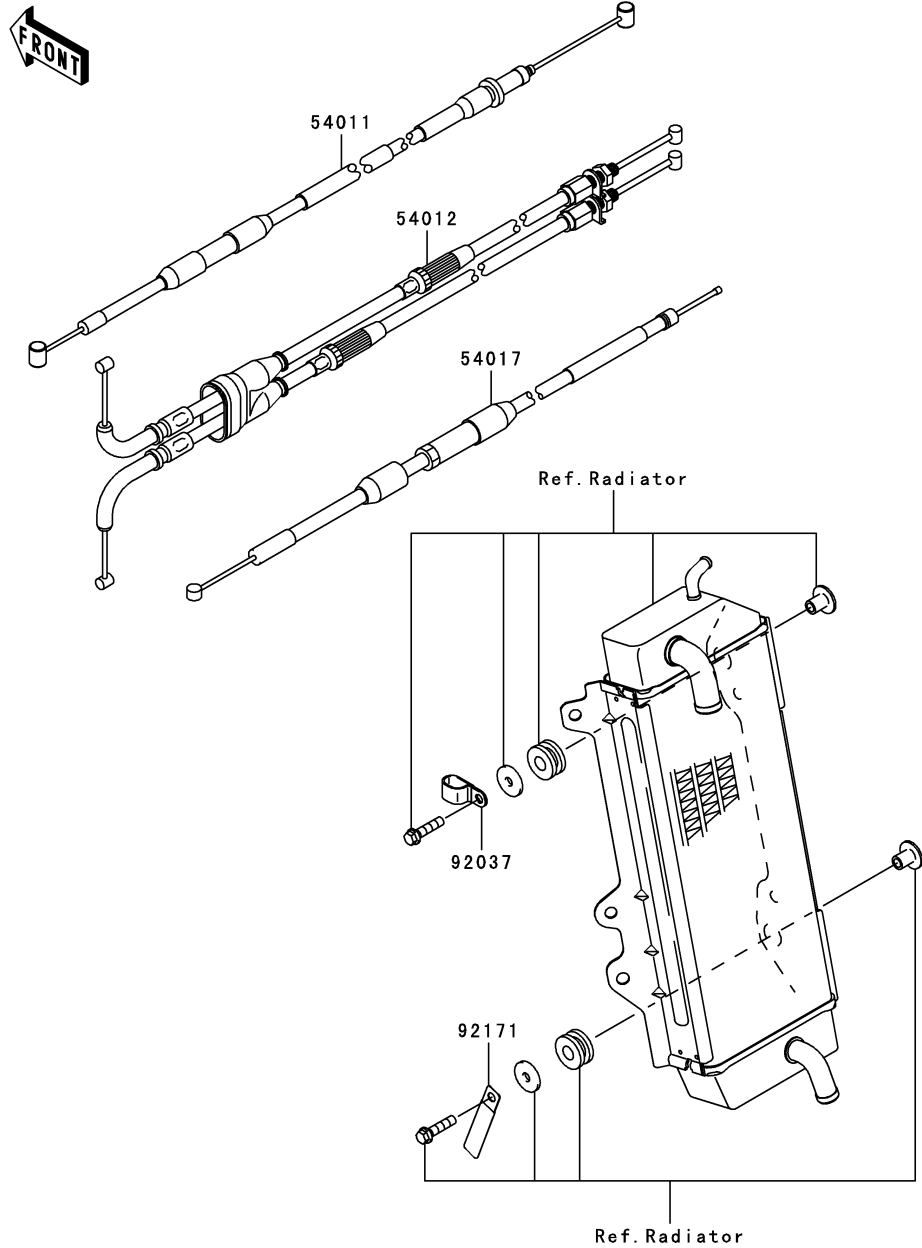
This grid covers:

**Cables**

F2540

Ref. No.	Part No.	Description	Spec Code	Quantity-KX250			
				'10			
				XAFB			

54011	54011-0087	CABLE-CLUTCH		1			
54012	54012-0265	CABLE-THROTTLE		1			
54017	54017-0014	CABLE-STARTER		1			
92037	92037-1608	CLAMP		1			
92171	92171-0652	CLAMP		1			



This catalog covers:

'10 KX250XAFB Chassis

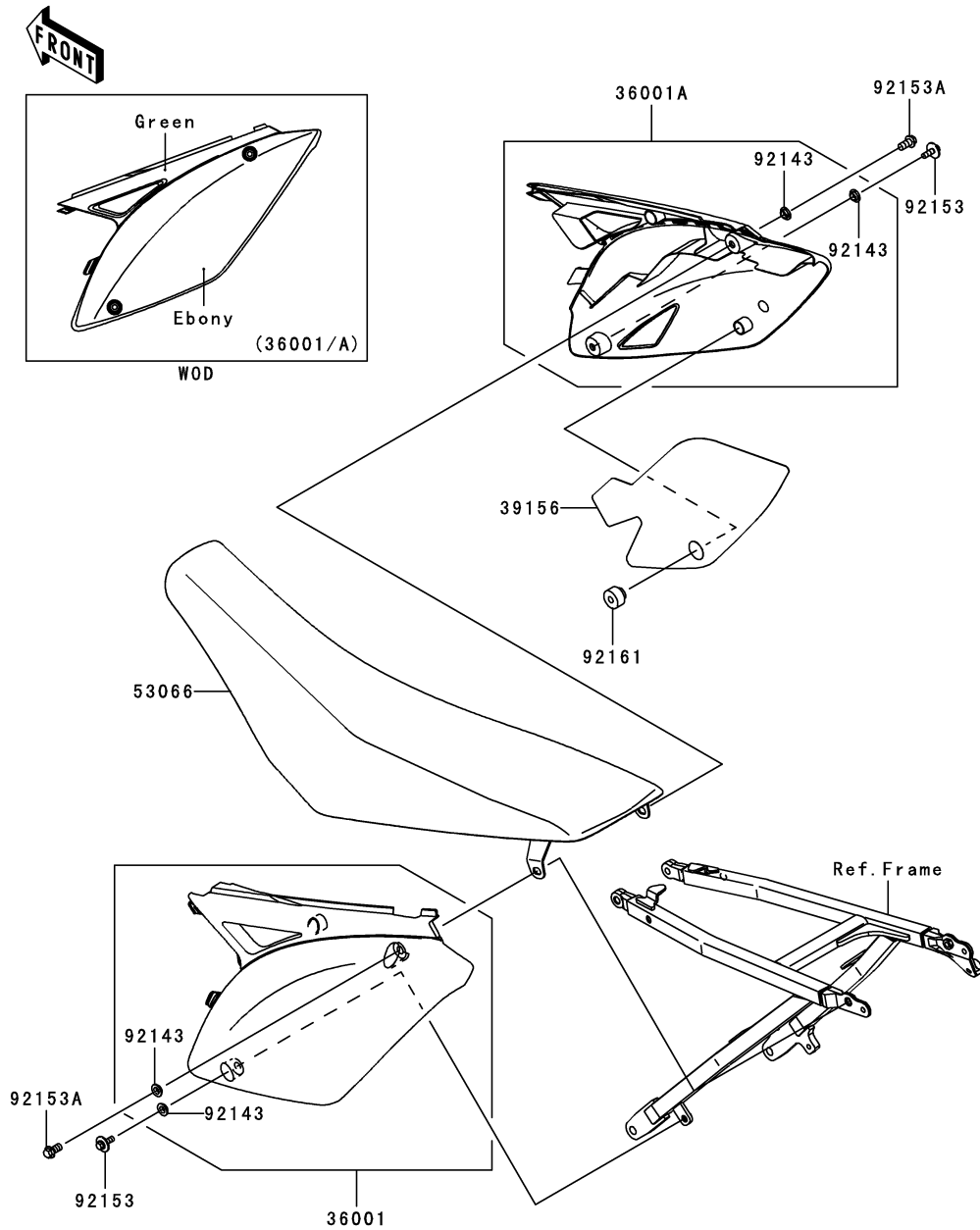
GRID NO.

**E-12**

This grid covers:

**Side Covers**

F2611



Ref. No.	Part No.	Description	Spec Code	Quantity-KX250			
				'10			
				XAFB			
36001	36001-0151-25P	COVER-SIDE,LH,UP GRN+LO EBONY					1
36001A	36001-0153-25P	COVER-SIDE,RH,UP GRN+LO EBONY					1
39156	39156-0427	PAD,SIDE COVER,RH					1
53066	53066-0244-13R	SEAT-ASSY,BLACK/GREEN					1
92143	92143-1196	COLLAR					4
92153	92153-0863	BOLT,6X16					2
92153A	92153-1308	BOLT,FLANGED,8X16					2
92161	92161-0073	DAMPER					1

This catalog covers:

'10 KX250XAFB Chassis

GRID NO.

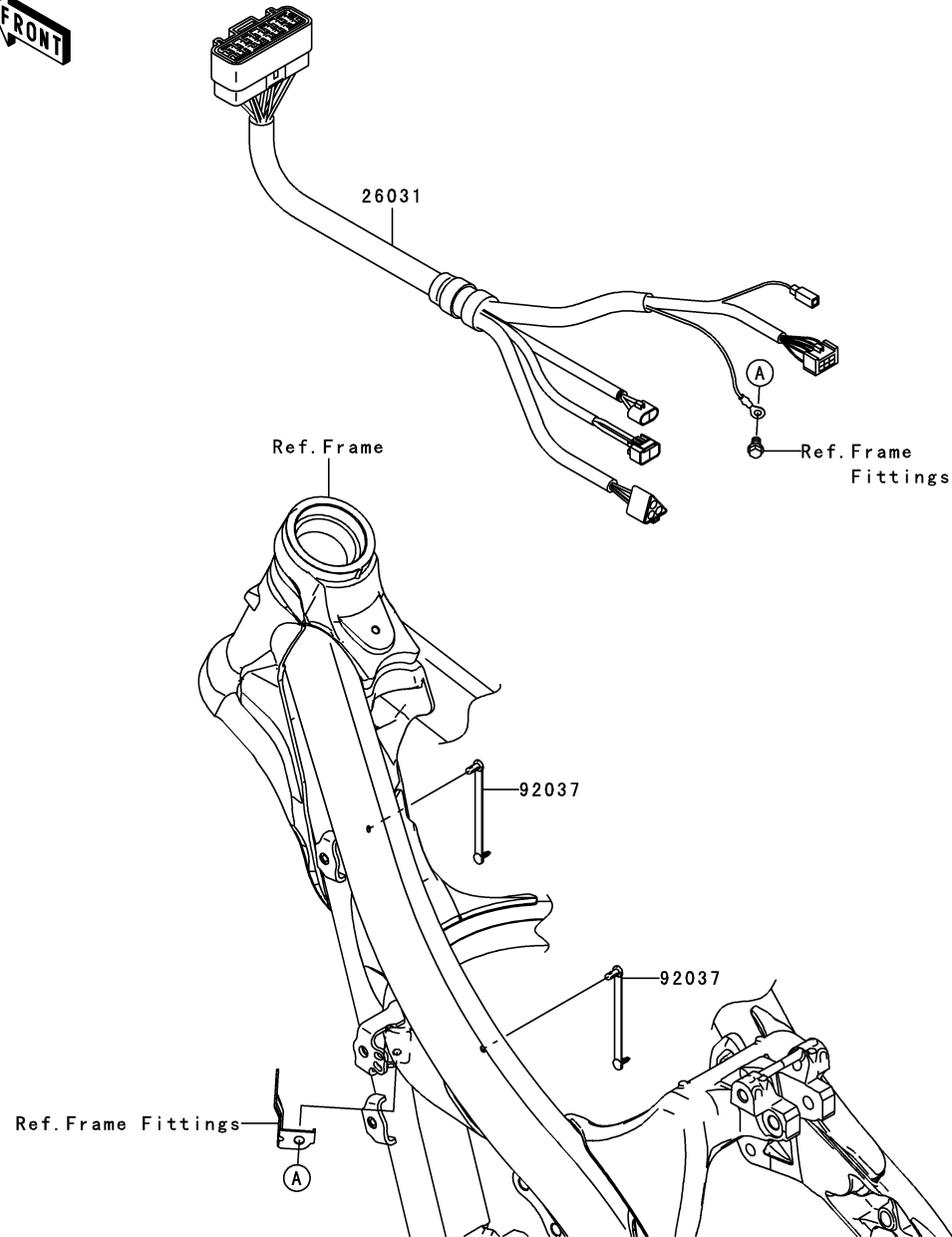
**E-13**

This grid covers:

**Chassis Electrical Equipment**

F2760

Ref. No.	Part No.	Description	Spec Code	Quantity-KX250			
				'10			
26031	26031-0755	HARNES,MAIN				1	
92037	92037-1903	CLAMP,SPEED,L=80.5				2	



This catalog covers:

'10 KX250XAFB Chassis

GRID NO.

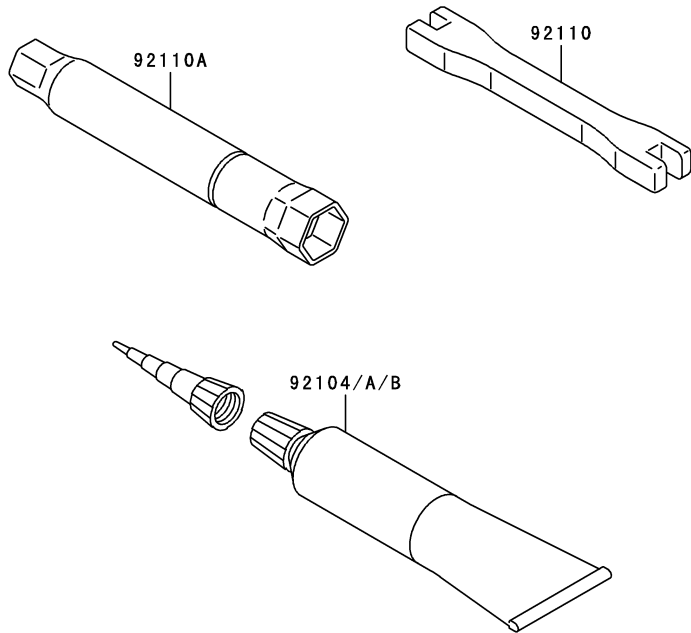
**E-14**

This grid covers:

**Owner's Tools**

F2810

Ref. No.	Part No.	Description	Spec Code	Quantity-KX250			
				'10			
				XAFB			
92104	92104-0004	GASKET-LIQUID,TB1211F,CLEAR					1
92104A	92104-1063	GASKET-LIQUID,TB1216,GRAY					1
92104B	92104-1064	GASKET-LIQUID,TB1216B,BLACK					1
92110	92110-0004	TOOL-WRENCH,NIPPLE,6X8					1
92110A	92110-0005	TOOL-WRENCH,BOX,16MM					1





This catalog covers:

# '10 KX250XAFB Chassis

GRID NO.

**F-3**

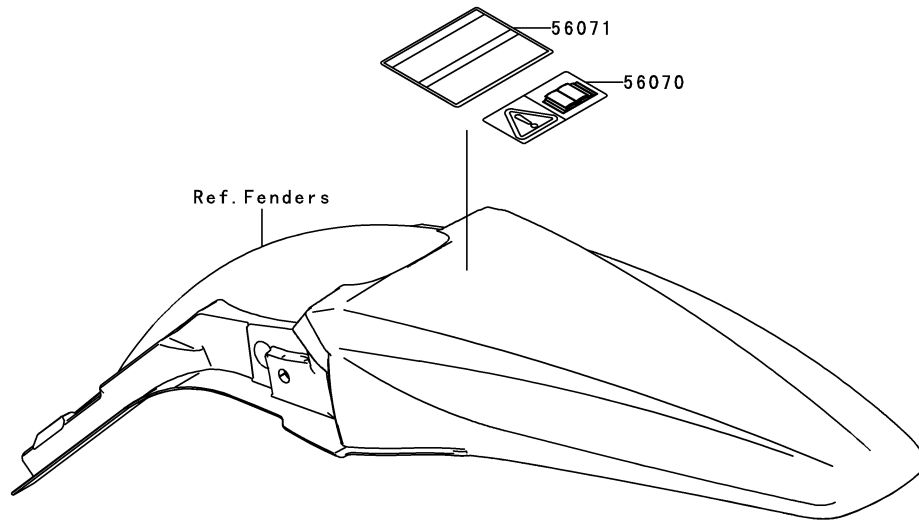
This grid covers:

# Labels

F2860



Ref. No.	Part No.	Description	Spec Code	Quantity-KX250			
				'10			
56070	56070-3799	LABEL-WARNING,OWNER'S MANUAL					1
56071	56071-0029	LABEL-WARNING,IMPORTANT NOTICE					1



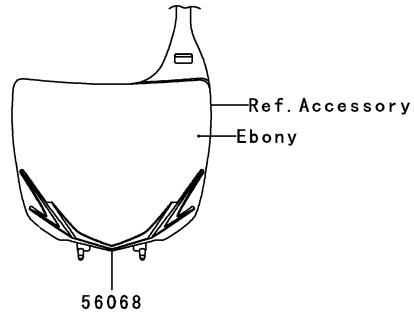
This catalog covers:  
**'10 KX250AFB Chassis**

GRID NO. This grid covers:

**F-4**

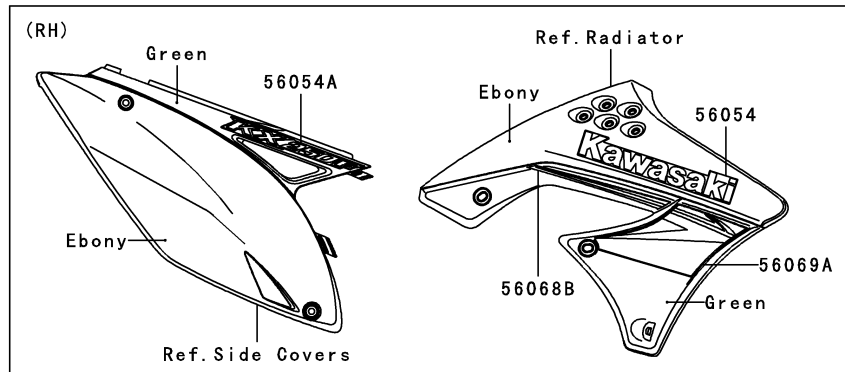
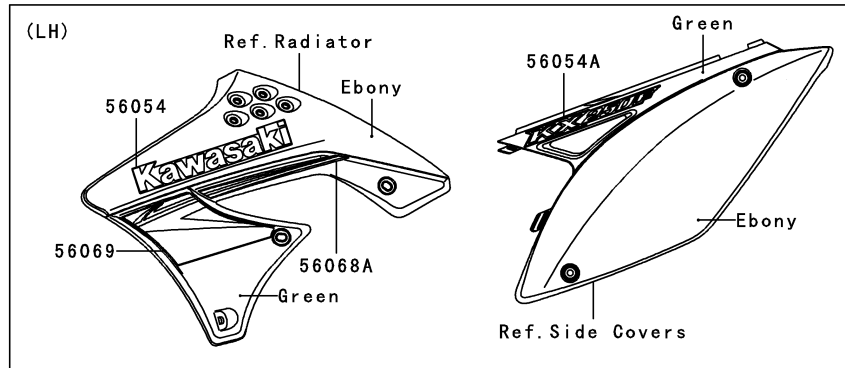
**Decals**

F2861



Ref. No.	Part No.	Description	Spec Code	Quantity-KX250			
				'10			
				XAFB			

56054	56054-0466	MARK,SHROUD,KAWASAKI		2			
56054A	56054-0589	MARK,SIDE COVER,KX250F		2			
56068	56068-1495	PATTERN,NUMBER PLATE		1			
56068A	56068-1885	PATTERN,SHROUD,RR,LH		1			
56068B	56068-1887	PATTERN,SHROUD,RR,RH		1			
56069	56069-0036	PATTERN,SHROUD,FR,LH		1			
56069A	56069-0037	PATTERN,SHROUD,FR,RH		1			



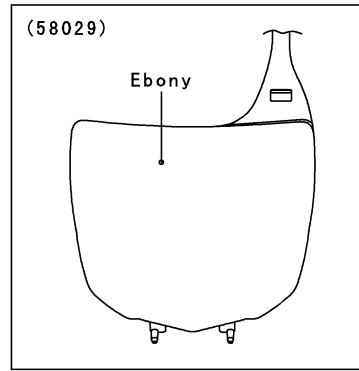
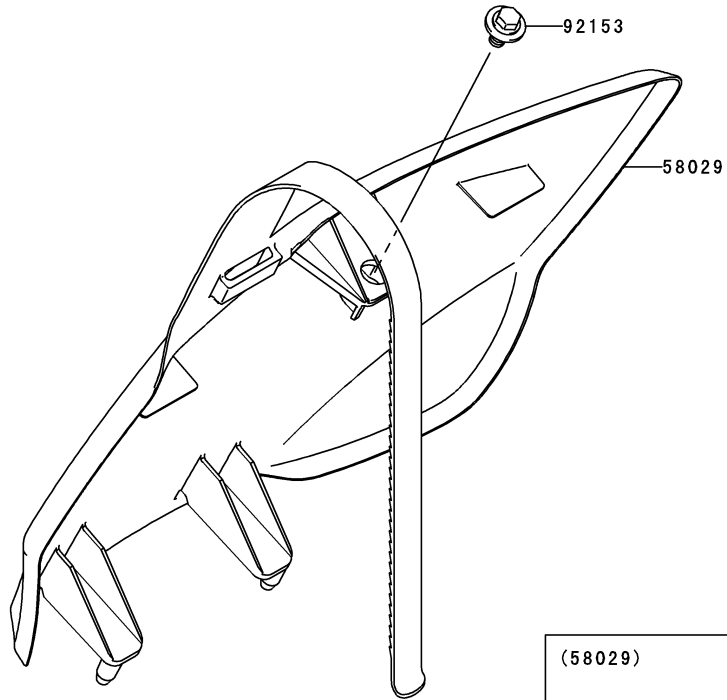
This catalog covers:  
**'10 KX250XAFB Chassis**

GRID NO. **F-5** This grid covers:  
**Accessory**



F2910

Ref. No.	Part No.	Description	Spec Code	Quantity-KX250			
				'10			
58029	58029-0006-6C	PLATE-NUMBER,EBONY					1
92153	92153-0503	BOLT,6X12					1



W0D

This catalog covers:

'10 KX250XAFB Chassis

GRID NO.

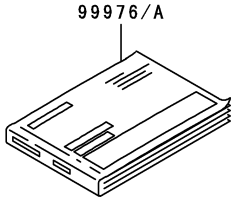
**F-6**

This grid covers:

**Manual**

F2920

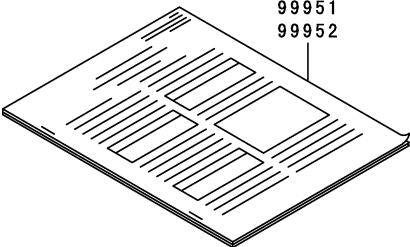
Owner's Manual  
(Local Procurement)



99976/A

Ref. No.	Language
(99976)	English
	French
	German
(99976A)	Italian
	Spanish
	Dutch

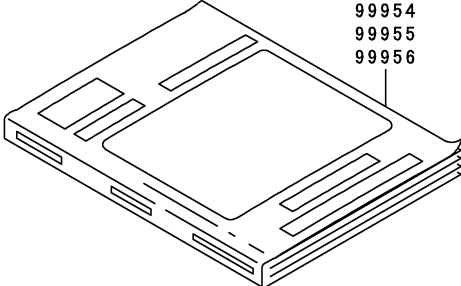
A&P Manual



99903  
99931  
99946  
99950  
99951  
99952

Ref. No.	Language
(99903)	Dutch
(99931)	English
(99946)	German
(99950)	French
(99951)	Italian
(99952)	Spanish

Service Manual



99901  
99924  
99953  
99954  
99955  
99956

Ref. No.	Language
(99901)	Dutch
(99924)	English
(99953)	German
(99954)	French
(99955)	Italian
(99956)	Spanish

Ref. No.	Part No.	Description	Spec Code	Quantity-KX250			
				'10			
				XAFB			
99901	99901-0019-01	SERVICE MANUAL,DUTCH					1
99903	99903-0019-01	A&P MANUAL,DUTCH					1
99924	99924-1428-01	SERVICE MANUAL,ENGLISH					1
99931	99939-1330-01	A&P MANUAL,ENGLISH					1
99946	99946-1059-01	A&P MANUAL,GERMAN					1
99950	99950-1067-01	A&P MANUAL,FRENCH					1
99951	99951-1048-01	A&P MANUAL,ITALIAN					1
99952	99952-1035-01	A&P MANUAL,SPANISH					1
99953	99953-1056-01	SERVICE MANUAL,GERMAN					1
99954	99954-1068-01	SERVICE MANUAL,FRENCH					1
99955	99955-1046-01	SERVICE MANUAL,ITALIAN					1
99956	99956-1032-01	SERVICE MANUAL,SPANISH					1
99976	99976-1519	OWNER'S MANUAL,EN/FR/DE					1
99976A	99976-1520	OWNER'S MANUAL,IT/ES/NL					1

This catalog covers:  
**'10 KX250XAFB**

GRID NO.

**L-14**

This grid covers:

**Numerical Parts Index**

Part No.	Grid No.	Part No.	Grid No.	Part No.	Grid No.	Part No.	Grid No.	Part No.	Grid No.	Part No.	Grid No.
11004-0079	B-3	13061-0357	B-12	13271-0675	B-3	16016-0017	C-7	32054-0049	D-8	41024-011	D-11
11005-0127	B-5	13064-0059	B-12	13271-0730	B-6	16021-0005	C-7	32054-0050	D-8	41025-0146-WC	D-11
11008-0191	B-3	13066-0004	B-12	13271-0808	B-10	16025-0009	C-7	32085-0011	C-5	41025-0147-WC	D-11
11011-0157	B-6	13070-0011	B-12	13271-0858	E-3	16025-0013	C-7	32085-0073	E-9	41029-0003	D-11
11012-1581	D-12	13070-0048	E-6	13271-1833	D-6	16030-1057	C-7	32085-0077	E-3	41029-1204	D-11
11013-0011	B-6	13070-0057	E-3	13272-0384	D-6	16031-1100	C-7	32085-1361	E-5	41029-1330	D-11
11055-0721	D-5	13078-0019	C-4	13272-0438	C-4	16039-0230	C-7	32085-1386	E-7	41032-0002	D-11
11055-1405	E-9	13078-0025	B-12	13272-0488	C-5	16041-0004	C-7	32099-0002	E-8	41032-1077	D-11
11055-1474	D-5	13087-0017	B-13	13272-0670	C-5	16044-007	C-7	32099-0003	E-8	41032-1085	D-11
11061-0027	B-7	13088-0018	B-13	13280-0038	B-3	16049-1051	C-7	32099-0051	C-10	41032-1086	D-11
11061-0077	C-7	13089-0005	B-13	13280-0108	B-6	16065-0056	B-3	32160-0331	D-3	41034-0034	D-12
11061-0181	E-10	13095-0121	B-13	13280-0170	B-6	16142-0003	C-10	32160-0463	D-3	41034-0057	D-13
11061-0350	B-4	13097-0117	B-11	13280-0184	E-8	16142-0020	C-13	32190-0391	D-4	41068-0004	D-12
11061-0354	B-7	130BA0512	B-6	13280-0339	B-13	16154-0090	C-10	32190-0392	D-4	41068-1466	D-13
11061-0357	B-5	130CA0818	D-4	132BA0608	C-13	16154-0093	C-10	32190-0431	D-4	41080-0076	E-7
11061-0361	C-6	130CD0514	C-13	132BA0612	B-10	16157-0001	C-7	33001-0196	D-6	41080-0082	E-5
11061-0362	C-6	13102-0034	B-13	132BA0612	B-3	16159-1054	C-7	33032-0012	D-6	41080-0090	E-5
11061-0363	C-6	13107-0196	C-13	132BA0612	C-13	16170-0003	C-7	33040-0020	D-6	41080-0094	E-7
11065-0087	C-13	13116-0037	B-13	132BA0650	C-5	16187-0238	C-7	33040-1189	D-6	41090-0114-WC	D-11
11065-0340	E-3	13127-0064	B-14	132BA0660	C-5	16187-0239	C-7	34024-0074	D-10	41090-0115-WC	D-11
11065-1253	D-13	13128-0046	B-14	132BA0665	C-5	16187-0240	C-7	34028-0104	D-8	410AA0800	D-13
12004-0033	B-8	13140-0056	C-3	132BA0670	C-5	16187-0241	C-7	34028-0105	D-8	411S0600	B-7
12005-0002	B-8	13140-0057	C-3	132BA0840	B-7	16187-0242	C-7	35004-0139-290	D-9	42036-0019	D-6
12009-0010	B-8	13141-0052	C-3	132BB0612	E-10	16187-0262	C-7	35019-0050	D-9	42036-0020	D-7
12009-1073	B-8	13144-0036	B-14	132BB0625	C-14	16187-0263	C-7	35023-0180-290	D-9	42036-0021	D-7
12011-1053	B-8	13144-0064	B-14	132BC0630	C-6	16187-0264	C-7	36001-0151-25P	E-12	42036-0022	D-7
12022-0006	C-5	13145-0031	C-3	14001-0164	C-5	16187-0265	C-7	36001-0153-25P	E-12	42036-0030	D-7
12032-0005	B-8	13151-0006	C-3	14013-0001	B-10	16187-0266	C-7	39007-0158	D-7	42036-1351	D-7
12032-0006	B-8	13156-0124	C-4	14013-0002	B-10	172BA0612	C-4	39061-0168	C-14	42041-1381	D-13
12048-0056	B-10	13161-0067	C-4	14024-1971	C-7	18046-0177	B-7	39061-0179	C-14	42041-1382	D-13
12053-0009	B-10	13165-0018	C-4	14026-0026	C-6	18088-0524	B-7	39062-0258	C-14	42041-1383	D-13
12053-0010	B-10	13168-0051	C-7	14031-0098	C-6	18100-0102	B-7	39062-0292	C-14	42041-1384	D-13
12053-0017	B-10	13187-1089	B-13	14032-0120	C-6	21003-0091	C-11	39062-0293	C-14	42041-1408	D-13
12053-0125	D-6	13206-1062	B-12	14032-0136	C-6	21007-0071	C-11	39062-0294	C-14	42041-1447	D-13
12053-0129	C-6	13234-0009	B-3	14037-0100-6C	C-14	21007-0072	C-11	39062-0295	C-14	42041-1448	D-13
12053-0130	C-6	13234-0045	C-10	14037-0101-6C	C-14	21007-0133	C-11	39062-1348	C-14	42041-1449	D-13
12053-0160	D-6	13235-0003	E-3	14073-0270	B-6	21083-0035	C-8	39087-0005	E-8	42041-1450	D-13
120CA0612	B-3	13236-0097	D-14	14079-0022	E-7	21118-0004	B-10	39111-0071	D-7	42041-1501	D-13
120CA0625	B-3	13236-0161	C-4	14079-0043	E-5	21119-0103	C-12	39115-0007	C-10	43010-1087	E-6
120CA0625	B-5	13236-1346	E-4	14091-0182	E-8	21121-0021	C-12	39115-0021	B-12	43015-0142	E-6
120CC0630	C-13	13262-0671	B-14	14091-0208	C-7	21176-0016	C-8	39156-0427	E-12	43015-0145	E-4
13001-0115	B-5	13262-0672	B-14	14091-0209	C-7	220AA0408	C-9	39183-1059	E-8	43020-1094	E-6
13002-0030	B-5	13262-0673	B-14	14091-1523-6C	E-7	220AA0414	C-9	39192-0037	C-13	43020-1123	E-4
13008-0028	B-5	13262-0674	B-14	14091-1629	B-4	220AA0510	E-6	41009-0253	D-11	43022-1010	E-4
13031-0136	B-11	13262-0675	B-14	15004-0077	C-7	225AA0510	C-5	41009-0254	D-11	43026-0008	E-6
13032-0076	B-11	13262-0676	B-14	16007-0002	B-8	26031-0755	E-13	41022-1107	D-11	43026-0020	E-4
13034-0019	B-11	13262-0775	B-14	16007-0029	B-8	27010-0047	E-8	41022-1142	D-11	43028-0001	C-8
13035-0022	B-11	13262-0776	B-14	16012-0004	C-7	290CA0808	B-12	41023-1009	D-11	43028-1067	E-4
13037-0164	B-11	13262-0777	B-14	16014-0004	C-7	31064-0195	B-7	41023-1081	D-11	43028-1092	E-6
13037-0165	B-11	13271-0241	C-7	16016-0009	C-7	311BA0600	C-4	41024-010	D-11	43034-1110	E-4

This catalog covers:  
**'10 KX250XAFB**

GRID NO.

**L-15**

This grid covers:

**Numerical Parts Index**

Part No.	Grid No.	Part No.	Grid No.	Part No.	Grid No.	Part No.	Grid No.	Part No.	Grid No.	Part No.	Grid No.
43048-1066	E-7	480J1400	C-4	56054-0589	F-4	92022-1356	B-11	92045-1123	C-6	92055-1167	C-8
43048-1093	E-5	480J1800	B-12	56068-1495	F-4	92022-1380	C-13	92045-1284	D-12	92055-1223	C-8
43049-1060	E-5	480J2200	B-14	56068-1885	F-4	92022-1601	E-6	92045-1287	C-5	92055-1308	C-13
43049-1061	E-5	481J2200	C-6	56068-1887	F-4	92022-1690	E-10	92045-1335	C-5	92055-1352	B-4
43049-1063	E-7	49002-0003	B-3	56069-0036	F-4	92022-1737	E-8	92045-1432	C-5	92055-1671	C-8
43049-1064	E-7	49002-0016	B-3	56069-0037	F-4	92022-1814	E-4	92045-1446	D-13	92055-520	C-13
43056-1055	E-5	49006-0033	E-8	56070-3799	F-3	92022-1827	C-13	92046-0016	B-13	92057-0030	B-10
43056-1055	E-7	49006-0060	E-8	56071-0029	F-3	92022-1827	C-4	92046-1010	C-5	92057-0191	D-13
43057-1001	E-5	49006-0078	E-4	58029-0006-6C	F-5	92022-1829	D-8	92046-1151	D-7	92058-1074	D-13
43057-1001	E-7	49006-1088	E-5	59006-0011	B-6	92022-1944	B-12	92046-1174	D-6	92062-0004	C-5
43058-0012	E-3	49006-1088	E-7	59051-0009	C-10	92022-250	D-3	92046-1190	B-13	92063-1374	C-8
43078-0030	E-3	49006-1242	E-5	59051-0033	B-12	92022-271	B-12	92046-1221	C-5	92063-1375	C-8
43080-0037	E-7	49006-1242	E-7	59051-0061	C-13	92022-304	C-13	92046-1240	D-6	92063-1376	C-8
43080-0081	E-5	49016-1044	E-4	59051-0089	B-12	92026-0144	E-9	92046-1301	D-7	92063-1377	C-8
43082-0049	E-5	49047-0003	C-3	59231-0019	E-10	92026-1217	C-4	92046-1301	E-3	92063-1378	C-8
43082-0107	E-7	49047-0004	C-3	59256-1065	C-13	92027-1653	B-7	92049-0015	C-5	92063-1379	C-8
43089-0026	E-3	49065-0017	C-10	600A0700	C-3	92027-1966	E-10	92049-0030	C-5	92063-1380	C-8
43095-0286	E-4	49065-0023	C-10	600A0800	B-12	92033-0018	C-8	92049-0060	C-6	92063-1381	C-8
43095-0449	E-6	49078-0003	B-8	600A1000	B-13	92033-0039	E-9	92049-0061	C-6	92063-1382	C-8
44008-0047	E-9	49078-0056	B-8	610A0408	C-10	92033-0040	E-3	92049-0063	D-7	92064-1140	C-8
44013-0147	E-9	49085-1070	C-14	610A0408	C-3	92033-0042	E-3	92049-0069	D-7	92064-1141	C-8
44013-0148	E-9	49085-1073	C-14	670B2012	D-14	92033-0057	B-14	92049-0074	E-9	92064-1142	C-8
44026-0075	E-9	49089-0068-27W	C-14	670B2022	C-6	92033-0076	E-3	92049-013	C-6	92064-1143	C-8
44026-0076	E-9	49089-0069-27W	C-14	92004-0025	B-3	92033-1039	C-10	92049-0151	E-3	92064-1144	C-8
44026-0077	E-9	49091-0001	E-4	92005-0014	C-5	92033-1041	D-13	92049-1196	B-3	92064-1160	C-9
44037-0108-21	E-9	49091-0001	E-6	92005-0016	C-8	92033-1161	B-5	92049-1262	C-5	92065-058	C-3
44039-0079-21	E-9	49107-0126	B-7	92005-0101	C-14	92033-1270	B-14	92049-1349	B-8	92065-058	C-5
44065-0027	E-9	49118-0066	B-10	92009-1458	E-4	92036-007	B-13	92049-1387	B-12	92066-0011	C-6
44065-0028	E-9	49118-0154	B-10	92009-1551	C-8	92037-1396	C-8	92049-1403	D-12	92066-0024	B-3
44065-0029	E-9	49121-0001	C-8	92009-1828	D-6	92037-1523	B-3	92049-1519	C-6	92066-0039	C-6
44071-0688	E-9	51001-0262	E-10	92009-1876	C-8	92037-1589	C-14	92049-1614	D-13	92066-0150	C-6
44071-0691	E-9	51023-0025	E-10	92009-1971	E-10	92037-1608	E-11	92055-0010	C-13	92066-1012	B-3
44071-0692	E-9	51048-0009	E-10	92009-1981	C-8	92037-1903	E-13	92055-0046	B-3	92066-1437	C-5
45014-0304-10	E-3	510A3200	C-11	92009-1993	D-9	92042-007	B-3	92055-0066	C-8	92066-3777	B-3
46003-0077	E-8	52005-1009	C-6	92015-1014	D-6	92042-007	C-10	92055-0090	E-9	92070-0019	C-12
46012-0013-21	E-8	52010-0001	C-10	92015-1078	D-6	92042-007	C-13	92055-0091	E-9	92070-1266	C-12
46012-0020-21	E-8	53066-0244-13R	E-12	92015-1259	B-6	92042-007	C-6	92055-0092	E-9	92072-0045	E-10
46012-0021-21	E-8	54011-0087	E-11	92015-1339	D-5	92043-0004	E-6	92055-0093	E-9	92072-0055	E-8
46012-0023-21	E-8	54012-0265	E-11	92015-1402	B-7	92043-0017	C-4	92055-0094	E-9	92075-1138	C-12
46012-0048-21	E-8	54017-0014	E-11	92015-1428	C-11	92043-0074	D-8	92055-0095	E-9	92075-1787	E-10
46019-0018	E-8	55020-0435-6C	D-5	92015-1432	D-4	92043-1507	E-7	92055-0098	E-3	92075-209	C-14
46075-0044	E-8	55020-0436-6C	D-5	92015-1433	D-7	92043-1508	E-7	92055-0099	E-3	92081-020	B-12
46076-0034	E-8	55020-0441-6C	E-9	92015-1528	E-4	92043-1676	C-4	92055-0100	E-3	92081-1092	C-9
46092-0001	E-8	55020-0442-6C	E-9	92015-1791	D-3	92043-4009	B-3	92055-0101	E-3	92081-1620	C-9
46092-0007	E-8	55020-0443-6C	D-5	92015-1792	D-3	92043-4009	B-5	92055-0150	B-3	92093-0059	E-9
46102-0033	C-8	55020-0458-6C	E-7	92015-1861	D-3	92043-4009	C-5	92055-055	B-14	92093-1046	C-9
46102-0088	E-3	550AA2015	E-6	92015-1962	E-8	92045-0013	C-5	92055-086	B-10	92093-1434	D-6
46102-0107	E-9	550AA3035	D-13	92019-008	E-8	92045-0051	C-5	92055-1004	C-8	92093-1435	D-6
46102-0152	E-3	550S3020	D-8	92022-1028	E-6	92045-0052	C-5	92055-1011	C-6	92093-1436	D-7
461S0600	B-7	56054-0466	F-4	92022-1088	E-8	92045-0060	D-5	92055-1146	C-6	92104-0004	E-14

This catalog covers:  
**'10 KX250XAFB**

GRID NO.

**L-16**

This grid covers:

**Numerical Parts Index**

Part No.	Grid No.	Part No.	Grid No.	Part No.	Grid No.	Part No.	Grid No.	Part No.	Grid No.	Part No.	Grid No.
92104-1063	E-14	92151-1199	C-6	92153-0687	C-11	92161-0634	E-10	92180-0188	B-8	92210-0271	E-3
92104-1064	E-14	92151-1233	D-5	92153-0695	E-4	92161-1184	D-11	92180-0189	B-8	92210-0272	E-3
92110-0004	E-14	92151-1233	D-6	92153-0696	C-13	92170-1077	C-14	92180-0190	B-8	92210-0285	D-6
92110-0005	E-14	92151-1423	C-13	92153-0773	E-8	92170-1204	C-9	92180-0191	B-8	92210-0350	B-11
92116-1069	D-3	92151-1423	D-9	92153-0802	D-4	92170-1226	E-8	92180-0192	B-8	92210-0430	E-9
92116-1076	D-3	92151-1449	B-7	92153-0825	C-4	92170-1283	C-14	92180-0193	B-8	92210-1080	D-4
92122-0016	D-5	92151-1537	E-8	92153-0838	D-8	92170-1514	B-3	92180-0194	B-9	92210-1080	D-7
92122-0021	C-10	92151-1652	B-12	92153-0863	B-6	92170-1582	C-9	92180-0195	B-9	92210-1184	D-4
92139-0014	B-13	92151-1654	E-6	92153-0863	D-5	92170-1938	C-5	92180-0196	B-9	92210-1184	D-7
92139-0241	B-14	92151-1799	E-5	92153-0863	E-12	92171-0149	C-9	92180-0197	B-9	92210-1207	B-13
92143-1087	D-9	92151-1822	B-7	92153-0864	C-14	92171-0195	C-6	92180-0198	B-9	92210-1352	D-9
92143-1196	C-14	92151-1930	B-10	92153-0864	D-9	92171-0246	C-9	92180-0199	B-9	92210-1411	D-13
92143-1196	D-5	92151-1930	C-4	92153-0918	B-10	92171-0372	C-14	92180-0200	B-9	99901-0019-01	F-6
92143-1196	E-12	92151-1930	C-6	92153-0936	E-7	92171-0481	E-4	92180-0201	B-9	99903-0019-01	F-6
92143-1307	D-5	92151-1930	E-10	92153-0936	E-9	92171-0482	E-4	92180-0202	B-9	99924-1428-01	F-6
92143-1676	D-6	92152-0028	D-12	92153-0937	D-7	92171-0506	E-9	92180-0203	B-9	99939-1330-01	F-6
92144-1721	E-5	92152-0052	C-14	92153-0938	D-7	92171-0579	C-5	92180-0204	B-9	99946-1059-01	F-6
92144-1752	D-14	92152-0052	D-5	92153-0939	D-7	92171-0651	B-6	92180-0205	B-9	99950-1067-01	F-6
92144-1761	C-10	92152-0141	C-9	92153-0974	D-14	92171-0652	E-11	92180-0206	B-9	99951-1048-01	F-6
92144-1819	E-7	92152-0261	C-12	92153-0990	E-9	92171-0925	B-3	92180-0207	B-9	99952-1035-01	F-6
92145-0048	B-3	92152-0275	B-6	92153-1181	B-4	92172-0069	E-8	92190-1488	D-14	99953-1056-01	F-6
92145-0051	B-12	92152-0292	D-6	92153-1308	E-12	92172-0087	C-10	92192-0083	C-9	99954-1068-01	F-6
92145-0164	C-9	92152-0324	D-12	92153-1386	D-7	92172-0119	D-6	92192-0084	C-9	99955-1046-01	F-6
92145-0166	C-9	92152-0379	C-14	92153-1397	E-9	92172-0127	C-9	92192-0085	C-9	99956-1032-01	F-6
92145-0167	C-9	92152-0425	D-7	92153-1398	E-9	92172-0128	C-9	92192-0161	E-10	99976-1519	F-6
92145-0198	D-8	92152-0459	D-5	92153-1399	E-9	92172-0129	C-9	92192-0167	C-14	99976-1520	F-6
92145-0199	D-8	92152-0683	B-14	92153-1506	E-8	92172-0248	B-12	92192-0685	C-5	99999-0023	B-3
92145-0351	B-13	92152-0687	B-14	92153-1652	D-5	92172-1064	E-6	92192-0688	C-9		
92145-0453	C-4	92152-1139	D-7	92153-1669	C-4	92173-0174	B-7	92200-0027	B-13		
92145-0463-10	E-3	92152-1346	E-10	92153-1669	C-5	92180-0167	B-8	92200-0029	C-4		
92145-0464-10	E-3	92152-1414	C-4	92153-1735	C-3	92180-0168	B-8	92200-0045	B-13		
92145-0465-10	E-3	92152-1422	D-9	92153-1778	E-9	92180-0169	B-8	92200-0087	C-5		
92145-0466-10	E-3	92152-1427	D-13	92153-1852	D-9	92180-0170	B-8	92200-0098	B-13		
92145-0499	B-12	92152-1473	D-13	92153-1869	D-4	92180-0171	B-8	92200-0107	C-9		
92145-0608	C-4	92153-0338	B-3	92153-1916	D-4	92180-0172	B-8	92200-0114	B-3		
92145-0609	C-4	92153-0339	B-3	92153-1917	D-4	92180-0173	B-8	92200-0154	D-14		
92145-0758	B-10	92153-0341	B-3	92154-0024	D-3	92180-0174	B-8	92200-0190	C-13		
92150-1426	C-9	92153-0503	C-14	92154-0056	B-7	92180-0175	B-8	92200-0271	C-14		
92150-1451	E-4	92153-0503	D-5	92154-0106	D-7	92180-0176	B-8	92200-0285	D-6		
92150-1452	E-4	92153-0503	F-5	92154-0130	D-6	92180-0177	B-8	92200-0300	E-8		
92150-1474	E-8	92153-0517	E-5	92154-0180	B-13	92180-0178	B-8	92200-0378	B-12		
92150-1491	C-10	92153-0572	B-10	92154-0181	B-12	92180-0179	B-8	92200-0442	B-14		
92150-1684	C-11	92153-0620	D-6	92154-0219	E-3	92180-0180	B-8	92200-1434	C-9		
92150-1691	E-5	92153-0623	B-6	92154-0371	E-9	92180-0181	B-8	92200-1548	B-13		
92150-1692	E-7	92153-0626	C-12	92160-1116	B-7	92180-0182	B-8	92200-1623	D-13		
92150-1760	D-3	92153-0627	E-4	92161-0073	E-12	92180-0183	B-8	92210-0065	D-12		
92150-1811	E-7	92153-0627	E-6	92161-0113	E-8	92180-0184	B-8	92210-0066	D-3		
92150-1978	D-13	92153-0638	C-9	92161-0213	B-6	92180-0185	B-8	92210-0159	D-13		
92151-1135	C-6	92153-0639	C-9	92161-0329	E-3	92180-0186	B-8	92210-0167	E-8		
92151-1199	C-13	92153-0653	D-8	92161-0614	E-10	92180-0187	B-8	92210-0270	E-3		

This catalog covers:

'10 KX250XAFB

GRID NO.

**B-16**

This grid covers:

**Part Name Index**

Accessory.....	F-5
Air Cleaner.....	B-6
Brake Pedal.....	D-14
Cables.....	E-11
Camshaft(s).....	B-10
Carburetor.....	C-7/C-8/C-9
Chassis Electrical Equipment.....	E-13
Clutch.....	B-13
Crankcase.....	C-5
Crankshaft.....	B-11
Cylinder.....	B-5
Cylinder Head.....	B-3
Cylinder Head Cover.....	B-4
Decals.....	F-4
Engine Cover(s).....	C-6
Engine Mount.....	D-4
Fenders.....	D-9
Footrests.....	D-8
Frame.....	D-3
Frame Fittings.....	D-5
Front Brake.....	E-5
Front Fork.....	E-9
Front Hub.....	D-12
Front Master Cylinder.....	E-4
Fuel Tank.....	E-10
Gear Change Drum.....	C-3

Gear Change Mechanism.....	C-4
Generator.....	C-11
Handlebar.....	E-8
Ignition System.....	C-12
Kickstarter Mechanism.....	B-12
Labels.....	F-3
Manual.....	F-6
Muffler(s).....	B-7
Oil Pump.....	C-10
Owner's Tools.....	E-14
Piston(s).....	B-5
Radiator.....	C-14
Rear Brake.....	E-7
Rear Hub.....	D-13
Rear Master Cylinder.....	E-6
Shift Fork(s).....	C-3
Shock Absorber(s).....	E-3
Side Covers.....	E-12
Stand(s).....	D-10
Suspension.....	D-7
Swingarm.....	D-6
Tensioner.....	B-10
Tires.....	D-11
Transmission.....	B-14
Valve(s).....	B-8/B-9
Water Pump.....	C-13



This catalog covers:

'10 KX250XAFB

GRID NO.

**C-16**

This grid covers:

**Part Name Index**

Accessory.....	F-5
Air Cleaner.....	B-6
Brake Pedal.....	D-14
Cables.....	E-11
Camshaft(s).....	B-10
Carburetor.....	C-7/C-8/C-9
Chassis Electrical Equipment.....	E-13
Clutch.....	B-13
Crankcase.....	C-5
Crankshaft.....	B-11
Cylinder.....	B-5
Cylinder Head.....	B-3
Cylinder Head Cover.....	B-4
Decals.....	F-4
Engine Cover(s).....	C-6
Engine Mount.....	D-4
Fenders.....	D-9
Footrests.....	D-8
Frame.....	D-3
Frame Fittings.....	D-5
Front Brake.....	E-5
Front Fork.....	E-9
Front Hub.....	D-12
Front Master Cylinder.....	E-4
Fuel Tank.....	E-10
Gear Change Drum.....	C-3

Gear Change Mechanism.....	C-4
Generator.....	C-11
Handlebar.....	E-8
Ignition System.....	C-12
Kickstarter Mechanism.....	B-12
Labels.....	F-3
Manual.....	F-6
Muffler(s).....	B-7
Oil Pump.....	C-10
Owner's Tools.....	E-14
Piston(s).....	B-5
Radiator.....	C-14
Rear Brake.....	E-7
Rear Hub.....	D-13
Rear Master Cylinder.....	E-6
Shift Fork(s).....	C-3
Shock Absorber(s).....	E-3
Side Covers.....	E-12
Stand(s).....	D-10
Suspension.....	D-7
Swingarm.....	D-6
Tensioner.....	B-10
Tires.....	D-11
Transmission.....	B-14
Valve(s).....	B-8/B-9
Water Pump.....	C-13

This catalog covers:

'10 KX250XAFB

GRID NO.

**D-16**

This grid covers:

**Part Name Index**

Accessory.....	F-5
Air Cleaner.....	B-6
Brake Pedal.....	D-14
Cables.....	E-11
Camshaft(s).....	B-10
Carburetor.....	C-7/C-8/C-9
Chassis Electrical Equipment.....	E-13
Clutch.....	B-13
Crankcase.....	C-5
Crankshaft.....	B-11
Cylinder.....	B-5
Cylinder Head.....	B-3
Cylinder Head Cover.....	B-4
Decals.....	F-4
Engine Cover(s).....	C-6
Engine Mount.....	D-4
Fenders.....	D-9
Footrests.....	D-8
Frame.....	D-3
Frame Fittings.....	D-5
Front Brake.....	E-5
Front Fork.....	E-9
Front Hub.....	D-12
Front Master Cylinder.....	E-4
Fuel Tank.....	E-10
Gear Change Drum.....	C-3

Gear Change Mechanism.....	C-4
Generator.....	C-11
Handlebar.....	E-8
Ignition System.....	C-12
Kickstarter Mechanism.....	B-12
Labels.....	F-3
Manual.....	F-6
Muffler(s).....	B-7
Oil Pump.....	C-10
Owner's Tools.....	E-14
Piston(s).....	B-5
Radiator.....	C-14
Rear Brake.....	E-7
Rear Hub.....	D-13
Rear Master Cylinder.....	E-6
Shift Fork(s).....	C-3
Shock Absorber(s).....	E-3
Side Covers.....	E-12
Stand(s).....	D-10
Suspension.....	D-7
Swingarm.....	D-6
Tensioner.....	B-10
Tires.....	D-11
Transmission.....	B-14
Valve(s).....	B-8/B-9
Water Pump.....	C-13

This catalog covers:

'10 KX250XAFB

GRID NO.

**E-16**

This grid covers:

**Part Name Index**

Accessory.....	F-5
Air Cleaner.....	B-6
Brake Pedal.....	D-14
Cables.....	E-11
Camshaft(s).....	B-10
Carburetor.....	C-7/C-8/C-9
Chassis Electrical Equipment.....	E-13
Clutch.....	B-13
Crankcase.....	C-5
Crankshaft.....	B-11
Cylinder.....	B-5
Cylinder Head.....	B-3
Cylinder Head Cover.....	B-4
Decals.....	F-4
Engine Cover(s).....	C-6
Engine Mount.....	D-4
Fenders.....	D-9
Footrests.....	D-8
Frame.....	D-3
Frame Fittings.....	D-5
Front Brake.....	E-5
Front Fork.....	E-9
Front Hub.....	D-12
Front Master Cylinder.....	E-4
Fuel Tank.....	E-10
Gear Change Drum.....	C-3

Gear Change Mechanism.....	C-4
Generator.....	C-11
Handlebar.....	E-8
Ignition System.....	C-12
Kickstarter Mechanism.....	B-12
Labels.....	F-3
Manual.....	F-6
Muffler(s).....	B-7
Oil Pump.....	C-10
Owner's Tools.....	E-14
Piston(s).....	B-5
Radiator.....	C-14
Rear Brake.....	E-7
Rear Hub.....	D-13
Rear Master Cylinder.....	E-6
Shift Fork(s).....	C-3
Shock Absorber(s).....	E-3
Side Covers.....	E-12
Stand(s).....	D-10
Suspension.....	D-7
Swingarm.....	D-6
Tensioner.....	B-10
Tires.....	D-11
Transmission.....	B-14
Valve(s).....	B-8/B-9
Water Pump.....	C-13

This catalog covers:

'10 KX250XAFB

GRID NO.

**F-16**

This grid covers:

**Part Name Index**

Accessory.....	F-5
Air Cleaner.....	B-6
Brake Pedal.....	D-14
Cables.....	E-11
Camshaft(s).....	B-10
Carburetor.....	C-7/C-8/C-9
Chassis Electrical Equipment.....	E-13
Clutch.....	B-13
Crankcase.....	C-5
Crankshaft.....	B-11
Cylinder.....	B-5
Cylinder Head.....	B-3
Cylinder Head Cover.....	B-4
Decals.....	F-4
Engine Cover(s).....	C-6
Engine Mount.....	D-4
Fenders.....	D-9
Footrests.....	D-8
Frame.....	D-3
Frame Fittings.....	D-5
Front Brake.....	E-5
Front Fork.....	E-9
Front Hub.....	D-12
Front Master Cylinder.....	E-4
Fuel Tank.....	E-10
Gear Change Drum.....	C-3

Gear Change Mechanism.....	C-4
Generator.....	C-11
Handlebar.....	E-8
Ignition System.....	C-12
Kickstarter Mechanism.....	B-12
Labels.....	F-3
Manual.....	F-6
Muffler(s).....	B-7
Oil Pump.....	C-10
Owner's Tools.....	E-14
Piston(s).....	B-5
Radiator.....	C-14
Rear Brake.....	E-7
Rear Hub.....	D-13
Rear Master Cylinder.....	E-6
Shift Fork(s).....	C-3
Shock Absorber(s).....	E-3
Side Covers.....	E-12
Stand(s).....	D-10
Suspension.....	D-7
Swingarm.....	D-6
Tensioner.....	B-10
Tires.....	D-11
Transmission.....	B-14
Valve(s).....	B-8/B-9
Water Pump.....	C-13