

This catalog covers:

'06~'08 KX250 R6F/R7F/R8F

GRID NO.

A-1

This grid covers:

Title



PARTS CATALOG

'06~'08 KX250 R6F/R7F/R8F

(KX250)

Publications	A-2
Model Identification	A-4
Engine	B-1
Chassis	D-1

© Kawasaki Heavy Industries, Ltd. 2007

Engine No. Location:

RH side crankcase, beside carburetor

Year & Model

'06 KX250R6F

'07 KX250R7F

'08 KX250R8F

Color

1. Lime Green (777)

1. Lime Green (777)

1. Lime Green (777)

VIN No. Range

JKAKX250RRA006001 ~ 010000

JKAKX250RRA010001 ~ 013000

JKAKX250RRA013001 ~

JKAKXMRC√6A006001 ~ 010000 (Australia only)

JKAKXMRC√7A010001 ~ 013000 (Australia only)

JKAKXMRC√8A013001 ~ (Australia only)

Engine No. Range

KX250RE000001 ~

KX250RE000001 ~

KX250RE000001 ~

This catalog covers:

'06~'08 KX250 R6F/R7F/R8F

GRID NO.

A-2

This grid covers:

Publications

Year & Model	Owner's Manual	A&P Manual		Service Manual		Microfiche
		General	Supplement	Basic	Supplement	
2006 KX250R6F	99976-1256 99986-1299(Australia only)	99939-1310-02		99924-1340-03		99912-1339-03
2007 KX250R7F	99976-1310 99986-1361(Australia only)	See above		99924-1340-04		See above
2008 KX250R8F	99976-1389(EN/FR/DE) 99976-1390(IT/ES/NL) 99986-1418(Australia only)	See above		99924-1340-05		See above

This catalog covers:

'06~'08 KX250 R6F/R7F/R8F

GRID NO.

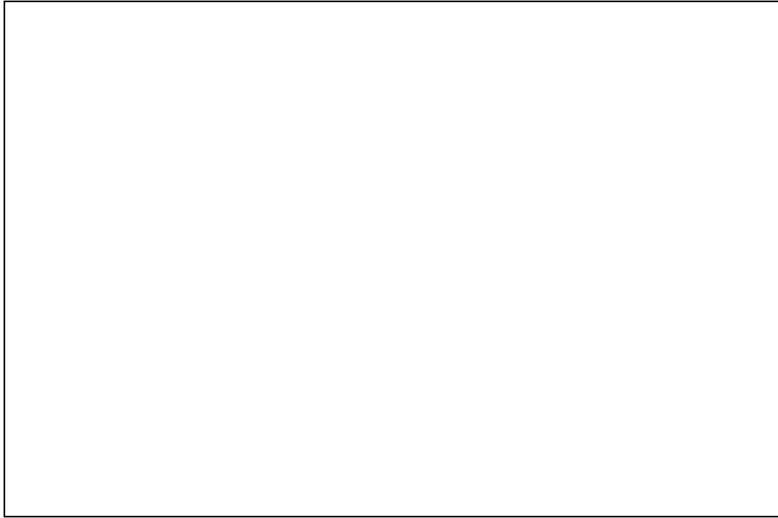
A-4

This grid covers:

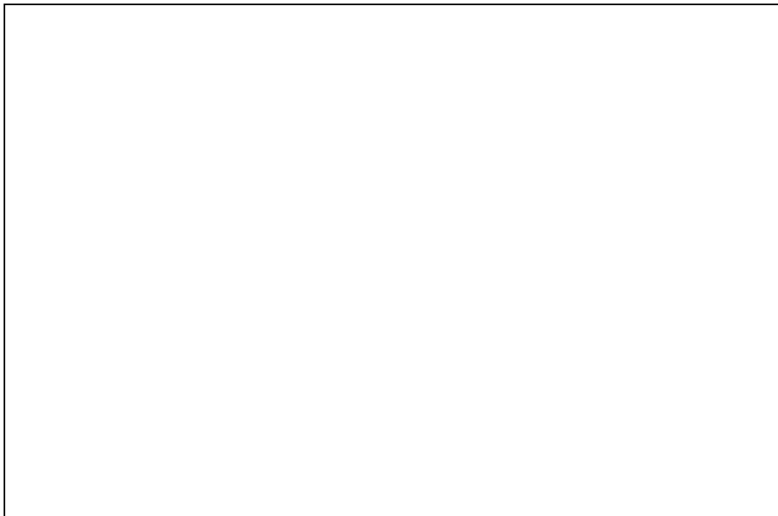
Model I.D. '06~'07 KX250 R6F/R7F

KX250R6F

Left Side View

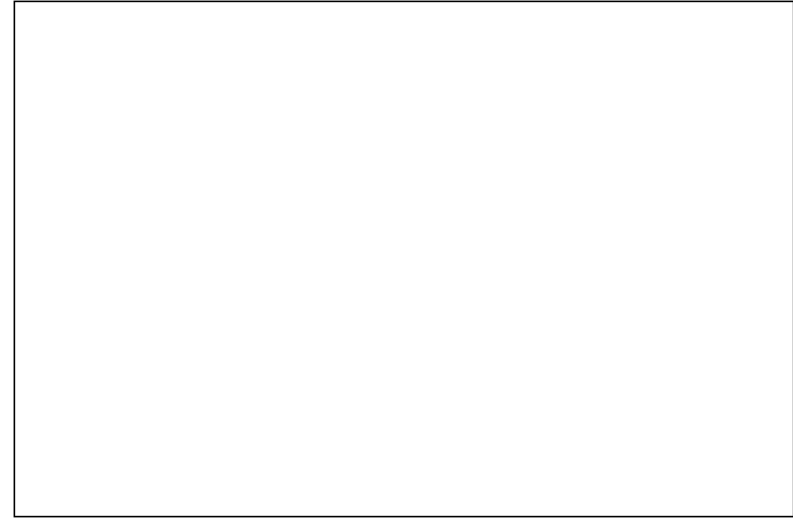


Right Side View



KX250R7F

Left Side View



Right Side View



This catalog covers:

'06~'08 KX250 R6F/R7F/R8F

GRID NO.

A-5

This grid covers:

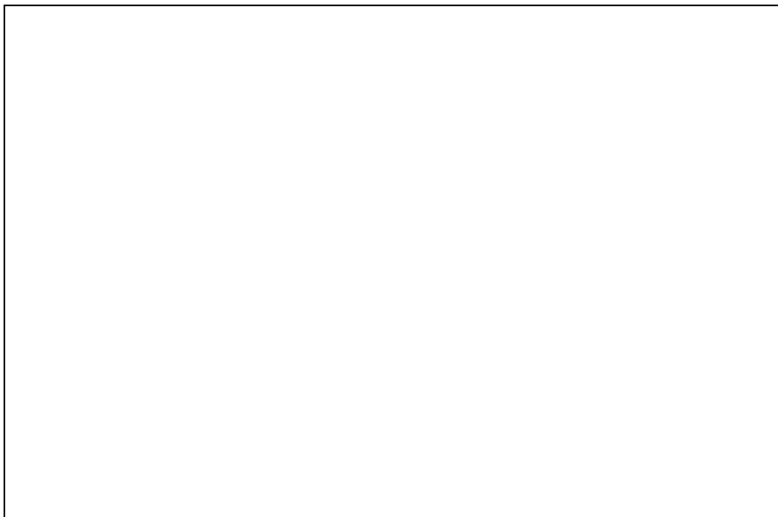
Model I.D. '08 KX250R8F

KX250R8F

Left Side View



Right Side View



This catalog covers:

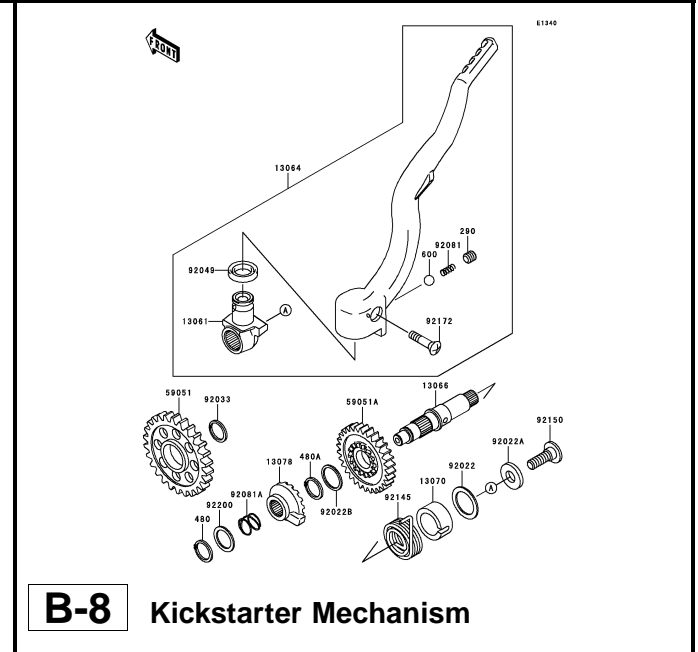
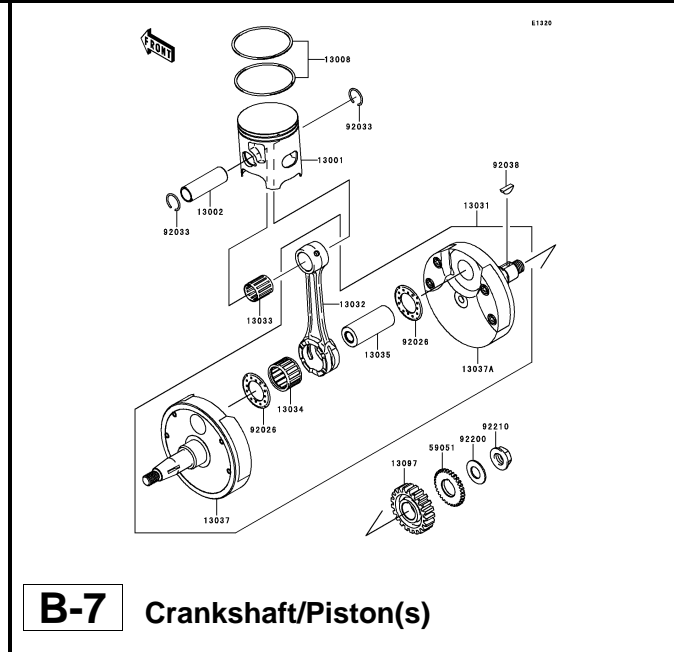
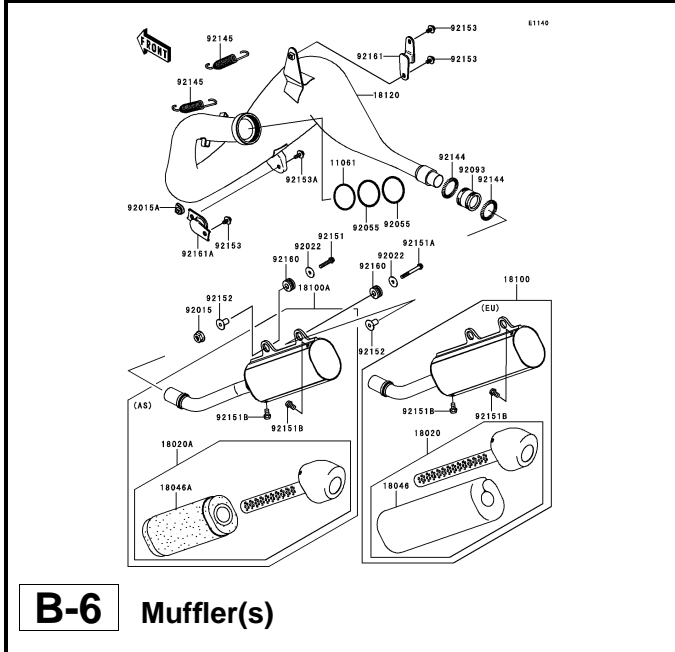
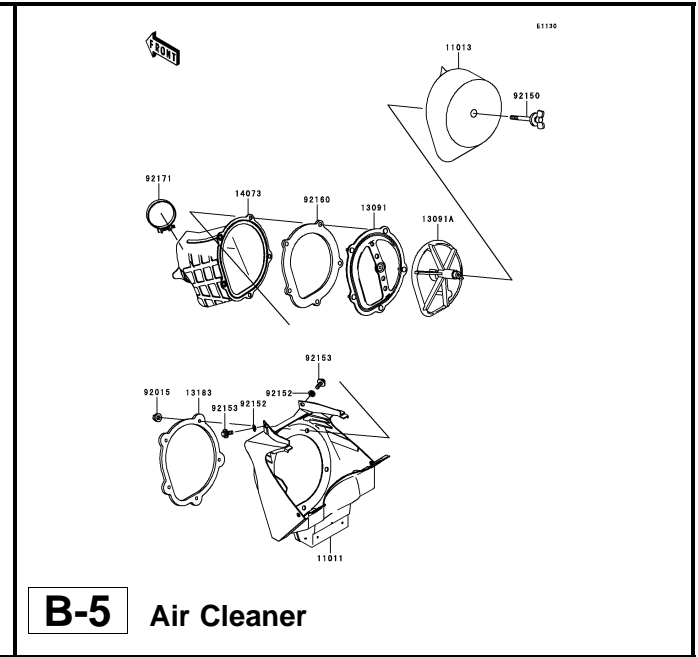
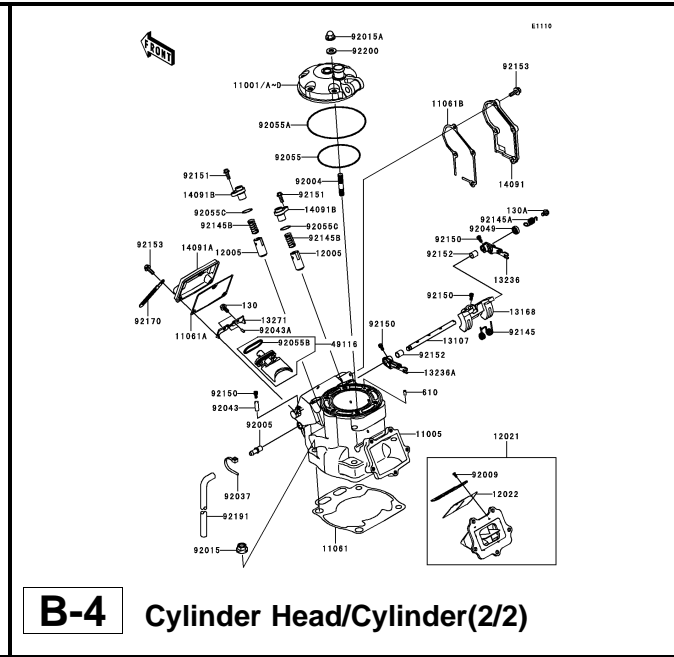
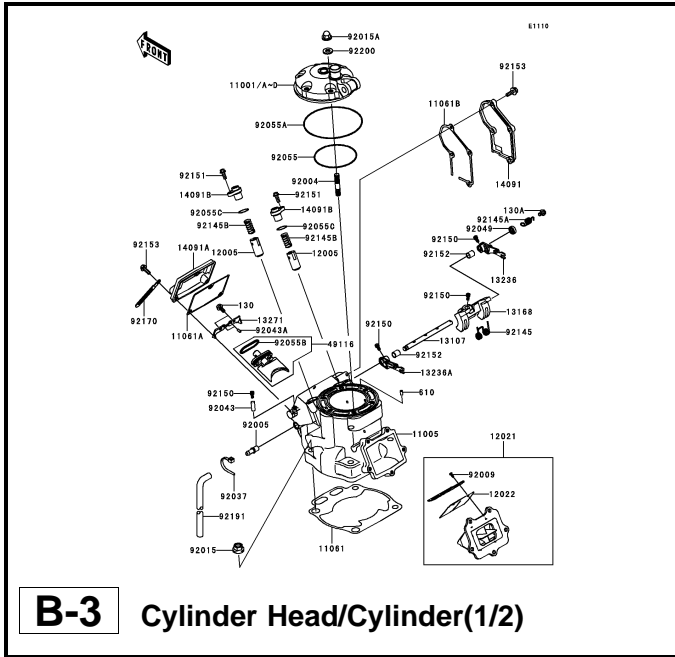
'06~'08 KX250 R6F/R7F/R8F Engine

GRID NO.

B-1

This grid covers:

Pictorial Index



This catalog covers:

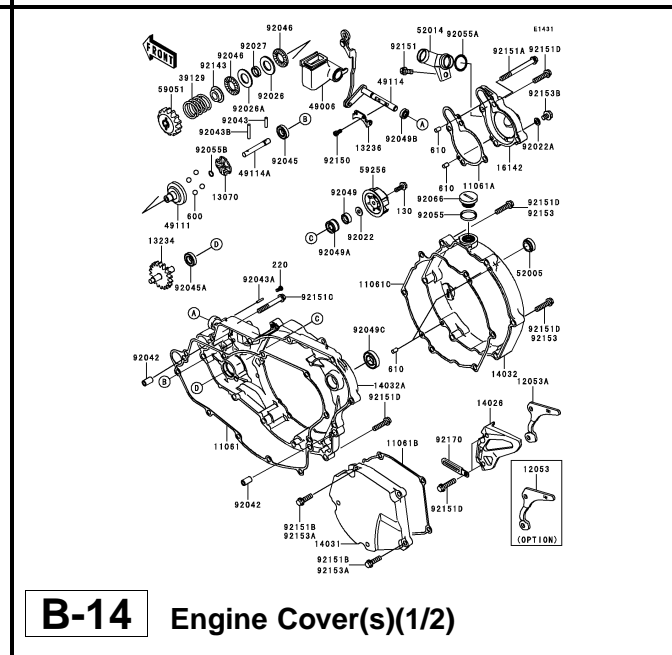
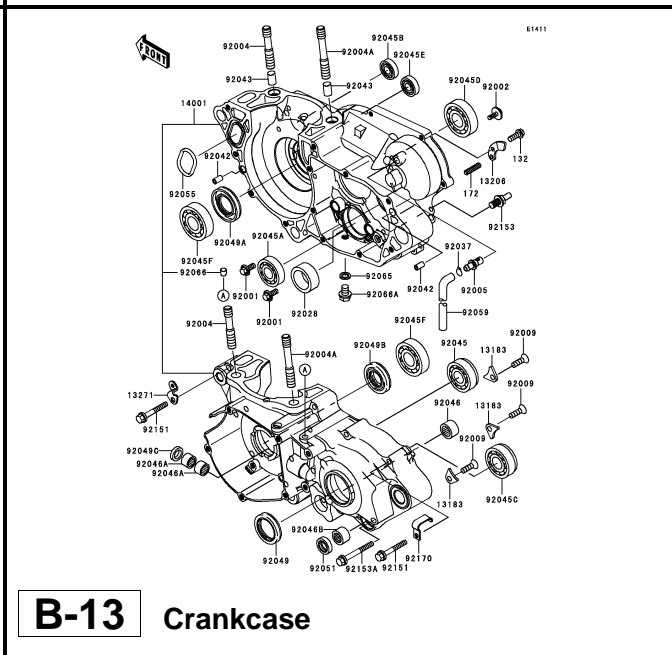
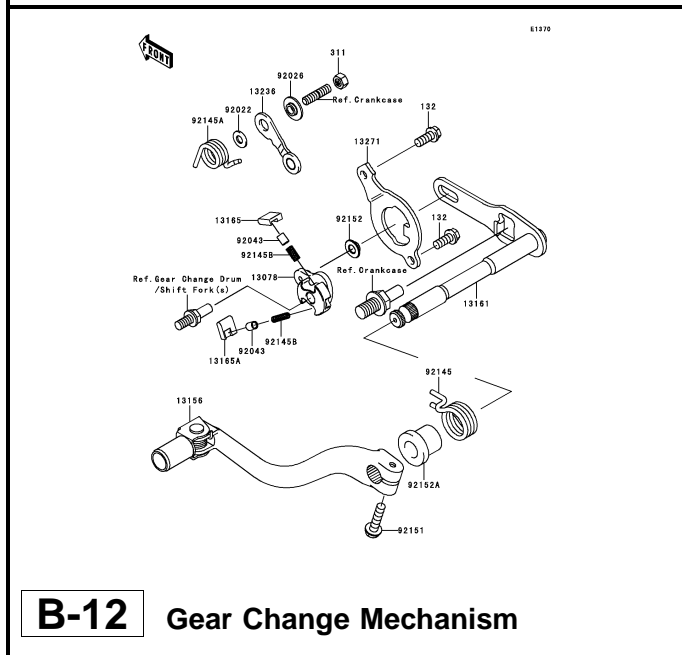
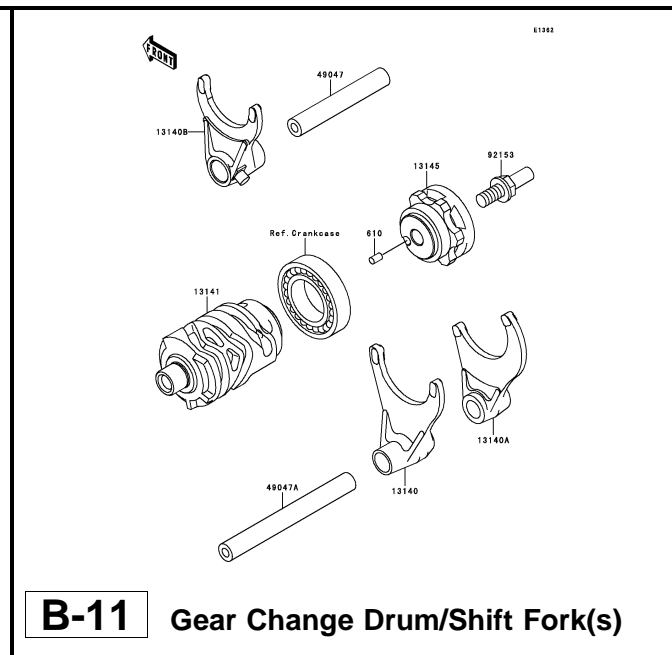
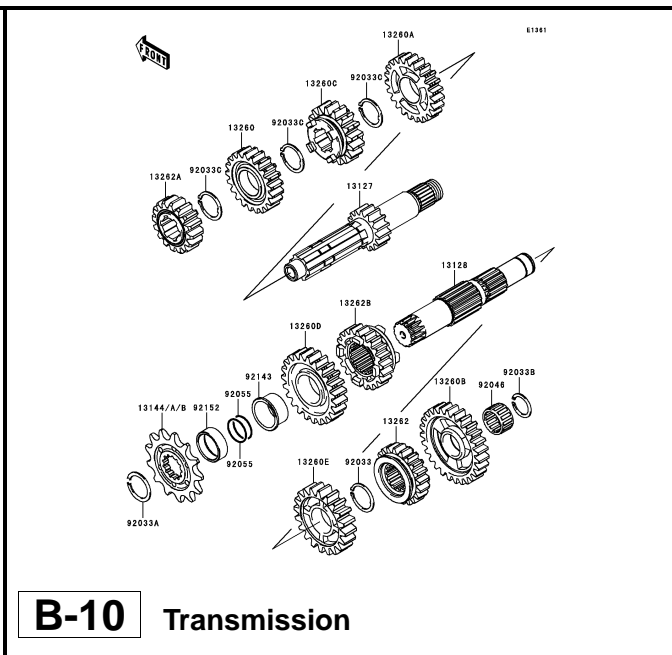
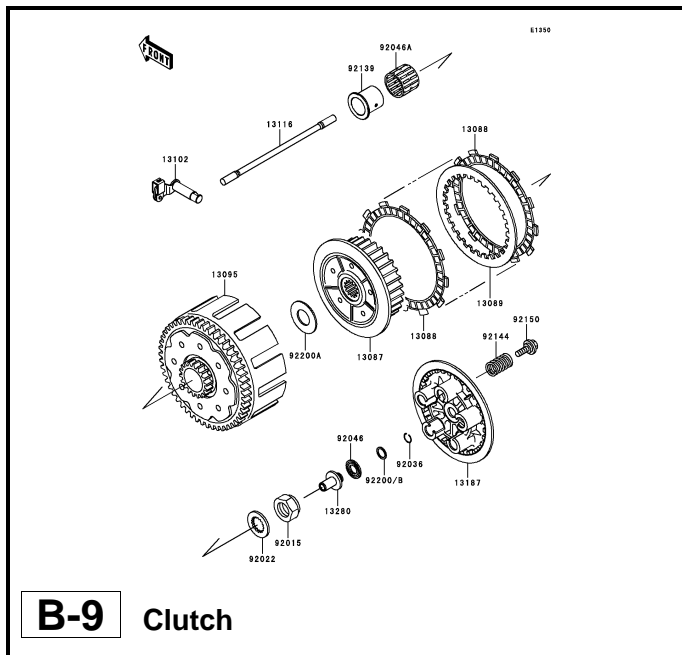
'06~'08 KX250 R6F/R7F/R8F Engine

GRID NO.

B-2

This grid covers:

Pictorial Index



This catalog covers:

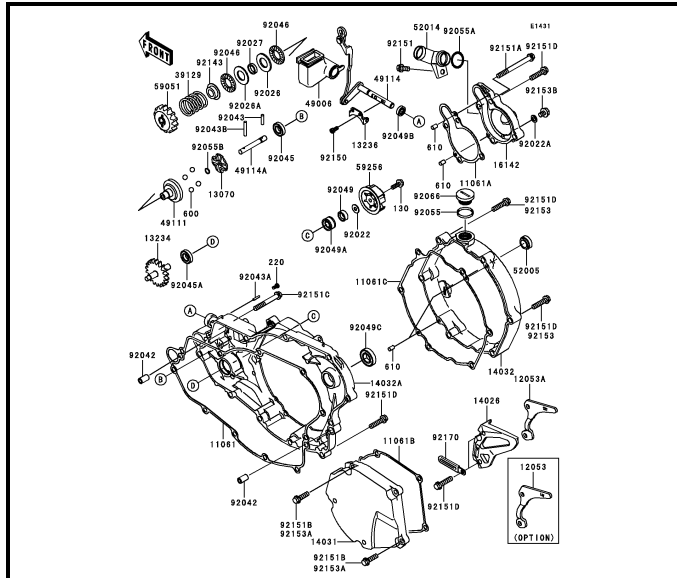
'06~'08 KX250 R6F/R7F/R8F Engine

GRID NO.

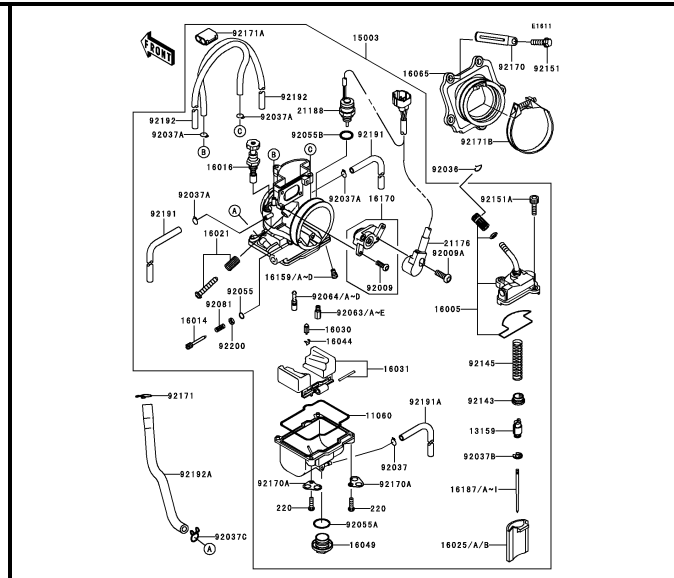
C-1

This grid covers:

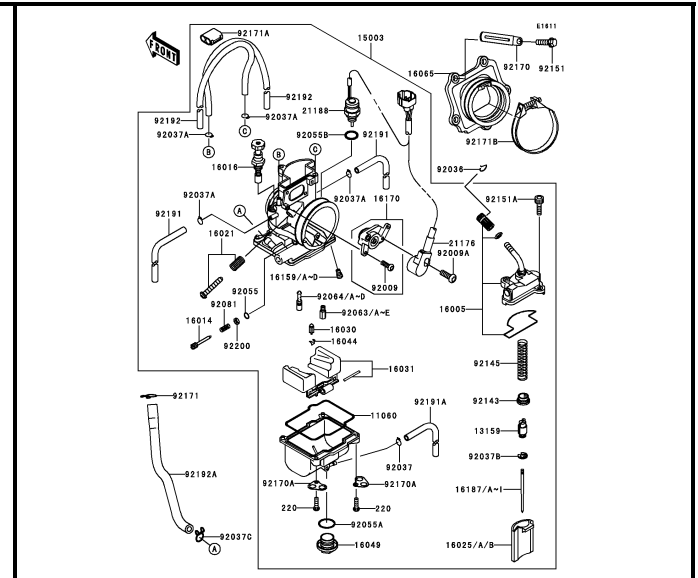
Pictorial Index



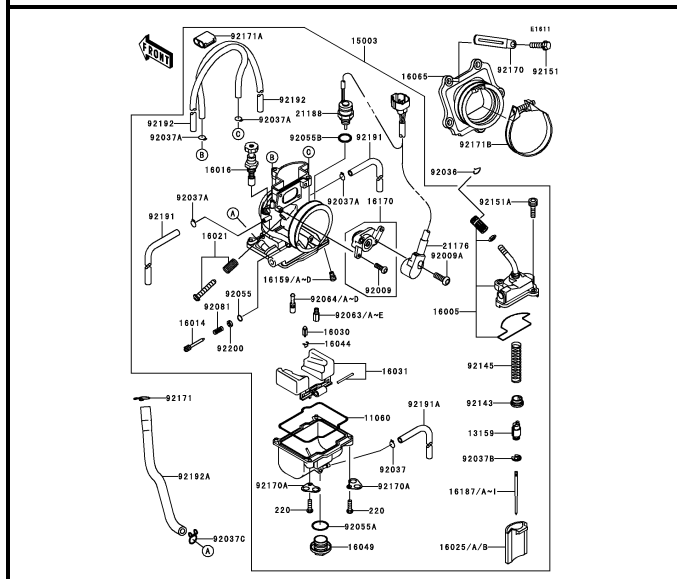
C-3 Engine Cover(s)(2/2)



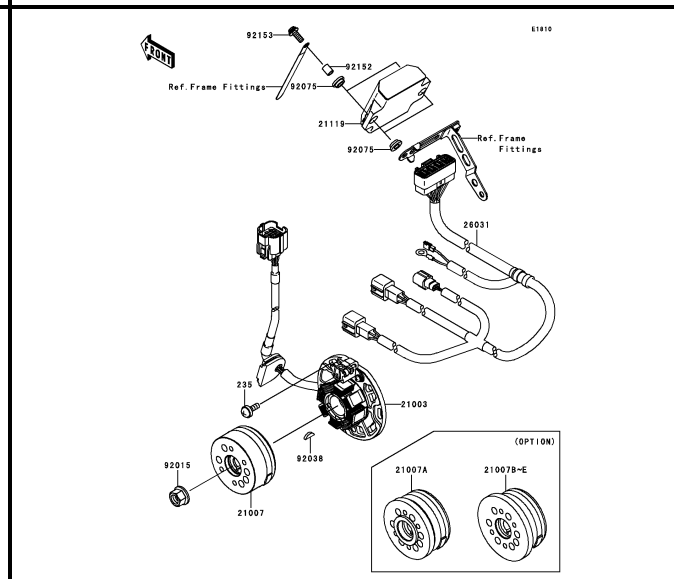
C-4 Carburetor(1/3)



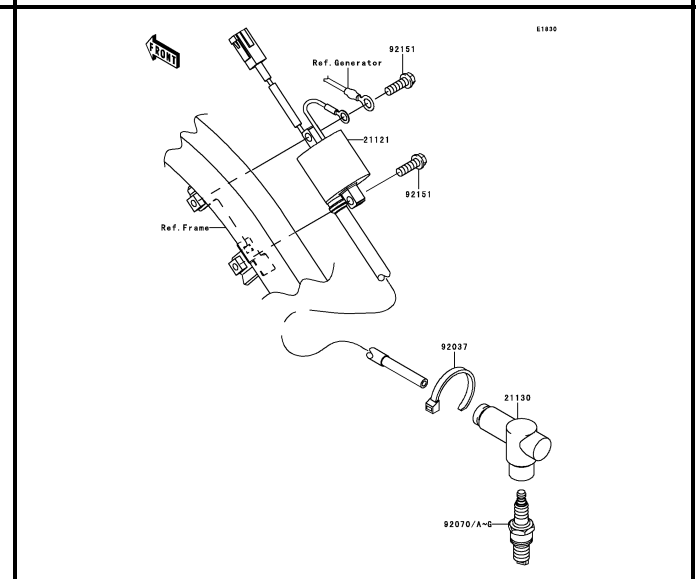
C-5 Carburetor(2/3)



C-6 Carburetor(3/3)



C-7 Generator



C-8 Ignition System

This catalog covers:

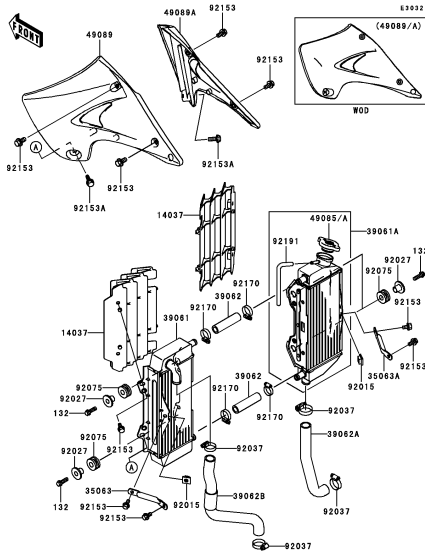
'06~'08 KX250 R6F/R7F/R8F Engine

GRID NO.

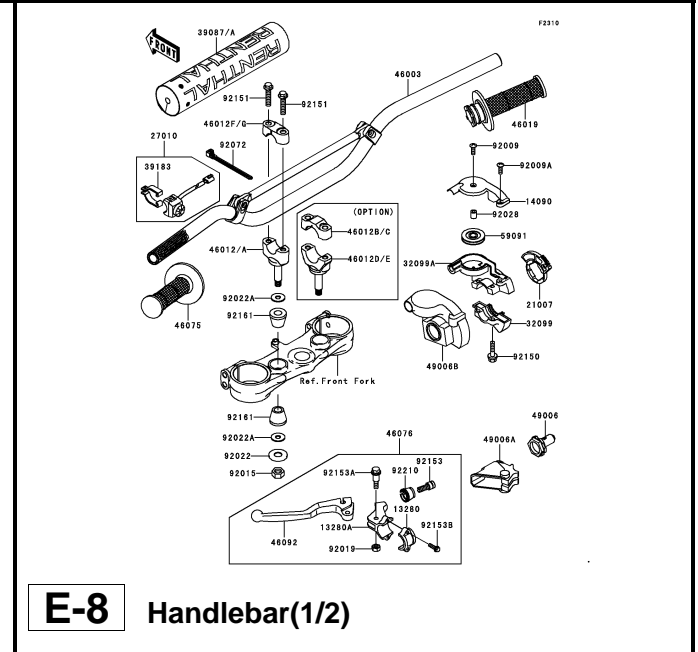
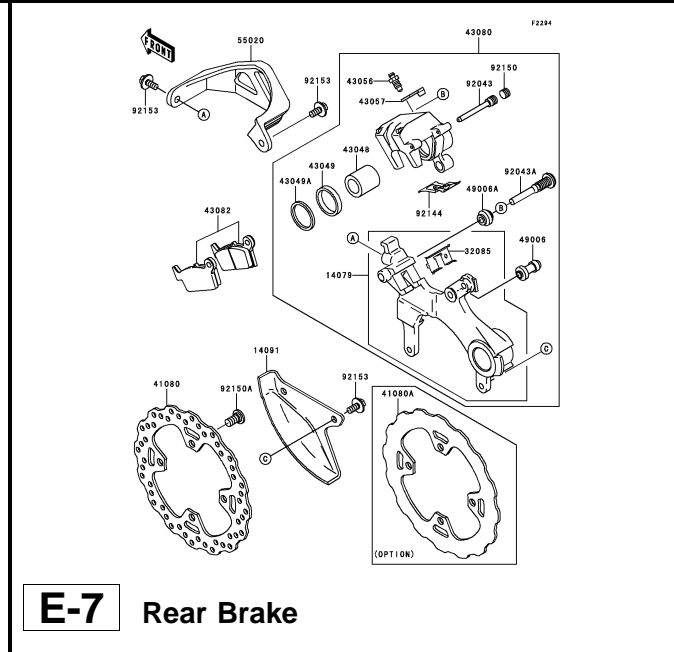
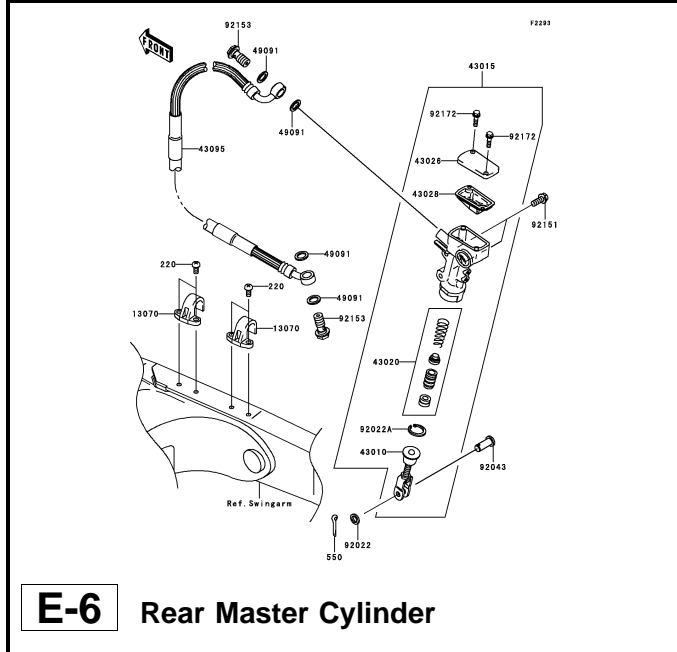
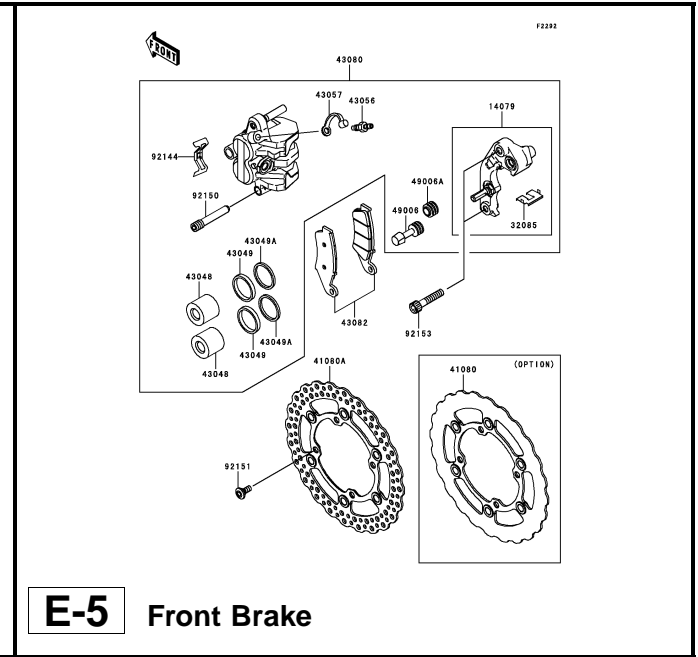
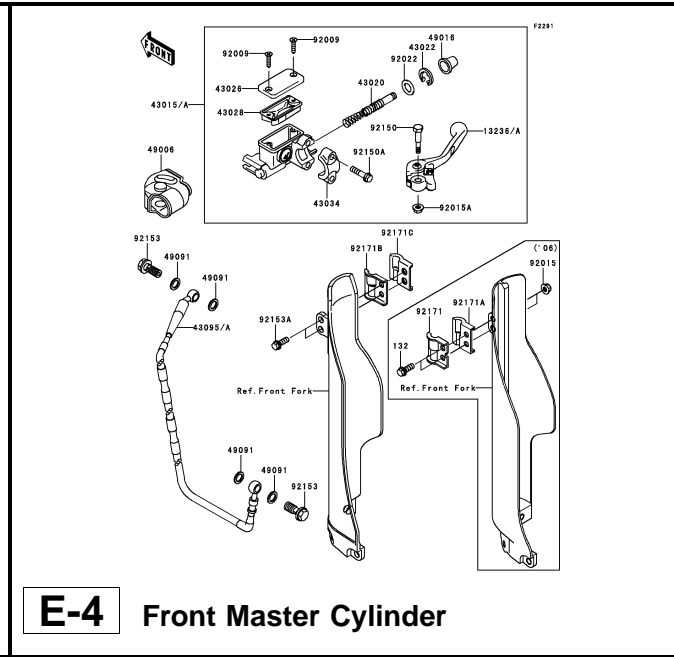
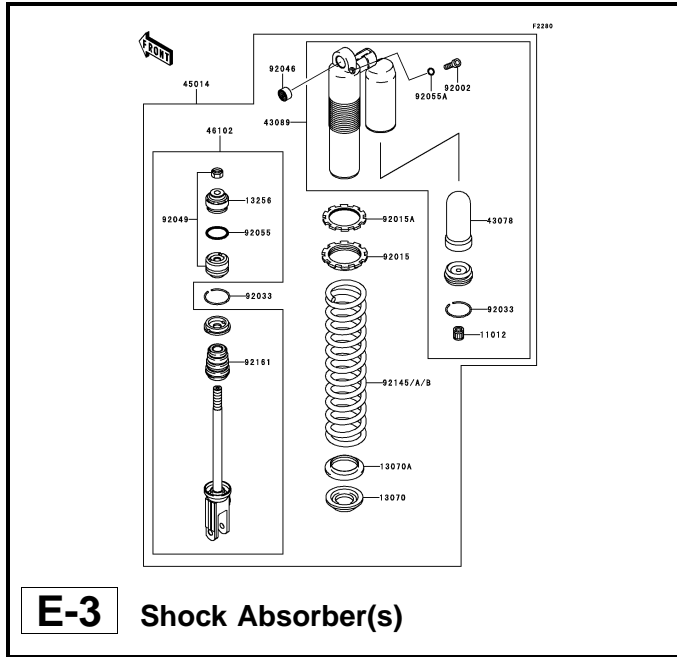
C-2

This grid covers:

Pictorial Index



C-9 Radiator



This catalog covers:

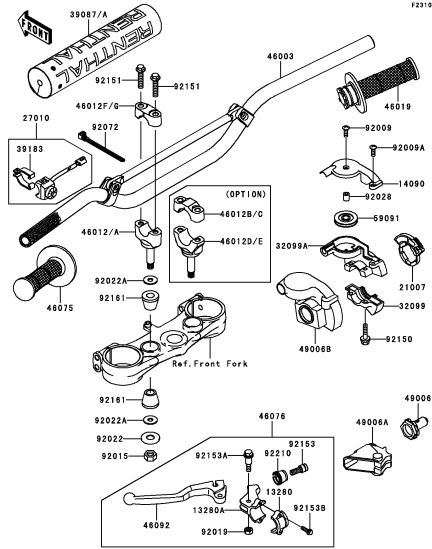
'06~'08 KX250 R6F/R7F/R8F Chassis

GRID NO.

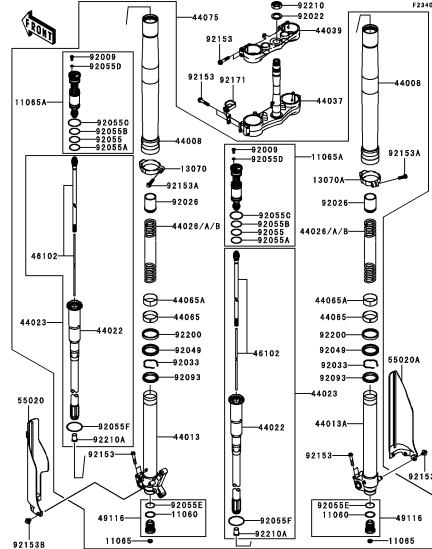
E-2

This grid covers:

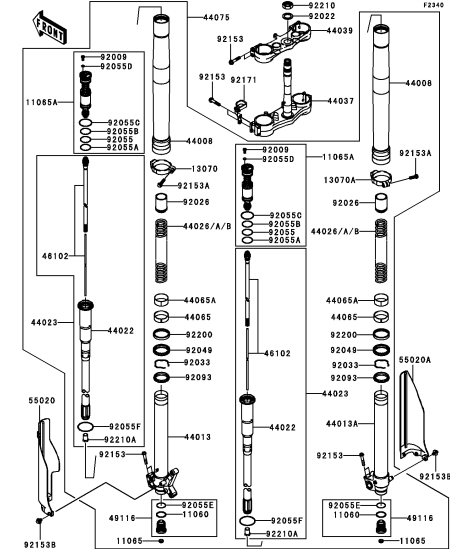
Pictorial Index



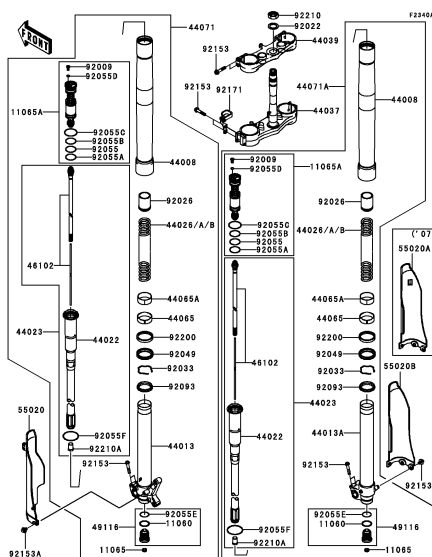
E-9 Handlebar(2/2)



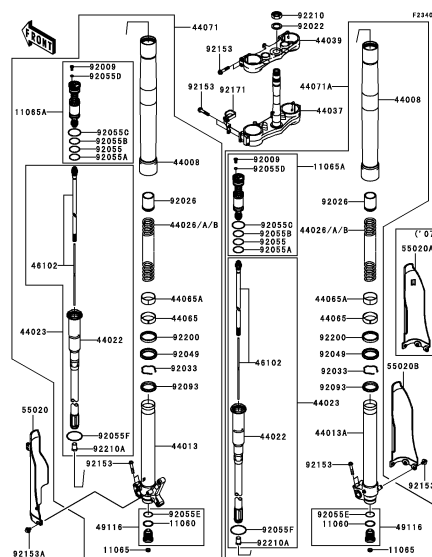
E-10 Front Fork(1/2)(R6F)



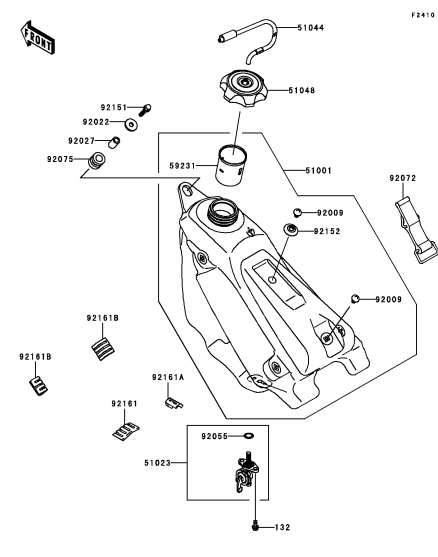
E-11 Front Fork(2/2)(R6F)



E-12 Front Fork(1/2)(R7F/R8F)



E-13 Front Fork(2/2)(R7F/R8F)



E-14 Fuel Tank

This catalog covers:

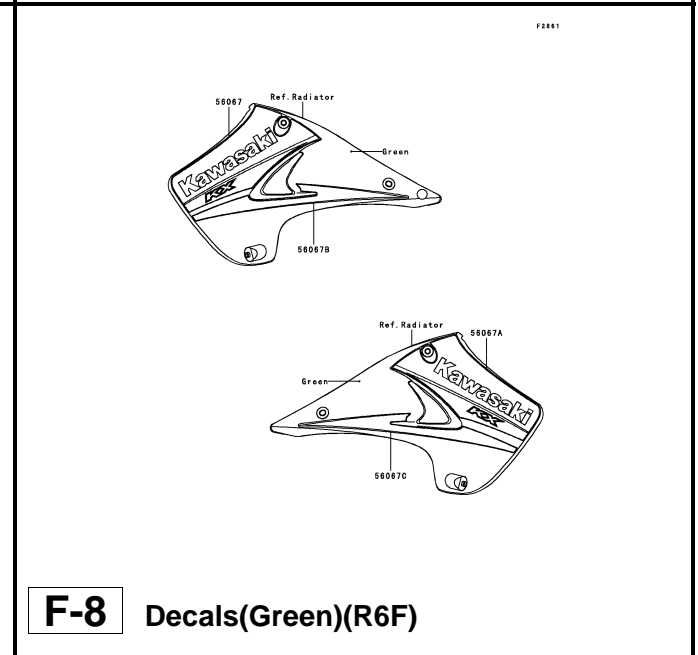
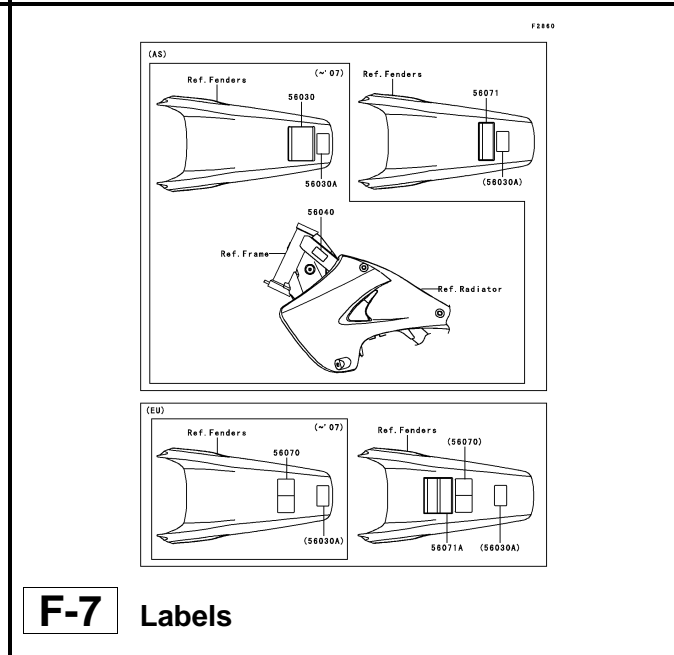
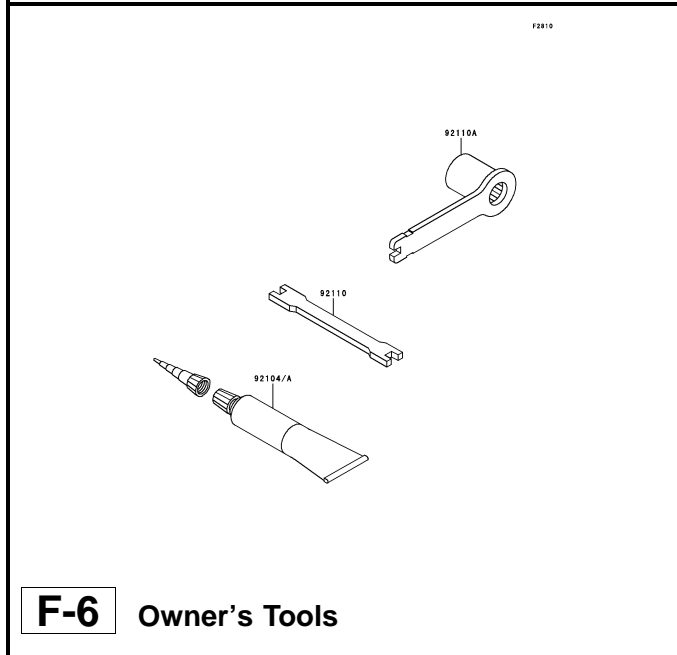
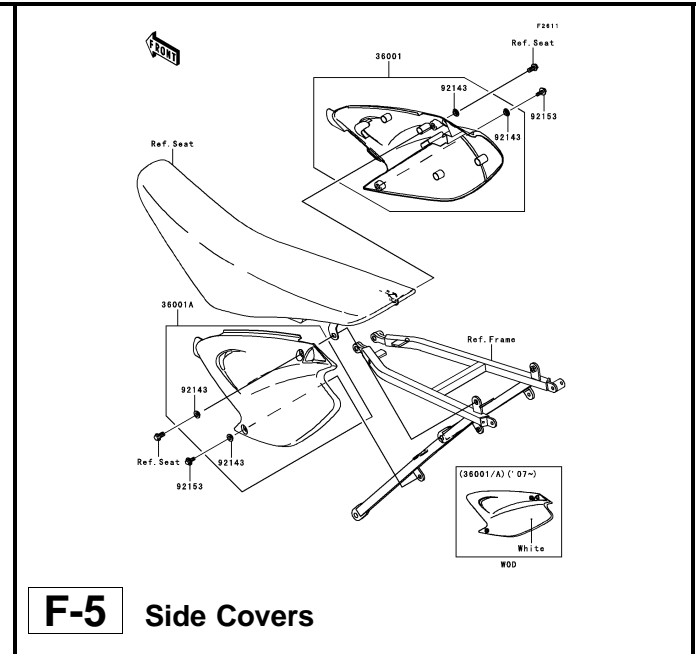
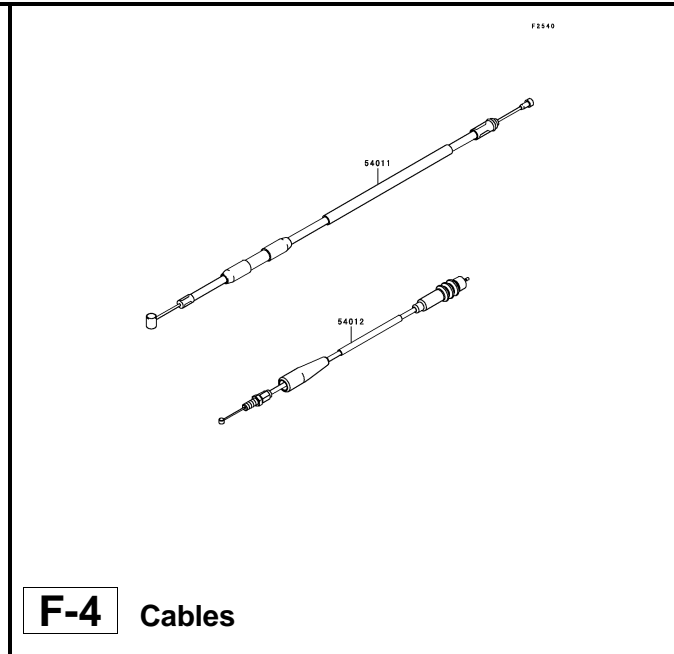
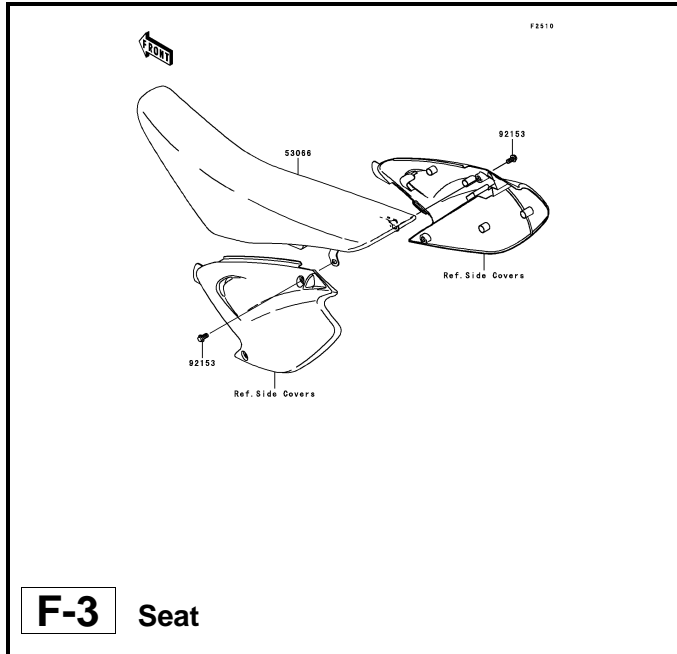
'06~'08 KX250 R6F/R7F/R8F Chassis

GRID NO.

F-1

This grid covers:

Pictorial Index



This catalog covers:

'06~'08 KX250 R6F/R7F/R8F Chassis

GRID NO.

F-2

This grid covers:

Pictorial Index

F2811A

Ref. Accessory
White
56067

Ref. Fenders
56052A
Green

Ref. Radiator
56052
Green

56067C/D

56067A/B
Green

Ref. Side Covers

F-9 Decals(Green)(R7F/R8F)

F2810

92153

56029

(56029)('07~)
White
W00

F-10 Accessory

F2920

Owner's Manual
(Local Procurement)

99976/A-C

Ref. No.	Language
(99976/A)	English
	French
	German
	Italian
(99976/B)	English
	French
	German
(99976/C)	Italian
	Spanish
	Dutch

Service Manual

99953
99954
99955

Ref. No.	Language
(99953)	German
(99954)	French
(99955)	Italian

A&P Manual

99946
99950
99951

Ref. No.	Language
(99946)	German
(99950)	French
(99951)	Italian

F-11 Manual(EU)

This catalog covers:

'06~'08 KX250 R6F/R7F/R8F Engine

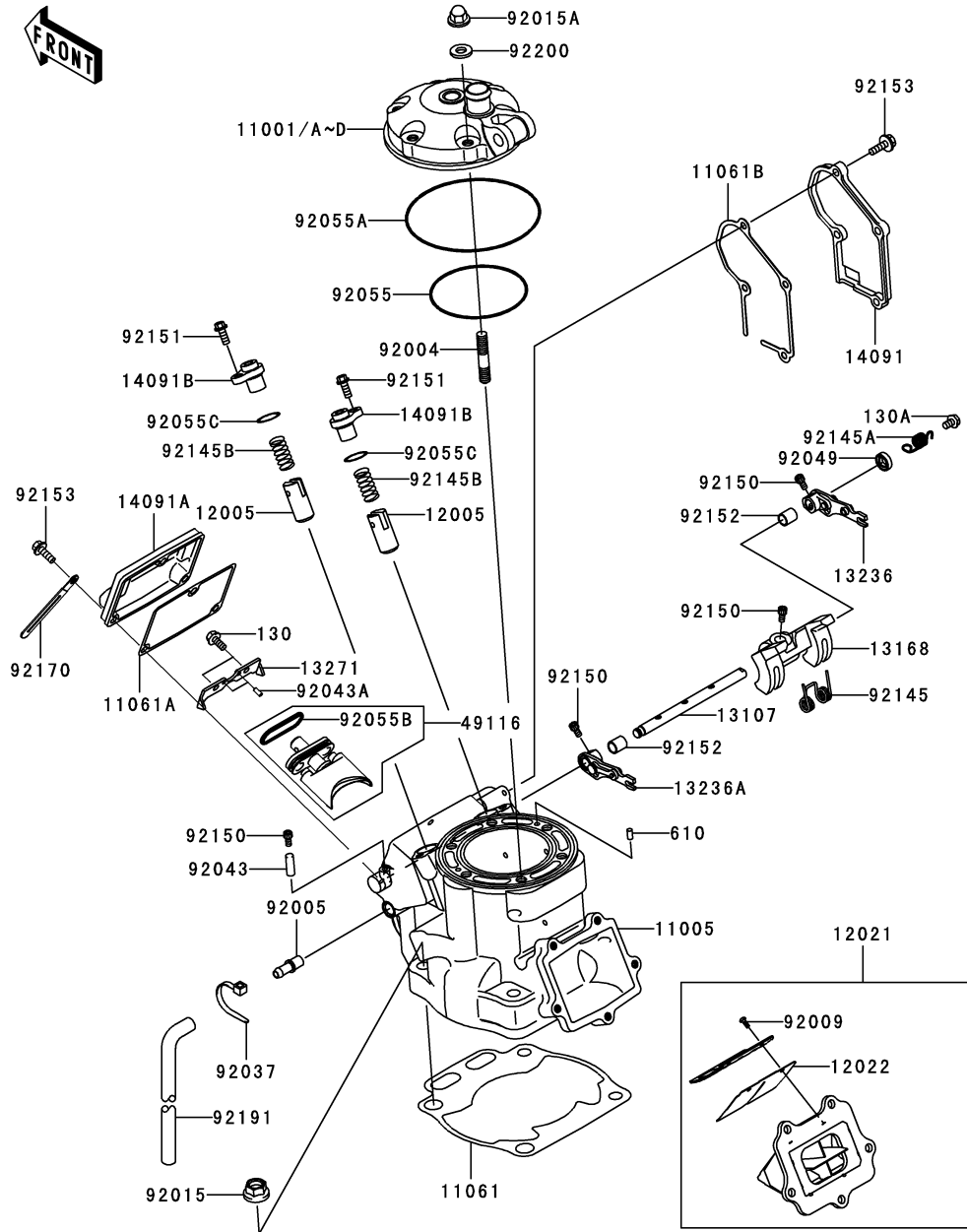
GRID NO.

B-3

This grid covers:

Cylinder Head/Cylinder(1/2)

E1110



Ref. No.	Part No.	Description	Spec Code	Quantity-KX250		
				'06	'07	'08
				R6F	R7F	R8F
11001	11001-0107	HEAD-CYLINDER				
	L-----		AS	1	1	1
11001A	11001-0108	HEAD-CYLINDER				
	L-----		EU	1		
11001B	11001-0108	HEAD-CYLINDER				
	L-----		AS	1	1	1
	(OPTION)					
11001C	11001-0109	HEAD-CYLINDER				
	L-----		EU	1	1	
11001D	11001-0109	HEAD-CYLINDER				
	L-----		EU	1		
	(OPTION)					
11005	11005-0054	CYLINDER-ENGINE		1	1	1
11061	11061-0091	GASKET,CYLINDER BASE		1	1	1
11061A	11061-0092	GASKET,CNT		1	1	1
11061B	11061-0093	GASKET,GOVERNOR COVER		1	1	1
12005	12005-0019	VALVE-EXHAUST,SUB		2	2	2
12021	12021-0014	VALVE-ASSY-REED		1	1	1
12022	12022-0004	VALVE-REED		2	2	2
13107	13107-0062	SHAFT		1	1	1
13168	13168-0058	LEVER,VALVE-ASSY,MAIN		1	1	1
13236	13236-0054	LEVER-COMP,RH		1	1	1
13236A	13236-0081	LEVER-COMP,LH		1	1	1
13271	13271-0518	PLATE		1	1	1
14091	14091-0215	COVER,RH		1	1	1
14091A	14091-0217	COVER,CNT		1	1	1
14091B	14091-0437	COVER,SUB VALVE		2	2	2
49116	49116-0007	VALVE-ASSY,MAIN		1	1	1
92004	92004-1110	STUD,8X28		6	6	6
92005	92005-1127	FITTING,BREATHER		1	1	1
92009	92009-1014	SCREW,REED VALVE		4	4	4
92015	92015-077	NUT,FLANGED,10MM		4	4	4
92015A	92015-1151	NUT,CAP,8MM		6	6	6
92037	92037-1173	CLAMP		1	1	1
92043	92043-0033	PIN,3X8.5		1	1	1
92043A	92043-0068	PIN,3X6.8		2	2	2
92049	92049-1238	SEAL-OIL,SD088144		1	1	1
92055	92055-0049	RING-O,73.9X1.9		1	1	1
92055A	92055-0050	RING-O,102X1.9		1	1	1
92055B	92055-0051	RING-O		1	1	1
92055C	92055-0058	RING-O,8.8X1.9		2	2	2
92145	92145-0180	SPRING		1	1	1

This catalog covers:

'06~'08 KX250 R6F/R7F/R8F Engine

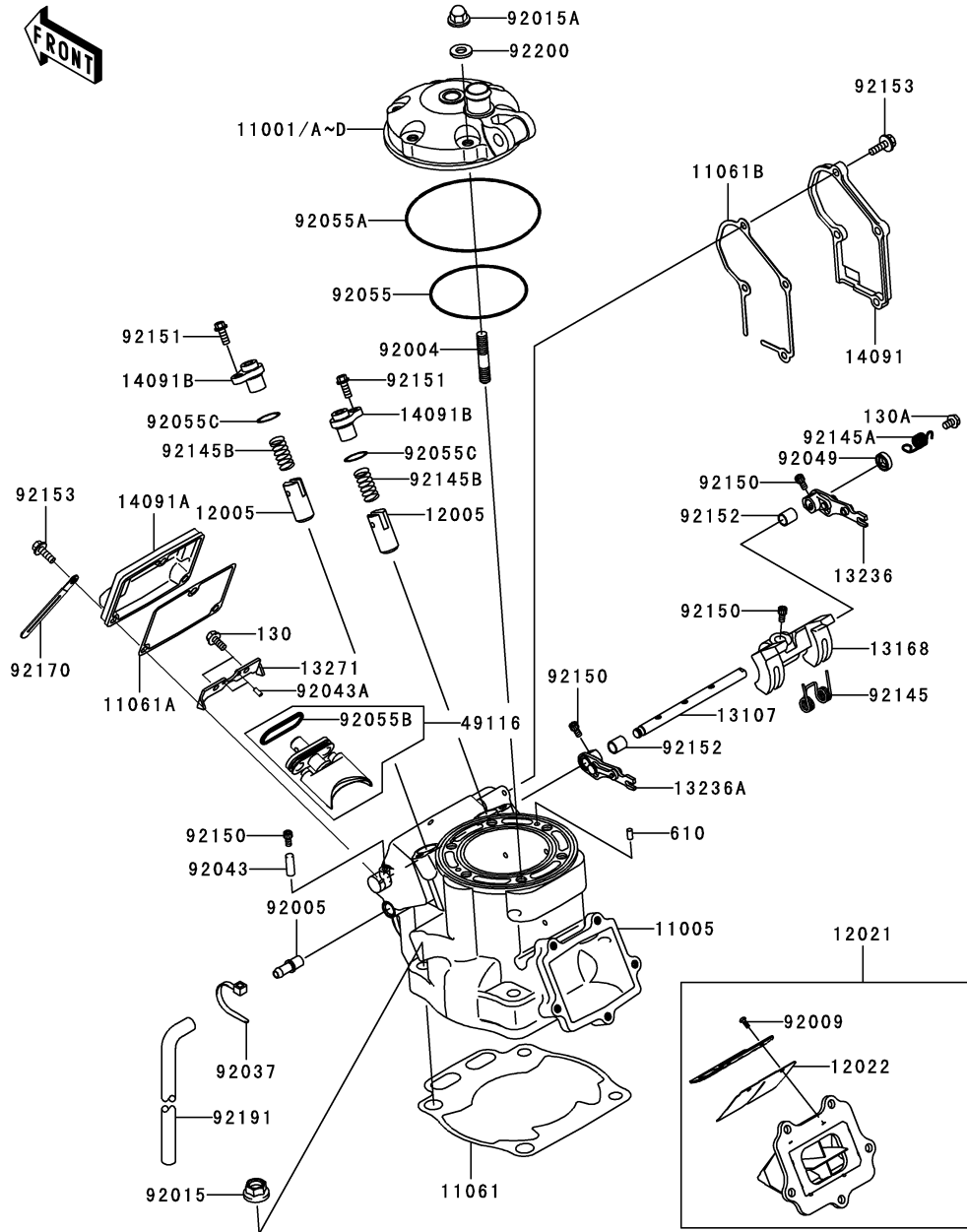
GRID NO.

B-4

This grid covers:

Cylinder Head/Cylinder(2/2)

E1110



Ref. No.	Part No.	Description	Quantity-KX250		
			'06	'07	'08
			R6F	R7F	R8F
92145A	92145-0284	SPRING,MAIN,VALVE	1	1	1
92145B	92145-0298	SPRING	2	2	2
92150	92150-1888	BOLT,SOCKET,4X8	4	4	4
92151	92151-1423	BOLT,6X14	2	2	2
92152	92152-0264	COLLAR,8.1X10.0X11.2	2	2	2
92153	92153-0859	BOLT,5X16	7	7	7
92170	92170-1514	CLAMP	1	1	1
92191	92191-1692	TUBE,5.8X10.8X225	1	1	1
92200	92200-0273	WASHER,HEAD	6	6	6
130	130G0512	BOLT-FLANGED,5X12	2	2	2
130A	130L0508	BOLT-FLANGED,5X8	1	1	1
610	610A0408	ROLLER,4X8	2	2	2

This catalog covers:

'06~'08 KX250 R6F/R7F/R8F Engine

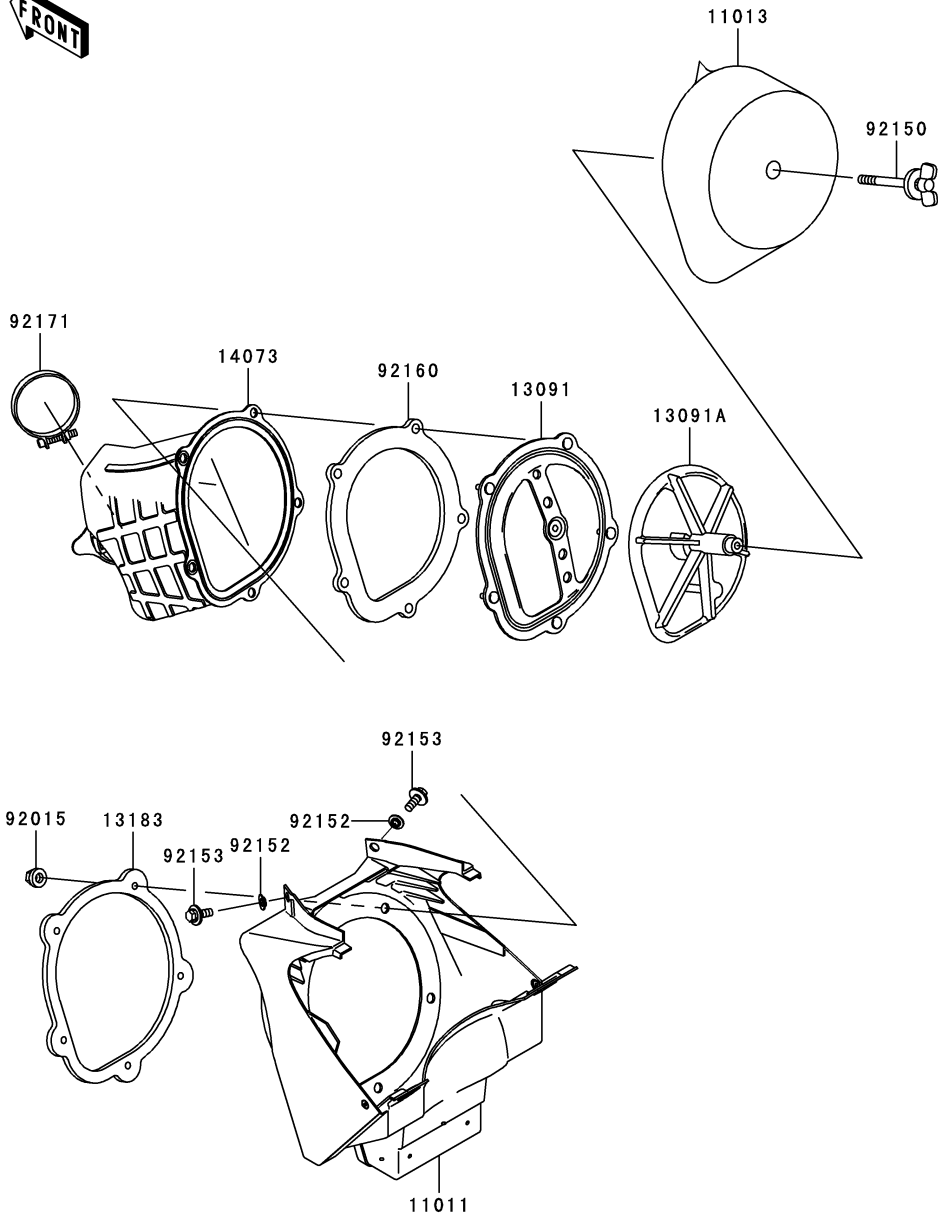
GRID NO.

B-5

This grid covers:

Air Cleaner

E1130



Ref. No.	Part No.	Description	Spec Code	Quantity-KX250				
				'06	'07	'08		
				R6F	R7F	R8F		
11011	11011-0048	CASE-AIR FILTER	1	1	1			
11013	11013-1264	ELEMENT-AIR FILTER	1	1	1			
13091	13091-1664	HOLDER	1	1	1			
13091A	13091-1708	HOLDER,ELEMENT	1	1	1			
13183	13183-1530	PLATE,DUCT FITTING	1	1	1			
14073	14073-0075	DUCT,AIR FILTER	1	1	1			
92015	92015-1259	NUT,FLANGED,5MM	5	5	5			
92150	92150-1565	BOLT,WING	1	1	1			
92152	92152-0275	COLLAR	2	2	2			
92153	92153-0863	BOLT,6X16	2	2	2			
92160	92160-1196	DAMPER,DUCT SEAL	1	1	1			
92171	92171-1066	CLAMP,AIR FILTER	1	1	1			

This catalog covers:

'06~'08 KX250 R6F/R7F/R8F Engine

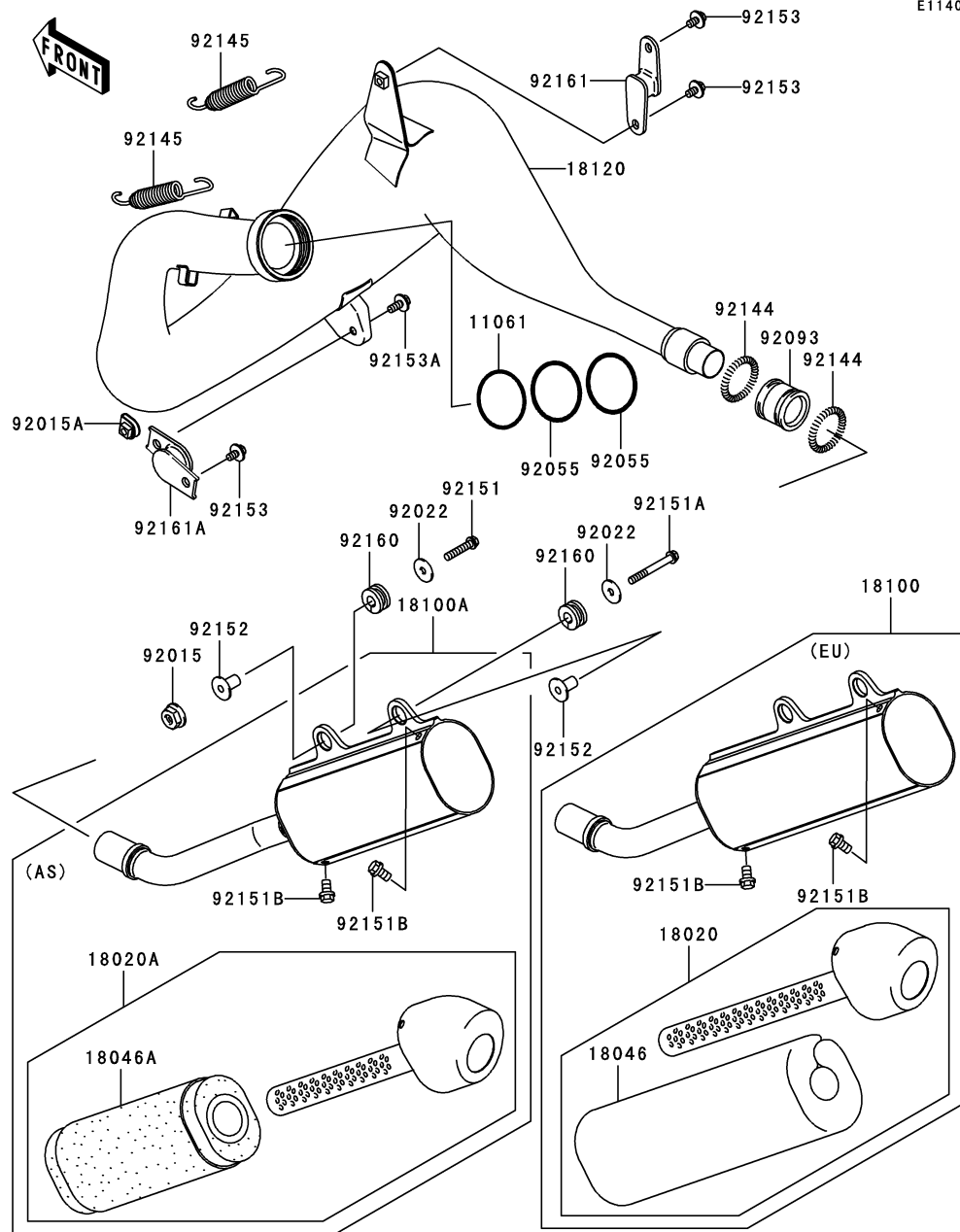
GRID NO.

B-6

This grid covers:

Muffler(s)

E1140



Ref. No.	Part No.	Description	Spec Code	Quantity-KX250		
				'06	'07	'08
				R6F	R7F	R8F
11061	11061-0142	GASKET,EX.CHAMBER	1	1	1	
18020	18020-0027	BAFFLE				
		L-----	EU	1	1	
18020A	18020-1294	BAFFLE				
		L-----	AS	1	1	
18046	18046-0052	WOOL				
		L-----	EU	1	1	
18046A	18046-1599	WOOL,BAFFLE PIPE				
		L-----	AS	1	1	
18100	18100-0019	BODY-ASSY-MUFFLER				
		L-----	EU	1	1	
18100A	18100-0023	BODY-ASSY-MUFFLER				
		L-----	AS	1	1	
18120	18120-0014	CHAMBER-EXHAUST	1	1	1	
92015	92015-1078	NUT,FLANGED,6MM	1	1	1	
92015A	92015-1904	NUT,CLIP,6MM	1	1	1	
92022	92022-237	WASHER,6.5X22X1.6	2	2	2	
92055	92055-0052	RING-O,53.6X2.8	2	2	2	
92093	92093-1328	SEAL,MUFFLER CONNECTING	1	1	1	
92144	92144-1204	SPRING	2	2	2	
92145	92145-0274	SPRING,EX.CHAMBER	2	2	2	
92151	92151-1134	BOLT,6X30	1	1	1	
92151A	92151-1234	BOLT,6X50	1	1	1	
92151B	92151-1822	BOLT,FLANGED,6X10	4	4	4	
92152	92152-1407	COLLAR	2	2	2	
92153	92153-0503	BOLT,6X12	3	3	3	
92153A	92153-0863	BOLT,6X16	1	1	1	
92160	92160-1913	DAMPER	2	2	2	
92161	92161-0228	DAMPER	1	1	1	
92161A	92161-1290	DAMPER	1	1	1	

This catalog covers:

'06~'08 KX250 R6F/R7F/R8F Engine

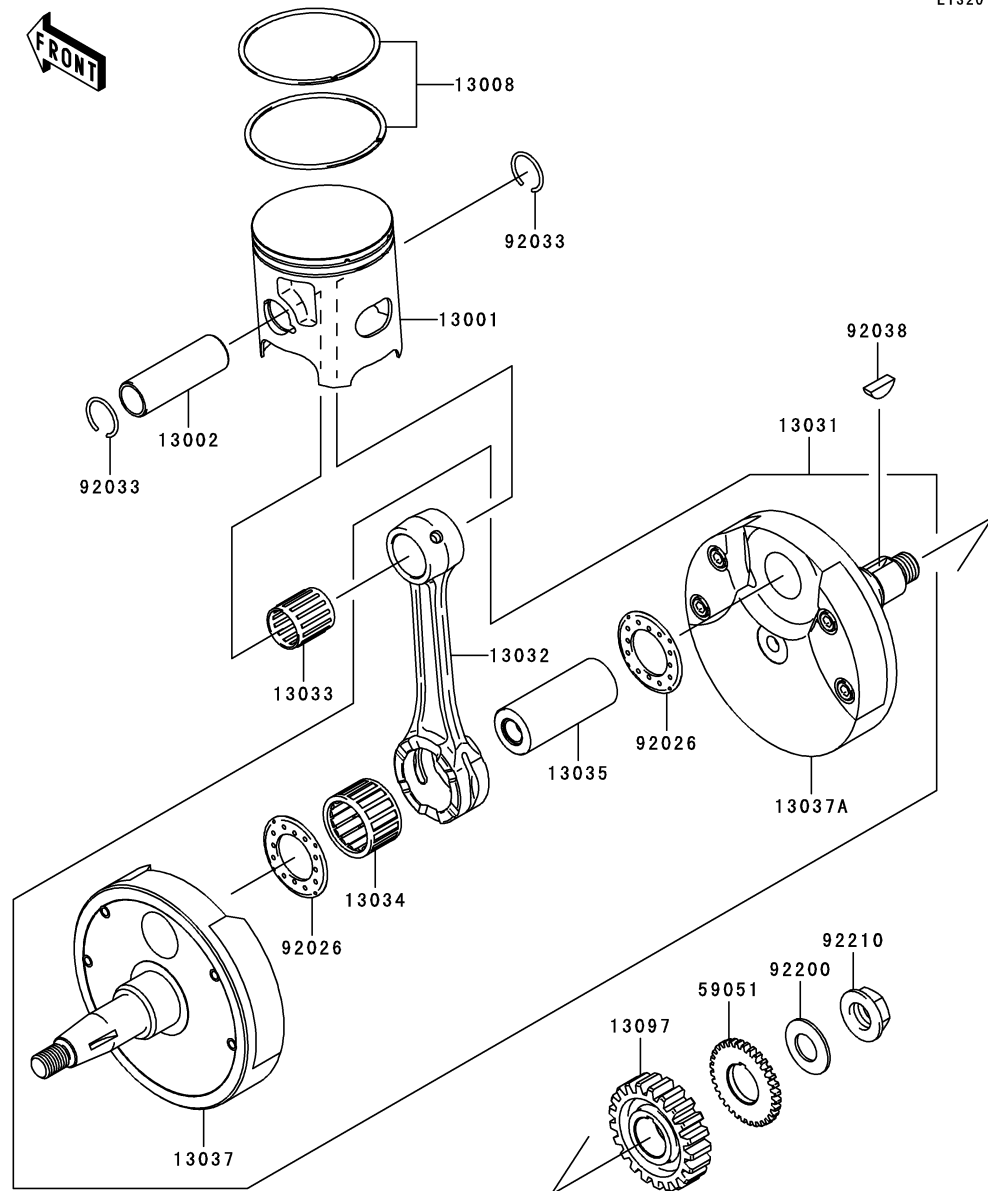
GRID NO.

B-7

This grid covers:

Crankshaft/Piston(s)

E1320



Ref. No.	Part No.	Description	Spec Code	Quantity-KX250		
				'06	'07	'08
				R6F	R7F	R8F
13001	13001-0058	PISTON-ENGINE,SIZE B	1	1	1	
13002	13002-1098	PIN-PISTON	1	1	1	
13008	13008-0013	RING-SET-PISTON	1	1	1	
13031	13031-0050	CRANKSHAFT-COMP	1	1	1	
13032	13032-1279	ROD-CONNECTING,WHITE	1	1	1	
13033	13033-1010	BEARING-NEEDLE,KBK18X22X23.8X	1	1	1	
13034	13034-0005	BEARING-BIG END,B4	1	1	1	
13035	13035-1089	PIN-CRANK	1	1	1	
13037	13037-0032	CRANKSHAFT,LH	1	1	1	
13037A	13037-0062	CRANKSHAFT,RH	1	1	1	
13097	13097-0039	GEAR-PRIMARY SPUR,21T	1	1	1	
59051	59051-0050	GEAR-SPUR,32T	1	1	1	
92026	92026-1607	SPACER,24X42X1.6	2	2	2	
92033	92033-1336	RING-SNAP,PISTON PIN	2	2	2	
92038	92038-0001	KEY,WOODRUFF	1	1	1	
92200	92200-0217	WASHER,14.2X28X1.5	1	1	1	
92210	92210-0216	NUT,14MM,LEFT HANDED	1	1	1	

This catalog covers:

'06~'08 KX250 R6F/R7F/R8F Engine

GRID NO.

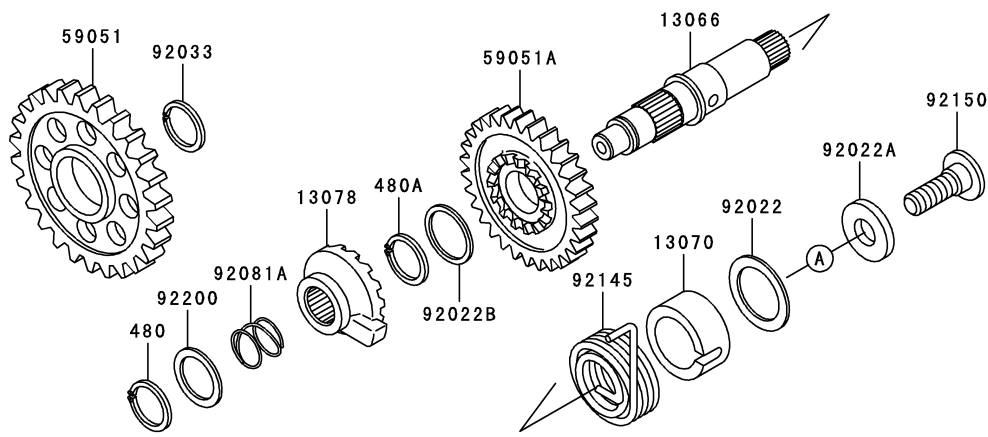
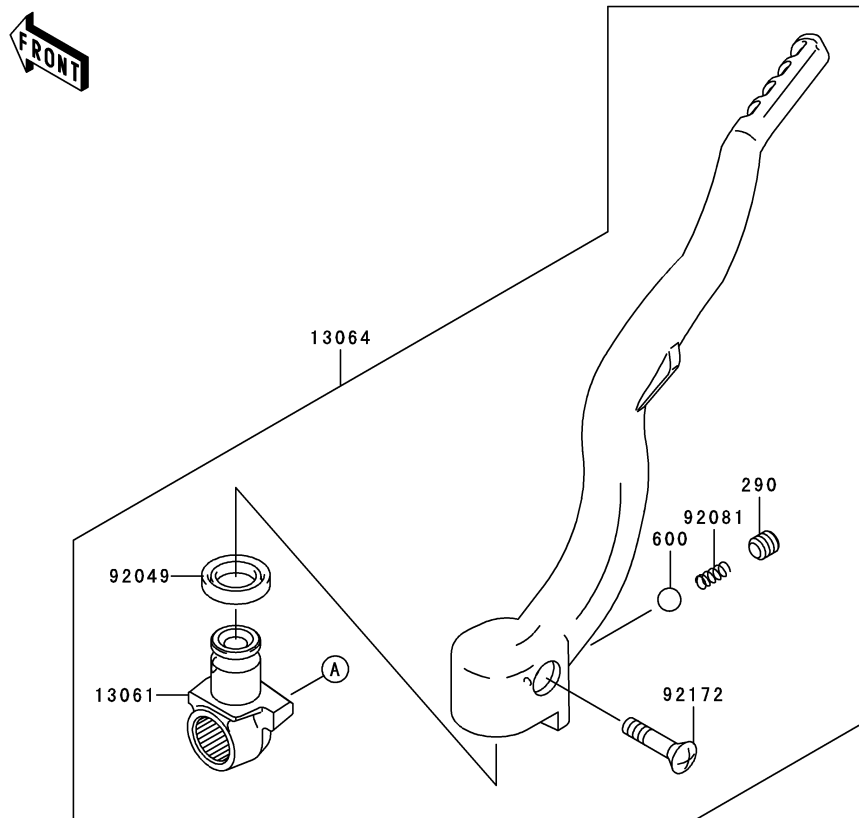
B-8

This grid covers:

Kickstarter Mechanism

E1340

Ref. No.	Part No.	Description	Spec Code	Quantity-KX250		
				'06	'07	'08
				R6F	R7F	R8F
13061	13061-0158	BOSS	1	1	1	
13064	13064-0036	LEVER-ASSY-KICK	1	1	1	
13066	13066-1107	SHAFT-KICK	1	1	1	
13070	13070-1378	GUIDE,KICK SPRING	1	1	1	
13078	13078-1063	RATCHET	1	1	1	
59051	59051-1271	GEAR,KICKSTARTER IDLE,26T	1	1	1	
59051A	59051-1339	GEAR-SPUR,KICK STARTER	1	1	1	
92022	92022-1885	WASHER,20.3X28.0X0.5	1	1	1	
92022A	92022-1944	WASHER,10X22X3.2	1	1	1	
92022B	92022-271	WASHER,18.3X22X0.5	1	1	1	
92033	92033-029	RING-SNAP,18MM	1	1	1	
92049	92049-1387	SEAL-OIL,KICK PEDAL	1	1	1	
92081	92081-020	SPRING,KICK PEDAL	1	1	1	
92081A	92081-122	SPRING,RATCHET	1	1	1	
92145	92145-1517	SPRING,KICKSTARTER	1	1	1	
92150	92150-1858	BOLT,8X25	1	1	1	
92172	92172-0203	SCREW,6X27	1	1	1	
92200	92200-1209	WASHER,KICKSHAFT	1	1	1	
290	290P0808	SCREW-SET-SOCKET,8X8	1	1	1	
480	480J1600	CIRCLIP-TYPE-C,16MM	1	1	1	
480A	480J1800	CIRCLIP-TYPE-C,18MM	1	1	1	
600	600A0800	BALL-STEEL,1/4"	1	1	1	



This catalog covers:

'06~'08 KX250 R6F/R7F/R8F Engine

GRID NO.

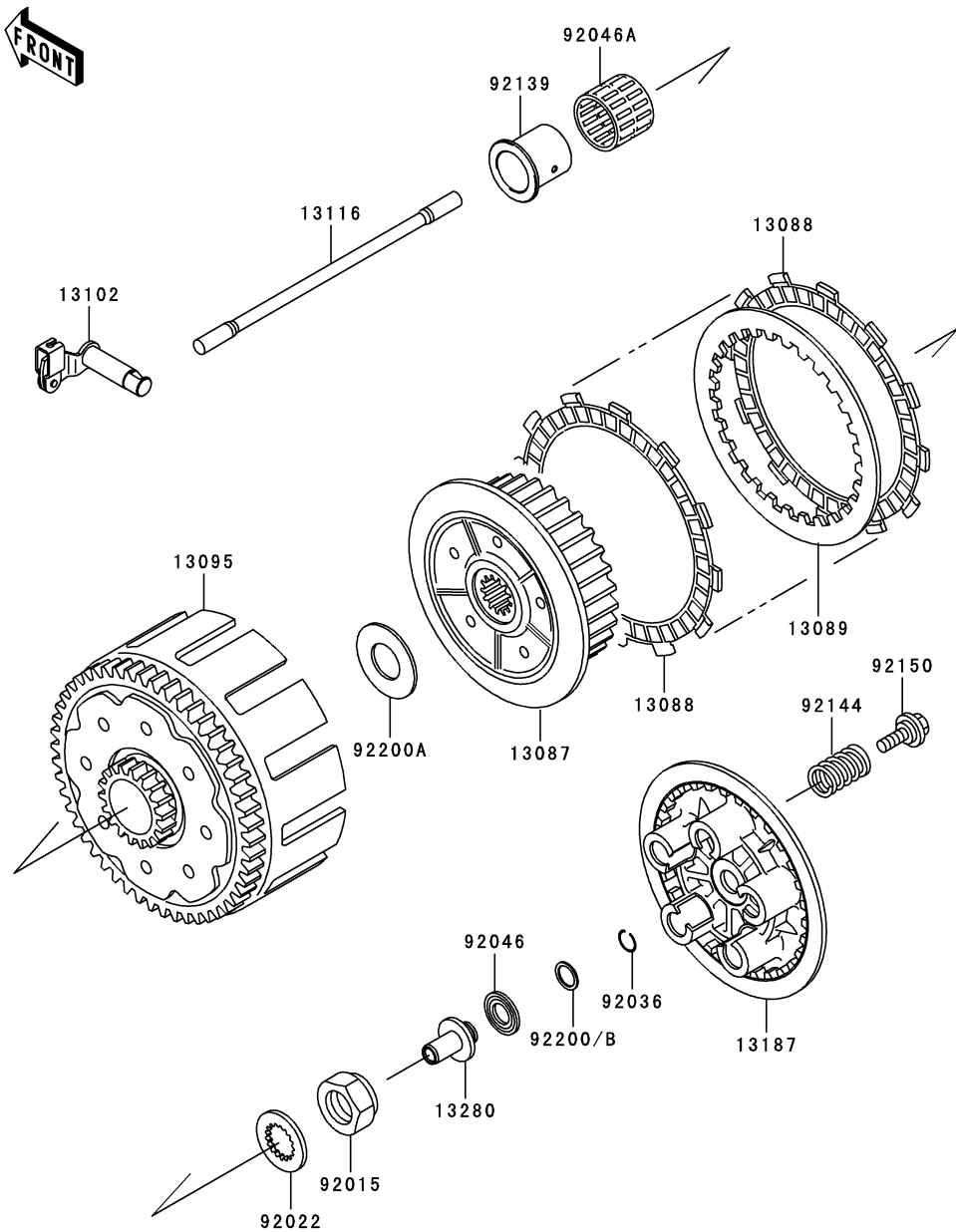
B-9

This grid covers:

Clutch

E1350

Ref. No.	Part No.	Description	Spec Code	Quantity-KX250		
				'06	'07	'08
				R6F	R7F	R8F
13087	13087-1168	HUB-CLUTCH	1	1	1	
13088	13088-1089	PLATE-FRICTION	8	8	8	
13089	13089-1066	PLATE-CLUTCH	7	7	7	
13095	13095-0048	HOUSING-COMP-CLUTCH	1	1	1	
13102	13102-0014	RELEASE-COMP-CLUTCH	1	1	1	
13116	13116-1172	ROD-PUSH	1	1	1	
13187	13187-1090	PLATE-CLUTCH OPERATING	1	1	1	
13280	13280-1284	HOLDER,CLUTUCH RELEASE	1	1	1	
92015	92015-1725	NUT,20MM	1	1	1	
92022	92022-1942	WASHER	1	1	1	
92036	92036-007	RING-SNAP,PISTON PIN	1	1	1	
92046	92046-1190	BEARING-NEEDLE,FNTA-1326	1	1	1	
92046A	92046-1304	BEARING-NEEDLE,K30X30X29.8	1	1	1	
92139	92139-0096	BUSHING	1	1	1	
92144	92144-1351	SPRING,CLUTCH	5	5	5	
92150	92150-1489	BOLT,6X22	5	5	5	
92200	92200-0045	WASHER,13.4X25X1.0	AR	AR	AR	
92200A	92200-1143	WASHER,22.5X47X2	1	1	1	
92200B	92200-1548	WASHER,13.4X25.0X1.5	1	1	1	



This catalog covers:

'06~'08 KX250 R6F/R7F/R8F Engine

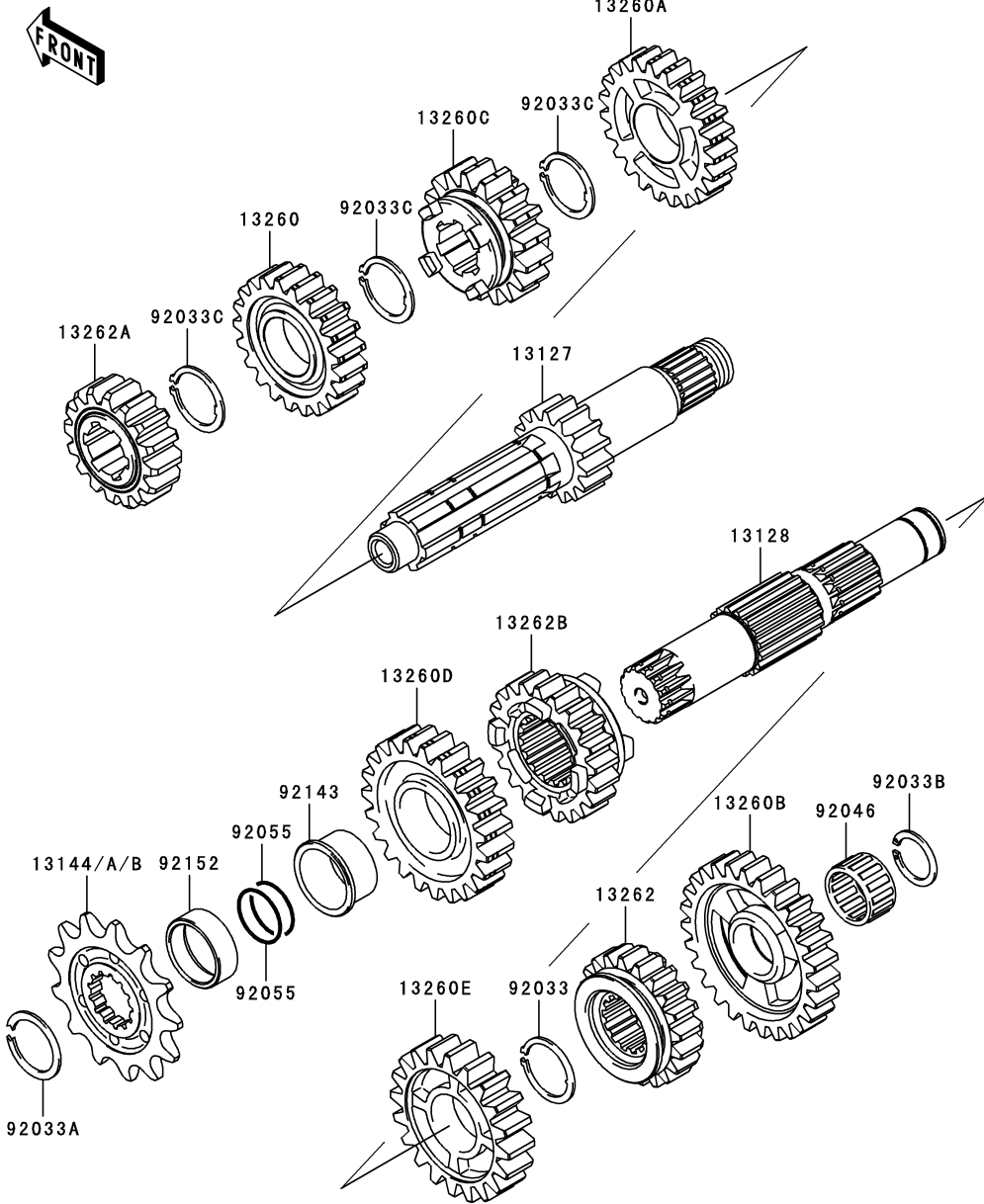
GRID NO.

B-10

This grid covers:

Transmission

E1361



Ref. No.	Part No.	Description	Spec Code	Quantity-KX250		
				'06	'07	'08
				R6F	R7F	R8F
13127	13127-1303	SHAFT-TRANSMISSION INPUT,15T	1	1	1	
13128	13128-0011	SHAFT-TRANSMISSION OUTPUT	1	1	1	
13144	13144-1294	SPROCKET-OUTPUT,13T	1	1	1	
13144A	13144-1295 (OPTION)	SPROCKET-OUTPUT,14T	1	1	1	
13144B	13144-1296 (OPTION)	SPROCKET-OUTPUT,15T	1	1	1	
13260	13260-1928	GEAR,INPUT 4TH,21T	1	1	1	
13260A	13260-1929	GEAR,INPUT TOP,23T	1	1	1	
13260B	13260-1930	GEAR,OUTPUT LOW,27T	1	1	1	
13260C	13260-1964	GEAR,INPUT 3RD,17T	1	1	1	
13260D	13260-1965	GEAR,OUTPUT 2ND,23T	1	1	1	
13260E	13260-1966	GEAR,OUTPUT 3RD,20T	1	1	1	
13262	13262-0141	GEAR,OUTPUT TOP,20T	1	1	1	
13262A	13262-0186	GEAR,INPUT 2ND,16T	1	1	1	
13262B	13262-0219	GEAR,OUTPUT 4TH,21T	1	1	1	
92033	92033-0025	RING-SNAP,25MM	1	1	1	
92033A	92033-026	RING-SNAP,24MM	1	1	1	
92033B	92033-029	RING-SNAP,18MM	1	1	1	
92033C	92033-1089	RING-SNAP,25MM	3	3	3	
92046	92046-1170	BEARING-NEEDLE,KT202614	1	1	1	
92055	92055-035	RING-O	2	2	2	
92143	92143-1361	COLLAR	1	1	1	
92152	92152-0183	COLLAR,SPROCKET	1	1	1	

This catalog covers:

'06~'08 KX250 R6F/R7F/R8F Engine

GRID NO.

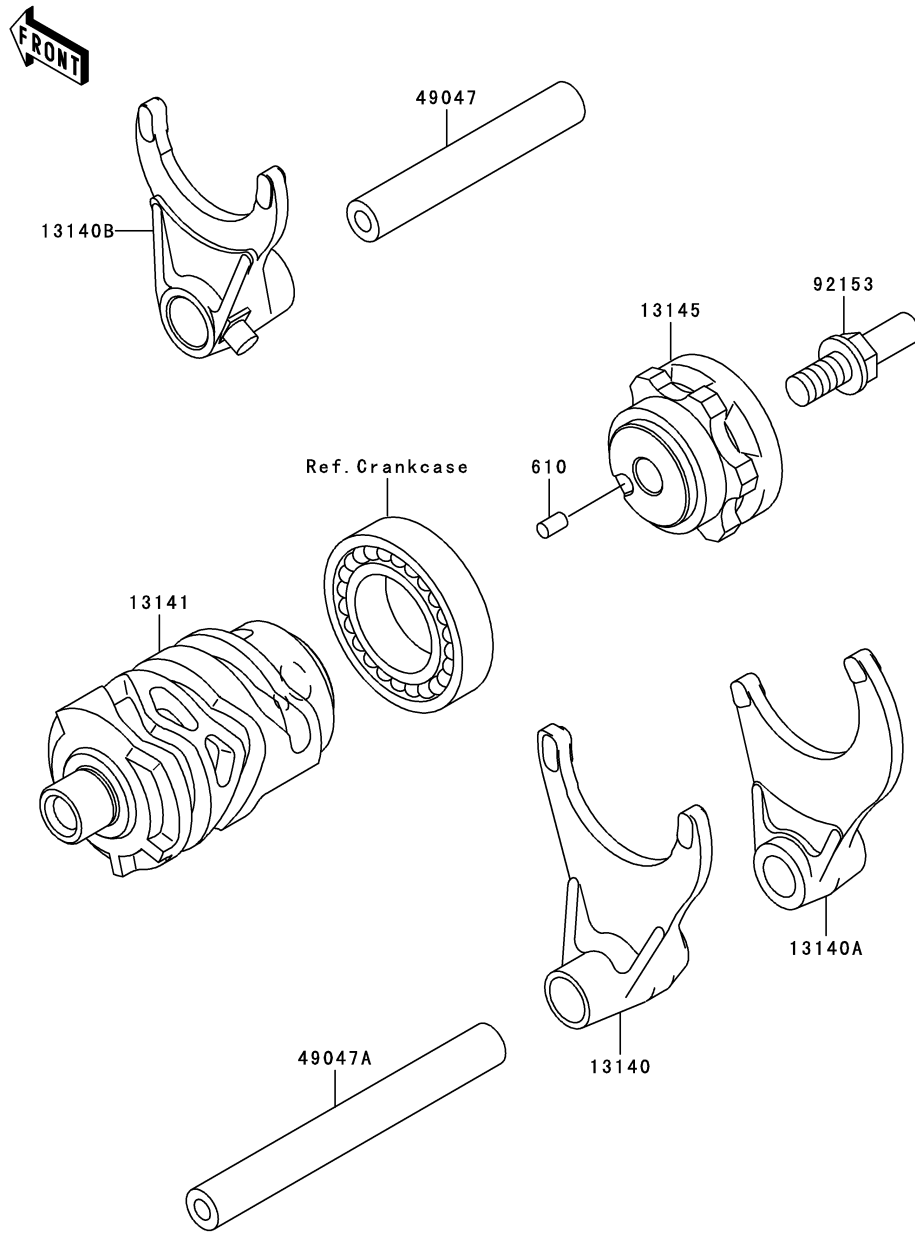
B-11

This grid covers:

Gear Change Drum/Shift Fork(s)

E1362

Ref. No.	Part No.	Description	Spec Code	Quantity-KX250		
				'06	'07	'08
				R6F	R7F	R8F
13140	13140-1295	FORK-SHIFT,OUT LH	1	1	1	
13140A	13140-1296	FORK-SHIFT,OUT RH	1	1	1	
13140B	13140-1312	FORK-SHIFT,IN	1	1	1	
13141	13141-0008	DRUM-CHANGE	1	1	1	
13145	13145-1095	CAM-CHANGE DRUM	1	1	1	
49047	49047-1107	ROD-SHIFT,L=64.5	1	1	1	
49047A	49047-1108	ROD-SHIFT,L=90	1	1	1	
92153	92153-0530	BOLT,8X20	1	1	1	
610	610A0408	ROLLER,4X8	1	1	1	



This catalog covers:

'06~'08 KX250 R6F/R7F/R8F Engine

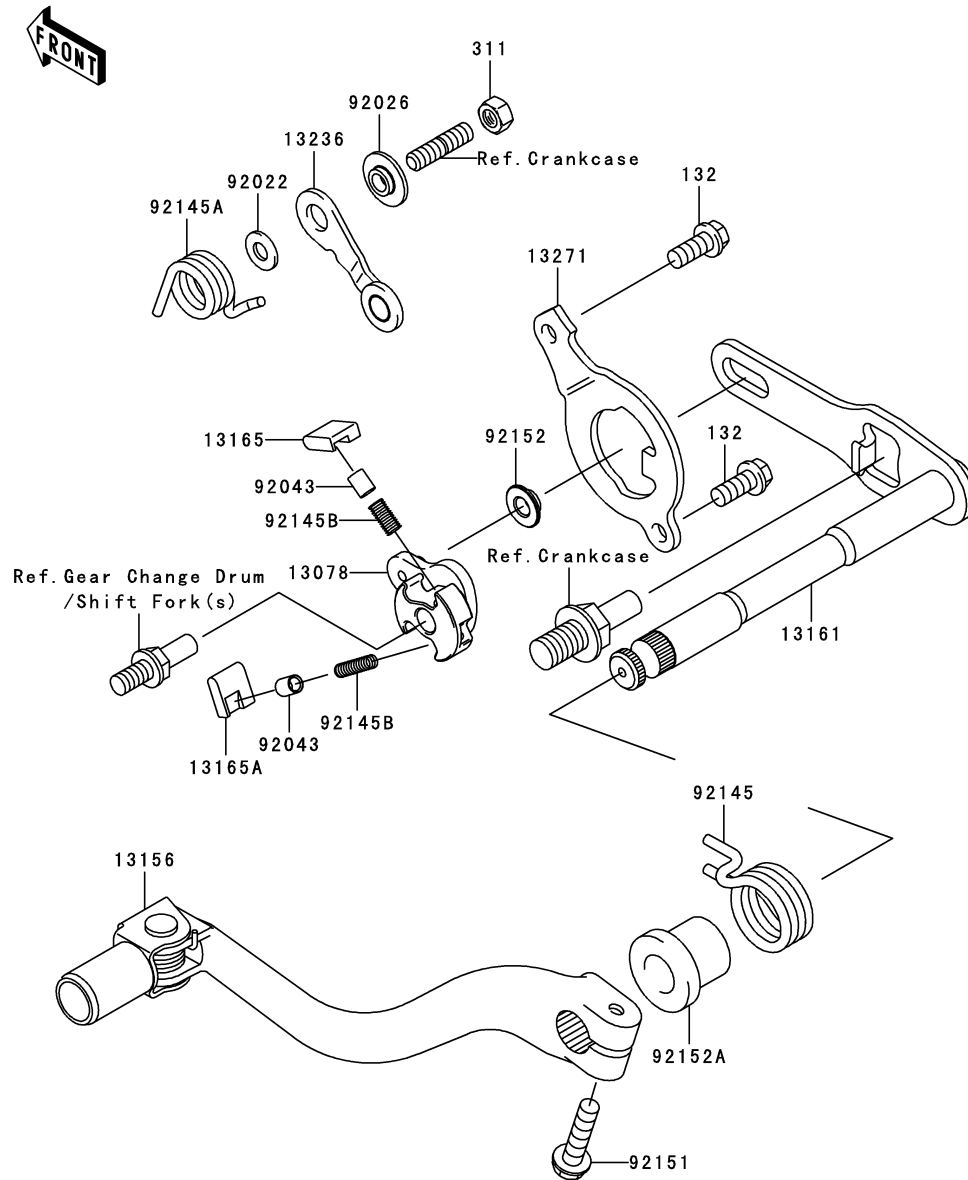
GRID NO.

B-12

This grid covers:

Gear Change Mechanism

E1370



Ref. No.	Part No.	Description	Spec Code	Quantity-KX250		
				'06	'07	'08
				R6F	R7F	R8F
13078	13078-1070	RATCHET	1	1	1	
13156	13156-0049	LEVER-CHANGE, PEDAL	1	1	1	
13161	13161-0029	LEVER-COMP-CHANGE SHAFT	1	1	1	
13165	13165-1162	PAWL	1	1	1	
13165A	13165-1163	PAWL	1	1	1	
13236	13236-1391	LEVER-COMP	1	1	1	
13271	13271-1968	PLATE	1	1	1	
92022	92022-1827	WASHER, 6X12.8X1.2	1	1	1	
92026	92026-1217	SPACER	1	1	1	
92043	92043-1676	PIN, PLUNGER	2	2	2	
92145	92145-1488	SPRING, RETURN	1	1	1	
92145A	92145-1489	SPRING, POSITION	1	1	1	
92145B	92145-1490	SPRING	2	2	2	
92151	92151-1930	BOLT, FLANGED-SMALL, 6X25	1	1	1	
92152	92152-1414	COLLAR	1	1	1	
92152A	92152-1417	COLLAR, SPRING SUPPORT	1	1	1	
132	132G0614	BOLT-FLANGED-SMALL, 6X14	2	2	2	
311	311G0600	NUT-HEX, 6MM	1	1	1	

This catalog covers:

'06~'08 KX250 R6F/R7F/R8F Engine

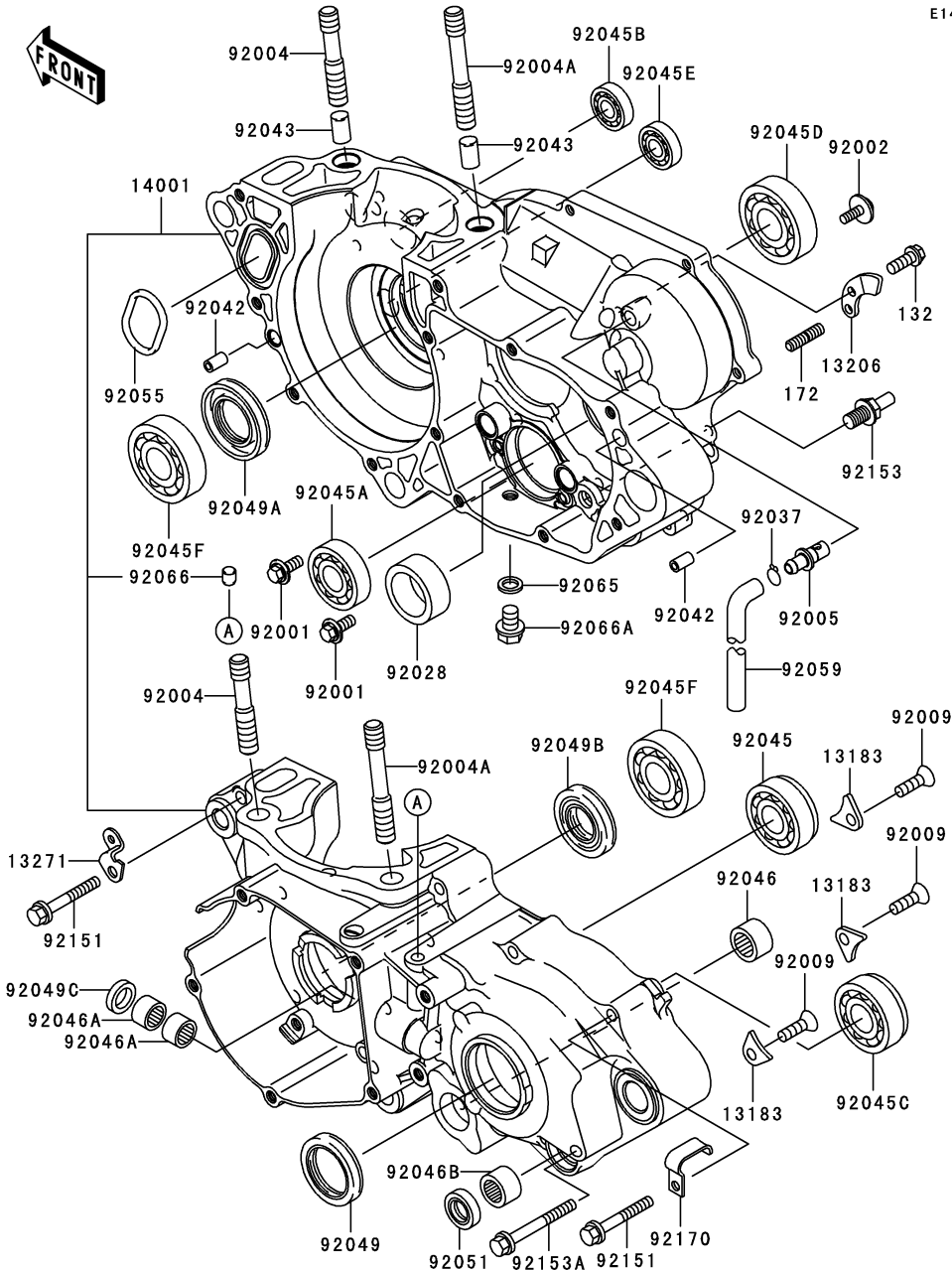
GRID NO.

B-13

This grid covers:

Crankcase

E1411



Ref. No.	Part No.	Description	Quantity-KX250			
			'06	'07	'08	
			R6F	R7F	R8F	
13183	13183-1182	PLATE	3	3	3	
13206	13206-1062	GUIDE-KICK	1	1	1	
13271	13271-0549	PLATE	1	1	1	
14001	14001-0065	SET-CRANKCASE	1	1	1	
92001	92001-1829	BOLT,W/WASHER,6X14	2	2	2	
92002	92002-1659	BOLT,6X16	1	1	1	
92004	92004-0022	STUD,10X39.5	2	2	2	
92004A	92004-0023	STUD,10X55	2	2	2	
92005	92005-0037	FITTING,BREATHER	1	1	1	
92009	92009-1563	SCREW,6X10	3	3	3	
92028	92028-131	BUSHING,26X35X14	1	1	1	
92037	92037-1610	CLAMP	1	1	1	
92042	92042-007	PIN,DOWEL,6.3X8X14	2	2	2	
92043	92043-1266	PIN,11X14X12.3	2	2	2	
92045	92045-0013	BEARING-BALL,3TM-SX0391ZC3	1	1	1	
92045A	92045-1058	BEARING-BALL,6905Z	1	1	1	
92045B	92045-1123	BEARING-BALL,#628	1	1	1	
92045C	92045-1240	BEARING-BALL,TMB205/56W-5	1	1	1	
92045D	92045-1300	BEARING-BALL,63/22/25X7	1	1	1	
92045E	92045-1345	BEARING-BALL,626BUMC3	1	1	1	
92045F	92045-1445	BEARING-BALL,CRANK MAIN	2	2	2	
92046	92046-037	BEARING-NEEDLE,7E-HK1412	1	1	1	
92046A	92046-1010	BEARING-NEEDLE,HK1210	2	2	2	
92046B	92046-1148	BEARING-NEEDLE,HK1312	1	1	1	
92049	92049-0030	SEAL-OIL,TC 30 40 7	1	1	1	
92049A	92049-0031	SEAL-OIL,TCJ 25 45 7	1	1	1	
92049B	92049-0032	SEAL-OIL,TCJ 20 40 7	1	1	1	
92049C	92049-1262	SEAL-OIL,AG0353-F0	1	1	1	
92051	92051-005	SEAL-OIL,TB13225.5	1	1	1	
92055	92055-0059	RING-O,YP 26.7 41.8 2.7	1	1	1	
92059	92059-103	TUBE,6X9X360	1	1	1	
92065	92065-058	GASKET,10.5X16X1	1	1	1	
92066	92066-1012	PLUG,OIL LINE,7.2X8	1	1	1	
92066A	92066-1437	PLUG,DRAIN	1	1	1	
92151	92151-1336	BOLT,6X45	11	11	11	
92153	92153-0629	BOLT,RETURN	1	1	1	
92153A	92153-0862	BOLT,6X75	1	1	1	
92170	92170-1555	CLAMP	1	1	1	
132	132G0616	BOLT-FLANGED-SMALL,6X16	1	1	1	
172	172G0612	BOLT-STUD,6X12	1	1	1	

This catalog covers:

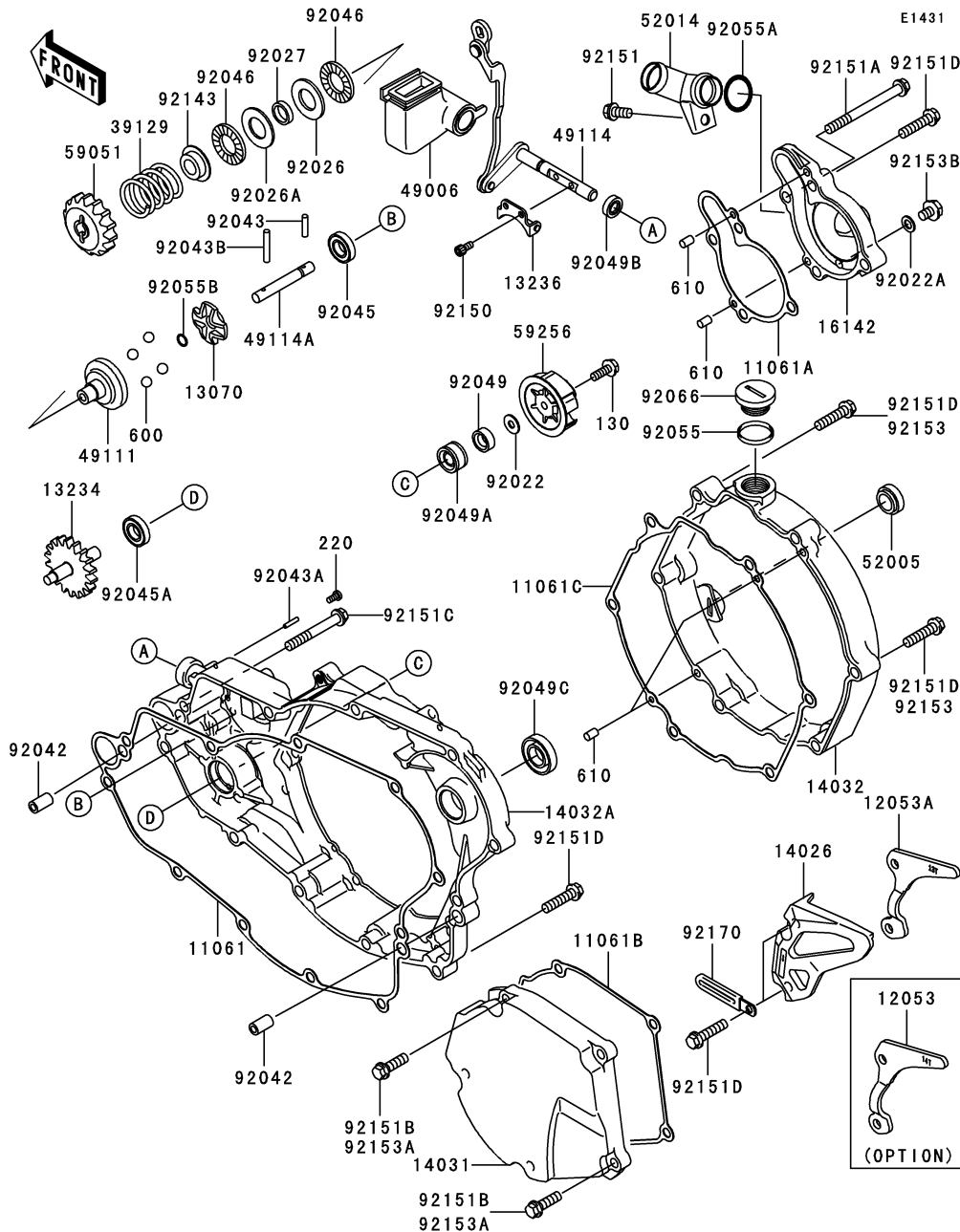
'06~'08 KX250 R6F/R7F/R8F Engine

GRID NO.

B-14

This grid covers:

Engine Cover(s)(1/2)



Ref. No.	Part No.	Description	Quantity-KX250			
			'06	'07	'08	
			R6F	R7F	R8F	
11061	11061-0095	GASKET,CLUTCH COVER,IN	1	1	1	
11061A	11061-0097	GASKET,PUMP COVER	1	1	1	
11061B	11061-0098	GASKET,GENERATOR COVER	1	1	1	
11061C	11061-0144	GASKET,CLUTCH COVER,OUTER	1	1	1	
12053	12053-0033	GUIDE-CHAIN,FOR 14T (OPTION)	1	1	1	
12053A	12053-0035	GUIDE-CHAIN,FOR 13T	1	1	1	
13070	13070-1206	GUIDE	1	1	1	
13234	13234-0016	SHAFT-COMP	1	1	1	
13236	13236-1266	LEVER-COMP,GOVERNOR	1	1	1	
14026	14026-0010	COVER-CHAIN	1	1	1	
14031	14031-0022	COVER-GENERATOR	1	1	1	
14032	14032-0051	COVER-CLUTCH,OUTER	1	1	1	
14032A	14032-0063	COVER-CLUTCH,INNER	1	1	1	
16142	16142-0013	COVER-PUMP	1	1	1	
39129	39129-0002	SPRING-GOVERNOR	1	1	1	
49006	49006-0040	BOOT	1	1	1	
49111	49111-0001	HOLDER-GOVERNOR WEIGHT	1	1	1	
49114	49114-0001	SHAFT-GOVERNOR	1	1	1	
49114A	49114-1074	SHAFT-GOVERNOR	1	1	1	
52005	52005-0019	GAUGE,OIL LEVEL	1	1	1	
52014	52014-0003	ELBOW	1	1	1	
59051	59051-1399	GEAR-SPUR,GOVERNOR	1	1	1	
59256	59256-0005	IMPELLER	1	1	1	
92022	92022-1380	WASHER,5.2X13X1	1	1	1	
92022A	92022-304	WASHER,6.2X11X1	1	1	1	
92026	92026-1501	SPACER,T=2.0	1	1	1	
92026A	92026-1590	SPACER,T=1.5	1	1	1	
92027	92027-1839	COLLAR,15.2X17X4	1	1	1	
92042	92042-007	PIN,DOWEL,6.3X8X14	2	2	2	
92043	92043-1256	PIN,3X12.8	1	1	1	
92043A	92043-1293	PIN,2X9.8	1	1	1	
92043B	92043-1319	PIN,3X19.8	1	1	1	
92045	92045-1123	BEARING-BALL,#628	1	1	1	
92045A	92045-1305	BEARING-BALL,608MC3	1	1	1	
92046	92046-1252	BEARING-NEEDLE	2	2	2	
92049	92049-0033	SEAL-OIL,MA8.0N2	1	1	1	
92049A	92049-0034	SEAL-OIL	1	1	1	
92049B	92049-1207	SEAL-OIL,SDO8144	1	1	1	
92049C	92049-1594	SEAL-OIL,A80984H0 KICK SHAFT	1	1	1	

This catalog covers:

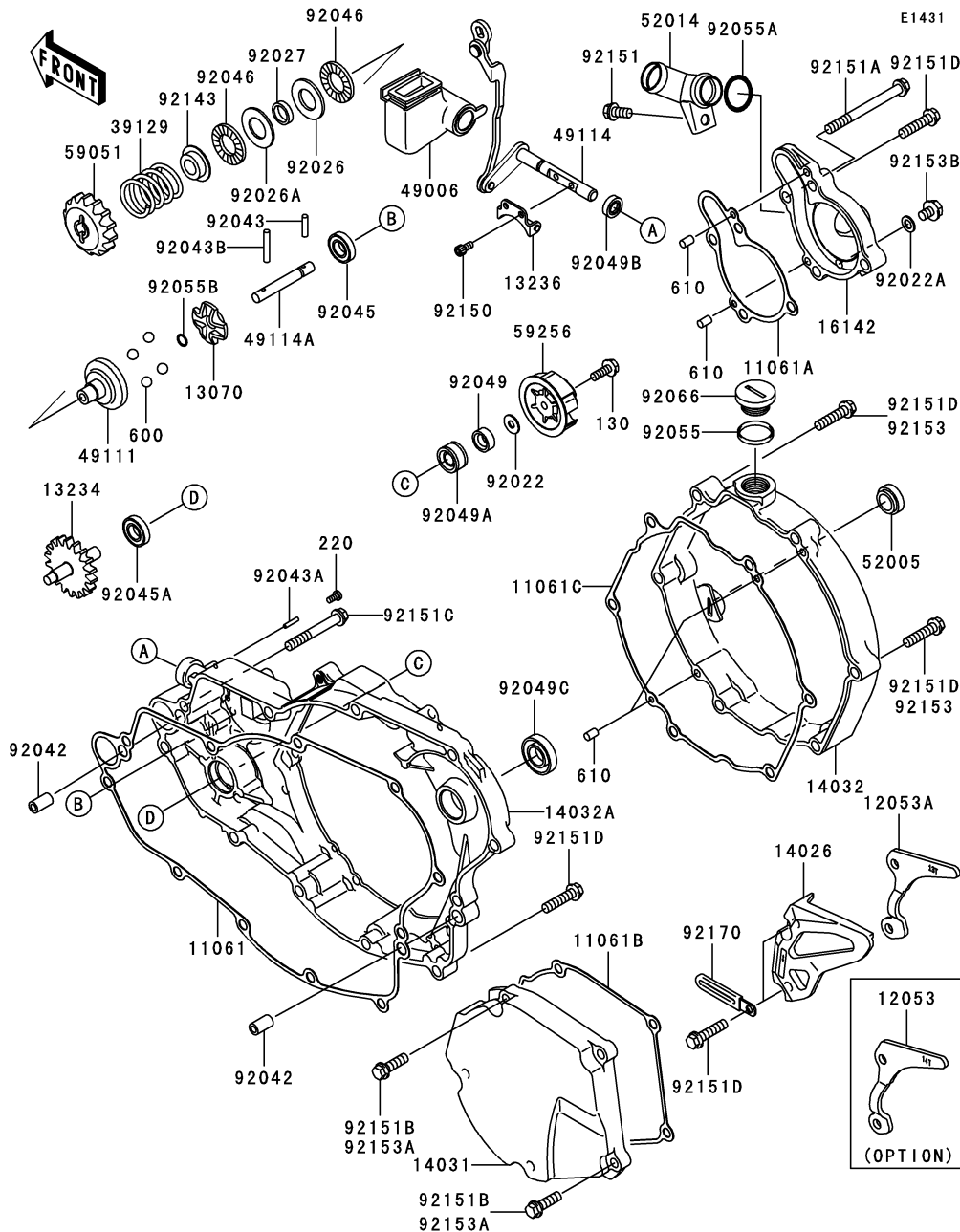
'06~'08 KX250 R6F/R7F/R8F Engine

GRID NO.

C-3

This grid covers:

Engine Cover(s)(2/2)



Ref. No.	Part No.	Description	Spec Code	Quantity-KX250		
				'06	'07	'08
				R6F	R7F	R8F
92055	92055-1146	RING-O,20X2	1	1	1	
92055A	92055-1308	RING-O,18.8X2.4	1	1	1	
92055B	92055-1343	RING-O,5.5X1.5	1	1	1	
92066	92066-0060	PLUG,OIL	1	1	1	
92143	92143-1593	COLLAR	1	1	1	
92150	92150-1888	BOLT,SOCKET,4X8	2	2	2	
92151	92151-1133	BOLT,6X12	1	1	1	
92151A	92151-1199	BOLT,6X65	1	1	1	
92151B	92151-1252	BOLT,FLANGED-SMALL,6X20		5	5	
92151C	92151-1336	BOLT,6X45	1	1	1	
92151D	92151-1930	BOLT,FLANGED-SMALL,6X25	14	20	20	
92153	92153-0604	BOLT,FLANGED,6X25	6			
92153A	92153-0631	BOLT,FLANGED,6X20	5			
92153B	92153-0860	BOLT,6X8	1	1	1	
92170	92170-1514	CLAMP	2	2	2	
130	130P0514	BOLT-FLANGED,5X14	1	1	1	
220	220B0306	SCREW-PAN-CROS,3X6	1	1	1	
600	600A1200	BALL-STEEL,3/8"	4	4	4	
610	610A0408	ROLLER,4X8	4	4	4	

This catalog covers:

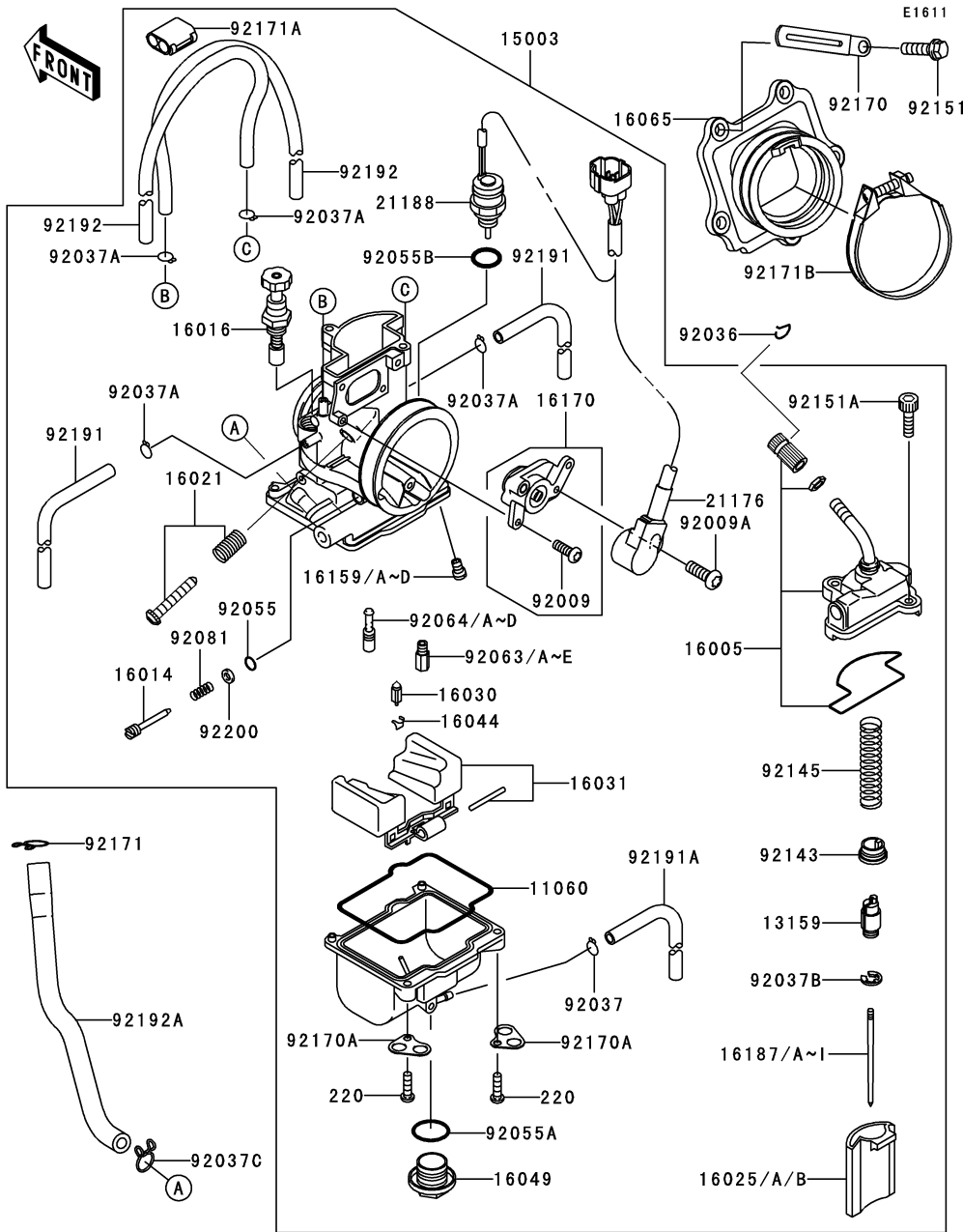
'06~'08 KX250 R6F/R7F/R8F Engine

GRID NO.

C-4

This grid covers:

Carburetor(1/3)



Ref. No.	Part No.	Description	Spec Code	Quantity-KX250		
				'06	'07	'08
				R6F	R7F	R8F
11060	11060-1254	GASKET,FLOAT CHAMBER	1	1	1	
13159	13159-1063	CONNECTOR,THROTTLE CABLE	1	1	1	
15003	15003-0045	CARBURETOR-ASSY	1	1	1	
16005	16005-1083	TOP-CHAMBER	1	1	1	
16014	16014-1058	SCREW-PILOT AIR	1	1	1	
16016	16016-1085	PLUNGER	1	1	1	
16021	16021-1198	SCREW-THROTTLE STOP	1	1	1	
16025	16025-1215	VALVE-THROTTLE,#6	AR	AR	AR	
	(OPTION)					
16025A	16025-1216	VALVE-THROTTLE,#7	AR	AR	AR	
	(OPTION)					
16025B	16025-1217	VALVE-THROTTLE,#8	1	1	1	
16030	16030-1057	VALVE-FLOAT	1	1	1	
16031	16031-1100	FLOAT	1	1	1	
16044	16044-007	CLAMP,FLOAT VALVE	1	1	1	
16049	16049-1051	COVER-MAIN JET	1	1	1	
16065	16065-0023	HOLDER-CARBURETOR	1	1	1	
16159	16159-1053	JET-POWER,#50	AR	AR	AR	
	(OPTION)					
16159A	16159-1054	JET-POWER,#55	1	1	1	
16159B	16159-1055	JET-POWER,#52	AR	AR	AR	
	(OPTION)					
16159C	16159-1056	JET-POWER,#58	AR	AR	AR	
	(OPTION)					
16159D	16159-1057	JET-POWER,#60	AR	AR	AR	
	(OPTION)					
16170	16170-0001	LINK-ASSY	1	1	1	
16187	16187-0157	NEEDLE-JET,NFTF	AR	AR	AR	
	(OPTION)					
16187A	16187-0158	NEEDLE-JET,NFTG	1	1	1	
16187B	16187-0159	NEEDLE-JET,NFTH	AR	AR	AR	
	(OPTION)					
16187C	16187-0160	NEEDLE-JET,NFTW	AR	AR	AR	
	(OPTION)					
16187D	16187-0162	NEEDLE-JET,NFUF	AR	AR	AR	
	(OPTION)					
16187E	16187-0163	NEEDLE-JET,NFUG	AR	AR	AR	
	(OPTION)					
16187F	16187-0164	NEEDLE-JET,NFUH	AR	AR	AR	
	(OPTION)					
16187G	16187-0165	NEEDLE-JET,NFUW	AR	AR	AR	
	(OPTION)					

This catalog covers:

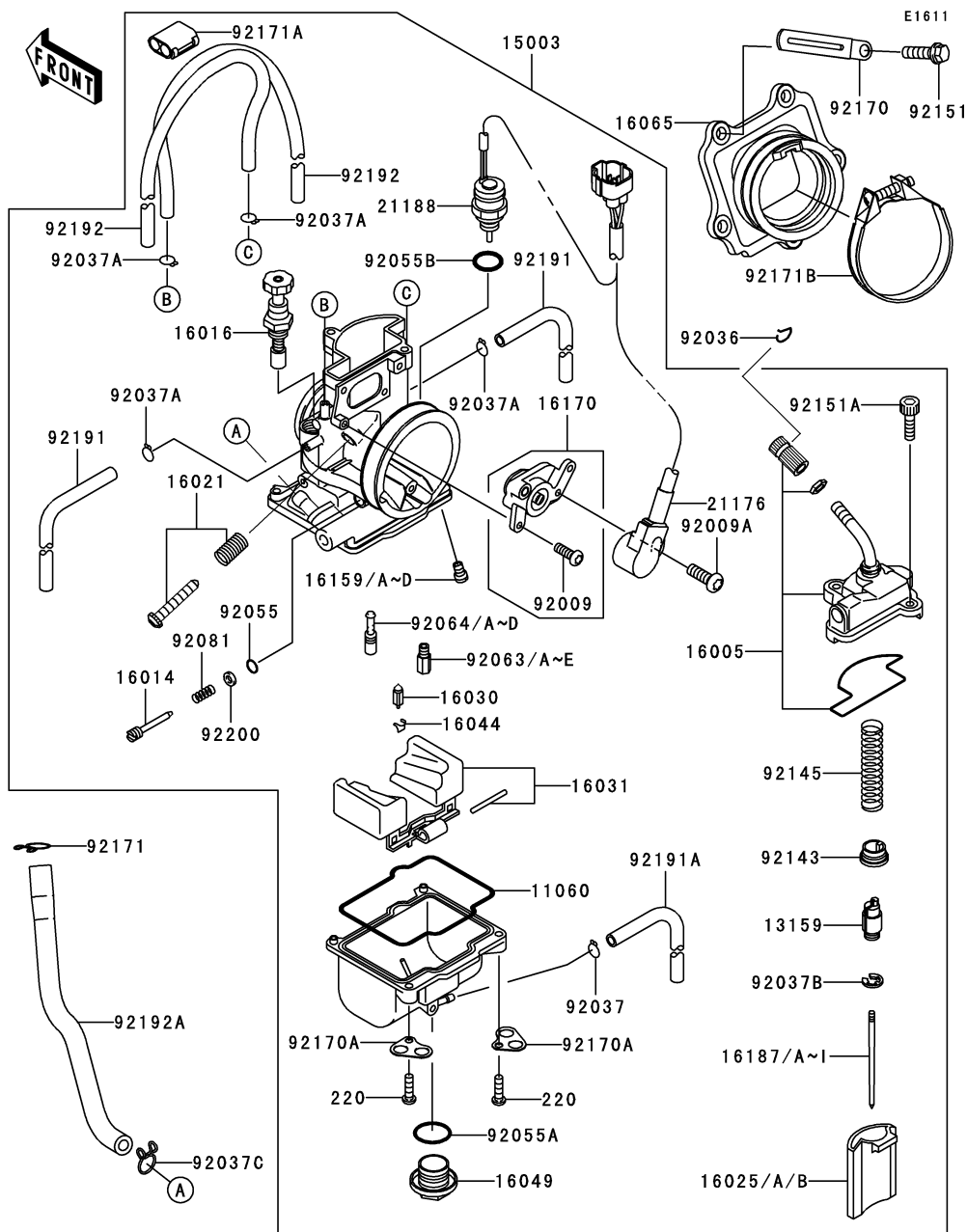
'06~'08 KX250 R6F/R7F/R8F Engine

GRID NO.

C-5

This grid covers:

Carburetor(2/3)



Ref. No.	Part No.	Description	Spec Code	Quantity-KX250		
				'06	'07	'08
				R6F	R7F	R8F
16187H	16187-0167 (OPTION)	NEEDLE-JET,NFTE	AR	AR	AR	
16187I	16187-0168 (OPTION)	NEEDLE-JET,NFUE	AR	AR	AR	
21176	21176-1114	SENSOR,THROTTLE	1	1	1	
21188	21188-0002	SOLENOID	1	1	1	
92009	92009-1889	SCREW	2	2	2	
92009A	92009-1981	SCREW,THROTTLE SENSOR	1	1	1	
92036	92036-018	RING-SNAP	1	1	1	
92037	92037-1142	CLAMP,TUBE	1	1	1	
92037A	92037-1396	CLAMP,TUBE	4	4	4	
92037B	92037-1401	CLAMP,JET NEEDLE	1	1	1	
92037C	92037-147	CLAMP,TUBE	1	1	1	
92055	92055-1002	RING-O,PILOT ADJUST	1	1	1	
92055A	92055-1167	RING-O,MAIN JET COVER	1	1	1	
92055B	92055-1580	RING-O	1	1	1	
92063	92063-1366 (OPTION)	JET-MAIN,#155	AR	AR	AR	
92063A	92063-1367 (OPTION)	JET-MAIN,#158	AR	AR	AR	
92063B	92063-1368	JET-MAIN,#160	1	1	1	
92063C	92063-1369 (OPTION)	JET-MAIN,#162	AR	AR	AR	
92063D	92063-1370 (OPTION)	JET-MAIN,#165	AR	AR	AR	
92063E	92063-1372 (OPTION)	JET-MAIN,#170	AR	AR	AR	
92064	92064-1130 (OPTION)	JET-PILOT,#52	AR	AR	AR	
92064A	92064-1142 (OPTION)	JET-PILOT,#45	AR	AR	AR	
92064B	92064-1143 (OPTION)	JET-PILOT,#48	AR	AR	AR	
92064C	92064-1144	JET-PILOT,#50	1	1	1	
92064D	92064-1145 (OPTION)	JET-PILOT,#55	AR	AR	AR	
92081	92081-1555	SPRING,ADJUST SCREW	1	1	1	
92143	92143-1201	COLLAR,THROTTLE VALVE	1	1	1	
92145	92145-0012	SPRING,THROTTLE VALVE	1	1	1	
92151	92151-1252	BOLT,FLANGED-SMALL,6X20	5	5	5	
92151A	92151-1507	BOLT	2	2	2	

This catalog covers:

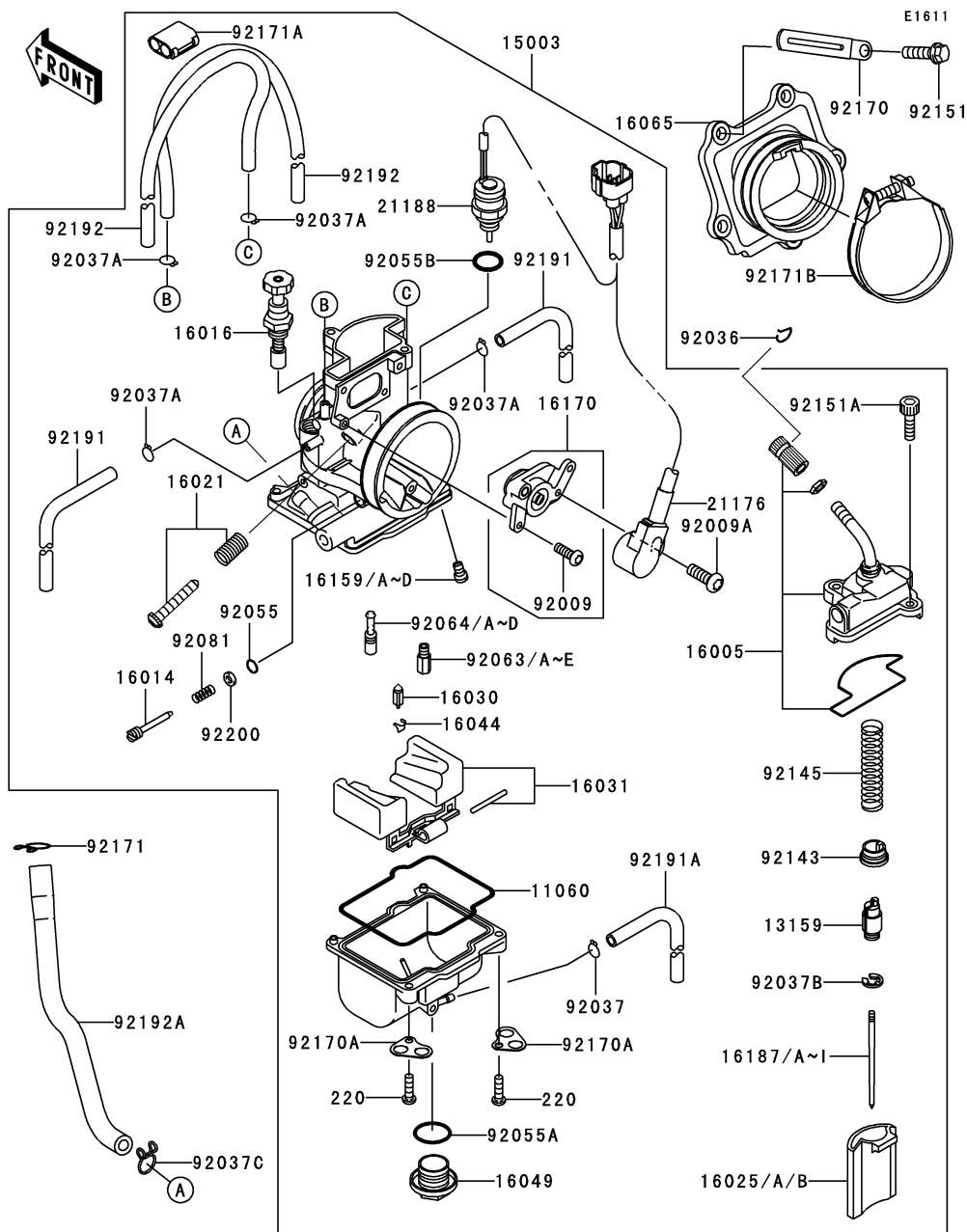
'06~'08 KX250 R6F/R7F/R8F Engine

GRID NO.

C-6

This grid covers:

Carburetor(3/3)



Ref. No.	Part No.	Description	Spec Code	Quantity-KX250		
				'06	'07	'08
				R6F	R7F	R8F
92170	92170-1514	CLAMP	1	1	1	
92170A	92170-1582	CLAMP	2	2	2	
92171	92171-0149	CLAMP	1	1	1	
92171A	92171-0246	CLAMP	1	1	1	
92171B	92171-1105	CLAMP	1	1	1	
92191	92191-1254	TUBE,4X7X480	2	2	2	
92191A	92191-1256	TUBE,3.5X6.5X330	1	1	1	
92192	92192-0203	TUBE,4X7X580	2	2	2	
92192A	92192-0235	TUBE,L=190.2	1	1	1	
92200	92200-1466	WASHER	1	1	1	
220	220D0414	SCREW-PAN-CROS,4X14	4	4	4	

This catalog covers:

'06~'08 KX250 R6F/R7F/R8F Engine

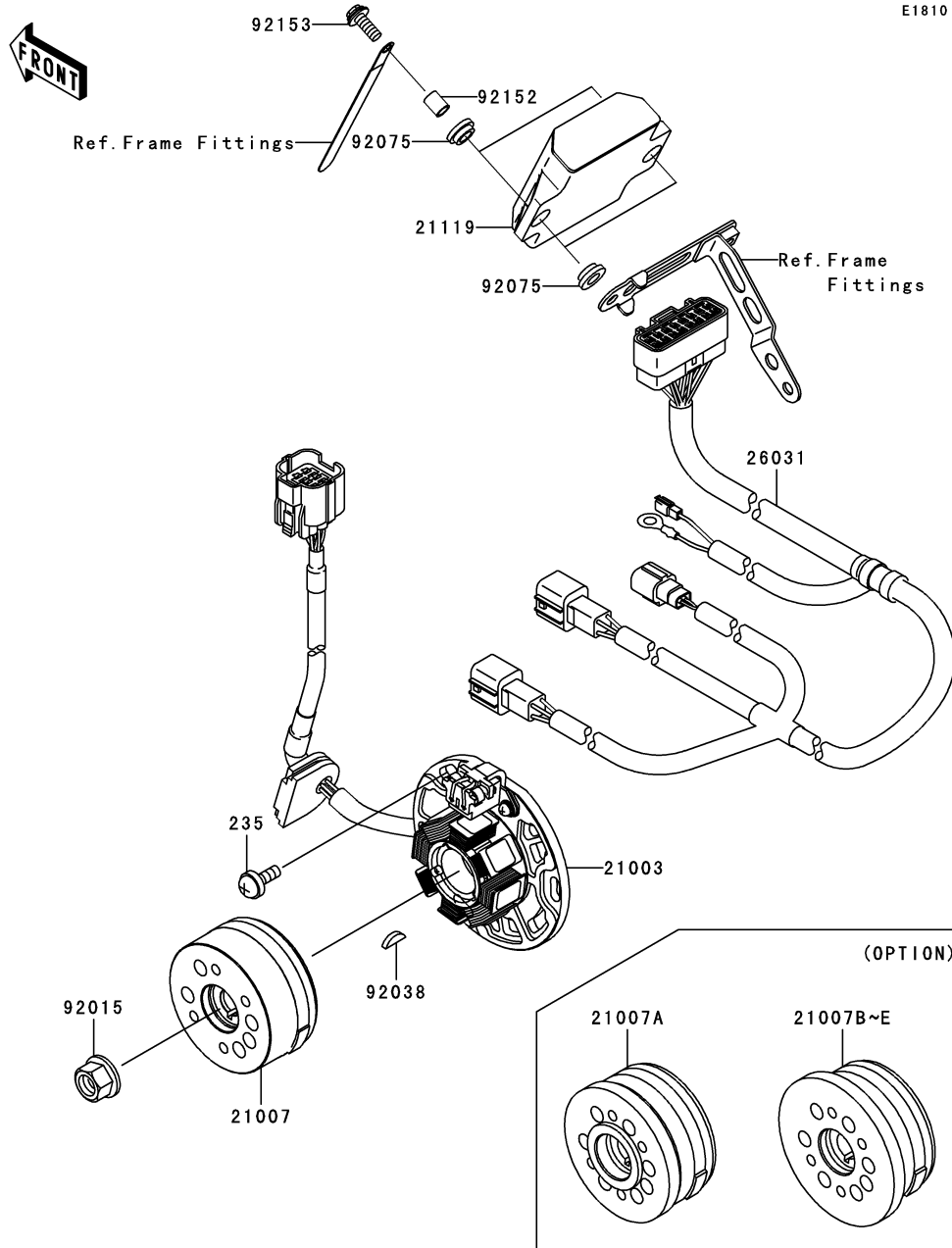
GRID NO.

C-7

This grid covers:

Generator

E1810



Ref. No.	Part No.	Description	Spec Code	Quantity-KX250		
				'06	'07	'08
				R6F	R7F	R8F
21003	21003-0050	STATOR	1	1	1	
21007	21007-1424	ROTOR,I=4.5	1	1	1	
21007A	21007-1425 (OPTION)	ROTOR,I=4.0	1	1	1	
21007B	21007-1426 (OPTION)	ROTOR,I=5.3	1	1	1	
21007C	21007-1427 (OPTION)	ROTOR,I=5.6	1	1	1	
21007D	21007-1428 (OPTION)	ROTOR,I=5.9	1	1	1	
21007E	21007-1429 (OPTION)	ROTOR,I=4.9	1	1	1	
21119	21119-0027	IGNITER	1	1	1	
26031	26031-0278	HARNESS	1	1	1	
92015	92015-1156	NUT,FLANGED,12MM	1	1	1	
92038	92038-001	KEY,WOODRUFF	1	1	1	
92075	92075-1138	DAMPER,8MM	4	4	4	
92152	92152-1421	COLLAR,IGNITER	2	2	2	
92153	92153-0626	BOLT,6X20	2	2	2	
235	235B0616	SCREW-PAN-WP-CROS,6X16	3	3	3	

This catalog covers:

'06~'08 KX250 R6F/R7F/R8F Engine

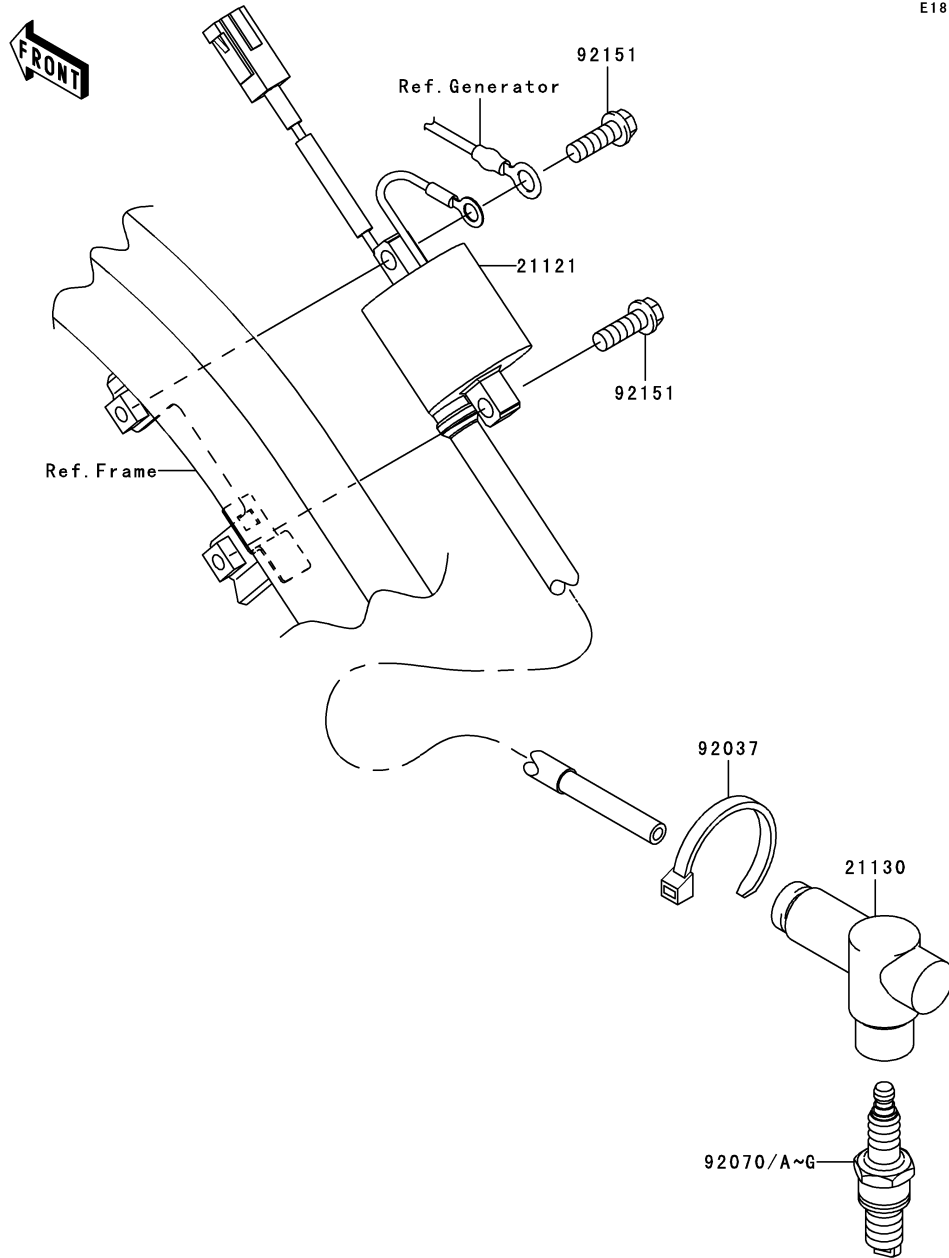
GRID NO.

C-8

This grid covers:

Ignition System

E1830



Ref. No.	Part No.	Description	Spec Code	Quantity-KX250		
				'06	'07	'08
				R6F	R7F	R8F
21121	21121-0015	COIL-IGNITION	1	1	1	
21130	21130-0005	CAP-SPARK PLUG,TB05EMFK	1	1	1	
92037	92037-1173	CLAMP	1	1	1	
92070	92070-0015	PLUG-SPARK,BR8ECMVX	1	1	1	
92070A	92070-0016 (OPTION)	PLUG-SPARK,BR9ECMVX	AR	AR	AR	
92070B	92070-1269 (OPTION)	PLUG-SPARK,BR7EIX(NGK)	AR	AR	AR	
92070C	92070-1270 (OPTION)	PLUG-SPARK,BR8EIX(NGK)	AR	AR	AR	
92070D	92070-1271 (OPTION)	PLUG-SPARK,BR9EIX(NGK)	AR	AR	AR	
92070E	92070-1274 (OPTION)	PLUG-SPARK,R7376-7(NGK)	AR	AR	AR	
92070F	92070-1275 (OPTION)	PLUG-SPARK,R7376-8(NGK)	AR	AR	AR	
92070G	92070-1276 (OPTION)	PLUG-SPARK,R7376-9(NGK)	AR	AR	AR	
92151	92151-1311	BOLT,6X18	2	2	2	

This catalog covers:

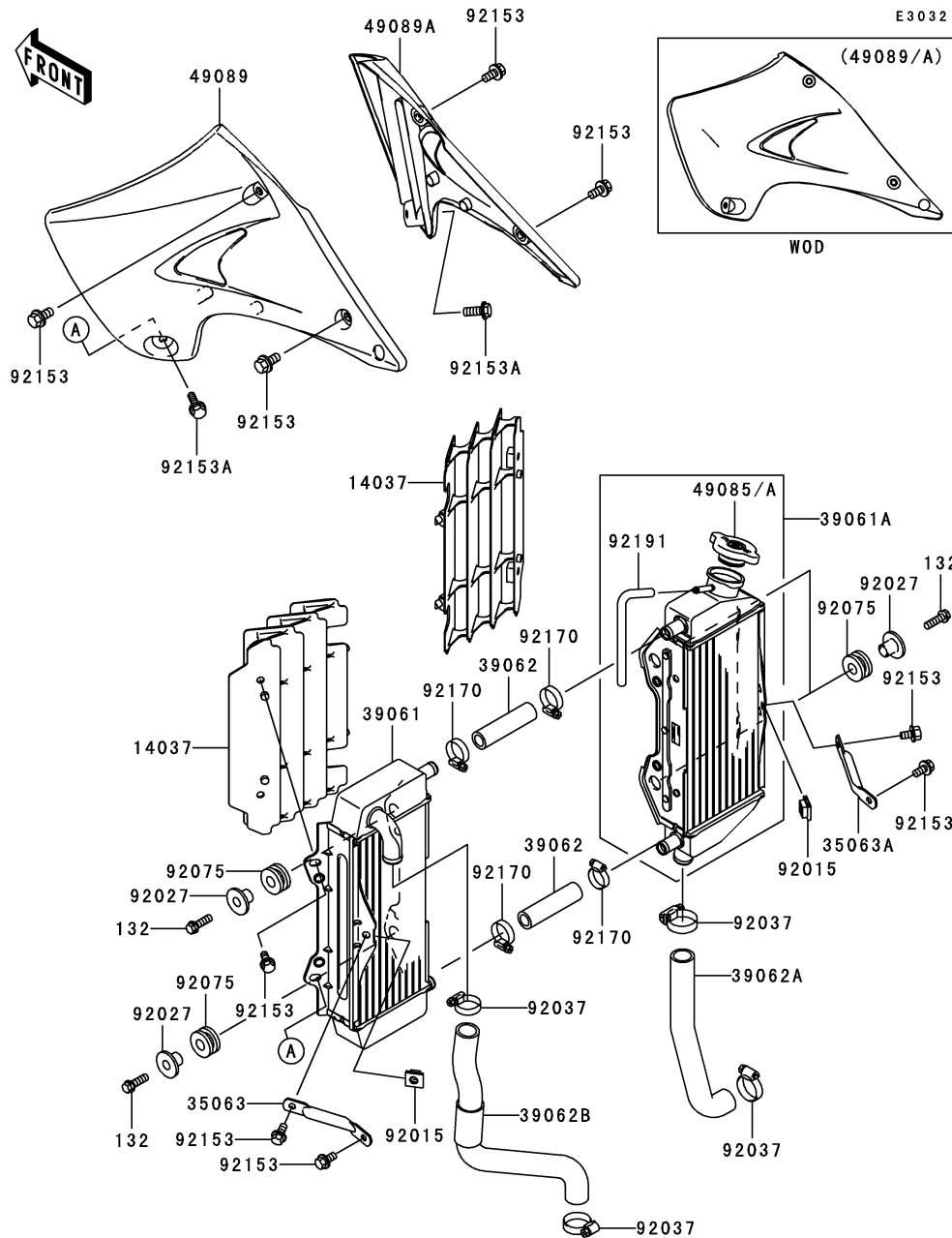
'06~'08 KX250 R6F/R7F/R8F Engine

GRID NO.

C-9

This grid covers:

Radiator



Ref. No.	Part No.	Description	Spec Code	Quantity-KX250		
				'06	'07	'08
				R6F	R7F	R8F
14037	14037-0020-RZ	SCREEN,WHITE	2	2	2	
35063	35063-1226	STAY,LH	1	1	1	
35063A	35063-1227	STAY,RH	1	1	1	
39061	39061-0024	RADIATOR-ASSY,LH	1	1	1	
39061A	39061-0025	RADIATOR-ASSY,RH	1	1	1	
39062	39062-0043	HOSE-COOLING,RADIATOR L-R	2	2	2	
39062A	39062-0060	HOSE-COOLING,RAD,RH-PUMP	1	1	1	
39062B	39062-0074	HOSE-COOLING,HEAD-RAD,LH	1	1	1	
49085	49085-1070	CAP-ASSY-PRESSURE,P1.1	1	1	1	
49085A	49085-1073	CAP-ASSY-PRESSURE,P1.6	1	1	1	
	(OPTION)					
49089	49089-1150-290	SHROUD-ENGINE,LH,L.GREEN	1	1	1	
49089A	49089-1151-290	SHROUD-ENGINE,RH,L.GREEN	1	1	1	
92015	92015-1487	NUT	2	2	2	
92027	92027-194	COLLAR,L=11.1	4	4	4	
92037	92037-1589	CLAMP,COOLING HOSE	4	4	4	
92075	92075-209	DAMPER	4	4	4	
92153	92153-0503	BOLT,6X12	10	10	10	
92153A	92153-0864	BOLT,6X20	2	2	2	
92170	92170-1283	CLAMP	4	4	4	
92191	92191-1211	TUBE,6X9X700	1	1	1	
132	132L0620	BOLT-FLANGED-SMALL,6X20	4	4	4	

This catalog covers:

'06~'08 KX250 R6F/R7F/R8F Chassis

GRID NO.

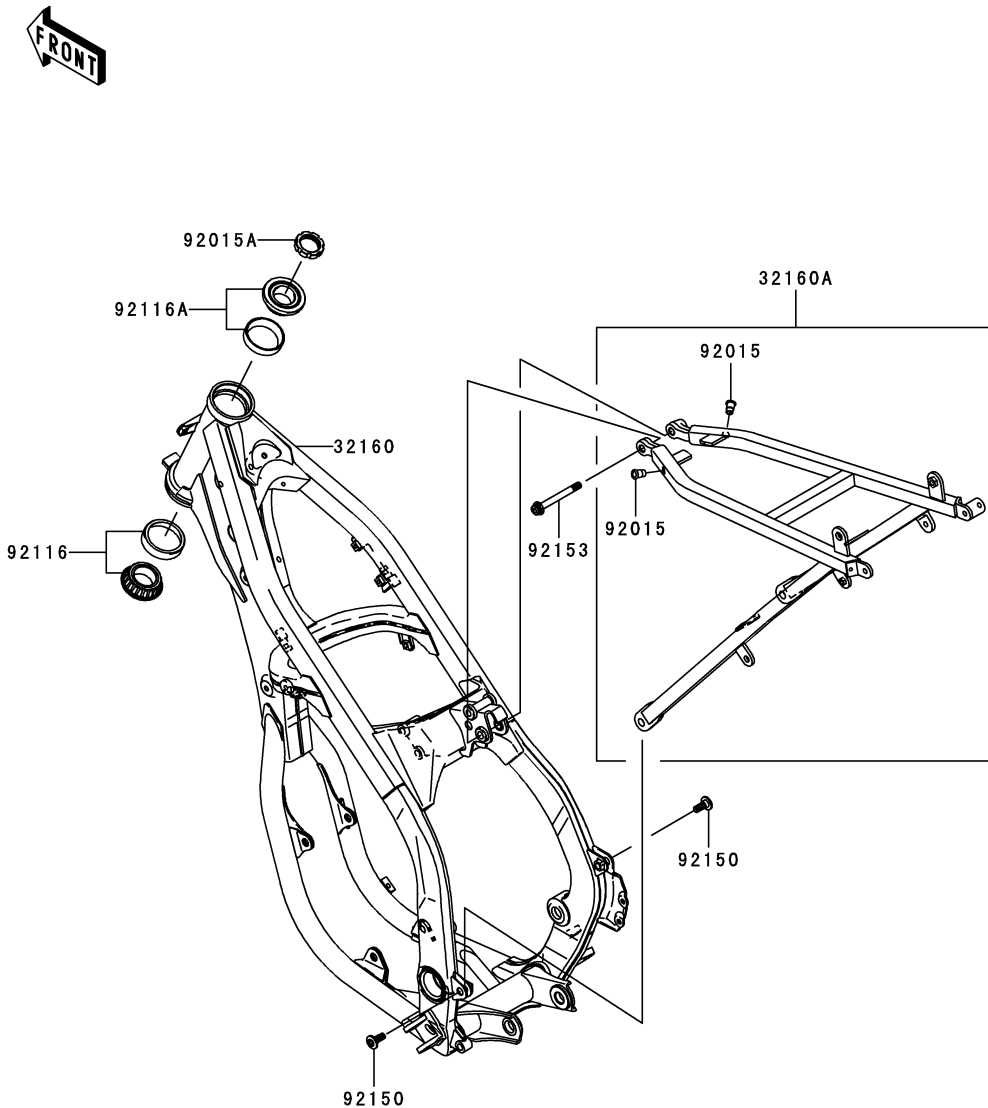
D-3

This grid covers:

Frame

F2120

Ref. No.	Part No.	Description	Spec Code	Quantity-KX250		
				'06	'07	'08
				R6F	R7F	R8F
32160	32160-0104-458	FRAME-COMP,FR,P.SILVER	1	1	1	
32160A	32160-0164	FRAME-COMP,RR	1	1	1	
92015	92015-1791	NUT,POP,6MM,L=15	2	2	2	
92015A	92015-1861	NUT,STEERING STEM,28MM	1	1	1	
92116	92116-1069	BEARING-ROLLER,HI-CAP32006JRRS	1	1	1	
92116A	92116-1076	BEARING-ROLLER,HI-CAP320/28JRR	1	1	1	
92150	92150-1760	BOLT,SOCKET,8X20	2	2	2	
92153	92153-1790	BOLT,SOCKET,8X74	1	1	1	



This catalog covers:

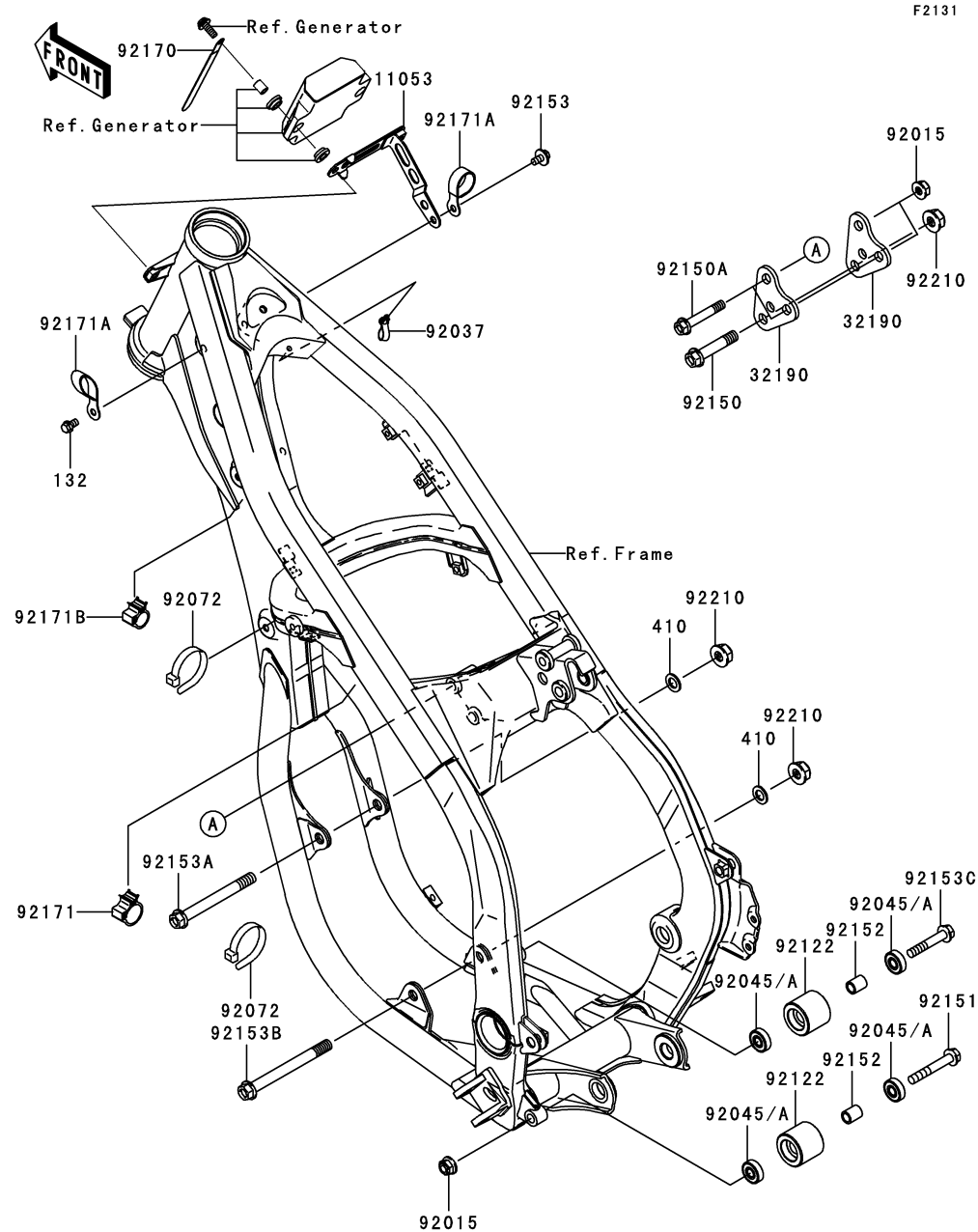
'06~'08 KX250 R6F/R7F/R8F Chassis

GRID NO.

D-4

This grid covers:

Frame Fittings



F2131

Ref. No.	Part No.	Description	Spec Code	Quantity-KX250		
				'06	'07	'08
				R6F	R7F	R8F
11053	11053-1629	BRACKET,IGNITER	1	1	1	
32190	32190-0092	BRACKET-ENGINE	2	2	2	
92015	92015-1432	NUT,8MM	3	3	3	
92037	92037-1290	CLAMP,SPEED,L=43	1	1	1	
92045	92045-0060	BEARING-BALL,608LLU/2A			4	
92045A	92045-1009	BEARING-BALL,608LLU/2A	4	4		
92072	92072-1293	BAND,L=140	2	2	2	
92122	92122-0007	ROLLER,CHAIN GUIDE	2	2	2	
92150	92150-1125	BOLT,FLANGED,10X50	1	1	1	
92150A	92150-1214	BOLT,FLANGED,8X50	2	2	2	
92151	92151-1377	BOLT,FLANGED,8X52	1	1	1	
92152	92152-0211	COLLAR,8.5X12.5X15.5	2	2	2	
92153	92153-0503	BOLT,6X12	1	1	1	
92153A	92153-0613	BOLT,FLANGED,10X95	1	1	1	
92153B	92153-0614	BOLT,FLANGED,10X105	1	1	1	
92153C	92153-0751	BOLT,FLANGED,8X45	1	1	1	
92170	92170-1925	CLAMP	1	1	1	
92171	92171-0081	CLAMP,DIA=20	1	1	1	
92171A	92171-1279	CLAMP	2	2	2	
92171B	92171-1424	CLAMP,DIA=15	1	1	1	
92210	92210-1080	NUT,LOCK,FLANGED,10MM	3	3	3	
132	132L0610	BOLT-FLANGED-SMALL,6X10	1	1	1	
410	410B1000	WASHER-PLAIN-SMALL,10MM	2	2	2	

This catalog covers:

'06~'08 KX250 R6F/R7F/R8F Chassis

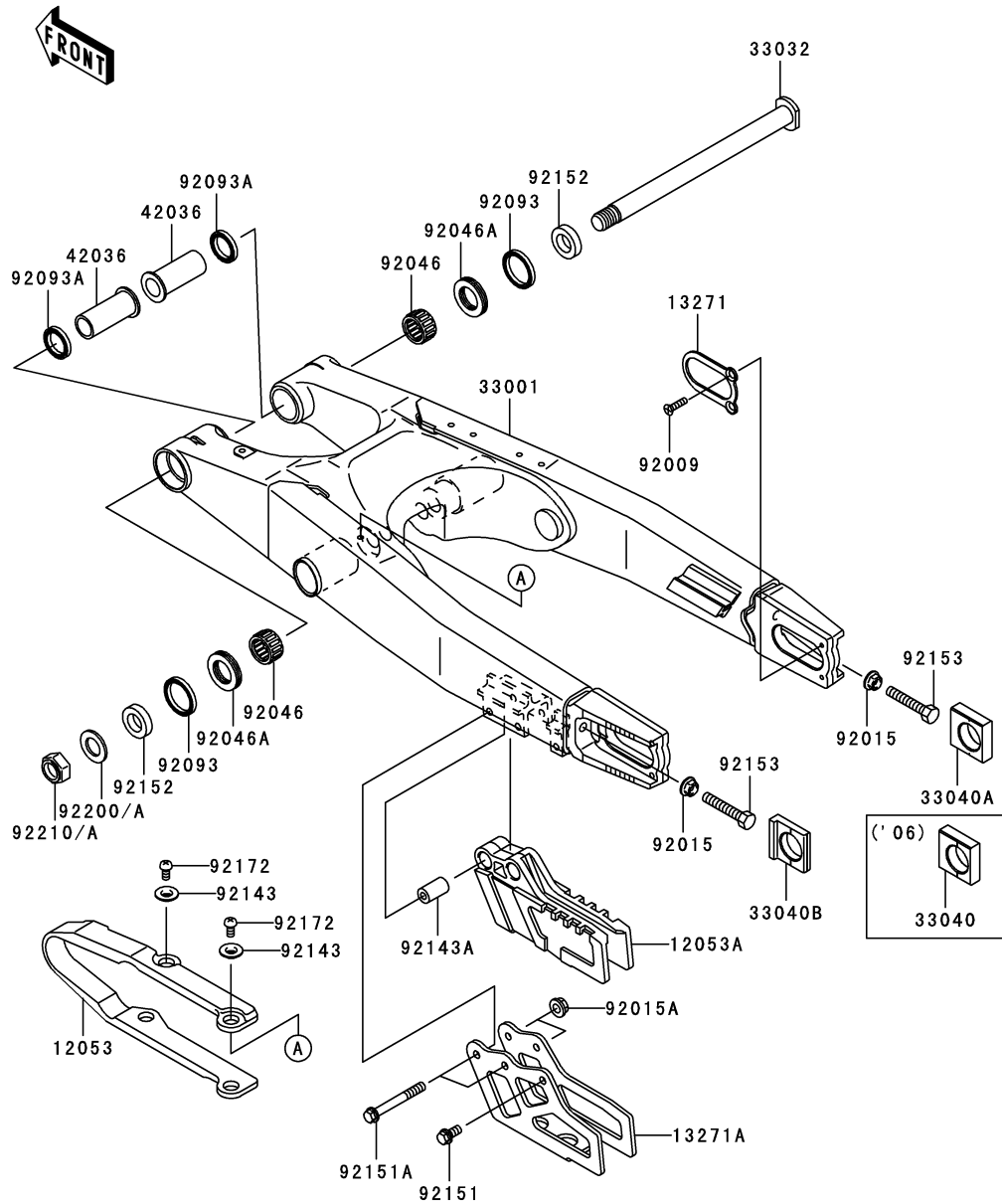
GRID NO.

D-5

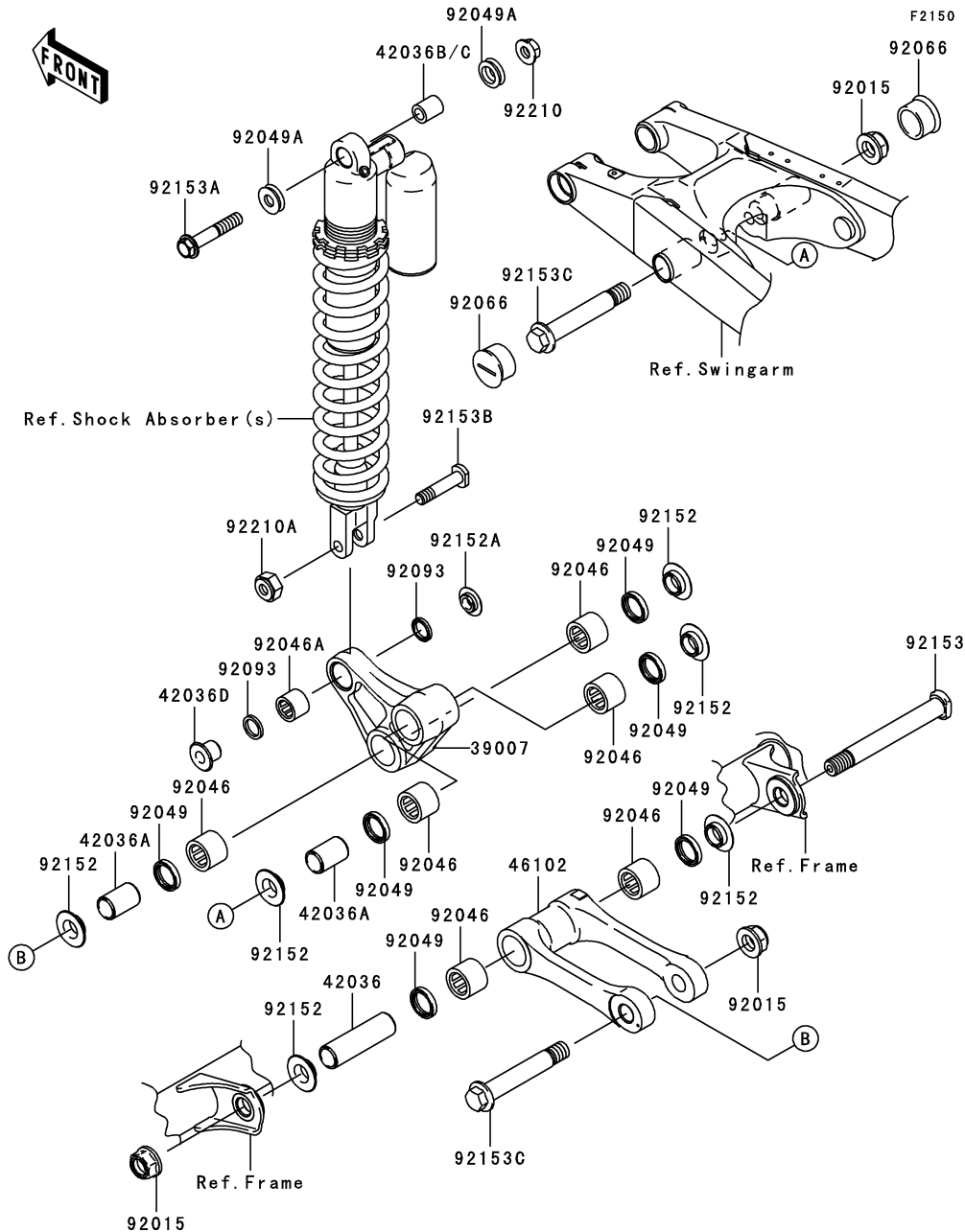
This grid covers:

Swingarm

F2141



Ref. No.	Part No.	Description	Spec Code	Quantity-KX250			
				'06	'07	'08	
				R6F	R7F	R8F	
12053	12053-0020	GUIDE-CHAIN,DRIVE,FR	1	1	1		
12053A	12053-1468	GUIDE-CHAIN	1	1	1		
13271	13271-1833	PLATE,AXLE	2	2	2		
13271A	13271-1834	PLATE,CHAIN GUIDE	1	1	1		
33001	33001-0065-458	ARM-COMP-SWING,P.SILVER	1	1	1		
33032	33032-1189	SHAFT-SWING ARM	1	1	1		
33040	33040-0013	ADJUSTER-CHAIN,RH	1				
33040A	33040-0020	ADJUSTER-CHAIN,RH		1	1		
33040B	33040-1189	ADJUSTER-CHAIN,LH	1	1	1		
42036	42036-1326	SLEEVE,SWING ARM,L=54	2	2	2		
92009	92009-1828	SCREW,5X10	4	4	4		
92015	92015-1014	NUT,FLANGED,8MM	2	2	2		
92015A	92015-1078	NUT,FLANGED,6MM	2	2	2		
92046	92046-1174	BEARING-NEEDLE,TA2230Z	2	2	2		
92046A	92046-1240	BEARING-NEEDLE,NTBR22356E01	2	2	2		
92093	92093-1434	SEAL,SDO29X35X4.5	2	2	2		
92093A	92093-1435	SEAL,SDO22X29X5	2	2	2		
92143	92143-1676	COLLAR	4	4	4		
92143A	92143-1867	COLLAR,6.5X14X24	2	2	2		
92151	92151-1133	BOLT,6X12	1	1	1		
92151A	92151-1234	BOLT,6X50	2	2	2		
92152	92152-1137	COLLAR,17.1X29X7.5	2	2	2		
92153	92153-0620	BOLT,8X56	2	2	2		
92172	92172-0119	SCREW,5X8	4	4	4		
92200	92200-0202	WASHER,17.2X30X2.3	1	1			
92200A	92200-0285	WASHER,17.2X30X2.3				1	
92210	92210-0179	NUT,LOCK,16MM	1	1			
92210A	92210-0285	NUT,LOCK,16MM				1	



Ref. No.	Part No.	Description	Spec Code	Quantity-KX250		
				'06	'07	'08
				R6F	R7F	R8F
	39007	39007-0016	ARM-SUSP,UNI TRAK	1	1	1
	42036	42036-0014	SLEEVE, 15X20X80	1	1	1
	42036A	42036-0015	SLEEVE, 15X20X41.8	2	2	2
	42036B	42036-0030	SLEEVE, 10X16X19.3		1	1
	42036C	42036-1248	SLEEVE, 10X16X19	1		
	42036D	42036-1351	SLEEVE	1	1	1
	46102	46102-0060	ROD,SUSPENSION	1	1	1
	92015	92015-1401	NUT,FLANGED,14MM	3	3	3
	92046	92046-1151	BEARING-NEEDLE,F-2016	6	6	6
	92046A	92046-1301	BEARING-NEEDLE,7E-HVS16X22X12	1	1	1
	92049	92049-0027	SEAL-OIL,HF020N3-A	6	6	6
	92049A	92049-0069	SEAL-OIL	2	2	2
	92066	92066-0026-6Z	PLUG,SWING ARM,F.BLACK	2	2	2
	92093	92093-1436	SEAL	2	2	2
	92152	92152-0108	COLLAR	6	6	6
	92152A	92152-1139	COLLAR	1	1	1
	92153	92153-0407	BOLT, 14MM, L=116	1	1	1
	92153A	92153-0828	BOLT,FLANGED,10X56	1	1	1
	92153B	92153-0937	BOLT, 10X45	1	1	1
	92153C	92153-1458	BOLT, 14MM, L=92	2	2	2
	92210	92210-1080	NUT,LOCK,FLANGED,10MM	1	1	1
	92210A	92210-1184	NUT,LOCK,10MM	1	1	1

This catalog covers:

'06~'08 KX250 R6F/R7F/R8F Chassis

GRID NO.

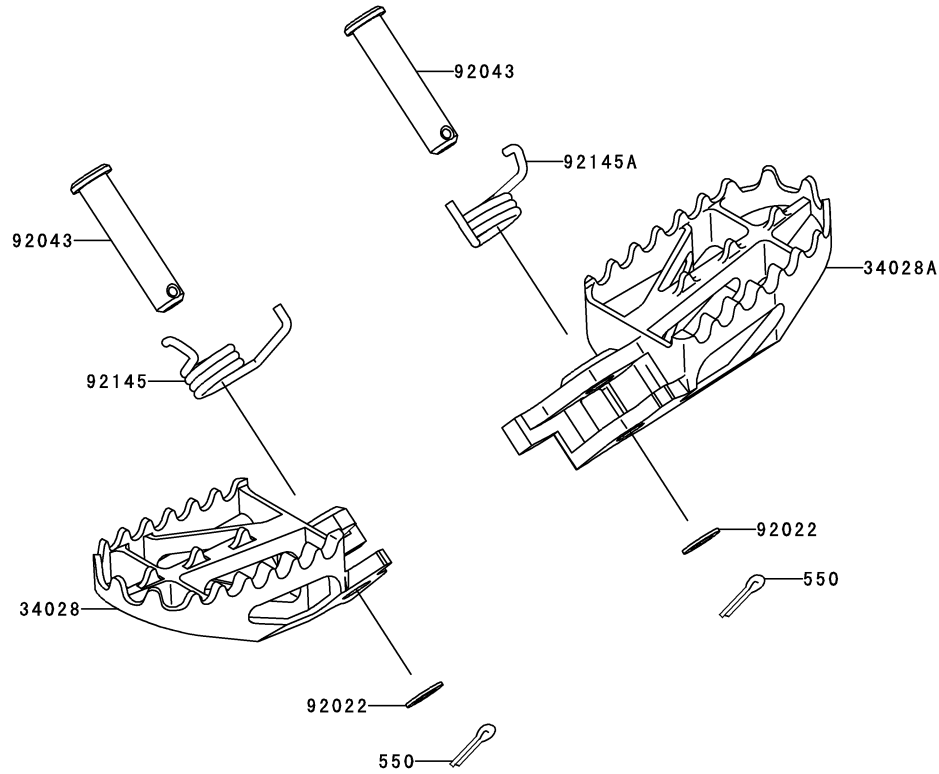
D-7

This grid covers:

Footrests



F2160



Ref. No.	Part No.	Description	Spec Code	Quantity-KX250				
				'06	'07	'08		
				R6F	R7F	R8F		
34028	34028-0014	STEP,LH	1	1	1			
34028A	34028-0015	STEP,RH	1	1	1			
92022	92022-1829	WASHER,10.2X16X1	2	2	2			
92043	92043-0074	PIN,10X42.5	2	2	2			
92145	92145-0195	SPRING,STEP,LH	1	1	1			
92145A	92145-0196	SPRING,STEP,RH	1	1	1			
550	550S3020	PIN-COTTER,3.0X20	2	2	2			

This catalog covers:

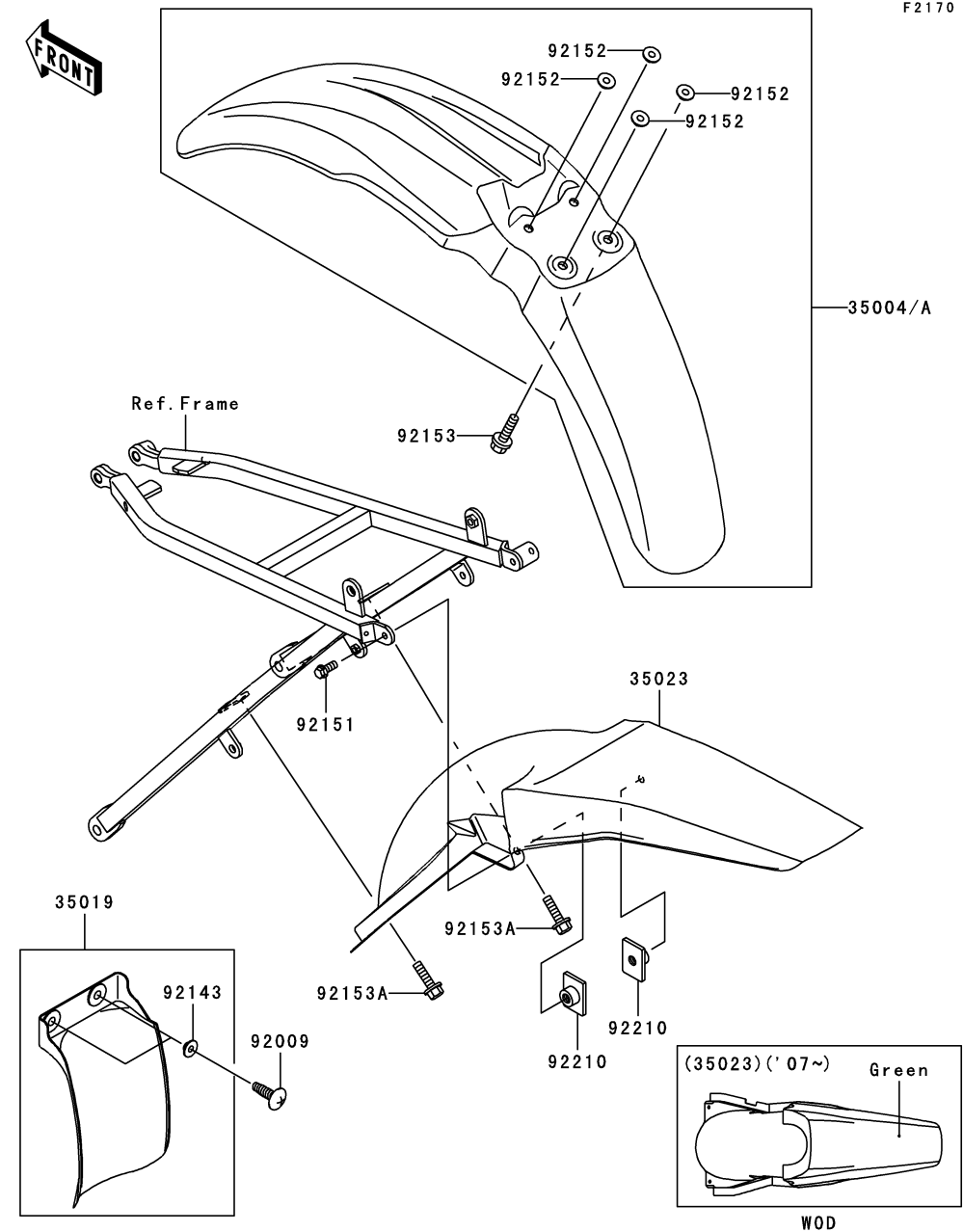
'06~'08 KX250 R6F/R7F/R8F Chassis

GRID NO.

D-8

This grid covers:

Fenders



Ref. No.	Part No.	Description	Spec Code	Quantity-KX250			
				'06	'07	'08	
				R6F	R7F	R8F	
35004	35004-0050-290	FENDER-FRONT,L.GREEN	1	1			
35004A	35004-0078-290	FENDER-FRONT,L.GREEN			1		
35019	35019-1402-6Z	FLAP,AIR FILTER,F.BLACK	1	1	1		
35023	35023-1587-290	FENDER-REAR,L.GREEN	1	1	1		
92009	92009-1993	SCREW,TAPPING,5X20	2	2	2		
92143	92143-1087	COLLAR	2	2	2		
92151	92151-1423	BOLT,6X14	1	1	1		
92152	92152-1422	COLLAR	4	4	4		
92153	92153-0502	BOLT,6X20	4	4	4		
92153A	92153-0950	BOLT,FLANGED,6X22	2	2	2		
92210	92210-1352	NUT,PLATE,6MM	2	2	2		

This catalog covers:

'06~'08 KX250 R6F/R7F/R8F Chassis

GRID NO.

D-9

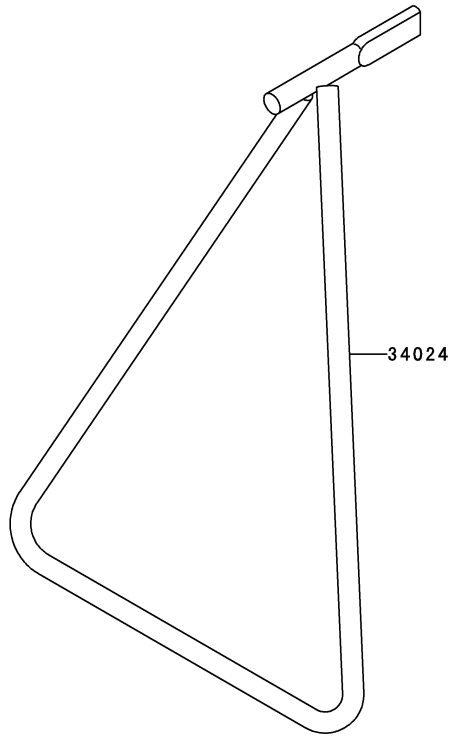
This grid covers:

Stand(s)



F2190

Ref. No.	Part No.	Description	Spec Code	Quantity-KX250			
				'06	'07	'08	
34024	34024-1396-458	STAND-SIDE,P.SILVER		1	1	1	



This catalog covers:

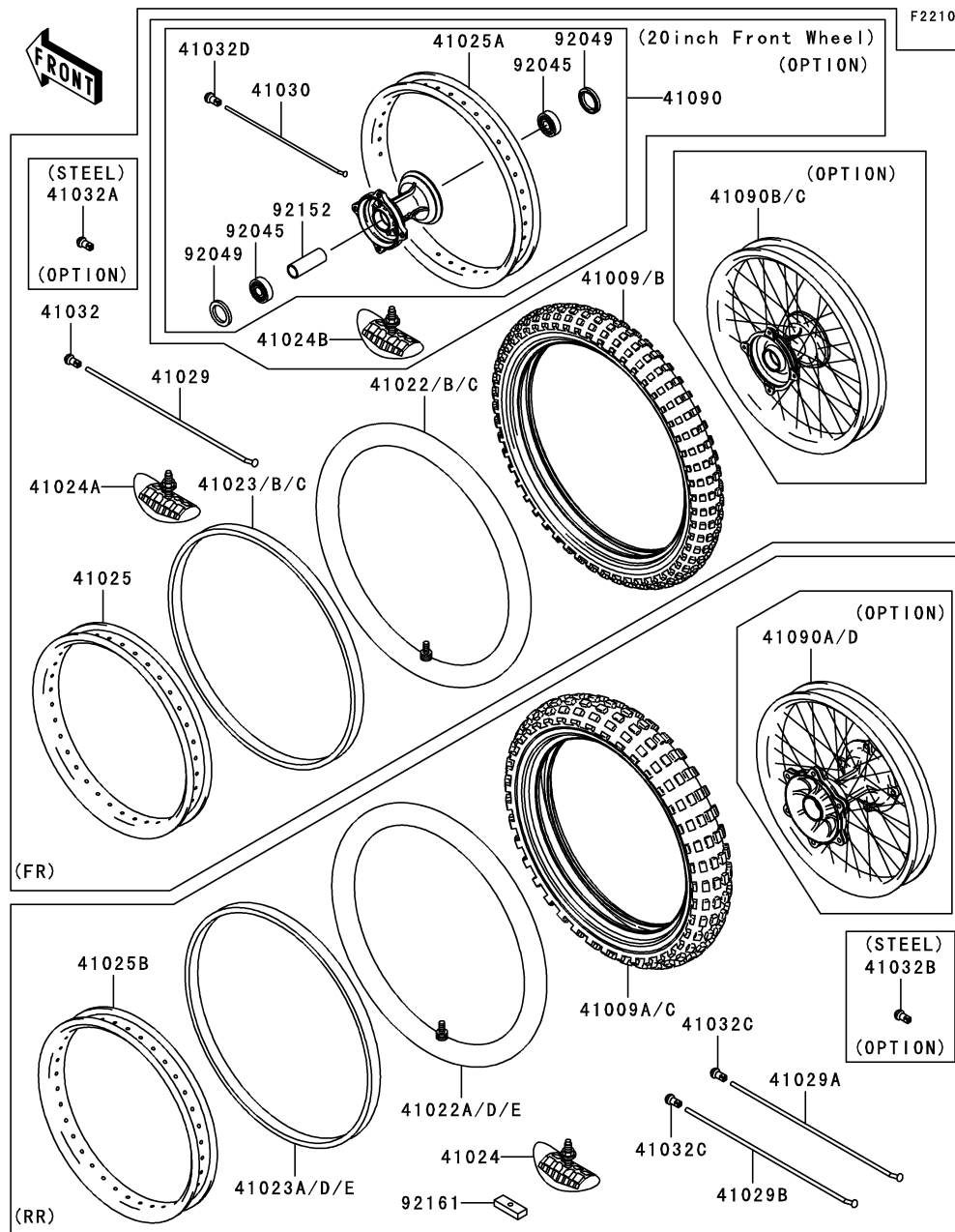
'06~'08 KX250 R6F/R7F/R8F Chassis

GRID NO.

D-10

This grid covers:

Tires(1/2)



Ref. No.	Part No.	Description	Spec Code	Quantity-KX250			
				'06	'07	'08	
				R6F	R7F	R8F	
41009	41009-0064	TIRE,FR,80/100-21 51M,M401(BS)	AS	1	1	1	
	L-----						
41009A	41009-0077	TIRE,RR,110/90-19 62M,M402(BS)	AS	1	1	1	
	L-----						
41009B	41009-1209	TIRE,FR,80/100-21 51M,D755FJ(D)	EU	1	1	1	
	L-----						
41009C	41009-1210	TIRE,RR,110/90-19 62M,D755J(D)	EU	1	1	1	
	L-----						
41022	41022-0022	TUBE-TIRE,90/100-21(D)	EU		1	1	
	L-----						
41022A	41022-0023	TUBE-TIRE,120/80-19(D)	EU		1	1	
	L-----						
41022B	41022-1107	TUBE-TIRE,MC90/90-21(BS)	AS	1	1	1	
	L-----						
41022C	41022-1118	TUBE-TIRE,80/100-21(D)	EU		1		
	L-----						
41022D	41022-1140	TUBE-TIRE,110/90-19(BS)	AS	1	1	1	
	L-----						
41022E	41022-1150	TUBE-TIRE,110/90-19(D)	EU		1		
	L-----						
41023	41023-0009	BAND-RIM,90/100-21(D)	EU		1	1	
	L-----						
41023A	41023-0010	BAND-RIM,120/80-19(D)	EU		1	1	
	L-----						
41023B	41023-1009	BAND-RIM,X-21(BS)	AS	1	1	1	
	L-----						
41023C	41023-1069	BAND-RIM,80/100-21(D)	EU		1		
	L-----						
41023D	41023-1081	BAND-RIM,110/90-19(BS)	AS	1	1	1	
	L-----						
41023E	41023-1084	BAND-RIM,110/90-19(D)	EU		1		
	L-----						
41024	41024-009	STOPPER-RIM,2.15-M(DUNLOP)		1	1	1	
41024A	41024-010	STOPPER-RIM,1.60-M(DUNLOP)		1	1	1	
41024B	41024-011	STOPPER-RIM,1.85-M(DUNLOP)		1	1	1	
	(OPTION)						
41025	41025-0014	RIM,FR,1.60X21		1	1	1	
41025A	41025-0015	RIM,FR,1.85X20		1	1	1	
	(OPTION)						
41025B	41025-0016	RIM,RR,2.15X19		1	1	1	
41029	41029-0003	SPOKE-INNER,FR		36	36	36	
41029A	41029-1204	SPOKE-INNER,RR,202MMX160D		27	27	27	

This catalog covers:

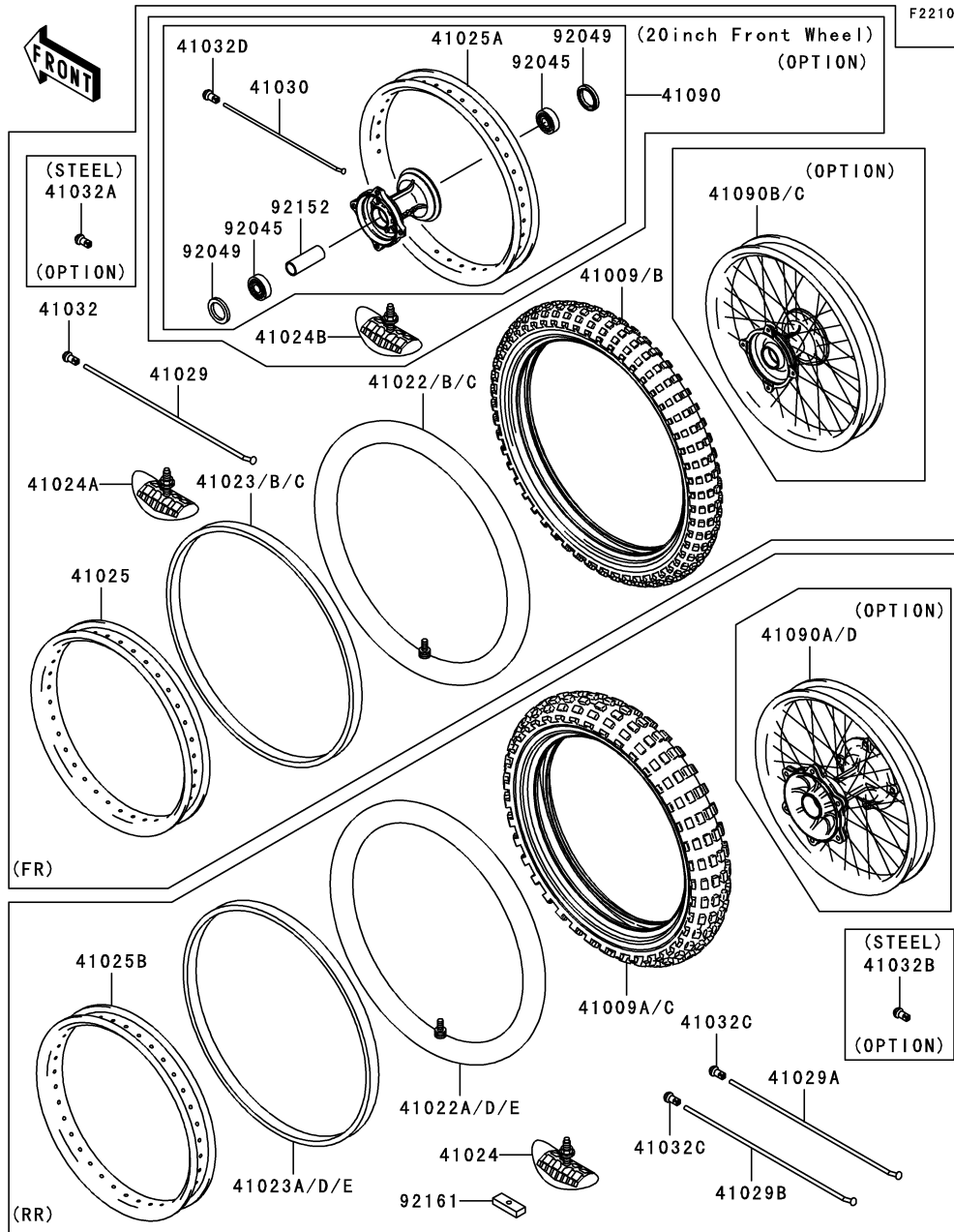
'06~'08 KX250 R6F/R7F/R8F Chassis

GRID NO.

D-11

This grid covers:

Tires(2/2)



Ref. No.	Part No.	Description	Spec Code	Quantity-KX250		
				'06	'07	'08
				R6F	R7F	R8F
41029B	41029-1330	SPOKE-INNER,RR,204MMX159D	9	9	9	
41030	41030-1172	SPOKE-OUTER,FR,217.5MMX170D	36	36	36	
41032	41032-0002	NIPPLE-SPOKE,ALUMINIUM	36	36	36	
41032A	41032-1077	NIPPLE-SPOKE,8X9X20(+)	36	36	36	
41032B	41032-1085	NIPPLE-SPOKE,STEEL	36	36	36	
41032C	41032-1086	NIPPLE-SPOKE,ALUMINIUM	36	36	36	
41032D	41032-1086	NIPPLE-SPOKE,ALUMINIUM	36	36	36	
41090	41090-0012	WHEEL,FR,1.85X20,ALUM NIPPLE	1	1	1	
41090A	41090-0014	WHEEL,RR,2.15X19,ALUM NIPPLE	1			
41090B	41090-0022	WHEEL,FR,1.60X21,ALUM NIPPLE	1			
41090C	41090-0036-10Y	WHEEL,FR,1.60X21,AL NIPPLE,GLD		1	1	
41090D	41090-0038-10Y	WHEEL,RR,2.15X19,AL NIPPLE,GLD		1	1	
92045	92045-1284	BEARING-BALL,69042RS	2	2	2	
92049	92049-1403	SEAL-OIL,BJNC-2 25X37X5	2	2	2	
92152	92152-1472	COLLAR,FRONT BRAKE DRUM,L=72	1	1	1	
92161	92161-1184	DAMPER,RIM STOPPER	1	1	1	

This catalog covers:

'06~'08 KX250 R6F/R7F/R8F Chassis

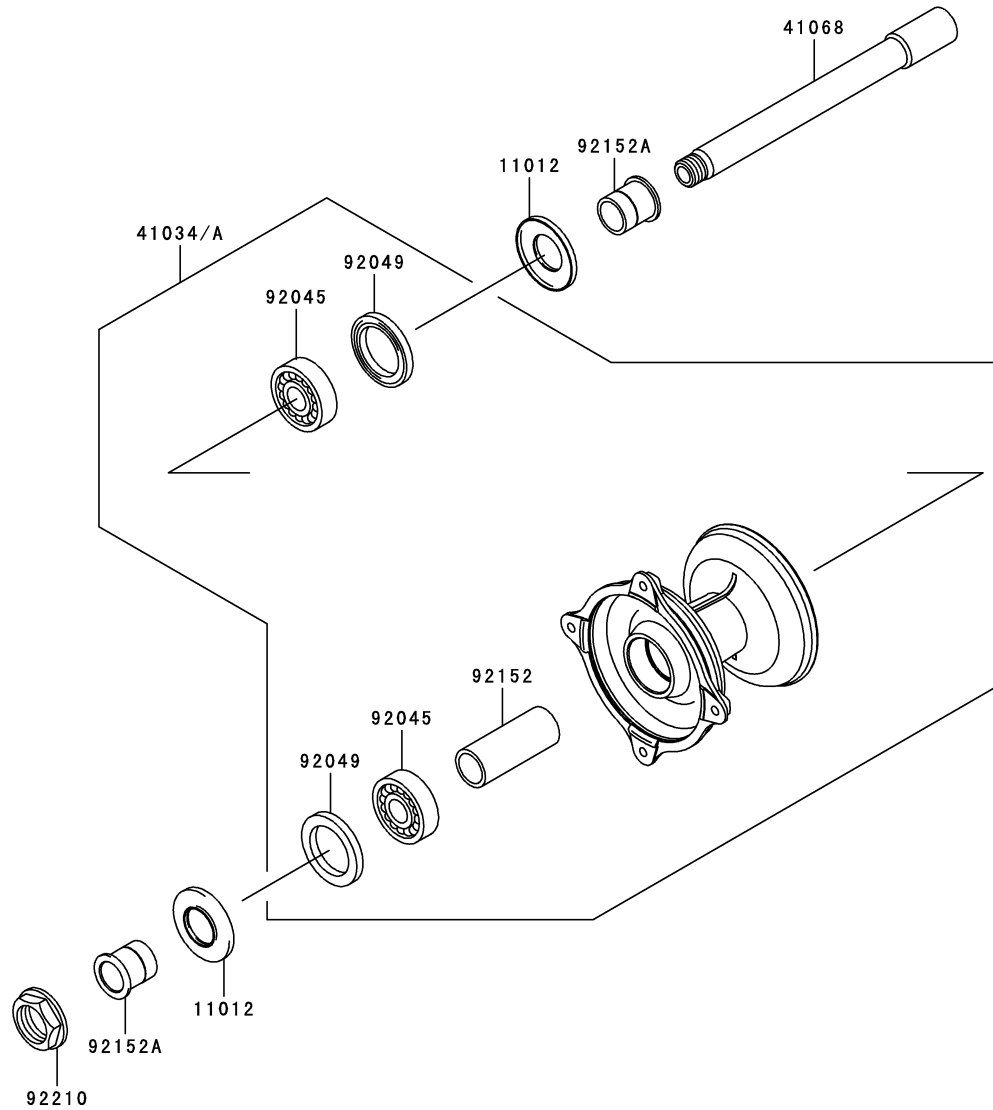
GRID NO.

D-12

This grid covers:

Front Hub

F2230



Ref. No.	Part No.	Description	Spec Code	Quantity-KX250		
				'06	'07	'08
				R6F	R7F	R8F
11012	11012-1581	CAP,AXLE	2	2	2	
41034	41034-0034	DRUM-ASSY,FRONT BRAKE	1			
41034A	41034-0037-10Y	DRUM-ASSY,FRONT BRAKE,M.M.GOLD		1	1	
41068	41068-0004	AXLE,FR	1	1	1	
92045	92045-1284	BEARING-BALL,69042RS	2	2	2	
92049	92049-1403	SEAL-OIL,BJNC-2 25X37X5	2	2	2	
92152	92152-0028	COLLAR,FRONT BRAKE DRUM,L=65	1	1	1	
92152A	92152-0324	COLLAR,FR AXLE,L=27.5	2	2	2	
92210	92210-0065	NUT,18MM	1	1	1	

This catalog covers:

'06~'08 KX250 R6F/R7F/R8F Chassis

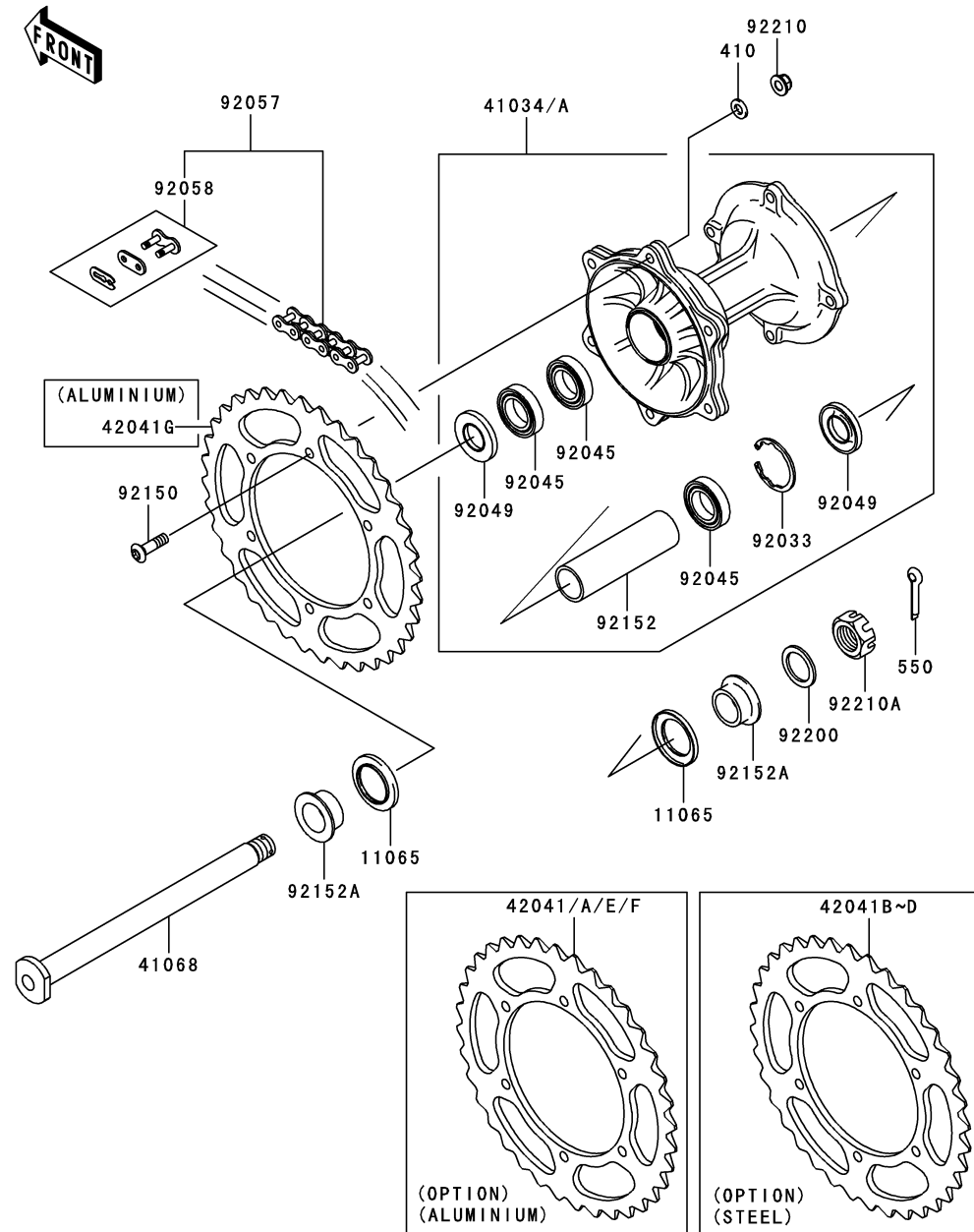
GRID NO.

D-13

This grid covers:

Rear Hub

F2240



Ref. No.	Part No.	Description	Quantity-KX250			
			'06	'07	'08	
			R6F	R7F	R8F	
11065	11065-1253	CAP,AXLE	2	2	2	
41034	41034-0004	DRUM-ASSY,REAR BRAKE	1			
41034A	41034-0038-10Y	DRUM-ASSY,REAR BRAKE,M.M.GOLD		1	1	
41068	41068-1466	AXLE,RR	1	1	1	
42041	42041-0001 (OPTION)	SPROCKET-HUB,52T,AL	1	1	1	
42041A	42041-0002 (OPTION)	SPROCKET-HUB,53T,AL	1	1	1	
42041B	42041-1408 (OPTION)	SPROCKET-HUB,50T	1	1	1	
42041C	42041-1428 (OPTION)	SPROCKET-HUB,51T	1	1	1	
42041D	42041-1429 (OPTION)	SPROCKET-HUB,52T	1	1	1	
42041E	42041-1449 (OPTION)	SPROCKET-HUB,49T,AL	1	1	1	
42041F	42041-1450 (OPTION)	SPROCKET-HUB,50T,AL	1	1	1	
42041G	42041-1451	SPROCKET-HUB,51T,AL	1	1	1	
92033	92033-1041	RING-SNAP,42MM	1	1	1	
92045	92045-1446	BEARING-BALL,69052RS	3	3	3	
92049	92049-1614	SEAL-OIL	2	2	2	
92057	92057-0086	CHAIN,DRIVE,DID520DMA2SDHX116L	1	1	1	
92058	92058-1074	JOINT-CHAIN,DRIVE	1	1	1	
92150	92150-1978	BOLT,SOCKET,8X28	6	6	6	
92152	92152-1427	COLLAR,REAR BRAKE DRUM,L=106.5	1	1	1	
92152A	92152-1473	COLLAR,RR AXLE,L=17	2	2	2	
92200	92200-1623	WASHER,22.5X35X2.3	1	1	1	
92210	92210-0159	NUT,FLANGED,LOCK,8MM	6	6	6	
92210A	92210-1411	NUT,CASTLE,22MM	1	1	1	
410	410B0800	WASHER-PLAIN-SMALL,8MM	6	6	6	
550	550D3035	PIN-COTTER,3.0X35	1	1	1	

This catalog covers:

'06~'08 KX250 R6F/R7F/R8F Chassis

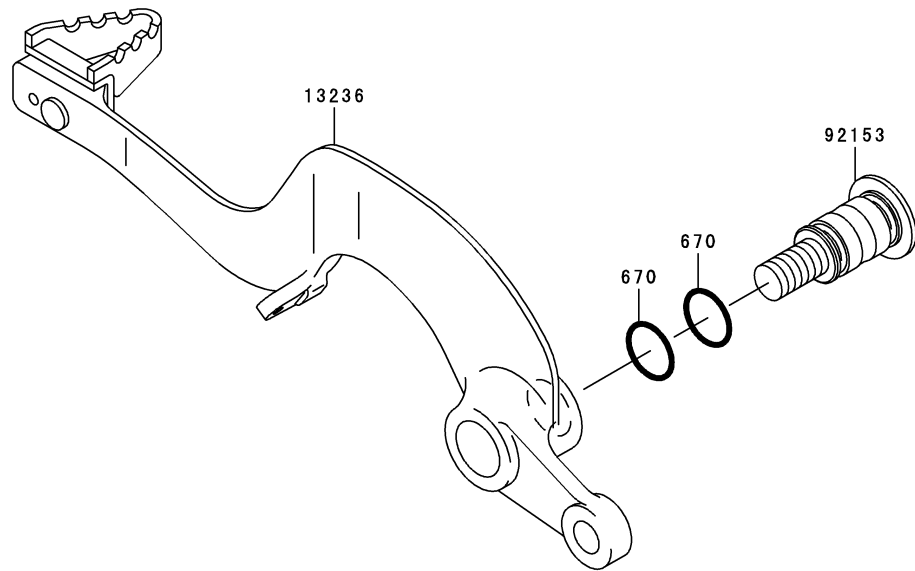
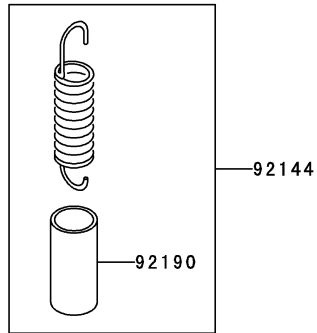
GRID NO.

D-14

This grid covers:

Brake Pedal

F2260



Ref. No.	Part No.	Description	Spec Code	Quantity-KX250				
				'06	'07	'08		
				R6F	R7F	R8F		
13236	13236-0057	LEVER-COMP,BRAKE PEDAL	1	1	1			
92144	92144-1752	SPRING,BRAKE PEDAL RETURN	1	1	1			
92153	92153-0974	BOLT,BRAKE PEDAL,10MM	1	1	1			
92190	92190-1488	TUBE,13X16X25	1	1	1			
670	670B2012	O RING,12MM	2	2	2			

This catalog covers:

'06~'08 KX250 R6F/R7F/R8F Chassis

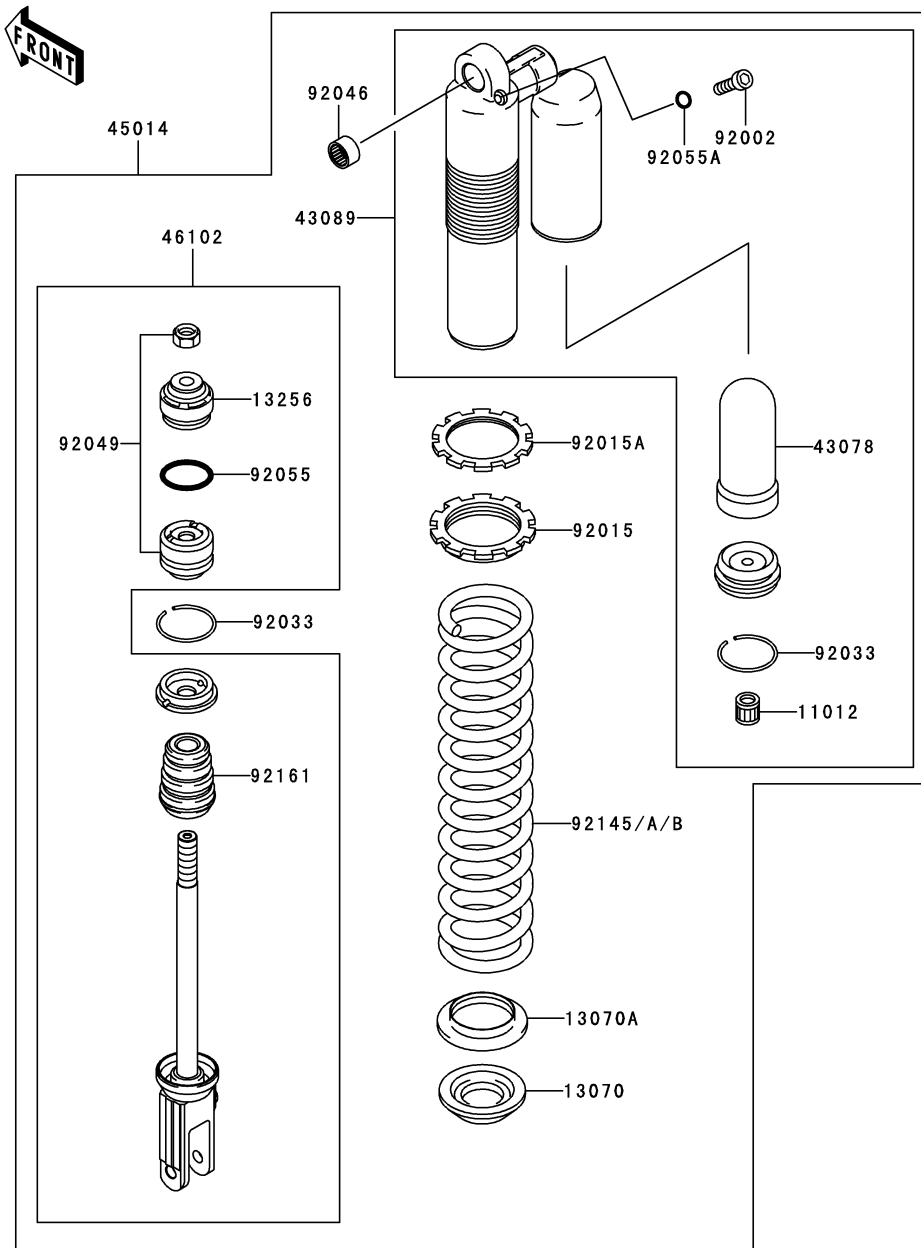
GRID NO.

E-3

This grid covers:

Shock Absorber(s)

F2280



Ref. No.	Part No.	Description	Spec Code	Quantity-KX250		
				'06	'07	'08
				R6F	R7F	R8F
11012	11012-1552	CAP,AIR VALVE	1	1	1	
13070	13070-0029	GUIDE,SPRING	1	1	1	
13070A	13070-1362	GUIDE,SPRING	1	1	1	
13256	13256-0002	PISTON,SHOCKABSORBER	1	1	1	
43078	43078-1125	RESERVOIR,SHOCKABSORBER	1	1	1	
43089	43089-0015-829	CYLINDER-SHOCKABSORBER,GOLD	1	1	1	
45014	45014-5014	SHOCKABSORBER	1	1	1	
46102	46102-0073	ROD,SHOCKABSORBER	1	1	1	
92002	92002-1955	BOLT,DRAIN	1	1	1	
92015	92015-1703	NUT,SPRING ADJUST	1	1	1	
92015A	92015-1704	NUT,SPRING ADJUST LOCK	1	1	1	
92033	92033-1209	RING-SNAP	2	2	2	
92046	92046-1301	BEARING-NEEDLE,7E-HVS16X22X12	1	1	1	
92049	92049-0057	SEAL-OIL	1	1	1	
92055	92055-1346	RING-O,ROD	1	1	1	
92055A	92055-1383	RING-O	1	1	1	
92145	92145-0015-8V (OPTION)	SPRING,SHOCK,K=50.0N/MM,SIL	1	1	1	
92145A	92145-0016-8V	SPRING,SHOCK,K=52N/MM,I.SILVER	1	1	1	
92145B	92145-0244-8V (OPTION)	SPRING,SHOCK,K=54N/MM,I.SILVER	1	1	1	
92161	92161-1172	DAMPER,SHOCKABSORBER	1	1	1	

This catalog covers:

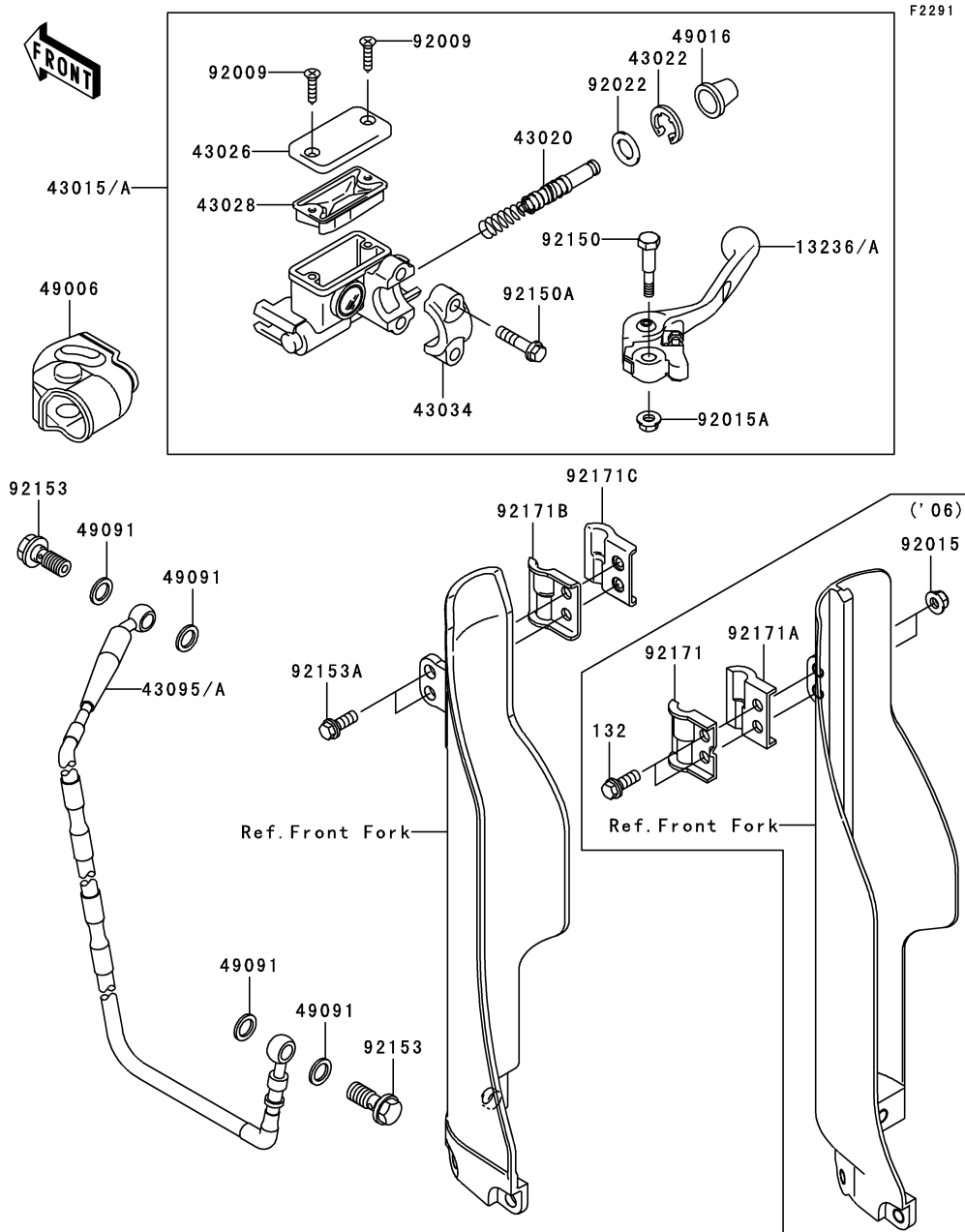
'06~'08 KX250 R6F/R7F/R8F Chassis

GRID NO.

E-4

This grid covers:

Front Master Cylinder



F2291

Ref. No.	Part No.	Description	Spec Code	Quantity-KX250			
				'06	'07	'08	
				R6F	R7F	R8F	
13236	13236-0070	LEVER-COMP,FRONT BRAKE	1	1			
13236A	13236-1346	LEVER-COMP,FRONT BRAKE			1		
43015	43015-0041	CYLINDER-ASSY-MASTER,FR	1	1			
43015A	43015-1674	CYLINDER-ASSY-MASTER,FR			1		
43020	43020-1123	PISTON-COMP-BRAKE	1	1	1		
43022	43022-1010	STOPPER-BRAKE,PISTON	1	1	1		
43026	43026-1075	CAP-BRAKE	1	1	1		
43028	43028-1067	DIAPHRAGM	1	1	1		
43034	43034-1110	HOLDER-BRAKE	1	1	1		
43095	43095-0060	HOSE-BRAKE,FR	1				
43095A	43095-0286	HOSE-BRAKE,FR			1	1	
49006	49006-1344	BOOT,FRONT BRAKE LEVER	1	1	1		
49016	49016-1044	COVER-SEAL,MASTER CYLINDER	1	1	1		
49091	49091-0001	WASHER-SEAL,10.1X14.5X1.5	4	4	4		
92009	92009-1458	SCREW,4MM	2	2	2		
92015	92015-1339	NUT,LOCK,FLANGED,6MM	2				
92015A	92015-1528	NUT,FLANGED,6MM	1	1	1		
92022	92022-1814	WASHER	1	1	1		
92150	92150-1451	BOLT,LEVER SET	1	1	1		
92150A	92150-1452	BOLT	2	2	2		
92153	92153-0627	BOLT,OIL,L=23	2	2	2		
92153A	92153-0695	BOLT,6X16		2	2		
92171	92171-0235	CLAMP,BRAKE HOSE,OUTSIDE	1				
92171A	92171-0291	CLAMP,BRAKE HOSE,INSIDE	1				
92171B	92171-0481	CLAMP,BRAKE HOSE,LH		1	1		
92171C	92171-0482	CLAMP,BRAKE HOSE,RH		1	1		
132	132L0616	BOLT-FLANGED-SMALL,6X16	2				

This catalog covers:

'06~'08 KX250 R6F/R7F/R8F Chassis

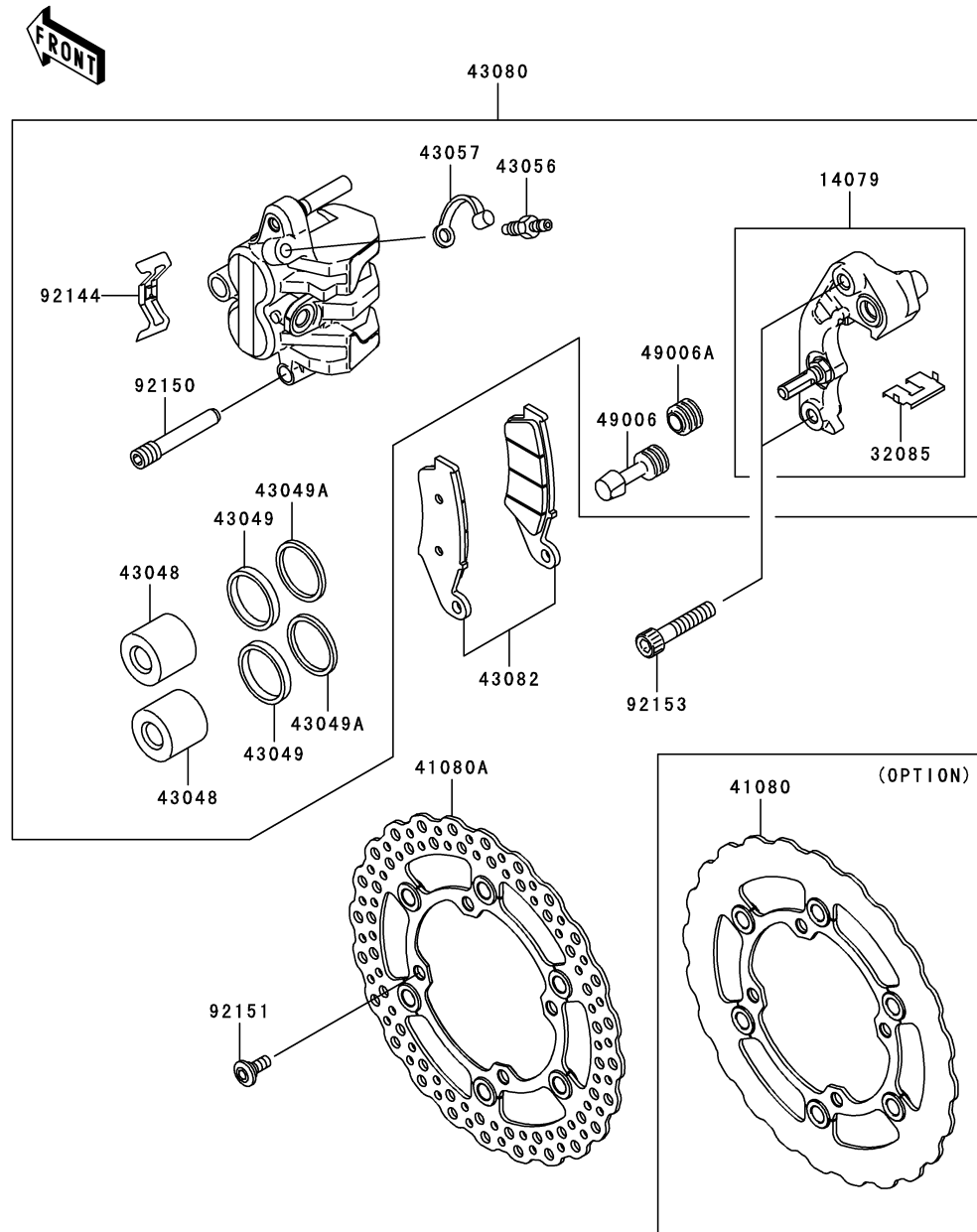
GRID NO.

E-5

This grid covers:

Front Brake

F2292



Ref. No.	Part No.	Description	Spec Code	Quantity-KX250		
				'06	'07	'08
				R6F	R7F	R8F
14079	14079-1097	HOLDER-ASSY,FRONT CALIPER	1	1	1	
32085	32085-1361	STOPPER,PAD	1	1	1	
41080	41080-0082	DISC,FR	1	1	1	
		(OPTION)				
41080A	41080-0090	DISC,FR	1	1	1	
43048	43048-1095	PISTON-CALIPER	2	2	2	
43049	43049-1060	PACKING,PISTON SEAL	2	2	2	
43049A	43049-1061	PACKING,PISTON SEAL	2	2	2	
43056	43056-1055	BREATHER	1	1	1	
43057	43057-1001	CAP-BREATHER	1	1	1	
43080	43080-0006	CALIPER-SUB-ASSY,FR,LH	1	1	1	
43082	43082-0026	PAD-ASSY-BRAKE	1	1	1	
49006	49006-1088	BOOT,CALIPER	1	1	1	
49006A	49006-1242	BOOT,CALIPER	1	1	1	
92144	92144-1721	SPRING,PAD	1	1	1	
92150	92150-1691	BOLT,HANGER	1	1	1	
92151	92151-1799	BOLT,DISC PLATE,6MM	4	4	4	
92153	92153-0517	BOLT,SOCKET,8X40	2	2	2	

This catalog covers:

'06~'08 KX250 R6F/R7F/R8F Chassis

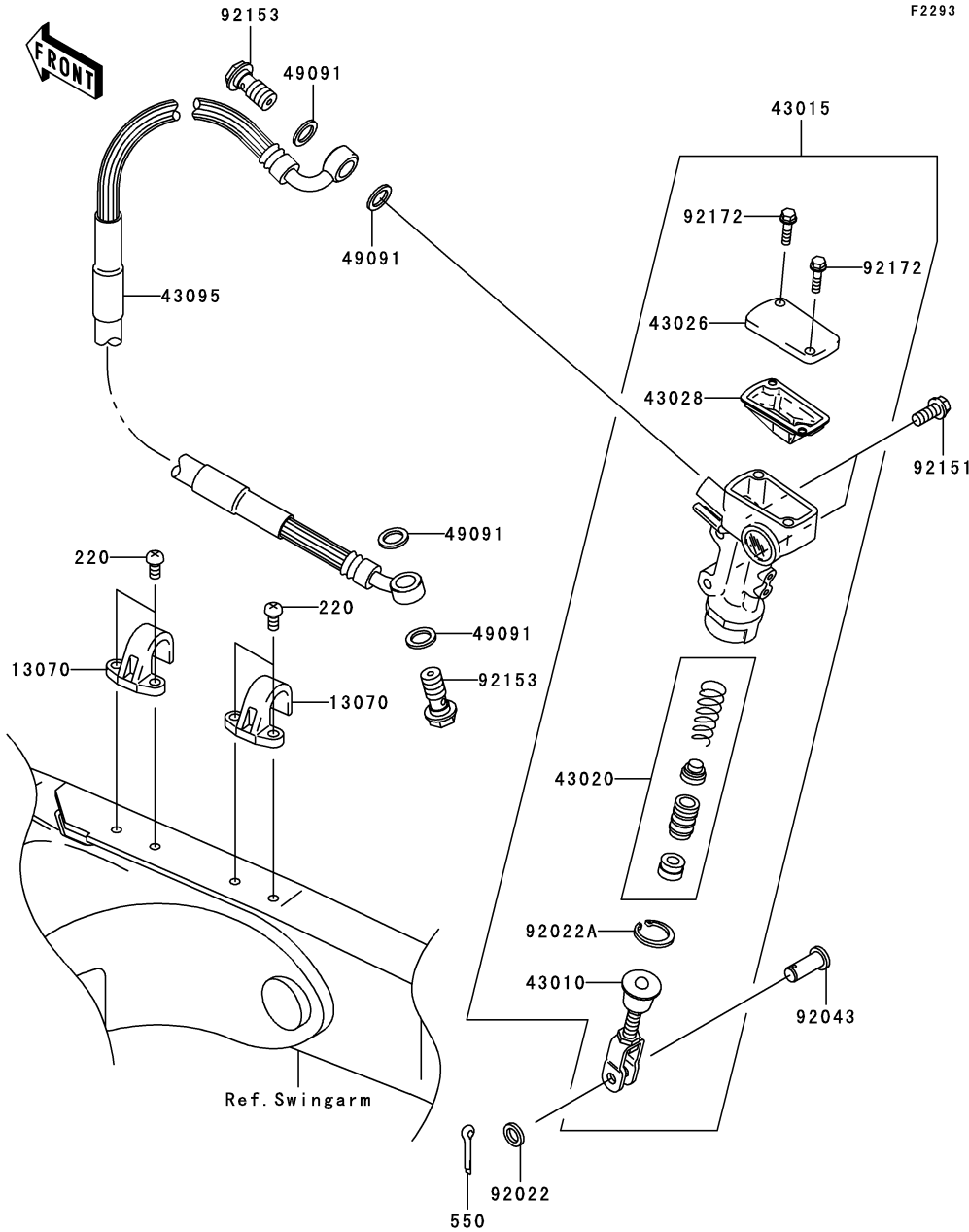
GRID NO.

E-6

This grid covers:

Rear Master Cylinder

F2293



Ref. No.	Part No.	Description	Spec Code	Quantity-KX250		
				'06	'07	'08
				R6F	R7F	R8F
13070	13070-0048	GUIDE,BRAKE HOSE	2	2	2	
43010	43010-1087	ROD-ASSY-BRAKE	1	1	1	
43015	43015-0004	CYLINDER-ASSY-MASTER,RR	1	1	1	
43020	43020-1094	PISTON-COMP-BRAKE	1	1	1	
43026	43026-1086	CAP-BRAKE	1	1	1	
43028	43028-1092	DIAPHRAGM	1	1	1	
43095	43095-0047	HOSE-BRAKE,RR	1	1	1	
49091	49091-0001	WASHER-SEAL,10.1X14.5X1.5	4	4	4	
92022	92022-1028	WASHER,8.5X13X1	1	1	1	
92022A	92022-1601	WASHER,CIRCRIP	1	1	1	
92043	92043-0004	PIN	1	1	1	
92151	92151-1423	BOLT,6X14	2	2	2	
92153	92153-0627	BOLT,OIL,L=23	2	2	2	
92172	92172-1064	SCREW	2	2	2	
220	220B0510	SCREW-PAN-CROS,5X10	4	4	4	
550	550D2015	PIN-COTTER,2.0X15	1	1	1	

This catalog covers:

'06~'08 KX250 R6F/R7F/R8F Chassis

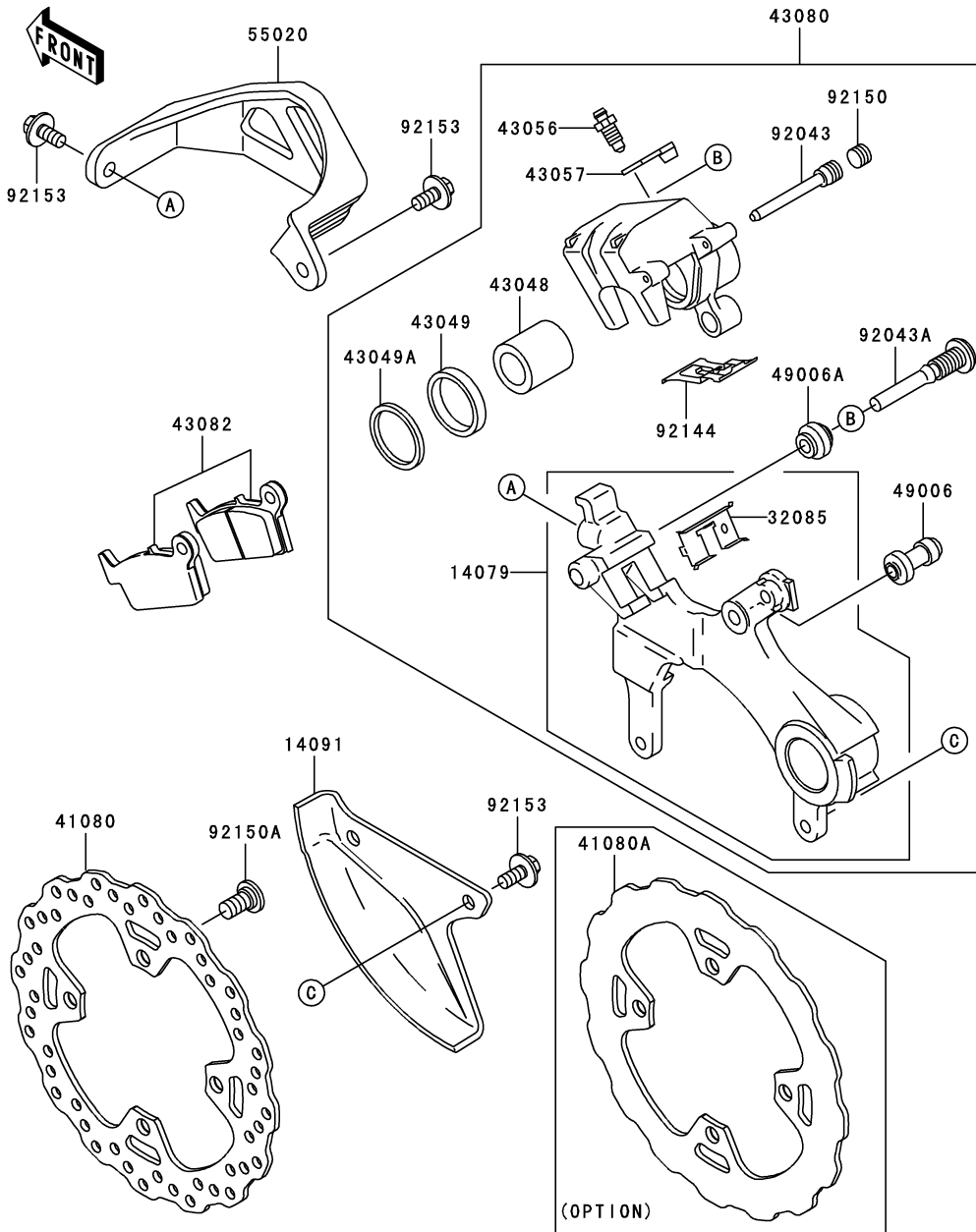
GRID NO.

E-7

This grid covers:

Rear Brake

F2294



Ref. No.	Part No.	Description	Spec Code	Quantity-KX250		
				'06	'07	'08
				R6F	R7F	R8F
14079	14079-1139	HOLDER-ASSY,REAR CALIPER	1	1	1	
14091	14091-1523-RZ	COVER,REAR DISC,WHITE	1	1	1	
32085	32085-1386	STOPPER,PAD	1	1	1	
41080	41080-0076	DISC,RR	1	1	1	
41080A	41080-0094	DISC,RR (OPTION)	1	1	1	
43048	43048-1068	PISTON-CALIPER	1	1	1	
43049	43049-1060	PACKING,PISTON SEAL	1	1	1	
43049A	43049-1061	PACKING,PISTON SEAL	1	1	1	
43056	43056-1055	BREATHER	1	1	1	
43057	43057-1001	CAP-BREATHER	1	1	1	
43080	43080-0007	CALIPER-SUB-ASSY,RR	1	1	1	
43082	43082-1292	PAD-ASSY-BRAKE	1	1	1	
49006	49006-1088	BOOT,CALIPER	1	1	1	
49006A	49006-1242	BOOT,CALIPER	1	1	1	
55020	55020-1488-RZ	GUARD,RR CALIPER,WHITE	1	1	1	
92043	92043-1507	PIN,HANGER	1	1	1	
92043A	92043-1508	PIN	1	1	1	
92144	92144-1819	SPRING,PAD	1	1	1	
92150	92150-1692	BOLT,PLUG	1	1	1	
92150A	92150-1811	BOLT,DISC PLATE,8X15	4	4	4	
92153	92153-0936	BOLT,FLANGED,6X14	4	4	4	

This catalog covers:

'06~'08 KX250 R6F/R7F/R8F Chassis

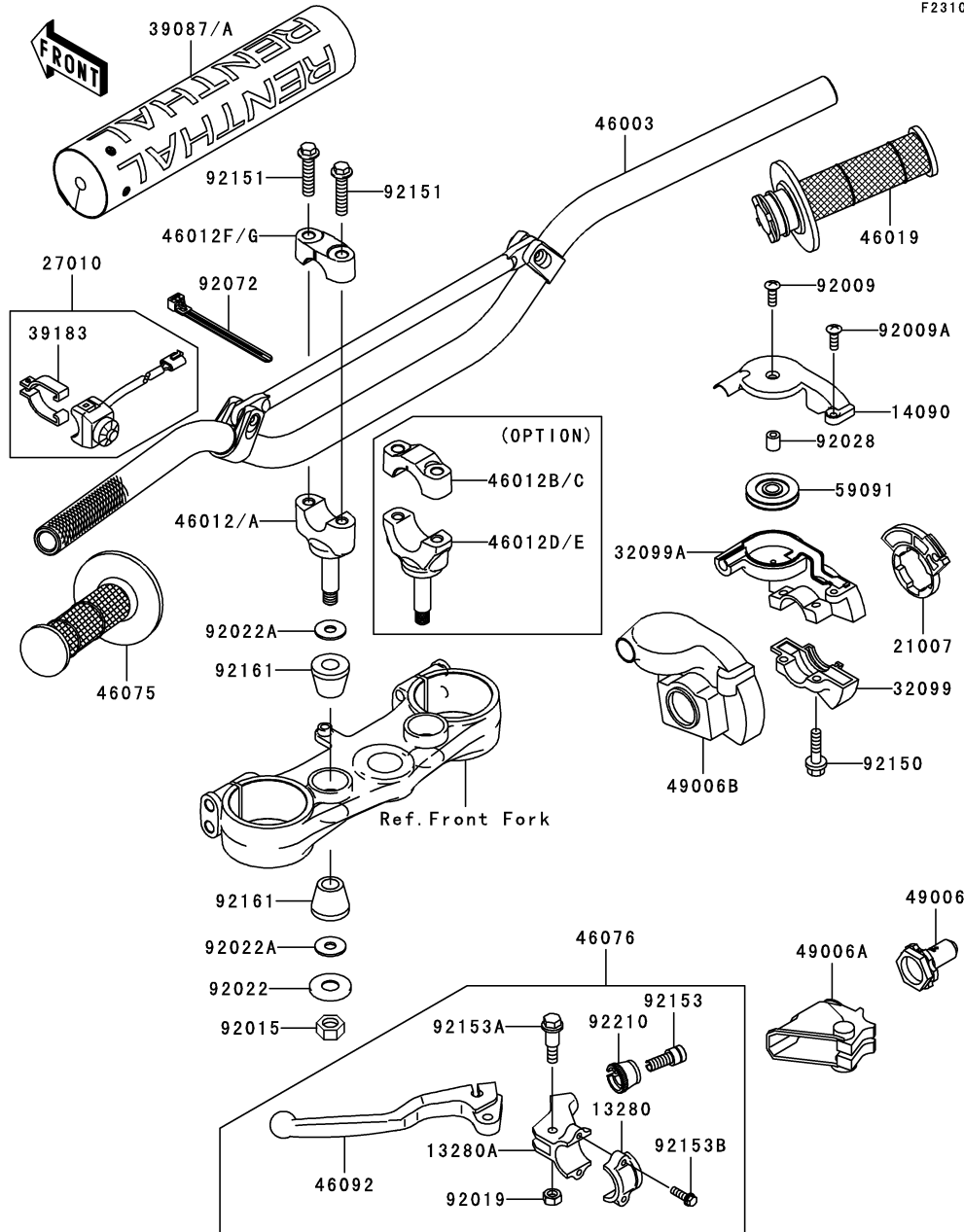
GRID NO.

E-8

This grid covers:

Handlebar(1/2)

F2310



Ref. No.	Part No.	Description	Spec Code	Quantity-KX250			
				'06	'07	'08	
				R6F	R7F	R8F	
13280	13280-0055	HOLDER	1	1	1		
13280A	13280-0118	HOLDER,CLUTCH LEVER	1	1	1		
14090	14090-1161	COVER,THROTTLE CASE,UPP	1	1	1		
21007	21007-1242	ROTOR,THROTTLE	1	1	1		
27010	27010-0035	SWITCH,ENGINE STOP	1	1	1		
32099	32099-1138	CASE,THROTTLE,LWR	1	1	1		
32099A	32099-1168	CASE,THROTTLE,UPP	1	1	1		
39087	39087-0003	PAD-HANDLE	1	1			
39087A	39087-0004	PAD-HANDLE			1		
39183	39183-1059	BAND-ASSY,ENGINE STOP SWITCH	1	1	1		
46003	46003-0077	HANDLE	1	1	1		
46012	46012-0013-D3	HOLDER-HANDLE,LWR,M.M.GOLD	2				
46012A	46012-0013-10Y	HOLDER-HANDLE,LWR,M.M.GOLD		2	2		
46012B	46012-0020-D3 (OPTION)	HOLDER-HANDLE,UPP,GOLD,FAT BAR	2				
46012C	46012-0020-10Y (OPTION)	HOLDER-HANDLE,UPP,FAT BAR,GOLD		2	2		
46012D	46012-0021-D3 (OPTION)	HOLDER-HANDLE,LWR,GOLD,FAT BAR	2				
46012E	46012-0021-10Y (OPTION)	HOLDER-HANDLE,LWR,FAT BAR,GOLD		2	2		
46012F	46012-0023-D3	HOLDER-HANDLE,UPP,M.M.GOLD	2				
46012G	46012-0023-10Y	HOLDER-HANDLE,UPP,M.M.GOLD		2	2		
46019	46019-1125	GRIP-ASSY,THROTTLE	1	1	1		
46075	46075-1213	GRIP,LH	1	1	1		
46076	46076-0019	LEVER-ASSY-GRIP,CLUTCH	1	1	1		
46092	46092-0007	LEVER-GRIP,CLUTCH	1	1	1		
49006	49006-0027	BOOT,CLUTCH CABLE	1	1	1		
49006A	49006-0030	BOOT,CLUTCH LEVER	1	1	1		
49006B	49006-1301	BOOT,THROTTLE	1	1	1		
59091	59091-1102	PULLEY,THROTTLE	1	1	1		
92009	92009-1674	SCREW	1	1	1		
92009A	92009-1675	SCREW	1	1	1		
92015	92015-1962	NUT,LOCK,10MM	2	2	2		
92019	92019-008	NUT,LOCK,6MM	1	1	1		
92022	92022-1088	WASHER,10.2X28X2	2	2	2		
92022A	92022-1737	WASHER	4	4	4		
92028	92028-1658	BUSHING,THROTTLE CASE	1	1	1		
92072	92072-0055	BAND,L=100	1	1	1		
92150	92150-1559	BOLT	2	2	2		

This catalog covers:

'06~'08 KX250 R6F/R7F/R8F Chassis

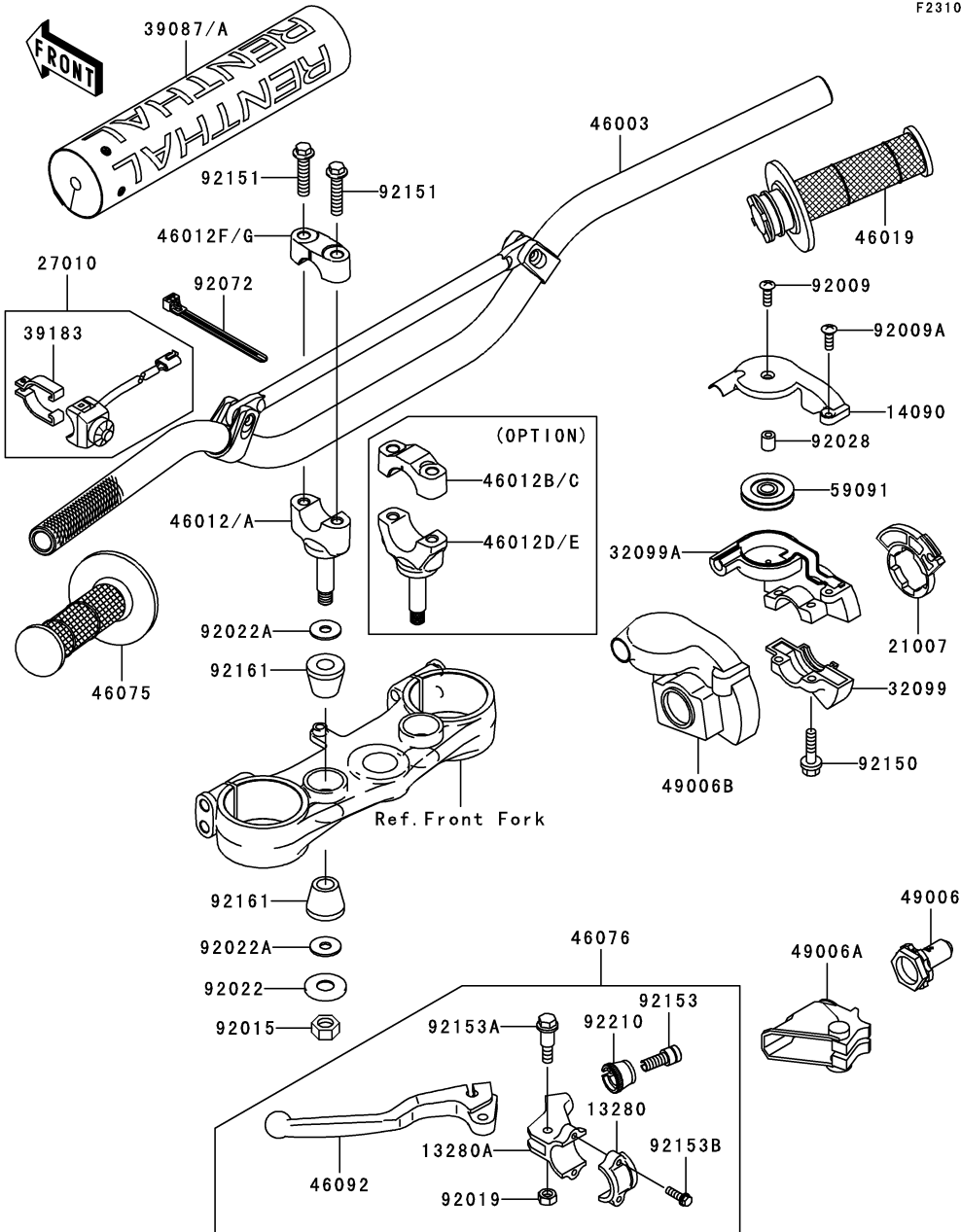
GRID NO.

E-9

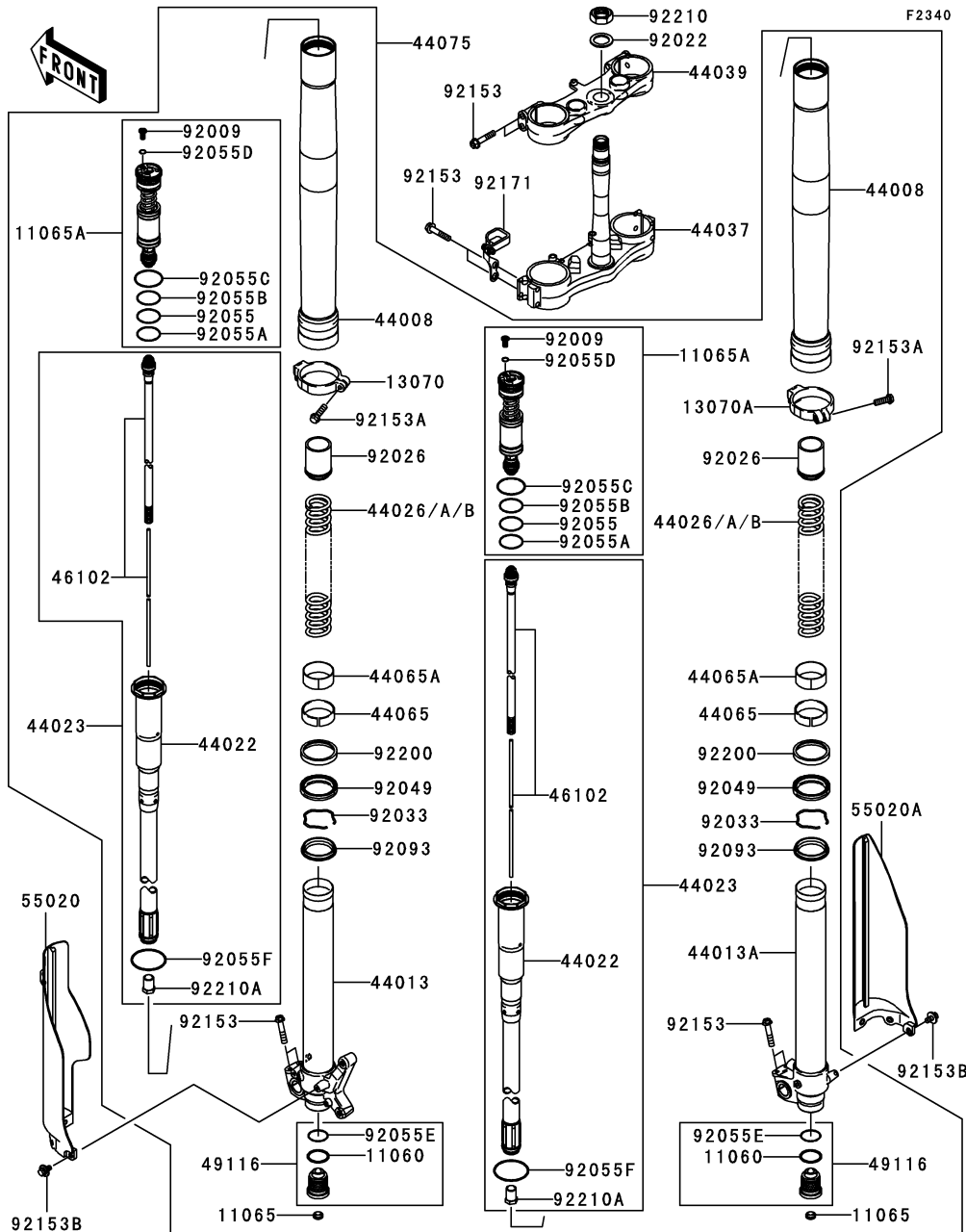
This grid covers:

Handlebar(2/2)

F2310



Ref. No.	Part No.	Description	Spec Code	Quantity-KX250		
				'06	'07	'08
				R6F	R7F	R8F
92151	92151-1537	BOLT,FLANGED,8X35	4	4	4	
92153	92153-0773	BOLT,BOLT ADJUSTING	1	1	1	
92153A	92153-0807	BOLT	1	1	1	
92153B	92153-0808	BOLT,5X16	2	2	2	
92161	92161-0113	DAMPER,HANDLE HOLDER	4	4	4	
92210	92210-0167	NUT,BOLT WIRE ADJUSTING	1	1	1	



Ref. No.	Part No.	Description	Spec Code	Quantity-KX250			
				'06	'07	'08	
				R6F	R7F	R8F	
11060	11060-1707	GASKET				2	
11065	11065-0097	CAP				2	
11065A	11065-0139	CAP,BASE VALVE				2	
13070	13070-0025	GUIDE,FORK,LH				1	
13070A	13070-0027	GUIDE,FORK,RH				1	
44008	44008-0010-828	PIPE-FORK OUTER,GOLD				2	
44013	44013-0047	PIPE-FORK INNER,LH				1	
44013A	44013-0048	PIPE-FORK INNER,RH				1	
44022	44022-0013	CYLINDER-FORK				2	
44023	44023-0034	CYLINDER-SET-FORK				2	
44026	44026-0052	SPRING-FRONT FORK,K=4.4N/MM				2	
44026A	44026-0054	SPRING-FRONT FORK,K=4.3N/MM (OPTION)				2	
44026B	44026-0056	SPRING-FRONT FORK,K=4.5N/MM (OPTION)				2	
44037	44037-0031-D3	HOLDER-FORK UNDER,M.M.GOLD				1	
44039	44039-0017-D3	HOLDER-FORK UPPER,M.M.GOLD				1	
44065	44065-0006	BUSHING-FRONT FORK				2	
44065A	44065-1140	BUSHING-FRONT FORK				2	
44075	44075-0103-828	DAMPER-SET-FORK,GOLD				1	
46102	46102-0072	ROD,PISTON				2	
49116	49116-0011	VALVE-ASSY				2	
55020	55020-0060-RZ	GUARD,FORK,LH,WHITE				1	
55020A	55020-0142-RZ	GUARD,FORK,RH,WHITE				1	
92009	92009-1884	SCREW				2	
92022	92022-250	WASHER,25X36X2.3				1	
92026	92026-0072	SPACER				2	
92033	92033-1329	RING-SNAP				2	
92049	92049-0070	SEAL-OIL				2	
92055	92055-0071	RING-O,30.7X37.7X3.5				2	
92055A	92055-0072	RING-O,29.7X36.7X3.5				2	
92055B	92055-0075	RING-O,30.7X37.7X3.5				2	
92055C	92055-0076	RING-O,37.2X42X2.4				2	
92055D	92055-1441	RING-O,2.8X6.6X1.9				2	
92055E	92055-1547	RING-O,FORK VALVE				2	
92055F	92055-1677	RING-O				2	
92093	92093-1566	SEAL,FORK OUTER TUBE				2	
92153	92153-0484	BOLT,FLANGED,8X40				12	

This catalog covers:

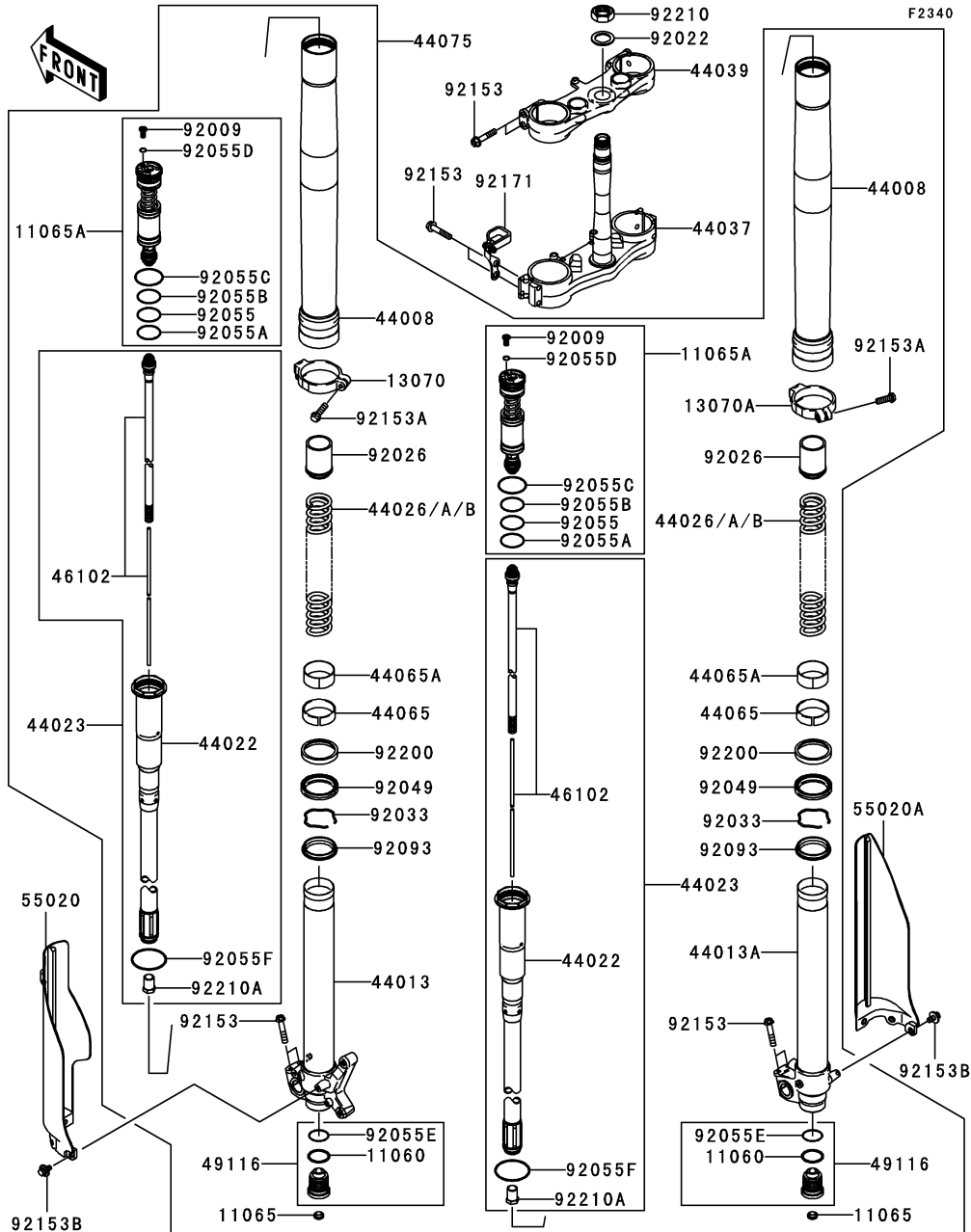
'06~'08 KX250 R6F/R7F/R8F Chassis

GRID NO.

E-11

This grid covers:

Front Fork(2/2)(R6F)



Ref. No.	Part No.	Description	Spec Code	Quantity-KX250			
				'06	'07	'08	
				R6F	R7F	R8F	
92153A	92153-0689	BOLT,FLANGED,6X20		2			
92153B	92153-0936	BOLT,FLANGED,6X14		6			
92171	92171-0414	CLAMP,HOSE		1			
92200	92200-0067	WASHER		2			
92210	92210-0066	NUT,24MM		1			
92210A	92210-0196	NUT		2			

This catalog covers:

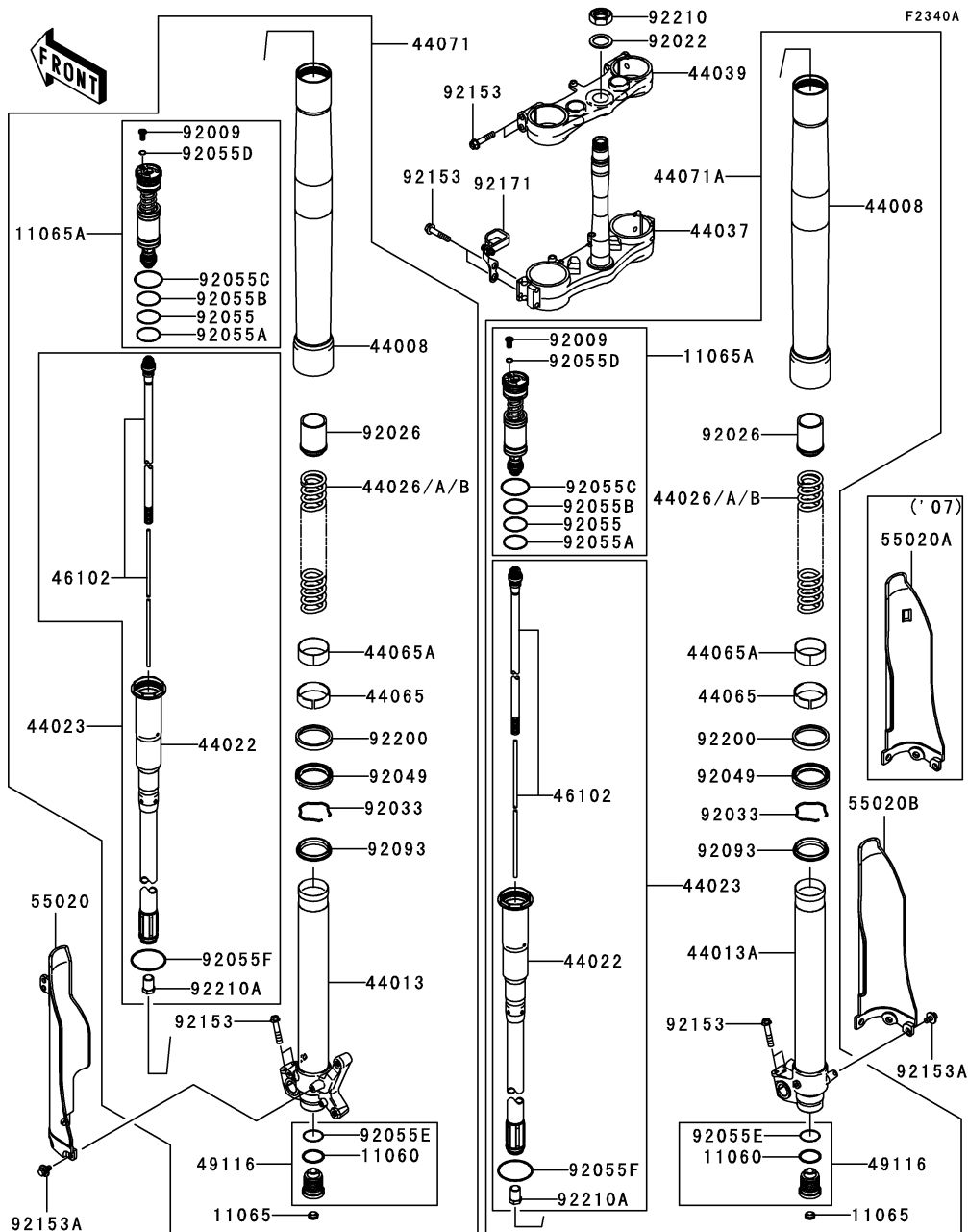
'06~'08 KX250 R6F/R7F/R8F Chassis

GRID NO.

E-12

This grid covers:

Front Fork(1/2)(R7F/R8F)



Ref. No.	Part No.	Description	Spec Code	Quantity-KX250			
				'06	'07	'08	
				R6F	R7F	R8F	
11060	11060-1707	GASKET			2	2	
11065	11065-0097	CAP			2	2	
11065A	11065-0139	CAP,BASE VALVE			2	2	
44008	44008-0022-828	PIPE-FORK OUTER,GOLD			2	2	
44013	44013-0047	PIPE-FORK INNER,LH			1	1	
44013A	44013-0048	PIPE-FORK INNER,RH			1	1	
44022	44022-0013	CYLINDER-FORK			2	2	
44023	44023-0034	CYLINDER-SET-FORK			2	2	
44026	44026-0052	SPRING-FRONT FORK,K=4.4N/MM			2	2	
44026A	44026-0054	SPRING-FRONT FORK,K=4.3N/MM (OPTION)			2	2	
44026B	44026-0056	SPRING-FRONT FORK,K=4.5N/MM (OPTION)			2	2	
44037	44037-0031-10Y	HOLDER-FORK UNDER,M.M.GOLD			1	1	
44039	44039-0017-10Y	HOLDER-FORK UPPER,M.M.GOLD			1	1	
44065	44065-0006	BUSHING-FRONT FORK			2	2	
44065A	44065-1140	BUSHING-FRONT FORK			2	2	
44071	44071-0363-828	DAMPER-ASSY,FORK,LH,GOLD			1	1	
44071A	44071-0364-828	DAMPER-ASSY,FORK,RH,GOLD			1	1	
46102	46102-0072	ROD,PISTON			2	2	
49116	49116-0011	VALVE-ASSY			2	2	
55020	55020-0172-RZ	GUARD,FORK,LH,WHITE			1	1	
55020A	55020-0173-RZ	GUARD,FORK,RH,WHITE			1		
55020B	55020-0334-RZ	GUARD,FORK,RH,WHITE				1	
92009	92009-1884	SCREW			2	2	
92022	92022-250	WASHER,25X36X2.3			1	1	
92026	92026-0072	SPACER			2	2	
92033	92033-1329	RING-SNAP			2	2	
92049	92049-0070	SEAL-OIL			2	2	
92055	92055-0071	RING-O,30.7X37.7X3.5			2	2	
92055A	92055-0072	RING-O,29.7X36.7X3.5			2	2	
92055B	92055-0075	RING-O,30.7X37.7X3.5			2	2	
92055C	92055-0076	RING-O,37.2X42X2.4			2	2	
92055D	92055-1441	RING-O,2.8X6.6X1.9			2	2	
92055E	92055-1547	RING-O,FORK VALVE			2	2	
92055F	92055-1677	RING-O			2	2	
92093	92093-1566	SEAL,FORK OUTER TUBE			2	2	
92153	92153-0484	BOLT,FLANGED,8X40			12	12	
92153A	92153-0936	BOLT,FLANGED,6X14			6	6	
92171	92171-0414	CLAMP,HOSE			1	1	

This catalog covers:

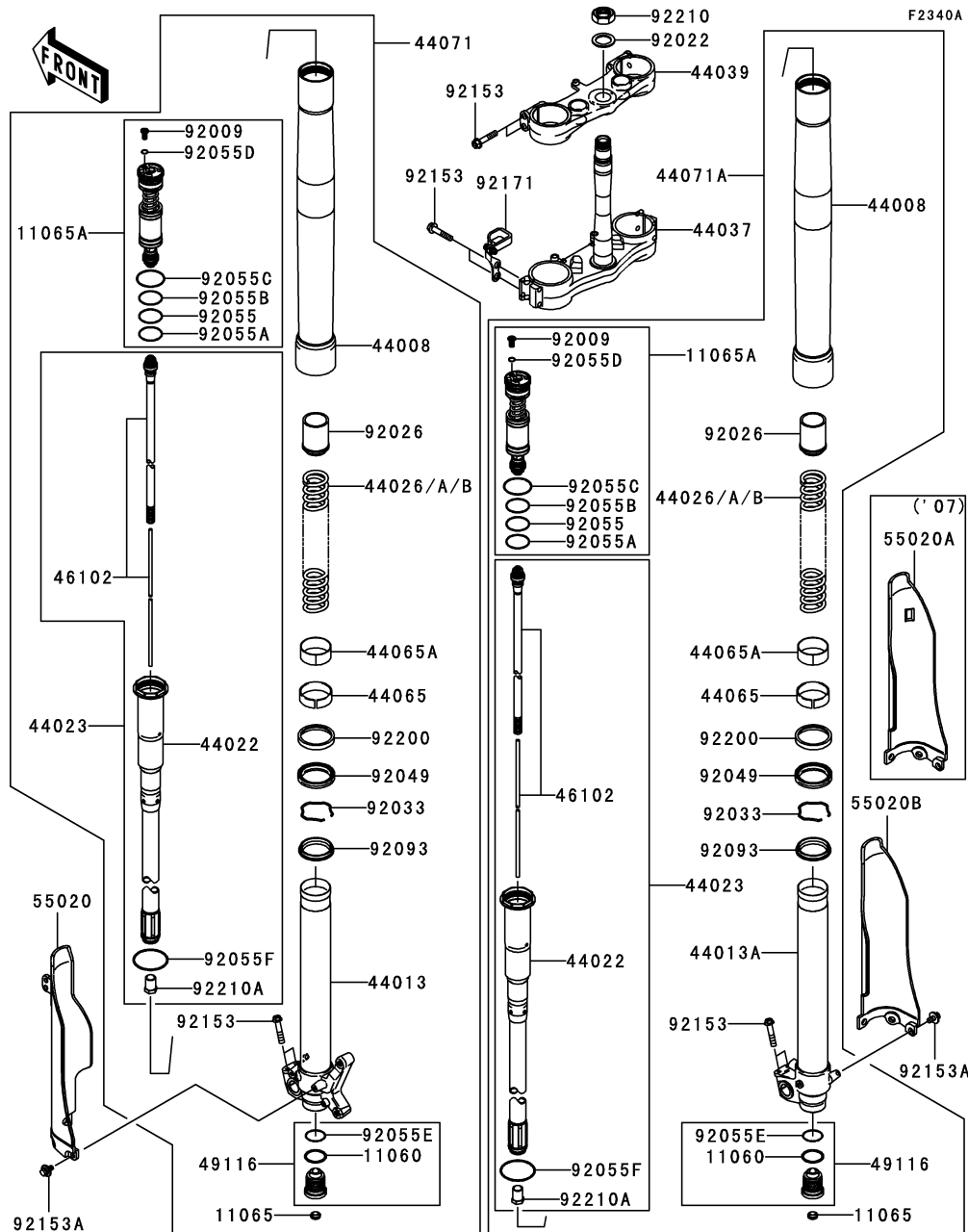
'06~'08 KX250 R6F/R7F/R8F Chassis

GRID NO.

E-13

This grid covers:

Front Fork(2/2)(R7F/R8F)



Ref. No.	Part No.	Description	Spec Code	Quantity-KX250			
				'06	'07	'08	
				R6F	R7F	R8F	
92200	92200-0067	WASHER		2	2		
92210	92210-0066	NUT,24MM		1	1		
92210A	92210-0196	NUJ		2	2		

This catalog covers:

'06~'08 KX250 R6F/R7F/R8F Chassis

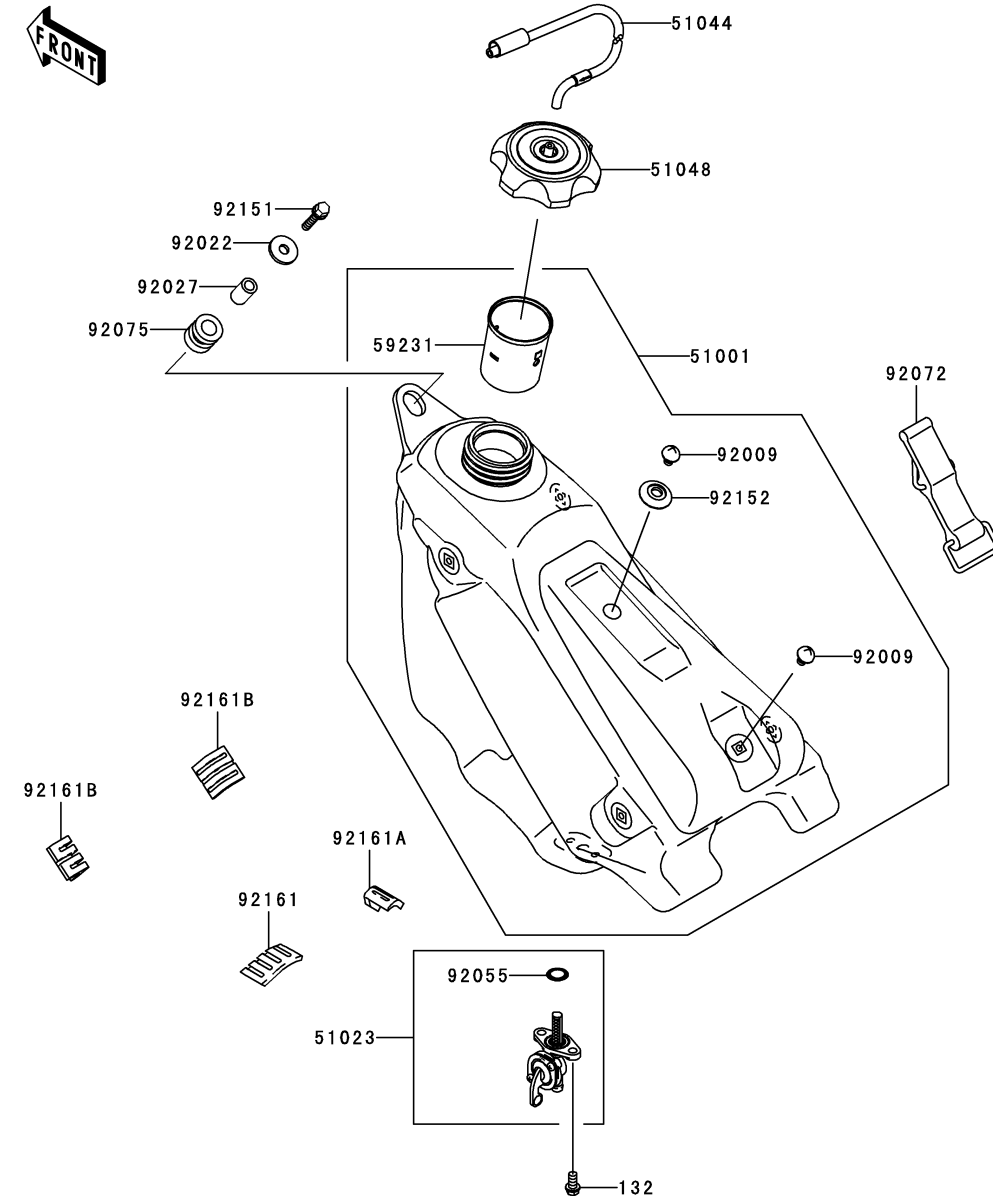
GRID NO.

E-14

This grid covers:

Fuel Tank

F2410



Ref. No.	Part No.	Description	Spec Code	Quantity-KX250		
				'06	'07	'08
				R6F	R7F	R8F
51001	51001-0080-6Z	TANK-COMP-FUEL,F.BLACK	1	1	1	
51023	51023-0020	TAP-ASSY,FUEL	1	1	1	
51044	51044-0023	TUBE-ASSY,TANK CAP	1	1	1	
51048	51048-0009	CAP-ASSY-TANK,FUEL	1	1	1	
59231	59231-0019	FILLER	1	1	1	
92009	92009-1971	SCREW,6MM	2	2	2	
92022	92022-1690	WASHER,6.5X24X2	1	1	1	
92027	92027-1966	COLLAR,6.8X10X14	1	1	1	
92055	92055-0078	RING-O,FUEL TAP PACKING	1	1	1	
92072	92072-1229	BAND,FUEL TANK	1	1	1	
92075	92075-1787	DAMPER	1	1	1	
92151	92151-1930	BOLT,FLANGED-SMALL,6X25	1	1	1	
92152	92152-1346	COLLAR	1	1	1	
92161	92161-1279	DAMPER,FUEL TANK,RR	1	1	1	
92161A	92161-1280	DAMPER,FUEL TANK,RR	1	1	1	
92161B	92161-1291	DAMPER,FUEL TANK,SIDE	2	2	2	
132	132G0612	BOLT-FLANGED-SMALL,6X12	2	2	2	

This catalog covers:

'06~'08 KX250 R6F/R7F/R8F Chassis

GRID NO.

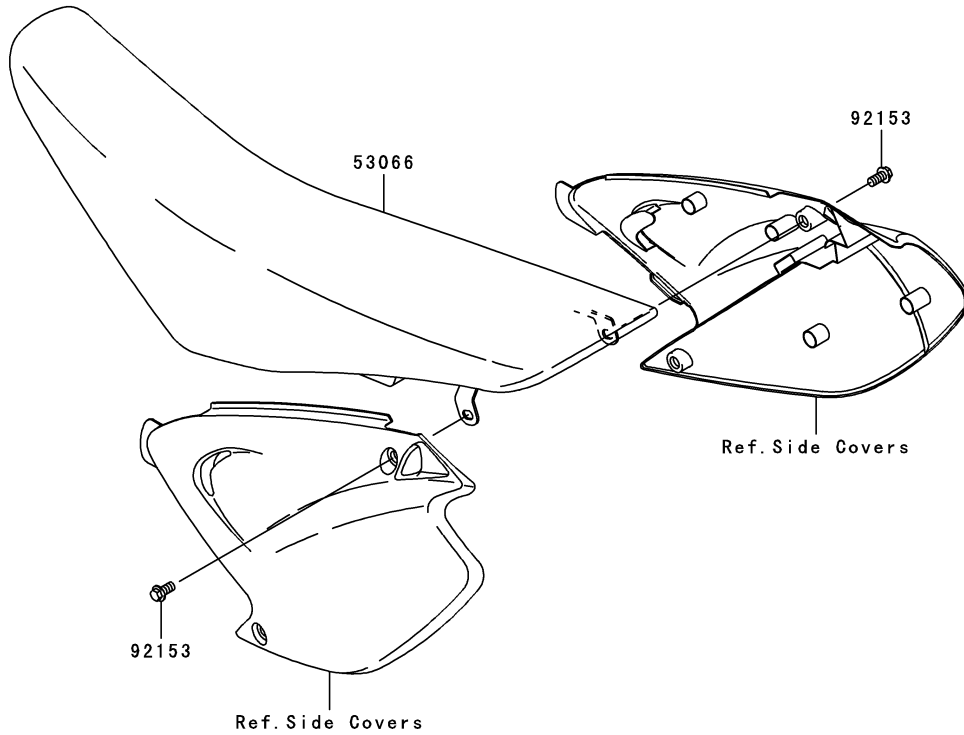
F-3

This grid covers:

Seat

F2510

Ref. No.	Part No.	Description	Spec Code	Quantity-KX250		
				'06	'07	'08
				R6F	R7F	R8F
53066	53066-0094-336	SEAT-ASSY, GREEN/BLACK	1	1	1	
92153	92153-1308	BOLT, FLANGED, 8X16	2	2	2	



This catalog covers:

'06~'08 KX250 R6F/R7F/R8F Chassis

GRID NO.

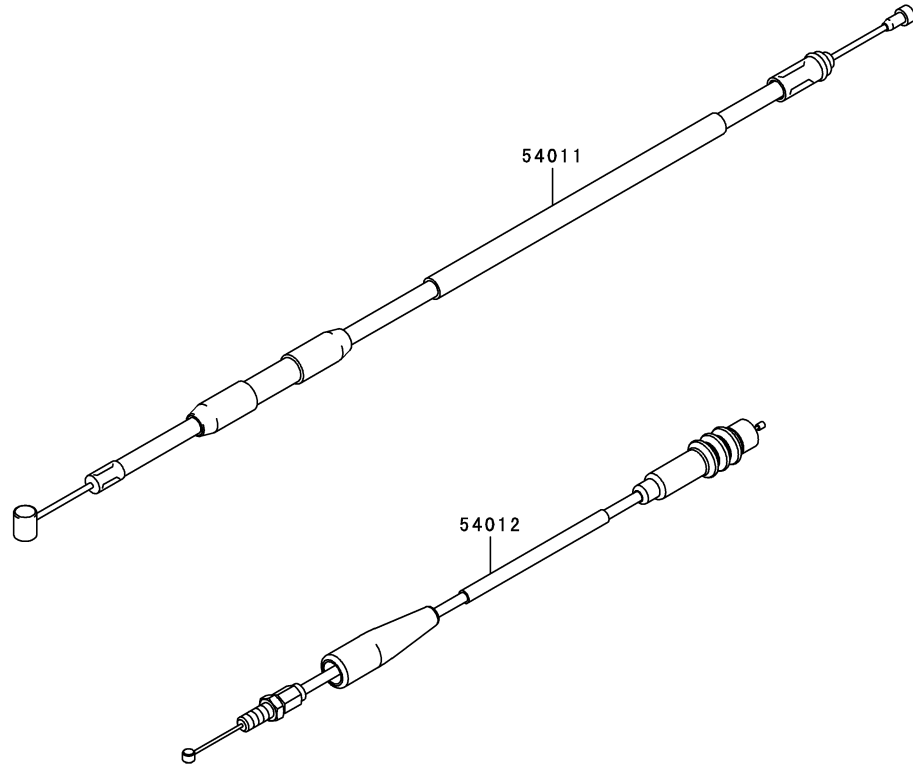
F-4

This grid covers:

Cables

F2540

Ref. No.	Part No.	Description	Spec Code	Quantity-KX250					
				'06	'07	'08			
				R6F	R7F	R8F			
54011	54011-0047	CABLE-CLUTCH		1	1	1			
54012	54012-0149	CABLE-THROTTLE		1	1	1			



This catalog covers:

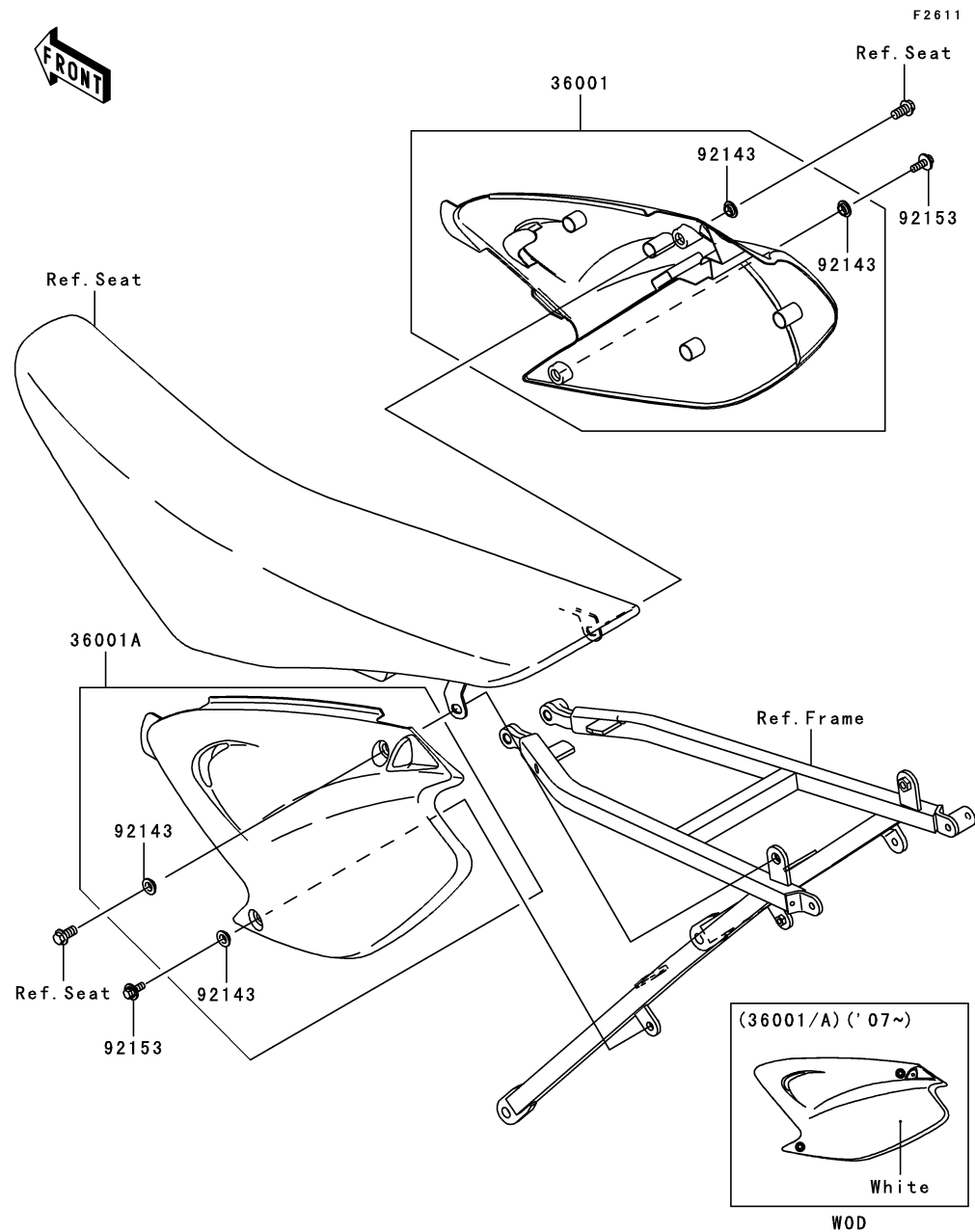
'06~'08 KX250 R6F/R7F/R8F Chassis

GRID NO.

F-5

This grid covers:

Side Covers



Ref. No.	Part No.	Description	Quantity-KX250			
			'06	'07	'08	
			R6F	R7F	R8F	
36001	36001-0056-266	COVER-SIDE,RH,S.WHITE	1	1	1	
36001A	36001-1671-266	COVER-SIDE,LH,S.WHITE	1	1	1	
92143	92143-1196	COLLAR	4	4	4	
92153	92153-0863	BOLT,6X16	2	2	2	

This catalog covers:

'06~'08 KX250 R6F/R7F/R8F Chassis

GRID NO.

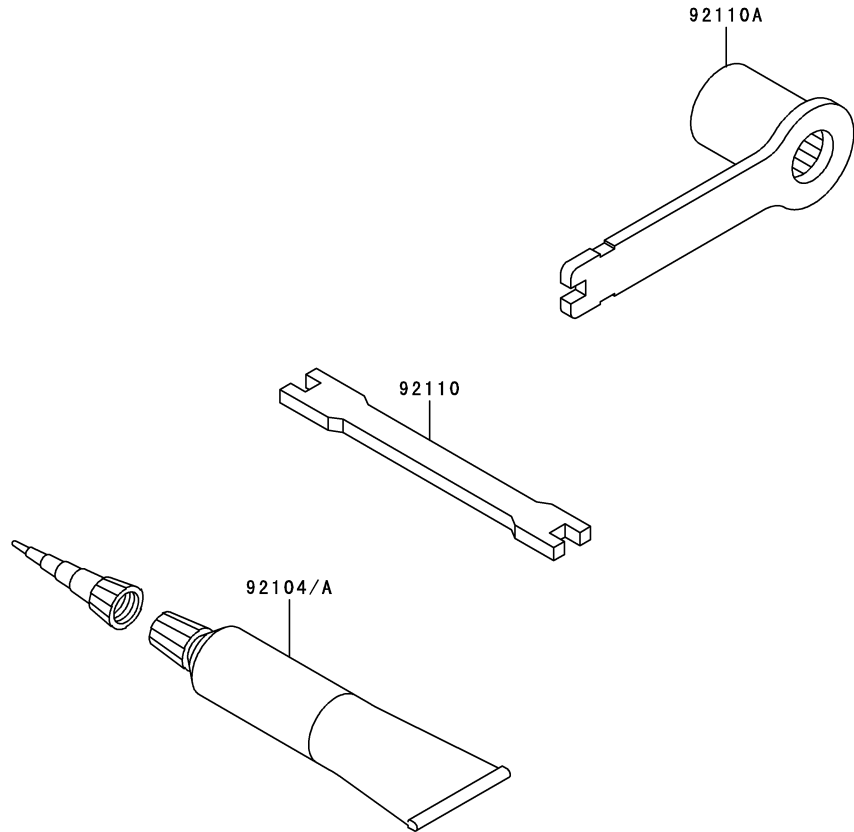
F-6

This grid covers:

Owner's Tools

F2810

Ref. No.	Part No.	Description	Spec Code	Quantity-KX250				
				'06	'07	'08		
				R6F	R7F	R8F		
92104	92104-0004	GASKET-LIQUID,TB1211F		1	1	1		
92104A	92104-1065	GASKET-LIQUID,TB1215		1	1	1		
92110	92110-0004	TOOL-WRENCH,NIPPLE,6X8		1	1	1		
92110A	92110-1200	TOOL-WRENCH,BOX,21MM&SPOKE		1	1	1		



This catalog covers:

'06~'08 KX250 R6F/R7F/R8F Chassis

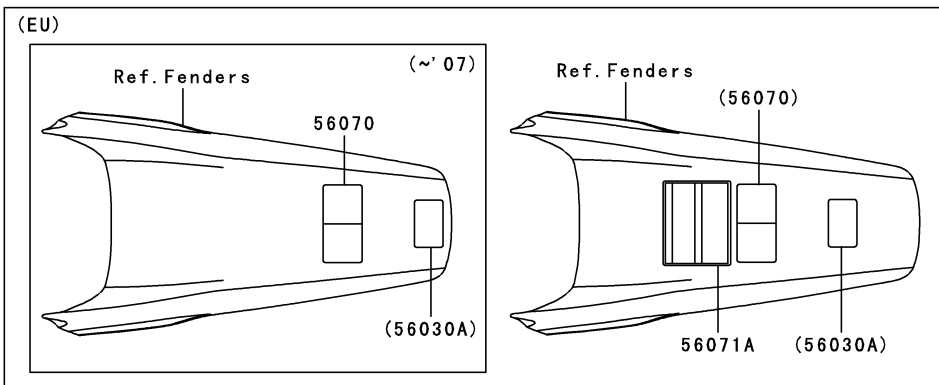
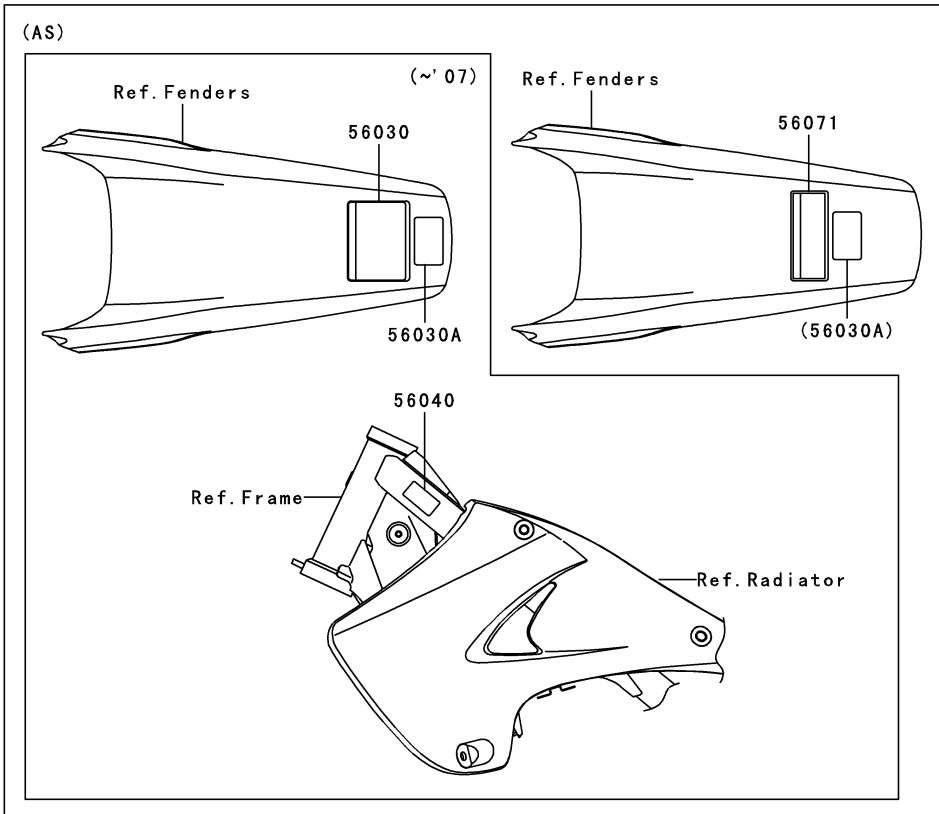
GRID NO.

F-7

This grid covers:

Labels

F2860



Ref. No.	Part No.	Description	Spec Code	Quantity-KX250			
				'06	'07	'08	
				R6F	R7F	R8F	
56030	56030-1228	LABEL,IMPORTANT NOTICE					
		L-----	AS	1	1		
56030A	56030-1230	LABEL,32:1					
56040	56040-1157	LABEL,UNLEADED PETROL ONLY					
		L-----	AS	1	1		
56070	56070-3799	LABEL-WARNING,OWNER'S MANUAL					
		L-----	EU	1	1	1	
56071	56071-0028	LABEL-WARNING,IMPORTANT NOTICE					
		L-----	AS				1
56071A	56071-0029	LABEL-WARNING,IMPORTANT NOTICE					
		L-----	EU				1

This catalog covers:

'06~'08 KX250 R6F/R7F/R8F Chassis

GRID NO.

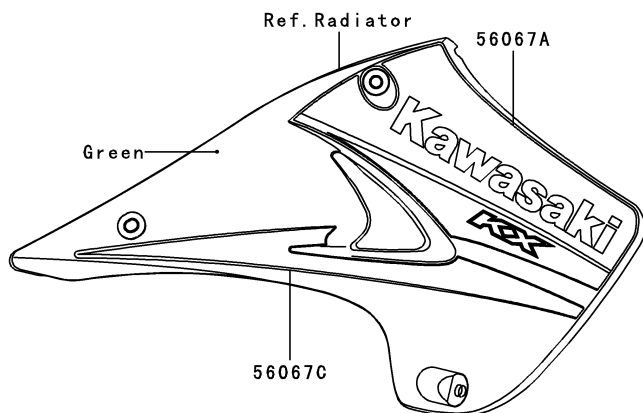
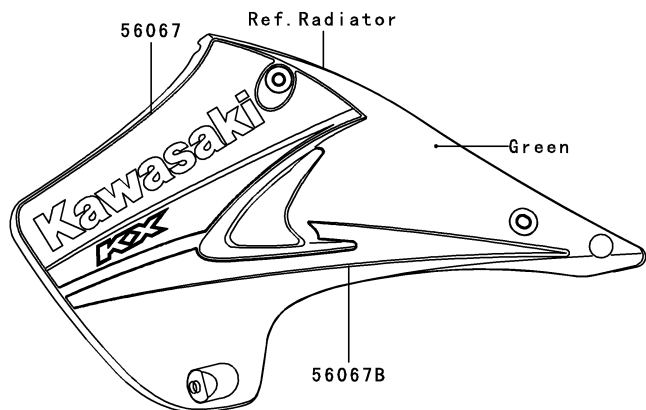
F-8

This grid covers:

Decals(Green)(R6F)

F2861

Ref. No.	Part No.	Description	Spec Code	Quantity-KX250			
				'06	'07	'08	
				R6F	R7F	R8F	
56067	56067-0128	PATTERN,SHROUD,UPP,LH					1
56067A	56067-0129	PATTERN,SHROUD,UPP,RH					1
56067B	56067-0130	PATTERN,SHROUD,LWR,LH					1
56067C	56067-0131	PATTERN,SHROUD,LWR,RH					1



This catalog covers:

'06~'08 KX250 R6F/R7F/R8F Chassis

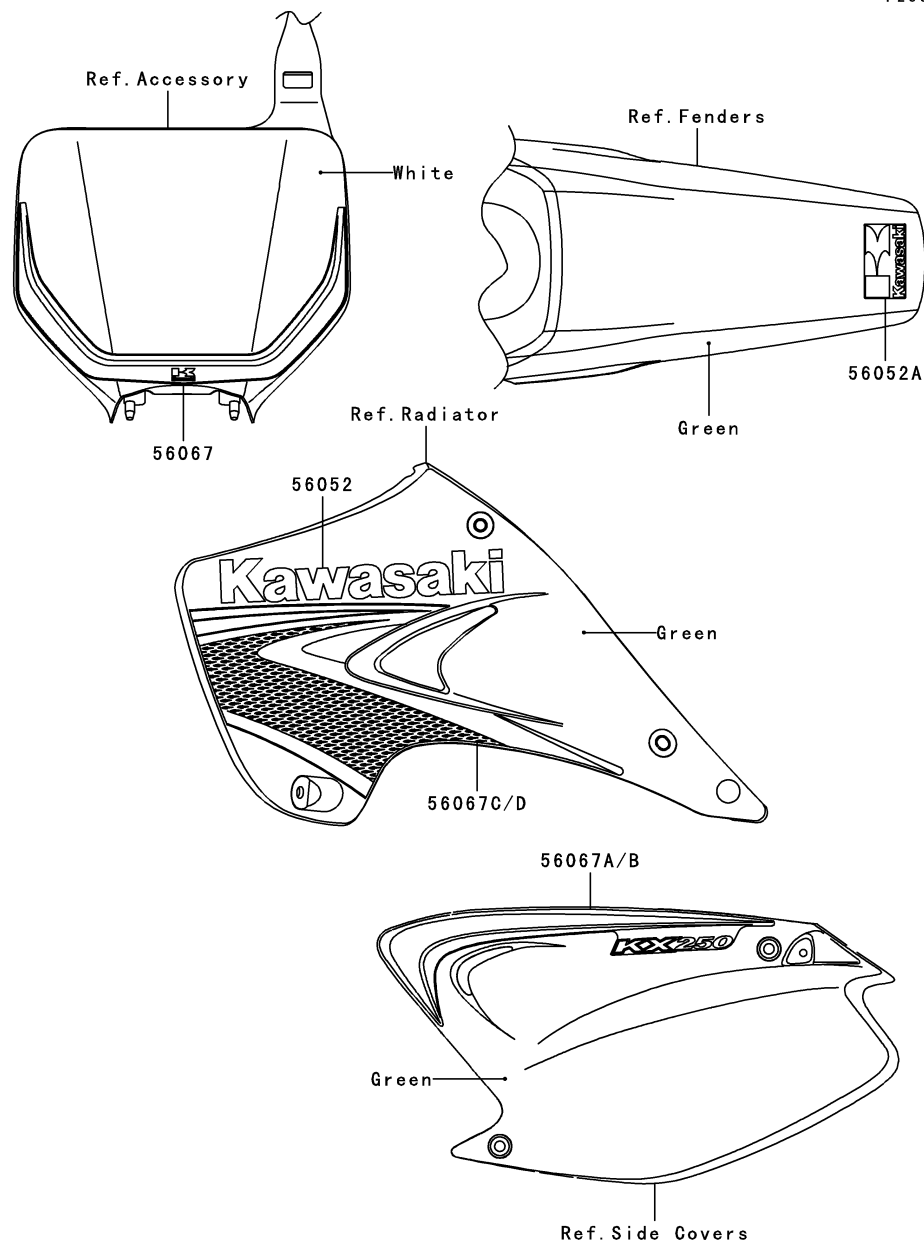
GRID NO.

F-9

This grid covers:

Decals(Green)(R7F/R8F)

F2861A



Ref. No.	Part No.	Description	Spec Code	Quantity-KX250			
				'06	'07	'08	
				R6F	R7F	R8F	
56052	56052-0368	MARK,SHROUD,KAWASAKI		2	2		
56052A	56052-0887	MARK,RR FENDER,KAWASAKI		1	1		
56067	56067-0970	PATTERN,NUMBER PLATE		1	1		
56067A	56067-0979	PATTERN,SIDE COVER,LH		1	1		
56067B	56067-0980	PATTERN,SIDE COVER,RH		1	1		
56067C	56067-0981	PATTERN,SHROUD,LH		1	1		
56067D	56067-0982	PATTERN,SHROUD,RH		1	1		

This catalog covers:

'06~'08 KX250 R6F/R7F/R8F Chassis

GRID NO.

F-10

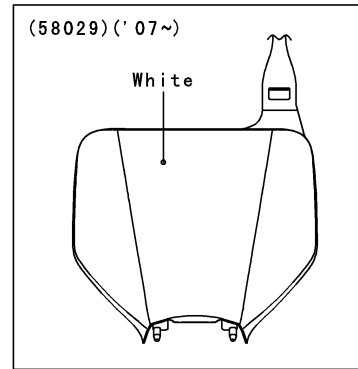
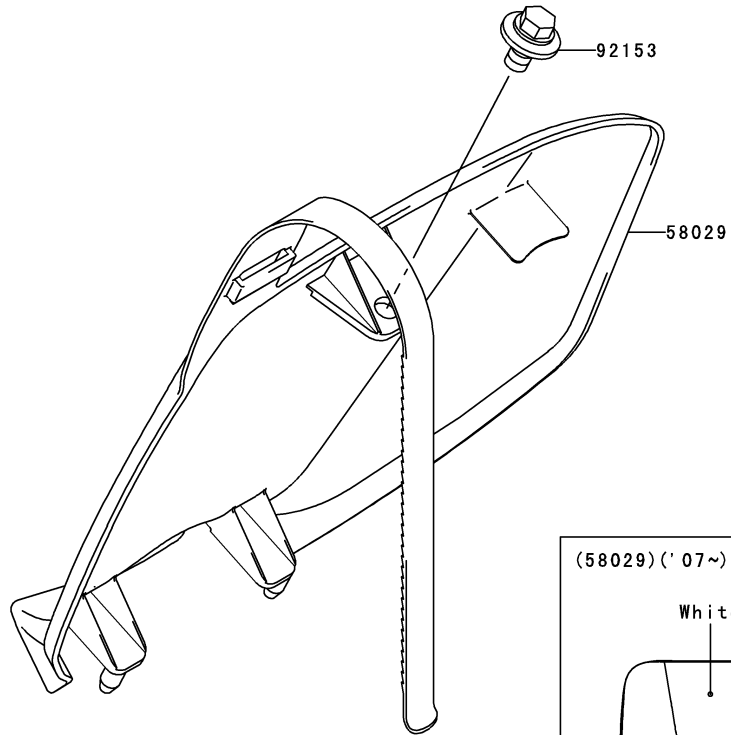
This grid covers:

Accessory



F2910

Ref. No.	Part No.	Description	Spec Code	Quantity-KX250		
				'06	'07	'08
				R6F	R7F	R8F
58029	58029-0003-266	PLATE-NUMBER,S.WHITE	1	1	1	
92153	92153-0503	BOLT,6X12	1	1	1	



This catalog covers:

'06~'08 KX250 R6F/R7F/R8F Chassis

GRID NO.

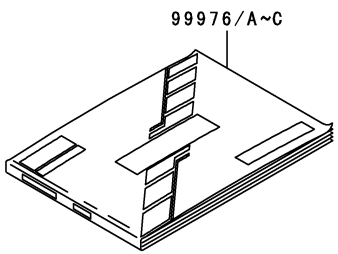
F-11

This grid covers:

Manual(EU)

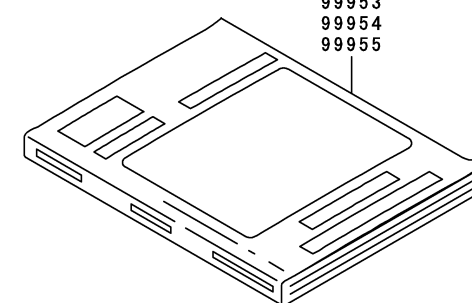
F2920

Owner's Manual
(Local Procurement)



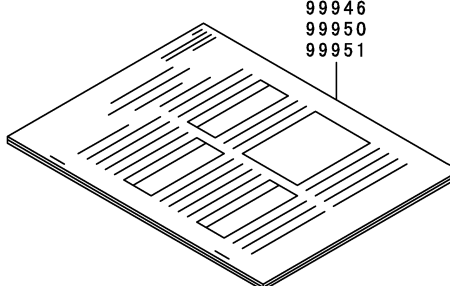
Ref. No.	Language
(99976/A)	English
	French
	German
(99976B)	Italian
	English
(99976C)	French
	German
	Italian
	Spanish
	Dutch

Service Manual



Ref. No.	Language
(99953)	German
(99954)	French
(99955)	Italian

A&P Manual



Ref. No.	Language
(99946)	German
(99950)	French
(99951)	Italian

Ref. No.	Part No.	Description	Spec Code	Quantity-KX250			
				'06	'07	'08	
				R6F	R7F	R8F	
99946	99946-1026-04	A&P MANUAL,GERMAN	L-----EU	1	1	1	
99950	99950-1030-04	A&P MANUAL,FRENCH	L-----EU	1	1	1	
99951	99951-1018-04	A&P MANUAL,ITALIAN	L-----EU	1	1	1	
99953	99953-1024-04	SERVICE MANUAL,GERMAN	L-----EU	1	1	1	
99954	99954-1032-04	SERVICE MANUAL,FRENCH	L-----EU	1	1	1	
99955	99955-1017-04	SERVICE MANUAL,ITALIAN	L-----EU	1	1	1	
99976	99976-1256	OWNER'S MANUAL,MULTI	L-----EU	1			
99976A	99976-1310	OWNER'S MANUAL,MULTI	L-----EU		1		
99976B	99976-1389	OWNER'S MANUAL,EN/FR/DE	L-----EU				1
99976C	99976-1390	OWNER'S MANUAL,IT/ES/NL	L-----EU				1

This catalog covers:

'06~'08 KX250 R6F/R7F/R8F

GRID NO.

This grid covers:

L-14

Numerical Parts Index

Part No.	Grid No.	Part No.	Grid No.	Part No.	Grid No.	Part No.	Grid No.	Part No.	Grid No.	Part No.	Grid No.
11001-0107	B-3	13070-0048	E-6	13260-1930	B-10	16159-1054	C-4	32190-0092	D-4	41029-1204	D-10
11001-0108	B-3	13070-1206	B-14	13260-1964	B-10	16159-1055	C-4	33001-0065-458	D-5	41029-1330	D-11
11001-0108	B-3	13070-1362	E-3	13260-1965	B-10	16159-1056	C-4	33032-1189	D-5	41030-1172	D-11
11001-0109	B-3	13070-1378	B-8	13260-1966	B-10	16159-1057	C-4	33040-0013	D-5	41032-0002	D-11
11001-0109	B-3	13078-1063	B-8	13262-0141	B-10	16170-0001	C-4	33040-0020	D-5	41032-1077	D-11
11005-0054	B-3	13078-1070	B-12	13262-0186	B-10	16187-0157	C-4	33040-1189	D-5	41032-1085	D-11
11011-0048	B-5	13087-1168	B-9	13262-0219	B-10	16187-0158	C-4	34024-1396-458	D-9	41032-1086	D-11
11012-1552	E-3	13088-1089	B-9	13271-0518	B-3	16187-0159	C-4	34028-0014	D-7	41032-1086	D-11
11012-1581	D-12	13089-1066	B-9	13271-0549	B-13	16187-0160	C-4	34028-0015	D-7	41034-0004	D-13
11013-1264	B-5	13091-1664	B-5	13271-1833	D-5	16187-0162	C-4	35004-0050-290	D-8	41034-0034	D-12
11053-1629	D-4	13091-1708	B-5	13271-1834	D-5	16187-0163	C-4	35004-0078-290	D-8	41034-0037-10Y	D-12
11060-1254	C-4	13095-0048	B-9	13271-1968	B-12	16187-0164	C-4	35019-1402-6Z	D-8	41034-0038-10Y	D-13
11060-1707	E-10	13097-0039	B-7	13280-0055	E-8	16187-0165	C-4	35023-1587-290	D-8	41068-0004	D-12
11060-1707	E-12	130G0512	B-4	13280-0118	E-8	16187-0167	C-5	35063-1226	C-9	41068-1466	D-13
11061-0091	B-3	130L0508	B-4	13280-1284	B-9	16187-0168	C-5	35063-1227	C-9	41080-0076	E-7
11061-0092	B-3	130P0514	C-3	132G0612	E-14	172G0612	B-13	36001-0056-266	F-5	41080-0082	E-5
11061-0093	B-3	13102-0014	B-9	132G0614	B-12	18020-0027	B-6	36001-1671-266	F-5	41080-0090	E-5
11061-0095	B-14	13107-0062	B-3	132G0616	B-13	18020-1294	B-6	39007-0016	D-6	41080-0094	E-7
11061-0097	B-14	13116-1172	B-9	132L0610	D-4	18046-0052	B-6	39061-0024	C-9	41090-0012	D-11
11061-0098	B-14	13127-1303	B-10	132L0616	E-4	18046-1599	B-6	39061-0025	C-9	41090-0014	D-11
11061-0142	B-6	13128-0011	B-10	132L0620	C-9	18100-0019	B-6	39062-0043	C-9	41090-0022	D-11
11061-0144	B-14	13140-1295	B-11	14001-0065	B-13	18100-0023	B-6	39062-0060	C-9	41090-0036-10Y	D-11
11065-0097	E-10	13140-1296	B-11	14026-0010	B-14	18120-0014	B-6	39062-0074	C-9	41090-0038-10Y	D-11
11065-0097	E-12	13140-1312	B-11	14031-0022	B-14	21003-0050	C-7	39087-0003	E-8	410B0800	D-13
11065-0139	E-10	13141-0008	B-11	14032-0051	B-14	21007-1242	E-8	39087-0004	E-8	410B1000	D-4
11065-0139	E-12	13144-1294	B-10	14032-0063	B-14	21007-1424	C-7	39129-0002	B-14	42036-0014	D-6
11065-1253	D-13	13144-1295	B-10	14037-0020-RZ	C-9	21007-1425	C-7	39183-1059	E-8	42036-0015	D-6
12005-0019	B-3	13144-1296	B-10	14073-0075	B-5	21007-1426	C-7	41009-0064	D-10	42036-0030	D-6
12021-0014	B-3	13145-1095	B-11	14079-1097	E-5	21007-1427	C-7	41009-0077	D-10	42036-1248	D-6
12022-0004	B-3	13156-0049	B-12	14079-1139	E-7	21007-1428	C-7	41009-1209	D-10	42036-1326	D-5
12053-0020	D-5	13159-1063	C-4	14090-1161	E-8	21007-1429	C-7	41009-1210	D-10	42036-1351	D-6
12053-0033	B-14	13161-0029	B-12	14091-0215	B-3	21119-0027	C-7	41022-0022	D-10	42041-0001	D-13
12053-0035	B-14	13165-1162	B-12	13165-1162	B-3	21121-0015	C-8	41022-0023	D-10	42041-0002	D-13
12053-1468	D-5	13165-1163	B-12	14091-0437	B-3	21130-0005	C-8	41022-1107	D-10	42041-1408	D-13
13001-0058	B-7	13168-0058	B-3	14091-1523-RZ	E-7	21176-1114	C-5	41022-1118	D-10	42041-1428	D-13
13002-1098	B-7	13183-1182	B-13	15003-0045	C-4	21188-0002	C-5	41022-1140	D-10	42041-1429	D-13
13008-0013	B-7	13183-1530	B-5	16005-1083	C-4	220B0306	C-3	41022-1150	D-10	42041-1449	D-13
13031-0050	B-7	13187-1090	B-9	16014-1058	C-4	220B0510	E-6	41023-0009	D-10	42041-1450	D-13
13032-1279	B-7	13206-1062	B-13	16016-1085	C-4	220D0414	C-6	41023-0010	D-10	42041-1451	D-13
13033-1010	B-7	13234-0016	B-14	16021-1198	C-4	235B0616	C-7	41023-1009	D-10	43010-1087	E-6
13034-0005	B-7	13236-0054	B-3	16025-1215	C-4	26031-0278	C-7	41023-1069	D-10	43015-0004	E-6
13035-1089	B-7	13236-0057	D-14	16025-1216	C-4	27010-0035	E-8	41023-1081	D-10	43015-0041	E-4
13037-0032	B-7	13236-0070	E-4	16025-1217	C-4	290P0808	B-8	41023-1084	D-10	43015-1674	E-4
13037-0062	B-7	13236-0081	B-3	16030-1057	C-4	311G0600	B-12	41024-009	D-10	43020-1094	E-6
13061-0158	B-8	13236-1266	B-14	16031-1100	C-4	32085-1361	E-5	41024-010	D-10	43020-1123	E-4
13064-0036	B-8	13236-1346	E-4	16044-007	C-4	32085-1386	E-7	41024-011	D-10	43022-1010	E-4
13066-1107	B-8	13236-1391	B-12	16049-1051	C-4	32099-1138	E-8	41025-0014	D-10	43026-1075	E-4
13070-0025	E-10	13256-0002	E-3	16065-0023	C-4	32099-1168	E-8	41025-0015	D-10	43026-1086	E-6
13070-0027	E-10	13260-1928	B-10	16142-0013	B-14	32160-0104-458	D-3	41025-0016	D-10	43028-1067	E-4
13070-0029	E-3	13260-1929	B-10	16159-1053	C-4	32160-0164	D-3	41029-0003	D-10	43028-1092	E-6

This catalog covers:

'06~'08 KX250 R6F/R7F/R8F

GRID NO.

This grid covers:

L-15

Numerical Parts Index

Part No.	Grid No.	Part No.	Grid No.	Part No.	Grid No.	Part No.	Grid No.	Part No.	Grid No.	Part No.	Grid No.
43034-1110	E-4	46012-0013-D3	E-8	55020-0060-RZ	E-10	92009-1563	B-13	92026-1501	B-14	92045-1240	B-13
43048-1068	E-7	46012-0020-10Y	E-8	55020-0142-RZ	E-10	92009-1674	E-8	92026-1590	B-14	92045-1284	D-11
43048-1095	E-5	46012-0020-D3	E-8	55020-0172-RZ	E-12	92009-1675	E-8	92026-1607	B-7	92045-1284	D-12
43049-1060	E-5	46012-0021-10Y	E-8	55020-0173-RZ	E-12	92009-1828	D-5	92027-1839	B-14	92045-1300	B-13
43049-1060	E-7	46012-0021-D3	E-8	55020-0334-RZ	E-12	92009-1884	E-10	92027-194	C-9	92045-1305	B-14
43049-1061	E-5	46012-0023-10Y	E-8	55020-1488-RZ	E-7	92009-1884	E-12	92027-1966	E-14	92045-1345	B-13
43049-1061	E-7	46012-0023-D3	E-8	550D2015	E-6	92009-1889	C-5	92028-131	B-13	92045-1445	B-13
43056-1055	E-5	46019-1125	E-8	550D3035	D-13	92009-1971	E-14	92028-1658	E-8	92045-1446	D-13
43056-1055	E-7	46075-1213	E-8	550S3020	D-7	92009-1981	C-5	92033-0025	B-10	92046-037	B-13
43057-1001	E-5	46076-0019	E-8	56030-1228	F-7	92009-1993	D-8	92033-026	B-10	92046-1010	B-13
43057-1001	E-7	46092-0007	E-8	56030-1230	F-7	92015-077	B-3	92033-029	B-10	92046-1148	B-13
43078-1125	E-3	46102-0060	D-6	56040-1157	F-7	92015-1014	D-5	92033-029	B-8	92046-1151	D-6
43080-0006	E-5	46102-0072	E-10	56052-0368	F-9	92015-1078	B-6	92033-1041	D-13	92046-1170	B-10
43080-0007	E-7	46102-0072	E-12	56052-0887	F-9	92015-1078	D-5	92033-1089	B-10	92046-1174	D-5
43082-0026	E-5	46102-0073	E-3	56067-0128	F-8	92015-1151	B-3	92033-1209	E-3	92046-1190	B-9
43082-1292	E-7	480J1600	B-8	56067-0129	F-8	92015-1156	C-7	92033-1329	E-10	92046-1240	D-5
43089-0015-829	E-3	480J1800	B-8	56067-0130	F-8	92015-1259	B-5	92033-1329	E-12	92046-1252	B-14
43095-0047	E-6	49006-0027	E-8	56067-0131	F-8	92015-1339	E-4	92033-1336	B-7	92046-1301	D-6
43095-0060	E-4	49006-0030	E-8	56067-0970	F-9	92015-1401	D-6	92036-007	B-9	92046-1301	E-3
43095-0286	E-4	49006-0040	B-14	56067-0979	F-9	92015-1432	D-4	92036-018	C-5	92046-1304	B-9
44008-0010-828	E-10	49006-1088	E-5	56067-0980	F-9	92015-1487	C-9	92037-1142	C-5	92049-0027	D-6
44008-0022-828	E-12	49006-1088	E-7	56067-0981	F-9	92015-1528	E-4	92037-1173	B-3	92049-0030	B-13
44013-0047	E-10	49006-1242	E-5	56067-0982	F-9	92015-1703	E-3	92037-1173	C-8	92049-0031	B-13
44013-0047	E-12	49006-1242	E-7	56070-3799	F-7	92015-1704	E-3	92037-1290	D-4	92049-0032	B-13
44013-0048	E-10	49006-1301	E-8	56071-0028	F-7	92015-1725	B-9	92037-1396	C-5	92049-0033	B-14
44013-0048	E-12	49006-1344	E-4	56071-0029	F-7	92015-1791	D-3	92037-1401	C-5	92049-0034	B-14
44022-0013	E-10	49016-1044	E-4	58029-0003-266	F-10	92015-1861	D-3	92037-147	C-5	92049-0057	E-3
44022-0013	E-12	49047-1107	B-11	59051-0050	B-7	92015-1904	B-6	92037-1589	C-9	92049-0069	D-6
44023-0034	E-10	49047-1108	B-11	59051-1271	B-8	92015-1962	E-8	92037-1610	B-13	92049-0070	E-10
44023-0034	E-12	49085-1070	C-9	59051-1339	B-8	92019-008	E-8	92038-0001	B-7	92049-0070	E-12
44026-0052	E-10	49085-1073	C-9	59051-1399	B-14	92022-1028	E-6	92038-001	C-7	92049-1207	B-14
44026-0052	E-12	49089-1150-290	C-9	59091-1102	E-8	92022-1088	E-8	92042-007	B-13	92049-1238	B-3
44026-0054	E-10	49089-1151-290	C-9	59231-0019	E-14	92022-1380	B-14	92042-007	B-14	92049-1262	B-13
44026-0054	E-12	49091-0001	E-4	59256-0005	B-14	92022-1601	E-6	92043-0004	E-6	92049-1387	B-8
44026-0056	E-10	49091-0001	E-6	600A0800	B-8	92022-1690	E-14	92043-0033	B-3	92049-1403	D-11
44026-0056	E-12	49111-0001	B-14	600A1200	C-3	92022-1737	E-8	92043-0068	B-3	92049-1403	D-12
44037-0031-10Y	E-12	49114-0001	B-14	610A0408	B-11	92022-1814	E-4	92043-0074	D-7	92049-1594	B-14
44037-0031-D3	E-10	49114-1074	B-14	610A0408	B-4	92022-1827	B-12	92043-1256	B-14	92049-1614	D-13
44039-0017-10Y	E-12	49116-0007	B-3	610A0408	C-3	92022-1829	D-7	92043-1266	B-13	92051-005	B-13
44039-0017-D3	E-10	49116-0011	E-10	670B2012	D-14	92022-1885	B-8	92043-1293	B-14	92055-0049	B-3
44065-0006	E-10	49116-0011	E-12	92001-1829	B-13	92022-1942	B-9	92043-1319	B-14	92055-0050	B-3
44065-0006	E-12	51001-0080-6Z	E-14	92002-1659	B-13	92022-1944	B-8	92043-1507	E-7	92055-0051	B-3
44065-1140	E-10	51023-0020	E-14	92002-1955	E-3	92022-237	B-6	92043-1508	E-7	92055-0052	B-6
44065-1140	E-12	51044-0023	E-14	92004-0022	B-13	92022-250	E-10	92043-1676	B-12	92055-0058	B-3
44071-0363-828	E-12	51048-0009	E-14	92004-0023	B-13	92022-250	E-12	92045-0013	B-13	92055-0059	B-13
44071-0364-828	E-12	52005-0019	B-14	92004-1110	B-3	92022-271	B-8	92045-0060	D-4	92055-0071	E-10
44075-0103-828	E-10	52014-0003	B-14	92005-0037	B-13	92022-304	B-14	92045-1009	D-4	92055-0071	E-12
45014-5014	E-3	53066-0094-336	F-3	92005-1127	B-3	92026-0072	E-10	92045-1058	B-13	92055-0072	E-10
46003-0077	E-8	54011-0047	F-4	92009-1014	B-3	92026-0072	E-12	92045-1123	B-13	92055-0072	E-12
46012-0013-10Y	E-8	54012-0149	F-4	92009-1458	E-4	92026-1217	B-12	92045-1123	B-14	92055-0075	E-10

This catalog covers:

'06~'08 KX250 R6F/R7F/R8F

GRID NO.

This grid covers:

L-16

Numerical Parts Index

Part No.	Grid No.	Part No.	Grid No.	Part No.	Grid No.	Part No.	Grid No.	Part No.	Grid No.	Part No.	Grid No.
92055-0075	E-12	92075-1787	E-14	92150-1559	E-8	92153-0407	D-6	92161-1290	B-6	92210-0196	E-11
92055-0076	E-10	92075-209	C-9	92150-1565	B-5	92153-0484	E-10	92161-1291	E-14	92210-0196	E-13
92055-0076	E-12	92081-020	B-8	92150-1691	E-5	92153-0484	E-12	92170-1283	C-9	92210-0216	B-7
92055-0078	E-14	92081-122	B-8	92150-1692	E-7	92153-0502	D-8	92170-1514	B-4	92210-0285	D-5
92055-035	B-10	92081-1555	C-5	92150-1760	D-3	92153-0503	B-6	92170-1514	C-3	92210-1080	D-4
92055-1002	C-5	92093-1328	B-6	92150-1811	E-7	92153-0503	C-9	92170-1514	C-6	92210-1080	D-6
92055-1146	C-3	92093-1434	D-5	92150-1858	B-8	92153-0503	D-4	92170-1555	B-13	92210-1184	D-6
92055-1167	C-5	92093-1435	D-5	92150-1888	B-4	92153-0503	F-10	92170-1582	C-6	92210-1352	D-8
92055-1308	C-3	92093-1436	D-6	92150-1888	C-3	92153-0517	E-5	92170-1925	D-4	92210-1411	D-13
92055-1343	C-3	92093-1566	E-10	92150-1978	D-13	92153-0530	B-11	92171-0081	D-4	99946-1026-04	F-11
92055-1346	E-3	92093-1566	E-12	92151-1133	C-3	92153-0604	C-3	92171-0149	C-6	99950-1030-04	F-11
92055-1383	E-3	92104-0004	F-6	92151-1133	D-5	92153-0613	D-4	92171-0235	E-4	99951-1018-04	F-11
92055-1441	E-10	92104-1065	F-6	92151-1134	B-6	92153-0614	D-4	92171-0246	C-6	99953-1024-04	F-11
92055-1441	E-12	92110-0004	F-6	92151-1199	C-3	92153-0620	D-5	92171-0291	E-4	99954-1032-04	F-11
92055-1547	E-10	92110-1200	F-6	92151-1234	B-6	92153-0626	C-7	92171-0414	E-11	99955-1017-04	F-11
92055-1547	E-12	92116-1069	D-3	92151-1234	D-5	92153-0627	E-4	92171-0414	E-12	99976-1256	F-11
92055-1580	C-5	92116-1076	D-3	92151-1252	C-3	92153-0627	E-6	92171-0481	E-4	99976-1310	F-11
92055-1677	E-10	92122-0007	D-4	92151-1252	C-5	92153-0629	B-13	92171-0482	E-4	99976-1389	F-11
92055-1677	E-12	92139-0096	B-9	92151-1311	C-8	92153-0631	C-3	92171-1066	B-5	99976-1390	F-11
92057-0086	D-13	92143-1087	D-8	92151-1336	B-13	92153-0689	E-11	92171-1105	C-6		
92058-1074	D-13	92143-1196	F-5	92151-1336	C-3	92153-0695	E-4	92171-1279	D-4		
92059-103	B-13	92143-1201	C-5	92151-1377	D-4	92153-0751	D-4	92171-1424	D-4		
92063-1366	C-5	92143-1361	B-10	92151-1423	B-4	92153-0773	E-9	92172-0119	D-5		
92063-1367	C-5	92143-1593	C-3	92151-1423	D-8	92153-0807	E-9	92172-0203	B-8		
92063-1368	C-5	92143-1676	D-5	92151-1423	E-6	92153-0808	E-9	92172-1064	E-6		
92063-1369	C-5	92143-1867	D-5	92151-1507	C-5	92153-0828	D-6	92190-1488	D-14		
92063-1370	C-5	92144-1204	B-6	92151-1537	E-9	92153-0859	B-4	92191-1211	C-9		
92063-1372	C-5	92144-1351	B-9	92151-1799	E-5	92153-0860	C-3	92191-1254	C-6		
92064-1130	C-5	92144-1721	E-5	92151-1822	B-6	92153-0862	B-13	92191-1256	C-6		
92064-1142	C-5	92144-1752	D-14	92151-1930	B-12	92153-0863	B-5	92191-1692	B-4		
92064-1143	C-5	92144-1819	E-7	92151-1930	C-3	92153-0863	B-6	92192-0203	C-6		
92064-1144	C-5	92145-0012	C-5	92151-1930	E-14	92153-0863	F-5	92192-0235	C-6		
92064-1145	C-5	92145-0015-8V	E-3	92152-0028	D-12	92153-0864	C-9	92200-0045	B-9		
92065-058	B-13	92145-0016-8V	E-3	92152-0108	D-6	92153-0936	E-11	92200-0067	E-11		
92066-0026-6Z	D-6	92145-0180	B-3	92152-0183	B-10	92153-0936	E-12	92200-0067	E-13		
92066-0060	C-3	92145-0195	D-7	92152-0211	D-4	92153-0936	E-7	92200-0202	D-5		
92066-1012	B-13	92145-0196	D-7	92152-0264	B-4	92153-0937	D-6	92200-0217	B-7		
92066-1437	B-13	92145-0244-8V	E-3	92152-0275	B-5	92153-0950	D-8	92200-0273	B-4		
92070-0015	C-8	92145-0274	B-6	92152-0324	D-12	92153-0974	D-14	92200-0285	D-5		
92070-0016	C-8	92145-0284	B-4	92152-1137	D-5	92153-1308	F-3	92200-1143	B-9		
92070-1269	C-8	92145-0298	B-4	92152-1139	D-6	92153-1458	D-6	92200-1209	B-8		
92070-1270	C-8	92145-1488	B-12	92152-1346	E-14	92153-1790	D-3	92200-1466	C-6		
92070-1271	C-8	92145-1489	B-12	92152-1407	B-6	92160-1196	B-5	92200-1548	B-9		
92070-1274	C-8	92145-1490	B-12	92152-1414	B-12	92160-1913	B-6	92200-1623	D-13		
92070-1275	C-8	92145-1517	B-8	92152-1417	B-12	92161-0113	E-9	92210-0065	D-12		
92070-1276	C-8	92150-1125	D-4	92152-1421	C-7	92161-0228	B-6	92210-0066	E-11		
92072-0055	E-8	92150-1214	D-4	92152-1422	D-8	92161-1172	E-3	92210-0066	E-13		
92072-1229	E-14	92150-1451	E-4	92152-1427	D-13	92161-1184	D-11	92210-0159	D-13		
92072-1293	D-4	92150-1452	E-4	92152-1472	D-11	92161-1279	E-14	92210-0167	E-9		
92075-1138	C-7	92150-1489	B-9	92152-1473	D-13	92161-1280	E-14	92210-0179	D-5		

This catalog covers:

'06~'08 KX250 R6F/R7F/R8F

GRID NO.

B-16

This grid covers:

Part Name Index

Accessory.....	F-10
Air Cleaner.....	B-5
Brake Pedal.....	D-14
Cables.....	F-4
Carburetor.....	C-4/C-5/C-6
Clutch.....	B-9
Crankcase.....	B-13
Crankshaft.....	B-7
Cylinder.....	B-3/B-4
Cylinder Head.....	B-3/B-4
Decals(Green)(R6F).....	F-8
Decals(Green)(R7F/R8F).....	F-9
Engine Cover(s).....	B-14/C-3
Fenders.....	D-8
Footrests.....	D-7
Frame.....	D-3
Frame Fittings.....	D-4
Front Brake.....	E-5
Front Fork(R6F).....	E-10/E-11
Front Fork(R7F/R8F).....	E-12/E-13
Front Hub.....	D-12
Front Master Cylinder.....	E-4
Fuel Tank.....	E-14

Gear Change Drum.....	B-11
Gear Change Mechanism.....	B-12
Generator.....	C-7
Handlebar.....	E-8/E-9
Ignition System.....	C-8
Kickstarter Mechanism.....	B-8
Labels.....	F-7
Manual(EU).....	F-11
Muffler(s).....	B-6
Owner's Tools.....	F-6
Piston(s).....	B-7
Radiator.....	C-9
Rear Brake.....	E-7
Rear Hub.....	D-13
Rear Master Cylinder.....	E-6
Seat.....	F-3
Shift Fork(s).....	B-11
Shock Absorber(s).....	E-3
Side Covers.....	F-5
Stand(s).....	D-9
Suspension.....	D-6
Swingarm.....	D-5
Tires.....	D-10/D-11
Transmission.....	B-10

This catalog covers:

'06~'08 KX250 R6F/R7F/R8F

GRID NO.

C-16

This grid covers:

Part Name Index

Accessory.....	F-10
Air Cleaner.....	B-5
Brake Pedal.....	D-14
Cables.....	F-4
Carburetor.....	C-4/C-5/C-6
Clutch.....	B-9
Crankcase.....	B-13
Crankshaft.....	B-7
Cylinder.....	B-3/B-4
Cylinder Head.....	B-3/B-4
Decals(Green)(R6F).....	F-8
Decals(Green)(R7F/R8F).....	F-9
Engine Cover(s).....	B-14/C-3
Fenders.....	D-8
Footrests.....	D-7
Frame.....	D-3
Frame Fittings.....	D-4
Front Brake.....	E-5
Front Fork(R6F).....	E-10/E-11
Front Fork(R7F/R8F).....	E-12/E-13
Front Hub.....	D-12
Front Master Cylinder.....	E-4
Fuel Tank.....	E-14

Gear Change Drum.....	B-11
Gear Change Mechanism.....	B-12
Generator.....	C-7
Handlebar.....	E-8/E-9
Ignition System.....	C-8
Kickstarter Mechanism.....	B-8
Labels.....	F-7
Manual(EU).....	F-11
Muffler(s).....	B-6
Owner's Tools.....	F-6
Piston(s).....	B-7
Radiator.....	C-9
Rear Brake.....	E-7
Rear Hub.....	D-13
Rear Master Cylinder.....	E-6
Seat.....	F-3
Shift Fork(s).....	B-11
Shock Absorber(s).....	E-3
Side Covers.....	F-5
Stand(s).....	D-9
Suspension.....	D-6
Swingarm.....	D-5
Tires.....	D-10/D-11
Transmission.....	B-10

This catalog covers:

'06~'08 KX250 R6F/R7F/R8F

GRID NO.

D-16

This grid covers:

Part Name Index

Accessory.....	F-10
Air Cleaner.....	B-5
Brake Pedal.....	D-14
Cables.....	F-4
Carburetor.....	C-4/C-5/C-6
Clutch.....	B-9
Crankcase.....	B-13
Crankshaft.....	B-7
Cylinder.....	B-3/B-4
Cylinder Head.....	B-3/B-4
Decals(Green)(R6F).....	F-8
Decals(Green)(R7F/R8F).....	F-9
Engine Cover(s).....	B-14/C-3
Fenders.....	D-8
Footrests.....	D-7
Frame.....	D-3
Frame Fittings.....	D-4
Front Brake.....	E-5
Front Fork(R6F).....	E-10/E-11
Front Fork(R7F/R8F).....	E-12/E-13
Front Hub.....	D-12
Front Master Cylinder.....	E-4
Fuel Tank.....	E-14

Gear Change Drum.....	B-11
Gear Change Mechanism.....	B-12
Generator.....	C-7
Handlebar.....	E-8/E-9
Ignition System.....	C-8
Kickstarter Mechanism.....	B-8
Labels.....	F-7
Manual(EU).....	F-11
Muffler(s).....	B-6
Owner's Tools.....	F-6
Piston(s).....	B-7
Radiator.....	C-9
Rear Brake.....	E-7
Rear Hub.....	D-13
Rear Master Cylinder.....	E-6
Seat.....	F-3
Shift Fork(s).....	B-11
Shock Absorber(s).....	E-3
Side Covers.....	F-5
Stand(s).....	D-9
Suspension.....	D-6
Swingarm.....	D-5
Tires.....	D-10/D-11
Transmission.....	B-10

This catalog covers:

'06~'08 KX250 R6F/R7F/R8F

GRID NO.

E-16

This grid covers:

Part Name Index

Accessory.....	F-10
Air Cleaner.....	B-5
Brake Pedal.....	D-14
Cables.....	F-4
Carburetor.....	C-4/C-5/C-6
Clutch.....	B-9
Crankcase.....	B-13
Crankshaft.....	B-7
Cylinder.....	B-3/B-4
Cylinder Head.....	B-3/B-4
Decals(Green)(R6F).....	F-8
Decals(Green)(R7F/R8F).....	F-9
Engine Cover(s).....	B-14/C-3
Fenders.....	D-8
Footrests.....	D-7
Frame.....	D-3
Frame Fittings.....	D-4
Front Brake.....	E-5
Front Fork(R6F).....	E-10/E-11
Front Fork(R7F/R8F).....	E-12/E-13
Front Hub.....	D-12
Front Master Cylinder.....	E-4
Fuel Tank.....	E-14

Gear Change Drum.....	B-11
Gear Change Mechanism.....	B-12
Generator.....	C-7
Handlebar.....	E-8/E-9
Ignition System.....	C-8
Kickstarter Mechanism.....	B-8
Labels.....	F-7
Manual(EU).....	F-11
Muffler(s).....	B-6
Owner's Tools.....	F-6
Piston(s).....	B-7
Radiator.....	C-9
Rear Brake.....	E-7
Rear Hub.....	D-13
Rear Master Cylinder.....	E-6
Seat.....	F-3
Shift Fork(s).....	B-11
Shock Absorber(s).....	E-3
Side Covers.....	F-5
Stand(s).....	D-9
Suspension.....	D-6
Swingarm.....	D-5
Tires.....	D-10/D-11
Transmission.....	B-10

This catalog covers:

'06~'08 KX250 R6F/R7F/R8F

GRID NO.

F-16

This grid covers:

Part Name Index

Accessory.....	F-10
Air Cleaner.....	B-5
Brake Pedal.....	D-14
Cables.....	F-4
Carburetor.....	C-4/C-5/C-6
Clutch.....	B-9
Crankcase.....	B-13
Crankshaft.....	B-7
Cylinder.....	B-3/B-4
Cylinder Head.....	B-3/B-4
Decals(Green)(R6F).....	F-8
Decals(Green)(R7F/R8F).....	F-9
Engine Cover(s).....	B-14/C-3
Fenders.....	D-8
Footrests.....	D-7
Frame.....	D-3
Frame Fittings.....	D-4
Front Brake.....	E-5
Front Fork(R6F).....	E-10/E-11
Front Fork(R7F/R8F).....	E-12/E-13
Front Hub.....	D-12
Front Master Cylinder.....	E-4
Fuel Tank.....	E-14

Gear Change Drum.....	B-11
Gear Change Mechanism.....	B-12
Generator.....	C-7
Handlebar.....	E-8/E-9
Ignition System.....	C-8
Kickstarter Mechanism.....	B-8
Labels.....	F-7
Manual(EU).....	F-11
Muffler(s).....	B-6
Owner's Tools.....	F-6
Piston(s).....	B-7
Radiator.....	C-9
Rear Brake.....	E-7
Rear Hub.....	D-13
Rear Master Cylinder.....	E-6
Seat.....	F-3
Shift Fork(s).....	B-11
Shock Absorber(s).....	E-3
Side Covers.....	F-5
Stand(s).....	D-9
Suspension.....	D-6
Swingarm.....	D-5
Tires.....	D-10/D-11
Transmission.....	B-10