

This catalog covers:

'06~'08 KX125 M6F/M7F/M8F

GRID NO.

A-1

This grid covers:

Title



PARTS CATALOG

'06~'08 KX125 M6F/M7F/M8F

(KX125)

Publications	A-2
Model Identification	A-4
Engine	B-1
Chassis	D-1

© Kawasaki Heavy Industries, Ltd. 2007

Engine No. Location:
LH side, bottom of engine case

Year & Model

'06 KX125M6F

'07 KX125M7F

'08 KX125M8F

Color

1. Lime Green (777)

1. Lime Green (777)

1. Lime Green (777)

VIN No. Range

JKAKX125MMA021001 ~ 025000

JKAKX125MMA025001 ~ 027000

JKAKX125MMA027001 ~

JKAKXRMC√6A021001 ~ 025000 (Australia only)

JKAKXRMC√7A025001 ~ 027000 (Australia only)

JKAKXRMC√8A027001 ~ (Australia only)

Engine No. Range

KX125ME000001 ~

KX125ME000001 ~

KX125ME000001 ~

This catalog covers:

'06~'08 KX125 M6F/M7F/M8F

GRID NO.

A-2

This grid covers:

Publications

Year & Model	Owner's Manual	A&P Manual		Service Manual		Microfiche
		General	Supplement	Basic	Supplement	
2006 KX125M6F	99976-1254 99986-1297(Australia only)	99939-1316-01		99924-1298-05		99912-1328-03
2007 KX125M7F	99976-1312 99986-1363(Australia only)	See above		99924-1298-06		See above
2008 KX125M8F	99976-1387(EN/FR/DE) 99976-1388(IT/ES/NL) 99986-1417(Australia only)	See above		99924-1298-07		See above

This catalog covers:

'06~'08 KX125 M6F/M7F/M8F

GRID NO.

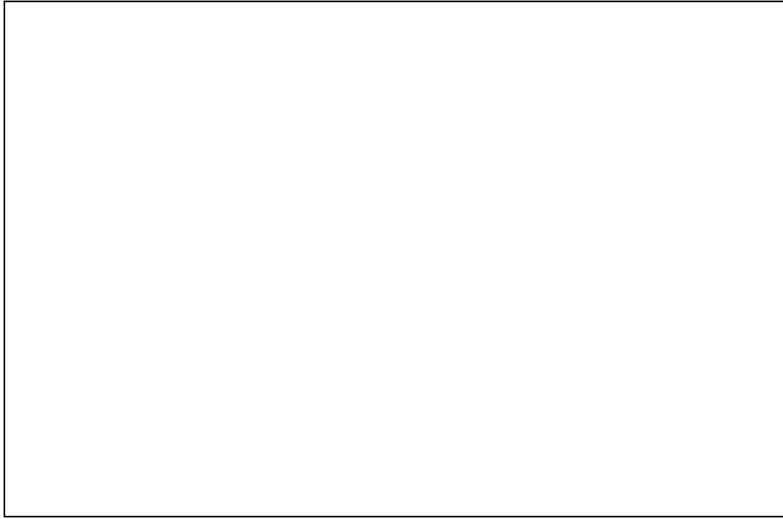
A-4

This grid covers:

Model I.D. '06~'07 KX125 M6F/M7F

KX125M6F

Left Side View

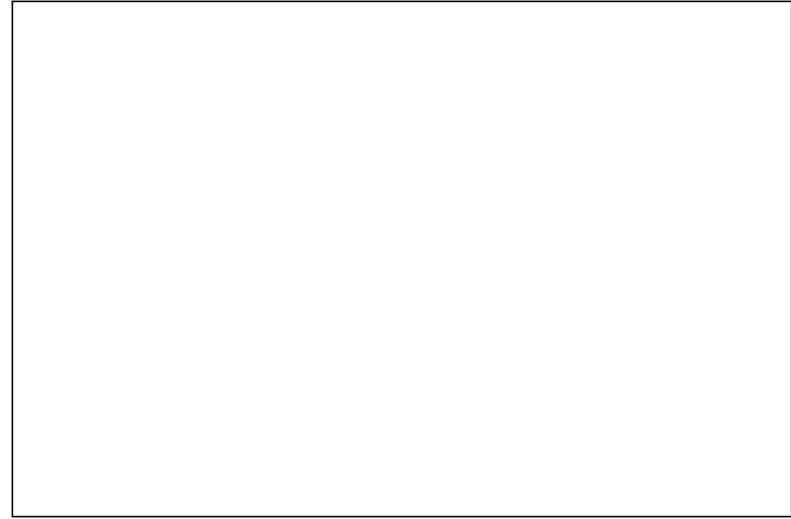


Right Side View



KX125M7F

Left Side View



Right Side View



This catalog covers:

'06~'08 KX125 M6F/M7F/M8F

GRID NO.

A-5

This grid covers:

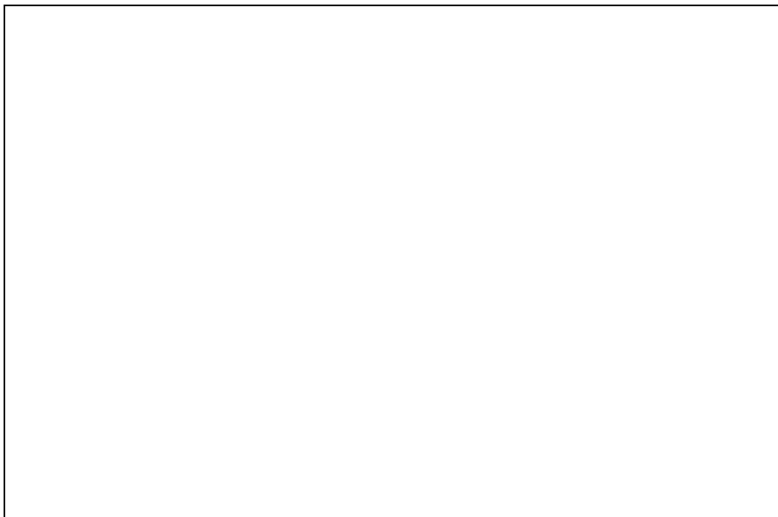
Model I.D. '08 KX125M8F

KX125M8F

Left Side View



Right Side View



This catalog covers:

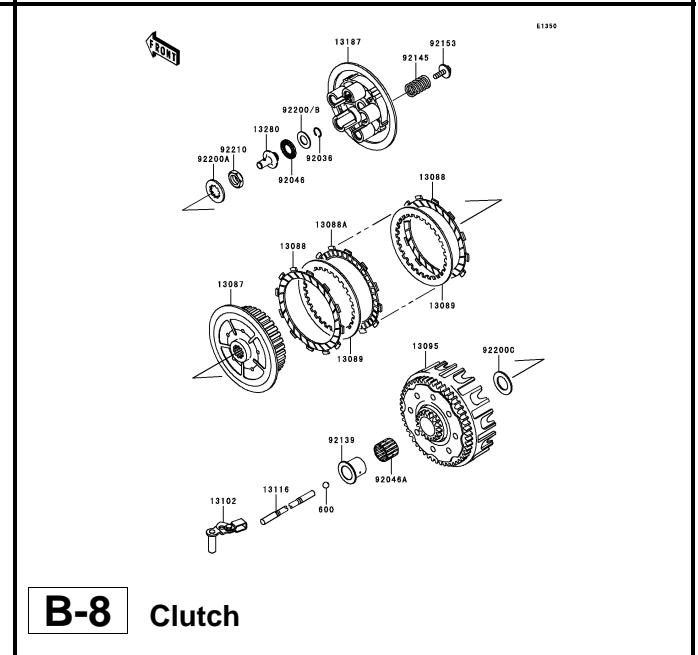
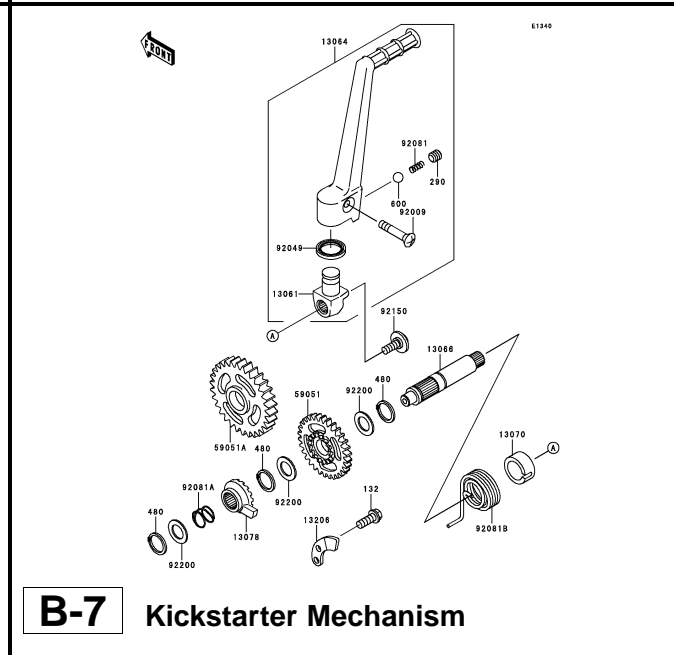
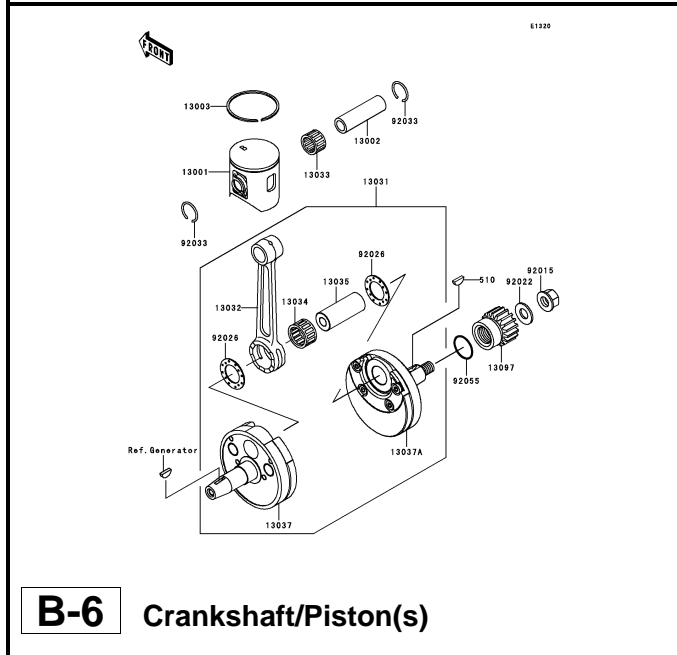
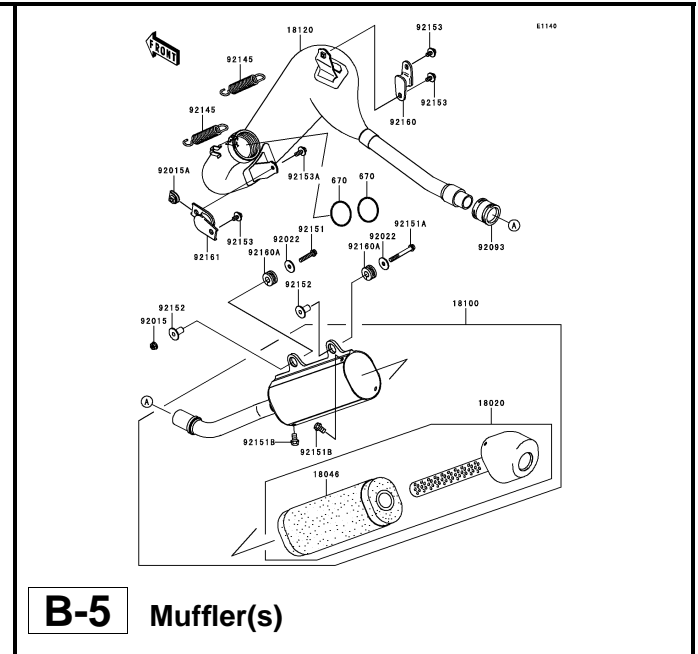
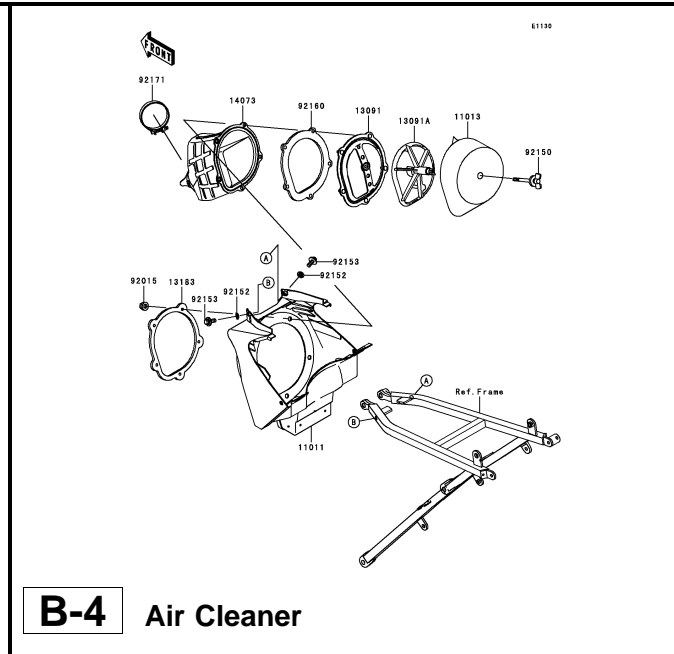
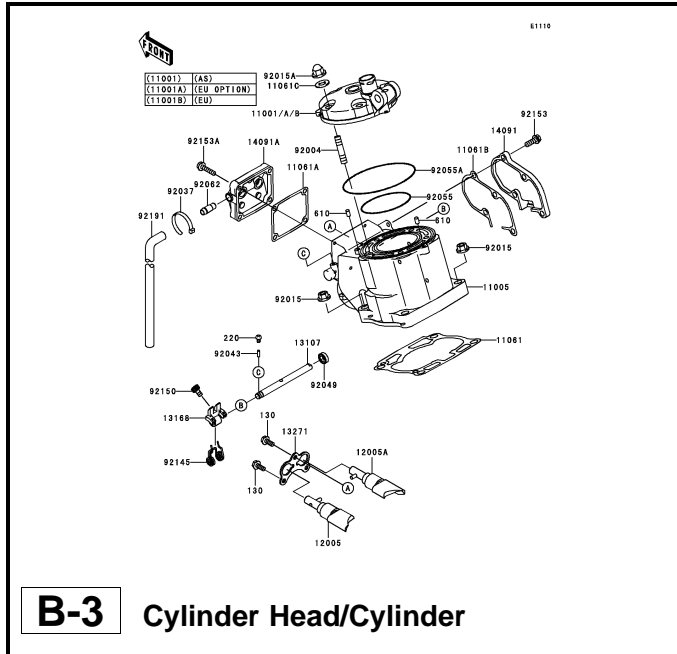
'06~'08 KX125 M6F/M7F/M8F Engine

GRID NO.

B-1

This grid covers:

Pictorial Index



This catalog covers:

'06~'08 KX125 M6F/M7F/M8F Engine

GRID NO.

C-2

This grid covers:

Pictorial Index

This catalog covers:

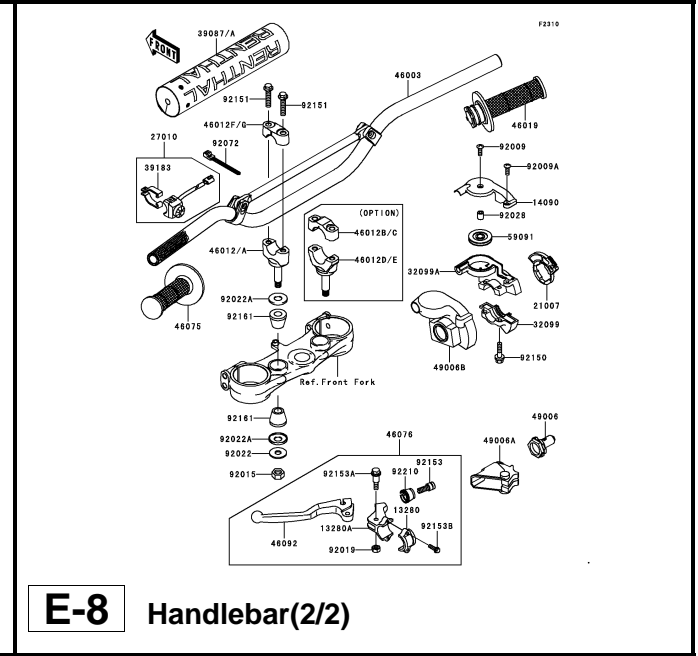
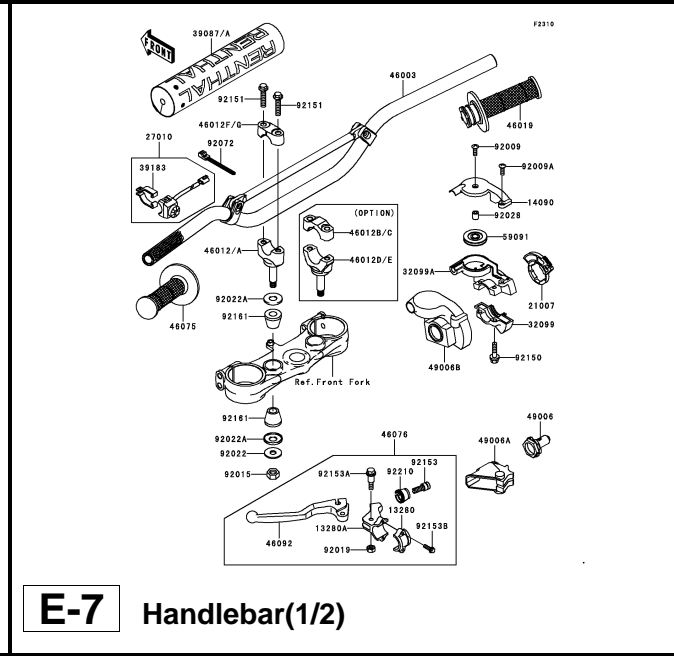
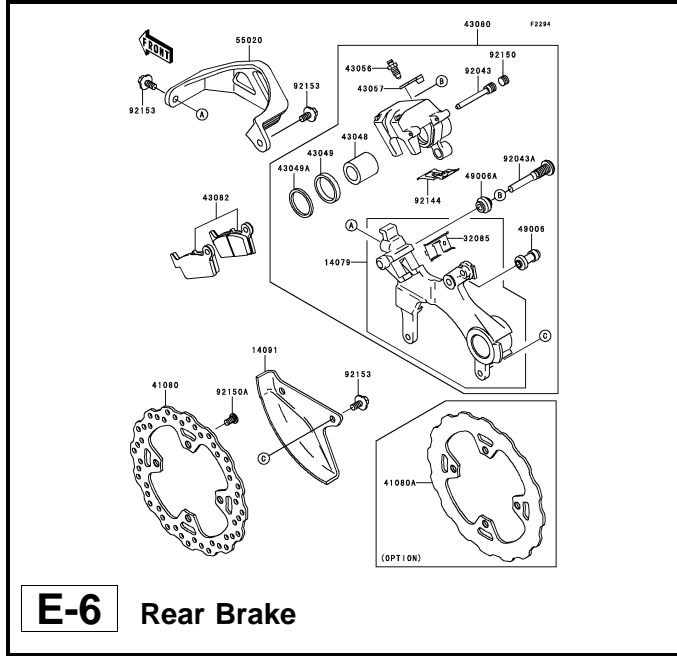
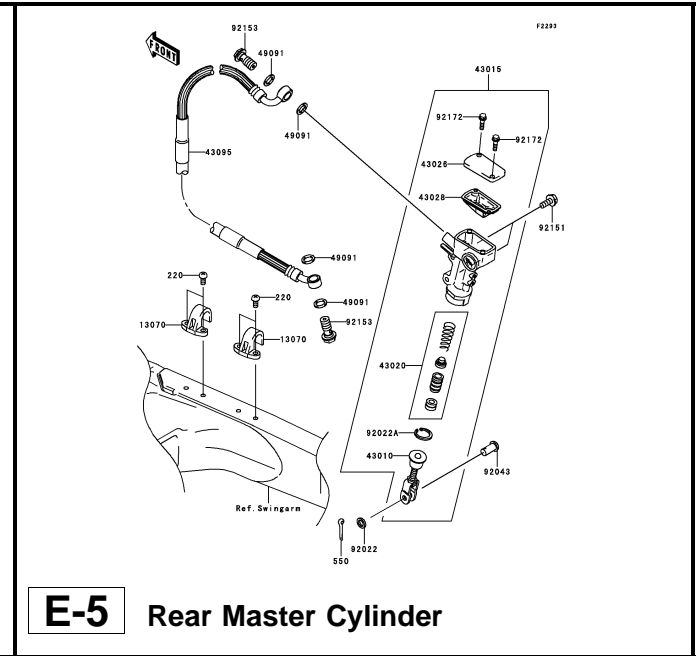
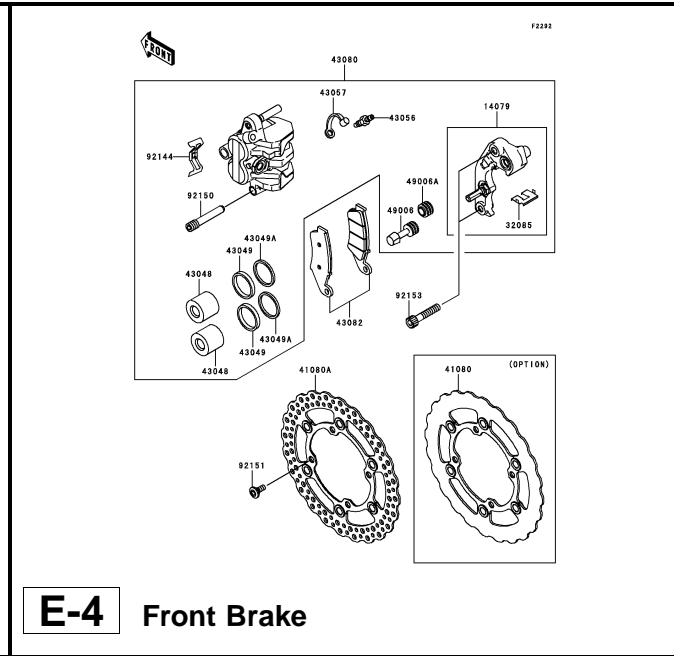
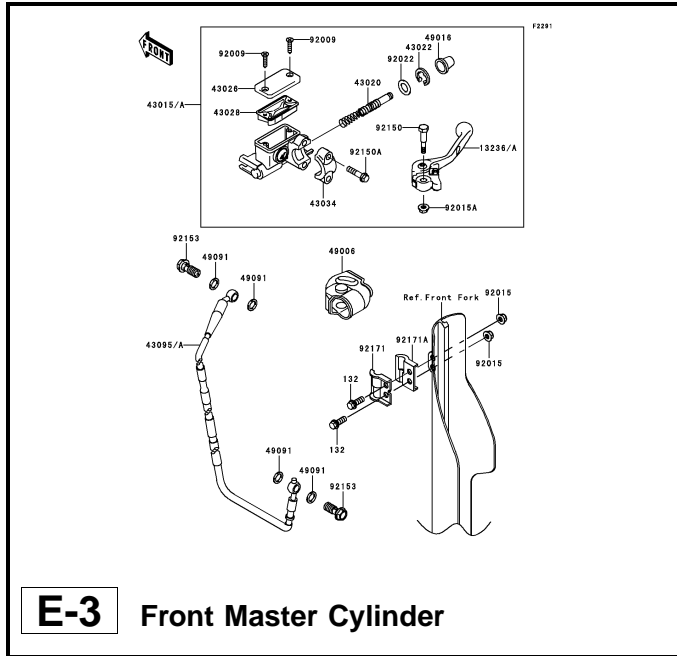
'06~'08 KX125 M6F/M7F/M8F Chassis

GRID NO.

E-1

This grid covers:

Pictorial Index



This catalog covers:

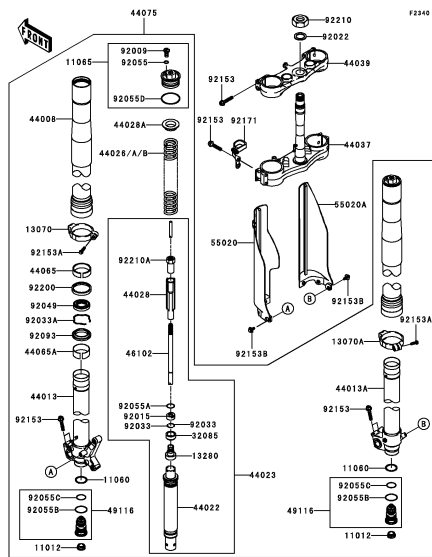
'06~'08 KX125 M6F/M7F/M8F Chassis

GRID NO.

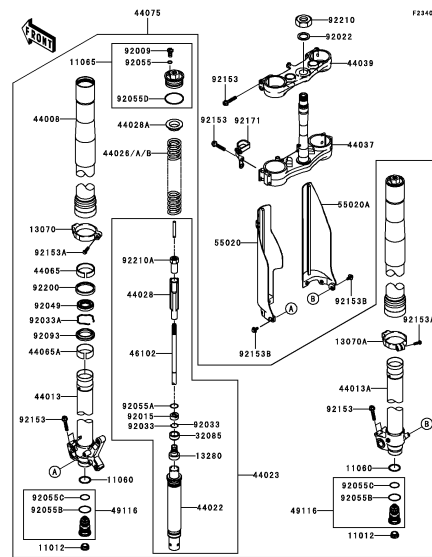
E-2

This grid covers:

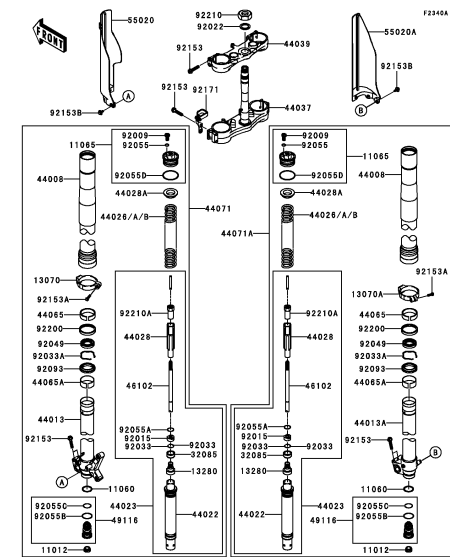
Pictorial Index



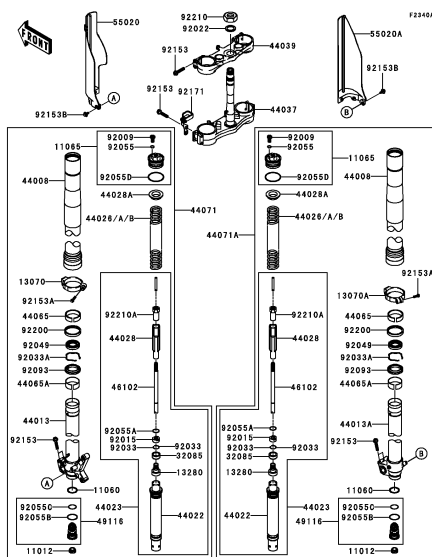
E-9 Front Fork(1/2)(M6F)



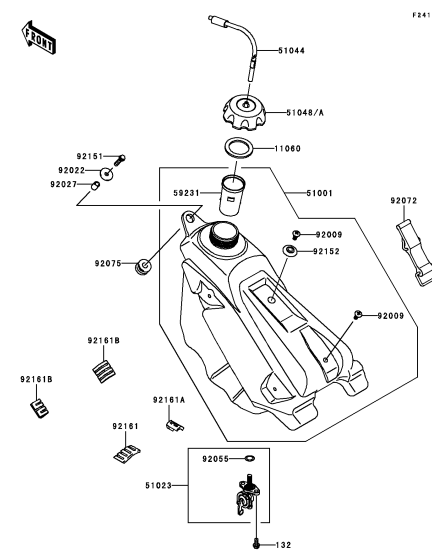
E-10 Front Fork(2/2)(M6F)



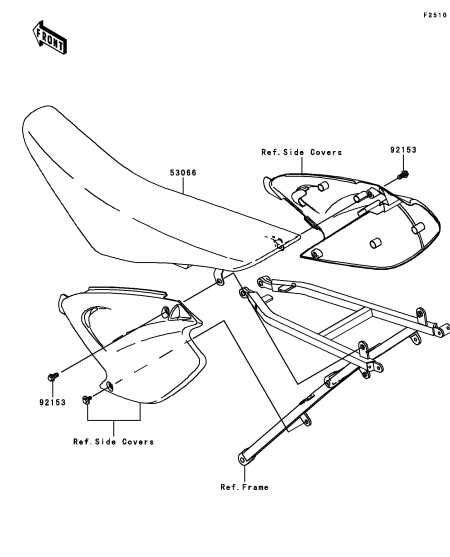
E-11 Front Fork(1/2)(M7F/M8F)



E-12 Front Fork(2/2)(M7F/M8F)



E-13 Fuel Tank



E-14 Seat

This catalog covers:

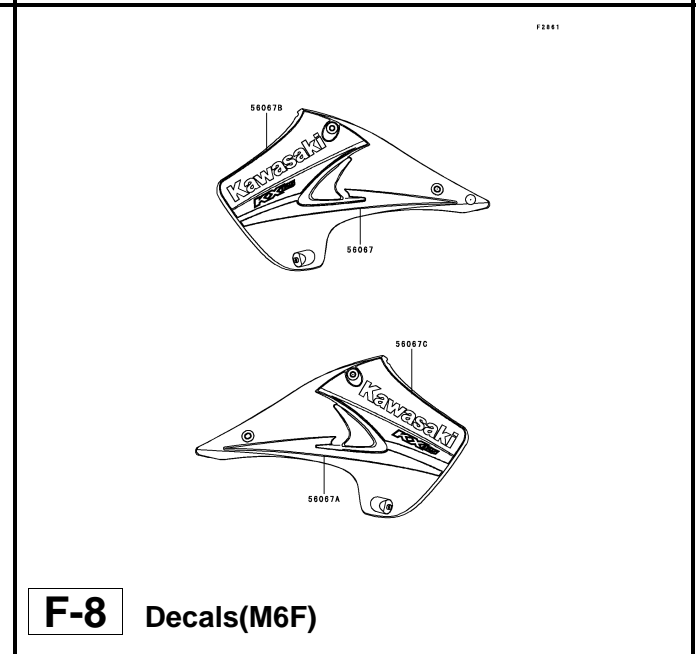
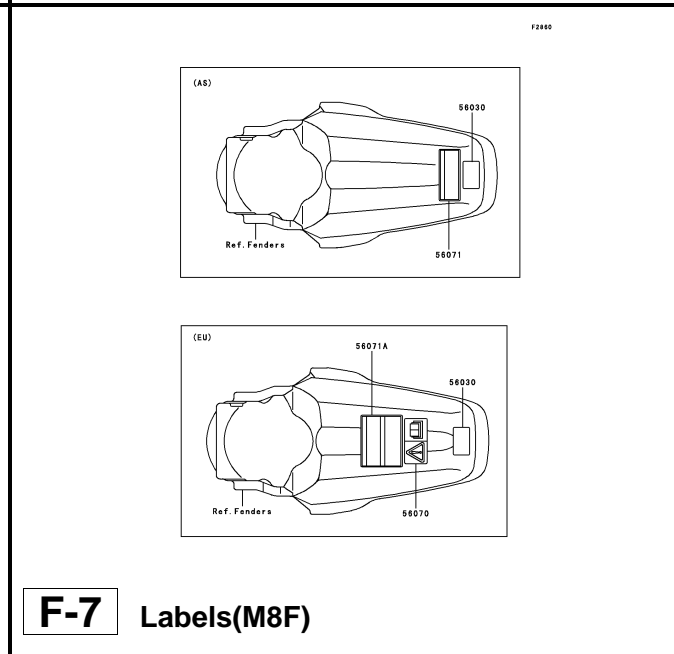
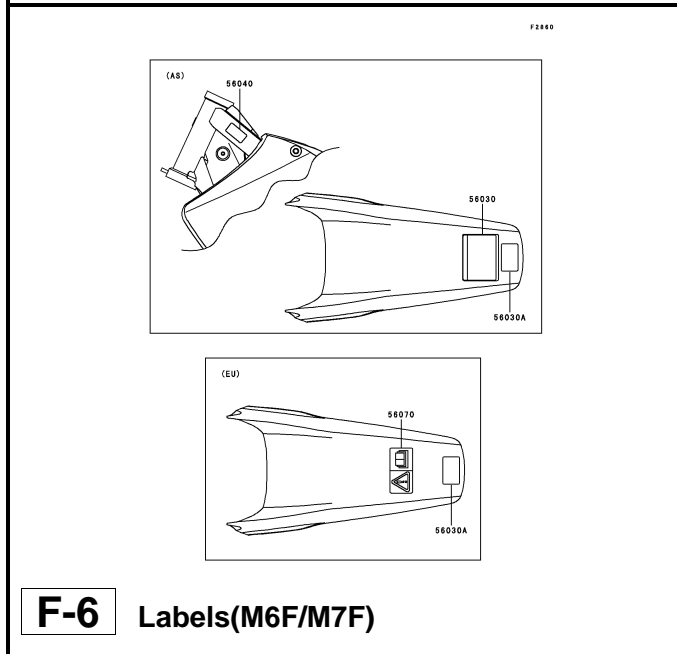
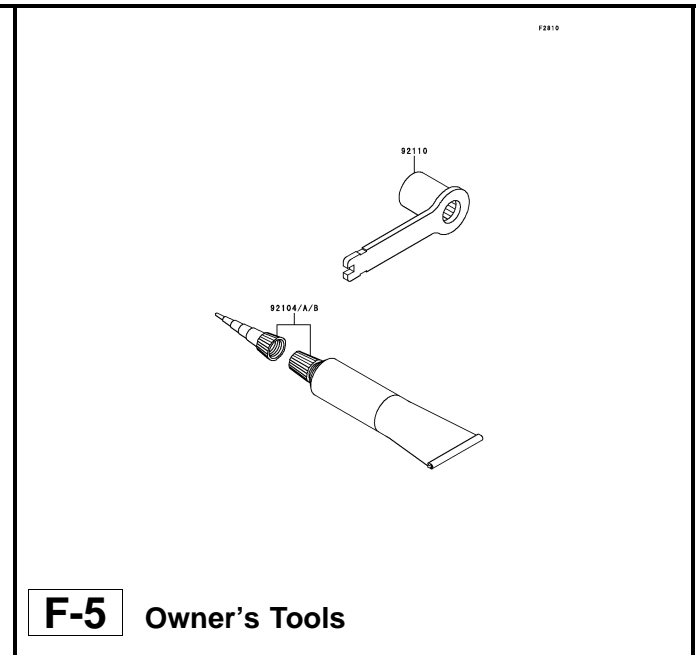
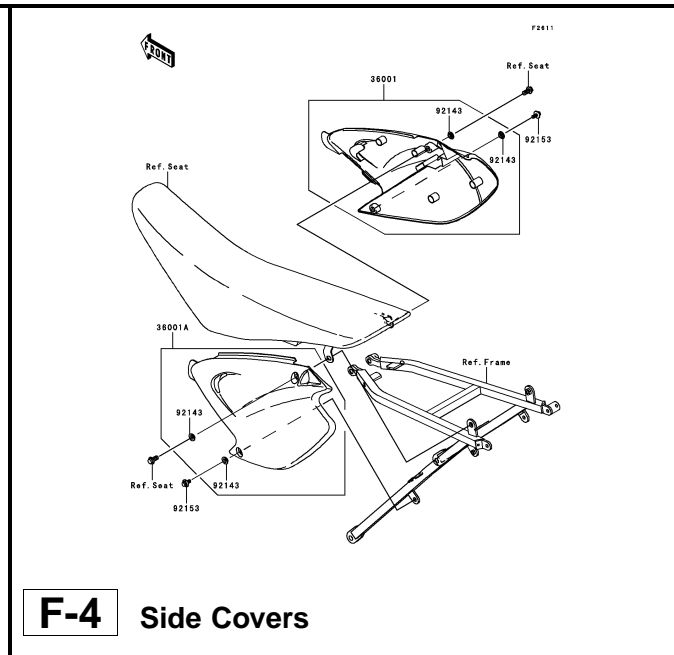
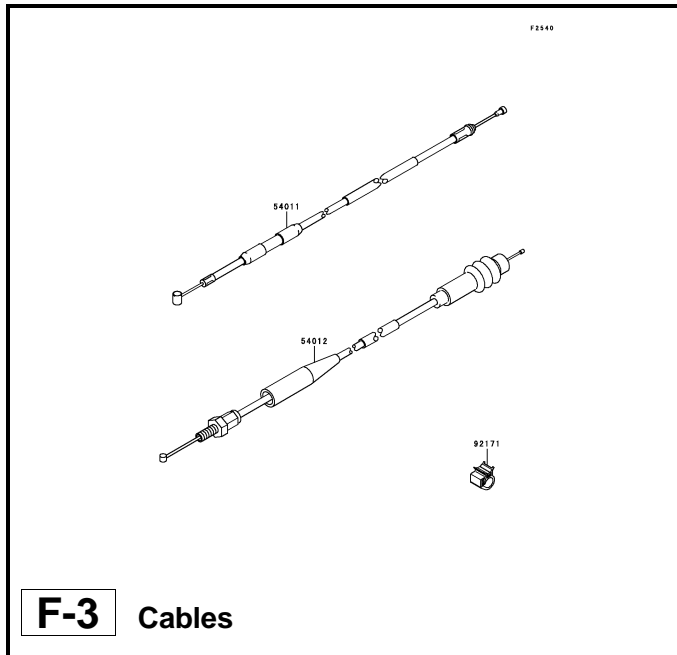
'06~'08 KX125 M6F/M7F/M8F Chassis

GRID NO.

F-1

This grid covers:

Pictorial Index



This catalog covers:

'06~'08 KX125 M6F/M7F/M8F Chassis

GRID NO.

F-2

This grid covers:

Pictorial Index

F2861A

56067
56052A
58052
56067A
56067C
56067B
56067D

F-9 Decals(M7F/M8F)

F2890

41024
41090
41025
41032
41030
92048
92045
92152

F-10 Optional Parts

F2910

58029

F-11 Accessory

F2920

Owner's Manual
(Local Procurement)

99976/A/B/C

Ref. No.	Language
(99976/A)	English
	French
	German
	Italian
(99978B)	English
	French
	German
	Italian
(99976C)	Spanish
	Dutch

Service Manual

99953
99954
99955

Ref. No.	Language
(99953)	German
(99954)	French
(99955)	Italian

A&P Manual

99946
99950
99951

Ref. No.	Language
(99946)	German
(99950)	French
(99951)	Italian

F-12 Manual(EU)

This catalog covers:

'06~'08 KX125 M6F/M7F/M8F Engine

GRID NO.

B-3

This grid covers:

Cylinder Head/Cylinder

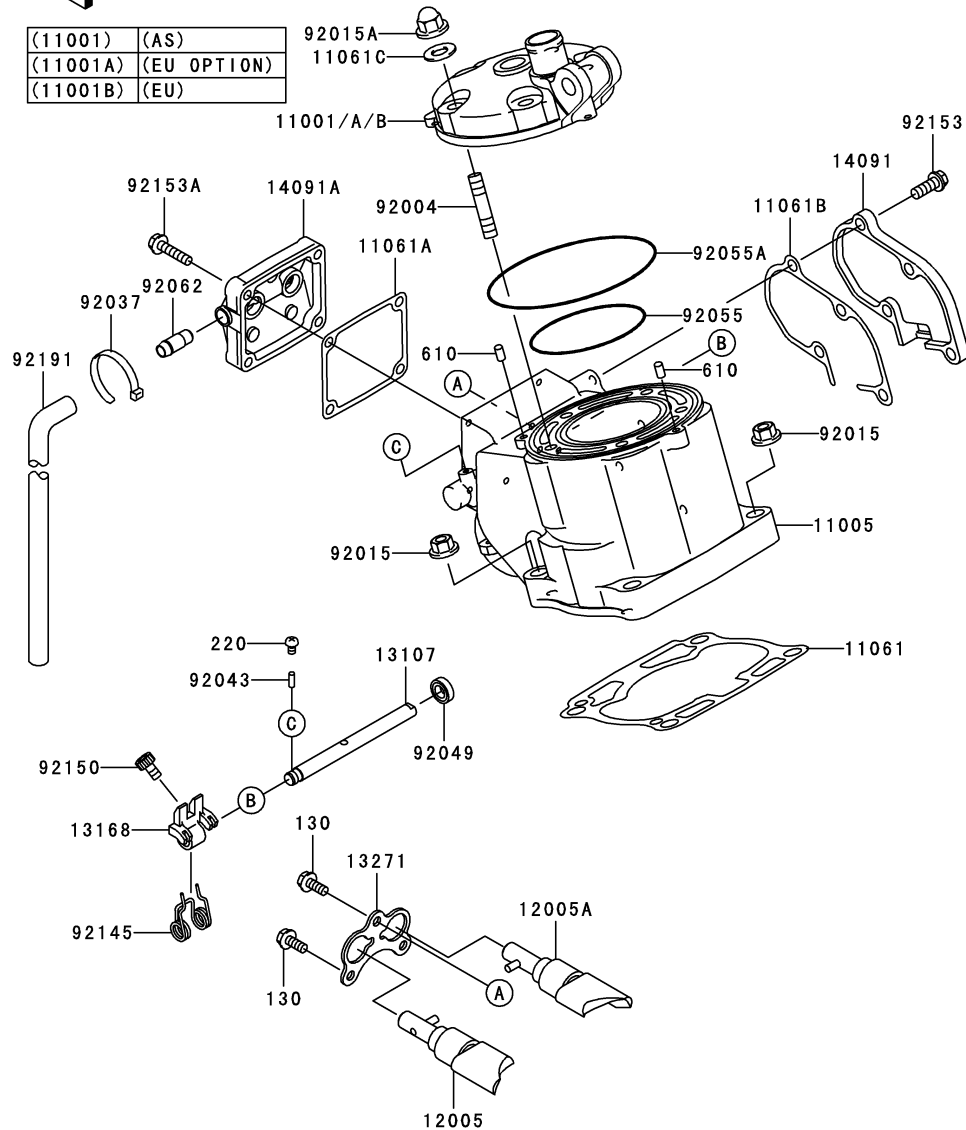
E1110

Ref. No.	Part No.	Description	Spec Code	Quantity-KX125			
				'06	'07	'08	
				M6F	M7F	M8F	

11001	11001-0013	HEAD-CYLINDER				
	L-----		AS	1	1	1
11001A	11001-0013	HEAD-CYLINDER				
	L-----		EU	1	1	1
	(OPTION)					
11001B	11001-0031	HEAD-CYLINDER				
	L-----		EU	1	1	1
11005	11005-0026	CYLINDER-ENGINE		1	1	1
11061	11061-0039	GASKET,T=0.37		1	1	1
11061A	11061-1131	GASKET,CENTER COVER		1	1	1
11061B	11061-1132	GASKET,RIGHT COVER		1	1	1
11061C	11061-1133	GASKET,HEAD		5	5	5
12005	12005-0012	VALVE-EXHAUST,LH		1	1	1
12005A	12005-0014	VALVE-EXHAUST,RH		1	1	1
13107	13107-1500	SHAFT		1	1	1
13168	13168-1747	LEVER		1	1	1
13271	13271-1823	PLATE		1	1	1
14091	14091-0077	COVER,RH		1	1	1
14091A	14091-0173	COVER,CNT		1	1	1
92004	92004-1110	STUD,8X28		5	5	5
92015	92015-1143	NUT,8MM		4	4	4
92015A	92015-1151	NUT,CAP,8MM		5	5	5
92037	92037-1173	CLAMP		1	1	1
92043	92043-0033	PIN,3X8.5		1	1	1
92049	92049-1238	SEAL-OIL,SD088144		1	1	1
92055	92055-1678	RING-O,62.5X1.9		1	1	1
92055A	92055-1679	RING-O,OUT		1	1	1
92062	92062-3711	NOZZLE		1	1	1
92145	92145-1491	SPRING		1	1	1
92150	92150-1888	BOLT,SOCKET,4X8		1	1	1
92153	92153-0695	BOLT,6X16		4	4	4
92153A	92153-0933	BOLT,FLANGED,5X22		4	4	4
92191	92191-1692	TUBE,5.8X10.8X225		1	1	1
130	130G0512	BOLT-FLANGED,5X12		3	3	3
220	220B0406	SCREW-PAN-CROS,4X6		1	1	1
610	610A0408	ROLLER,4X8		2	2	2



(11001)	(AS)
(11001A)	(EU OPTION)
(11001B)	(EU)



This catalog covers:

'06~'08 KX125 M6F/M7F/M8F Engine

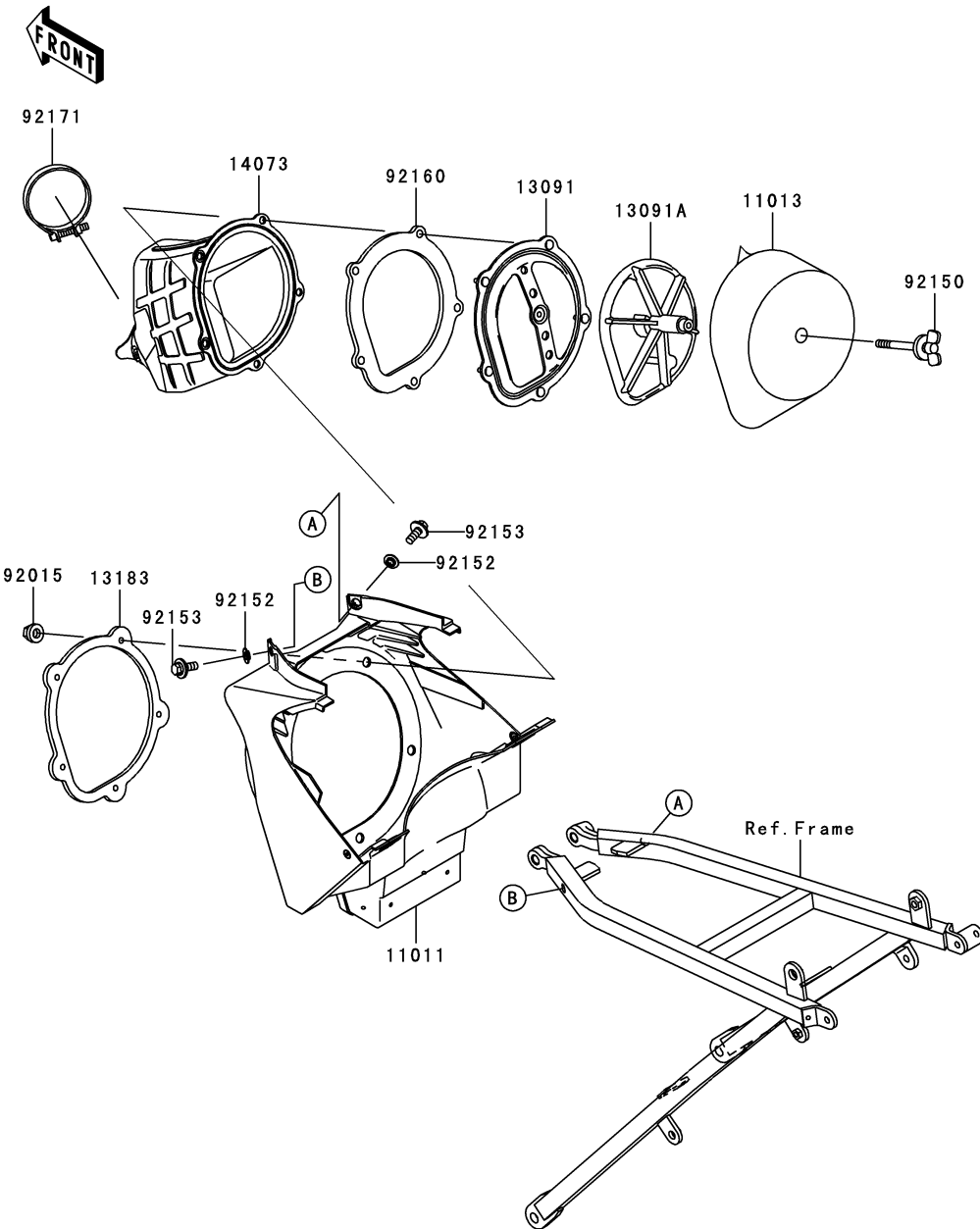
GRID NO.

B-4

This grid covers:

Air Cleaner

E1130



Ref. No.	Part No.	Description	Quantity-KX125			
			'06	'07	'08	
			M6F	M7F	M8F	
11011	11011-0048	CASE-AIR FILTER	1	1	1	
11013	11013-1264	ELEMENT-AIR FILTER	1	1	1	
13091	13091-1664	HOLDER	1	1	1	
13091A	13091-1708	HOLDER,ELEMENT	1	1	1	
13183	13183-1530	PLATE,DUCT FITTING	1	1	1	
14073	14073-0034	DUCT,AIR FILTER	1	1	1	
92015	92015-1259	NUT,FLANGED,5MM	5	5	5	
92150	92150-1565	BOLT,WING	1	1	1	
92152	92152-0275	COLLAR	2	2	2	
92153	92153-0863	BOLT,6X16	2	2	2	
92160	92160-1196	DAMPER,DUCT SEAL	1	1	1	
92171	92171-1066	CLAMP,AIR FILTER	1	1	1	

This catalog covers:

'06~'08 KX125 M6F/M7F/M8F Engine

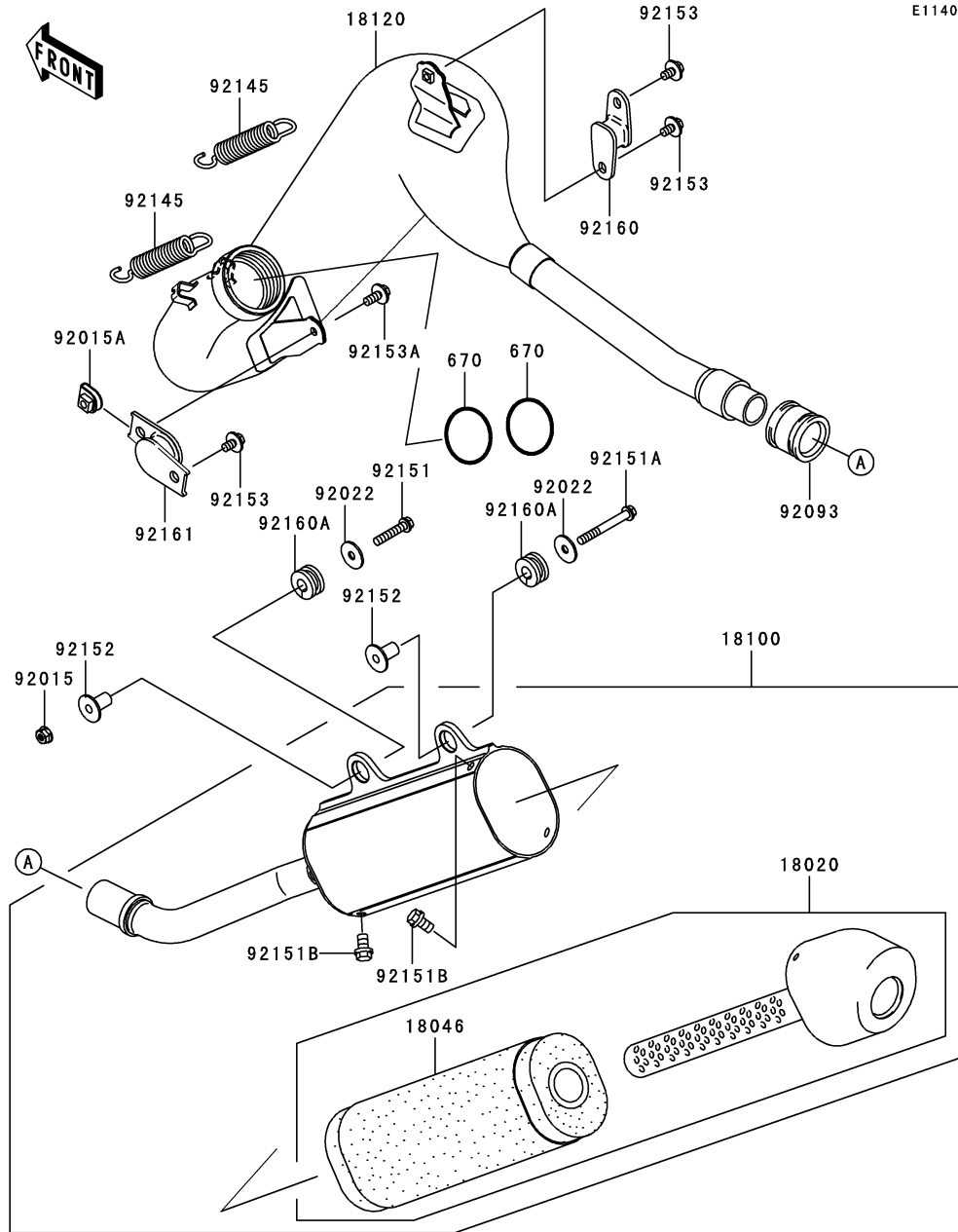
GRID NO.

B-5

This grid covers:

Muffler(s)

E1140



Ref. No.	Part No.	Description	Spec Code	Quantity-KX125		
				'06	'07	'08
				M6F	M7F	M8F
18020	18020-0007	BAFFLE	1	1	1	
18046	18046-1597	WOOL	1	1	1	
18100	18100-0003	BODY-ASSY-MUFFLER	1	1	1	
18120	18120-0011	CHAMBER-EXHAUST	1	1	1	
92015	92015-1078	NUT,FLANGED,6MM	1	1	1	
92015A	92015-1904	NUT,CLIP,6MM	1	1	1	
92022	92022-237	WASHER,6.5X22X1.6	2	2	2	
92093	92093-1363	SEAL,MUFFLER CONNECTING	1	1	1	
92145	92145-1340	SPRING,EXHAUST CONNECTING	2	2	2	
92151	92151-1134	BOLT,6X30	1	1	1	
92151A	92151-1234	BOLT,6X50	1	1	1	
92151B	92151-1822	BOLT,FLANGED,6X10	4	4	4	
92152	92152-1407	COLLAR	2	2	2	
92153	92153-0503	BOLT,6X12	3	3	3	
92153A	92153-0863	BOLT,6X16	1	1	1	
92160	92160-1201	DAMPER,MUFFLER,RR	1	1	1	
92160A	92160-1913	DAMPER	2	2	2	
92161	92161-1290	DAMPER	1	1	1	
670	670E3045	O RING,45MM	2	2	2	

This catalog covers:

'06~'08 KX125 M6F/M7F/M8F Engine

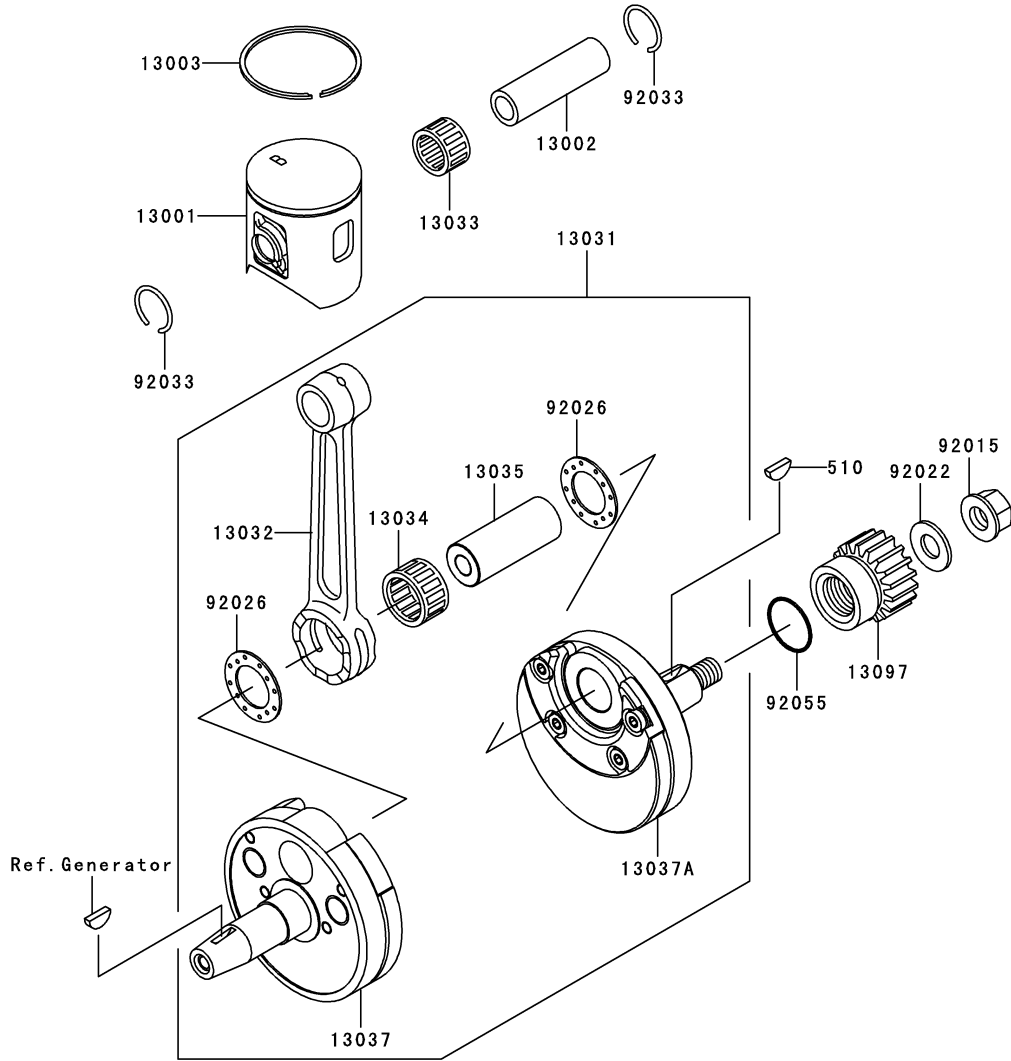
GRID NO.

B-6

This grid covers:

Crankshaft/Piston(s)

E1320



Ref. No.	Part No.	Description	Spec Code	Quantity-KX125			
				'06	'07	'08	
				M6F	M7F	M8F	
13001	13001-0009	PISTON-ENGINE,SIZE B	1	1	1		
13002	13002-1099	PIN-PISTON	1	1	1		
13003	13003-0020	RING-PISTON TOP	1	1	1		
13031	13031-0017	CRANKSHAFT-COMP	1	1	1		
13032	13032-0010	ROD-CONNECTING	1	1	1		
13033	13033-1062	BEARING-SMALL END	1	1	1		
13034	13034-1099	BEARING-BIG END,B4	1	1	1		
13035	13035-1096	PIN-CRANK	1	1	1		
13037	13037-0017	CRANKSHAFT,LH	1	1	1		
13037A	13037-0018	CRANKSHAFT,RH	1	1	1		
13097	13097-0007	GEAR-PRIMARY SPUR	1	1	1		
92015	92015-1156	NUT,FLANGED,12MM	1	1	1		
92022	92022-1831	WASHER	1	1	1		
92026	92026-1546	SPACER	2	2	2		
92033	92033-1335	RING-SNAP	2	2	2		
92055	92055-086	RING-O,18.8X1.9	1	1	1		
510	510A5100	KEY-WOODRUFF	1	1	1		

This catalog covers:

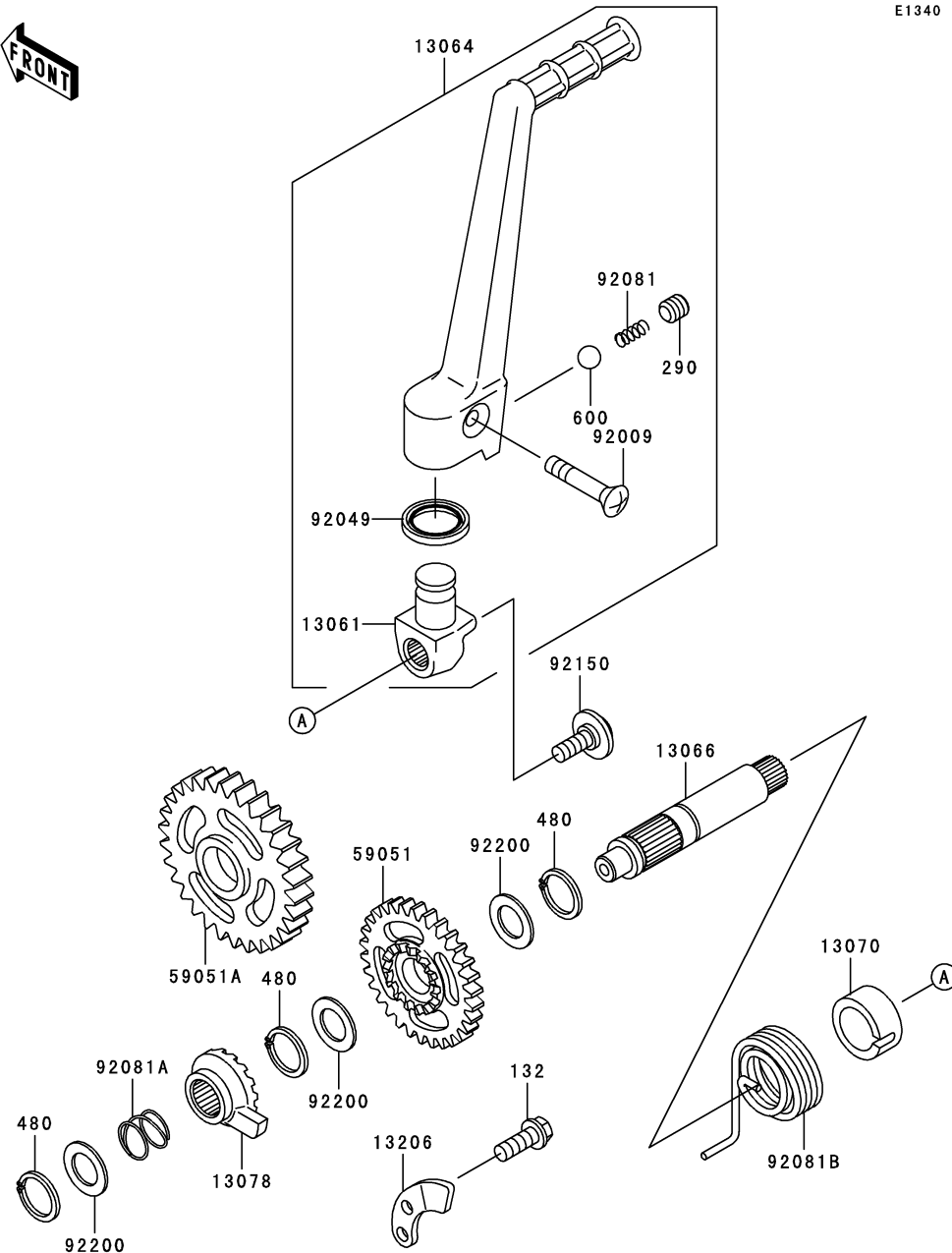
'06~'08 KX125 M6F/M7F/M8F Engine

GRID NO.

B-7

This grid covers:

Kickstarter Mechanism



E1340

Ref. No.	Part No.	Description	Spec Code	Quantity-KX125		
				'06	'07	'08
				M6F	M7F	M8F
13061	13061-1853	BOSS	1	1	1	
13064	13064-0001	LEVER-ASSY-KICK	1	1	1	
13066	13066-1101	SHAFT-KICK	1	1	1	
13070	13070-1007	GUIDE,KICK SPRING	1	1	1	
13078	13078-1052	RATCHET	1	1	1	
13206	13206-1061	GUIDE-KICK	1	1	1	
59051	59051-1405	GEAR-SPUR,KICK 30T	1	1	1	
59051A	59051-1406	GEAR-SPUR,IDLE 31T	1	1	1	
92009	92009-1607	SCREW,6X27	1	1	1	
92049	92049-1387	SEAL-OIL,KICK PEDAL	1	1	1	
92081	92081-020	SPRING,KICK PEDAL	1	1	1	
92081A	92081-122	SPRING,RATCHET	1	1	1	
92081B	92081-1768	SPRING,KICKSTARTER	1	1	1	
92150	92150-1673	BOLT,SOCKET,6X16	1	1	1	
92200	92200-1209	WASHER,KICKSHAFT	3	3	3	
132	132G0616	BOLT-FLANGED-SMALL,6X16	1	1	1	
290	290P0808	SCREW-SET-SOCKET,8X8	1	1	1	
480	480J1600	CIRCLIP-TYPE-C,16MM	3	3	3	
600	600A0800	BALL-STEEL,1/4"	1	1	1	

This catalog covers:

'06~'08 KX125 M6F/M7F/M8F Engine

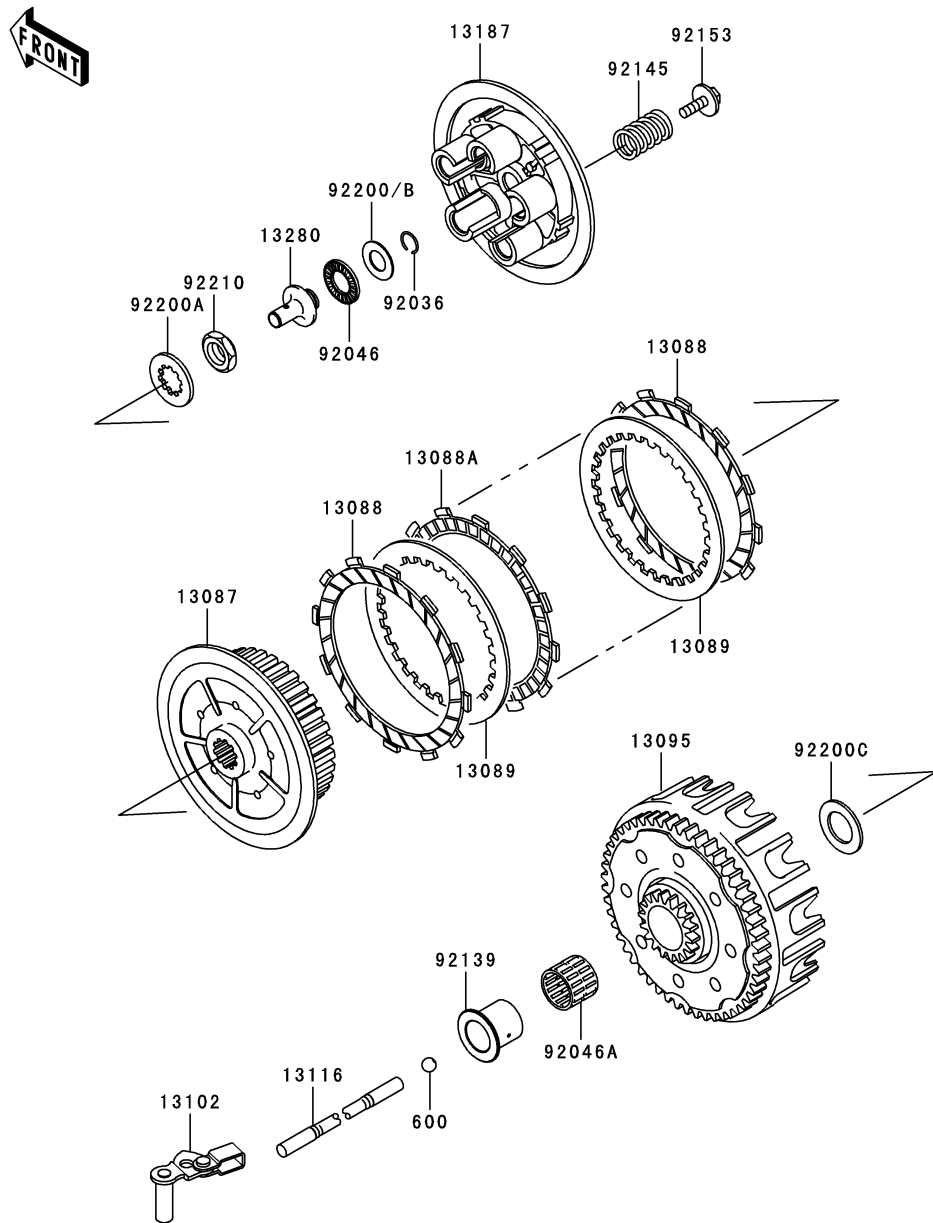
GRID NO.

B-8

This grid covers:

Clutch

E1350



Ref. No.	Part No.	Description	Spec Code	Quantity-KX125		
				'06	'07	'08
				M6F	M7F	M8F
13087	13087-0016	HUB-CLUTCH	1	1	1	
13088	13088-1057	PLATE-FRICTION	2	2	2	
13088A	13088-1102	PLATE-FRICTION	5	5	5	
13089	13089-013	PLATE-CLUTCH,T=1.6	6	6	6	
13095	13095-1412	HOUSING-COMP-CLUTCH	1	1	1	
13102	13102-0003	RELEASE-COMP-CLUTCH	1	1	1	
13116	13116-1171	ROD-PUSH	1	1	1	
13187	13187-1089	PLATE-CLUTCH OPERATING	1	1	1	
13280	13280-1266	HOLDER	1	1	1	
92036	92036-007	RING-SNAP,PISTON PIN	1	1	1	
92046	92046-1190	BEARING-NEEDLE,FNTA-1326	1	1	1	
92046A	92046-1299	BEARING-NEEDLE	1	1	1	
92139	92139-1077	BUSHING	1	1	1	
92145	92145-1487	SPRING	5	5	5	
92153	92153-1123	BOLT,6X25	5	5	5	
92200	92200-0045	WASHER,13.4X25X1.0	AR	AR	AR	
92200A	92200-1178	WASHER	1	1	1	
92200B	92200-1548	WASHER,13.4X25.0X1.5	1	1	1	
92200C	92200-1621	WASHER	1	1	1	
92210	92210-0142	NUT,18MM	1	1	1	
600	600A1000	BALL-STEEL,5/16"	1	1	1	

This catalog covers:

'06~'08 KX125 M6F/M7F/M8F Engine

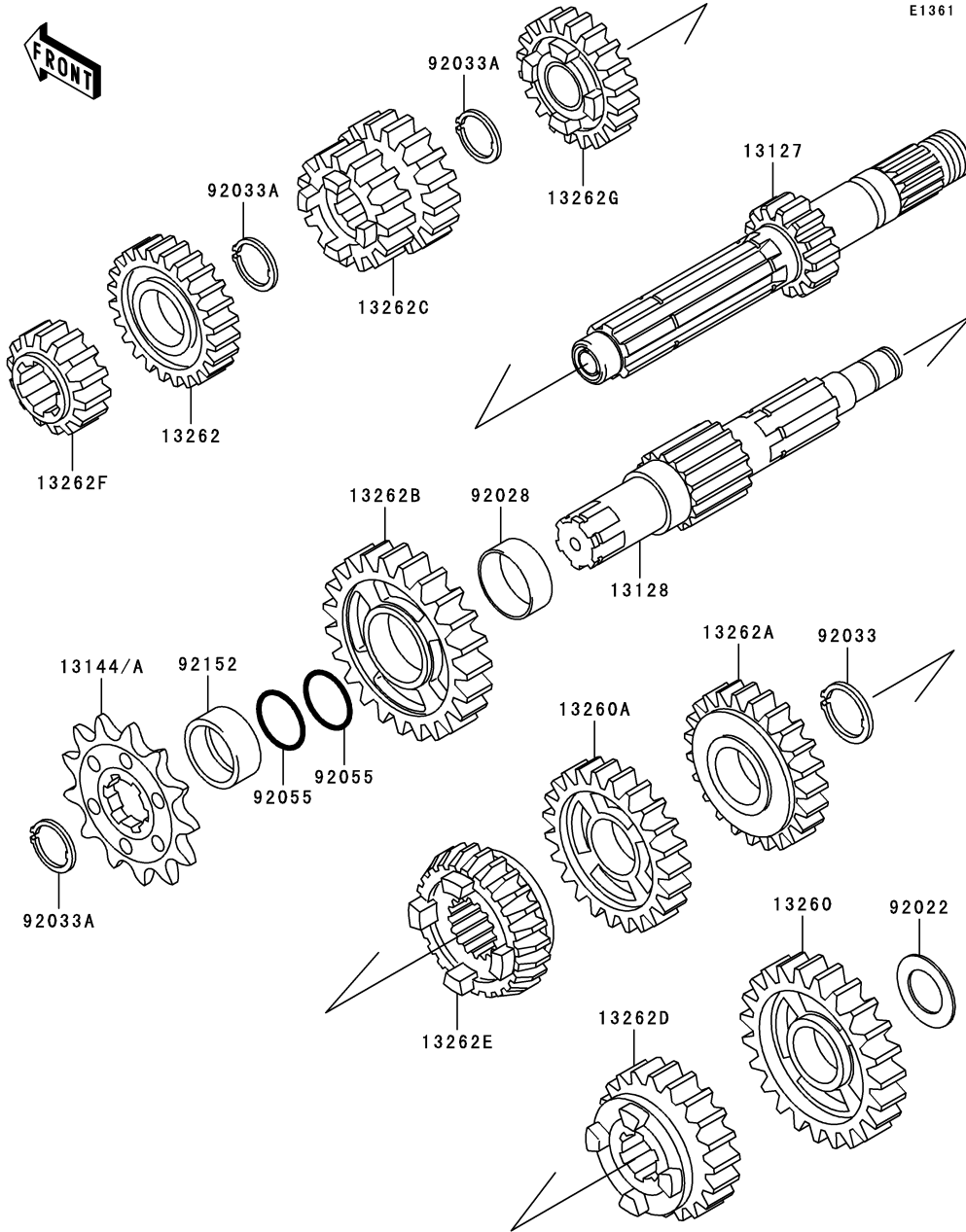
GRID NO.

B-9

This grid covers:

Transmission

E1361



Ref. No.	Part No.	Description	Spec Code	Quantity-KX125		
				'06	'07	'08
				M6F	M7F	M8F
13127	13127-0017	SHAFT-TRANSMISSION INPUT,13T	1	1	1	
13128	13128-1257	SHAFT-TRANSMISSION OUTPUT	1	1	1	
13144	13144-0019	SPROCKET-OUTPUT,12T	1	1	1	
	(OPTION)					
13144A	13144-0020	SPROCKET-OUTPUT,13T	1	1	1	
13260	13260-1752	GEAR,OUTPUT LOW,31T	1	1	1	
13260A	13260-1754	GEAR,OUTPUT 3RD,26T	1	1	1	
13262	13262-0058	GEAR,INPUT TOP,25T	1	1	1	
13262A	13262-0095	GEAR,OUTPUT 4TH,22T	1	1	1	
13262B	13262-0117	GEAR,OUTPUT 2ND,26T	1	1	1	
13262C	13262-0174	GEAR,INPUT 3RD&4TH,17T&17T	1	1	1	
13262D	13262-0175	GEAR,OUTPUT 5TH,27T	1	1	1	
13262E	13262-0176	GEAR,OUTPUT TOP,25T	1	1	1	
13262F	13262-0287	GEAR,INPUT 2ND,14T	1	1	1	
13262G	13262-1055	GEAR,INPUT 5TH,24T	1	1	1	
92022	92022-255	WASHER,17.3X28X1	1	1	1	
92028	92028-1732	BUSHING,OUTPUT,2ND	1	1	1	
92033	92033-1089	RING-SNAP,25MM	1	1	1	
92033A	92033-1231	RING-SNAP,20MM	3	3	3	
92055	92055-055	RING-O,19.5X1.5	2	2	2	
92152	92152-0189	COLLAR	1	1	1	

This catalog covers:

'06~'08 KX125 M6F/M7F/M8F Engine

GRID NO.

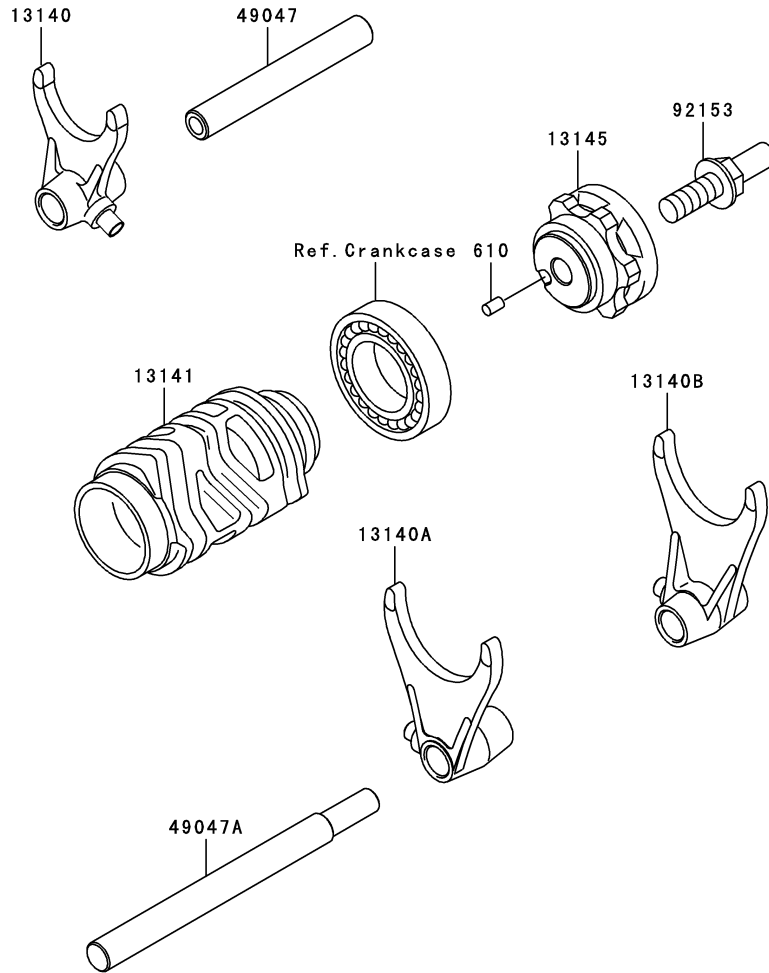
B-10

This grid covers:

Gear Change Drum/Shift Fork(s)

E1362

Ref. No.	Part No.	Description	Spec Code	Quantity-KX125		
				'06	'07	'08
				M6F	M7F	M8F
13140	13140-1309	FORK-SHIFT,5TH&TOP	1	1	1	
13140A	13140-1310	FORK-SHIFT,2ND&3RD	1	1	1	
13140B	13140-1311	FORK-SHIFT,LOW&4TH	1	1	1	
13141	13141-1227	DRUM-CHANGE	1	1	1	
13145	13145-1094	CAM-CHANGE DRUM	1	1	1	
49047	49047-1110	ROD-SHIFT,L=73	1	1	1	
49047A	49047-1111	ROD-SHIFT,L=120	1	1	1	
92153	92153-0530	BOLT,8X20	1	1	1	
610	610A0408	ROLLER,4X8	1	1	1	



This catalog covers:

'06~'08 KX125 M6F/M7F/M8F Engine

GRID NO.

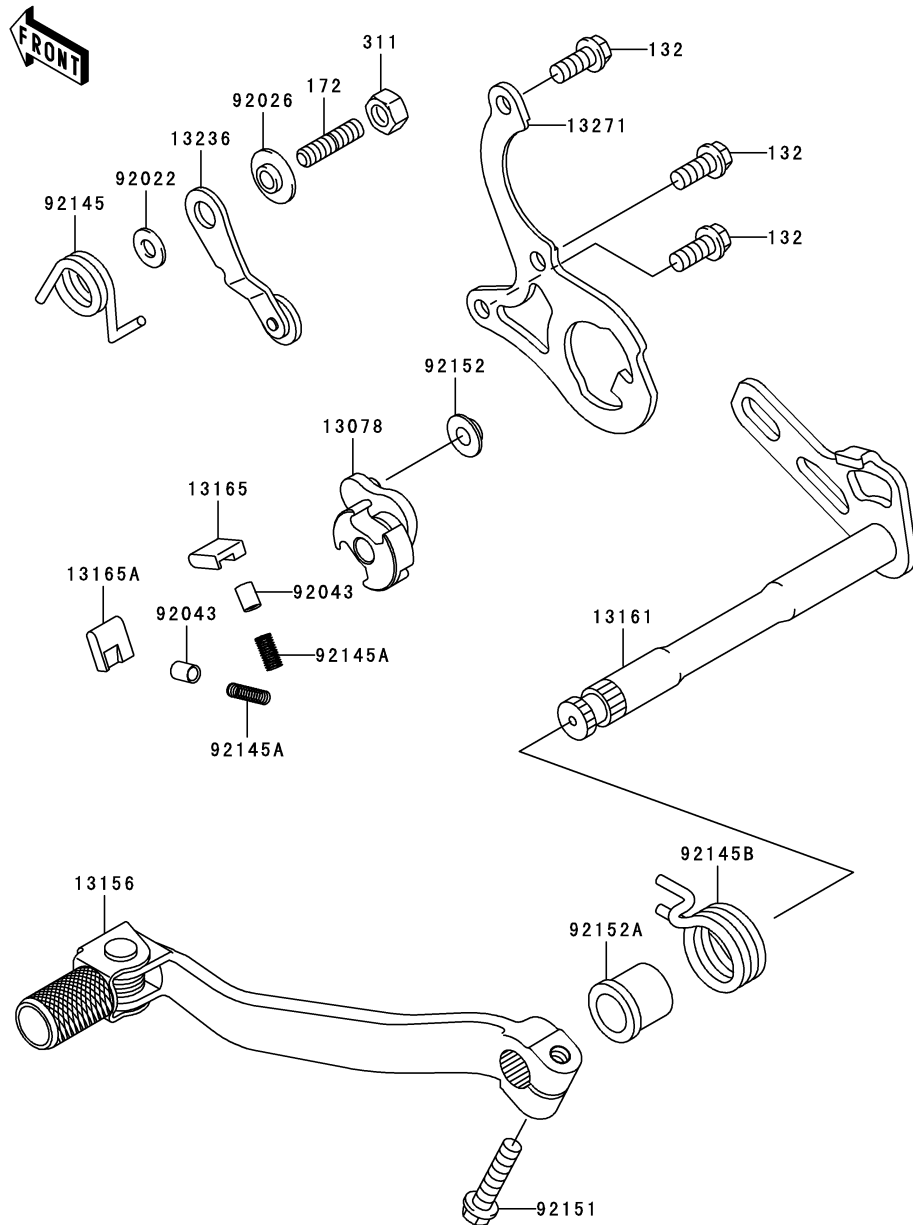
B-11

This grid covers:

Gear Change Mechanism

E1370

Ref. No.	Part No.	Description	Spec Code	Quantity-KX125		
				'06	'07	'08
				M6F	M7F	M8F
13078	13078-1071	RATCHET	1	1	1	
13156	13156-1493	LEVER-CHANGE	1	1	1	
13161	13161-0007	LEVER-COMP-CHANGE SHAFT	1	1	1	
13165	13165-1162	PAWL	1	1	1	
13165A	13165-1163	PAWL	1	1	1	
13236	13236-1393	LEVER-COMP,POSITION	1	1	1	
13271	13271-1824	PLATE,PAWL GUIDE	1	1	1	
92022	92022-1827	WASHER,6X12.8X1.2	1	1	1	
92026	92026-1217	SPACER	1	1	1	
92043	92043-1676	PIN,PLUNGER	2	2	2	
92145	92145-0064	SPRING,POSITION	1	1	1	
92145A	92145-1490	SPRING	2	2	2	
92145B	92145-1493	SPRING,RETURN	1	1	1	
92151	92151-1930	BOLT,FLANGED-SMALL,6X25	1	1	1	
92152	92152-1414	COLLAR	1	1	1	
92152A	92152-1419	COLLAR,RETURN SPRING	1	1	1	
132	132G0614	BOLT-FLANGED-SMALL,6X14	3	3	3	
172	172G0612	BOLT-STUD,6X12	1	1	1	
311	311G0600	NUT-HEX,6MM	1	1	1	



This catalog covers:

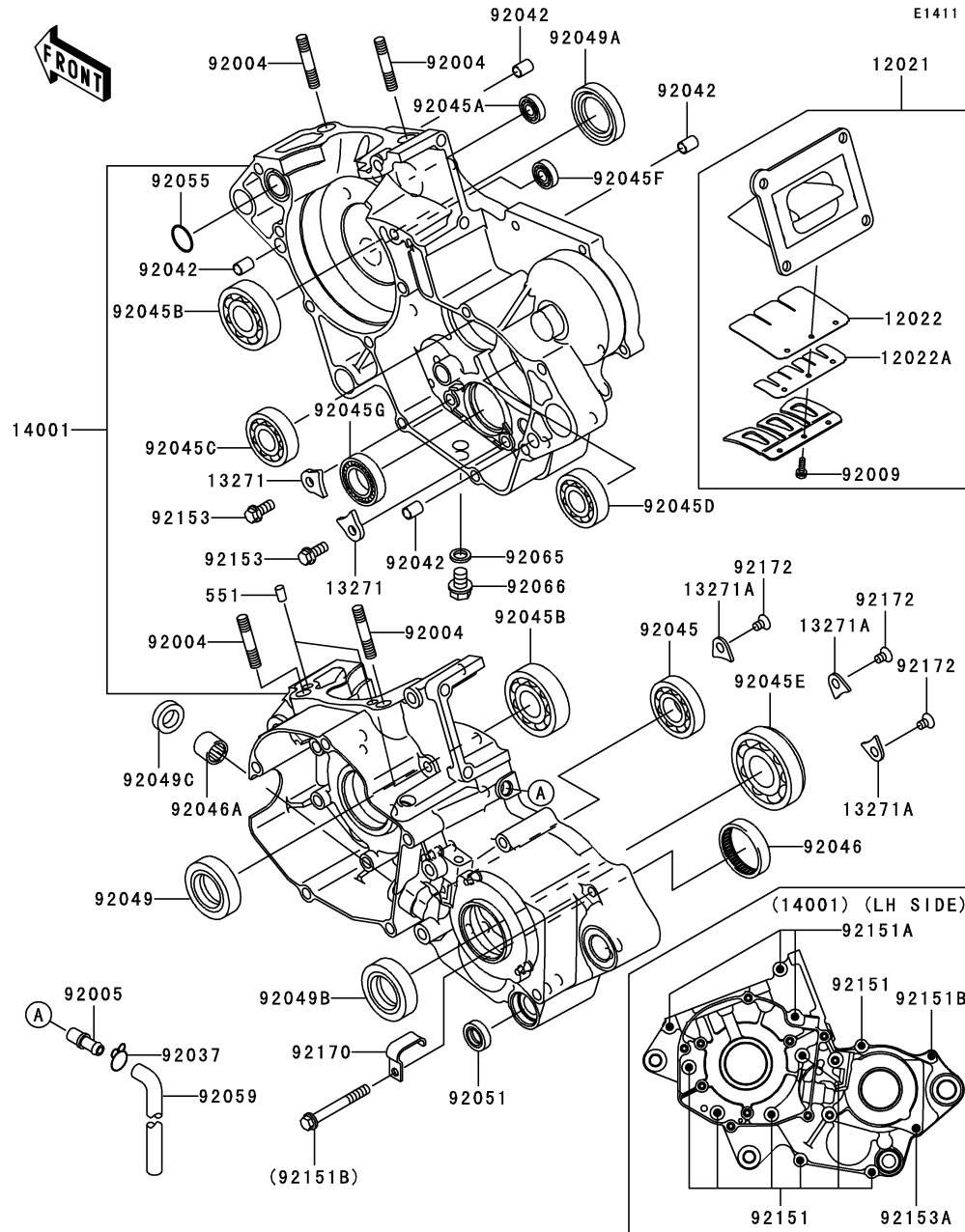
'06~'08 KX125 M6F/M7F/M8F Engine

GRID NO.

B-12

This grid covers:

Crankcase



Ref. No.	Part No.	Description	Spec Code	Quantity-KX125		
				'06	'07	'08
				M6F	M7F	M8F
12021	12021-0012	VALVE-ASSY-REED	1	1	1	
12022	12022-0002	VALVE-REED	2	2	2	
12022A	12022-0003	VALVE-REED	2	2	2	
13271	13271-0197	PLATE	2	2	2	
13271A	13271-0582	PLATE	3	3	3	
14001	14001-0051	SET-CRANKCASE	1	1	1	
92004	92004-1252	STUD,8X28.5	4	4	4	
92005	92005-1127	FITTING,BREATHER	1	1	1	
92009	92009-1014	SCREW,REED VALVE	6	6	6	
92037	92037-1610	CLAMP	1	1	1	
92042	92042-007	PIN,DOWEL,6.3X8X14	4	4	4	
92045	92045-0043	BEARING-BALL	1	1	1	
92045A	92045-1123	BEARING-BALL,#628	1	1	1	
92045B	92045-1209	BEARING-BALL	2	2	2	
92045C	92045-1298	BEARING-BALL,6204X15C	1	1	1	
92045D	92045-1334	BEARING-BALL,SC03A53C3	1	1	1	
92045E	92045-1335	BEARING-BALL,SX04A81C3	1	1	1	
92045F	92045-1345	BEARING-BALL,626BUMC3	1	1	1	
92045G	92045-1432	BEARING-BALL,6805JRZ	1	1	1	
92046	92046-1221	BEARING-NEEDLE,7E-HKS33X38X8	1	1	1	
92046A	92046-1300	BEARING-NEEDLE,HK1015	1	1	1	
92049	92049-1300	SEAL-OIL	1	1	1	
92049A	92049-1301	SEAL-OIL,FWJ2 32 44 9 TS	1	1	1	
92049B	92049-1413	SEAL-OIL	1	1	1	
92049C	92049-1414	SEAL-OIL,BG1408F0	1	1	1	
92051	92051-005	SEAL-OIL,TB13225.5	1	1	1	
92055	92055-086	RING-O,18.8X1.9	1	1	1	
92059	92059-1946	TUBE,6X9X420	1	1	1	
92065	92065-058	GASKET,10.5X16X1	1	1	1	
92066	92066-1437	PLUG,DRAIN	1	1	1	
92151	92151-1131	BOLT,6X40	7	7	7	
92151A	92151-1132	BOLT,6X55	3	3	3	
92151B	92151-1234	BOLT,6X50	1	1	1	
92153	92153-0542	BOLT,6X14	2	2	2	
92153A	92153-0862	BOLT,6X75	1	1	1	
92170	92170-1555	CLAMP	1	1	1	
92172	92172-0086	SCREW,6X8	3	3	3	
551	551A0612	PIN-DOWEL,6X12	2	2	2	

This catalog covers:

'06~'08 KX125 M6F/M7F/M8F Engine

GRID NO.

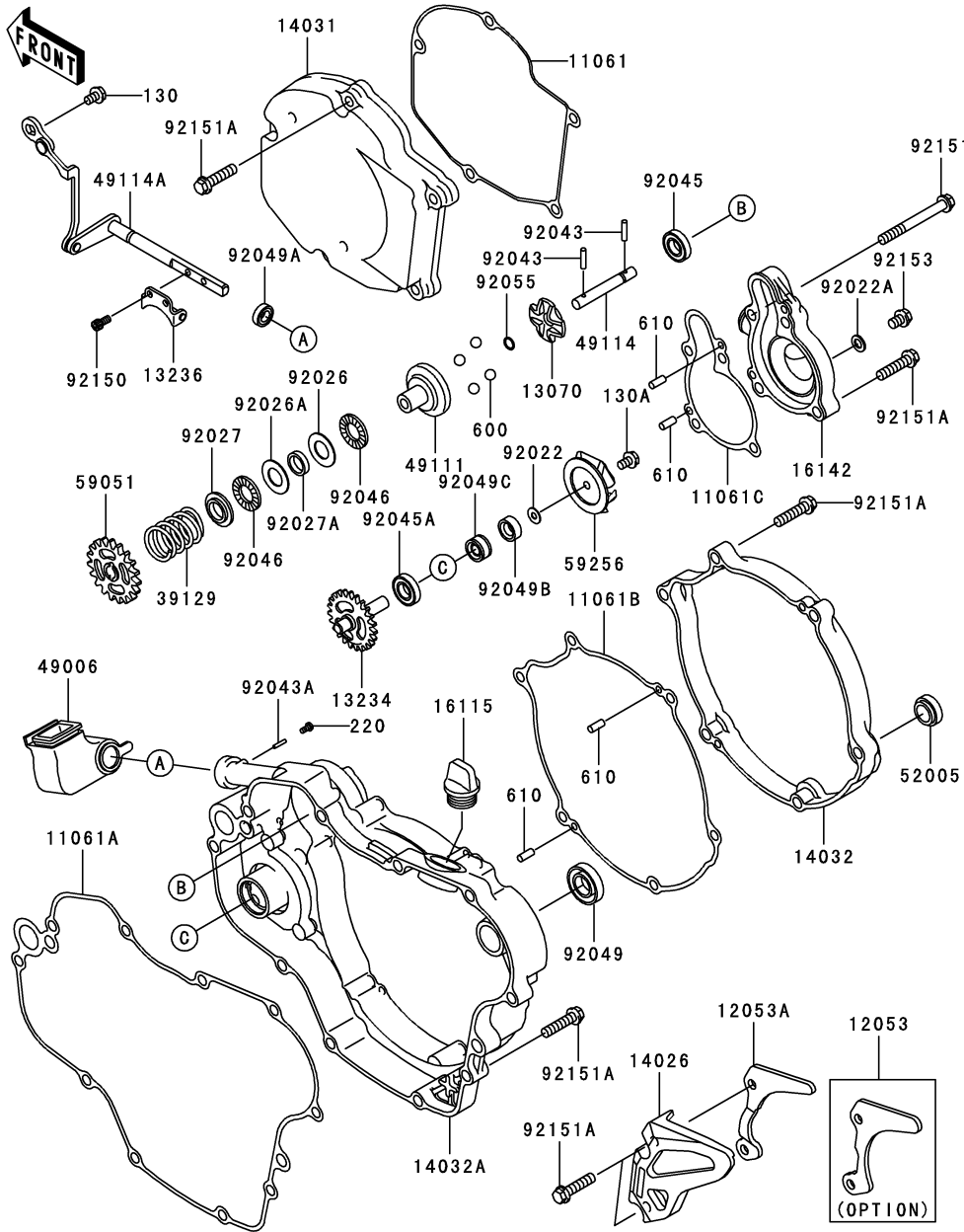
B-13

This grid covers:

Engine Cover(s)(1/2)

E1431

Ref. No.	Part No.	Description	Spec Code	Quantity-KX125		
				'06	'07	'08
				M6F	M7F	M8F
11061	11061-0038	GASKET,GENERATOR COVER	1	1	1	
11061A	11061-1134	GASKET,CLUTCH COVER,INNER	1	1	1	
11061B	11061-1135	GASKET,CLUTCH COVER,OUTER	1	1	1	
11061C	11061-1150	GASKET	1	1	1	
12053	12053-1465 (OPTION)	GUIDE-CHAIN,12T	1	1	1	
12053A	12053-1482	GUIDE-CHAIN,13T	1	1	1	
13070	13070-1122	GUIDE	1	1	1	
13234	13234-1117	SHAFT-COMP	1	1	1	
13236	13236-1266	LEVER-COMP,GOVERNOR	1	1	1	
14026	14026-0013	COVER-CHAIN	1	1	1	
14031	14031-0027	COVER-GENERATOR	1	1	1	
14032	14032-0045	COVER-CLUTCH,OUTER	1	1	1	
14032A	14032-1532	COVER-CLUTCH,IN	1	1	1	
16115	16115-018	CAP-OIL FILLER	1	1	1	
16142	16142-1173	COVER-PUMP	1	1	1	
39129	39129-1035	SPRING-GOVERNOR	1	1	1	
49006	49006-1361	BOOT	1	1	1	
49111	49111-1051	HOLDER-GOVERNOR WEIGHT	1	1	1	
49114	49114-1058	SHAFT-GOVERNOR	1	1	1	
49114A	49114-1104	SHAFT-GOVERNOR	1	1	1	
52005	52005-0019	GAUGE,OIL LEVEL	1	1	1	
59051	59051-1408	GEAR-SPUR	1	1	1	
59256	59256-1065	IMPELLER	1	1	1	
92022	92022-1380	WASHER,5.2X13X1	1	1	1	
92022A	92022-304	WASHER,6.2X11X1	1	1	1	
92026	92026-1238	SPACER,15X28X1	1	1	1	
92026A	92026-1501	SPACER,T=2.0	1	1	1	
92027	92027-1838	COLLAR	1	1	1	
92027A	92027-1839	COLLAR,15.2X17X4	1	1	1	
92043	92043-1256	PIN,3X12.8	2	2	2	
92043A	92043-1293	PIN,2X9.8	1	1	1	
92045	92045-1123	BEARING-BALL,#628	1	1	1	
92045A	92045-1305	BEARING-BALL,608MC3	1	1	1	
92046	92046-1252	BEARING-NEEDLE	2	2	2	
92049	92049-002	SEAL-OIL,SB16244	1	1	1	
92049A	92049-1207	SEAL-OIL,SDO8144	1	1	1	
92049B	92049-1359	SEAL-OIL,MH8X18X3.5-A	1	1	1	
92049C	92049-1366	SEAL-OIL,MHSD8X18X10J-1	1	1	1	
92055	92055-1343	RING-O,5.5X1.5	1	1	1	



This catalog covers:

'06~'08 KX125 M6F/M7F/M8F Engine

GRID NO.

B-14

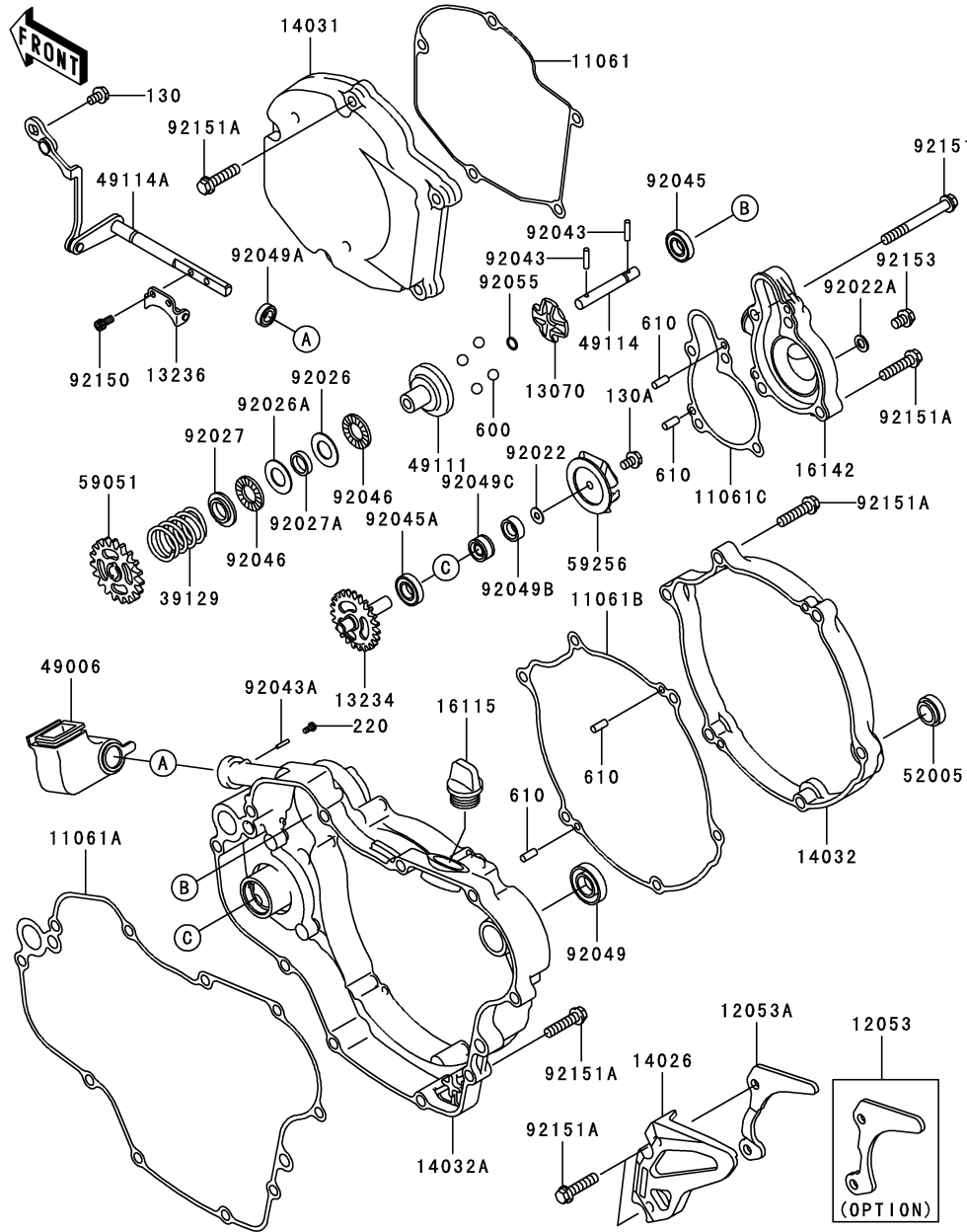
This grid covers:

Engine Cover(s)(2/2)

E1431

Ref. No.	Part No.	Description	Spec Code	Quantity-KX125		
				'06	'07	'08
				M6F	M7F	M8F

92150	92150-1888	BOLT,SOCKET,4X8	2	2	2
92151	92151-1132	BOLT,6X55	1	1	1
92151A	92151-1930	BOLT,FLANGED-SMALL,6X25	25	25	25
92153	92153-0860	BOLT,6X8	1	1	1
130	130L0508	BOLT-FLANGED,5X8	1	1	1
130A	130P0514	BOLT-FLANGED,5X14	1	1	1
220	220B0306	SCREW-PAN-CROS,3X6	1	1	1
600	600A1000	BALL-STEEL,5/16"	4	4	4
610	610A0408	ROLLER,4X8	4	4	4



This catalog covers:

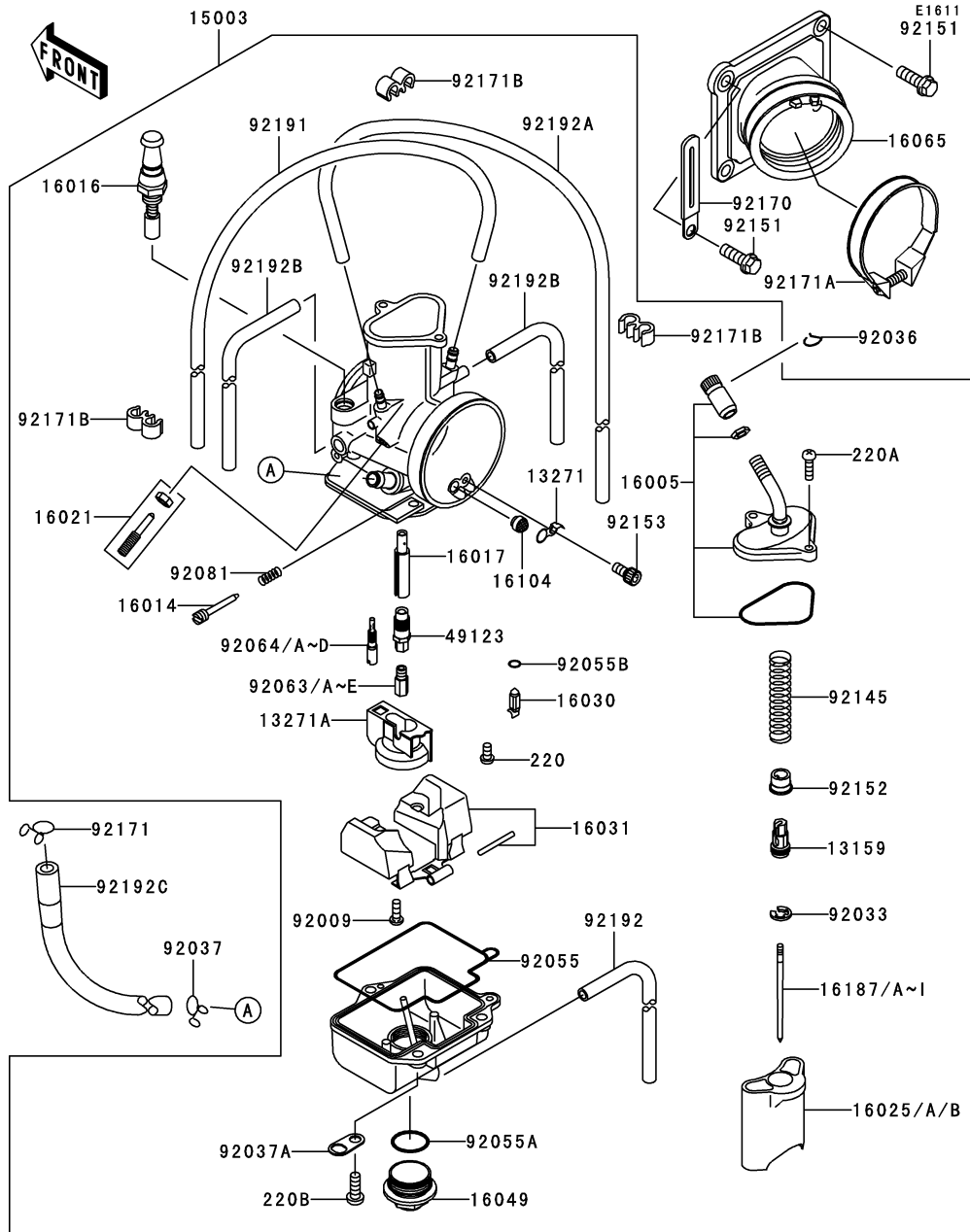
'06~'08 KX125 M6F/M7F/M8F Engine

GRID NO.

C-3

This grid covers:

Carburetor(1/3)



Ref. No.	Part No.	Description	Quantity-KX125			
			'06	'07	'08	
			M6F	M7F	M8F	
13159	13159-1067	CONNECTOR, THROTTLE CABLE	1	1	1	
13271	13271-0020	PLATE	1	1	1	
13271A	13271-0021	PLATE	1	1	1	
15003	15003-0059	CARBURETOR-ASSY	1	1	1	
16005	16005-0002	TOP-CHAMBER	1	1	1	
16014	16014-0008	SCREW-PILOT AIR	1	1	1	
16016	16016-0001	PLUNGER	1	1	1	
16017	16017-0001	JET-NEEDLE, S-9	1	1	1	
16021	16021-1237	SCREW-THROTTLE STOP	1	1	1	
16025	16025-0002	VALVE-THROTTLE, CA5.5 (OPTION)	1	1	1	
16025A	16025-0003	VALVE-THROTTLE, CA 5.75	1	1	1	
16025B	16025-0004	VALVE-THROTTLE, CA6.0 (OPTION)	1	1	1	
16030	16030-1096	VALVE-FLOAT	1	1	1	
16031	16031-0003	FLOAT, ASSY	1	1	1	
16049	16049-0001	COVER-MAIN JET	1	1	1	
16065	16065-0010	HOLDER-CARBURETOR	1	1	1	
16104	16104-0001	FILTER-COMP	1	1	1	
16187	16187-0001	NEEDLE-JET, 6CHJ10-80 (OPTION)	AR	AR	AR	
16187A	16187-0002	NEEDLE-JET, 6CHJ10-81 (OPTION)	AR	AR	AR	
16187B	16187-0003	NEEDLE-JET, 6CHJ10-82	1	1	1	
16187C	16187-0004	NEEDLE-JET, 6CHJ10-83 (OPTION)	AR	AR	AR	
16187D	16187-0005	NEEDLE-JET, 6CHJ10-84 (OPTION)	AR	AR	AR	
16187E	16187-0006	NEEDLE-JET, 6CHJ11-80 (OPTION)	AR	AR	AR	
16187F	16187-0007	NEEDLE-JET, 6CHJ11-81 (OPTION)	AR	AR	AR	
16187G	16187-0008	NEEDLE-JET, 6CHJ11-82 (OPTION)	AR	AR	AR	
16187H	16187-0009	NEEDLE-JET, 6CHJ11-83 (OPTION)	AR	AR	AR	
16187I	16187-0010	NEEDLE-JET, 6CHJ11-84 (OPTION)	AR	AR	AR	
49123	49123-0001	HOLDER-MAIN JET	1	1	1	
92009	92009-1853	SCREW, FLOAT VALVE	1	1	1	
92033	92033-1299	RING-SNAP	1	1	1	

This catalog covers:

'06~'08 KX125 M6F/M7F/M8F Engine

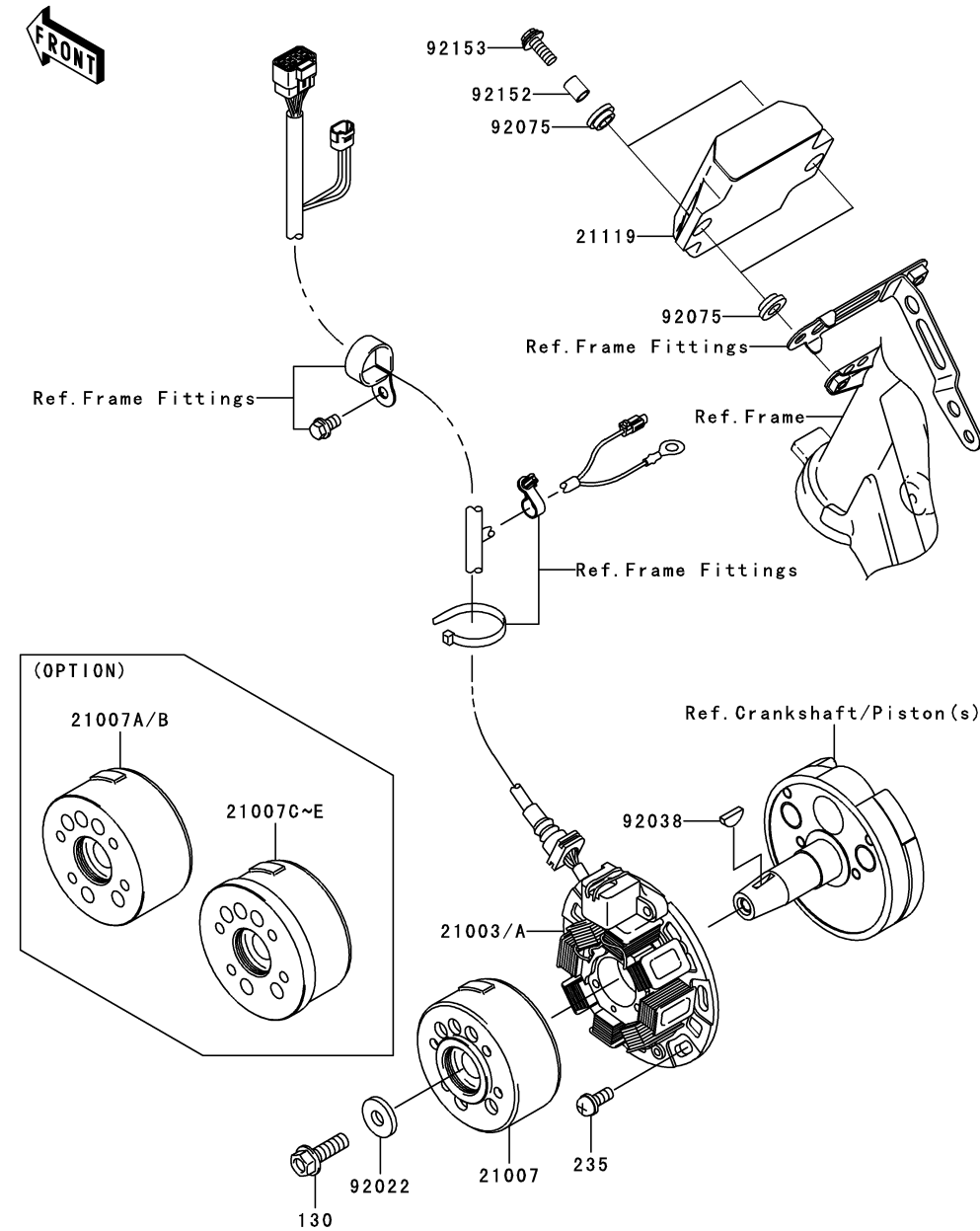
GRID NO.

C-6

This grid covers:

Generator

E1810



Ref. No.	Part No.	Description	Spec Code	Quantity-KX125			
				'06	'07	'08	
				M6F	M7F	M8F	
21003	21003-0033	STATOR		1			
21003A	21003-0056	STATOR			1	1	
21007	21007-0060	ROTOR		1	1	1	
21007A	21007-0061 (OPTION)	ROTOR,I=4.0		1	1	1	
21007B	21007-0062 (OPTION)	ROTOR,I=4.5		1	1	1	
21007C	21007-0063 (OPTION)	ROTOR,I=4.9		1	1	1	
21007D	21007-0064 (OPTION)	ROTOR,I=5.5		1	1	1	
21007E	21007-0065 (OPTION)	ROTOR,I=5.9		1	1	1	
21119	21119-0050	IGNITER		1	1	1	
92022	92022-276	WASHER,8.5X22X3.2		1	1	1	
92038	92038-001	KEY,WOODRUFF		1	1	1	
92075	92075-1138	DAMPER,8MM		4	4	4	
92152	92152-1421	COLLAR,IGNITER		2	2	2	
92153	92153-0626	BOLT,6X20		2	2	2	
130	130P0825	BOLT-FLANGED,8X25		1	1	1	
235	235B0616	SCREW-PAN-WP-CROS,6X16		3	3	3	

This catalog covers:

'06~'08 KX125 M6F/M7F/M8F Engine

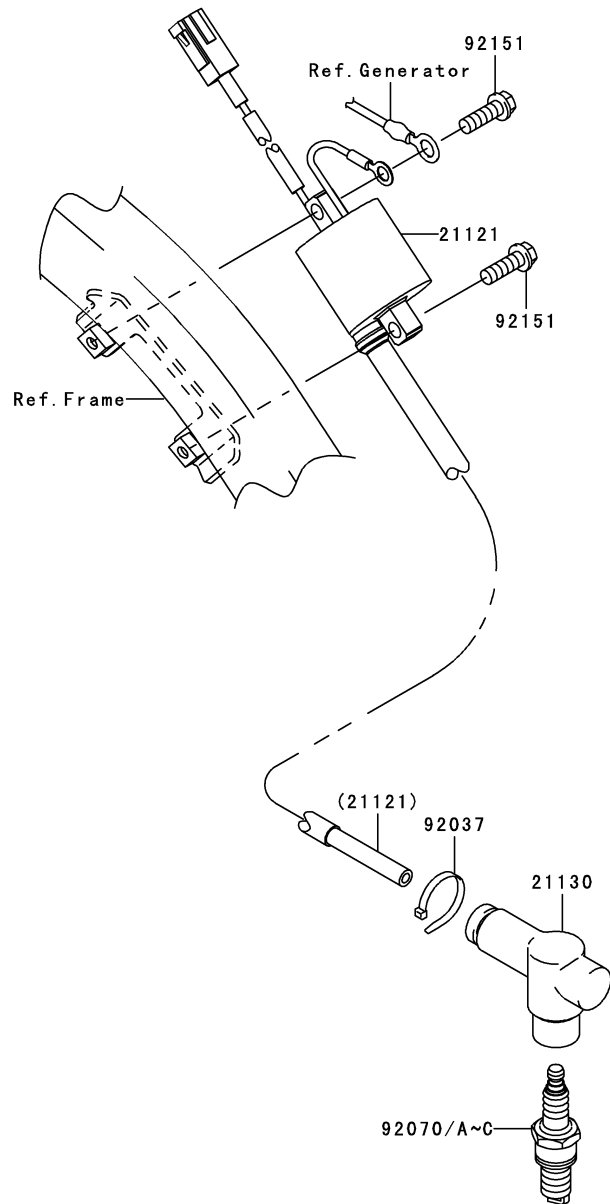
GRID NO.

C-7

This grid covers:

Ignition System

E1830



Ref. No.	Part No.	Description	Spec Code	Quantity-KX125		
				'06	'07	'08
				M6F	M7F	M8F
21121	21121-0015	COIL-IGNITION	1	1	1	
21130	21130-1077	CAP-SPARK PLUG	1	1	1	
92037	92037-1173	CLAMP	1	1	1	
92070	92070-0010	PLUG-SPARK,R6918B-9(NGK)	1	1	1	
92070A	92070-1275 (OPTION)	PLUG-SPARK,R7376-8(NGK)	AR	AR	AR	
92070B	92070-1276 (OPTION)	PLUG-SPARK,R7376-9(NGK)	AR	AR	AR	
92070C	92070-1277 (OPTION)	PLUG-SPARK,R7376-10(NGK)	AR	AR	AR	
92151	92151-1311	BOLT,6X18	2	2	2	

This catalog covers:

'06~'08 KX125 M6F/M7F/M8F Engine

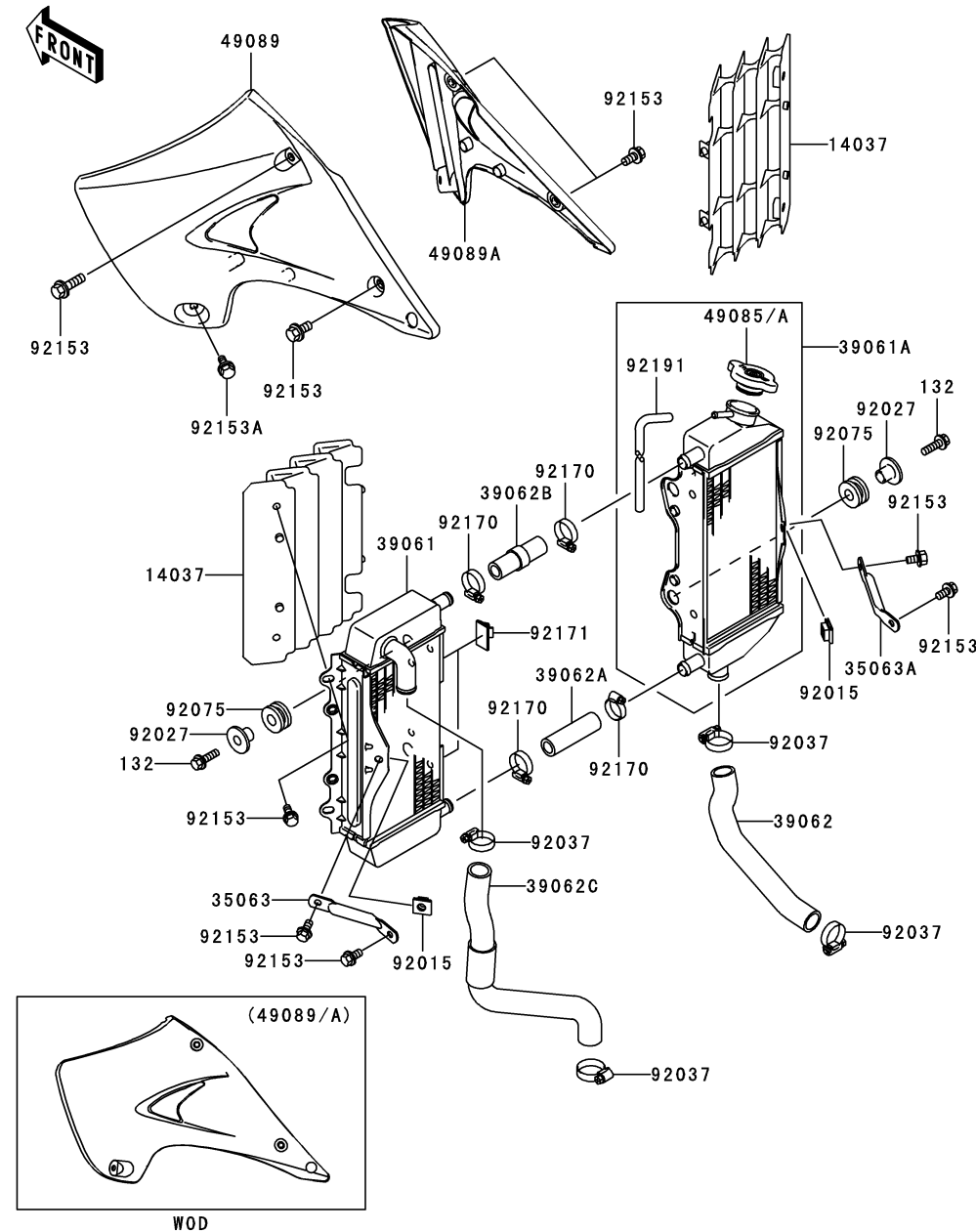
GRID NO.

C-8

This grid covers:

Radiator

E3032



Ref. No.	Part No.	Description	Spec Code	Quantity-KX125		
				'06	'07	'08
				M6F	M7F	M8F
14037	14037-1310-RZ	SCREEN,WHITE	2	2	2	
35063	35063-1226	STAY,LH	1	1	1	
35063A	35063-1227	STAY,RH	1	1	1	
39061	39061-0012	RADIATOR-ASSY,LH	1	1	1	
39061A	39061-0013	RADIATOR-ASSY,RH	1	1	1	
39062	39062-0029	HOSE-COOLING,PUMP-RADIATOR RH	1	1	1	
39062A	39062-0043	HOSE-COOLING,RADIATOR L-R	1	1	1	
39062B	39062-0044	HOSE-COOLING,RADIATOR L-R HIGH	1	1	1	
39062C	39062-1900	HOSE-COOLING,HEAD RADIATOR LH	1	1	1	
49085	49085-1070	CAP-ASSY-PRESSURE,P1.1	1	1	1	
49085A	49085-1073 (OPTION)	CAP-ASSY-PRESSURE,P1.6	1	1	1	
49089	49089-1150-290	SHROUD-ENGINE,LH,L.GREEN	1	1	1	
49089A	49089-1151-290	SHROUD-ENGINE,RH,L.GREEN	1	1	1	
92015	92015-1487	NUT	2	2	2	
92027	92027-194	COLLAR,L=11.1	4	4	4	
92037	92037-1589	CLAMP,COOLING HOSE	4	4	4	
92075	92075-209	DAMPER	4	4	4	
92153	92153-0503	BOLT,6X12	10	10	10	
92153A	92153-0864	BOLT,6X20	2	2	2	
92170	92170-1283	CLAMP	4	4	4	
92171	92171-0012	CLAMP,10	2	2	2	
92191	92191-1211	TUBE,6X9X700	1	1	1	
132	132L0620	BOLT-FLANGED-SMALL,6X20	4	4	4	

This catalog covers:

'06~'08 KX125 M6F/M7F/M8F Chassis

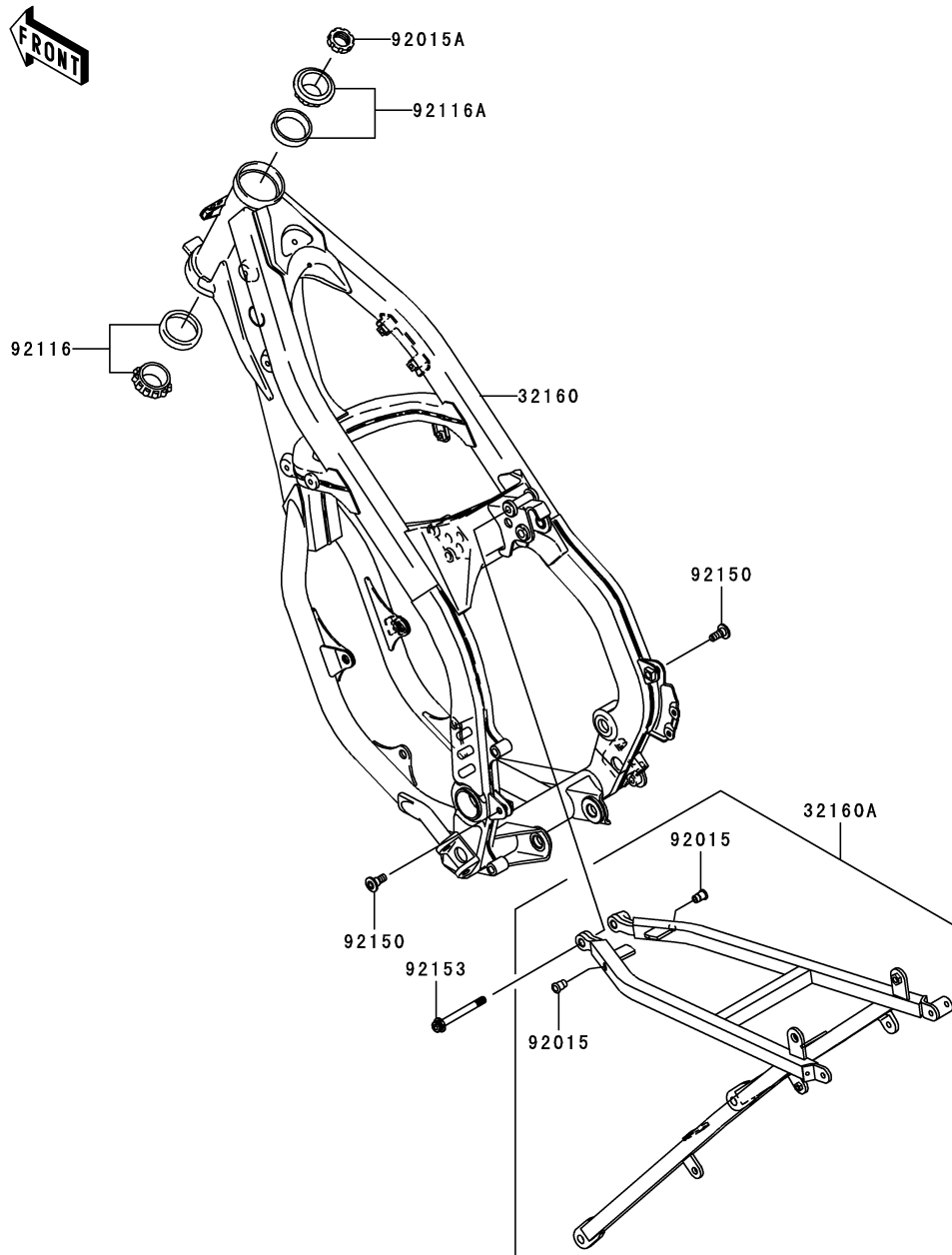
GRID NO.

D-3

This grid covers:

Frame

F2120



Ref. No.	Part No.	Description	Spec Code	Quantity-KX125		
				'06	'07	'08
				M6F	M7F	M8F
32160	32160-0123-458	FRAME-COMP,FR,P.SILVER	1	1	1	
32160A	32160-0164	FRAME-COMP,RR	1	1	1	
92015	92015-1791	NUT,POP,6MM,L=15	2	2	2	
92015A	92015-1861	NUT,STEERING STEM,28MM	1	1	1	
92116	92116-1069	BEARING-ROLLER,HI-CAP32006JRRS	1	1	1	
92116A	92116-1076	BEARING-ROLLER,HI-CAP320/28JRR	1	1	1	
92150	92150-1760	BOLT,SOCKET,8X20	2	2	2	
92153	92153-1790	BOLT,SOCKET,8X74	1	1	1	

This catalog covers:

'06~'08 KX125 M6F/M7F/M8F Chassis

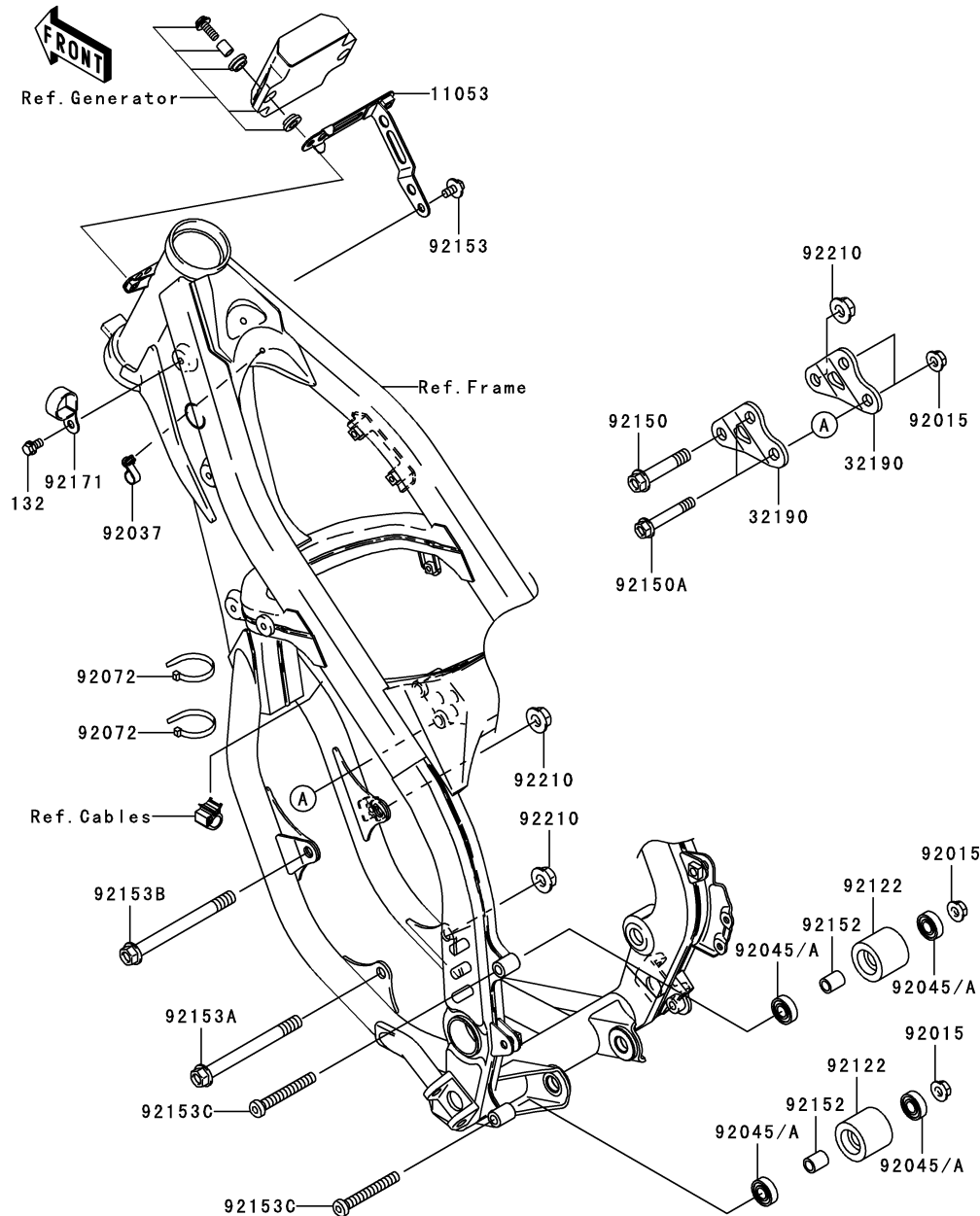
GRID NO.

D-4

This grid covers:

Frame Fittings

F2131



Ref. No.	Part No.	Description	Spec Code	Quantity-KX125			
				'06	'07	'08	
				M6F	M7F	M8F	
11053	11053-0467	BRACKET,IGNITER	1	1	1		
32190	32190-1265	BRACKET-ENGINE	2	2	2		
92015	92015-1432	NUT,8MM	4	4	4		
92037	92037-1290	CLAMP,SPEED,L=43	1	1	1		
92045	92045-0060	BEARING-BALL,608LLU/2A			4		
92045A	92045-1009	BEARING-BALL,608LLU/2A	4	4			
92072	92072-1293	BAND,L=140	2	2	2		
92122	92122-0007	ROLLER,CHAIN GUIDE	2	2	2		
92150	92150-1125	BOLT,FLANGED,10X50	1	1	1		
92150A	92150-1214	BOLT,FLANGED,8X50	2	2	2		
92152	92152-0211	COLLAR,8.5X12.5X15.5	2	2	2		
92153	92153-0503	BOLT,6X12	1	1	1		
92153A	92153-0614	BOLT,FLANGED,10X105	1	1	1		
92153B	92153-0615	BOLT,FLANGED,10X110	1	1	1		
92153C	92153-1259	BOLT,SOCKET,8X60	2	2	2		
92171	92171-1279	CLAMP	1	1	1		
92210	92210-1080	NUT,LOCK,FLANGED,10MM	3	3	3		
132	132L0610	BOLT-FLANGED-SMALL,6X10	1	1	1		

This catalog covers:

'06~'08 KX125 M6F/M7F/M8F Chassis

GRID NO.

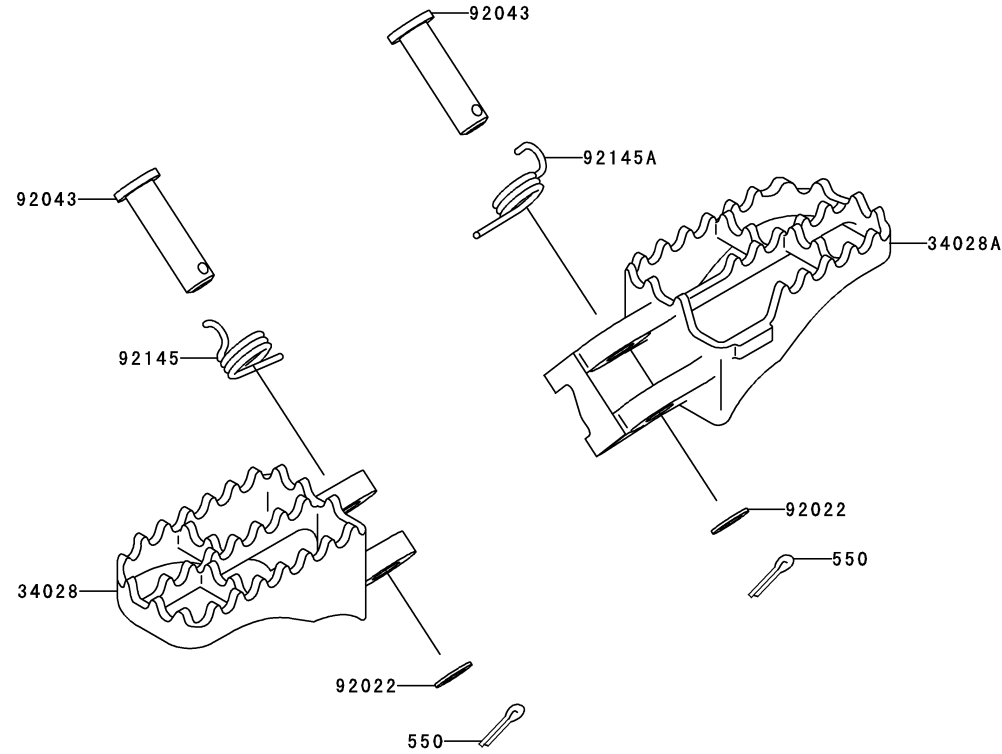
D-7

This grid covers:

Footrests



F2160



Ref. No.	Part No.	Description	Spec Code	Quantity-KX125				
				'06	'07	'08		
				M6F	M7F	M8F		
34028	34028-1533	STEP,LH	1	1	1			
34028A	34028-1534	STEP,RH	1	1	1			
92022	92022-1829	WASHER,10.2X16X1	2	2	2			
92043	92043-0041	PIN,10X49.5	2	2	2			
92145	92145-1466	SPRING,STEP,LH	1	1	1			
92145A	92145-1467	SPRING,STEP,RH	1	1	1			
550	550S3020	PIN-COTTER,3.0X20	2	2	2			

This catalog covers:

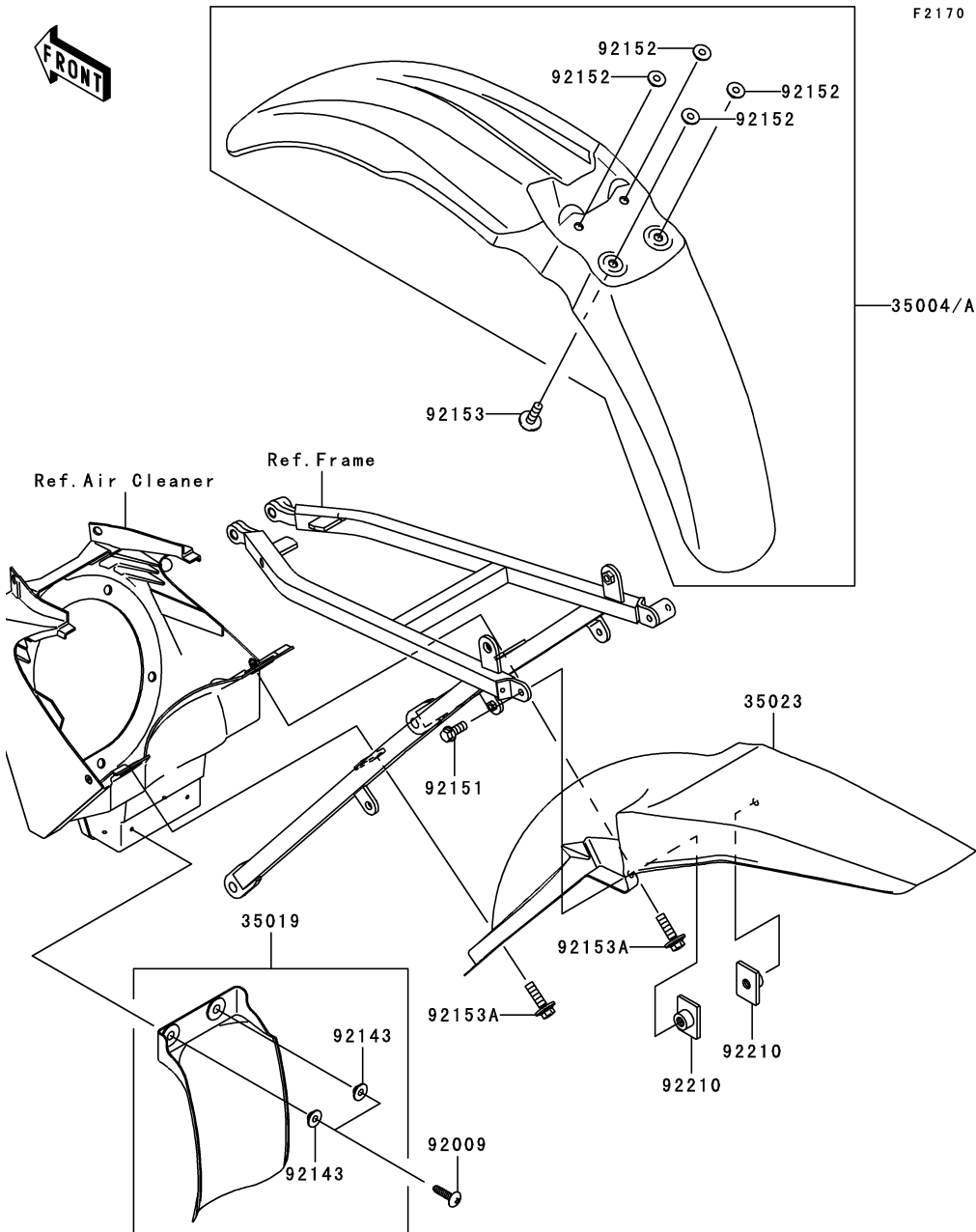
'06~'08 KX125 M6F/M7F/M8F Chassis

GRID NO.

D-8

This grid covers:

Fenders



F2170

Ref. No.	Part No.	Description	Spec Code	Quantity-KX125			
				'06	'07	'08	
				M6F	M7F	M8F	
35004	35004-0050-290	FENDER-FRONT,L.GREEN	1	1			
35004A	35004-0078-290	FENDER-FRONT,L.GREEN			1		
35019	35019-1402-6Z	FLAP,AIR FILTER,F.BLACK	1	1	1		
35023	35023-1587-290	FENDER-REAR,L.GREEN	1	1	1		
92009	92009-1993	SCREW,TAPPING,5X20	2	2	2		
92143	92143-1087	COLLAR	2	2	2		
92151	92151-1423	BOLT,6X14	1	1	1		
92152	92152-1422	COLLAR	4	4	4		
92153	92153-0502	BOLT,6X20	4	4	4		
92153A	92153-0950	BOLT,FLANGED,6X22	2	2	2		
92210	92210-1352	NUT,PLATE,6MM	2	2	2		

This catalog covers:

'06~'08 KX125 M6F/M7F/M8F Chassis

GRID NO.

D-9

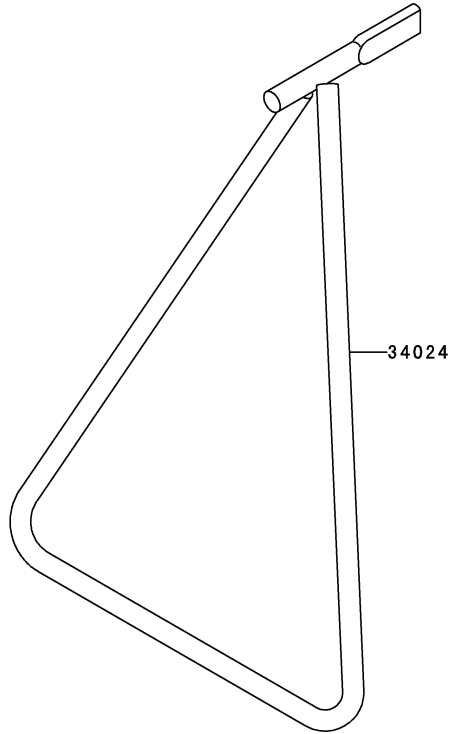
This grid covers:

Stand(s)



F2190

Ref. No.	Part No.	Description	Spec Code	Quantity-KX125		
				'06	'07	'08
34024	34024-1396-458	STAND-SIDE,P.SILVER				
			M6F	M7F	M8F	
			1	1	1	



This catalog covers:

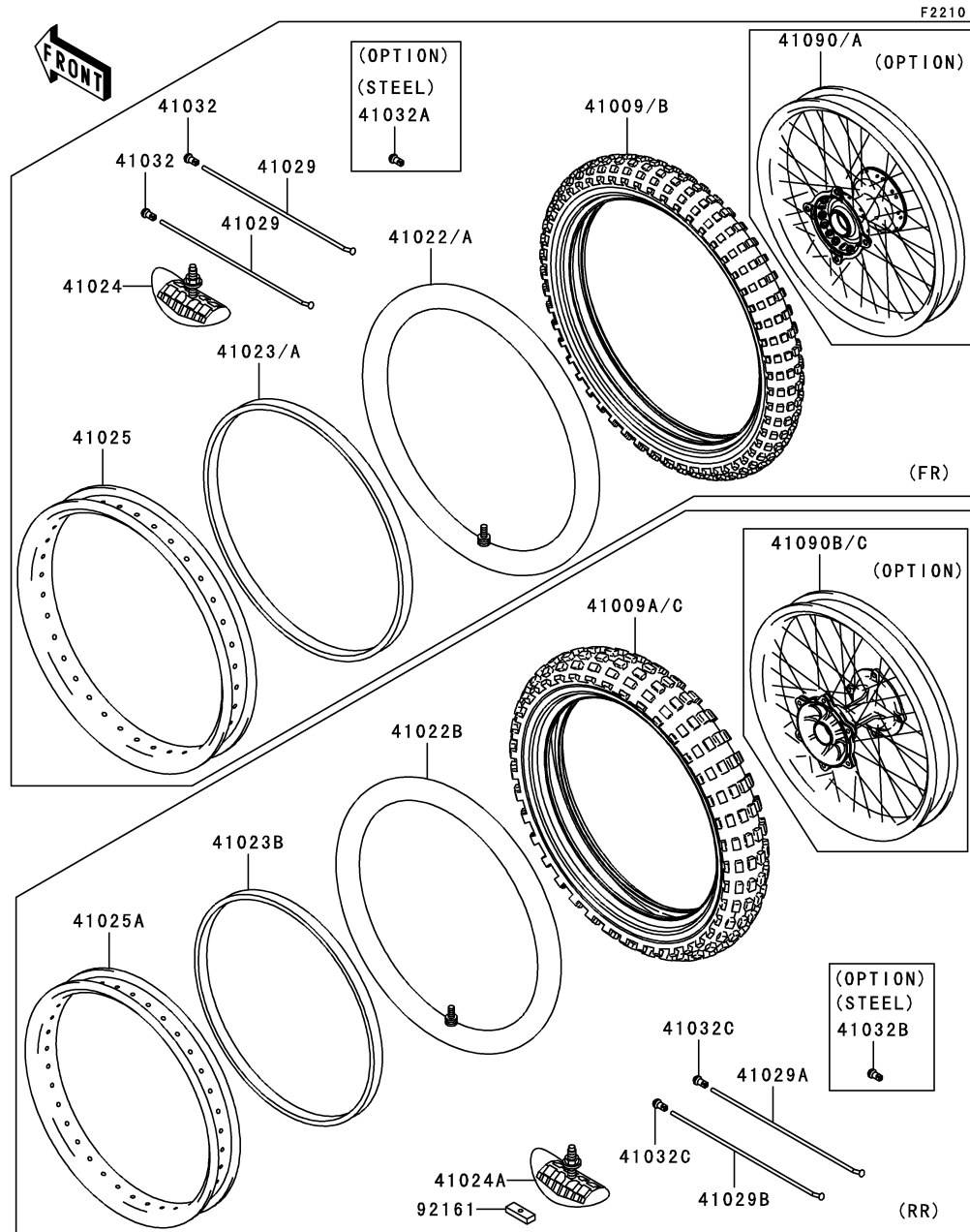
'06~'08 KX125 M6F/M7F/M8F Chassis

GRID NO.

D-10

This grid covers:

Tires



Ref. No.	Part No.	Description	Spec Code	Quantity-KX125			
				'06	'07	'08	
				M6F	M7F	M8F	
41009	41009-0067	TIRE,FR,80/100-21 51M,D742F(D)					
	L-----		AS	1	1	1	
41009A	41009-0068	TIRE,RR,100/90-19 57M,D756(D)					
	L-----		AS	1	1	1	
41009B	41009-1209	TIRE,FR,80/100-21 51M,D755FJ(D)					
	L-----		EU	1	1	1	
41009C	41009-1211	TIRE,RR,100/90-19 57M,D755G(D)					
	L-----		EU	1	1	1	
41022	41022-0022	TUBE-TIRE,90/100-21(D)					
						1	1
41022A	41022-1118	TUBE-TIRE,90/100-21(D)				1	
41022B	41022-1129	TUBE-TIRE,100/90-19(D)				1	1
41023	41023-0009	BAND-RIM,90/100-21(D)				1	1
41023A	41023-1069	BAND-RIM,90/100-21(D)				1	
41023B	41023-1074	BAND-RIM,90.100/90-19(D)				1	1
41024	41024-010	STOPPER-RIM,1.60-M(DUNLOP)				1	1
41024A	41024-011	STOPPER-RIM,1.85-M(DUNLOP)				1	1
41025	41025-0004	RIM,FR,1.60X21				1	1
41025A	41025-1435	RIM,RR,1.85X19				1	1
41029	41029-0003	SPOKE-INNER,FR				36	36
						36	36
41029A	41029-1204	SPOKE-INNER,RR,202MMX160D				27	27
41029B	41029-1330	SPOKE-INNER,RR,204MMX159D				9	9
41032	41032-0002	NIPPLE-SPOKE,ALUMINIUM				36	36
41032A	41032-1077	NIPPLE-SPOKE,8X9X20(+)				36	36
	(OPTION)						
41032B	41032-1085	NIPPLE-SPOKE,STEEL				36	36
	(OPTION)						
41032C	41032-1086	NIPPLE-SPOKE,ALUMINIUM				36	36
41090	41090-0021	WHEEL,FR,1.60X21,ALUM NIPPLE				1	
	(OPTION)						
41090A	41090-0035-10Y	WHEEL,FR,1.60X21,AL NIPPLE,GLD				1	1
	(OPTION)						
41090B	41090-0037-10Y	WHEEL,RR,1.85X19,AL NIPPLE,GLD				1	1
	(OPTION)						
41090C	41090-1151	WHEEL,RR,1.85X19,ALUM NIPPLE				1	
	(OPTION)						
92161	92161-1184	DAMPER,RIM STOPPER				1	1

This catalog covers:

'06~'08 KX125 M6F/M7F/M8F Chassis

GRID NO.

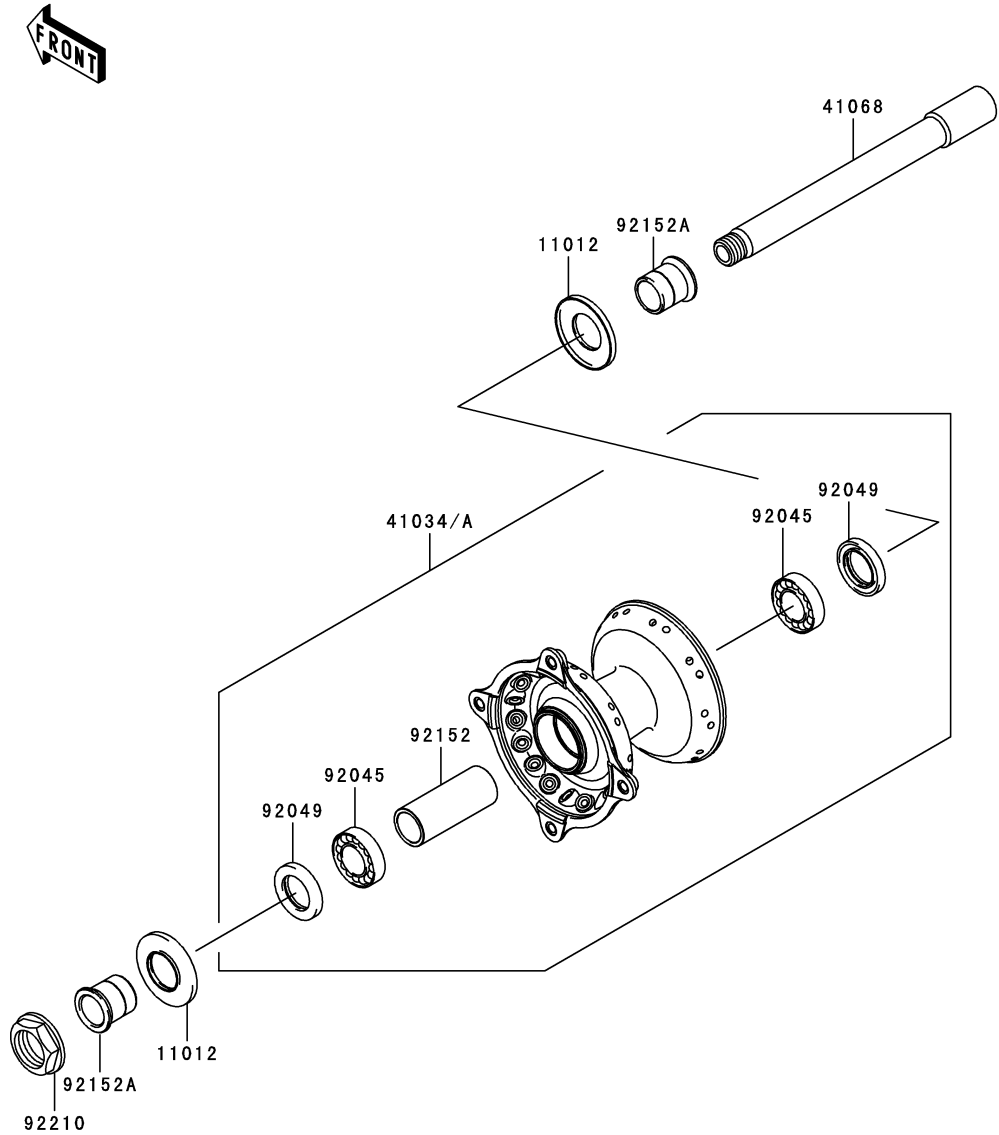
D-11

This grid covers:

Front Hub

F2230

Ref. No.	Part No.	Description	Spec Code	Quantity-KX125		
				'06	'07	'08
				M6F	M7F	M8F
11012	11012-1581	CAP,AXLE	2	2	2	
41034	41034-0034	DRUM-ASSY,FRONT BRAKE	1			
41034A	41034-0037-10Y	DRUM-ASSY,FRONT BRAKE,M.M.GOLD		1	1	
41068	41068-0004	AXLE,FR	1	1	1	
92045	92045-1284	BEARING-BALL,69042RS	2	2	2	
92049	92049-1403	SEAL-OIL,BJNC-2 25X37X5	2	2	2	
92152	92152-0028	COLLAR,FRONT BRAKE DRUM,L=65	1	1	1	
92152A	92152-0324	COLLAR,FR AXLE,L=27.5	2	2	2	
92210	92210-0065	NUT,18MM	1	1	1	



This catalog covers:

'06~'08 KX125 M6F/M7F/M8F Chassis

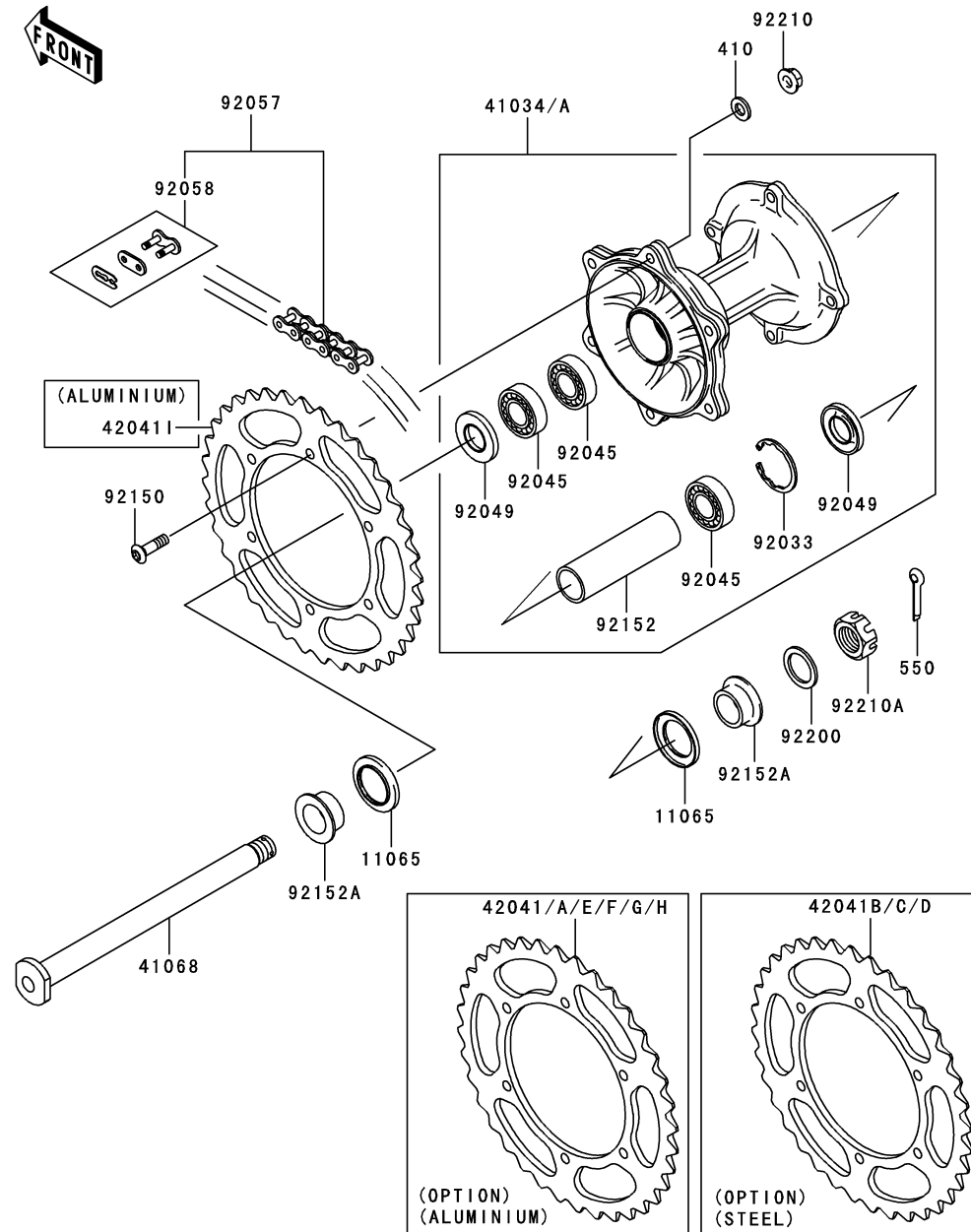
GRID NO.

D-12

This grid covers:

Rear Hub

F2240



Ref. No.	Part No.	Description	Spec Code	Quantity-KX125			
				'06	'07	'08	
				M6F	M7F	M8F	
11065	11065-1253	CAP,AXLE	2	2	2		
41034	41034-0004	DRUM-ASSY,REAR BRAKE	1				
41034A	41034-0038-10Y	DRUM-ASSY,REAR BRAKE,M.M.GOLD		1	1		
41068	41068-1466	AXLE,RR	1	1	1		
42041	42041-0001	SPROCKET-HUB,52T,AL	1	1	1		
	(OPTION)						
42041A	42041-0002	SPROCKET-HUB,53T,AL	1	1	1		
	(OPTION)						
42041B	42041-1408	SPROCKET-HUB,50T	1	1	1		
	(OPTION)						
42041C	42041-1428	SPROCKET-HUB,51T	1	1	1		
	(OPTION)						
42041D	42041-1429	SPROCKET-HUB,52T	1	1	1		
	(OPTION)						
42041E	42041-1447	SPROCKET-HUB,47T,AL	1	1	1		
	(OPTION)						
42041F	42041-1448	SPROCKET-HUB,48T,AL	1	1	1		
	(OPTION)						
42041G	42041-1449	SPROCKET-HUB,49T,AL	1	1	1		
	(OPTION)						
42041H	42041-1450	SPROCKET-HUB,50T,AL	1	1	1		
	(OPTION)						
42041I	42041-1451	SPROCKET-HUB,51T,AL	1	1	1		
92033	92033-1041	RING-SNAP,42MM	1	1	1		
92045	92045-1446	BEARING-BALL,69052RS	3	3	3		
92049	92049-1614	SEAL-OIL	2	2	2		
92057	92057-1541	CHAIN,DRIVE,DID520DMA2SDHX114L	1	1	1		
92058	92058-1074	JOINT-CHAIN,DRIVE	1	1	1		
92150	92150-1978	BOLT,SOCKET,8X28	6	6	6		
92152	92152-1427	COLLAR,REAR BRAKE DRUM,L=106.5	1	1	1		
92152A	92152-1473	COLLAR,RR AXLE,L=17	2	2	2		
92200	92200-1623	WASHER,22.5X35X2.3	1	1	1		
92210	92210-0159	NUT,FLANGED,LOCK,8MM	6	6	6		
92210A	92210-1411	NUT,CASTLE,22MM	1	1	1		
410	410B0800	WASHER-PLAIN-SMALL,8MM	6	6	6		
550	550D3035	PIN-COTTER,3.0X35	1	1	1		

This catalog covers:

'06~'08 KX125 M6F/M7F/M8F Chassis

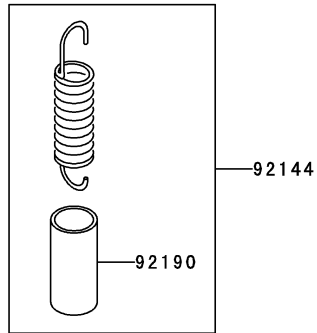
GRID NO.

D-13

This grid covers:

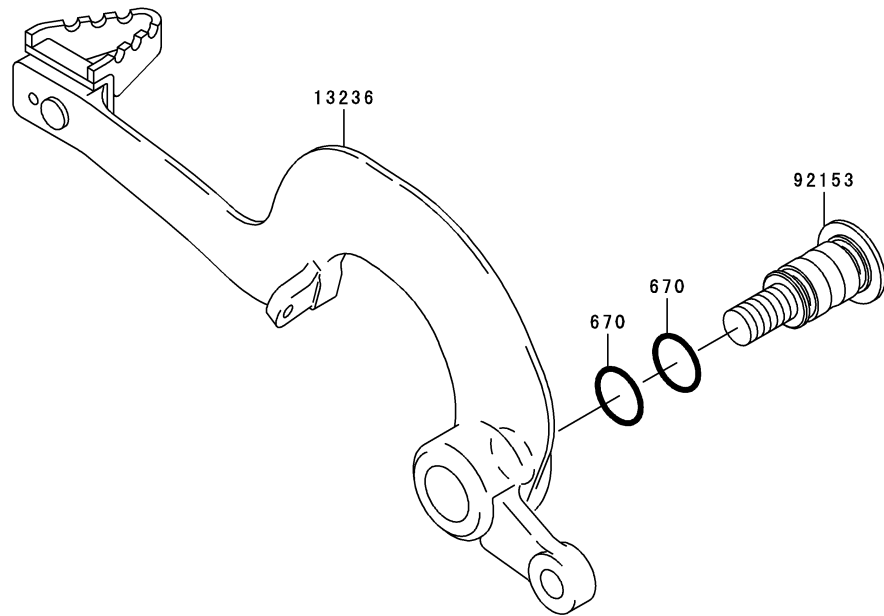
Brake Pedal

F2260



Ref. No.	Part No.	Description	Spec Code	Quantity-KX125			
				'06	'07	'08	
				M6F	M7F	M8F	

13236	13236-0021	LEVER-COMP,BRAKE PEDAL		1	1	1	
92144	92144-1752	SPRING,BRAKE PEDAL RETURN		1	1	1	
92153	92153-0974	BOLT,BRAKE PEDAL,10MM		1	1	1	
92190	92190-1488	TUBE,13X16X25		1	1	1	
670	670B2012	O RING,12MM		2	2	2	



This catalog covers:

'06~'08 KX125 M6F/M7F/M8F Chassis

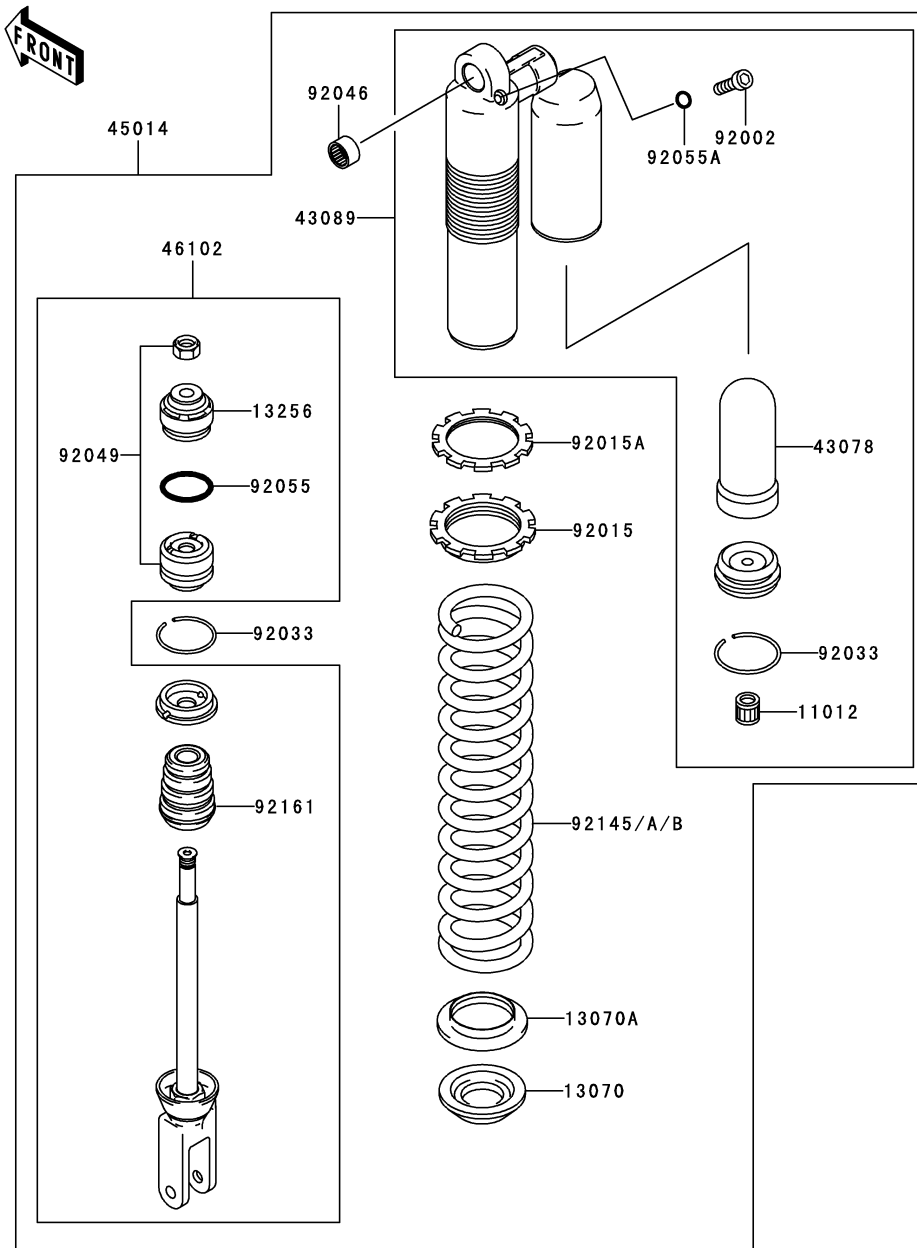
GRID NO.

D-14

This grid covers:

Shock Absorber(s)

F2280



Ref. No.	Part No.	Description	Spec Code	Quantity-KX125		
				'06	'07	'08
				M6F	M7F	M8F
11012	11012-1552	CAP,AIR VALVE	1	1	1	
13070	13070-0029	GUIDE,SPRING	1	1	1	
13070A	13070-1362	GUIDE,SPRING	1	1	1	
13256	13256-0002	PISTON,SHOCKABSORBER	1	1	1	
43078	43078-1125	RESERVOIR,SHOCKABSORBER	1	1	1	
43089	43089-0009-829	CYLINDER-SHOCKABSORBER,GOLD	1	1	1	
45014	45014-5016	SHOCKABSORBER	1	1	1	
46102	46102-0009	ROD,SHOCKABSORBER	1	1	1	
92002	92002-1955	BOLT,DRAIN	1	1	1	
92015	92015-1703	NUT,SPRING ADJUST	1	1	1	
92015A	92015-1704	NUT,SPRING ADJUST LOCK	1	1	1	
92033	92033-1209	RING-SNAP	2	2	2	
92046	92046-1301	BEARING-NEEDLE,7E-HVS16X22X12	1	1	1	
92049	92049-0039	SEAL-OIL	1	1	1	
92055	92055-1346	RING-O,ROD	1	1	1	
92055A	92055-1383	RING-O	1	1	1	
92145	92145-0013-8V (OPTION)	SPRING,SHOCK,K=46.0N/MM,SIL	1	1	1	
92145A	92145-0014-8V	SPRING,SHOCK,K=48.0N/MM,SIL	1	1	1	
92145B	92145-0015-8V (OPTION)	SPRING,SHOCK,K=50.0N/MM,SIL	1	1	1	
92161	92161-1172	DAMPER,SHOCKABSORBER	1	1	1	

This catalog covers:

'06~'08 KX125 M6F/M7F/M8F Chassis

GRID NO.

E-3

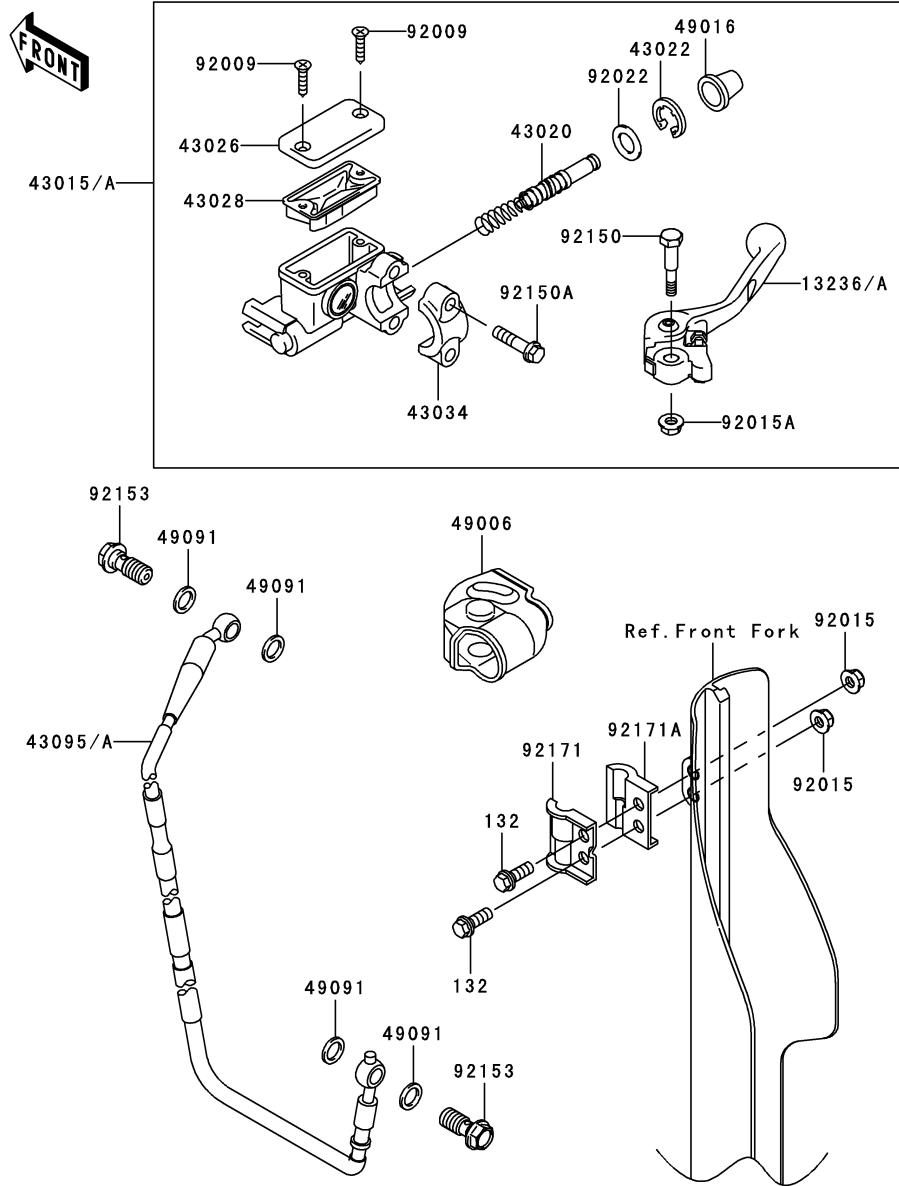
This grid covers:

Front Master Cylinder

F2291

Ref. No.	Part No.	Description	Spec Code	Quantity-KX125			
				'06	'07	'08	
				M6F	M7F	M8F	

13236	13236-0070	LEVER-COMP,FRONT BRAKE		1	1		
13236A	13236-1346	LEVER-COMP,FRONT BRAKE				1	
43015	43015-0041	CYLINDER-ASSY-MASTER,FR		1	1		
43015A	43015-1674	CYLINDER-ASSY-MASTER,FR					1
43020	43020-1123	PISTON-COMP-BRAKE		1	1	1	
43022	43022-1010	STOPPER-BRAKE,PISTON		1	1	1	
43026	43026-1075	CAP-BRAKE		1	1	1	
43028	43028-1067	DIAPHRAGM		1	1	1	
43034	43034-1110	HOLDER-BRAKE		1	1	1	
43095	43095-0060	HOSE-BRAKE,FR		1			
43095A	43095-0286	HOSE-BRAKE,FR				1	1
49006	49006-1344	BOOT,FRONT BRAKE LEVER		1	1	1	
49016	49016-1044	COVER-SEAL,MASTER CYLINDER		1	1	1	
49091	49091-0001	WASHER-SEAL,10.1X14.5X1.5		4	4	4	
92009	92009-1458	SCREW,4MM		2	2	2	
92015	92015-1339	NUT,LOCK,FLANGED,6MM		2	2	2	
92015A	92015-1528	NUT,FLANGED,6MM		1	1	1	
92022	92022-1814	WASHER		1	1	1	
92150	92150-1451	BOLT,LEVER SET		1	1	1	
92150A	92150-1452	BOLT		2	2	2	
92153	92153-0627	BOLT,OIL,L=23		2	2	2	
92171	92171-0235	CLAMP,BRAKE HOSE,OUTSIDE		1	1	1	
92171A	92171-0291	CLAMP,BRAKE HOSE,INSIDE		1	1	1	
132	132L0616	BOLT-FLANGED-SMALL,6X16		2	2	2	



This catalog covers:

'06~'08 KX125 M6F/M7F/M8F Chassis

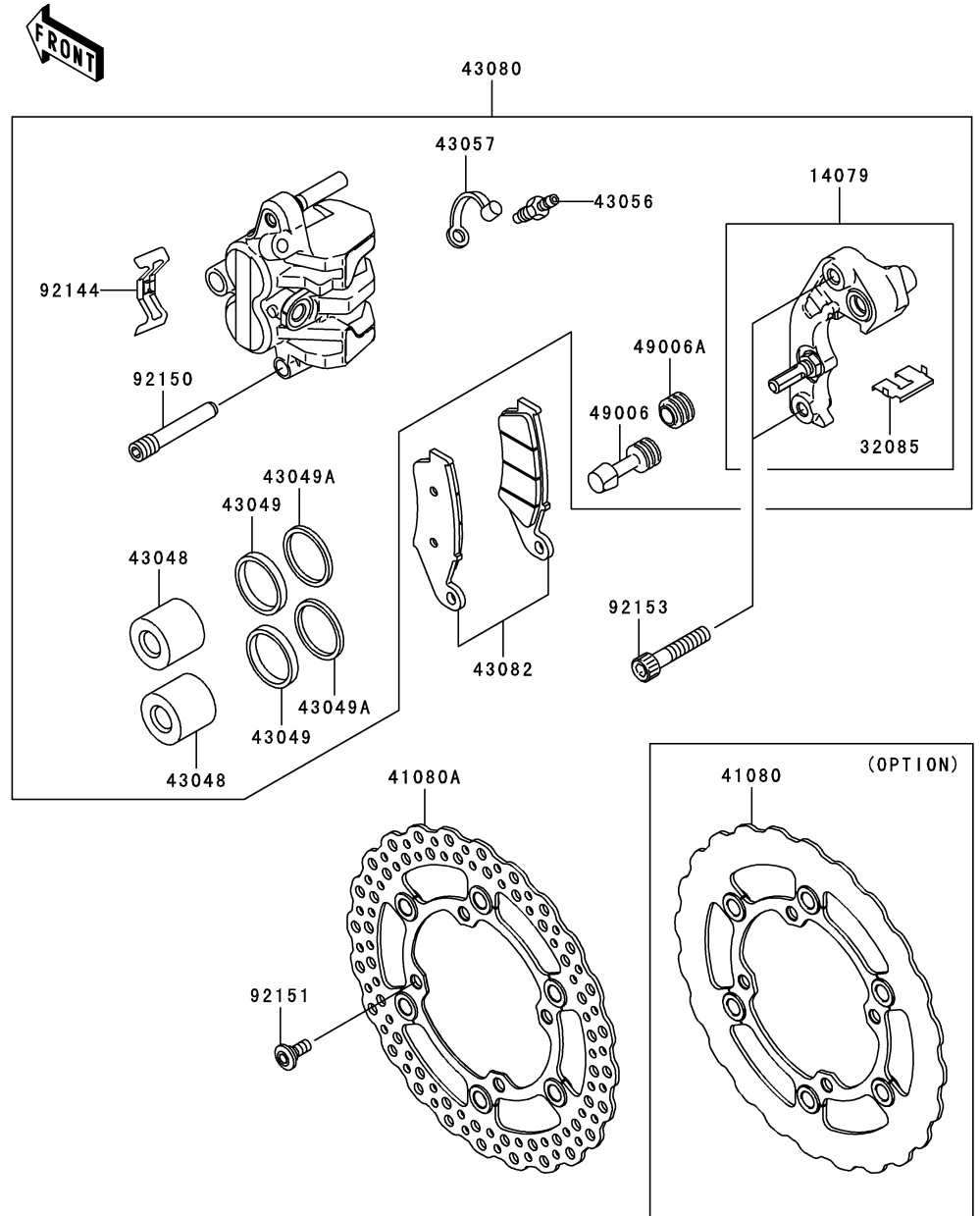
GRID NO.

E-4

This grid covers:

Front Brake

F2292



Ref. No.	Part No.	Description	Spec Code	Quantity-KX125		
				'06	'07	'08
				M6F	M7F	M8F
14079	14079-1097	HOLDER-ASSY,FRONT CALIPER	1	1	1	
32085	32085-1361	STOPPER,PAD	1	1	1	
41080	41080-0082	DISC,FR	1	1	1	
		(OPTION)				
41080A	41080-0090	DISC,FR	1	1	1	
43048	43048-1095	PISTON-CALIPER	2	2	2	
43049	43049-1060	PACKING,PISTON SEAL	2	2	2	
43049A	43049-1061	PACKING,PISTON SEAL	2	2	2	
43056	43056-1055	BREATHER	1	1	1	
43057	43057-1001	CAP-BREATHER	1	1	1	
43080	43080-0006	CALIPER-SUB-ASSY,FR,LH	1	1	1	
43082	43082-0026	PAD-ASSY-BRAKE	1	1	1	
49006	49006-1088	BOOT,CALIPER	1	1	1	
49006A	49006-1242	BOOT,CALIPER	1	1	1	
92144	92144-1721	SPRING,PAD	1	1	1	
92150	92150-1691	BOLT,HANGER	1	1	1	
92151	92151-1799	BOLT,DISC PLATE,6MM	4	4	4	
92153	92153-0517	BOLT,SOCKET,8X40	2	2	2	

This catalog covers:

'06~'08 KX125 M6F/M7F/M8F Chassis

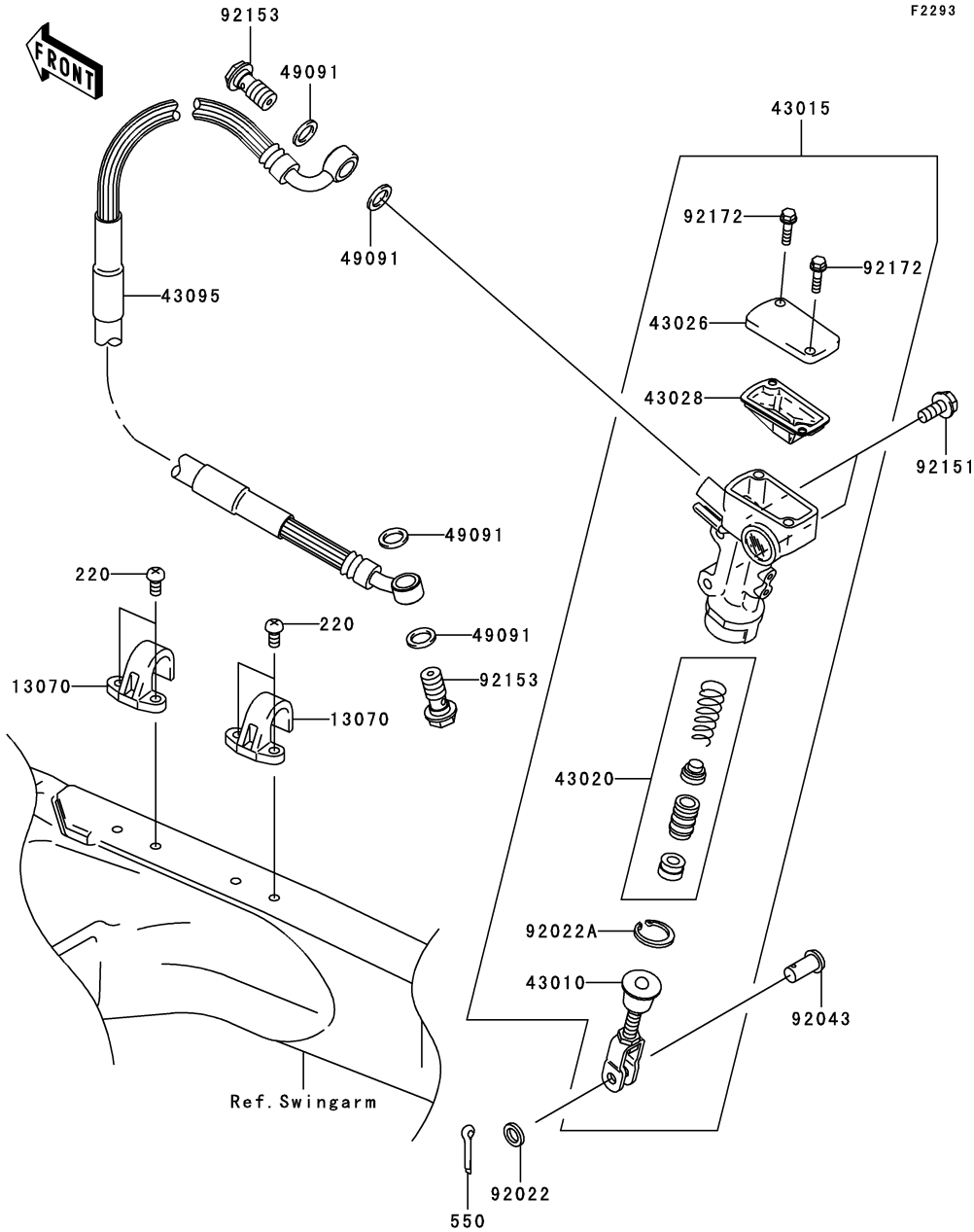
GRID NO.

E-5

This grid covers:

Rear Master Cylinder

F2293



Ref. No.	Part No.	Description	Spec Code	Quantity-KX125			
				'06	'07	'08	
				M6F	M7F	M8F	
13070	13070-0048	GUIDE,BRAKE HOSE	2	2	2		
43010	43010-0003	ROD-ASSY-BRAKE	1	1	1		
43015	43015-0009	CYLINDER-ASSY-MASTER,RR	1	1	1		
43020	43020-1094	PISTON-COMP-BRAKE	1	1	1		
43026	43026-1086	CAP-BRAKE	1	1	1		
43028	43028-1092	DIAPHRAGM	1	1	1		
43095	43095-0046	HOSE-BRAKE,RR	1	1	1		
49091	49091-0001	WASHER-SEAL,10.1X14.5X1.5	4	4	4		
92022	92022-1028	WASHER,8.5X13X1	1	1	1		
92022A	92022-1601	WASHER,CIRCRIP	1	1	1		
92043	92043-0004	PIN	1	1	1		
92151	92151-1423	BOLT,6X14	2	2	2		
92153	92153-0627	BOLT,OIL,L=23	2	2	2		
92172	92172-1064	SCREW	2	2	2		
220	220B0510	SCREW-PAN-CROS,5X10	4	4	4		
550	550D2015	PIN-COTTER,2.0X15	1	1	1		

This catalog covers:

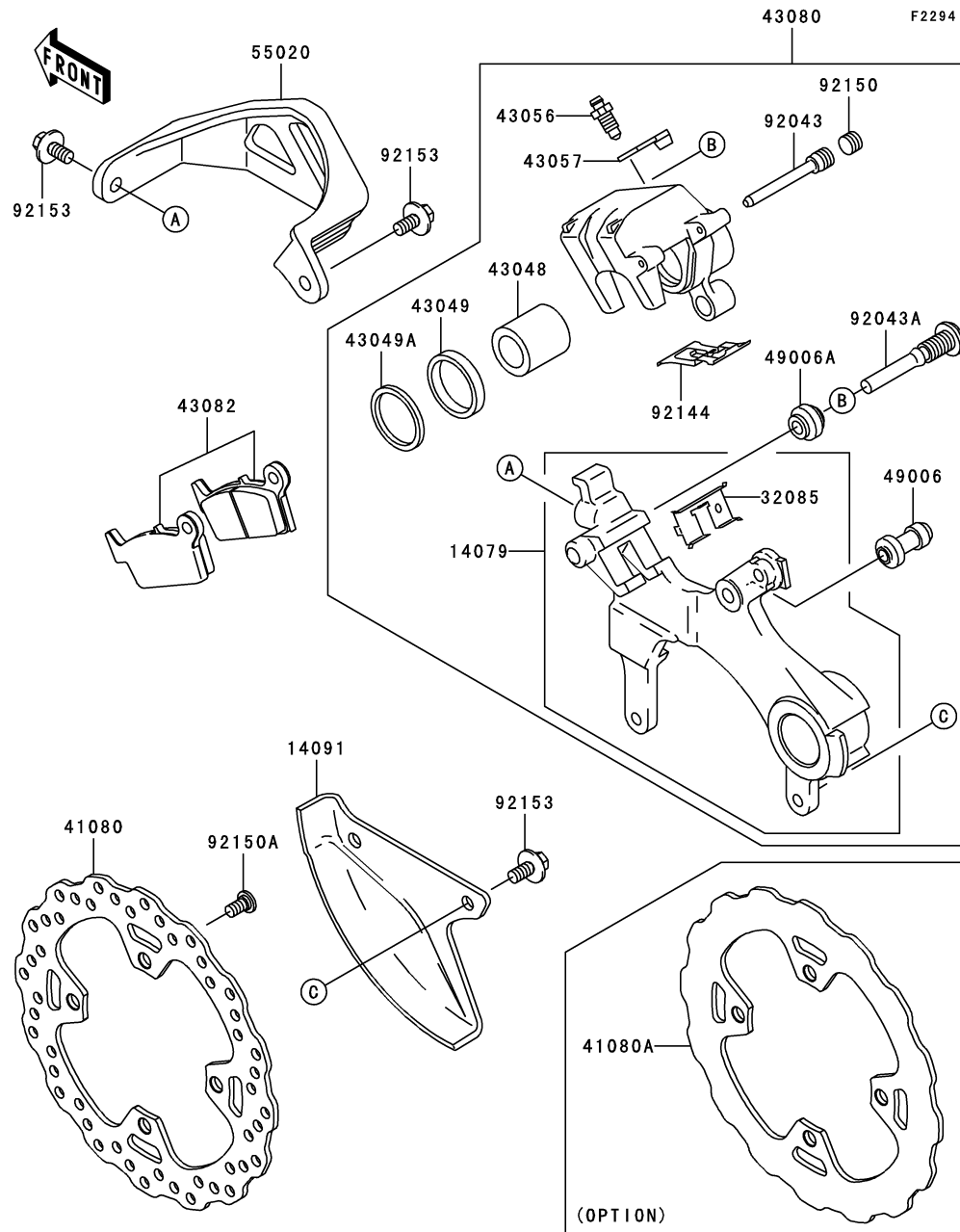
'06~'08 KX125 M6F/M7F/M8F Chassis

GRID NO.

E-6

This grid covers:

Rear Brake



Ref. No.	Part No.	Description	Quantity-KX125		
			'06	'07	'08
			M6F	M7F	M8F
14079	14079-1139	HOLDER-ASSY,REAR CALIPER	1	1	1
14091	14091-1523-RZ	COVER,REAR DISC,WHITE	1	1	1
32085	32085-1386	STOPPER,PAD	1	1	1
41080	41080-0076	DISC,RR	1	1	1
41080A	41080-0094	DISC,RR (OPTION)	1	1	1
43048	43048-1068	PISTON-CALIPER	1	1	1
43049	43049-1060	PACKING,PISTON SEAL	1	1	1
43049A	43049-1061	PACKING,PISTON SEAL	1	1	1
43056	43056-1055	BREATHER	1	1	1
43057	43057-1001	CAP-BREATHER	1	1	1
43080	43080-0007	CALIPER-SUB-ASSY,RR	1	1	1
43082	43082-1292	PAD-ASSY-BRAKE	1	1	1
49006	49006-1088	BOOT,CALIPER	1	1	1
49006A	49006-1242	BOOT,CALIPER	1	1	1
55020	55020-1488-RZ	GUARD,RR CALIPER,WHITE	1	1	1
92043	92043-1507	PIN,HANGER	1	1	1
92043A	92043-1508	PIN	1	1	1
92144	92144-1819	SPRING,PAD	1	1	1
92150	92150-1692	BOLT,PLUG	1	1	1
92150A	92150-1811	BOLT,DISC PLATE,8X15	4	4	4
92153	92153-0936	BOLT,FLANGED,6X14	4	4	4

This catalog covers:

'06~'08 KX125 M6F/M7F/M8F Chassis

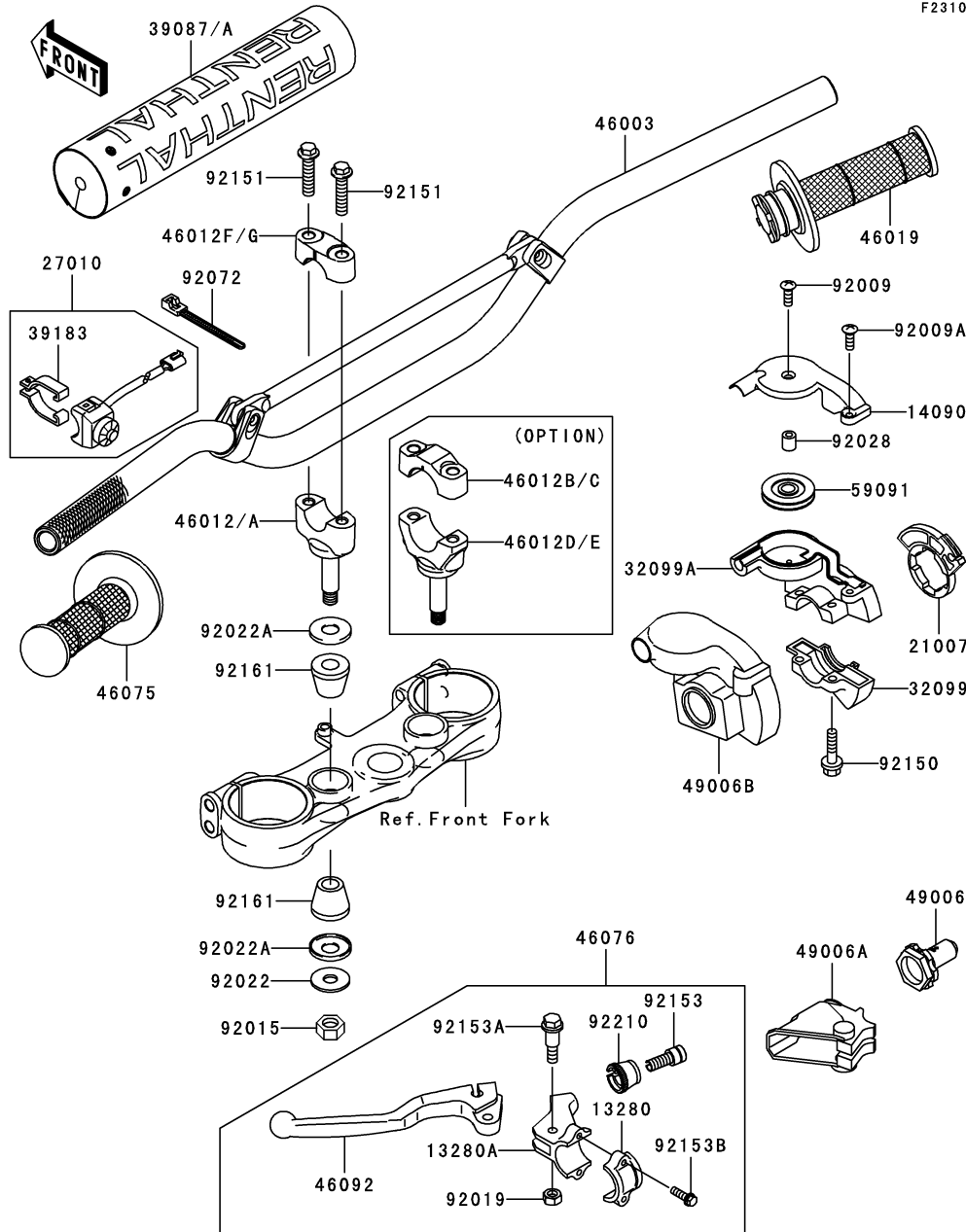
GRID NO.

E-7

This grid covers:

Handlebar(1/2)

F2310



Ref. No.	Part No.	Description	Spec Code	Quantity-KX125			
				'06	'07	'08	
				M6F	M7F	M8F	
13280	13280-0055	HOLDER	1	1	1		
13280A	13280-0118	HOLDER,CLUTCH LEVER	1	1	1		
14090	14090-1161	COVER,THROTTLE CASE,UPP	1	1	1		
21007	21007-1242	ROTOR,THROTTLE	1	1	1		
27010	27010-0022	SWITCH,ENGINE STOP	1	1	1		
32099	32099-1138	CASE,THROTTLE,LWR	1	1	1		
32099A	32099-1168	CASE,THROTTLE,UPP	1	1	1		
39087	39087-0003	PAD-HANDLE	1	1			
39087A	39087-0004	PAD-HANDLE			1		
39183	39183-1059	BAND-ASSY,ENGINE STOP SWITCH	1	1	1		
46003	46003-0077	HANDLE	1	1	1		
46012	46012-0013-D3	HOLDER-HANDLE,LWR,M.M.GOLD	2				
46012A	46012-0013-10Y	HOLDER-HANDLE,LWR,M.M.GOLD		2	2		
46012B	46012-0020-D3 (OPTION)	HOLDER-HANDLE,UPP,GOLD,FAT BAR	2				
46012C	46012-0020-10Y (OPTION)	HOLDER-HANDLE,UPP,FAT BAR,GOLD		2	2		
46012D	46012-0021-D3 (OPTION)	HOLDER-HANDLE,LWR,GOLD,FAT BAR	2				
46012E	46012-0021-10Y (OPTION)	HOLDER-HANDLE,LWR,FAT BAR,GOLD		2	2		
46012F	46012-0023-D3	HOLDER-HANDLE,UPP,M.M.GOLD	2				
46012G	46012-0023-10Y	HOLDER-HANDLE,UPP,M.M.GOLD		2	2		
46019	46019-1125	GRIP-ASSY,THROTTLE	1	1	1		
46075	46075-1213	GRIP,LH	1	1	1		
46076	46076-0019	LEVER-ASSY-GRIP,CLUTCH	1	1	1		
46092	46092-0007	LEVER-GRIP,CLUTCH	1	1	1		
49006	49006-0027	BOOT,CLUTCH CABLE	1	1	1		
49006A	49006-0030	BOOT,CLUTCH LEVER	1	1	1		
49006B	49006-1301	BOOT,THROTTLE	1	1	1		
59091	59091-1102	PULLEY,THROTTLE	1	1	1		
92009	92009-1674	SCREW	1	1	1		
92009A	92009-1675	SCREW	1	1	1		
92015	92015-1962	NUT,LOCK,10MM	2	2	2		
92019	92019-008	NUT,LOCK,6MM	1	1	1		
92022	92022-1088	WASHER,10.2X28X2	2	2	2		
92022A	92022-1737	WASHER	4	4	4		
92028	92028-1658	BUSHING,THROTTLE CASE	1	1	1		
92072	92072-0055	BAND,L=100	1	1	1		
92150	92150-1559	BOLT	2	2	2		
92151	92151-1537	BOLT,FLANGED,8X35	4	4	4		

This catalog covers:

'06~'08 KX125 M6F/M7F/M8F Chassis

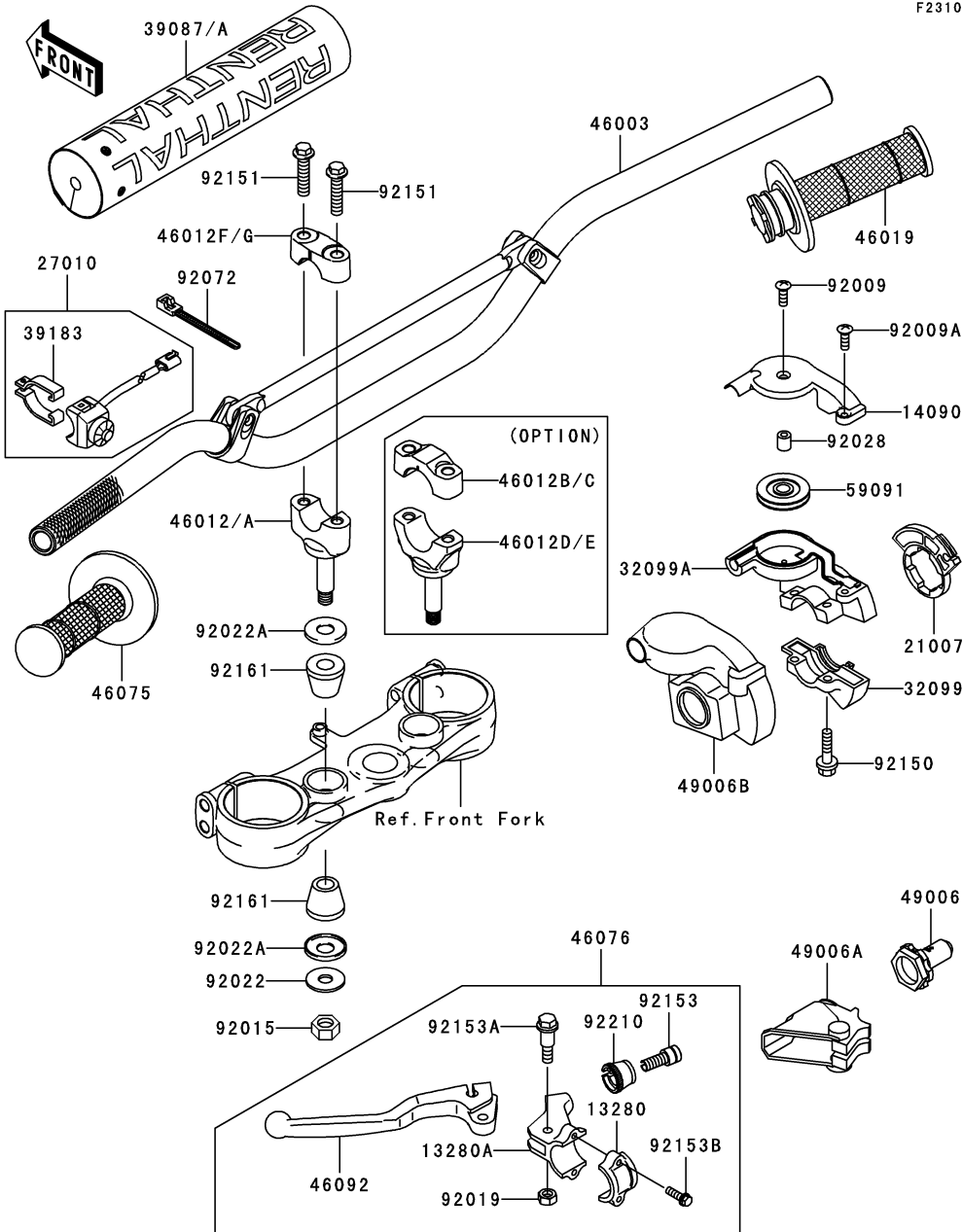
GRID NO.

E-8

This grid covers:

Handlebar(2/2)

F2310



Ref. No.	Part No.	Description	Quantity-KX125			
			'06	'07	'08	
			M6F	M7F	M8F	
92153	92153-0773	BOLT,BOLT ADJUSTING	1	1	1	
92153A	92153-0807	BOLT	1	1	1	
92153B	92153-0808	BOLT,5X16	2	2	2	
92161	92161-0113	DAMPER,HANDLE HOLDER	4	4	4	
92210	92210-0167	NUT,BOLT WIRE ADJUSTING	1	1	1	

This catalog covers:

'06~'08 KX125 M6F/M7F/M8F Chassis

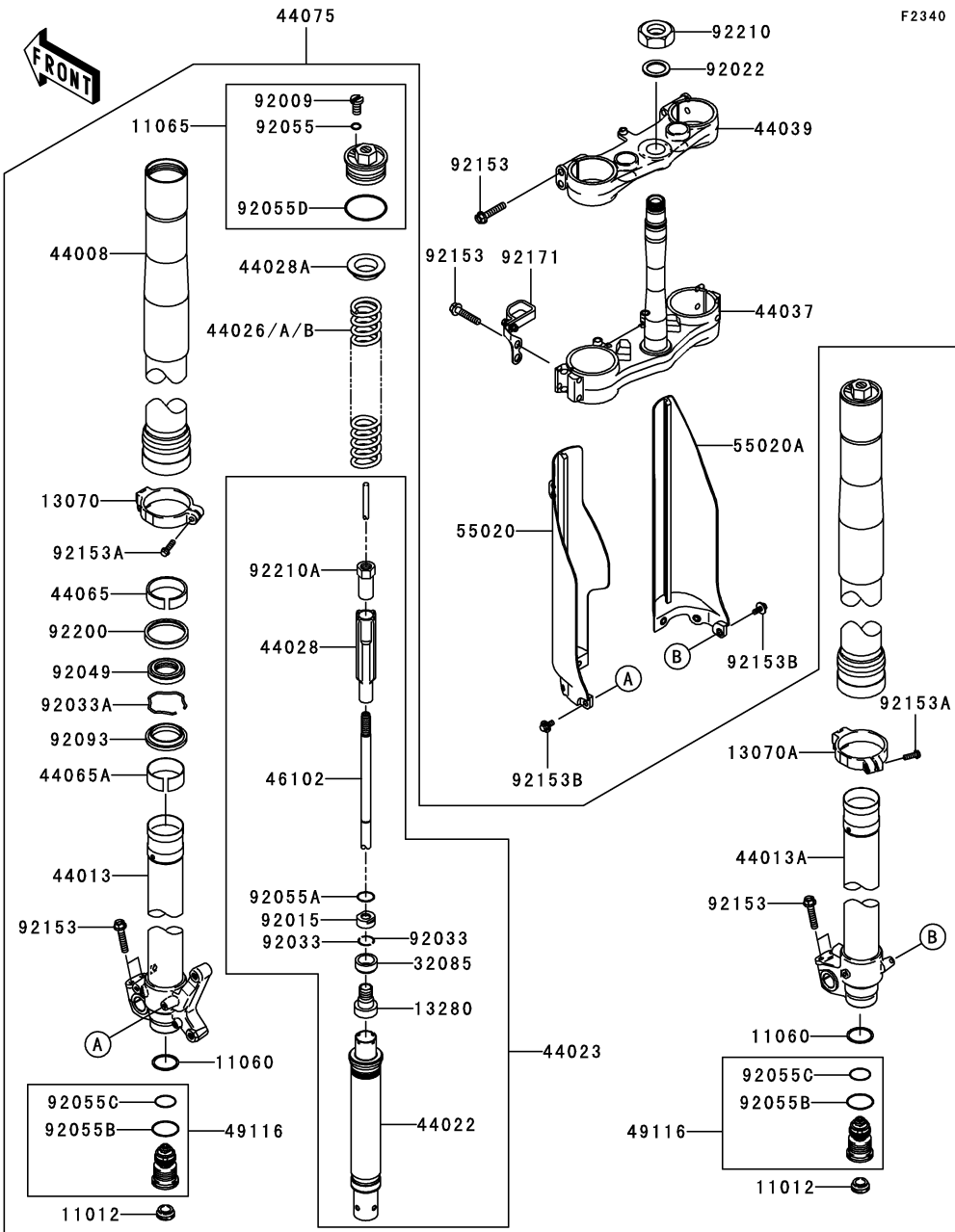
GRID NO.

E-9

This grid covers:

Front Fork(1/2)(M6F)

F2340



Ref. No.	Part No.	Description	Spec Code	Quantity-KX125			
				'06	'07	'08	
				M6F	M7F	M8F	
11012	11012-1692	CAP				2	
11060	11060-1707	GASKET				2	
11065	11065-1241	CAP,FORK, TOP				2	
13070	13070-0025	GUIDE,FORK,LH				1	
13070A	13070-0027	GUIDE,FORK,RH				1	
13280	13280-1127	HOLDER				2	
32085	32085-1323	STOPPER				2	
44008	44008-0004-828	PIPE-FORK OUTER,GOLD				2	
44013	44013-0014	PIPE-FORK INNER,LH				1	
44013A	44013-0015	PIPE-FORK INNER,RH				1	
44022	44022-0006	CYLINDER-FORK				2	
44023	44023-0011	CYLINDER-SET-FORK				2	
44026	44026-0009	SPRING-FRONT FORK,K=4.0N/MM				2	
44026A	44026-0011	SPRING-FRONT FORK,K=4.2N/MM				2	
44026B	44026-1768	SPRING-FRONT FORK,K=4.1N/MM				2	
44028	44028-0001	GUIDE-FORK SPRING				2	
44028A	44028-1104	GUIDE-FORK SPRING				2	
44037	44037-0031-D3	HOLDER-FORK UNDER,M.M.GOLD				1	
44039	44039-0017-D3	HOLDER-FORK UPPER,M.M.GOLD				1	
44065	44065-0006	BUSHING-FRONT FORK				2	
44065A	44065-1140	BUSHING-FRONT FORK				2	
44075	44075-0101-828	DAMPER-SET-FORK,GOLD				1	
46102	46102-0024	ROD,PISTON,ASSY				2	
49116	49116-0004	VALVE-ASSY,FORK				2	
55020	55020-0060-RZ	GUARD,FORK,LH,WHITE				1	
55020A	55020-0142-RZ	GUARD,FORK,RH,WHITE				1	
92009	92009-1884	SCREW				2	
92015	92015-1805	NUT				2	
92022	92022-250	WASHER,25X36X2.3				1	
92033	92033-1271	RING-SNAP				4	
92033A	92033-1329	RING-SNAP				2	
92049	92049-0070	SEAL-OIL				2	
92055	92055-1441	RING-O,2.8X6.6X1.9				2	
92055A	92055-1442	RING-O				2	
92055B	92055-1547	RING-O,FORK VALVE				2	
92055C	92055-1548	RING-O,FORK VALVE				2	

This catalog covers:

'06~'08 KX125 M6F/M7F/M8F Chassis

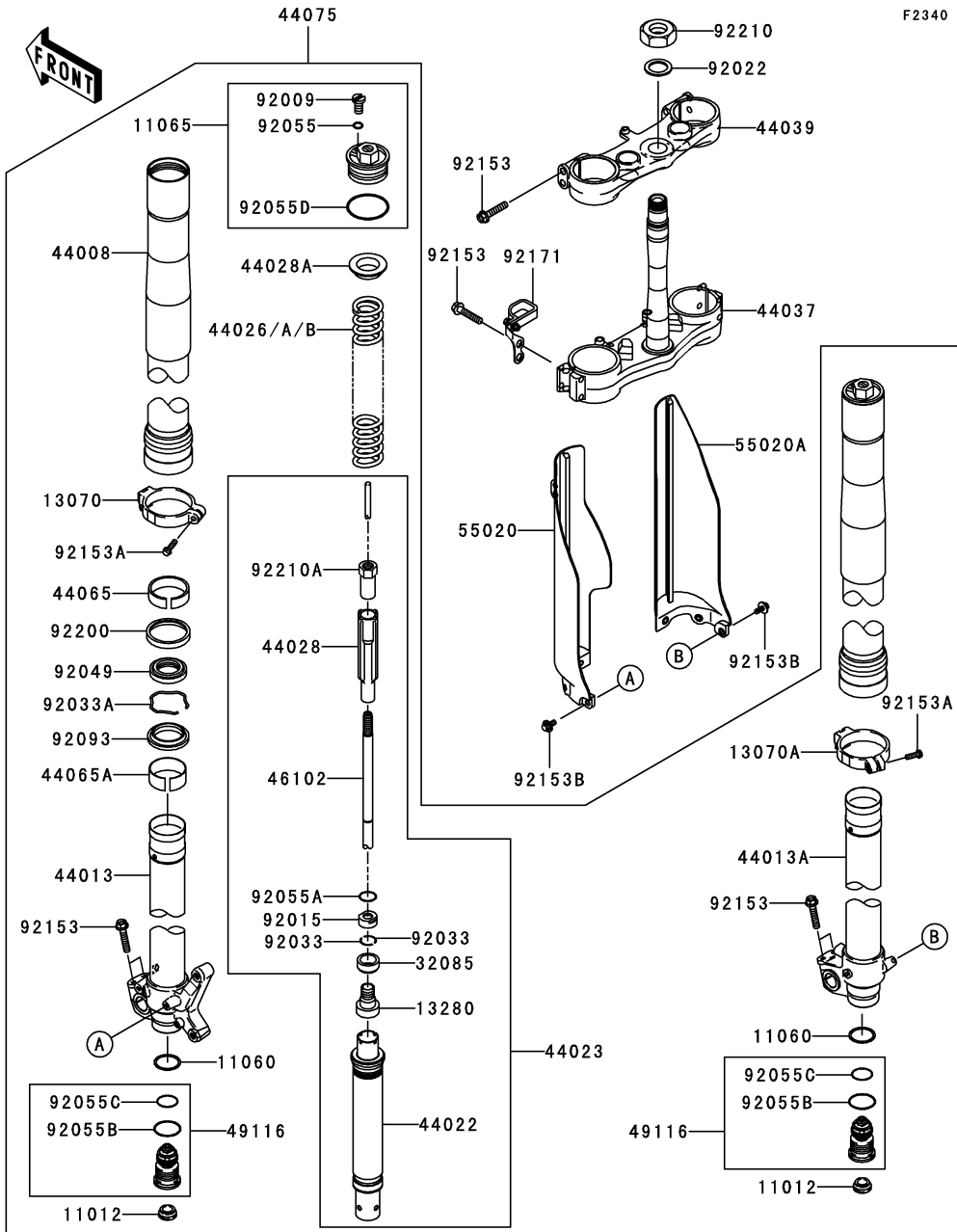
GRID NO.

E-10

This grid covers:

Front Fork(2/2)(M6F)

F2340



Ref. No.	Part No.	Description	Spec Code	Quantity-KX125			
				'06	'07	'08	
				M6F	M7F	M8F	
92055D	92055-1677	RING-O				2	
92093	92093-1566	SEAL,FORK OUTER TUBE				2	
92153	92153-0484	BOLT,FLANGED,8X40				12	
92153A	92153-0689	BOLT,FLANGED,6X20				2	
92153B	92153-0936	BOLT,FLANGED,6X14				6	
92171	92171-0414	CLAMP,HOSE				1	
92200	92200-0067	WASHER				2	
92210	92210-0066	NUT,24MM				1	
92210A	92210-1177	NUT				2	

This catalog covers:

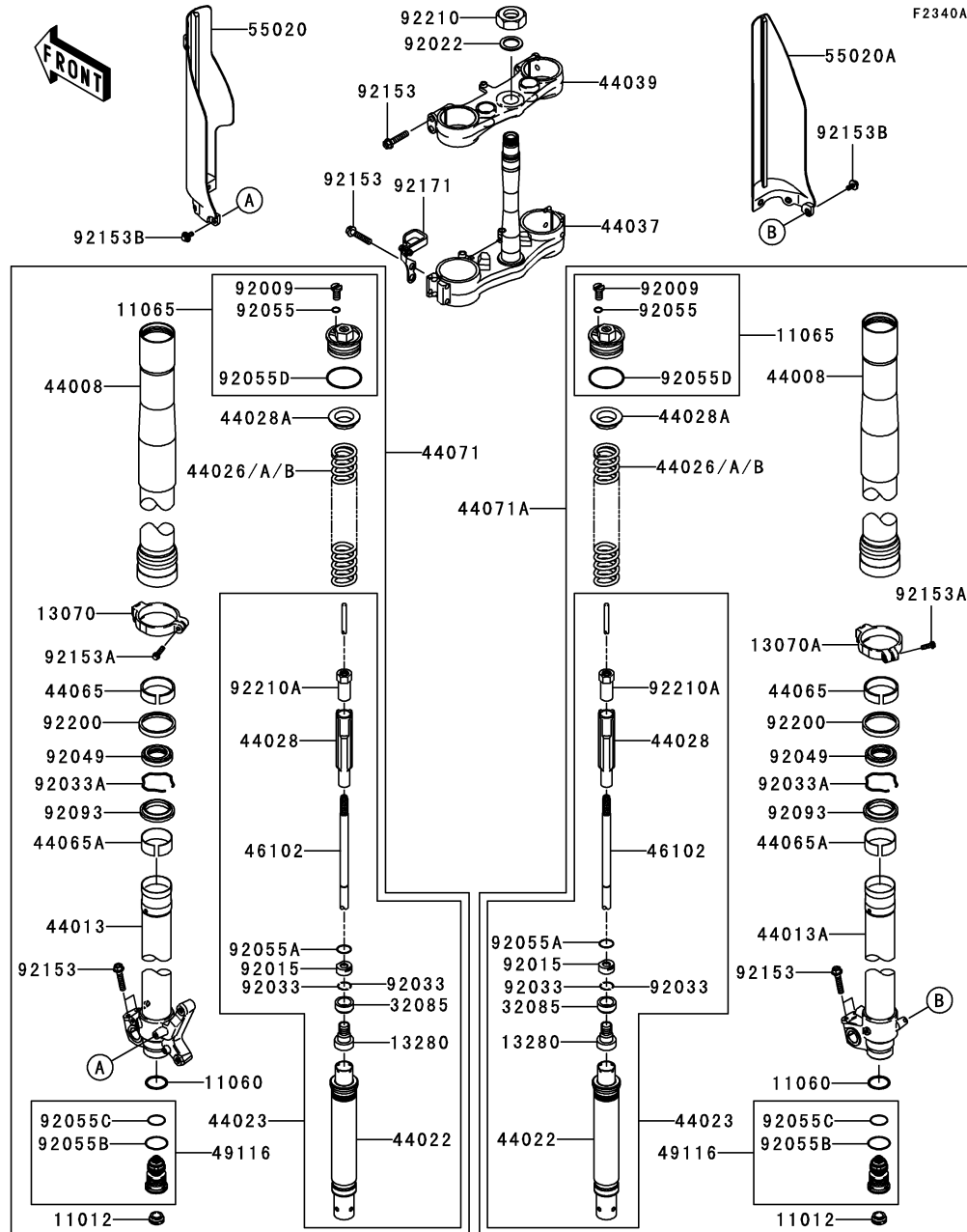
'06~'08 KX125 M6F/M7F/M8F Chassis

GRID NO.

E-11

This grid covers:

Front Fork(1/2)(M7F/M8F)



Ref. No.	Part No.	Description	Quantity-KX125			
			'06	'07	'08	
			M6F	M7F	M8F	
11012	11012-1692	CAP			2	2
11060	11060-1707	GASKET			2	2
11065	11065-1241	CAP,FORK, TOP			2	2
13070	13070-0025	GUIDE,FORK,LH			1	1
13070A	13070-0027	GUIDE,FORK,RH			1	1
13280	13280-1127	HOLDER			2	2
32085	32085-1323	STOPPER			2	2
44008	44008-0004-828	PIPE-FORK OUTER,GOLD			2	2
44013	44013-0014	PIPE-FORK INNER,LH			1	1
44013A	44013-0015	PIPE-FORK INNER,RH			1	1
44022	44022-0006	CYLINDER-FORK			2	2
44023	44023-0011	CYLINDER-SET-FORK			2	2
44026	44026-0009	SPRING-FRONT FORK,K=4.0N/MM			2	2
	(OPTION)					
44026A	44026-0011	SPRING-FRONT FORK,K=4.2N/MM			2	2
	(OPTION)					
44026B	44026-1768	SPRING-FRONT FORK,K=4.1N/MM			2	2
44028	44028-0001	GUIDE-FORK SPRING			2	2
44028A	44028-1104	GUIDE-FORK SPRING			2	2
44037	44037-0031-10Y	HOLDER-FORK UNDER,M.M.GOLD			1	1
44039	44039-0017-10Y	HOLDER-FORK UPPER,M.M.GOLD			1	1
44065	44065-0006	BUSHING-FRONT FORK			2	2
44065A	44065-1140	BUSHING-FRONT FORK			2	2
44071	44071-0306-828	DAMPER-ASSY,FORK,LH,GOLD			1	1
44071A	44071-0307-828	DAMPER-ASSY,FORK,RH,GOLD			1	1
46102	46102-0024	ROD,PISTON,ASSY			2	2
49116	49116-0004	VALVE-ASSY,FORK			2	2
55020	55020-0060-RZ	GUARD,FORK,LH,WHITE			1	1
55020A	55020-0142-RZ	GUARD,FORK,RH,WHITE			1	1
92009	92009-1884	SCREW			2	2
92015	92015-1805	NUT			2	2
92022	92022-250	WASHER,25X36X2.3			1	1
92033	92033-1271	RING-SNAP			4	4
92033A	92033-1329	RING-SNAP			2	2
92049	92049-0070	SEAL-OIL			2	2
92055	92055-1441	RING-O,2.8X6.6X1.9			2	2
92055A	92055-1442	RING-O			2	2
92055B	92055-1547	RING-O,FORK VALVE			2	2
92055C	92055-1548	RING-O,FORK VALVE			2	2

This catalog covers:

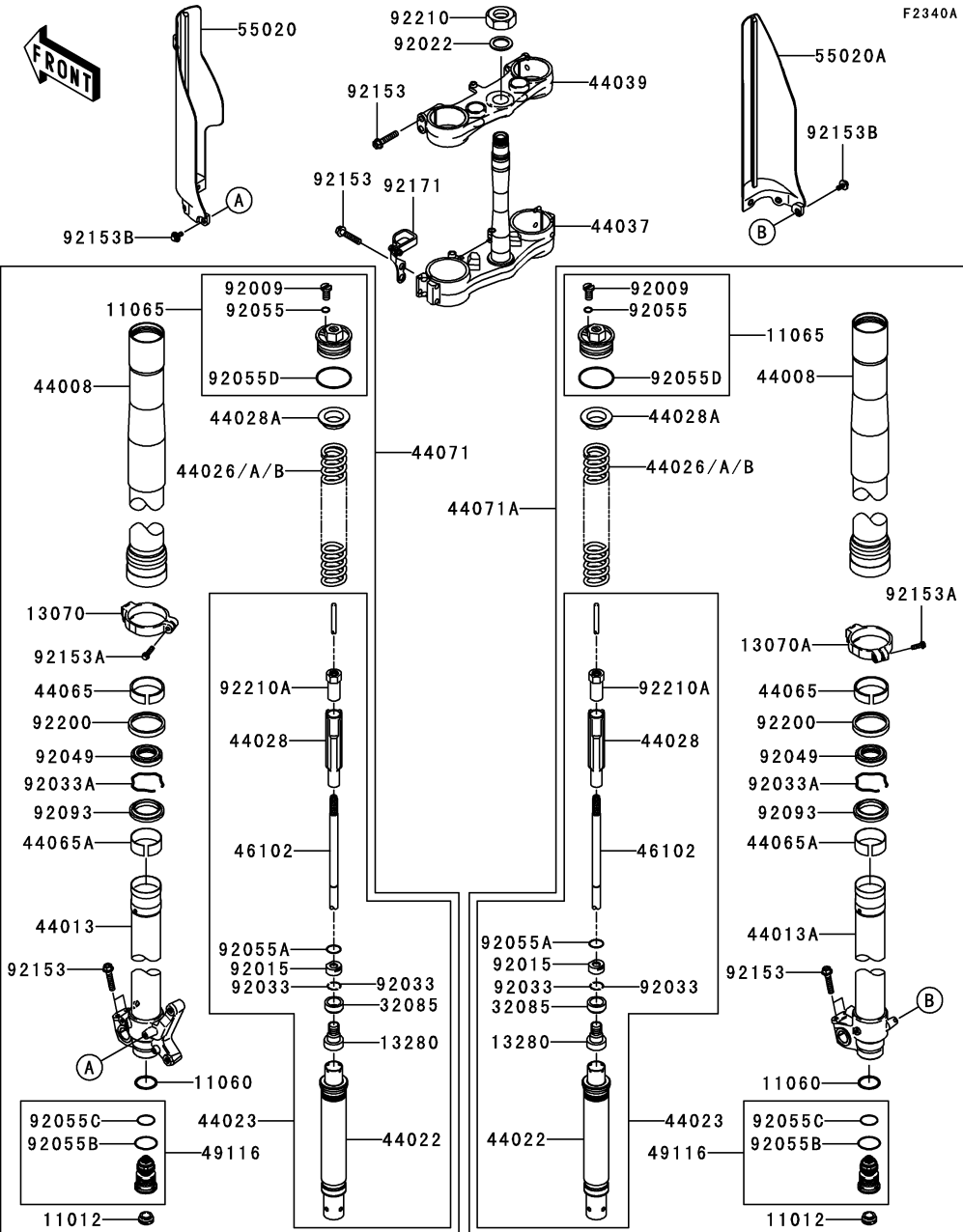
'06~'08 KX125 M6F/M7F/M8F Chassis

GRID NO.

E-12

This grid covers:

Front Fork(2/2)(M7F/M8F)



Ref. No.	Part No.	Description	Spec Code	Quantity-KX125			
				'06	'07	'08	
				M6F	M7F	M8F	

92055D	92055-1677	RING-O		2	2		
92093	92093-1566	SEAL,FORK OUTER TUBE		2	2		
92153	92153-0484	BOLT,FLANGED,8X40		12	12		
92153A	92153-0689	BOLT,FLANGED,6X20		2	2		
92153B	92153-0936	BOLT,FLANGED,6X14		6	6		
92171	92171-0414	CLAMP,HOSE		1	1		
92200	92200-0067	WASHER		2	2		
92210	92210-0066	NUT,24MM		1	1		
92210A	92210-1177	NUT		2	2		

This catalog covers:

'06~'08 KX125 M6F/M7F/M8F Chassis

GRID NO.

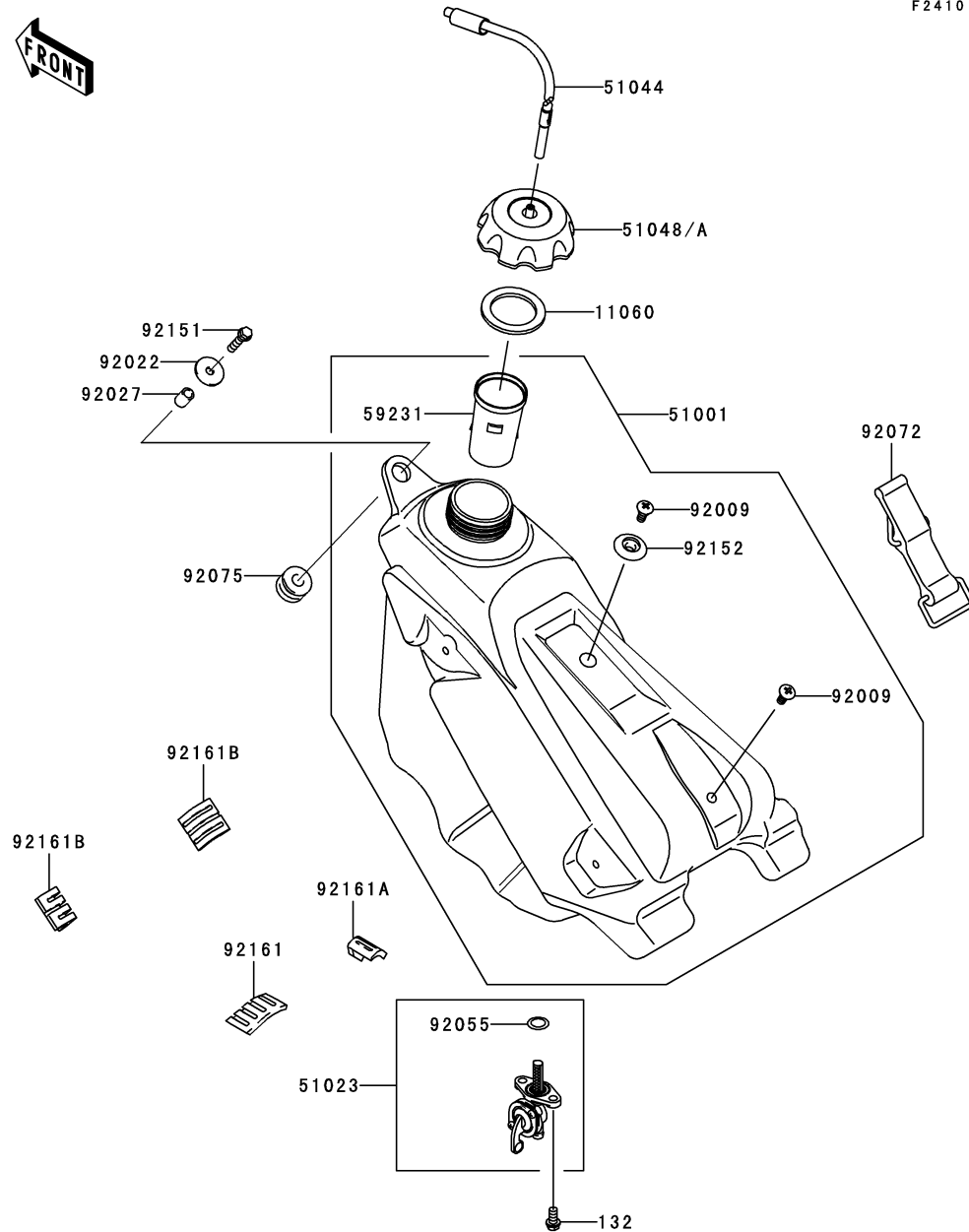
E-13

This grid covers:

Fuel Tank

F2410

Ref. No.	Part No.	Description	Spec Code	Quantity-KX125		
				'06	'07	'08
				M6F	M7F	M8F
11060	11060-1340	GASKET,FUEL TANK CAP	1	1	1	
51001	51001-0033-6Z	TANK-COMP-FUEL,F.BLACK	1	1	1	
51023	51023-0020	TAP-ASSY,FUEL	1	1	1	
51044	51044-0023	TUBE-ASSY,TANK CAP	1	1	1	
51048	51048-0014	CAP-ASSY-TANK,FUEL		1	1	
51048A	51048-1124	CAP-ASSY-TANK,FUEL	1			
59231	59231-1096	FILLER	1	1	1	
92009	92009-1971	SCREW,6MM	2	2	2	
92022	92022-1690	WASHER,6.5X24X2	1	1	1	
92027	92027-1966	COLLAR,6.8X10X14	1	1	1	
92055	92055-0078	RING-O,FUEL TAP PACKING	1	1	1	
92072	92072-1229	BAND,FUEL TANK	1	1	1	
92075	92075-1787	DAMPER	1	1	1	
92151	92151-1930	BOLT,FLANGED-SMALL,6X25	1	1	1	
92152	92152-1346	COLLAR	1	1	1	
92161	92161-1279	DAMPER,FUEL TANK,RR	1	1	1	
92161A	92161-1280	DAMPER,FUEL TANK,RR	1	1	1	
92161B	92161-1291	DAMPER,FUEL TANK,SIDE	2	2	2	
132	132G0612	BOLT-FLANGED-SMALL,6X12	2	2	2	



This catalog covers:

'06~'08 KX125 M6F/M7F/M8F Chassis

GRID NO.

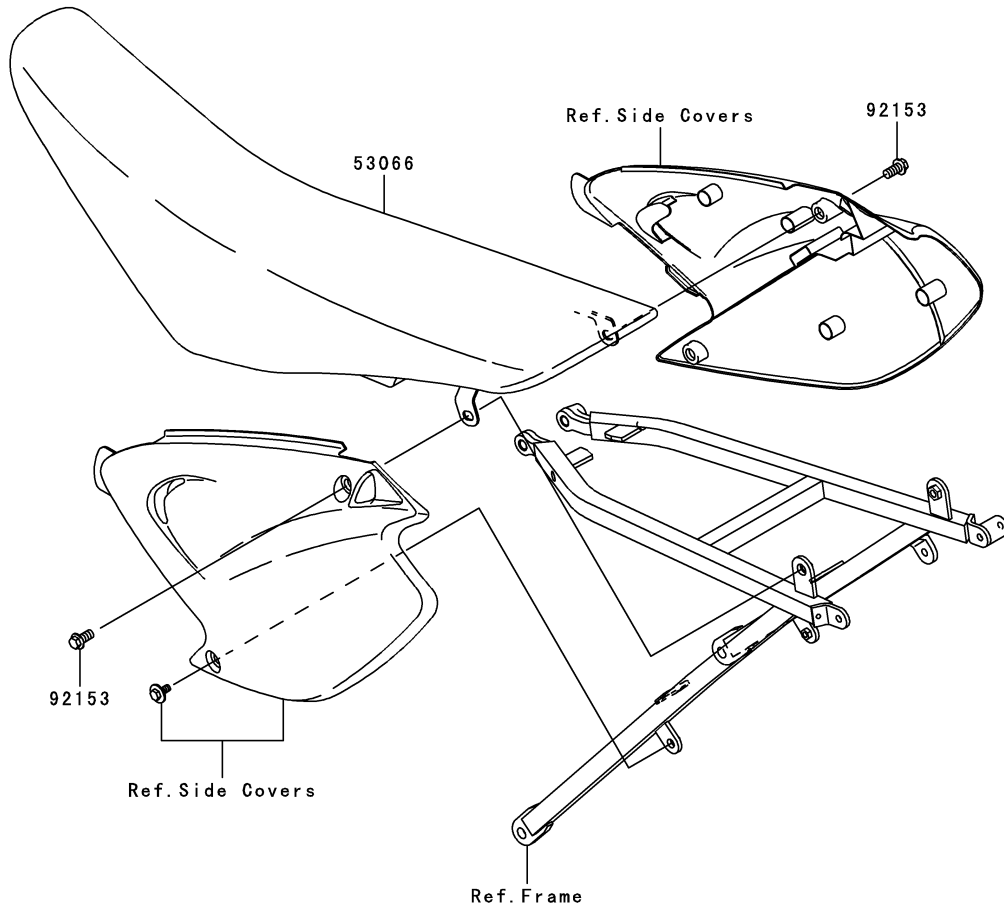
E-14

This grid covers:

Seat

F2510

Ref. No.	Part No.	Description	Spec Code	Quantity-KX125		
				'06	'07	'08
				M6F	M7F	M8F
53066	53066-0094-336	SEAT-ASSY, GREEN/BLACK	1	1	1	
92153	92153-1308	BOLT, FLANGED, 8X16	2	2	2	



This catalog covers:

'06~'08 KX125 M6F/M7F/M8F Chassis

GRID NO.

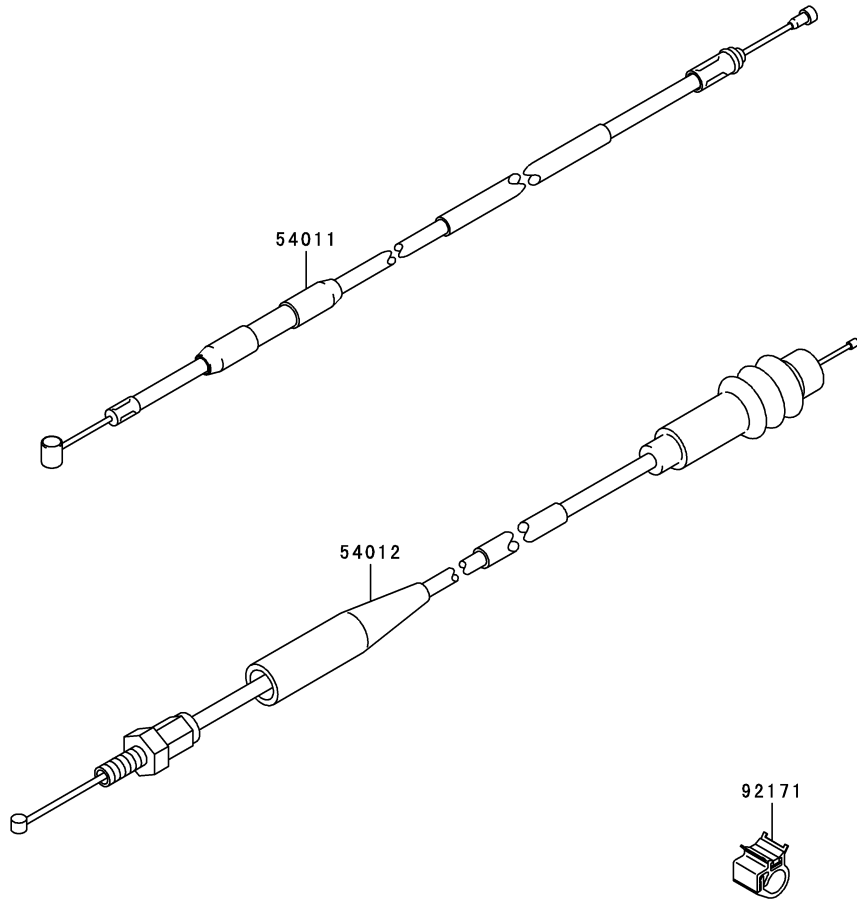
F-3

This grid covers:

Cables

F2540

Ref. No.	Part No.	Description	Spec Code	Quantity-KX125				
				'06	'07	'08		
				M6F	M7F	M8F		
54011	54011-0043	CABLE-CLUTCH		1	1	1		
54012	54012-0139	CABLE-THROTTLE		1	1	1		
92171	92171-1423	CLAMP,DIA=10		1	1	1		



This catalog covers:

'06~'08 KX125 M6F/M7F/M8F Chassis

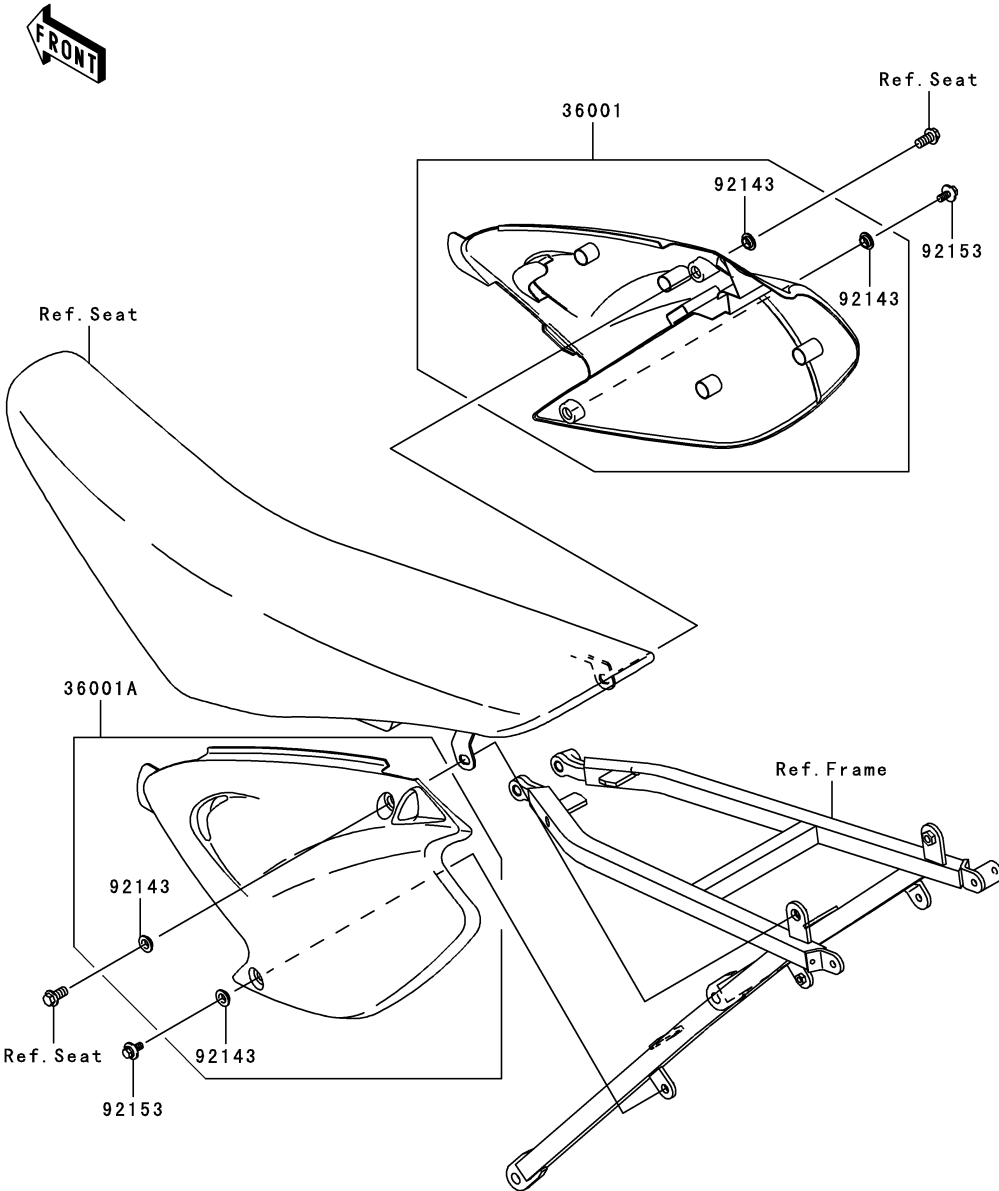
GRID NO.

F-4

This grid covers:

Side Covers

F2611



Ref. No.	Part No.	Description	Quantity-KX125			
			'06	'07	'08	
			M6F	M7F	M8F	
36001	36001-0056-266	COVER-SIDE,RH,S.WHITE	1	1	1	
36001A	36001-1671-266	COVER-SIDE,LH,S.WHITE	1	1	1	
92143	92143-1196	COLLAR	4	4	4	
92153	92153-0863	BOLT,6X16	2	2	2	

This catalog covers:

'06~'08 KX125 M6F/M7F/M8F Chassis

GRID NO.

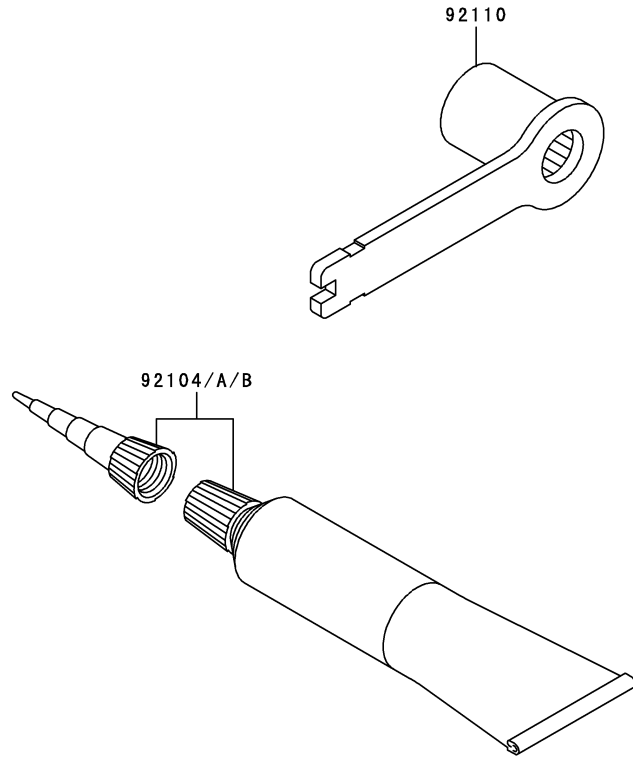
F-5

This grid covers:

Owner's Tools

F2810

Ref. No.	Part No.	Description	Spec Code	Quantity-KX125				
				'06	'07	'08		
				M6F	M7F	M8F		
92104	92104-0004	GASKET-LIQUID,TB1211F		1	1	1		
92104A	92104-002	GASKET-LIQUID,TUBE,100G,SILVER		1	1	1		
92104B	92104-1065	GASKET-LIQUID,TB1215		1	1	1		
92110	92110-1200	TOOL-WRENCH,BOX,21MM&SPOKE		1	1	1		



This catalog covers:

'06~'08 KX125 M6F/M7F/M8F Chassis

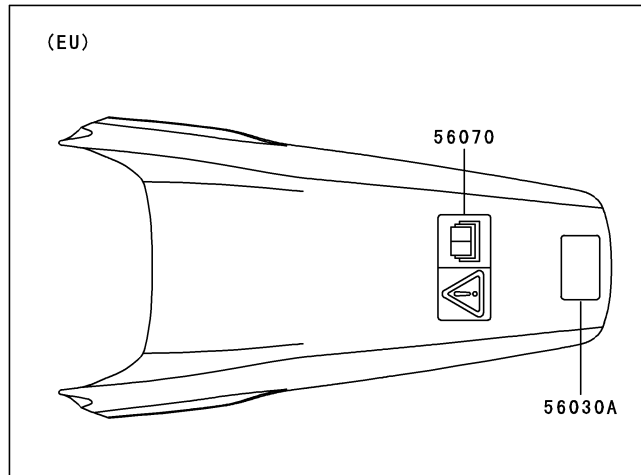
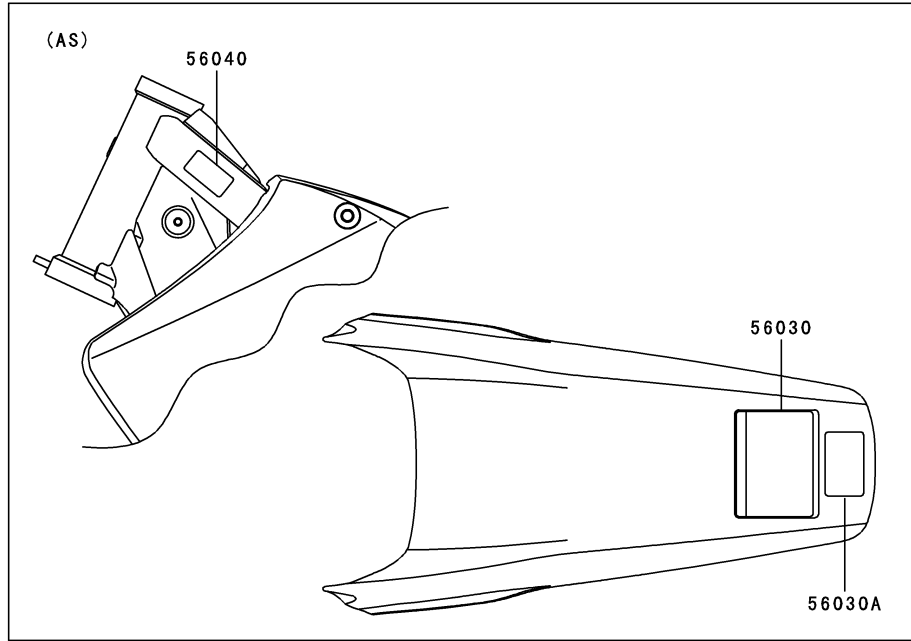
GRID NO.

F-6

This grid covers:

Labels(M6F/M7F)

F2860



Ref. No.	Part No.	Description	Spec Code	Quantity-KX125			
				'06	'07	'08	
				M6F	M7F	M8F	
56030	56030-1228	LABEL,IMPORTANT NOTICE					
		L-----	AS	1	1		
56030A	56030-1230	LABEL,32:1		1	1		
56040	56040-1157	LABEL,UNLEADED PETROL ONLY					
		L-----	AS	1	1		
56070	56070-3799	LABEL-WARNING,OWNER'S MANUAL					
		L-----	EU	1	1		

This catalog covers:

'06~'08 KX125 M6F/M7F/M8F Chassis

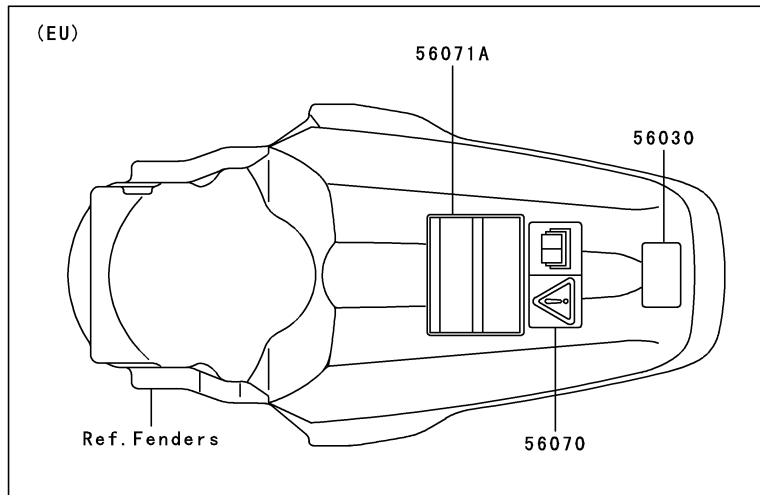
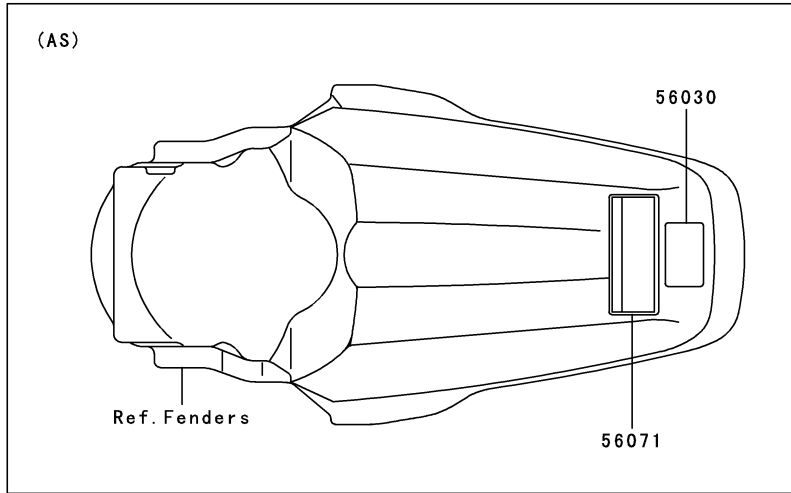
GRID NO.

F-7

This grid covers:

Labels(M8F)

F2860



Ref. No.	Part No.	Description	Spec Code	Quantity-KX125			
				'06	'07	'08	
56030	56030-1230	LABEL,32:1					1
56070	56070-3799	LABEL-WARNING,OWNER'S MANUAL					
		L----- EU					1
56071	56071-0028	LABEL-WARNING,IMPORTANT NOTICE					
		L----- AS					1
56071A	56071-0029	LABEL-WARNING,IMPORTANT NOTICE					
		L----- EU					1

This catalog covers:

'06~'08 KX125 M6F/M7F/M8F Chassis

GRID NO.

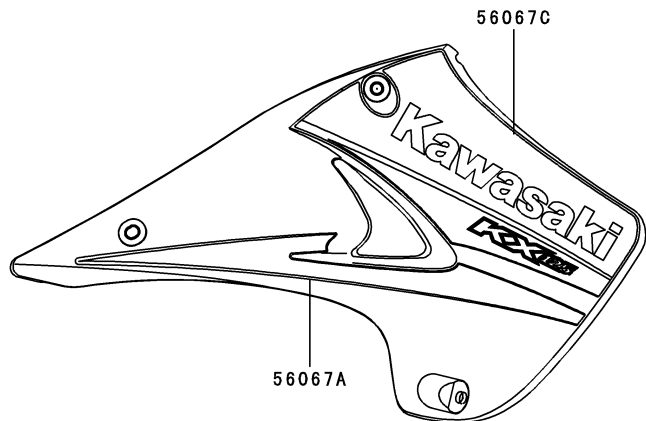
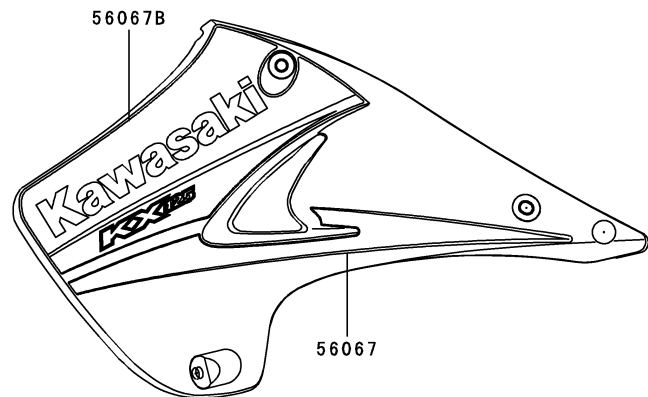
F-8

This grid covers:

Decals(M6F)

F2861

Ref. No.	Part No.	Description	Spec Code	Quantity-KX125			
				'06	'07	'08	
				M6F	M7F	M8F	
56067	56067-0130	PATTERN,SHROUD,LWR,LH				1	
56067A	56067-0131	PATTERN,SHROUD,LWR,RH				1	
56067B	56067-0132	PATTERN,SHROUD,UPP,LH				1	
56067C	56067-0133	PATTERN,SHROUD,UPP,RH				1	



This catalog covers:

'06~'08 KX125 M6F/M7F/M8F Chassis

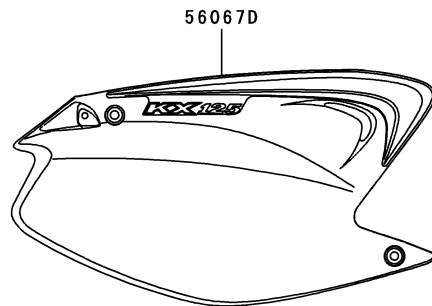
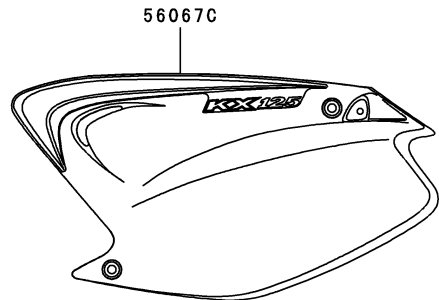
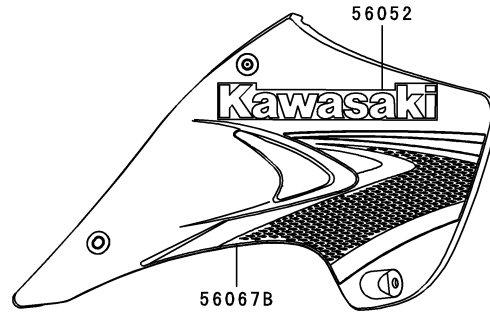
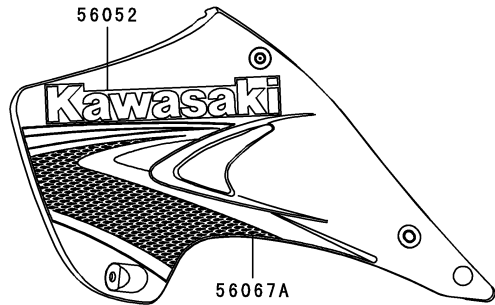
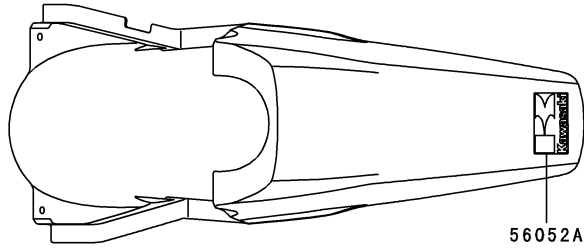
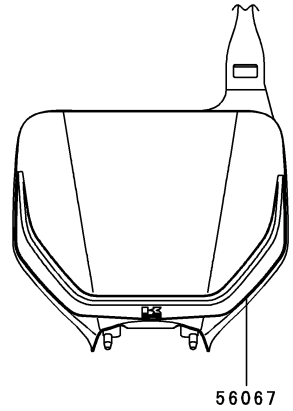
GRID NO.

F-9

This grid covers:

Decals(M7F/M8F)

F2861A



Ref. No.	Part No.	Description	Spec Code	Quantity-KX125			
				'06	'07	'08	
				M6F	M7F	M8F	
56052	56052-0368	MARK,SHROUD,KAWASAKI			2	2	
56052A	56052-0887	MARK,RR FENDER,KAWASAKI			1	1	
56067	56067-0970	PATTERN,NUMBER PLATE			1	1	
56067A	56067-0981	PATTERN,SHROUD,LH			1	1	
56067B	56067-0982	PATTERN,SHROUD,RH			1	1	
56067C	56067-0983	PATTERN,SIDE COVER,LH			1	1	
56067D	56067-0984	PATTERN,SIDE COVER,RH			1	1	

This catalog covers:

'06~'08 KX125 M6F/M7F/M8F Chassis

GRID NO.

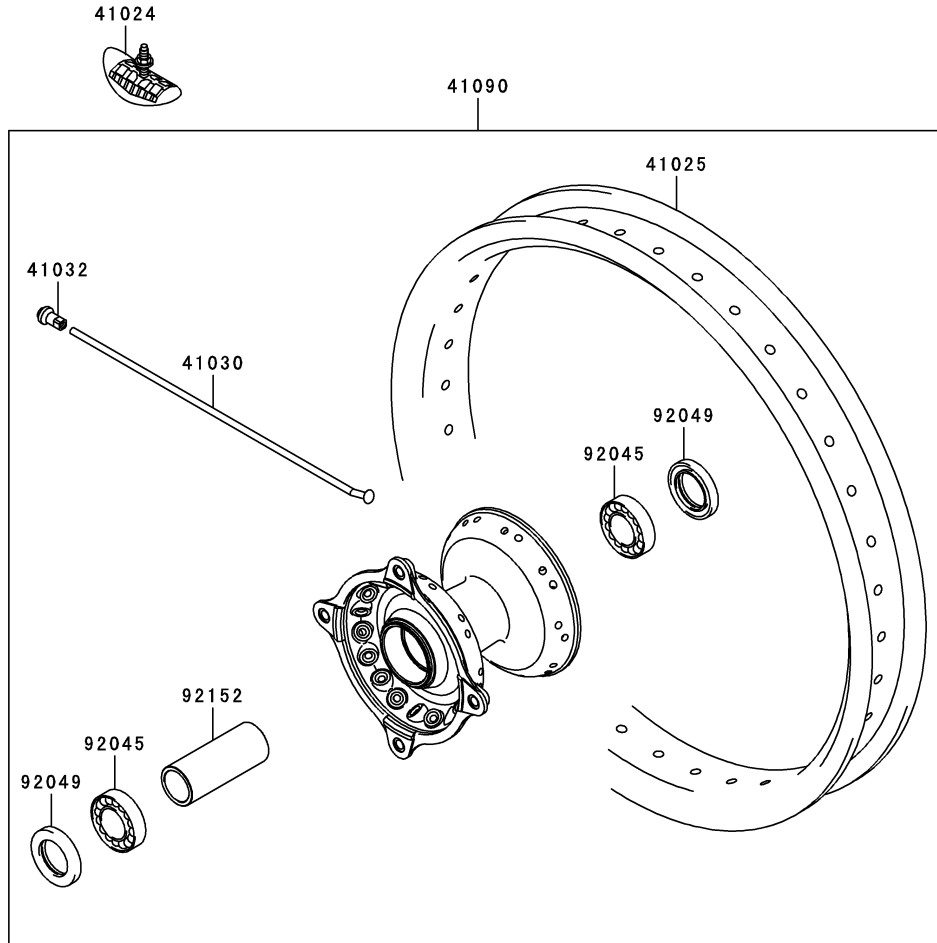
F-10

This grid covers:

Optional Parts

F2890

Ref. No.	Part No.	Description	Spec Code	Quantity-KX125		
				'06	'07	'08
				M6F	M7F	M8F
41024	41024-011	STOPPER-RIM,1.85-M(DUNLOP)	1	1	1	
41025	41025-1411	RIM,FR,1.85X20	1	1	1	
41030	41030-1172	SPOKE-OUTER,FR,217.5MMX170D	36	36	36	
41032	41032-1086	NIPPLE-SPOKE,ALUMINIUM	36	36	36	
41090	41090-1154	WHEEL,FR,1.85X20,ALUM NIPPLE	1	1	1	
92045	92045-1284	BEARING-BALL,69042RS	2	2	2	
92049	92049-1403	SEAL-OIL,BJNC-2 25X37X5	2	2	2	
92152	92152-1472	COLLAR,FRONT BRAKE DRUM,L=72	1	1	1	



This catalog covers:

'06~'08 KX125 M6F/M7F/M8F Chassis

GRID NO.

F-11

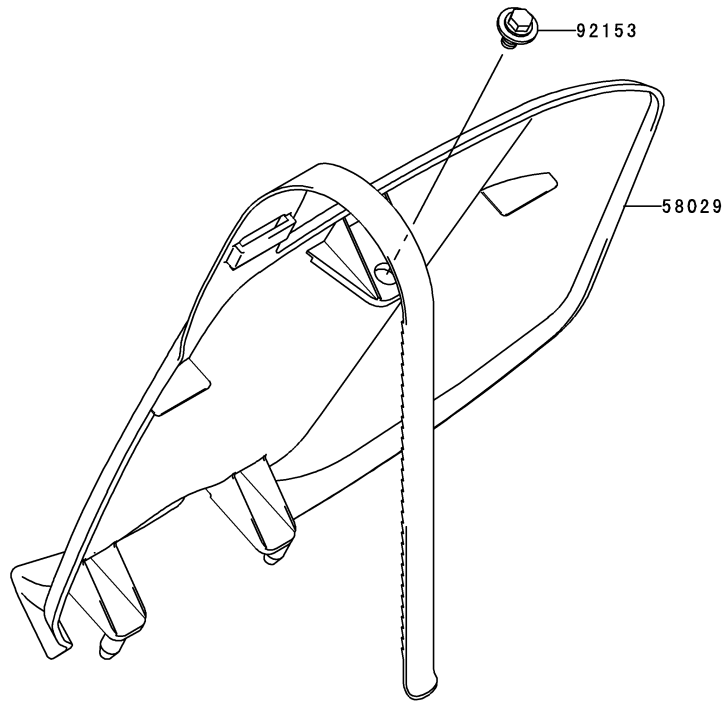
This grid covers:

Accessory



F2910

Ref. No.	Part No.	Description	Spec Code	Quantity-KX125		
				'06	'07	'08
58029	58029-0003-266	PLATE-NUMBER,S.WHITE	1	1	1	
92153	92153-0503	BOLT,6X12	1	1	1	



This catalog covers:

'06~'08 KX125 M6F/M7F/M8F Chassis

GRID NO.

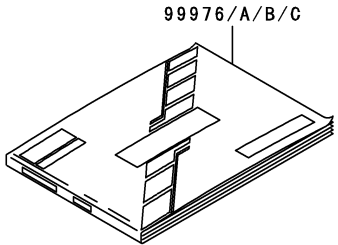
F-12

This grid covers:

Manual(EU)

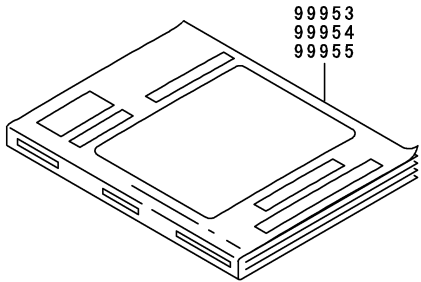
F2920

Owner's Manual
(Local Procurement)



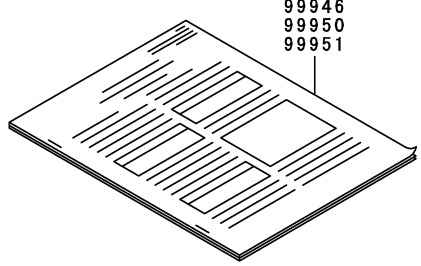
Ref. No.	Language
(99976/A)	English
	French
	German
(99976B)	Italian
	English
	French
(99976C)	German
	Italian
	Spanish
	Dutch

Service Manual



Ref. No.	Language
(99953)	German
(99954)	French
(99955)	Italian

A&P Manual



Ref. No.	Language
(99946)	German
(99950)	French
(99951)	Italian

Ref. No.	Part No.	Description	Spec Code	Quantity-KX125			
				'06	'07	'08	
				M6F	M7F	M8F	
99946	99946-1029-02	A&P MANUAL,GERMAN	L-----	EU	1	1	1
99950	99950-1034-02	A&P MANUAL,FRENCH	L-----	EU	1	1	1
99951	99951-1020-02	A&P MANUAL,ITALIAN	L-----	EU	1	1	1
99953	99953-1001-05	SERVICE MANUAL,GERMAN	L-----	EU	1	1	1
99954	99954-1003-05	SERVICE MANUAL,FRENCH	L-----	EU	1	1	1
99955	99955-1002-05	SERVICE MANUAL,ITALIAN	L-----	EU	1	1	1
99976	99976-1254	OWNER'S MANUAL,MULTI	L-----	EU	1		
99976A	99976-1312	OWNER'S MANUAL,MULTI	L-----	EU		1	
99976B	99976-1387	OWNER'S MANUAL,EN/FR/DE	L-----	EU			1
99976C	99976-1388	OWNER'S MANUAL,IT/ES/NL	L-----	EU			1

This catalog covers:

'06~'08 KX125 M6F/M7F/M8F

GRID NO.

This grid covers:

L-14 Numerical Parts Index

Part No.	Grid No.	Part No.	Grid No.	Part No.	Grid No.	Part No.	Grid No.	Part No.	Grid No.	Part No.	Grid No.
11001-0013	B-3	13070-0027	E-9	13262-0058	B-9	16031-0003	C-3	32160-0164	D-3	41032-1077	D-10
11001-0013	B-3	13070-0029	D-14	13262-0095	B-9	16049-0001	C-3	32190-1265	D-4	41032-1085	D-10
11001-0031	B-3	13070-0048	E-5	13262-0117	B-9	16065-0010	C-3	33001-0066-458	D-5	41032-1086	D-10
11005-0026	B-3	13070-1007	B-7	13262-0174	B-9	16104-0001	C-3	33032-1189	D-5	41032-1086	F-10
11011-0048	B-4	13070-1122	B-13	13262-0175	B-9	16115-018	B-13	33040-0013	D-5	41034-0004	D-12
11012-1552	D-14	13070-1362	D-14	13262-0176	B-9	16142-1173	B-13	33040-0020	D-5	41034-0034	D-11
11012-1581	D-11	13078-1052	B-7	13262-0287	B-9	16187-0001	C-3	16187-0001	D-5	41034-0037-10Y	D-11
11012-1692	E-11	13078-1071	B-11	13262-1055	B-9	16187-0002	C-3	34024-1396-458	D-9	41034-0038-10Y	D-12
11012-1692	E-9	13087-0016	B-8	13271-0020	C-3	16187-0003	C-3	34028-1533	D-7	41068-0004	D-11
11013-1264	B-4	13088-1057	B-8	13271-0021	C-3	16187-0004	C-3	34028-1534	D-7	41068-1466	D-12
11053-0467	D-4	13088-1102	B-8	13271-0197	B-12	16187-0005	C-3	35004-0050-290	D-8	41080-0076	E-6
11060-1340	E-13	13089-013	B-8	13271-0582	B-12	16187-0006	C-3	35004-0078-290	D-8	41080-0082	E-4
11060-1707	E-11	13091-1664	B-4	13271-1823	B-3	16187-0007	C-3	35019-1402-6Z	D-8	41080-0090	E-4
11060-1707	E-9	13091-1708	B-4	13271-1824	B-11	16187-0008	C-3	35023-1587-290	D-8	41080-0094	E-6
11061-0038	B-13	13095-1412	B-8	13271-1833	D-5	16187-0009	C-3	35063-1226	C-8	41090-0021	D-10
11061-0039	B-3	13097-0007	B-6	13271-1834	D-5	16187-0010	C-3	35063-1227	C-8	41090-0035-10Y	D-10
11061-1131	B-3	130G0512	B-3	13280-0055	E-7	172G0612	B-11	36001-0056-266	F-4	41090-0037-10Y	D-10
11061-1132	B-3	130L0508	B-14	13280-0118	E-7	18020-0007	B-5	36001-1671-266	F-4	41090-1151	D-10
11061-1133	B-3	130P0514	B-14	13280-1127	E-11	18046-1597	B-5	39007-0002	D-6	41090-1154	F-10
11061-1134	B-13	130P0825	C-6	13280-1127	E-9	18100-0003	B-5	39061-0012	C-8	410B0800	D-12
11061-1135	B-13	13102-0003	B-8	13280-1266	B-8	18120-0011	B-5	39061-0013	C-8	42036-0014	D-6
11061-1150	B-13	13107-1500	B-3	132G0612	E-13	21003-0033	C-6	39062-0029	C-8	42036-0015	D-6
11065-1241	E-11	13116-1171	B-8	13116-1171	B-11	21003-0056	C-6	39062-0043	C-8	42036-0030	D-6
11065-1241	E-9	13127-0017	B-9	132G0616	B-7	21007-0060	C-6	39062-0044	C-8	42036-1248	D-6
11065-1253	D-12	13128-1257	B-9	132L0610	D-4	21007-0061	C-6	39062-1900	C-8	42036-1326	D-5
12005-0012	B-3	13140-1309	B-10	132L0616	E-3	21007-0062	C-6	39087-0003	E-7	42036-1351	D-6
12005-0014	B-3	13140-1310	B-10	132L0620	C-8	21007-0063	C-6	39087-0004	E-7	42041-0001	D-12
12021-0012	B-12	13140-1311	B-10	14001-0051	B-12	21007-0064	C-6	39129-1035	B-13	42041-0002	D-12
12022-0002	B-12	13141-1227	B-10	14026-0013	B-13	21007-0065	C-6	39183-1059	E-7	42041-1408	D-12
12022-0003	B-12	13144-0019	B-9	14031-0027	B-13	21007-1242	E-7	41009-0067	D-10	42041-1428	D-12
12053-0020	D-5	13144-0020	B-9	14032-0045	B-13	21119-0050	C-6	41009-0068	D-10	42041-1429	D-12
12053-1465	B-13	13145-1094	B-10	14032-1532	B-13	21121-0015	C-7	41009-1209	D-10	42041-1447	D-12
12053-1468	D-5	13156-1493	B-11	14037-1310-RZ	C-8	21130-1077	C-7	41009-1211	D-10	42041-1448	D-12
12053-1482	B-13	13159-1067	C-3	14073-0034	B-4	220B0306	B-14	41022-0022	D-10	42041-1449	D-12
13001-0009	B-6	13161-0007	B-11	14079-1097	E-4	220B0406	B-3	41022-1118	D-10	42041-1450	D-12
13002-1099	B-6	13165-1162	B-11	14079-1139	E-6	220B0510	E-5	41022-1129	D-10	42041-1451	D-12
13003-0020	B-6	13165-1163	B-11	14090-1161	E-7	220D0408	C-4	41023-0009	D-10	43010-0003	E-5
13031-0017	B-6	13168-1747	B-3	14091-0077	B-3	220D0414	C-5	41023-1069	D-10	43015-0009	E-5
13032-0010	B-6	13183-1530	B-4	14091-0173	B-3	220D0514	C-5	41023-1074	D-10	43015-0041	E-3
13033-1062	B-6	13187-1089	B-8	14091-1523-RZ	E-6	235B0616	C-6	41024-010	D-10	43015-1674	E-3
13034-1099	B-6	13206-1061	B-7	15003-0059	C-3	27010-0022	E-7	41024-011	D-10	43020-1094	E-5
13035-1096	B-6	13234-1117	B-13	16005-0002	C-3	290P0808	B-7	41024-011	F-10	43020-1123	E-3
13037-0017	B-6	13236-0021	D-13	16014-0008	C-3	311G0600	B-11	41025-0004	D-10	43022-1010	E-3
13037-0018	B-6	13236-0070	E-3	16016-0001	C-3	32085-1323	E-11	41025-1411	F-10	43026-1075	E-3
13061-1853	B-7	13236-1266	B-13	16017-0001	C-3	32085-1323	E-9	41025-1435	D-10	43026-1086	E-5
13064-0001	B-7	13236-1346	E-3	16021-1237	C-3	32085-1361	E-4	41029-0003	D-10	43028-1067	E-3
13066-1101	B-7	13236-1393	B-11	16025-0002	C-3	32085-1386	E-6	41029-1204	D-10	43028-1092	E-5
13070-0025	E-11	13256-0002	D-14	16025-0003	C-3	32099-1138	E-7	41029-1330	D-10	43034-1110	E-3
13070-0025	E-9	13260-1752	B-9	16025-0004	C-3	32099-1168	E-7	41030-1172	F-10	43048-1068	E-6
13070-0027	E-11	13260-1754	B-9	16030-1096	C-3	32160-0123-458	D-3	41032-0002	D-10	43048-1095	E-4

This catalog covers:

'06~'08 KX125 M6F/M7F/M8F

GRID NO.

This grid covers:

L-15 Numerical Parts Index

Part No.	Grid No.	Part No.	Grid No.	Part No.	Grid No.	Part No.	Grid No.	Part No.	Grid No.	Part No.	Grid No.
43049-1060	E-4	46012-0013-10Y	E-7	54012-0139	F-3	92009-1607	B-7	92027-1838	B-13	92046-1151	D-6
43049-1060	E-6	46012-0013-D3	E-7	55020-0060-RZ	E-11	92009-1674	E-7	92027-1839	B-13	92046-1174	D-5
43049-1061	E-4	46012-0020-10Y	E-7	55020-0060-RZ	E-9	92009-1675	E-7	92027-194	C-8	92046-1190	B-8
43049-1061	E-6	46012-0020-D3	E-7	55020-0142-RZ	E-11	92009-1828	D-5	92027-1966	E-13	92046-1221	B-12
43056-1055	E-4	46012-0021-10Y	E-7	55020-0142-RZ	E-9	92009-1853	C-3	92028-1658	E-7	92046-1240	D-5
43056-1055	E-6	46012-0021-D3	E-7	55020-1488-RZ	E-6	92009-1884	E-11	92028-1732	B-9	92046-1252	B-13
43057-1001	E-4	46012-0023-10Y	E-7	550D2015	E-5	92009-1884	E-9	92033-1041	D-12	92046-1299	B-8
43057-1001	E-6	46012-0023-D3	E-7	550D3035	D-12	92009-1971	E-13	92033-1089	B-9	92046-1300	B-12
43078-1125	D-14	46019-1125	E-7	550S3020	D-7	92009-1993	D-8	92033-1209	D-14	92046-1301	D-14
43080-0006	E-4	46075-1213	E-7	551A0612	B-12	92015-1014	D-5	92033-1231	B-9	92046-1301	D-6
43080-0007	E-6	46076-0019	E-7	56030-1228	F-6	92015-1078	B-5	92033-1271	E-11	92049-002	B-13
43082-0026	E-4	46092-0007	E-7	56030-1230	F-6	92015-1078	D-5	92033-1271	E-9	92049-0027	D-6
43082-1292	E-6	46102-0009	D-14	56102-1230	F-7	92015-1143	B-3	92033-1299	C-3	92049-0039	D-14
43089-0009-829	D-14	46102-0024	E-11	56040-1157	F-6	92015-1151	B-3	92033-1329	E-11	92049-0069	D-6
43095-0046	E-5	46102-0024	E-9	56052-0368	F-9	92015-1156	B-6	92033-1329	E-9	92049-0070	E-11
43095-0060	E-3	46102-0044	D-6	56052-0887	F-9	92015-1259	B-4	92033-1335	B-6	92049-0070	E-9
43095-0286	E-3	480J1600	B-7	56067-0130	F-8	92015-1339	E-3	92036-007	B-8	92049-1207	B-13
44008-0004-828	E-11	49006-0027	E-7	56067-0131	F-8	92015-1401	D-6	92036-018	C-4	92049-1238	B-3
44008-0004-828	E-9	49006-0030	E-7	56067-0132	F-8	92015-1432	D-4	92037-1173	B-3	92049-1300	B-12
44013-0014	E-11	49006-1088	E-4	56067-0133	F-8	92015-1487	C-8	92037-1173	C-7	92049-1301	B-12
44013-0014	E-9	49006-1088	E-6	56067-0970	F-9	92015-1528	E-3	92037-1290	D-4	92049-1359	B-13
44013-0015	E-11	49006-1242	E-4	56067-0981	F-9	92015-1703	D-14	92037-147	C-4	92049-1366	B-13
44013-0015	E-9	49006-1242	E-6	56067-0982	F-9	92015-1704	D-14	92037-1474	C-4	92049-1387	B-7
44022-0006	E-11	49006-1301	E-7	56067-0983	F-9	92015-1791	D-3	92037-1589	C-8	92049-1403	D-11
44022-0006	E-9	49006-1344	E-3	56067-0984	F-9	92015-1805	E-11	92037-1610	B-12	92049-1403	F-10
44023-0011	E-11	49006-1361	B-13	56070-3799	F-6	92015-1805	E-9	92038-001	C-6	92049-1413	B-12
44023-0011	E-9	49016-1044	E-3	56070-3799	F-7	92015-1861	D-3	92042-007	B-12	92049-1414	B-12
44026-0009	E-11	49047-1110	B-10	56071-0028	F-7	92015-1904	B-5	92043-0004	E-5	92049-1614	D-12
44026-0009	E-9	49047-1111	B-10	56071-0029	F-7	92015-1962	E-7	92043-0033	B-3	92051-005	B-12
44026-0011	E-11	49085-1070	C-8	58029-0003-266	F-11	92019-008	E-7	92043-0041	D-7	92055-0001	C-4
44026-0011	E-9	49085-1073	C-8	59051-1405	B-7	92022-1028	E-5	92043-1256	B-13	92055-0078	E-13
44026-1768	E-11	49089-1150-290	C-8	59051-1406	B-7	92022-1088	E-7	92043-1293	B-13	92055-055	B-9
44026-1768	E-9	49089-1151-290	C-8	59051-1408	B-13	92022-1380	B-13	92043-1507	E-6	92055-086	B-12
44028-0001	E-11	49091-0001	E-3	59091-1102	E-7	92022-1601	E-5	92043-1508	E-6	92055-086	B-6
44028-0001	E-9	49091-0001	E-5	59231-1096	E-13	92022-1690	E-13	92043-1676	B-11	92055-1076	C-4
44028-1104	E-11	49111-1051	B-13	59256-1065	B-13	92022-1737	E-7	92045-0043	B-12	92055-1105	C-4
44028-1104	E-9	49114-1058	B-13	600A0800	B-7	92022-1814	E-3	92045-0060	D-4	92055-1343	B-13
44037-0031-10Y	E-11	49114-1104	B-13	600A1000	B-14	92022-1827	B-11	92045-1009	D-4	92055-1346	D-14
44037-0031-D3	E-9	49116-0004	E-11	600A1000	B-8	92022-1829	D-7	92045-1123	B-12	92055-1383	D-14
44039-0017-10Y	E-11	49116-0004	E-9	610A0408	B-10	92022-1831	B-6	92045-1123	B-13	92055-1441	E-11
44039-0017-D3	E-9	49123-0001	C-3	610A0408	B-14	92022-237	B-5	92045-1209	B-12	92055-1441	E-9
44065-0006	E-11	51001-0033-6Z	E-13	610A0408	B-3	92022-250	E-11	92045-1284	D-11	92055-1442	E-11
44065-0006	E-9	51023-0020	E-13	670B2012	D-13	92022-250	E-9	92045-1284	F-10	92055-1442	E-9
44065-1140	E-11	51044-0023	E-13	670E3045	B-5	92022-255	B-9	92045-1298	B-12	92055-1547	E-11
44065-1140	E-9	51048-0014	E-13	92002-1955	D-14	92022-276	C-6	92045-1305	B-13	92055-1547	E-9
44071-0306-828	E-11	51048-1124	E-13	92004-1110	B-3	92022-304	B-13	92045-1334	B-12	92055-1548	E-11
44071-0307-828	E-11	510A5100	B-6	92004-1252	B-12	92026-1217	B-11	92045-1335	B-12	92055-1548	E-9
44075-0101-828	E-9	52005-0019	B-13	92005-1127	B-12	92026-1238	B-13	92045-1345	B-12	92055-1677	E-10
45014-5016	D-14	53066-0094-336	E-14	92009-1014	B-12	92026-1501	B-13	92045-1432	B-12	92055-1677	E-12
46003-0077	E-7	54011-0043	F-3	92009-1458	E-3	92026-1546	B-6	92045-1446	D-12	92055-1678	B-3

This catalog covers:

'06~'08 KX125 M6F/M7F/M8F

GRID NO.

L-16

This grid covers:

Numerical Parts Index

Part No.	Grid No.	Part No.	Grid No.	Part No.	Grid No.	Part No.	Grid No.	Part No.	Grid No.	Part No.	Grid No.
92055-1679	B-3	92143-1867	D-5	92152-0108	D-6	92153-0936	E-12	92200-1209	B-7		
92057-1541	D-12	92144-1721	E-4	92152-0189	B-9	92153-0936	E-6	92200-1548	B-8		
92058-1074	D-12	92144-1752	D-13	92152-0211	D-4	92153-0950	D-8	92200-1621	B-8		
92059-1946	B-12	92144-1819	E-6	92152-0275	B-4	92153-0974	D-13	92200-1623	D-12		
92062-3711	B-3	92145-0013-8V	D-14	92152-0324	D-11	92153-1123	B-8	92210-0065	D-11		
92063-0001	C-4	92145-0014-8V	D-14	92152-1137	D-5	92153-1259	D-4	92210-0066	E-10		
92063-035	C-4	92145-0015-8V	D-14	92152-1139	D-6	92153-1308	E-14	92210-0066	E-12		
92063-1472	C-4	92145-0064	B-11	92152-1305	C-4	92153-1458	D-6	92210-0142	B-8		
92063-1473	C-4	92145-1340	B-5	92152-1346	E-13	92153-1790	D-3	92210-0159	D-12		
92063-1474	C-4	92145-1401	C-4	92152-1407	B-5	92160-1196	B-4	92210-0167	E-8		
92063-1475	C-4	92145-1466	D-7	92152-1414	B-11	92160-1201	B-5	92210-0179	D-5		
92064-1214	C-4	92145-1467	D-7	92152-1419	B-11	92160-1913	B-5	92210-0285	D-5		
92064-1215	C-4	92145-1487	B-8	92152-1421	C-6	92161-0113	E-8	92210-1080	D-4		
92064-1216	C-4	92145-1490	B-11	92152-1422	D-8	92161-1172	D-14	92210-1080	D-6		
92064-1217	C-4	92145-1491	B-3	92152-1427	D-12	92161-1184	D-10	92210-1177	E-10		
92064-1218	C-4	92145-1493	B-11	92152-1472	F-10	92161-1279	E-13	92210-1177	E-12		
92065-058	B-12	92150-1125	D-4	92152-1473	D-12	92161-1280	E-13	92210-1184	D-6		
92066-0026-6Z	D-6	92150-1214	D-4	92153-0025	C-4	92161-1290	B-5	92210-1352	D-8		
92066-1437	B-12	92150-1451	E-3	92153-0407	D-6	92161-1291	E-13	92210-1411	D-12		
92070-0010	C-7	92150-1452	E-3	92153-0484	E-10	92170-1283	C-8	99946-1029-02	F-12		
92070-1275	C-7	92150-1559	E-7	92153-0484	E-12	92170-1514	C-4	99950-1034-02	F-12		
92070-1276	C-7	92150-1565	B-4	92153-0502	D-8	92170-1555	B-12	99951-1020-02	F-12		
92070-1277	C-7	92150-1571	D-6	92153-0503	B-5	92171-0012	C-8	99953-1001-05	F-12		
92072-0055	E-7	92150-1673	B-7	92153-0503	C-8	92171-0149	C-4	99954-1003-05	F-12		
92072-1229	E-13	92150-1691	E-4	92153-0503	D-4	92171-0235	E-3	99955-1002-05	F-12		
92072-1293	D-4	92150-1692	E-6	92153-0503	F-11	92171-0291	E-3	99976-1254	F-12		
92075-1138	C-6	92150-1760	D-3	92153-0517	E-4	92171-0414	E-10	99976-1312	F-12		
92075-1787	E-13	92150-1811	E-6	92153-0530	B-10	92171-0414	E-12	99976-1387	F-12		
92075-209	C-8	92150-1888	B-14	92153-0542	B-12	92171-1066	B-4	99976-1388	F-12		
92081-020	B-7	92150-1888	B-3	92153-0614	D-4	92171-1105	C-4				
92081-1153	C-4	92150-1978	D-12	92153-0615	D-4	92171-1279	D-4				
92081-122	B-7	92151-1131	B-12	92153-0620	D-5	92171-1355	C-4				
92081-1768	B-7	92151-1132	B-12	92153-0626	C-6	92171-1423	F-3				
92093-1363	B-5	92151-1132	B-14	92153-0627	E-3	92172-0086	B-12				
92093-1434	D-5	92151-1133	D-5	92153-0627	E-5	92172-0119	D-5				
92093-1435	D-5	92151-1134	B-5	92153-0689	E-10	92172-1064	E-5				
92093-1436	D-6	92151-1234	B-12	92153-0689	E-12	92190-1488	D-13				
92093-1566	E-10	92151-1234	B-5	92153-0695	B-3	92191-0002	C-4				
92093-1566	E-12	92151-1234	D-5	92153-0773	E-8	92191-1211	C-8				
92104-0004	F-5	92151-1311	C-4	92153-0807	E-8	92191-1692	B-3				
92104-002	F-5	92151-1311	C-7	92153-0808	E-8	92192-0086	C-4				
92104-1065	F-5	92151-1423	D-8	92153-0828	D-6	92192-0087	C-4				
92110-1200	F-5	92151-1423	E-5	92153-0860	B-14	92192-0088	C-4				
92116-1069	D-3	92151-1537	E-7	92153-0862	B-12	92192-0234	C-4				
92116-1076	D-3	92151-1799	E-4	92153-0863	B-4	92200-0045	B-8				
92122-0007	D-4	92151-1822	B-5	92153-0863	B-5	92200-0067	E-10				
92139-1077	B-8	92151-1930	B-11	92153-0863	F-4	92200-0067	E-12				
92143-1087	D-8	92151-1930	B-14	92153-0864	C-8	92200-0202	D-5				
92143-1196	F-4	92151-1930	E-13	92153-0933	B-3	92200-0285	D-5				
92143-1676	D-5	92152-0028	D-11	92153-0936	E-10	92200-1178	B-8				

This catalog covers:

'06~'08 KX125 M6F/M7F/M8F

GRID NO.

B-16

This grid covers:

Part Name Index

Accessory.....	F-11
Air Cleaner.....	B-4
Brake Pedal.....	D-13
Cables.....	F-3
Carburetor.....	C-3/C-4/C-5
Clutch.....	B-8
Crankcase.....	B-12
Crankshaft.....	B-6
Cylinder.....	B-3
Cylinder Head.....	B-3
Decals(M6F).....	F-8
Decals(M7F/M8F).....	F-9
Engine Cover(s).....	B-13/B-14
Fenders.....	D-8
Footrests.....	D-7
Frame.....	D-3
Frame Fittings.....	D-4
Front Brake.....	E-4
Front Fork(M6F).....	E-10/E-9
Front Fork(M7F/M8F).....	E-11/E-12
Front Hub.....	D-11
Front Master Cylinder.....	E-3
Fuel Tank.....	E-13
Gear Change Drum.....	B-10

Gear Change Mechanism.....	B-11
Generator.....	C-6
Handlebar.....	E-7/E-8
Ignition System.....	C-7
Kickstarter Mechanism.....	B-7
Labels(M6F/M7F).....	F-6
Labels(M8F).....	F-7
Manual(EU).....	F-12
Muffler(s).....	B-5
Optional Parts.....	F-10
Owner's Tools.....	F-5
Piston(s).....	B-6
Radiator.....	C-8
Rear Brake.....	E-6
Rear Hub.....	D-12
Rear Master Cylinder.....	E-5
Seat.....	E-14
Shift Fork(s).....	B-10
Shock Absorber(s).....	D-14
Side Covers.....	F-4
Stand(s).....	D-9
Suspension.....	D-6
Swingarm.....	D-5
Tires.....	D-10
Transmission.....	B-9

This catalog covers:

'06~'08 KX125 M6F/M7F/M8F

GRID NO.

C-16

This grid covers:

Part Name Index

Accessory.....	F-11
Air Cleaner.....	B-4
Brake Pedal.....	D-13
Cables.....	F-3
Carburetor.....	C-3/C-4/C-5
Clutch.....	B-8
Crankcase.....	B-12
Crankshaft.....	B-6
Cylinder.....	B-3
Cylinder Head.....	B-3
Decals(M6F).....	F-8
Decals(M7F/M8F).....	F-9
Engine Cover(s).....	B-13/B-14
Fenders.....	D-8
Footrests.....	D-7
Frame.....	D-3
Frame Fittings.....	D-4
Front Brake.....	E-4
Front Fork(M6F).....	E-10/E-9
Front Fork(M7F/M8F).....	E-11/E-12
Front Hub.....	D-11
Front Master Cylinder.....	E-3
Fuel Tank.....	E-13
Gear Change Drum.....	B-10

Gear Change Mechanism.....	B-11
Generator.....	C-6
Handlebar.....	E-7/E-8
Ignition System.....	C-7
Kickstarter Mechanism.....	B-7
Labels(M6F/M7F).....	F-6
Labels(M8F).....	F-7
Manual(EU).....	F-12
Muffler(s).....	B-5
Optional Parts.....	F-10
Owner's Tools.....	F-5
Piston(s).....	B-6
Radiator.....	C-8
Rear Brake.....	E-6
Rear Hub.....	D-12
Rear Master Cylinder.....	E-5
Seat.....	E-14
Shift Fork(s).....	B-10
Shock Absorber(s).....	D-14
Side Covers.....	F-4
Stand(s).....	D-9
Suspension.....	D-6
Swingarm.....	D-5
Tires.....	D-10
Transmission.....	B-9

This catalog covers:

'06~'08 KX125 M6F/M7F/M8F

GRID NO.

D-16

This grid covers:

Part Name Index

Accessory.....	F-11
Air Cleaner.....	B-4
Brake Pedal.....	D-13
Cables.....	F-3
Carburetor.....	C-3/C-4/C-5
Clutch.....	B-8
Crankcase.....	B-12
Crankshaft.....	B-6
Cylinder.....	B-3
Cylinder Head.....	B-3
Decals(M6F).....	F-8
Decals(M7F/M8F).....	F-9
Engine Cover(s).....	B-13/B-14
Fenders.....	D-8
Footrests.....	D-7
Frame.....	D-3
Frame Fittings.....	D-4
Front Brake.....	E-4
Front Fork(M6F).....	E-10/E-9
Front Fork(M7F/M8F).....	E-11/E-12
Front Hub.....	D-11
Front Master Cylinder.....	E-3
Fuel Tank.....	E-13
Gear Change Drum.....	B-10

Gear Change Mechanism.....	B-11
Generator.....	C-6
Handlebar.....	E-7/E-8
Ignition System.....	C-7
Kickstarter Mechanism.....	B-7
Labels(M6F/M7F).....	F-6
Labels(M8F).....	F-7
Manual(EU).....	F-12
Muffler(s).....	B-5
Optional Parts.....	F-10
Owner's Tools.....	F-5
Piston(s).....	B-6
Radiator.....	C-8
Rear Brake.....	E-6
Rear Hub.....	D-12
Rear Master Cylinder.....	E-5
Seat.....	E-14
Shift Fork(s).....	B-10
Shock Absorber(s).....	D-14
Side Covers.....	F-4
Stand(s).....	D-9
Suspension.....	D-6
Swingarm.....	D-5
Tires.....	D-10
Transmission.....	B-9

This catalog covers:

'06~'08 KX125 M6F/M7F/M8F

GRID NO.

E-16

This grid covers:

Part Name Index

Accessory.....	F-11
Air Cleaner.....	B-4
Brake Pedal.....	D-13
Cables.....	F-3
Carburetor.....	C-3/C-4/C-5
Clutch.....	B-8
Crankcase.....	B-12
Crankshaft.....	B-6
Cylinder.....	B-3
Cylinder Head.....	B-3
Decals(M6F).....	F-8
Decals(M7F/M8F).....	F-9
Engine Cover(s).....	B-13/B-14
Fenders.....	D-8
Footrests.....	D-7
Frame.....	D-3
Frame Fittings.....	D-4
Front Brake.....	E-4
Front Fork(M6F).....	E-10/E-9
Front Fork(M7F/M8F).....	E-11/E-12
Front Hub.....	D-11
Front Master Cylinder.....	E-3
Fuel Tank.....	E-13
Gear Change Drum.....	B-10

Gear Change Mechanism.....	B-11
Generator.....	C-6
Handlebar.....	E-7/E-8
Ignition System.....	C-7
Kickstarter Mechanism.....	B-7
Labels(M6F/M7F).....	F-6
Labels(M8F).....	F-7
Manual(EU).....	F-12
Muffler(s).....	B-5
Optional Parts.....	F-10
Owner's Tools.....	F-5
Piston(s).....	B-6
Radiator.....	C-8
Rear Brake.....	E-6
Rear Hub.....	D-12
Rear Master Cylinder.....	E-5
Seat.....	E-14
Shift Fork(s).....	B-10
Shock Absorber(s).....	D-14
Side Covers.....	F-4
Stand(s).....	D-9
Suspension.....	D-6
Swingarm.....	D-5
Tires.....	D-10
Transmission.....	B-9

This catalog covers:

'06~'08 KX125 M6F/M7F/M8F

GRID NO.

F-16

This grid covers:

Part Name Index

Accessory.....	F-11
Air Cleaner.....	B-4
Brake Pedal.....	D-13
Cables.....	F-3
Carburetor.....	C-3/C-4/C-5
Clutch.....	B-8
Crankcase.....	B-12
Crankshaft.....	B-6
Cylinder.....	B-3
Cylinder Head.....	B-3
Decals(M6F).....	F-8
Decals(M7F/M8F).....	F-9
Engine Cover(s).....	B-13/B-14
Fenders.....	D-8
Footrests.....	D-7
Frame.....	D-3
Frame Fittings.....	D-4
Front Brake.....	E-4
Front Fork(M6F).....	E-10/E-9
Front Fork(M7F/M8F).....	E-11/E-12
Front Hub.....	D-11
Front Master Cylinder.....	E-3
Fuel Tank.....	E-13
Gear Change Drum.....	B-10

Gear Change Mechanism.....	B-11
Generator.....	C-6
Handlebar.....	E-7/E-8
Ignition System.....	C-7
Kickstarter Mechanism.....	B-7
Labels(M6F/M7F).....	F-6
Labels(M8F).....	F-7
Manual(EU).....	F-12
Muffler(s).....	B-5
Optional Parts.....	F-10
Owner's Tools.....	F-5
Piston(s).....	B-6
Radiator.....	C-8
Rear Brake.....	E-6
Rear Hub.....	D-12
Rear Master Cylinder.....	E-5
Seat.....	E-14
Shift Fork(s).....	B-10
Shock Absorber(s).....	D-14
Side Covers.....	F-4
Stand(s).....	D-9
Suspension.....	D-6
Swingarm.....	D-5
Tires.....	D-10
Transmission.....	B-9