

This catalog covers:

'08~'10 KLX450 A8F/A9F/AAF

GRID NO.

A-1

This grid covers:

Title



PARTS CATALOG

'08~'10 KLX450 A8F/A9F/AAF

(KLX450R)

Publications	A-2
Model Identification	A-4
Engine	B-1
Chassis	E-1

© Kawasaki Heavy Industries, Ltd. 2009

Engine No. Location:
LH crankcase, lower rear

Year & Model

Color

VIN No. Range

Engine No. Range

'08 KLX450A8F

1. Lime Green (777)

JKALX450AAA000001 ~ 010000

LX450AE000001 ~

'09 KLX450A9F

1. Lime Green (777)

JKALX450AAA010001 ~ 013000

LX450AE000001 ~

'10 KLX450AAF

1. Lime Green (777)

JKALX450AAA013001 ~

LX450AE000001 ~

This catalog covers:

'08~'10 KLX450 A8F/A9F/AAF

GRID NO.

A-2

This grid covers:

Publications

Year & Model	Owner's Manual	A&P Manual		Service Manual		Microfiche
		General	Supplement	Basic	Supplement	
2008 KLX450A8F	99976-1338(EN/FR/GE) 99976-1369(IT/ES/NL)	99939-1325-02		99924-1385-01		99912-1491-04
2009 KLX450A9F	99976-1462(EN/FR/GE) 99976-1463(IT/ES/NL)	See above		99924-1385-02		See above
2010 KLX450AAF	99976-1523(EN/FR/GE) 99976-1524(IT/ES/NL)	See above		99924-1385-03		See above

This catalog covers:

'08~'10 KLX450 A8F/A9F/AAF

GRID NO.

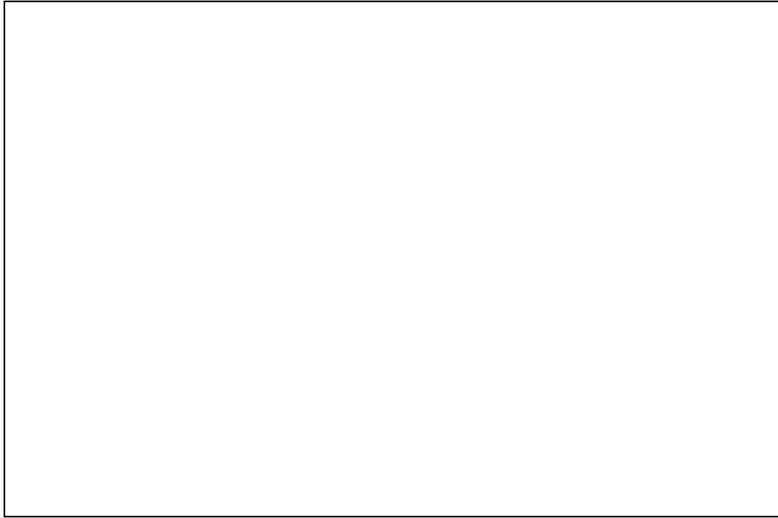
A-4

This grid covers:

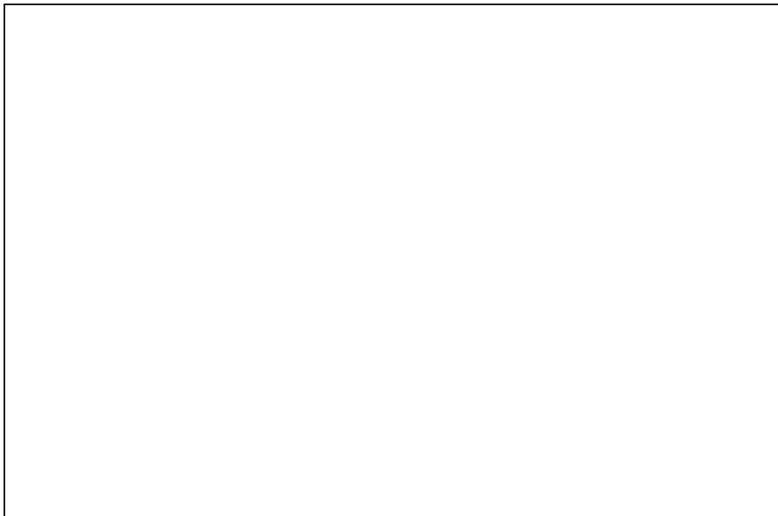
Model I.D. '08~'09 KLX450 A8F/A9F

KLX450A8F

Left Side View

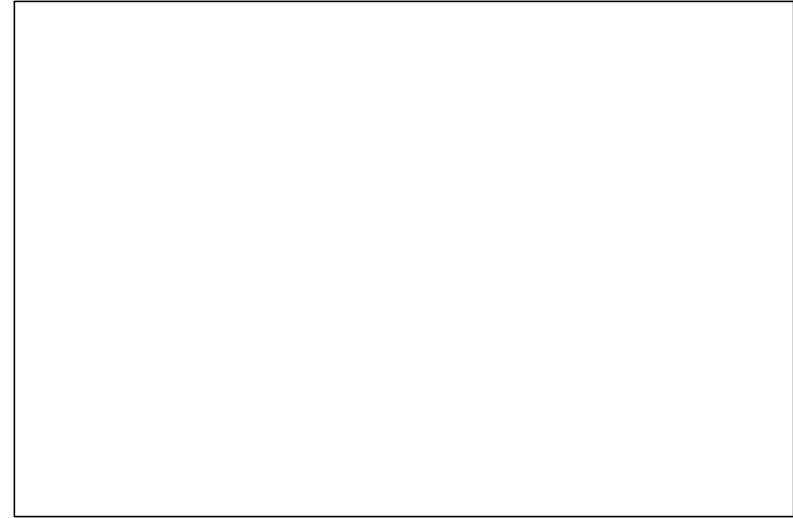


Right Side View

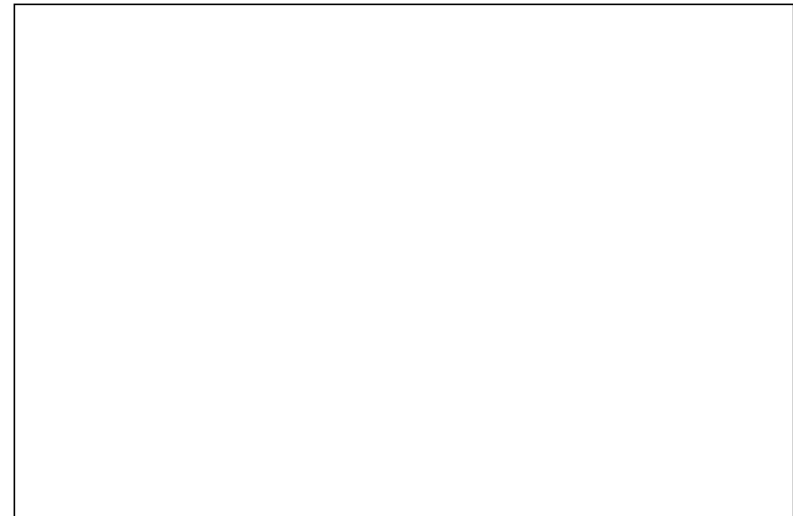


KLX450A9F

Left Side View



Right Side View



This catalog covers:

'08~'10 KLX450 A8F/A9F/AAF

GRID NO.

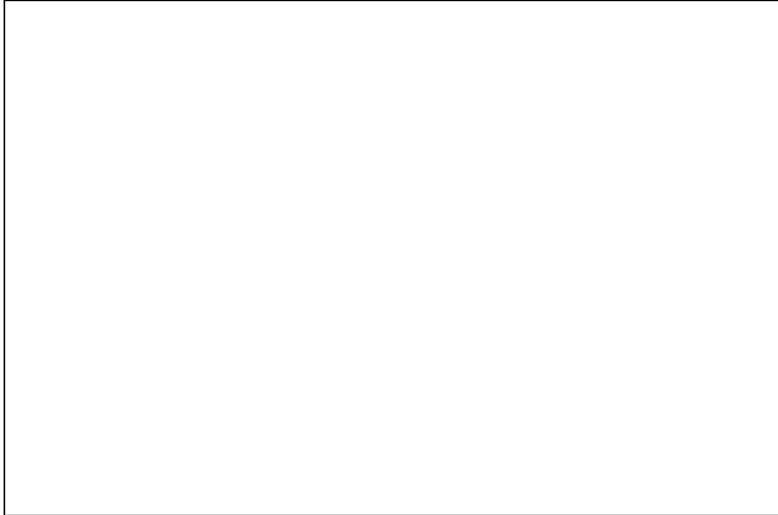
A-5

This grid covers:

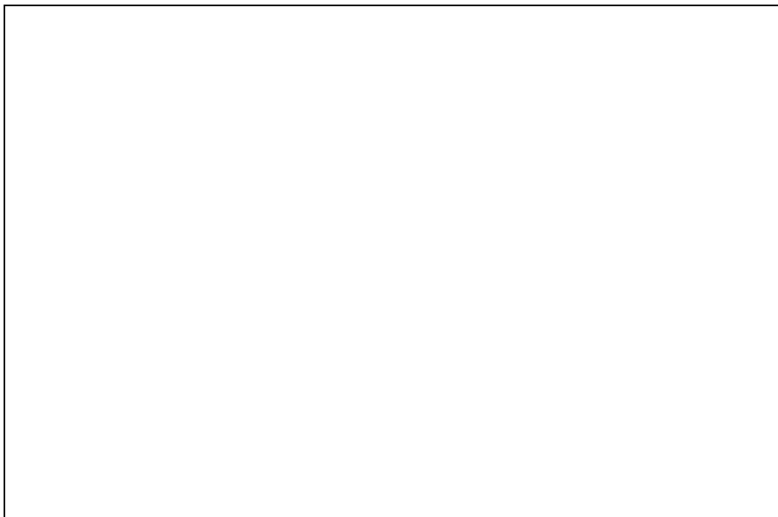
Model I.D. '10 KLX450AAF

KLX450AAF

Left Side View



Right Side View



This catalog covers:

'08~'10 KLX450 A8F/A9F/AAF Engine

GRID NO.

D-2

This grid covers:

Pictorial Index

This catalog covers:

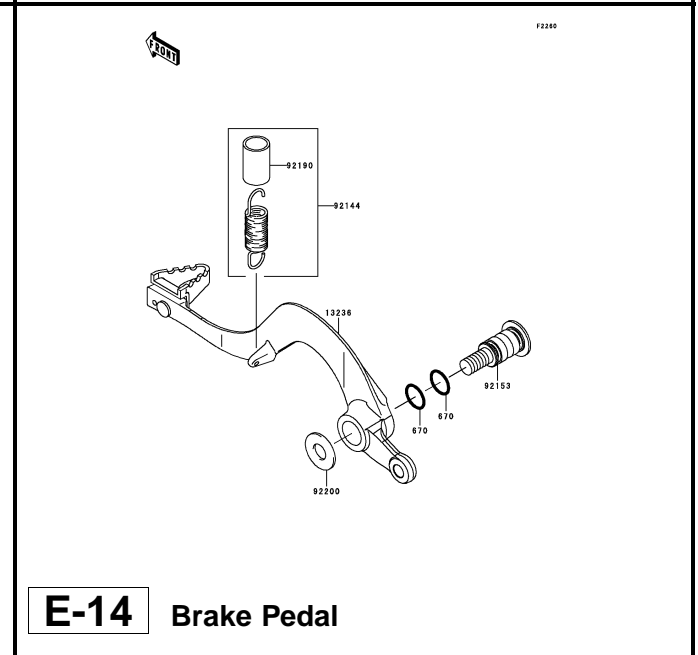
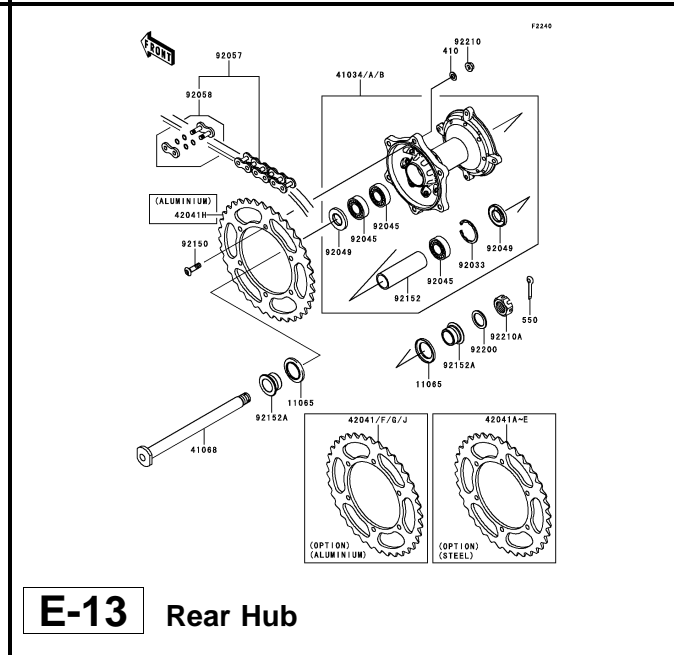
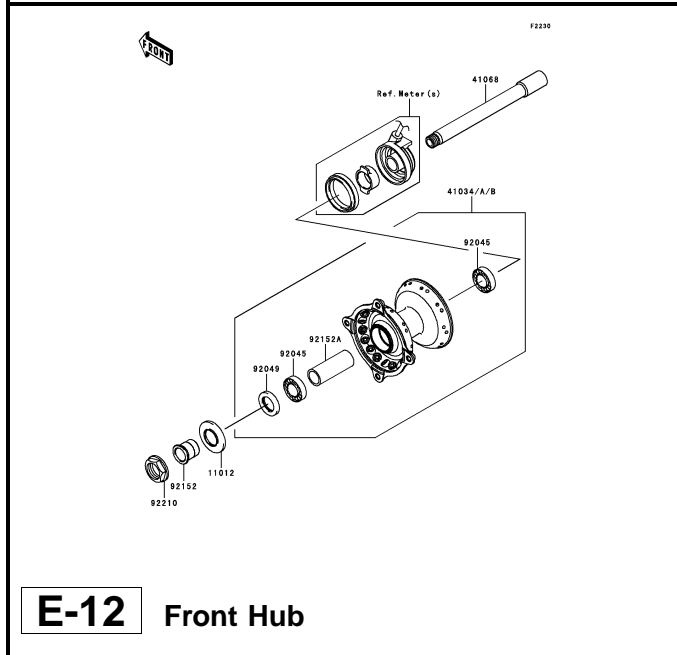
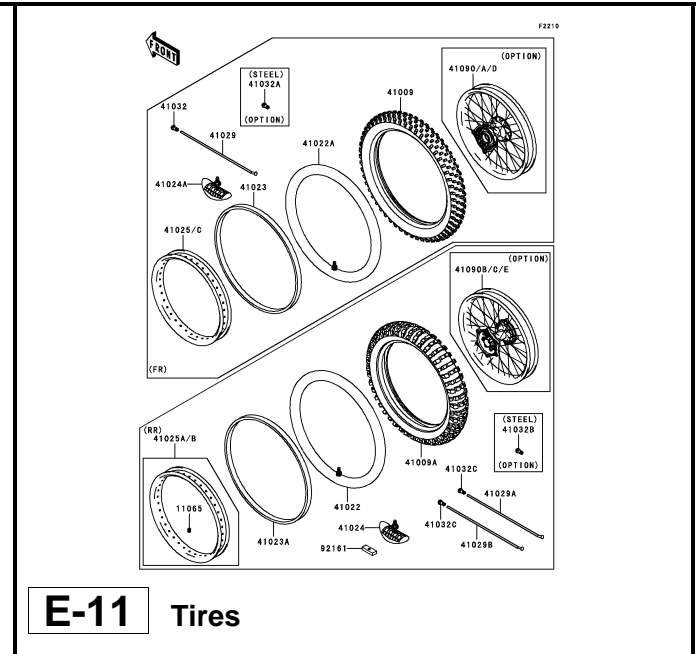
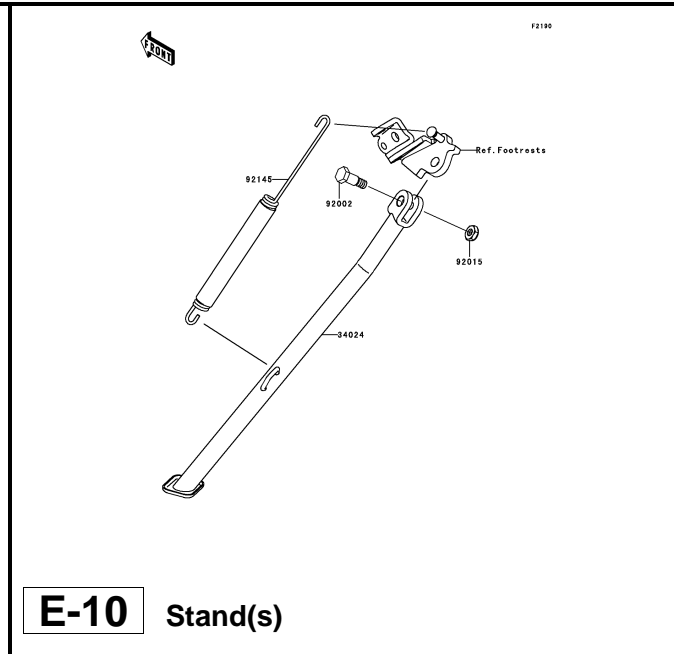
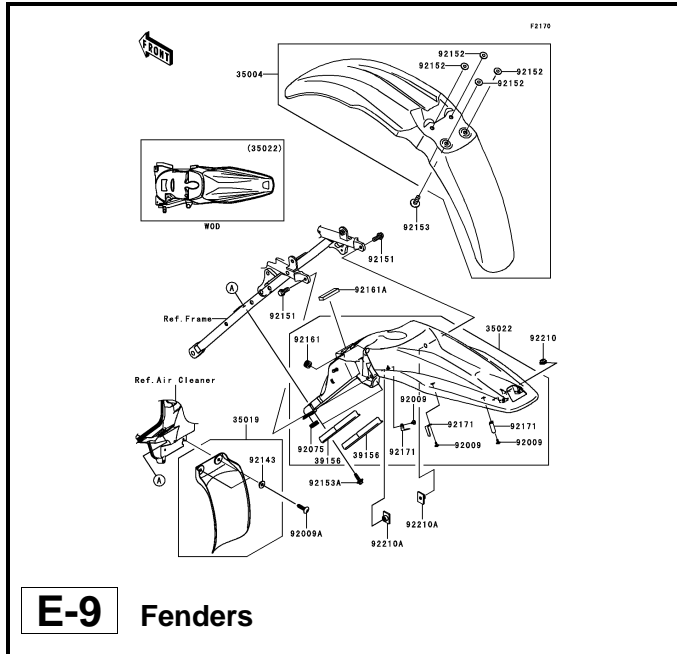
'08~'10 KLX450 A8F/A9F/AAF Chassis

GRID NO.

E-2

This grid covers:

Pictorial Index



This catalog covers:

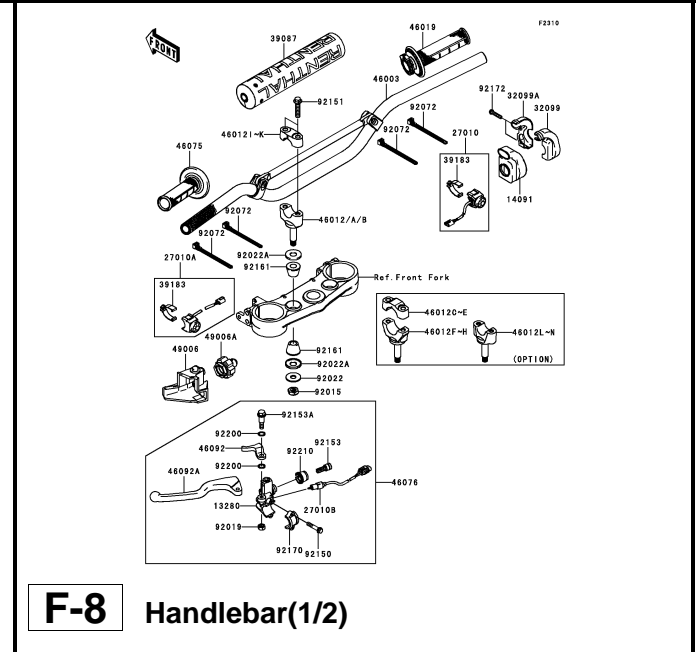
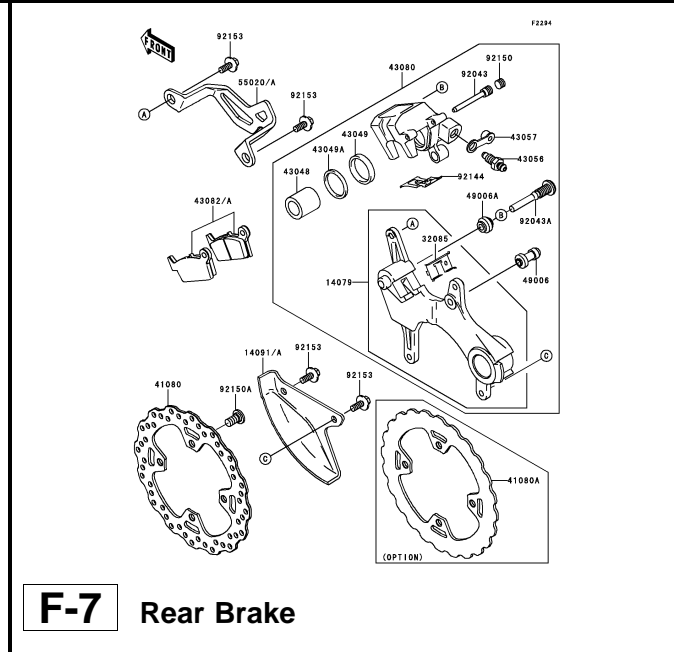
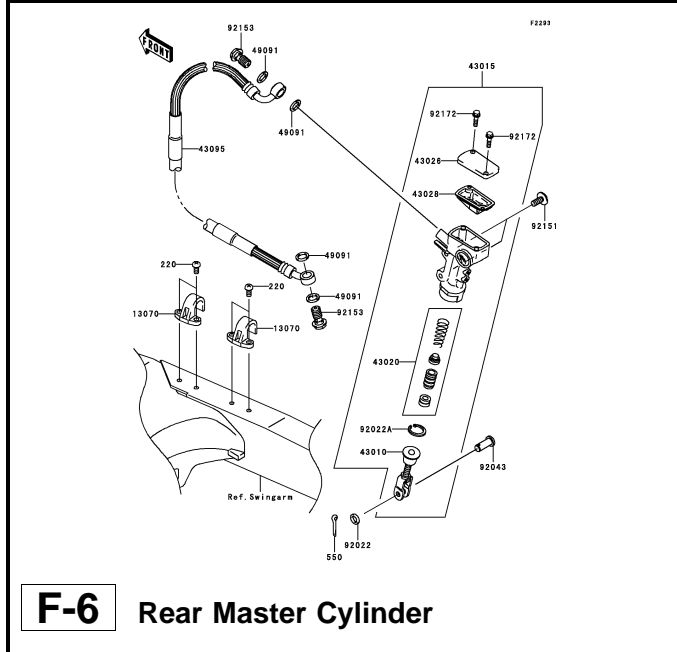
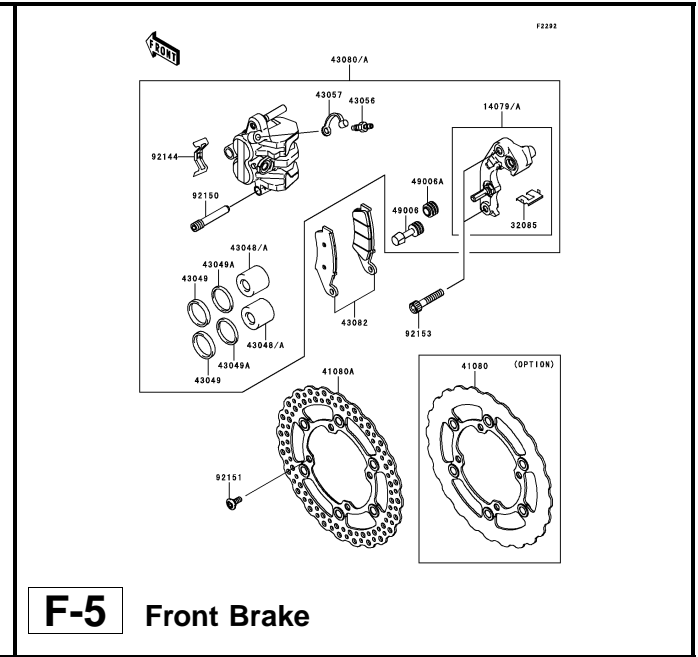
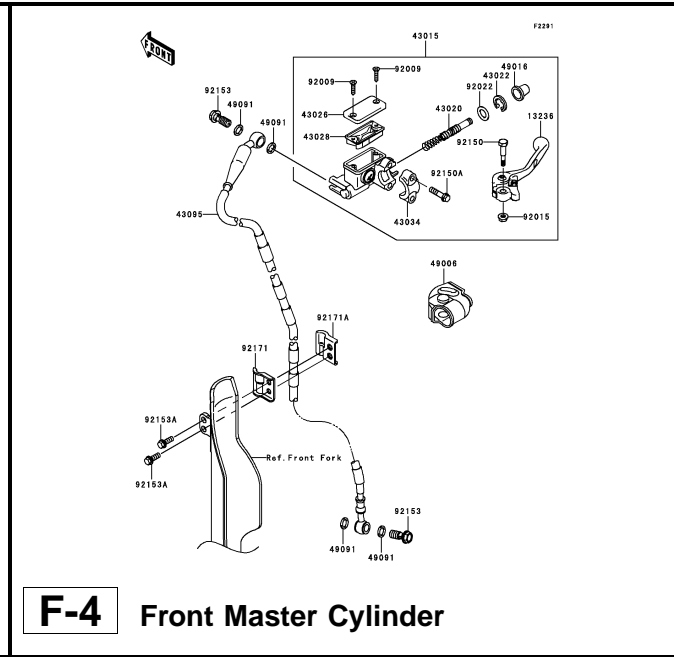
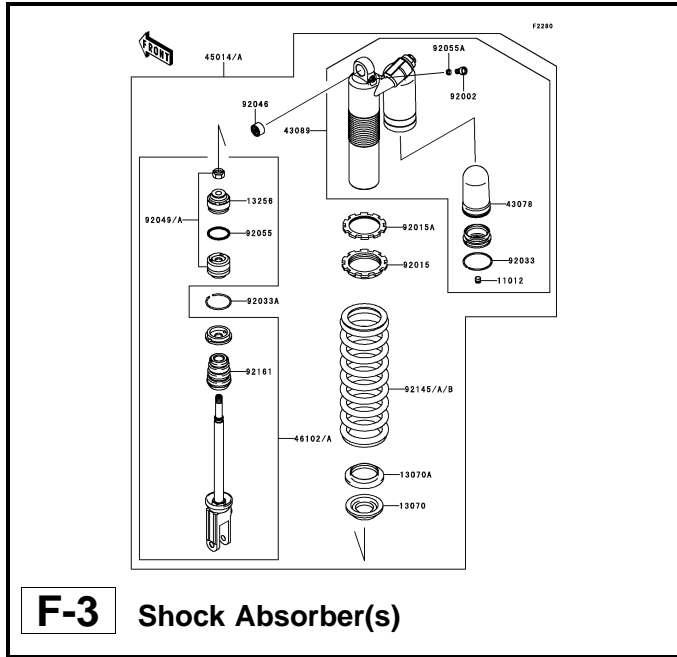
'08~'10 KLX450 A8F/A9F/AAF Chassis

GRID NO.

F-1

This grid covers:

Pictorial Index



This catalog covers:

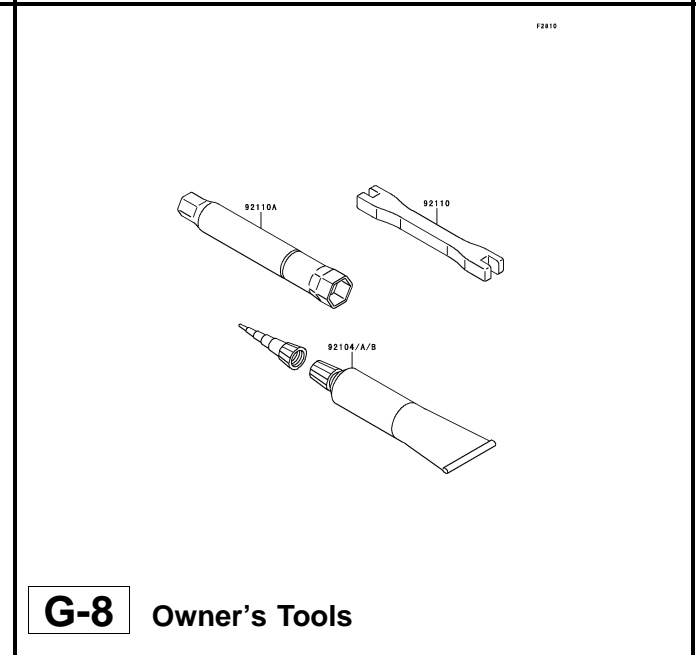
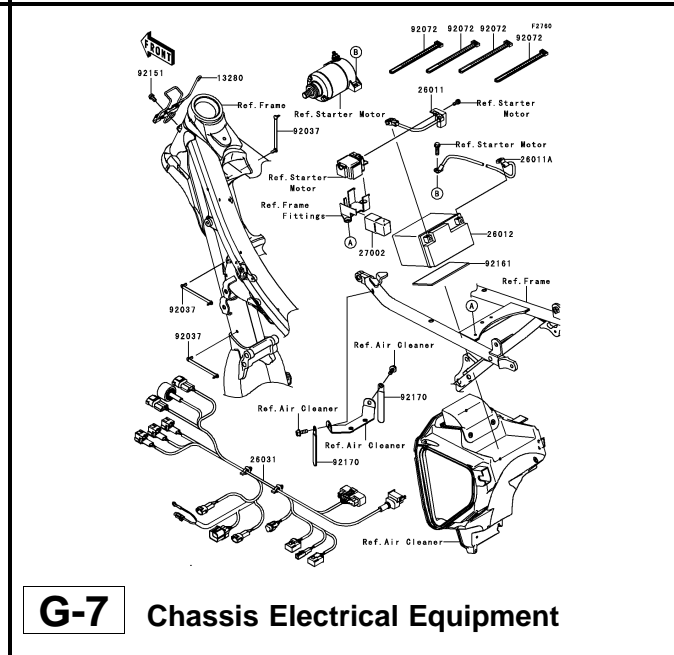
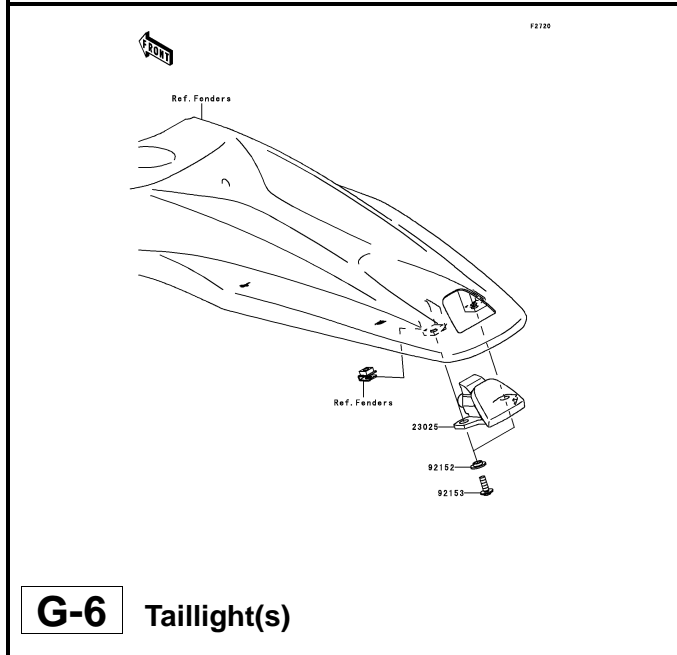
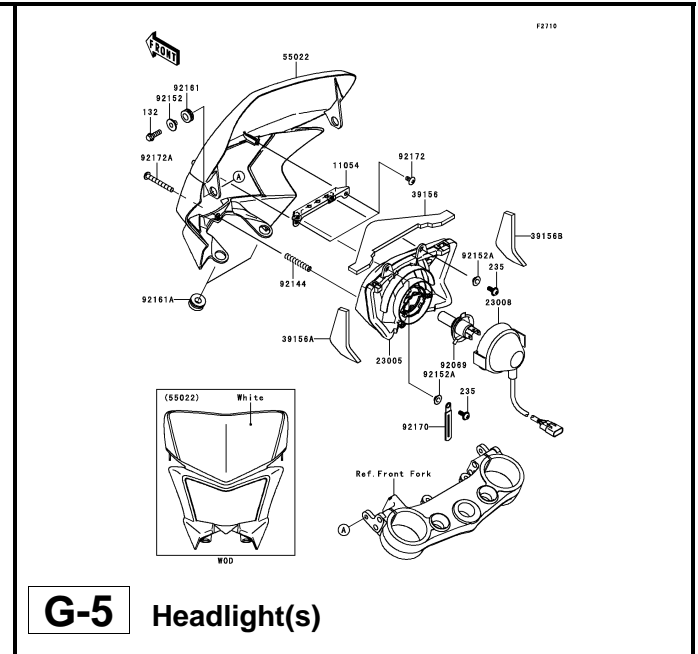
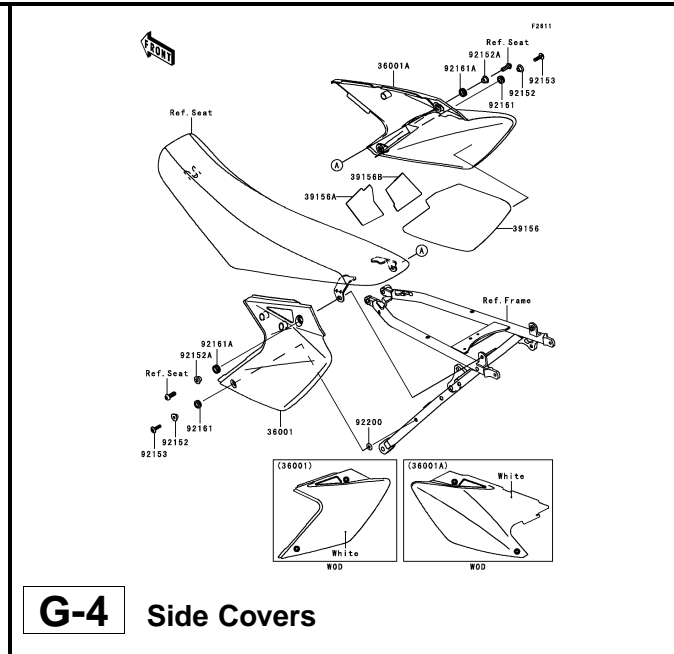
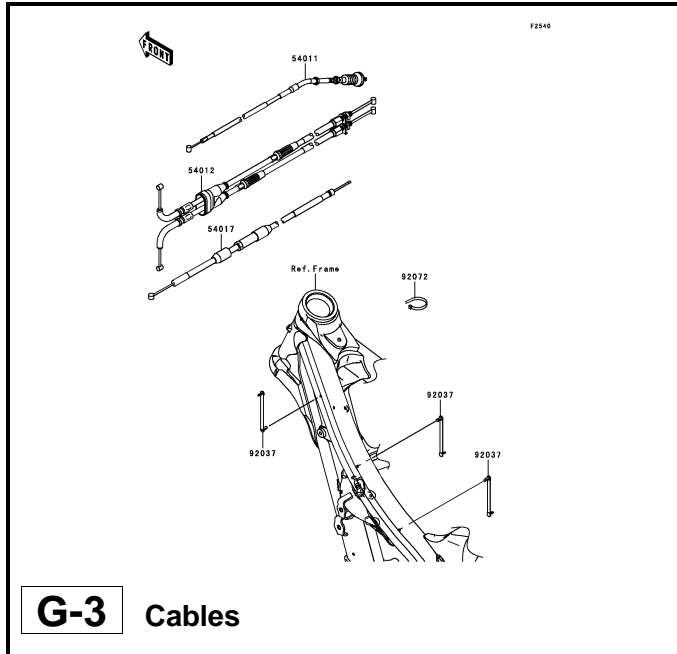
'08~'10 KLX450 A8F/A9F/AAF Chassis

GRID NO.

G-1

This grid covers:

Pictorial Index



This catalog covers:

'08~'10 KLX450 A8F/A9F/AAF Chassis

GRID NO.

G-2

This grid covers:

Pictorial Index

F2840

Ref. Fenders

56071

56070

G-9 Labels

F2861

(LH) Ref. Engine Shrouds

56052

56067

56054A

56054B

Ref. Air Cleaner

Ref. Side Covers

(RH)

56054C

Ref. Side Covers

Ref. Engine Shrouds

56052

56067A

Ref. Headlight(s)

56054

Ref. Fenders

56054

G-10 Decals(A8F)

F2861A

(LH) Ref. Engine Shrouds

56052

56068B

56068G

56068D

Ref. Air Cleaner

Ref. Side Covers

(RH)

56068E

Ref. Side Covers

Ref. Engine Shrouds

56068A

56052

56068C

Ref. Headlight(s)

56068F

Ref. Fenders

56054

G-11 Decals(A9F)

F2861B

(LH) Ref. Engine Shrouds

56054

56069

56069B

56069C

Ref. Air Cleaner

Ref. Side Covers

(RH)

56069D

Ref. Side Covers

Ref. Engine Shrouds

56054

56069A

Ref. Headlight(s)

56069

G-12 Decals(AAF)

F2820

Owner's Manual
(Local Procurement)

99976/A-E

Ref. No.	Language
(99976/B/D)	French
	German
	Italian
(99976A/C/E)	Spanish
	Dutch

A&P Manual

99939
99948
99950
99951
99952

Ref. No.	Language
(99939)	English
(99948)	German
(99950)	French
(99951)	Italian
(99952)	Spanish

Service Manual

99924
99953
99954
99955
99956

Ref. No.	Language
(99924)	English
(99953)	German
(99954)	French
(99955)	Italian
(99956)	Spanish

G-13 Manual

This catalog covers:

'08~'10 KLX450 A8F/A9F/AAF Engine

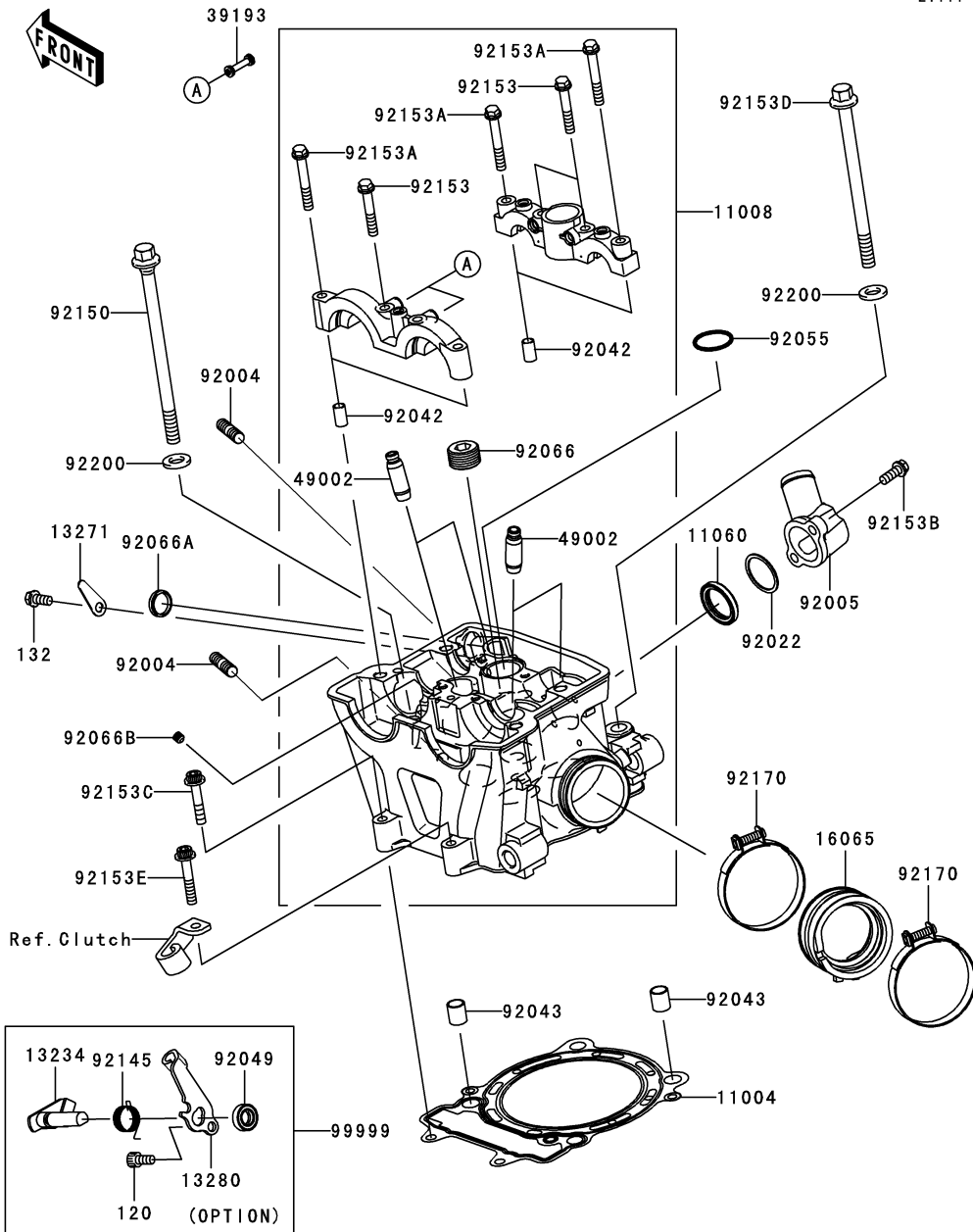
GRID NO.

B-3

This grid covers:

Cylinder Head

E1111



Ref. No.	Part No.	Description	Quantity-KLX450			
			'08	'09	'10	
			A8F	A9F	AAF	
11004	11004-0088	GASKET-HEAD	1	1	1	
11008	11008-0140	HEAD-COMP-CYLINDER	1	1	1	
11060	11060-1300	GASKET,THERMOSTAT	1	1	1	
13234	13234-0009	SHAFT-COMP,DECOMP	1	1	1	
	(OPTION)					
13271	13271-0675	PLATE	1	1	1	
13280	13280-0038	HOLDER,DECOMP	1	1	1	
	(OPTION)					
16065	16065-0050	HOLDER-CARBURETOR	1	1	1	
39193	39193-0027	PIPE-OIL	2	2	2	
49002	49002-0007	GUIDE-VALVE	AR	AR	AR	
92004	92004-0025	STUD,8X22	2	2	2	
92005	92005-0018	FITTING	1	1	1	
92022	92022-161	WASHER,25.3X30X1	1	1	1	
92042	92042-007	PIN,DOWEL,6.3X8X14	4	4	4	
92043	92043-4009	PIN,10.1X12X14	2	2	2	
92049	92049-1196	SEAL-OIL	1	1	1	
	(OPTION)					
92055	92055-0046	RING-O,23.5X2.0	1	1	1	
92066	92066-0002	PLUG,PT1/2X12.5	1	1	1	
92066A	92066-0024	PLUG,4X18	1	1	1	
92066B	92066-0068	PLUG,6X6	1	1	1	
92145	92145-0048	SPRING	1	1	1	
	(OPTION)					
92150	92150-1935	BOLT,L=140	2	2	2	
92153	92153-0338	BOLT,6X38	4	4	4	
92153A	92153-0339	BOLT,6X45	4	4	4	
92153B	92153-0695	BOLT,6X16	2	2	2	
92153C	92153-0810	BOLT,6X35	1	1	1	
92153D	92153-1001	BOLT,FLANGED-SMALL,10X127	2	2	2	
92153E	92153-1725	BOLT,SOCKET,6X40	1	1	1	
92170	92170-1448	CLAMP	2	2	2	
92200	92200-0114	WASHER,10.5X19X2.3	4	4	4	
99999	99999-0023	KIT.,MANUAL DECOMP	1	1	1	
	(OPTION)					
120	120CA0612	BOLT-SOCKET,6X12	1	1	1	
	(OPTION)					
132	132BA0612	BOLT-FLANGED-SMALL,6X12	1	1	1	

This catalog covers:

'08~'10 KLX450 A8F/A9F/AAF Engine

GRID NO.

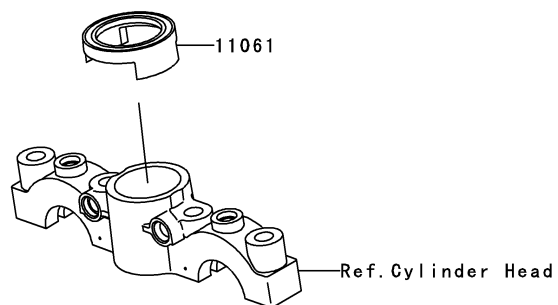
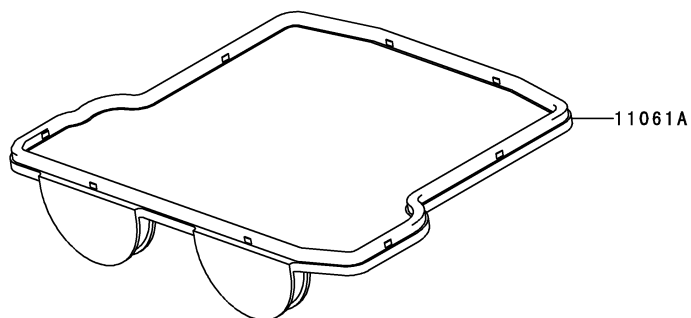
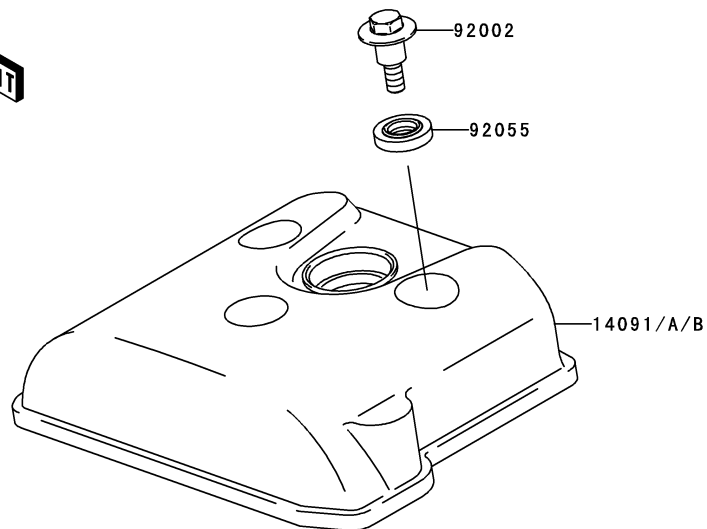
B-4

This grid covers:

Cylinder Head Cover

E1112

Ref. No.	Part No.	Description	Spec Code	Quantity-KLX450			
				'08	'09	'10	
				A8F	A9F	AAF	
11061	11061-0079	GASKET,PLUG HOLE	1	1	1		
11061A	11061-0185	GASKET,CYLINDER HEAD COVER	1	1	1		
14091	14091-0796	COVER,CYLINDER HEAD	1				
14091A	14091-0807	COVER,CYLINDER HEAD			1		
14091B	14091-1704	COVER,CYLINDER HEAD		1			
92002	92002-1327	BOLT,FLANGED,6X22.5	3	3	3		
92055	92055-1352	RING-O,HEAD COVER BOLT	3	3	3		



This catalog covers:

'08~'10 KLX450 A8F/A9F/AAF Engine

GRID NO.

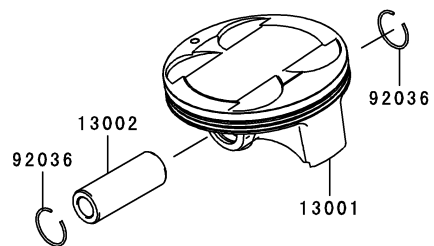
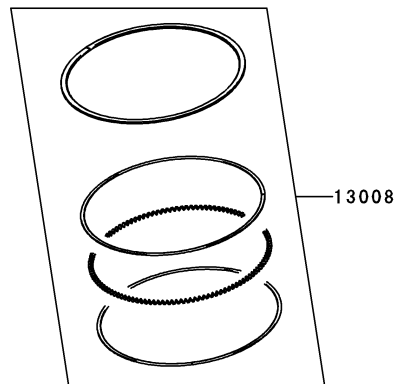
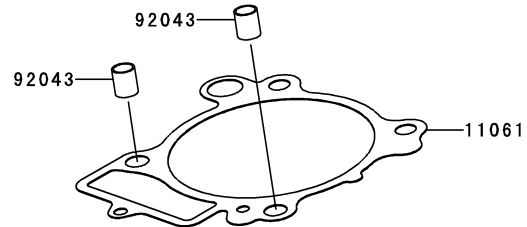
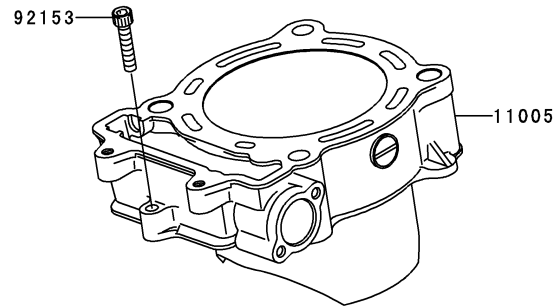
B-5

This grid covers:

Cylinder/Piston(s)

E1120

Ref. No.	Part No.	Description	Spec Code	Quantity-KLX450		
				'08	'09	'10
				A8F	A9F	AAF
11005	11005-0088	CYLINDER-ENGINE	1	1	1	
11061	11061-0160	GASKET,CYLINDER BASE	1	1	1	
13001	13001-0073	PISTON-ENGINE	1	1	1	
13002	13002-0016	PIN-PISTON	1	1	1	
13008	13008-0018	RING-SET-PISTON	1	1	1	
92036	92036-008	RING-SNAP,PISTON PIN	2	2	2	
92043	92043-4009	PIN,10.1X12X14	2	2	2	
92153	92153-0844	BOLT,6X30	1	1	1	



This catalog covers:

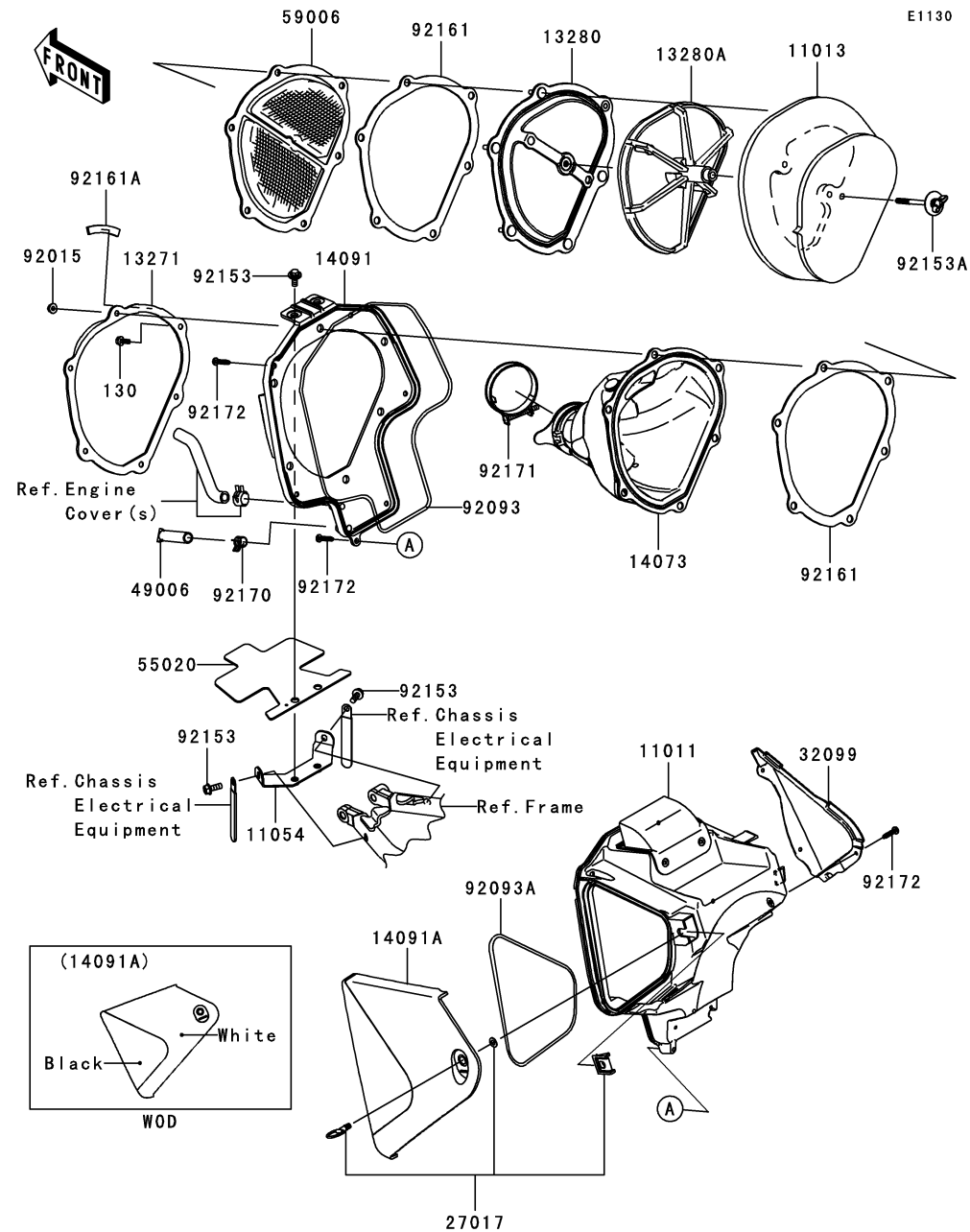
'08~'10 KLX450 A8F/A9F/AAF Engine

GRID NO.

B-6

This grid covers:

Air Cleaner(1/2)



Ref. No.	Part No.	Description	Spec Code	Quantity-KLX450		
				'08	'09	'10
				A8F	A9F	AAF
11011	11011-0106-6Z	CASE-AIR FILTER,F.BLACK	1	1	1	
11013	11013-0019	ELEMENT-AIR FILTER	1	1	1	
11054	11054-1100	BRACKET,A/C BOX	1	1	1	
13271	13271-0730	PLATE,DUCT FITTING	1	1	1	
13280	13280-0217	HOLDER,DUCT	1	1	1	
13280A	13280-0218	HOLDER,ELEMENT	1	1	1	
14073	14073-0176	DUCT,FUNNEL	1	1	1	
14091	14091-0710-6Z	COVER,F.BLACK	1	1	1	
14091A	14091-0862-17Y	COVER,LH,BLACK/WHITE	1	1	1	
27017	27017-0007	LOCK	1	1	1	
32099	32099-0028-6Z	CASE,F.BLACK	1	1	1	
49006	49006-0061	BOOT	1	1	1	
55020	55020-0391	GUARD	1	1	1	
59006	59006-0011	ARRESTER-FLAME	1	1	1	
92015	92015-1259	NUT,FLANGED,5MM	5	5	5	
92093	92093-0074	SEAL,FR COVER	1	1	1	
92093A	92093-0075	SEAL,LH COVER	1	1	1	
92153	92153-0863	BOLT,6X16	4	4	4	
92153A	92153-1756	BOLT,6X65	1	1	1	

This catalog covers:

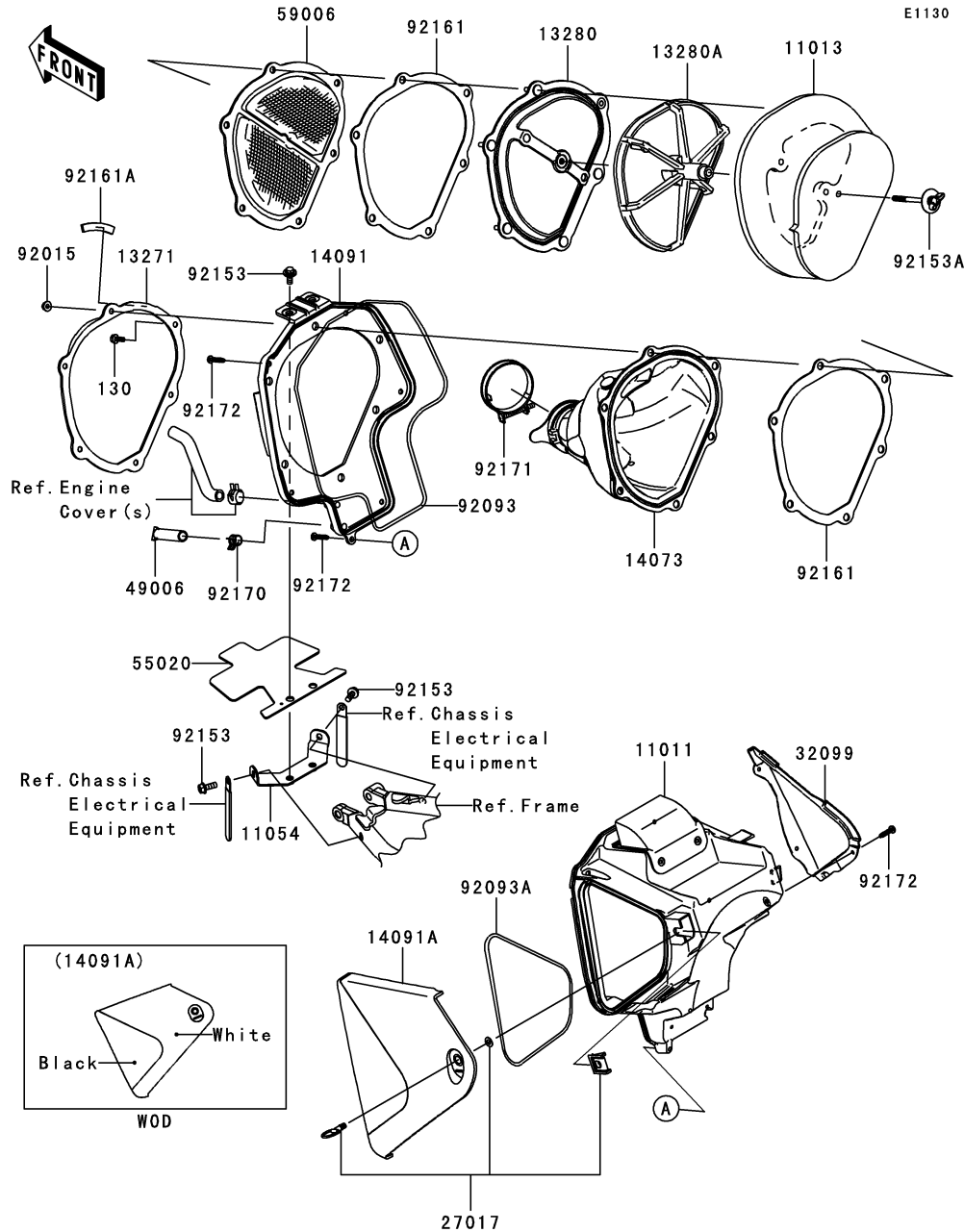
'08~'10 KLX450 A8F/A9F/AAF Engine

GRID NO.

B-7

This grid covers:

Air Cleaner(2/2)



Ref. No.	Part No.	Description	Spec Code	Quantity-KLX450		
				'08	'09	'10
				A8F	A9F	AAF
92161	92161-0213	DAMPER	2	2	2	
92161A	92161-0350	DAMPER	1	1	1	
92170	92170-1938	CLAMP	1	1	1	
92171	92171-0651	CLAMP,DUCT,62MM	1	1	1	
92172	92172-0009	SCREW,TAPPING,5X20	7	7	7	
130	130BA0512	BOLT-FLANGED,5X12	1	1	1	

This catalog covers:

'08~'10 KLX450 A8F/A9F/AAF Engine

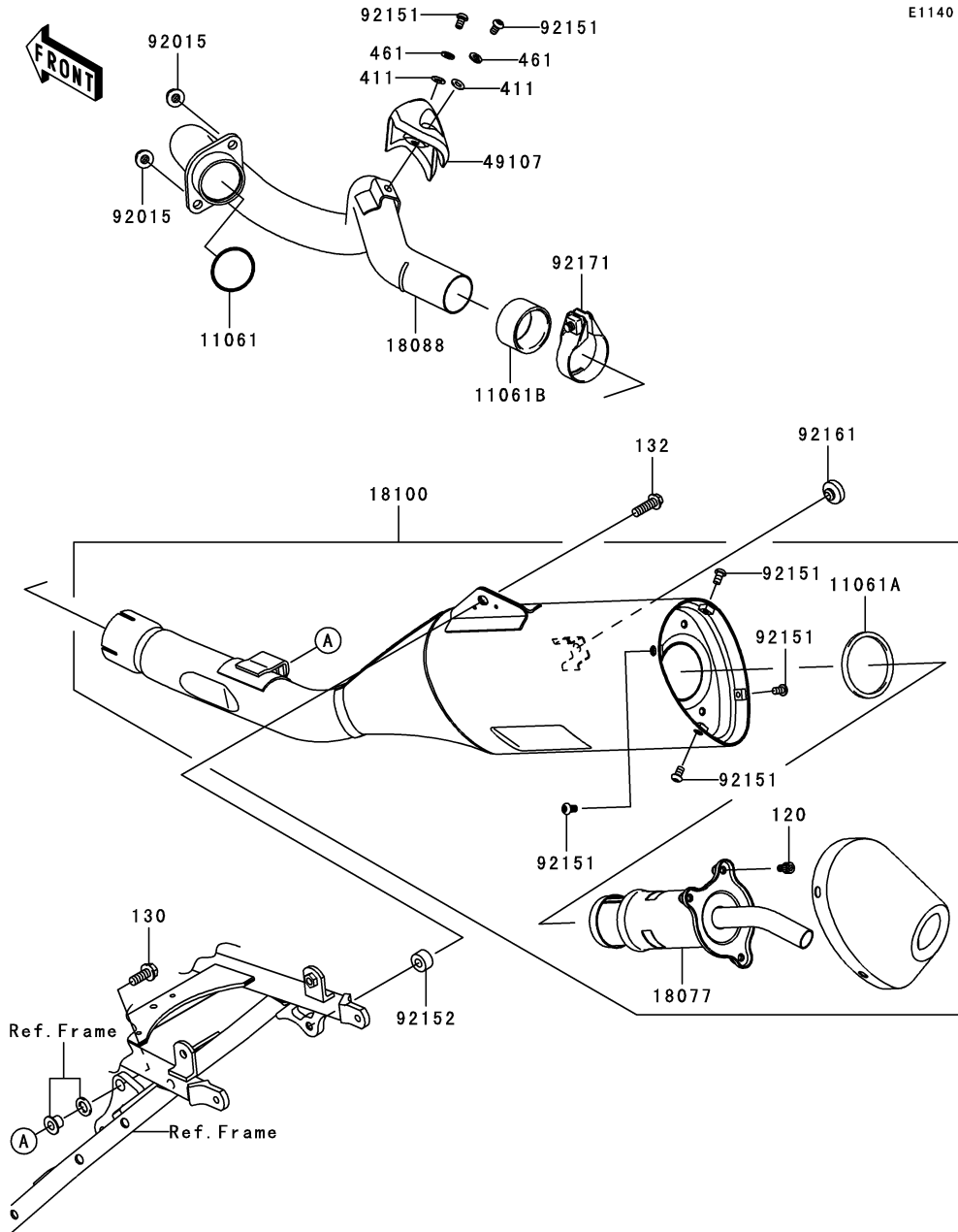
GRID NO.

B-8

This grid covers:

Muffler(s)(~JKALX450AAA006445)

E1140



Ref. No.	Part No.	Description	Spec Code	Quantity-KLX450			
				'08	'09	'10	
				A8F	A9F	AAF	
11061	11061-0082	GASKET,38.9X46.4X3.0				1	
11061A	11061-0100	GASKET				1	
11061B	11061-0285	GASKET,38.1X48.7X32				1	
18077	18077-0015	ARRESTER-SPARK				1	
18088	18088-0371	PIPE-EXHAUST				1	
18100	18100-0070	BODY-ASSY-MUFFLER				1	
49107	49107-0109	COVER-EXHAUST PIPE				1	
92015	92015-1402	NUT,8MM				2	
92151	92151-1449	BOLT,SOCKET,6X10				6	
92152	92152-3726	COLLAR				1	
92161	92161-0516	DAMPER,8X22X6				1	
92171	92171-0653	CLAMP				1	
120	120CA0610	BOLT-SOCKET,6X10				3	
130	130CA0820	BOLT-FLANGED,8X20				1	
132	132BB0825	BOLT-FLANGED-SMALL,8X25				1	
411	411S0600	WASHER-PLAIN,6MM				2	
461	461S0600	WASHER-SPRING,6MM				2	

This catalog covers:

'08~'10 KLX450 A8F/A9F/AAF Engine

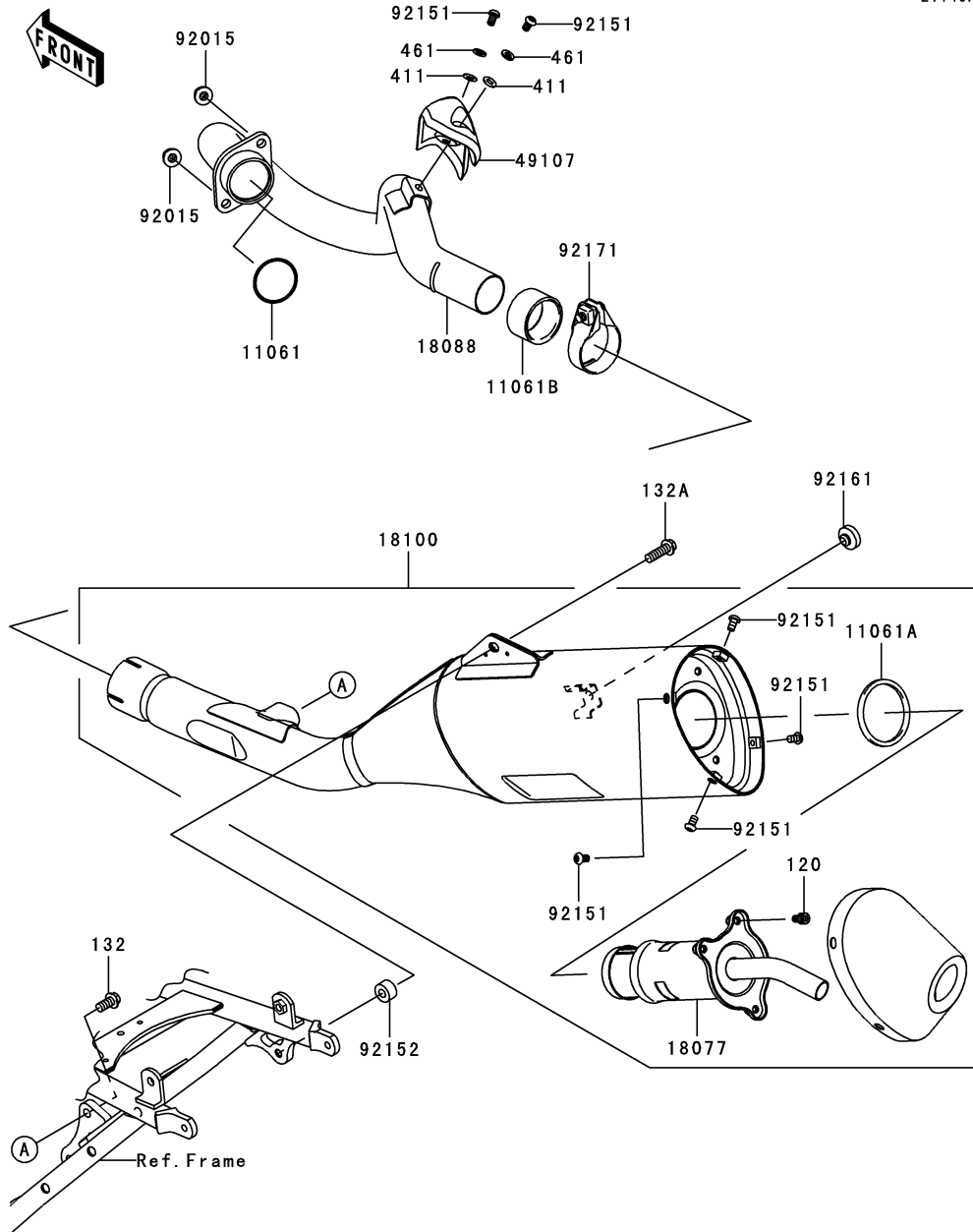
GRID NO.

B-9

This grid covers:

Muffler(s)(JKALX450AAA006446~)

E1140A



Ref. No.	Part No.	Description	Spec Code	Quantity-KLX450		
				'08	'09	'10
				A8F	A9F	AAF
11061	11061-0082	GASKET,38.9X46.4X3.0	1	1	1	
11061A	11061-0100	GASKET	1	1	1	
11061B	11061-0285	GASKET,38.1X48.7X32	1	1	1	
18077	18077-0015	ARRESTER-SPARK	1	1	1	
18088	18088-0371	PIPE-EXHAUST	1	1	1	
18100	18100-0072	BODY-ASSY-MUFFLER	1	1	1	
49107	49107-0109	COVER-EXHAUST PIPE	1	1	1	
92015	92015-1402	NUT,8MM	2	2	2	
92151	92151-1449	BOLT,SOCKET,6X10	6	6	6	
92152	92152-3726	COLLAR	1	1	1	
92161	92161-0516	DAMPER,8X22X6	1	1	1	
92171	92171-0653	CLAMP	1	1	1	
120	120CA0610	BOLT-SOCKET,6X10	3	3	3	
132	132BB0818	BOLT-FLANGED-SMALL,8X18	1	1	1	
132A	132BB0825	BOLT-FLANGED-SMALL,8X25	1	1	1	
411	411S0600	WASHER-PLAIN,6MM	2	2	2	
461	461S0600	WASHER-SPRING,6MM	2	2	2	

This catalog covers:

'08~'10 KLX450 A8F/A9F/AAF Engine

GRID NO.

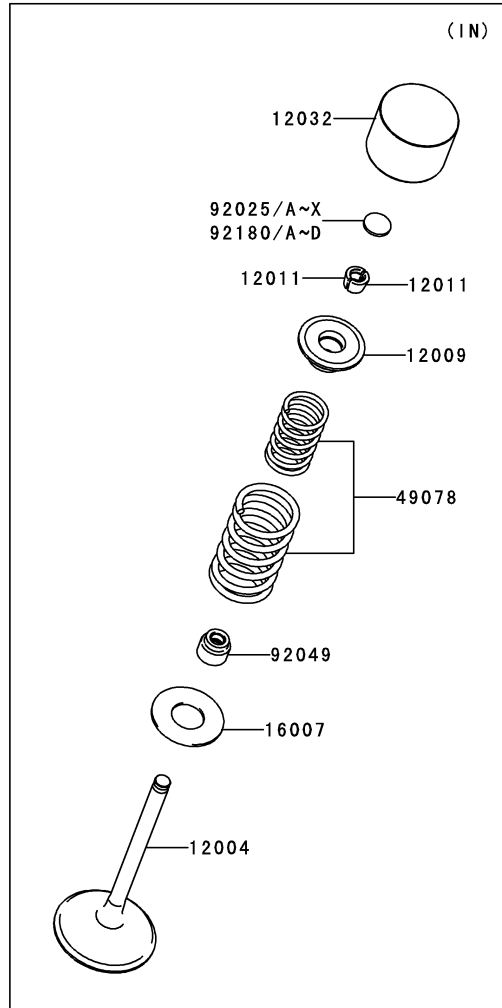
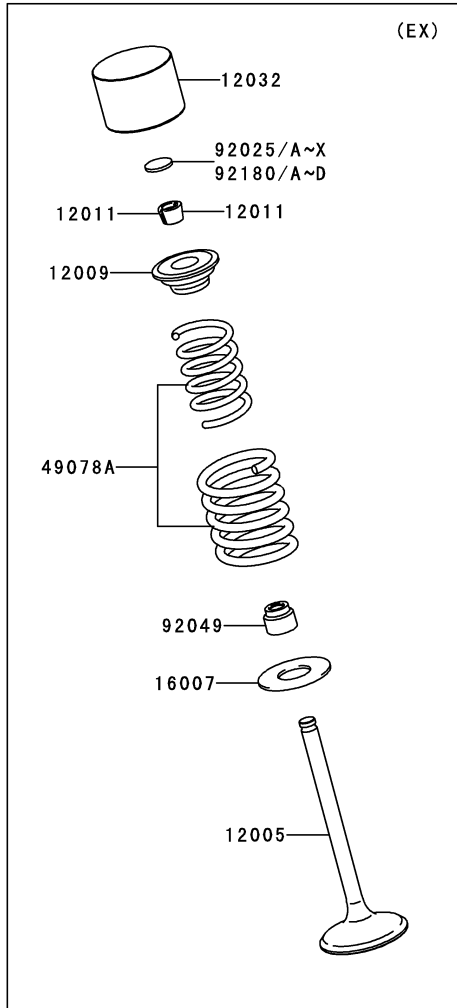
B-10

This grid covers:

Valve(s)

E1210

Ref. No.	Part No.	Description	Spec Code	Quantity-KLX450			
				'08	'09	'10	
				A8F	A9F	AAF	
12004	12004-0029	VALVE-INTAKE	2	2	2		
12005	12005-0044	VALVE-EXHAUST	2	2	2		
12009	12009-0008	RETAINER-VALVE SPRING	4	4	4		
12011	12011-1003	COLLET	8	8	8		
12032	12032-0004	TAPPET	4	4	4		
16007	16007-0022	SEAT-SPRING,11.6X25.5X1.0	4	4	4		
49078	49078-0043	SPRING-ENGINE VALVE,INTAKE	2	2	2		
49078A	49078-0057	SPRING-ENGINE VALVE,EXHAUST	2	2	2		
92025	92025-1870	SHIM,T=2.00	4	4	4		
92025A	92025-1871	SHIM,T=2.05	AR	AR	AR		
92025B	92025-1872	SHIM,T=2.10	AR	AR	AR		
92025C	92025-1873	SHIM,T=2.15	AR	AR	AR		
92025D	92025-1874	SHIM,T=2.20	AR	AR	AR		
92025E	92025-1875	SHIM,T=2.25	AR	AR	AR		
92025F	92025-1876	SHIM,T=2.30	AR	AR	AR		
92025G	92025-1877	SHIM,T=2.35	AR	AR	AR		
92025H	92025-1878	SHIM,T=2.40	AR	AR	AR		
92025I	92025-1879	SHIM,T=2.45	AR	AR	AR		
92025J	92025-1880	SHIM,T=2.50	AR	AR	AR		
92025K	92025-1881	SHIM,T=2.55	AR	AR	AR		
92025L	92025-1882	SHIM,T=2.60	AR	AR	AR		
92025M	92025-1883	SHIM,T=2.65	AR	AR	AR		
92025N	92025-1884	SHIM,T=2.70	AR	AR	AR		
92025O	92025-1885	SHIM,T=2.75	AR	AR	AR		
92025P	92025-1886	SHIM,T=2.80	AR	AR	AR		
92025Q	92025-1887	SHIM,T=2.85	AR	AR	AR		
92025R	92025-1888	SHIM,T=2.90	AR	AR	AR		
92025S	92025-1889	SHIM,T=2.95	AR	AR	AR		
92025T	92025-1890	SHIM,T=3.00	AR	AR	AR		
92025U	92025-1982	SHIM,T=2.425	AR	AR	AR		
92025V	92025-1983	SHIM,T=2.475	AR	AR	AR		
92025W	92025-1984	SHIM,T=2.525	AR	AR	AR		
92025X	92025-1985	SHIM,T=2.575	AR	AR	AR		
92049	92049-1062	SEAL-OIL,RVC2-5.5X8.5X8.3	4	4	4		
92180	92180-1058	SHIM,T=2.375	AR	AR	AR		
92180A	92180-1059	SHIM,T=2.625	AR	AR	AR		
92180B	92180-1194	SHIM,T=2.675	AR	AR	AR		
92180C	92180-1195	SHIM,T=2.725	AR	AR	AR		
92180D	92180-1196	SHIM,T=2.775	AR	AR	AR		



This catalog covers:

'08~'10 KLX450 A8F/A9F/AAF Engine

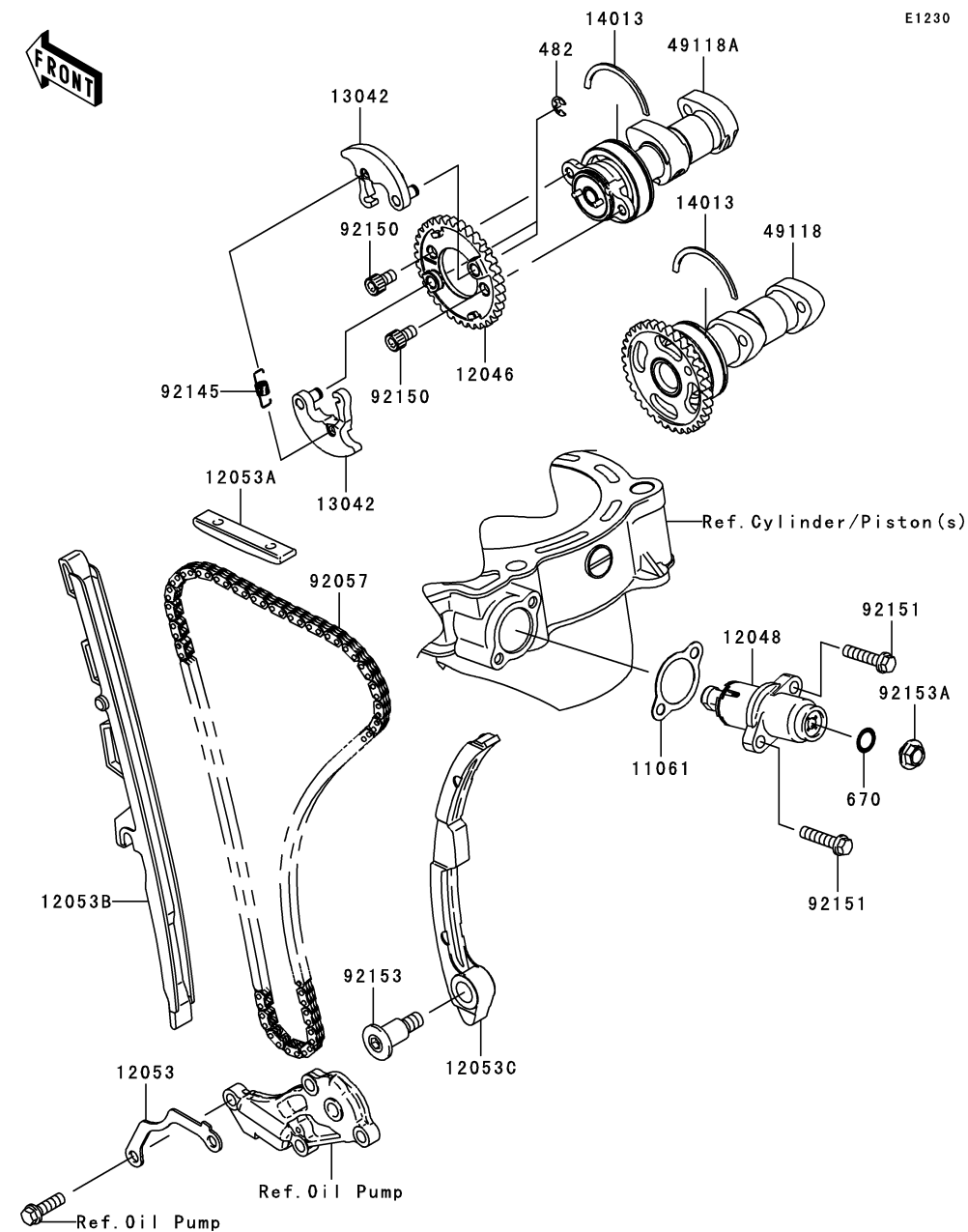
GRID NO.

B-11

This grid covers:

Camshaft(s)/Tensioner

E1230



Ref. No.	Part No.	Description	Spec Code	Quantity-KLX450			
				'08	'09	'10	
				A8F	A9F	AAF	
11061	11061-0260	GASKET	1	1	1		
12046	12046-0043	SPROCKET,34T	1	1	1		
12048	12048-0021	TENSIONER-ASSY	1	1	1		
12053	12053-0031	GUIDE-CHAIN,CAM CHAIN STOPPER	1	1	1		
12053A	12053-0051	GUIDE-CHAIN,UPP	1	1	1		
12053B	12053-0064	GUIDE-CHAIN,FR	1	1	1		
12053C	12053-0065	GUIDE-CHAIN,RR	1	1	1		
13042	13042-0005	WEIGHT	2	2	2		
14013	14013-0001	RING-POSITION	2	2	2		
49118	49118-0101	CAMSHAFT-COMP,INTAKE	1	1	1		
49118A	49118-0102	CAMSHAFT-COMP,EXHAUST	1	1	1		
92057	92057-0035	CHAIN,98XRH2010-124M	1	1	1		
92145	92145-0541	SPRING	1	1	1		
92150	92150-1650	BOLT,SOCKET,6X10	2	2	2		
92151	92151-1930	BOLT,FLANGED-SMALL,6X25	2	2	2		
92153	92153-0717	BOLT,8X29.5	1	1	1		
92153A	92153-1380	BOLT,6X6	1	1	1		
482	482J5000	CIRCLIP-TYPE-E	2	2	2		
670	670D2010	O RING	1	1	1		

This catalog covers:

'08~'10 KLX450 A8F/A9F/AAF Engine

GRID NO.

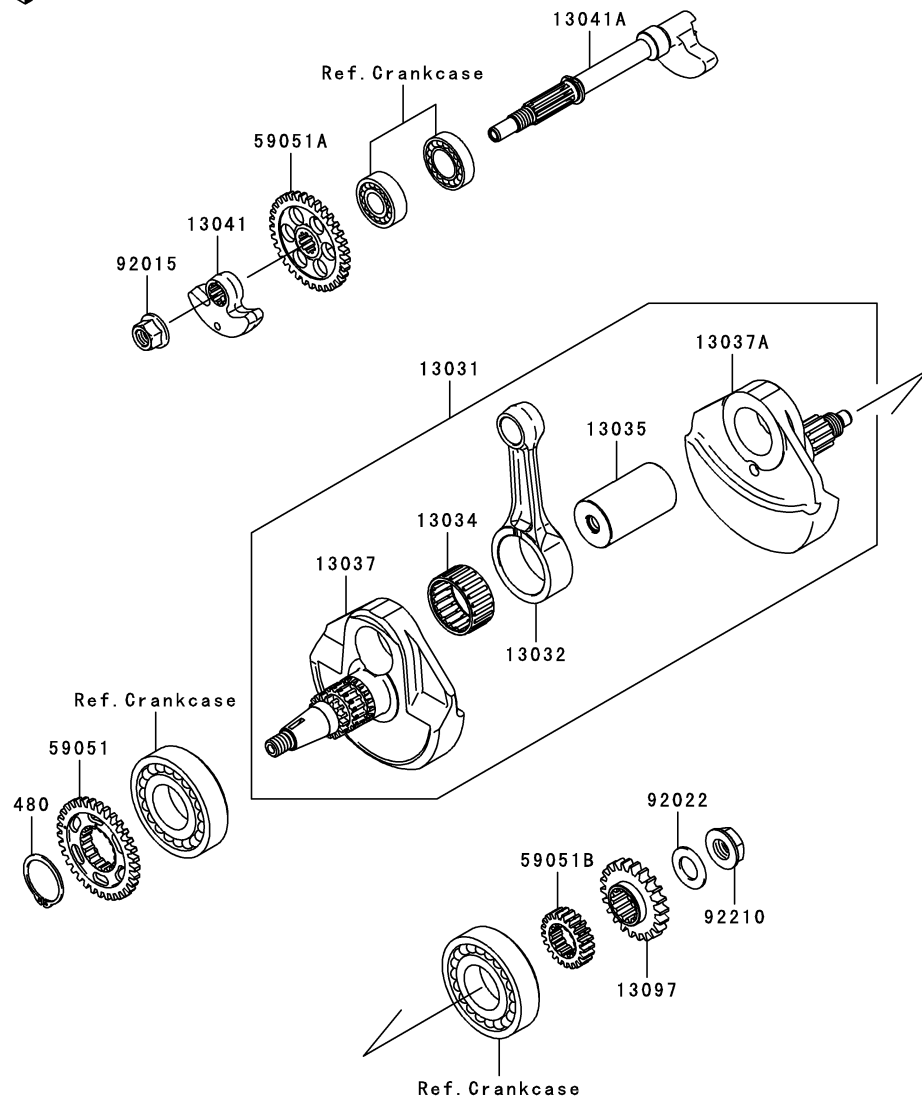
B-12

This grid covers:

Crankshaft

E1321

Ref. No.	Part No.	Description	Spec Code	Quantity-KLX450			
				'08	'09	'10	
				A8F	A9F	AAF	
13031	13031-0086	CRANKSHAFT-COMP	1	1	1		
13032	13032-0060	ROD-CONNECTING	1	1	1		
13034	13034-0006	BEARING-BIG END,B4	1	1	1		
13035	13035-0013	PIN-CRANK	1	1	1		
13037	13037-0110	CRANKSHAFT,LH	1	1	1		
13037A	13037-0111	CRANKSHAFT,RH	1	1	1		
13041	13041-0023	BALANCER,WEIGHT	1	1	1		
13041A	13041-0024	BALANCER,SHAFT	1	1	1		
13097	13097-0013	GEAR-PRIMARY SPUR,22T	1	1	1		
59051	59051-0070	GEAR-SPUR,BALANCER DRIVE,33T	1	1	1		
59051A	59051-0071	GEAR-SPUR,BALANCER DRIVEN,33T	1	1	1		
59051B	59051-0075	GEAR-SPUR,OIL PUMP DRIVE,21T	1	1	1		
92015	92015-1156	NUT,FLANGED,12MM	1	1	1		
92022	92022-1356	WASHER,16.3X29X1.75	1	1	1		
92210	92210-0350	NUT,LEFT HANDED,16MM	1	1	1		
480	480J3200	CIRCLIP-TYPE-C,32MM	1	1	1		



This catalog covers:

'08~'10 KLX450 A8F/A9F/AAF Engine

GRID NO.

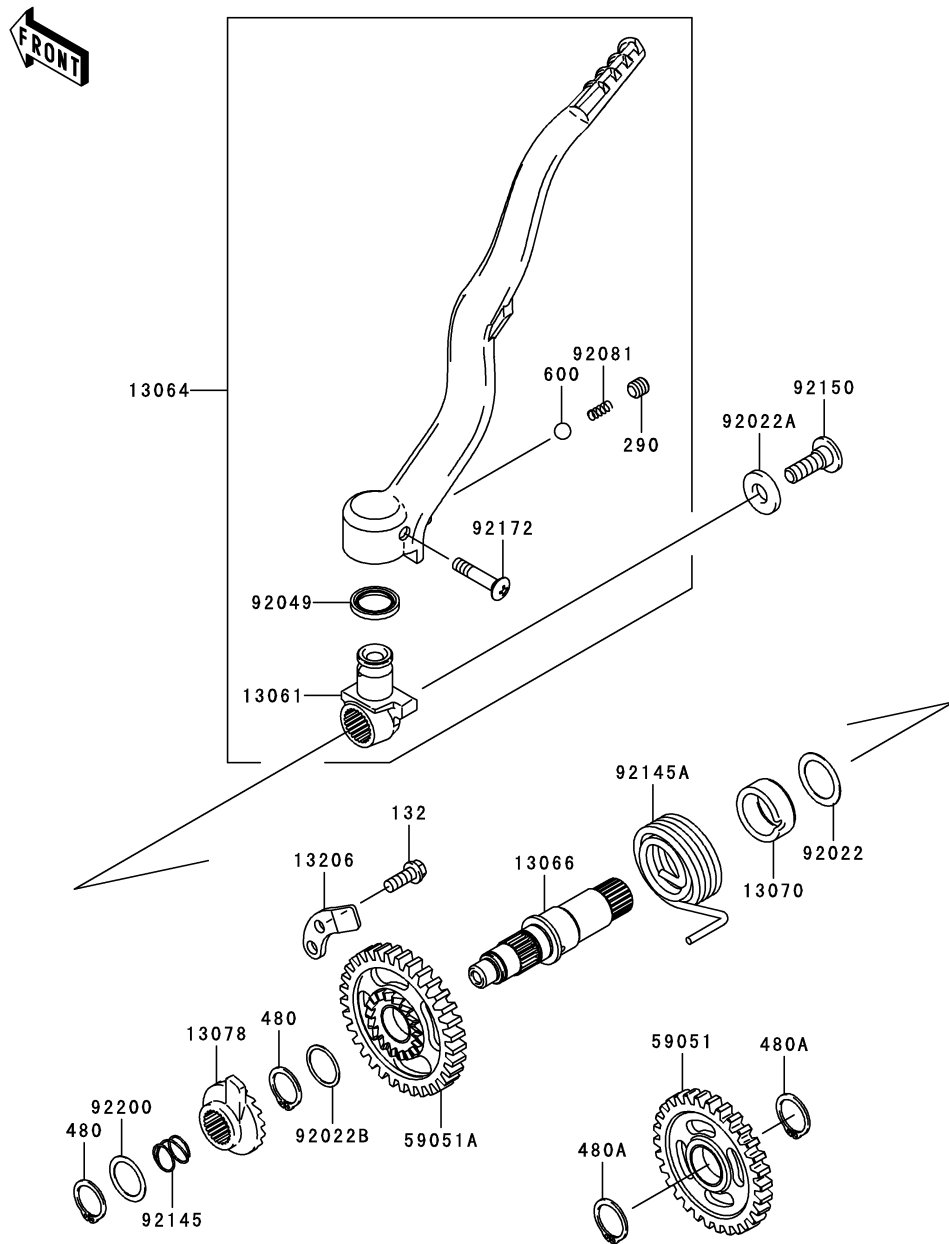
B-13

This grid covers:

Kickstarter Mechanism

E1340

Ref. No.	Part No.	Description	Spec Code	Quantity-KLX450		
				'08	'09	'10
				A8F	A9F	AAF
13061	13061-0146	BOSS	1	1	1	
13064	13064-0044	LEVER-ASSY-KICK	1	1	1	
13066	13066-0008	SHAFT-KICK	1	1	1	
13070	13070-1378	GUIDE,KICK SPRING	1	1	1	
13078	13078-0008	RATCHET	1	1	1	
13206	13206-0005	GUIDE-KICK	1	1	1	
59051	59051-0030	GEAR-SPUR,30T	1	1	1	
59051A	59051-0046	GEAR-SPUR,33T	1	1	1	
92022	92022-1885	WASHER,20.3X28.0X0.5	1	1	1	
92022A	92022-1944	WASHER,10X22X3.2	1	1	1	
92022B	92022-271	WASHER,18.3X22X0.5	1	1	1	
92049	92049-1387	SEAL-OIL,KICK PEDAL	1	1	1	
92081	92081-020	SPRING,KICK PEDAL	1	1	1	
92145	92145-0162	SPRING	1	1	1	
92145A	92145-0297	SPRING,RETURN	1	1	1	
92150	92150-1858	BOLT,8X25	1	1	1	
92172	92172-1088	SCREW,6X30	1	1	1	
92200	92200-0075	WASHER,18.3X24X0.5	1	1	1	
132	132BA0616	BOLT-FLANGED-SMALL,6X16	1	1	1	
290	290CA0808	SCREW-SET-SOCKET,8X8	1	1	1	
480	480J1800	CIRCLIP-TYPE-C,18MM	2	2	2	
480A	480J1900	CIRCLIP-TYPE-C,19MM	2	2	2	
600	600A0800	BALL-STEEL,1/4"	1	1	1	



This catalog covers:

'08~'10 KLX450 A8F/A9F/AAF Engine

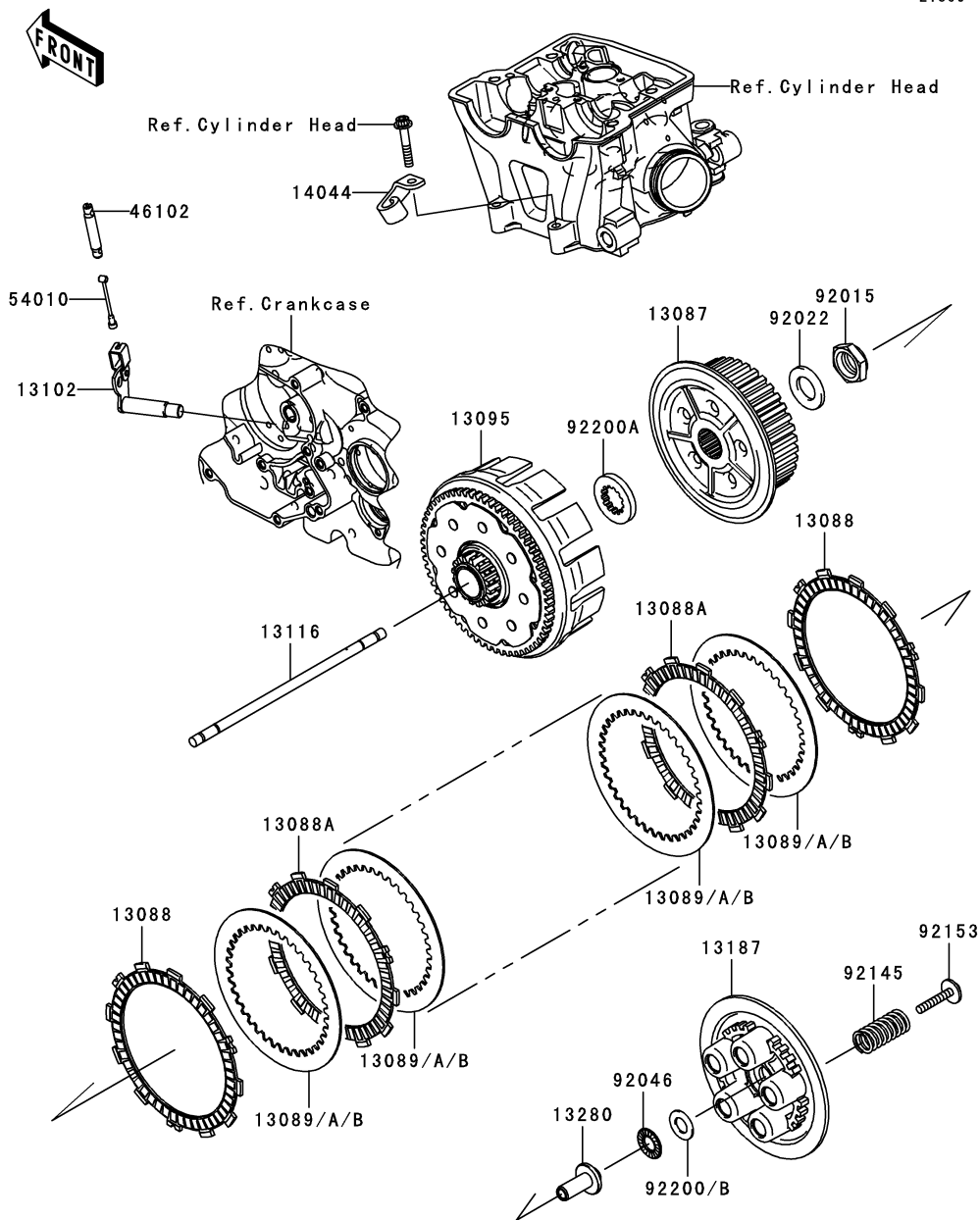
GRID NO.

B-14

This grid covers:

Clutch

E1350



Ref. No.	Part No.	Description	Quantity-KLX450		
			'08	'09	'10
			A8F	A9F	AAF
13087	13087-0015	HUB-CLUTCH	1	1	1
13088	13088-0010	PLATE-FRICTION	2	2	2
13088A	13088-0035	PLATE-FRICTION	6	6	6
13089	13089-1005	PLATE-CLUTCH,T=2.0	AR	AR	AR
13089A	13089-1010	PLATE-CLUTCH,T=1.2	AR	AR	AR
13089B	13089-1095	PLATE-CLUTCH,T=1.6	7	7	7
13095	13095-0052	HOUSING-COMP-CLUTCH	1	1	1
13102	13102-0028	RELEASE-COMP-CLUTCH	1	1	1
13116	13116-0023	ROD-PUSH	1	1	1
13187	13187-0007	PLATE-CLUTCH OPERATING	1	1	1
13280	13280-0067	HOLDER	1	1	1
14044	14044-0026	HOLDER-CABLE	1	1	1
46102	46102-0092	ROD,PULL	1	1	1
54010	54010-0063	CABLE,CLUTCH RELEASE	1	1	1
92015	92015-1725	NUT,20MM	1	1	1
92022	92022-1868	WASHER,20.3X36X3.7	1	1	1
92046	92046-1190	BEARING-NEEDLE,FNTA-1326	1	1	1
92145	92145-0370	SPRING,CLUTCH	5	5	5
92153	92153-1876	BOLT,WP,6X35	5	5	5
92200	92200-0045	WASHER,13.4X25X1.0	AR	AR	AR
92200A	92200-0245	WASHER,25X41X5.5	1	1	1
92200B	92200-1548	WASHER,13.4X25.0X1.5	1	1	1

This catalog covers:

'08~'10 KLX450 A8F/A9F/AAF Engine

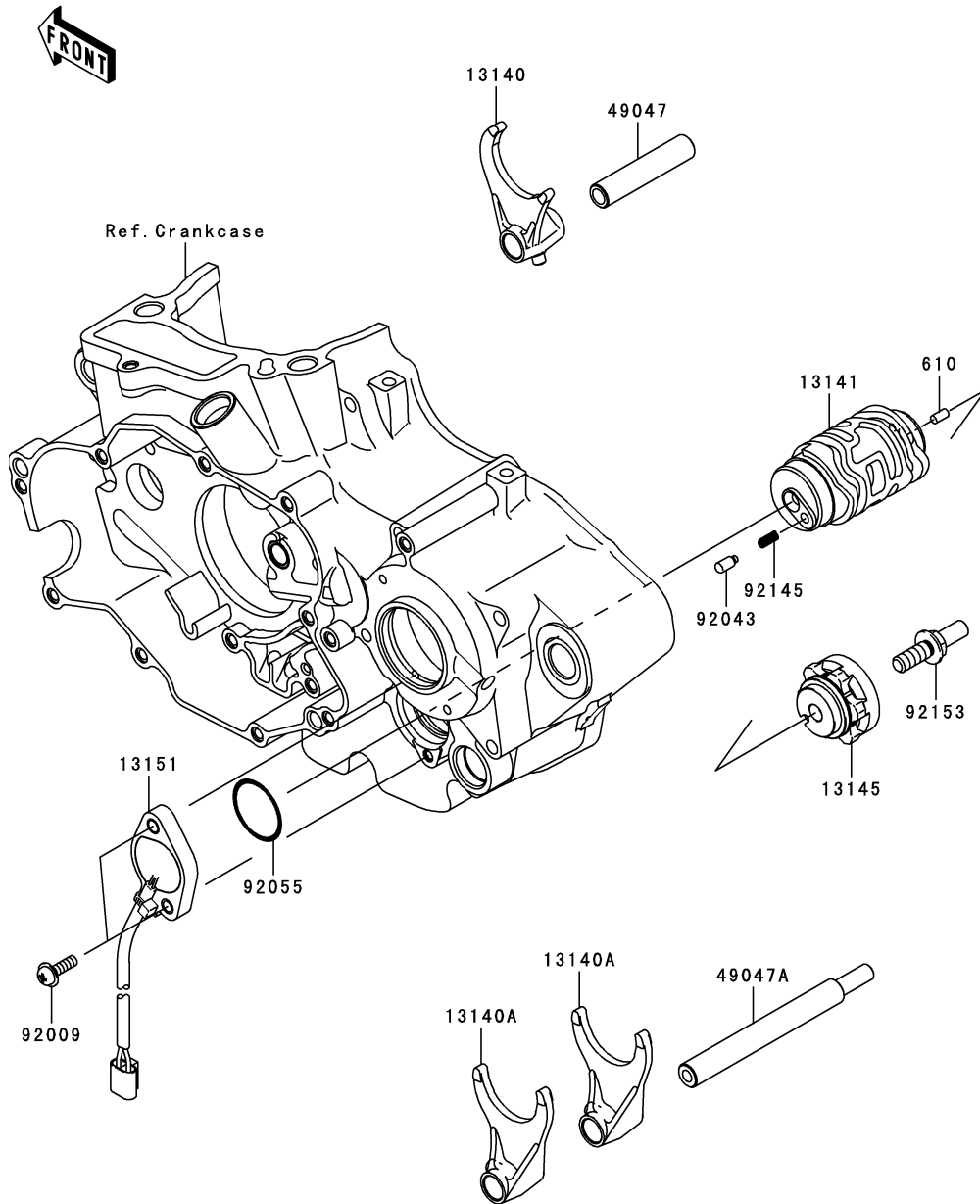
GRID NO.

C-4

This grid covers:

Gear Change Drum/Shift Fork(s)

E1362



Ref. No.	Part No.	Description	Spec Code	Quantity-KLX450			
				'08	'09	'10	
				A8F	A9F	AAF	
13140	13140-0043	FORK-SHIFT,IN	1	1	1		
13140A	13140-0047	FORK-SHIFT,OUT	2	2	2		
13141	13141-0028	DRUM-CHANGE	1	1	1		
13145	13145-0031	CAM-CHANGE DRUM	1	1	1		
13151	13151-0037	SWITCH-COMP,NEUTRAL	1	1	1		
49047	49047-0017	ROD-SHIFT,IN	1	1	1		
49047A	49047-0028	ROD-SHIFT,OUT	1	1	1		
92009	92009-1571	SCREW,5X16	2	2	2		
92043	92043-1654	PIN	1	1	1		
92055	92055-091	RING-O,27.7X2.4	1	1	1		
92145	92145-1414	SPRING	1	1	1		
92153	92153-0530	BOLT,8X20	1	1	1		
610	610A0408	ROLLER,4X8	1	1	1		

This catalog covers:

'08~'10 KLX450 A8F/A9F/AAF Engine

GRID NO.

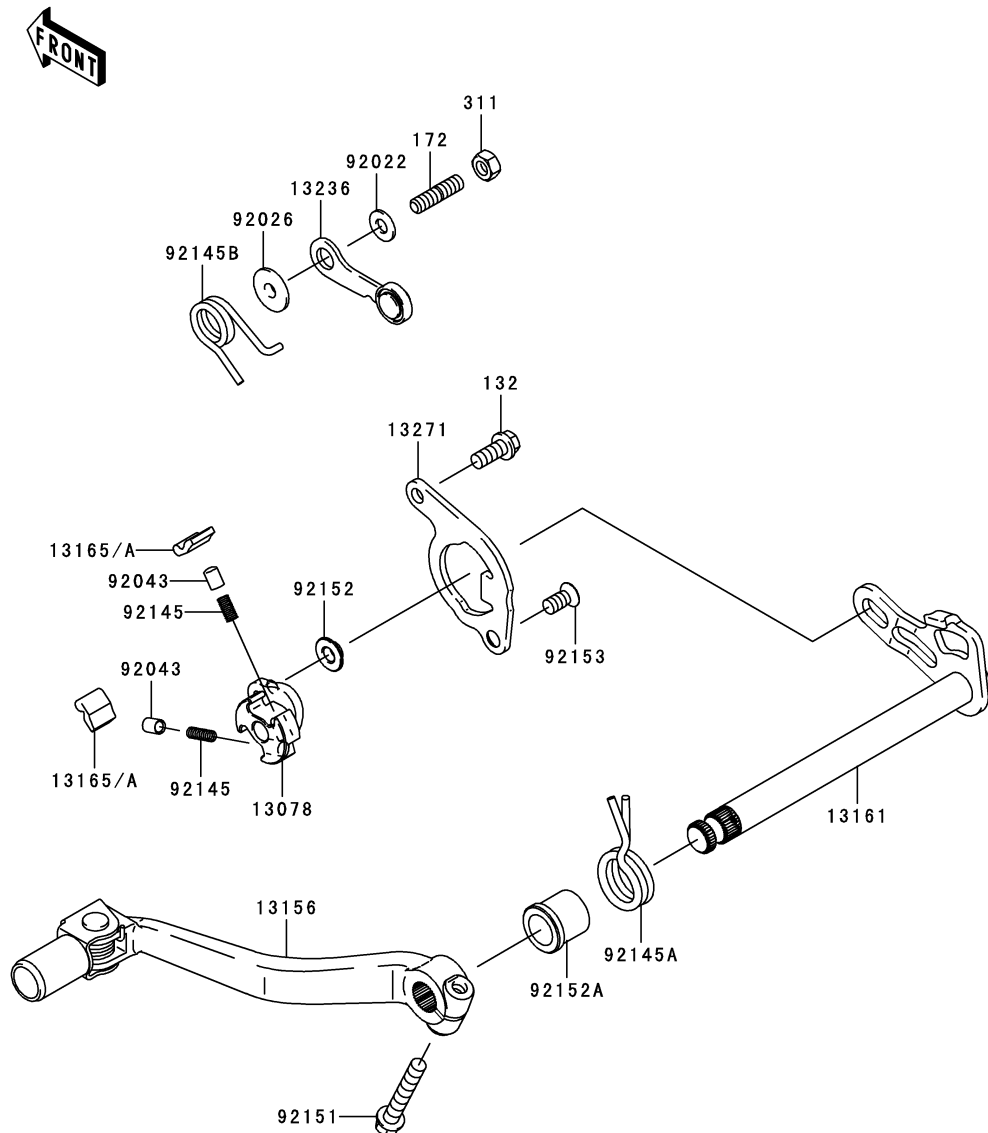
C-5

This grid covers:

Gear Change Mechanism

E1370

Ref. No.	Part No.	Description	Spec Code	Quantity-KLX450			
				'08	'09	'10	
				A8F	A9F	AAF	
13078	13078-0012	RATCHET	1	1	1		
13156	13156-0067	LEVER-CHANGE,PEDAL	1	1	1		
13161	13161-0045	LEVER-COMP-CHANGE SHAFT	1	1	1		
13165	13165-0017	PAWL	2				
13165A	13165-0018	PAWL		2	2		
13236	13236-0129	LEVER-COMP,POSITION	1	1	1		
13271	13271-0893	PLATE,PAWL GUIDE	1	1	1		
92022	92022-1827	WASHER,6X12.8X1.2	1	1	1		
92026	92026-1217	SPACER	1	1	1		
92043	92043-1676	PIN,PLUNGER	2	2	2		
92145	92145-0453	SPRING	2	2	2		
92145A	92145-0496	SPRING,RETURN	1	1	1		
92145B	92145-0497	SPRING,POSITION LEVER	1	1	1		
92151	92151-1930	BOLT,FLANGED-SMALL,6X25	1	1	1		
92152	92152-1414	COLLAR	1	1	1		
92152A	92152-1419	COLLAR,RETURN SPRING	1	1	1		
92153	92153-1669	BOLT,TORX,6X8.7	1	1	1		
132	132BA0614	BOLT-FLANGED-SMALL,6X14	1	1	1		
172	172BA0612	BOLT-STUD,6X12	1	1	1		
311	311BA0600	NUT-HEX	1	1	1		



This catalog covers:

'08~'10 KLX450 A8F/A9F/AAF Engine

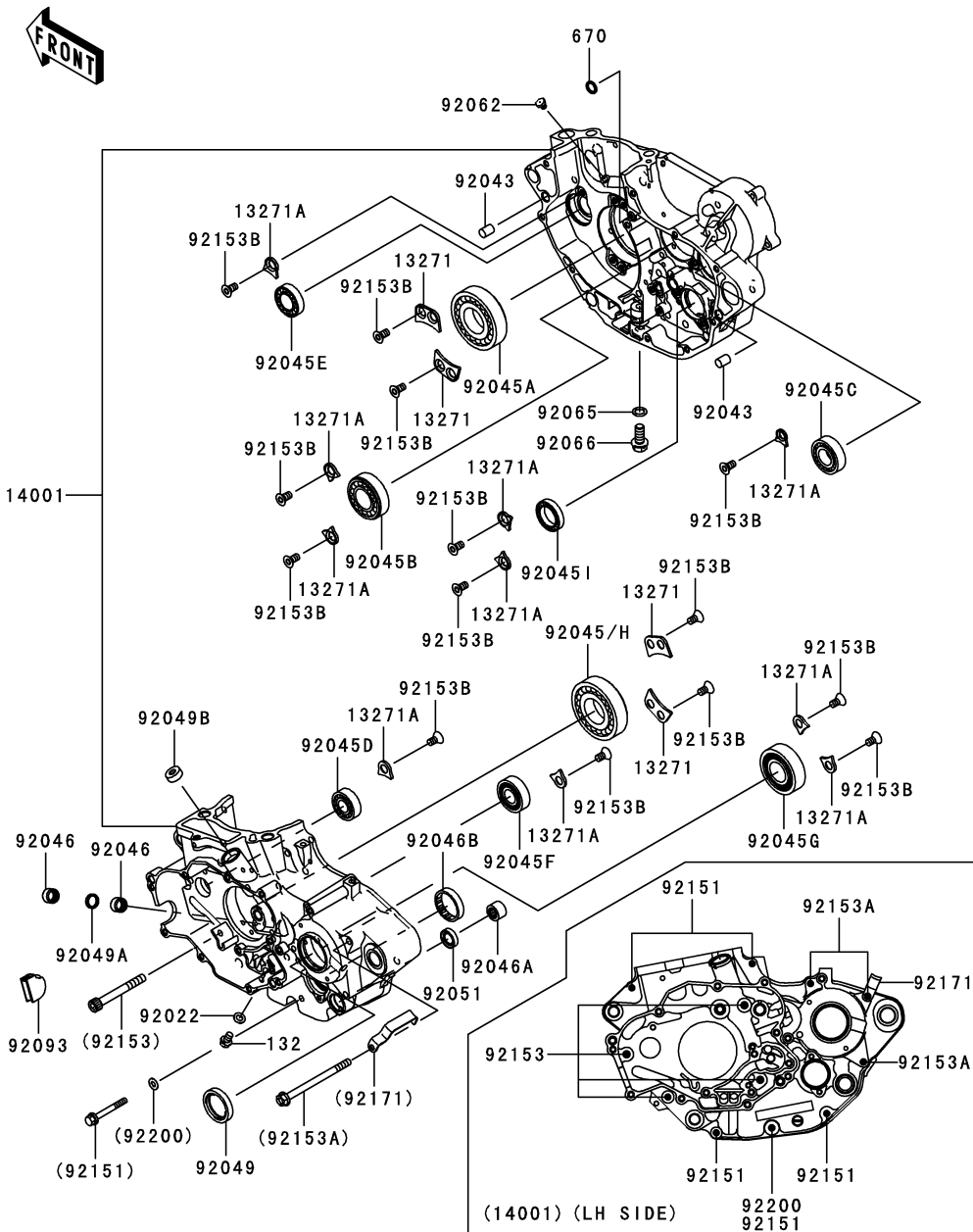
GRID NO.

C-6

This grid covers:

Crankcase

E1411



Ref. No.	Part No.	Description	Spec Code	Quantity-KLX450			
				'08	'09	'10	
				A8F	A9F	AAF	
13271	13271-0334	PLATE	4	4	4		
13271A	13271-0345	PLATE	10	10	10		
14001	14001-0093	SET-CRANKCASE	1	1	1		
92022	92022-304	WASHER,6.2X11X1	1	1	1		
92043	92043-1506	PIN,10X14	2	2	2		
92045	92045-0024	BEARING-BALL,B32-32U-A-EC4 UR5	1				
92045A	92045-0031	BEARING-BALL,B32-32-A-DUX8EC4	1	1	1		
92045B	92045-0035	BEARING-BALL,25X52X15	1	1	1		
92045C	92045-0036	BEARING-BALL,20X42X12	1	1	1		
92045D	92045-0037	BEARING-BALL,6202SH2C3	1	1	1		
92045E	92045-0038	BEARING-BALL,6904C3UR5	1	1	1		
92045F	92045-0057	BEARING-BALL,3TM-5X0391LUC3	1	1	1		
92045G	92045-0062	BEARING-BALL	1	1	1		
92045H	92045-0132	BEARING-BALL		1	1		
92045I	92045-1432	BEARING-BALL,6805JRZ	1	1	1		
92046	92046-1010	BEARING-NEEDLE,HK1210	2	2	2		
92046A	92046-1148	BEARING-NEEDLE,HK1312	1	1	1		
92046B	92046-1221	BEARING-NEEDLE,7E-HKS33X38X8	1	1	1		
92049	92049-0030	SEAL-OIL,TC 30 40 7	1	1	1		
92049A	92049-0087	SEAL-OIL,12X16X3	1	1	1		
92049B	92049-0088	SEAL-OIL,TC4 8 18 7	1	1	1		
92051	92051-005	SEAL-OIL,TB13225.5	1	1	1		
92062	92062-0013	NOZZLE,6X7	1	1	1		
92065	92065-058	GASKET,10.5X16X1	1	1	1		
92066	92066-0038	PLUG,DRAIN,10X22	1	1	1		
92093	92093-0071	SEAL,BLIND,LH CRANKCASE	1	1	1		
92151	92151-1545	BOLT,6X50	5	5	5		
92153	92153-0846	BOLT,7X60	4	4	4		
92153A	92153-0934	BOLT,FLANGED,6X85	3	3	3		
92153B	92153-1669	BOLT,TORX,6X8.7	18	18	18		
92171	92171-0579	CLAMP	1	1	1		
92200	92200-0171	WASHER,6.3X13.5X1.0	1	1	1		
132	132BA0608	BOLT-FLANGED-SMALL,6X8	1	1	1		
670	670D1507	O RING,7MM	1	1	1		

This catalog covers:

'08~'10 KLX450 A8F/A9F/AAF Engine

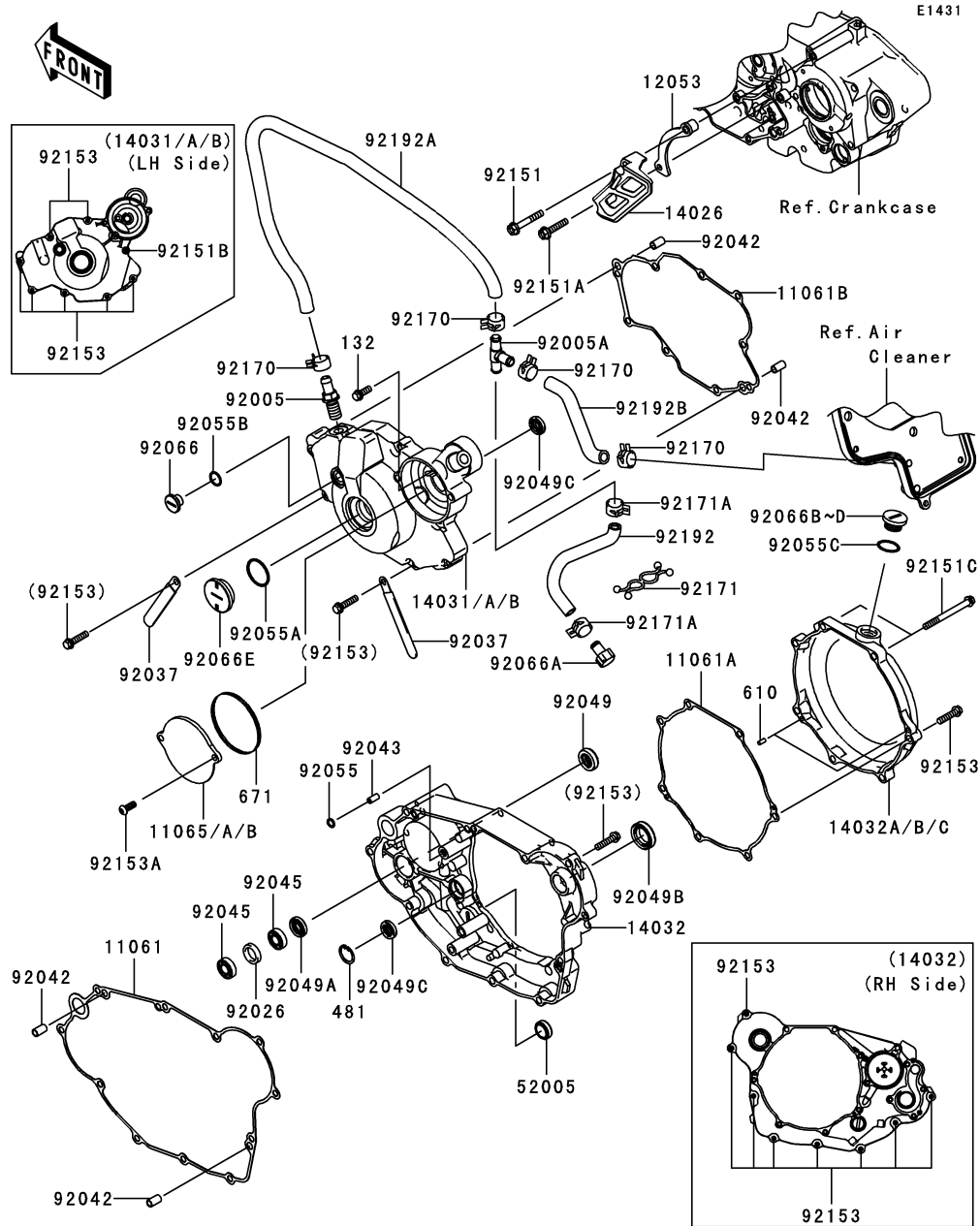
GRID NO.

C-7

This grid covers:

Engine Cover(s)(1/2)

E1431



Ref. No.	Part No.	Description	Spec Code	Quantity-KLX450		
				'08	'09	'10
				A8F	A9F	AAF
11061	11061-0224	GASKET,CLUTCH COVER,INNER	1	1	1	
11061A	11061-0259	GASKET,CLUTCH OUTER COVER	1	1	1	
11061B	11061-0271	GASKET,GENERATOR COVER	1	1	1	
11065	11065-0169	CAP,LIMITER	1			
11065A	11065-0283	CAP,LIMITER		1		
11065B	11065-0336	CAP,LIMITER			1	
12053	12053-0098	GUIDE-CHAIN	1	1	1	
14026	14026-0045	COVER-CHAIN	1	1	1	
14031	14031-0087	COVER-GENERATOR	1			
14031A	14031-0106	COVER-GENERATOR		1		
14031B	14031-0123	COVER-GENERATOR			1	
14032	14032-0062	COVER-CLUTCH,INNER	1	1	1	
14032A	14032-0101	COVER-CLUTCH,OUTER	1			
14032B	14032-0103	COVER-CLUTCH,OUTER			1	
14032C	14032-0131	COVER-CLUTCH,OUTER		1		
52005	52005-0019	GAUGE,OIL LEVEL	1	1	1	
92005	92005-0014	FITTING,BREATHER	1	1	1	
92005A	92005-0083	FITTING,3WAY	1	1	1	
92026	92026-0064	SPACER,16X22X4.3	1	1	1	
92037	92037-1993	CLAMP	2	2	2	
92042	92042-007	PIN,DOWEL,6.3X8X14	4	4	4	
92043	92043-1262	PIN,4.2X6X12	1	1	1	
92045	92045-0039	BEARING-BALL,6900C3	2	2	2	
92049	92049-0040	SEAL-OIL,12X24X7	1	1	1	
92049A	92049-0041	SEAL-OIL,12X22X5	1	1	1	
92049B	92049-0134	SEAL-OIL,20X30X7	1	1	1	
92049C	92049-1542	SEAL-OIL,10X20X5	2	2	2	
92055	92055-0113	RING-O	1	1	1	
92055A	92055-091	RING-O,27.7X2.4	1	1	1	
92055B	92055-1011	RING-O,13.0X1.9	1	1	1	
92055C	92055-1146	RING-O,20X2	1	1	1	
92066	92066-0039	PLUG,12X9.1	1	1	1	
92066A	92066-0104	PLUG	1	1	1	
92066B	92066-0106	PLUG,OIL,18X9	1			
92066C	92066-0138	PLUG		1		
92066D	92066-0149	PLUG,OIL FILTER			1	
92066E	92066-1404	PLUG	1	1	1	

This catalog covers:

'08~'10 KLX450 A8F/A9F/AAF Engine

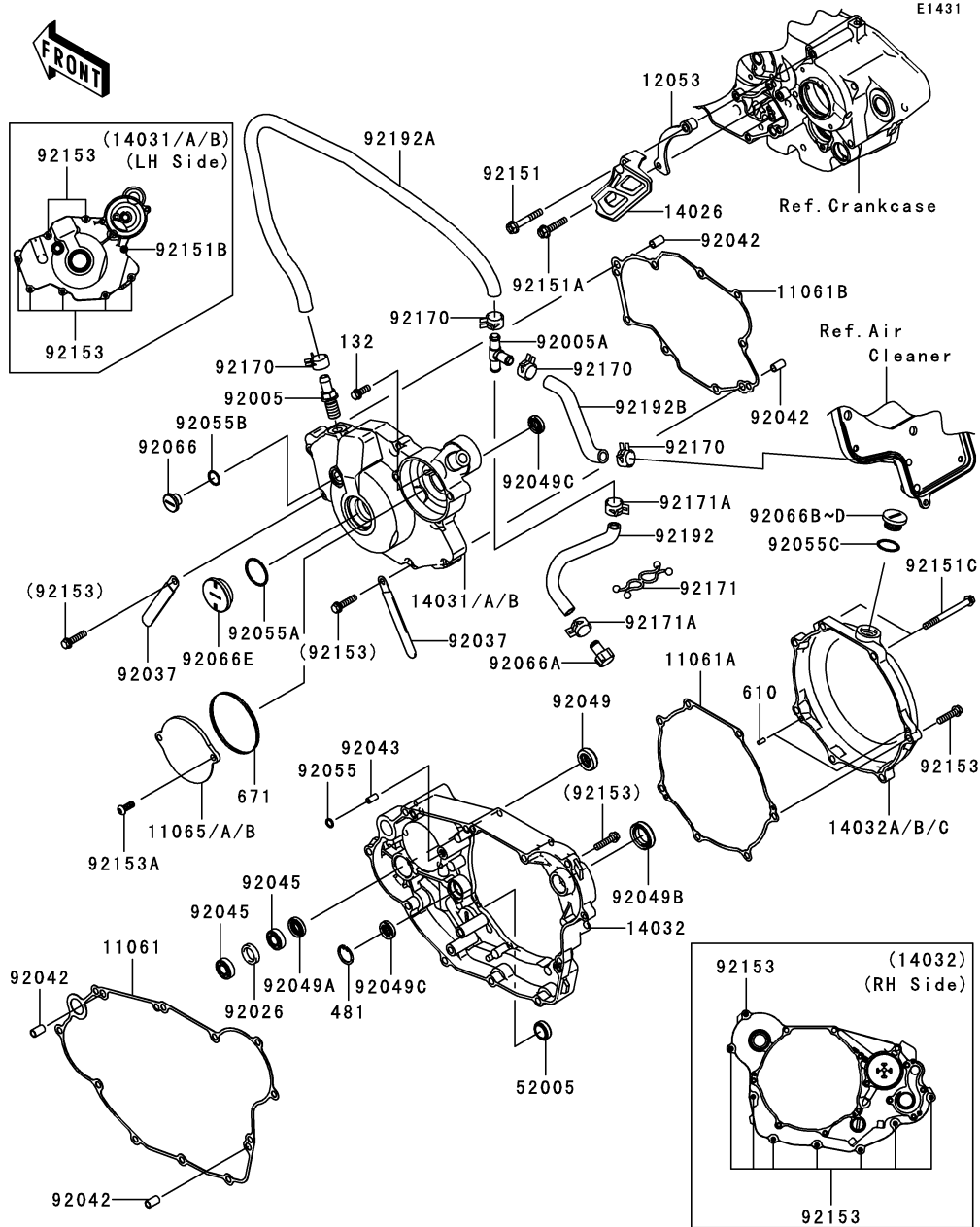
GRID NO.

C-8

This grid covers:

Engine Cover(s)(2/2)

E1431



Ref. No.	Part No.	Description	Spec Code	Quantity-KLX450		
				'08	'09	'10
				A8F	A9F	AAF
92151	92151-1131	BOLT,6X40	1	1	1	
92151A	92151-1134	BOLT,6X30	1	1	1	
92151B	92151-1135	BOLT,6X35	1	1	1	
92151C	92151-1199	BOLT,6X65	2	2	2	
92153	92153-1784	BOLT,FLANGED-SMALL,6X25	20	20	20	
92153A	92153-1785	BOLT,SOCKET,6X16	2	2	2	
92170	92170-1938	CLAMP	4	4	4	
92171	92171-0476	CLAMP	1	1	1	
92171A	92171-0515	CLAMP	2	2	2	
92192	92192-0542	TUBE,9X13X205	1	1	1	
92192A	92192-0543	TUBE,9X14X760	1	1	1	
92192B	92192-0544	TUBE,FIT.-A/C	1	1	1	
132	132BA0616	BOLT-FLANGED-SMALL,6X16	1	1	1	
481	481J2000	CIRCLIP-TYPE-C,20MM	1	1	1	
610	610A0408	ROLLER,4X8	2	2	2	
671	671B2565	O RING,65MM	1	1	1	

This catalog covers:

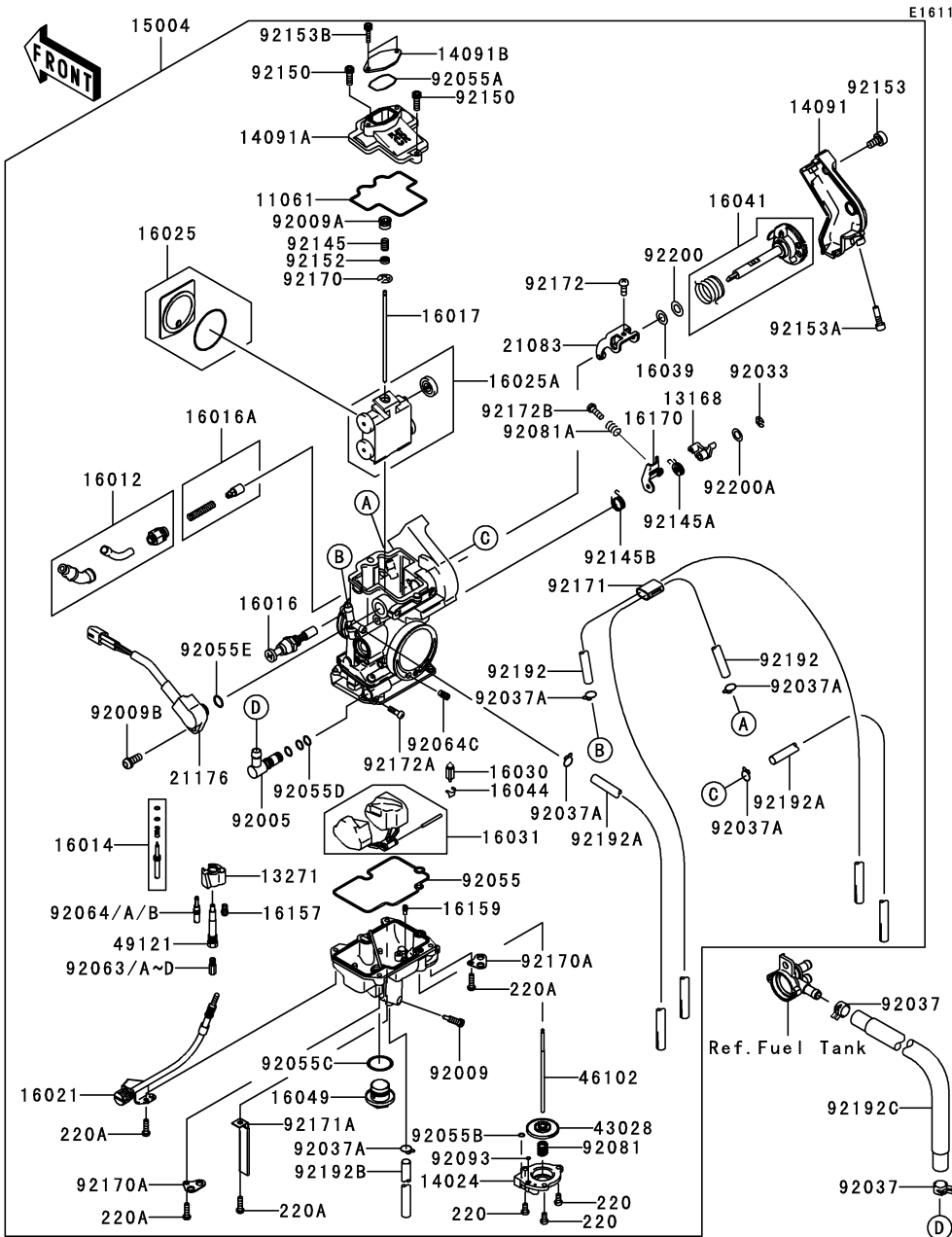
'08~'10 KLX450 A8F/A9F/AAF Engine

GRID NO.

C-9

This grid covers:

Carburetor(1/3)



Ref. No.	Part No.	Description	Spec Code	Quantity-KLX450		
				'08	'09	'10
				A8F	A9F	AAF
11061	11061-0077	GASKET	1	1	1	
13168	13168-0051	LEVER	1	1	1	
13271	13271-0241	PLATE	1	1	1	
14024	14024-1971	COVER	1	1	1	
14091	14091-0209	COVER	1	1	1	
14091A	14091-0587	COVER, TOP	1	1	1	
14091B	14091-0588	COVER	1	1	1	
15004	15004-0048	CARBURETOR-ASSY,FCR-MX40	1	1	1	
16012	16012-0002	CAP-STARTER PLUNGER	1	1	1	
16014	16014-0004	SCREW-PILOT AIR	1	1	1	
16016	16016-0009	PLUNGER	1	1	1	
16016A	16016-0017	PLUNGER	1	1	1	
16017	16017-0011	JET-NEEDLE,NCVU	1	1	1	
16021	16021-0013	SCREW-THROTTLE STOP	1	1	1	
16025	16025-0009	VALVE-THROTTLE	1	1	1	
16025A	16025-0013	VALVE-THROTTLE	1	1	1	
16030	16030-1057	VALVE-FLOAT	1	1	1	
16031	16031-1100	FLOAT	1	1	1	
16039	16039-0230	WASHER	1	1	1	
16041	16041-0004	SHAFT-CARBURETOR	1	1	1	
16044	16044-007	CLAMP,FLOAT VALVE	1	1	1	
16049	16049-1051	COVER-MAIN JET	1	1	1	
16157	16157-1061	JET-STARTER,#55	1	1	1	
16159	16159-1053	JET-POWER,#50	1	1	1	
16170	16170-0003	LINK-ASSY	1	1	1	
21083	21083-0035	ARM	1	1	1	
21176	21176-0016	SENSOR,THROTTLE	1	1	1	
43028	43028-0006	DIAPHRAGM	1	1	1	
46102	46102-0033	ROD	1	1	1	
49121	49121-0001	NOZZLE-MAIN	1	1	1	
92005	92005-0016	FITTING	1	1	1	
92009	92009-1551	SCREW,DRAIN,6X0.75	1	1	1	
92009A	92009-1876	SCREW	1	1	1	
92009B	92009-1981	SCREW,THROTTLE SENSOR	1	1	1	
92033	92033-0018	RING-SNAP	1	1	1	
92037	92037-1181	CLAMP,HOSE CLIP	2	2	2	
92037A	92037-1396	CLAMP,TUBE	5	5	5	
92055	92055-0066	RING-O,FLOAT CHAMBER	1	1	1	
92055A	92055-0109	RING-O	1	1	1	
92055B	92055-1004	RING-O	1	1	1	

This catalog covers:

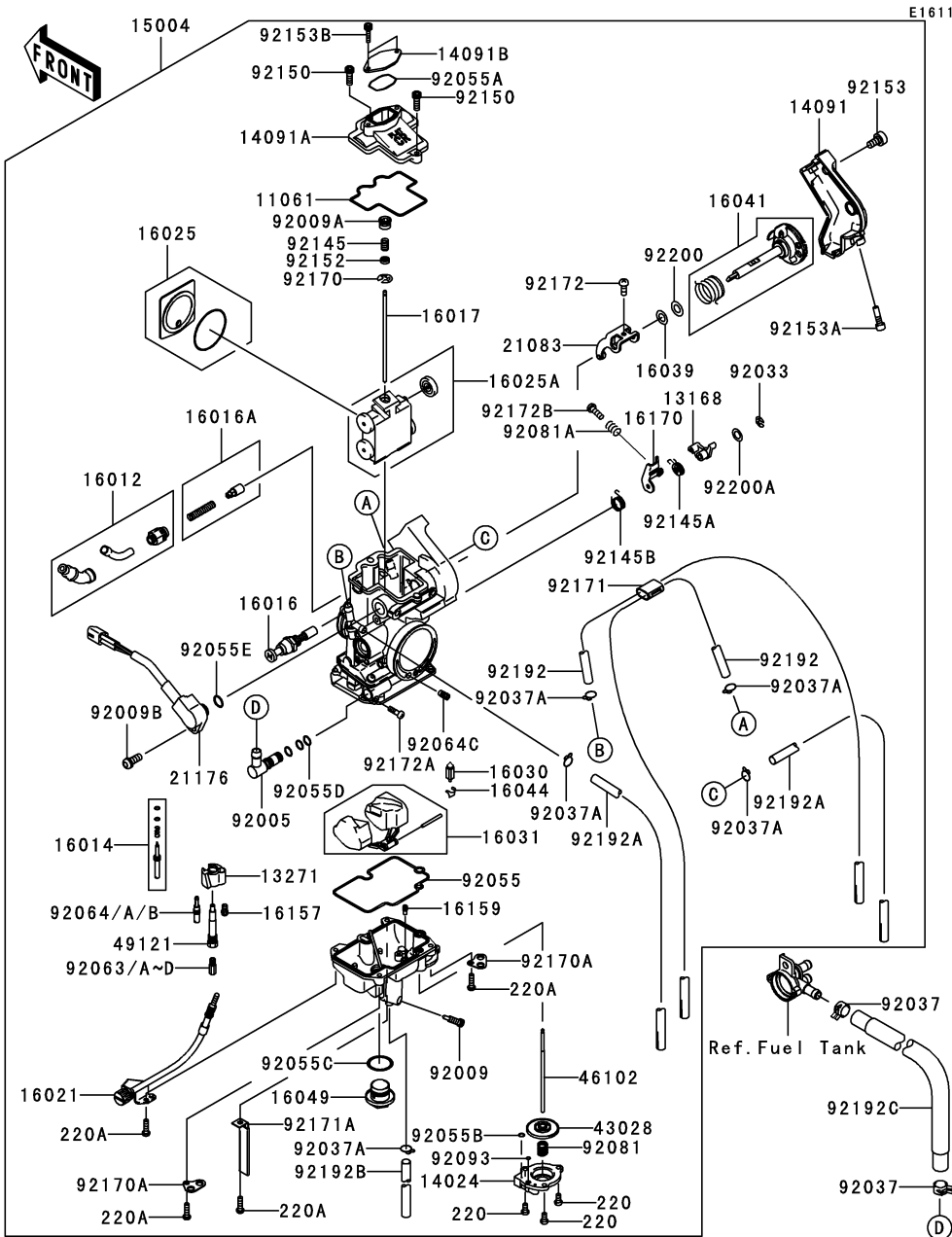
'08~'10 KLX450 A8F/A9F/AAF Engine

GRID NO.

C-10

This grid covers:

Carburetor(2/3)



Ref. No.	Part No.	Description	Spec Code	Quantity-KLX450		
				'08	'09	'10
				A8F	A9F	AAF
92055C	92055-1167	RING-O,MAIN JET COVER	1	1	1	
92055D	92055-1223	RING-O	3	3	3	
92055E	92055-1671	RING-O	1	1	1	
92063	92063-1360	JET-MAIN,#140	AR	AR	AR	
	(OPTION)					
92063A	92063-1361	JET-MAIN,#142	AR	AR	AR	
	(OPTION)					
92063B	92063-1362	JET-MAIN,#145	1	1	1	
92063C	92063-1363	JET-MAIN,#148	AR	AR	AR	
	(OPTION)					
92063D	92063-1364	JET-MAIN,#150	AR	AR	AR	
	(OPTION)					
92064	92064-1141	JET-PILOT,#42	AR	AR	AR	
	(OPTION)					
92064A	92064-1142	JET-PILOT,#45	1	1	1	
92064B	92064-1143	JET-PILOT,#48	AR	AR	AR	
	(OPTION)					
92064C	92064-1160	JET-PILOT,#100	1	1	1	
92081	92081-1092	SPRING,DIAPHRAGM	1	1	1	
92081A	92081-1620	SPRING	1	1	1	
92093	92093-1046	SEAL,"U"RING	1	1	1	
92145	92145-0164	SPRING	1	1	1	
92145A	92145-0166	SPRING	1	1	1	
92145B	92145-0167	SPRING	1	1	1	
92150	92150-1426	BOLT,SOCKET,4X12	2	2	2	
92152	92152-0141	COLLAR	1	1	1	
92153	92153-0639	BOLT	1	1	1	
92153A	92153-1512	BOLT	1	1	1	
92153B	92153-1513	BOLT	2	2	2	
92170	92170-1204	CLAMP,JET NEEDLE	1	1	1	
92170A	92170-1582	CLAMP	2	2	2	
92171	92171-0246	CLAMP	1	1	1	
92171A	92171-1684	CLAMP	1	1	1	
92172	92172-0127	SCREW	1	1	1	
92172A	92172-0128	SCREW	1	1	1	
92172B	92172-0129	SCREW	1	1	1	
92192	92192-0083	TUBE	2	2	2	
92192A	92192-0084	TUBE	2	2	2	
92192B	92192-0085	TUBE	1	1	1	
92192C	92192-0413	TUBE,7X14X300	1	1	1	
92200	92200-0107	WASHER	1	1	1	

This catalog covers:

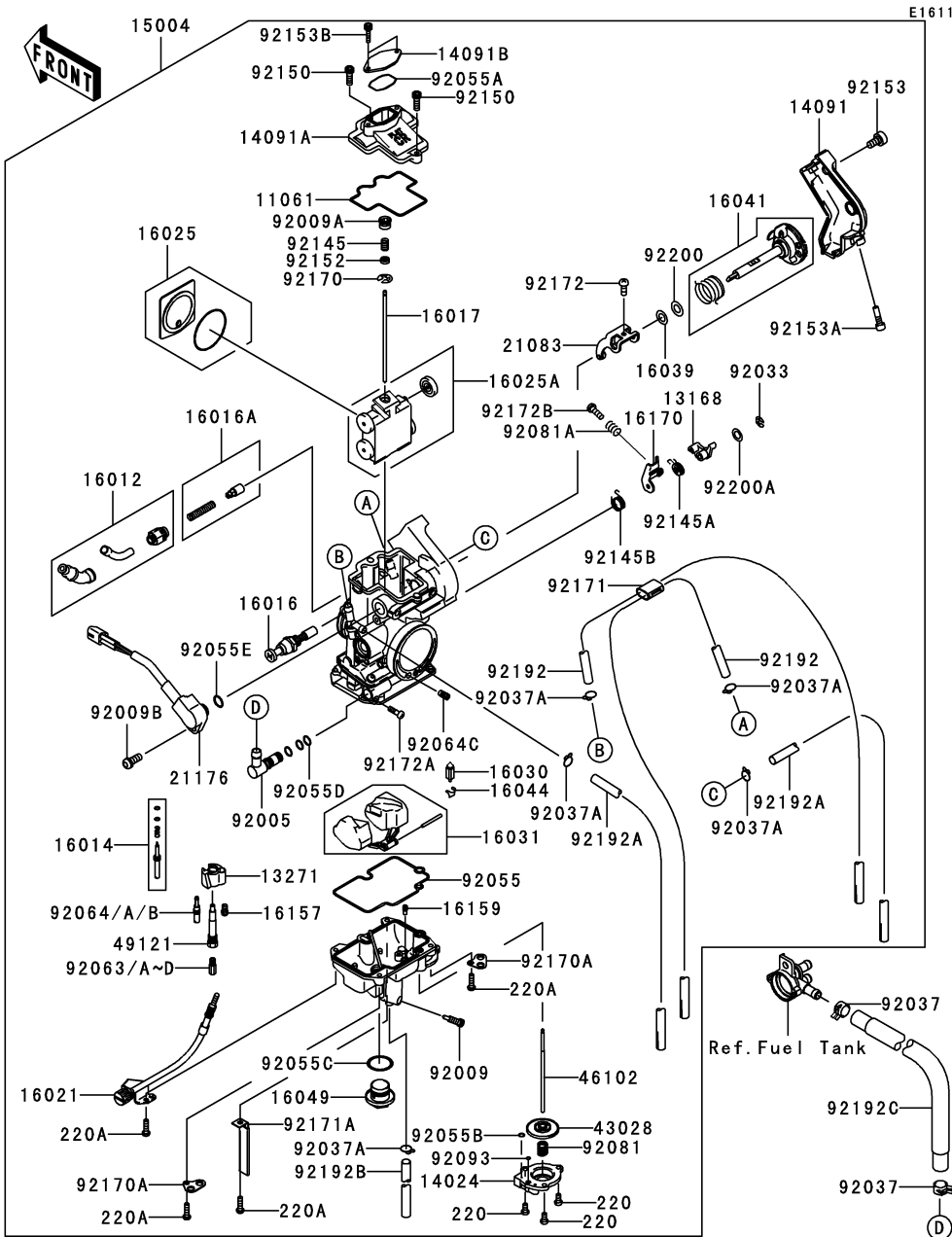
'08~'10 KLX450 A8F/A9F/AAF Engine

GRID NO.

C-11

This grid covers:

Carburetor(3/3)



Ref. No.	Part No.	Description	Spec Code	Quantity-KLX450		
				'08	'09	'10
				A8F	A9F	AAF
92200A	92200-1434	WASHER, LINK ARM, STAINLESS	1	1	1	
220	220AA0408	SCREW-PAN-CROS, 4X8	3	3	3	
220A	220AA0414	SCREW-PAN-CROS, 4X14	4	4	4	

This catalog covers:

'08~'10 KLX450 A8F/A9F/AAF Engine

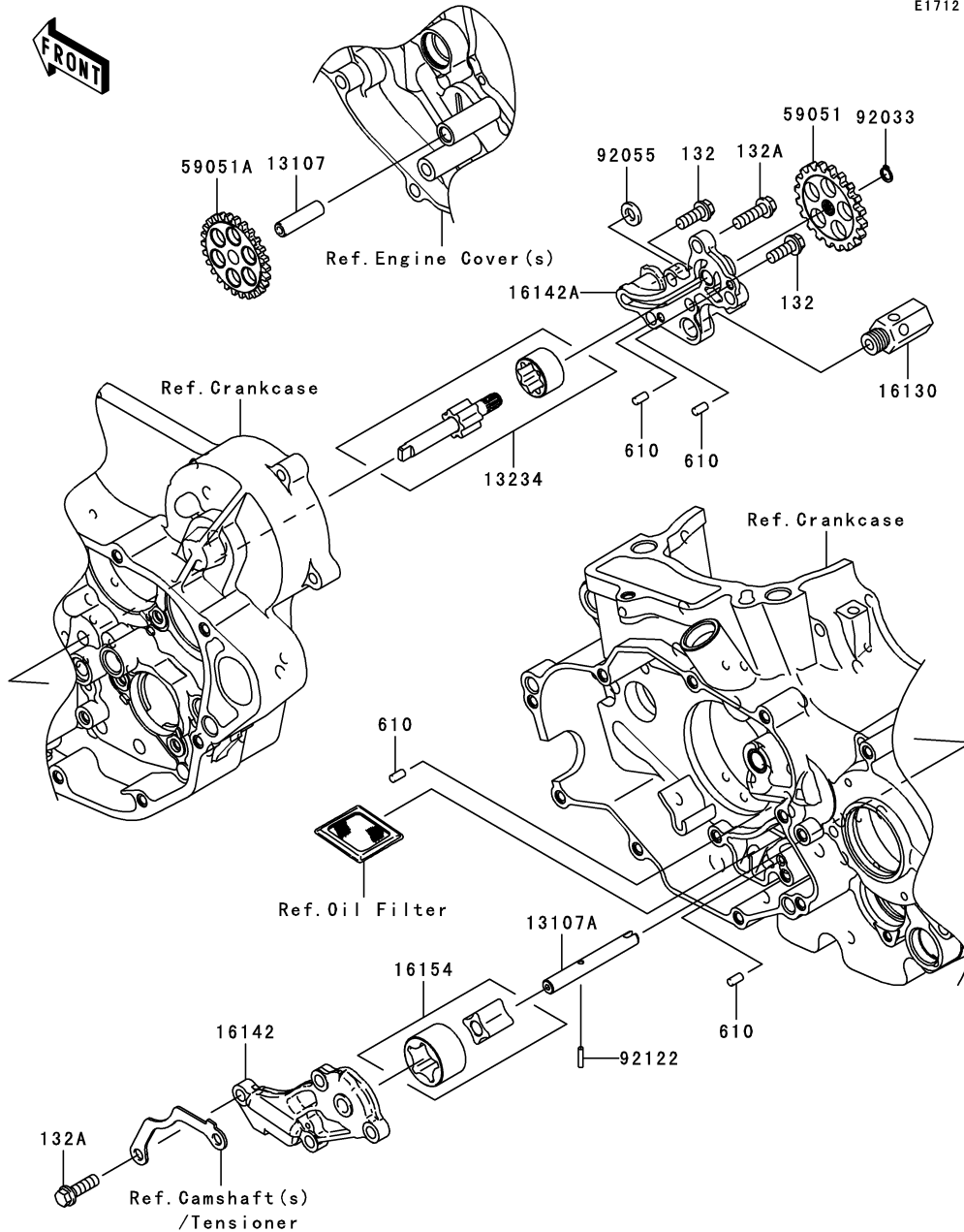
GRID NO.

C-12

This grid covers:

Oil Pump

E1712



Ref. No.	Part No.	Description	Quantity-KLX450			
			'08	'09	'10	
			A8F	A9F	AAF	
13107	13107-0056	SHAFT	1	1	1	
13107A	13107-0134	SHAFT,OIL PUMP,SCAVENGE	1	1	1	
13234	13234-0036	SHAFT-COMP,FEED	1	1	1	
16130	16130-1058	VALVE-ASSY-RELIEF	1	1	1	
16142	16142-0042	COVER-PUMP,OIL,LH	1	1	1	
16142A	16142-0049	COVER-PUMP,OIL,RH	1	1	1	
16154	16154-0069	ROTOR-PUMP,SCAVENGE	1	1	1	
59051	59051-0044	GEAR-SPUR,O/P DRIVEN,28T	1	1	1	
59051A	59051-0045	GEAR-SPUR,O/P IDLER,26T	1	1	1	
92033	92033-0019	RING-SNAP	1	1	1	
92055	92055-074	RING-O,OD=13	1	1	1	
92122	92122-0021	ROLLER,2.5X11.8	1	1	1	
132	132BA0616	BOLT-FLANGED-SMALL,6X16	2	2	2	
132A	132BA0620	BOLT-FLANGED-SMALL,6X20	7	7	7	
610	610A0408	ROLLER,4X8	4	4	4	

This catalog covers:

'08~'10 KLX450 A8F/A9F/AAF Engine

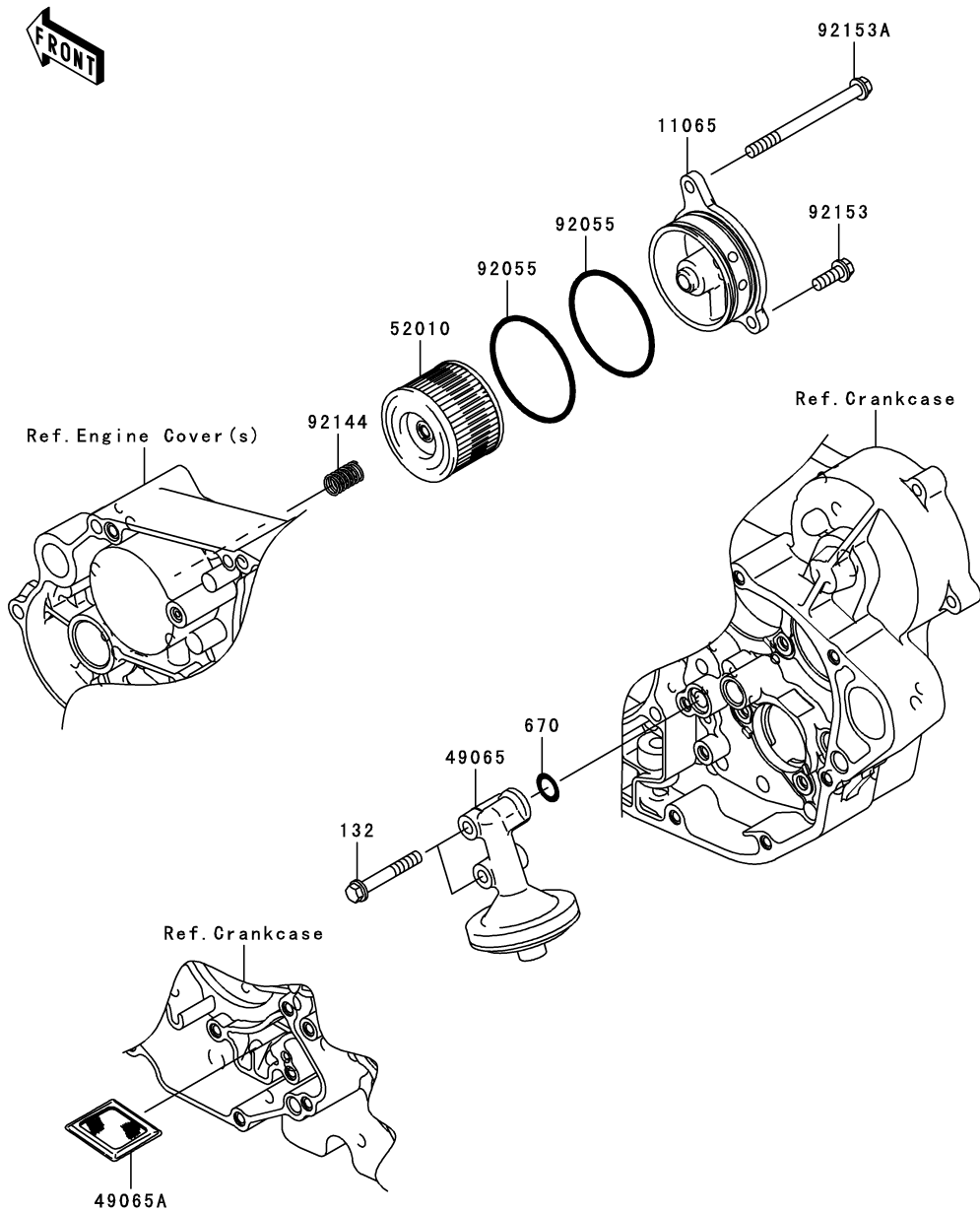
GRID NO.

C-13

This grid covers:

Oil Filter

E1720



Ref. No.	Part No.	Description	Spec Code	Quantity-KLX450		
				'08	'09	'10
11065	11065-0107	CAP,OIL FILTER	1	1	1	
49065	49065-0018	FILTER-OIL	1	1	1	
49065A	49065-0019	FILTER-OIL,STRAINER	1	1	1	
52010	52010-1053	ELEMENT-OIL FILTER	1	1	1	
92055	92055-1577	RING-O,52.6X2.4	2	2	2	
92144	92144-1761	SPRING	1	1	1	
92153	92153-0695	BOLT,6X16	1	1	1	
92153A	92153-0862	BOLT,6X75	1	1	1	
132	132BA0640	BOLT-FLANGED-SMALL,6X40	2	2	2	
670	670D2010	O RING	1	1	1	

This catalog covers:

'08~'10 KLX450 A8F/A9F/AAF Engine

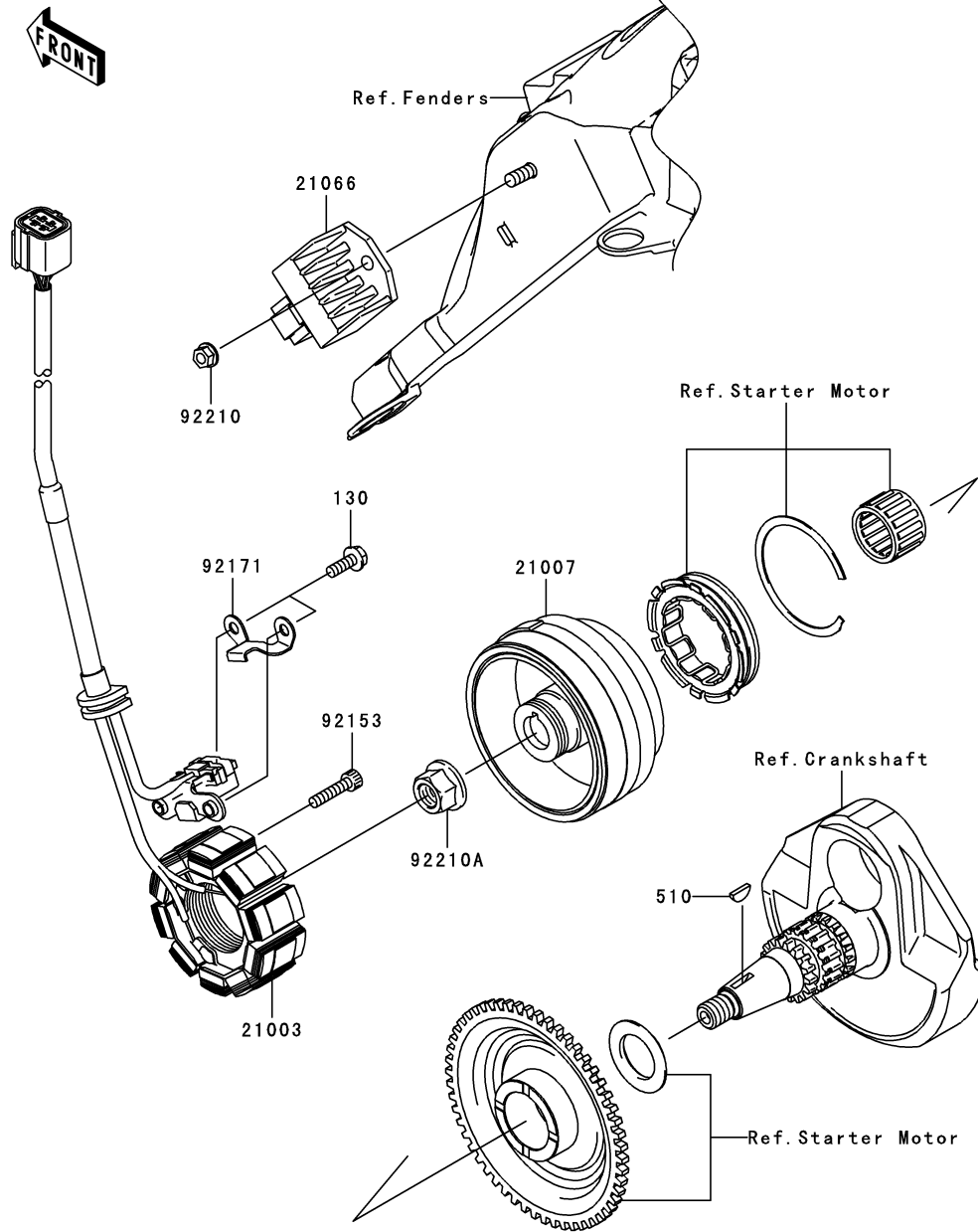
GRID NO.

C-14

This grid covers:

Generator

E1810



Ref. No.	Part No.	Description	Quantity-KLX450			
			'08	'09	'10	
			A8F	A9F	AAF	
21003	21003-0090	STATOR	1	1	1	
21007	21007-0097	ROTOR	1	1	1	
21066	21066-0015	REGULATOR-VOLTAGE	1	1	1	
92153	92153-1761	BOLT, SOCKET, 4X22	4	4	4	
92171	92171-0822	CLAMP	1	1	1	
92210	92210-0188	NUT, 6MM	1	1	1	
92210A	92210-1281	NUT, FLANGED, 12MM	1	1	1	
130	130BA0514	BOLT-FLANGED, 5X14	2	2	2	
510	510A3200	KEY-WOODRUFF	1	1	1	

This catalog covers:

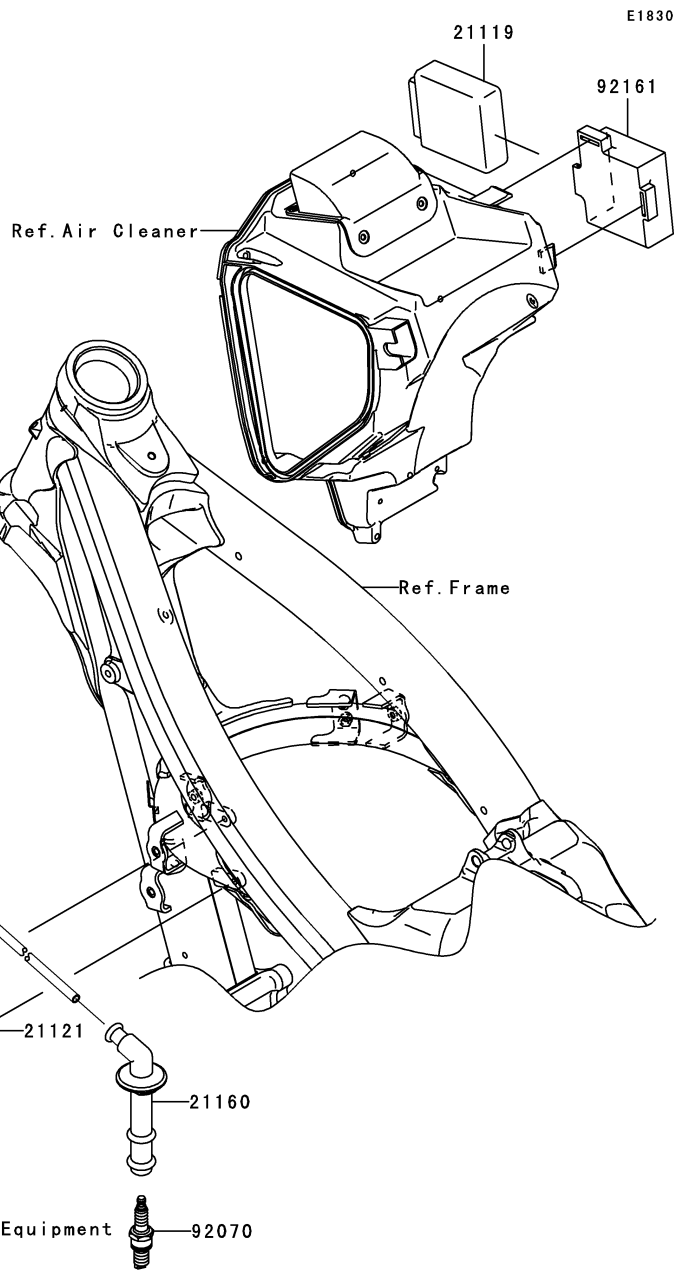
'08~'10 KLX450 A8F/A9F/AAF Engine

GRID NO.

D-3

This grid covers:

Ignition System



Ref. No.	Part No.	Description	Spec Code	Quantity-KLX450				
				'08	'09	'10		
				A8F	A9F	AAF		
21119	21119-0074	IGNITER		1	1	1		
21121	21121-0016	COIL-IGNITION		1	1	1		
21160	21160-0011	CAP-ASSY-PLUG		1	1	1		
92070	92070-0020	PLUG-SPARK,CPR8EB-9(NGK)		1	1	1		
92161	92161-0433	DAMPER		1	1	1		
130	130BB0520	BOLT-FLANGED,5X20		2	2	2		

Ref. Chassis Electrical Equipment

This catalog covers:

'08~'10 KLX450 A8F/A9F/AAF Engine

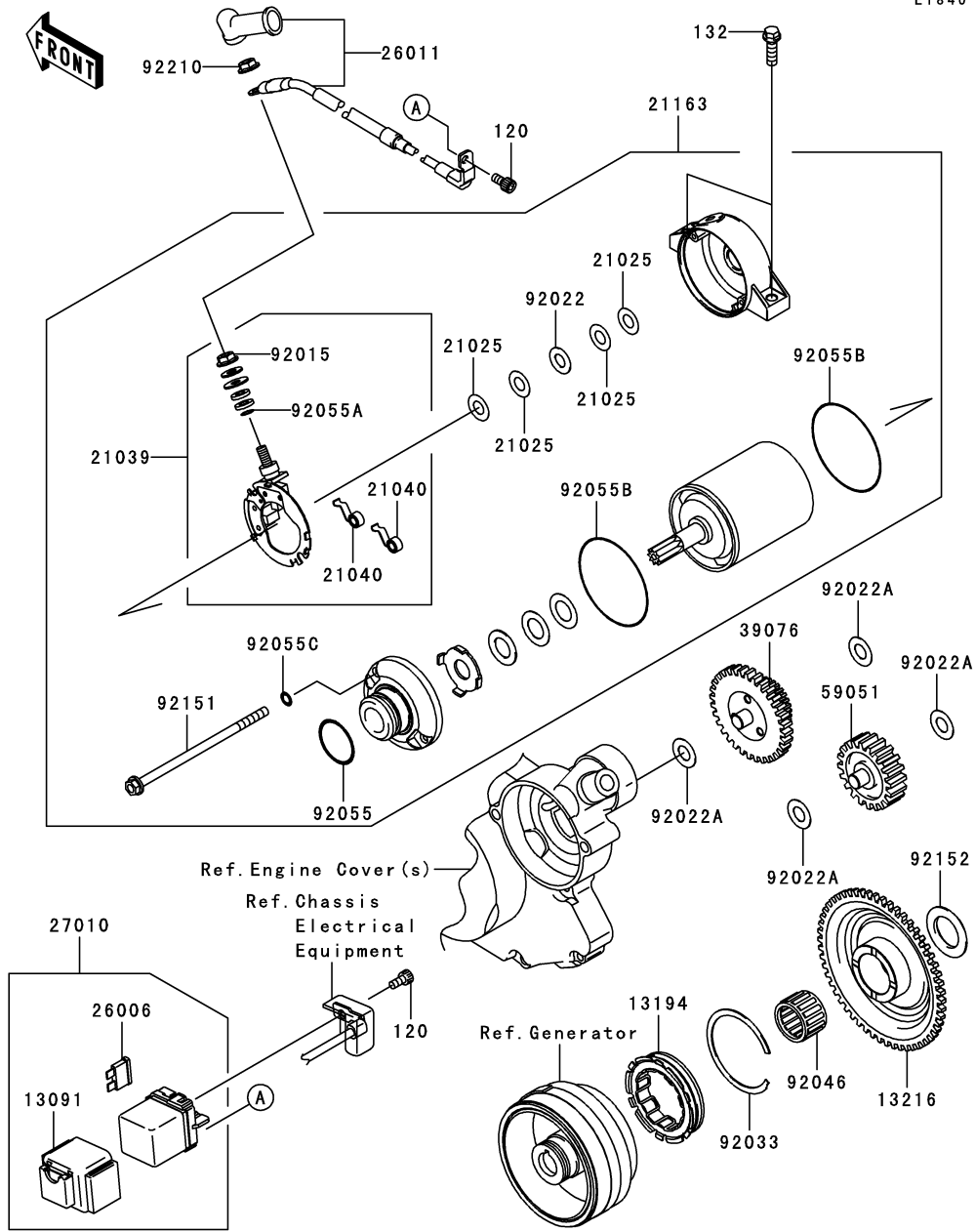
GRID NO.

D-4

This grid covers:

Starter Motor

E1840



Ref. No.	Part No.	Description	Spec Code	Quantity-KLX450		
				'08	'09	'10
				A8F	A9F	AAF
13091	13091-1992	HOLDER	1	1	1	
13194	13194-0008	CLUTCH-ONEWAY	1	1	1	
13216	13216-0034	GEAR-COMP	1	1	1	
21025	21025-011	WASHER,9.1X18X0.2	AR	AR	AR	
21039	21039-0006	BRUSH	1	1	1	
21040	21040-1057	SPRING-BRUSH	2	2	2	
21163	21163-0038	STARTER-ELECTRIC	1	1	1	
26006	26006-1051	FUSE,20A-Y	1	1	1	
26011	26011-0133	WIRE-LEAD	1	1	1	
27010	27010-0004	SWITCH	1	1	1	
39076	39076-0012	LIMITER	1	1	1	
59051	59051-0074	GEAR-SPUR,IDLER	1	1	1	
92015	92015-1476	NUT,STARTER MOTOR	1	1	1	
92022	92022-1132	WASHER,9.1X18X0.8	1	1	1	
92022A	92022-1649	WASHER,10.2X20X0.5	4	4	4	
92033	92033-3731	RING-SNAP	1	1	1	
92046	92046-0026	BEARING-NEEDLE,K22X28X17V1	1	1	1	
92055	92055-1276	RING-O	1	1	1	
92055A	92055-1370	RING-O,4.5X2.0	1	1	1	
92055B	92055-1550	RING-O	2	2	2	
92055C	92055-1551	RING-O	2	2	2	
92151	92151-1158	BOLT	2	2	2	
92152	92152-0515	COLLAR,22X27.5X4.1	1	1	1	
92210	92210-0188	NUT,6MM	1	1	1	
120	120CB0510	BOLT-SOCKET,5X10	2	2	2	
132	132BC0620	BOLT-FLANGED-SMALL,6X20	2	2	2	

This catalog covers:

'08~'10 KLX450 A8F/A9F/AAF Engine

GRID NO.

D-5

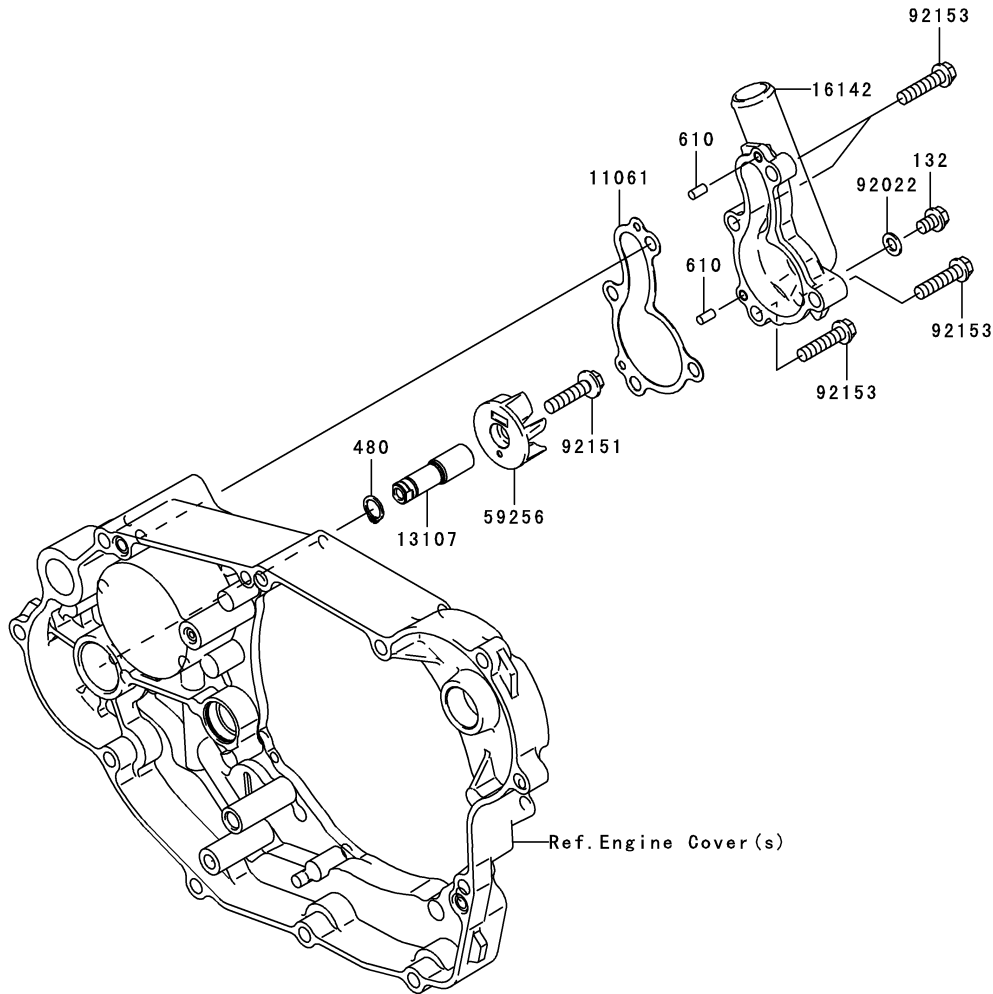
This grid covers:

Water Pump

E3031

Ref. No.	Part No.	Description	Spec Code	Quantity-KLX450		
				'08	'09	'10
				A8F	A9F	AAF

11061	11061-0225	GASKET,WATER PUMP COVER		1	1	1
13107	13107-0135	SHAFT,WATER PUMP		1	1	1
16142	16142-0029	COVER-PUMP,WATER		1	1	1
59256	59256-0003	IMPELLER		1	1	1
92022	92022-304	WASHER,6.2X11X1		1	1	1
92151	92151-1546	BOLT,FLANGED,6X25		1	1	1
92153	92153-1784	BOLT,FLANGED-SMALL,6X25		4	4	4
132	132BA0608	BOLT-FLANGED-SMALL,6X8		1	1	1
480	480J1000	CIRCLIP-TYPE-C,10MM		1	1	1
610	610A0408	ROLLER,4X8		2	2	2



This catalog covers:

'08~'10 KLX450 A8F/A9F/AAF Engine

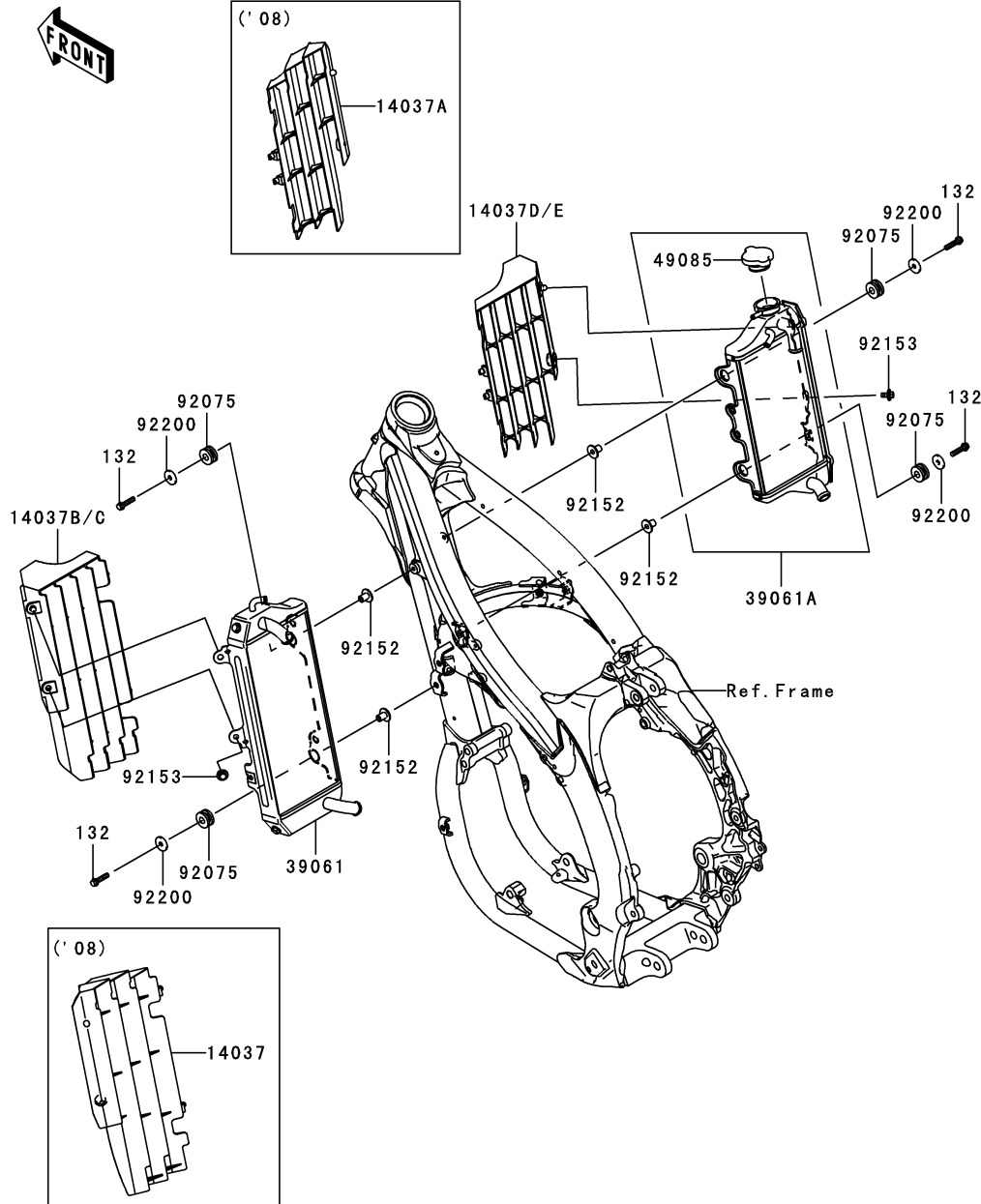
GRID NO.

D-6

This grid covers:

Radiator

E3032



Ref. No.	Part No.	Description	Spec Code	Quantity-KLX450			
				'08	'09	'10	
				A8F	A9F	AAF	
14037	14037-0036-RZ	SCREEN,LH,WHITE	1				
14037A	14037-0037-RZ	SCREEN,RH,WHITE	1				
14037B	14037-0092-RZ	SCREEN,LH,WHITE		1			
14037C	14037-0092-6C	SCREEN,LH,EBONY			1		
14037D	14037-0093-RZ	SCREEN,RH,WHITE		1			
14037E	14037-0093-6C	SCREEN,RH,EBONY			1		
39061	39061-0052	RADIATOR-ASSY,LH	1	1	1		
39061A	39061-0086	RADIATOR-ASSY,RH	1	1	1		
49085	49085-1078	CAP-ASSY-PRESSURE	1	1	1		
92075	92075-209	DAMPER	4	4	4		
92152	92152-0379	COLLAR,6.3X9.5(20)X14.2	4	4	4		
92153	92153-0503	BOLT,6X12	2	2	2		
92200	92200-0271	WASHER,6.5X22X2.3	4	4	4		
132	132BB0625	BOLT-FLANGED-SMALL,6X25	4	4	4		

This catalog covers:

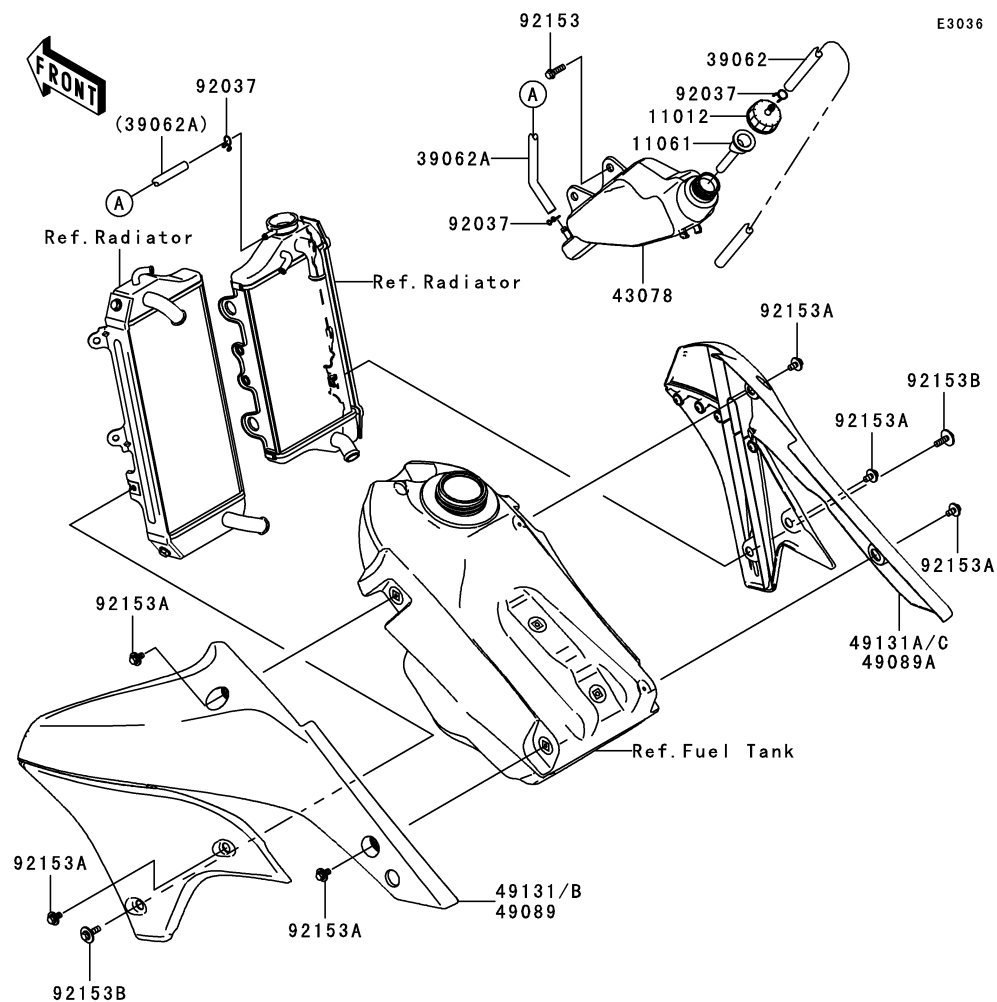
'08~'10 KLX450 A8F/A9F/AAF Engine

GRID NO.

D-7

This grid covers:

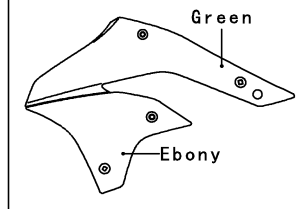
Engine Shrouds



E3036

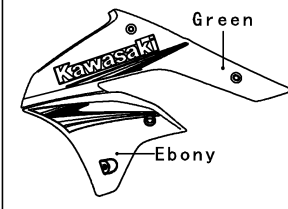
Ref. No.	Part No.	Description	Spec Code	Quantity-KLX450		
				'08	'09	'10
				A8F	A9F	AAF
11012	11012-1854	CAP	1	1	1	
11061	11061-0043	GASKET	1	1	1	
39062	39062-0187	HOSE-COOLING,OVERFLOW	1	1	1	
39062A	39062-0235	HOSE-COOLING,RESERVOIR-RAD	1	1	1	
43078	43078-0039	RESERVOIR	1	1	1	
49089	49089-0042-27W	SHROUD-ENGINE,LH,UP EBO+LO GRN			1	
49089A	49089-0055-27W	SHROUD-ENGINE,RH,UP EBO+LO GRN			1	
49131	49131-5117	SHROUD-ENGINE,LH	1			
49131A	49131-5118	SHROUD-ENGINE,RH	1			
49131B	49131-5146	SHROUD-ENGINE,LH		1		
49131C	49131-5147	SHROUD-ENGINE,RH		1		
92037	92037-147	CLAMP,TUBE	3	3	3	
92153	92153-0502	BOLT,6X20	2	2	2	
92153A	92153-0503	BOLT,6X12	6	6	6	
92153B	92153-0864	BOLT,6X20	2	2	2	

('08)(49131/A)



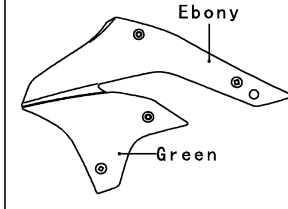
W0D

('09)(49131B/C)



WD

('10)(49089/A)



W0D

This catalog covers:

'08~'10 KLX450 A8F/A9F/AAF Chassis

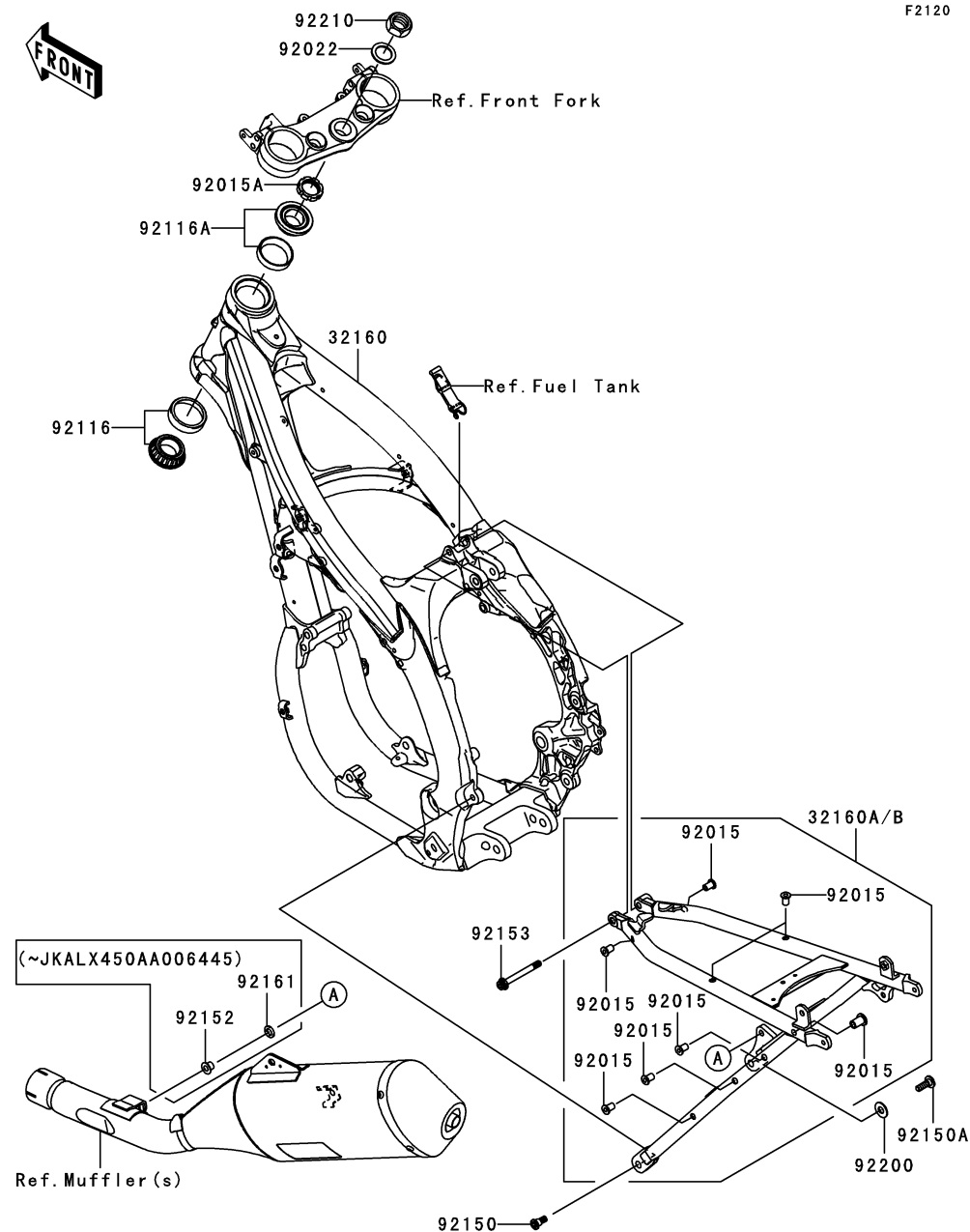
GRID NO.

E-3

This grid covers:

Frame

F2120



Ref. No.	Part No.	Description	Spec Code	Quantity-KLX450			
				'08	'09	'10	
				A8F	A9F	AAF	
32160	32160-0213	FRAME-COMP,FR	1	1	1		
32160A	32160-0288	FRAME-COMP,RR	1				
	(- JKALX450AAA006445)					
32160B	32160-0333	FRAME-COMP,RR	1	1	1		
	(JKALX450AAA006446 -)					
92015	92015-1791	NUT,POP,6MM,L=15	8	8	8		
92015A	92015-1861	NUT,STEERING STEM,28MM	1	1	1		
92022	92022-250	WASHER,25X36X2.3	1	1	1		
92116	92116-1069	BEARING-ROLLER,HI-CAP32006JRRS	1	1	1		
92116A	92116-1076	BEARING-ROLLER,HI-CAP320/28JRR	1	1	1		
92150	92150-1760	BOLT,SOCKET,8X20	1	1	1		
92150A	92150-1845	BOLT,8X25	1	1	1		
92152	92152-0624	COLLAR	1				
	(- JKALX450AAA006445)					
92153	92153-1790	BOLT,SOCKET,8X74	1	1	1		
92161	92161-0564	DAMPER	1				
	(- JKALX450AAA006445)					
92200	92200-0154	WASHER,10.5X24X1.5	1	1	1		
92210	92210-0066	NUT,24MM	1	1	1		

This catalog covers:

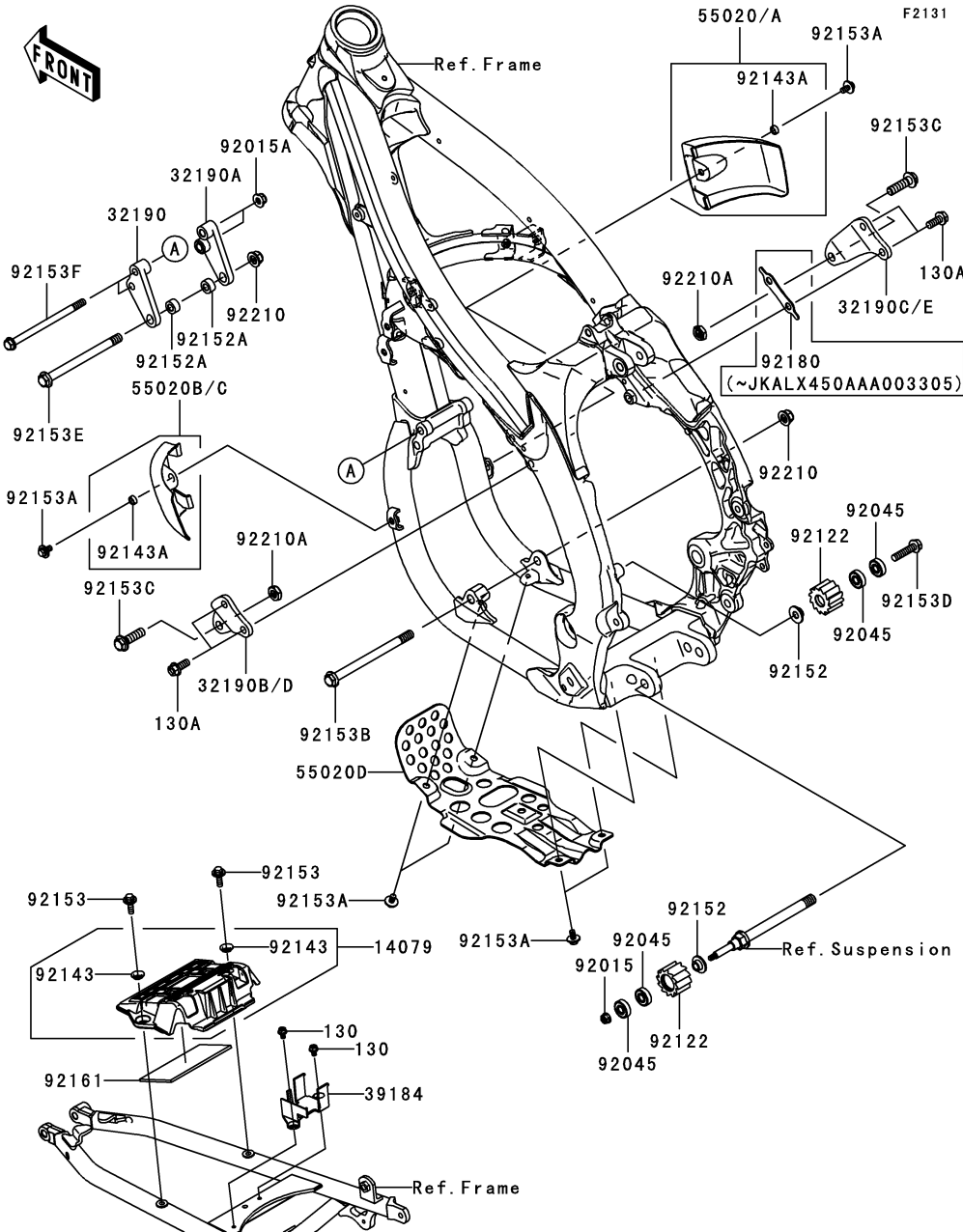
'08~'10 KLX450 A8F/A9F/AAF Chassis

GRID NO.

E-4

This grid covers:

Frame Fittings(1/2)



Ref. No.	Part No.	Description	Spec Code	Quantity-KLX450		
				'08	'09	'10
				A8F	A9F	AAF
14079	14079-0026	HOLDER-ASSY,BATTERY	1	1	1	
32190	32190-0330	BRACKET-ENGINE,FR,LH	1	1	1	
32190A	32190-0331	BRACKET-ENGINE,FR,RH	1	1	1	
32190B	32190-0346	BRACKET-ENGINE,UPP,LH	1			
	(- JKALX450AAA003305)				
32190C	32190-0347	BRACKET-ENGINE,UPP,RH	1			
	(- JKALX450AAA003305)				
32190D	32190-0351	BRACKET-ENGINE,UPP,LH	1	1	1	
	(- JKALX450AAA003306 -				
32190E	32190-0352	BRACKET-ENGINE,UPP,RH	1	1	1	
	(- JKALX450AAA003306 -				
39184	39184-0008	BRACKET-ASSY,SWITCH&RELAY	1	1	1	
55020	55020-0179-RZ	GUARD,ENGINE,RH,WHITE	1	1		
55020A	55020-0179-6C	GUARD,ENGINE,RH,EBONY			1	
55020B	55020-0313-RZ	GUARD,ENGINE,LH,WHITE	1	1		
55020C	55020-0313-6C	GUARD,ENGINE,LH,EBONY			1	
55020D	55020-0369	GUARD,SKID	1	1	1	
92015	92015-1339	NUT,LOCK,FLANGED,6MM	1	1	1	
92015A	92015-1432	NUT,8MM	2	2	2	
92045	92045-0060	BEARING-BALL,608LLU/2A	4	4	4	
92122	92122-0016	ROLLER,CHAIN GUIDE	2	2	2	
92143	92143-1196	COLLAR	2	2	2	
92143A	92143-1307	COLLAR	2	2	2	
92152	92152-0459	COLLAR	2	2	2	
92152A	92152-0595	COLLAR,10.2X20X10	2	2	2	
92153	92153-0502	BOLT,6X20	2	2	2	
92153A	92153-0503	BOLT,6X12	6	6	6	
92153B	92153-0704	BOLT,FLANGED,10X137	1	1	1	
92153C	92153-0802	BOLT,FLANGED,10X35	2	2	2	
92153D	92153-1652	BOLT,FLANGED,8X35	1	1	1	
92153E	92153-1869	BOLT,FLANGED,10X128	1	1	1	
92153F	92153-1870	BOLT,FLANGED,8X126	2	2	2	
92161	92161-0456	DAMPER	1	1	1	
92180	92180-0286	SHIM,T=1.6	1			
	(- JKALX450AAA003305)				
92210	92210-1080	NUT,LOCK,FLANGED,10MM	2	2	2	
92210A	92210-1184	NUT,LOCK,10MM	2	2	2	
130	130BA0510	BOLT-FLANGED,5X10	2	2	2	

This catalog covers:

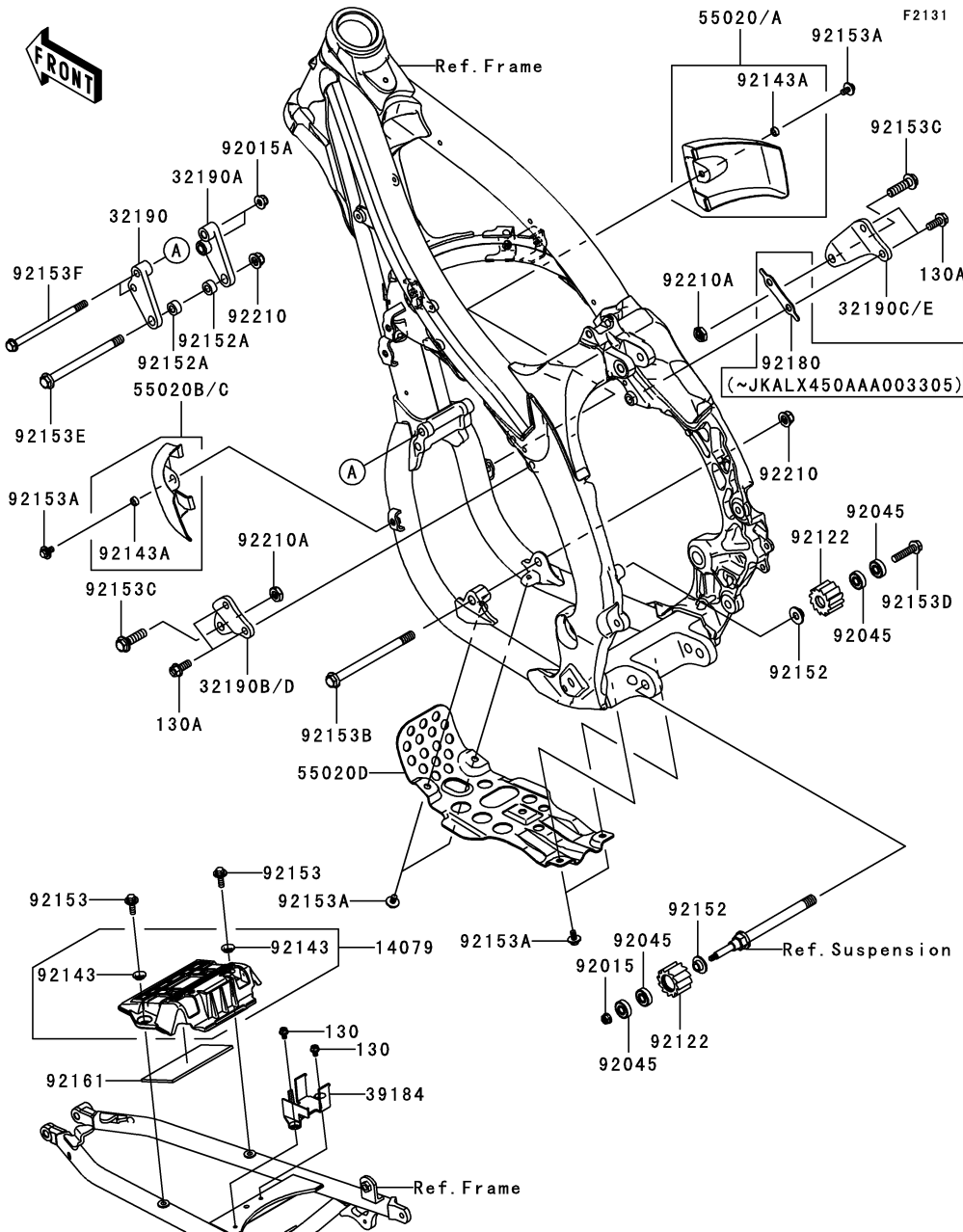
'08~'10 KLX450 A8F/A9F/AAF Chassis

GRID NO.

E-5

This grid covers:

Frame Fittings(2/2)



Ref. No.	Part No.	Description	Spec Code	Quantity-KLX450		
				'08	'09	'10

130A	130CA0818	BOLT-FLANGED,8X18		4	4	4
------	-----------	-------------------	--	---	---	---

This catalog covers:

'08~'10 KLX450 A8F/A9F/AAF Chassis

GRID NO.

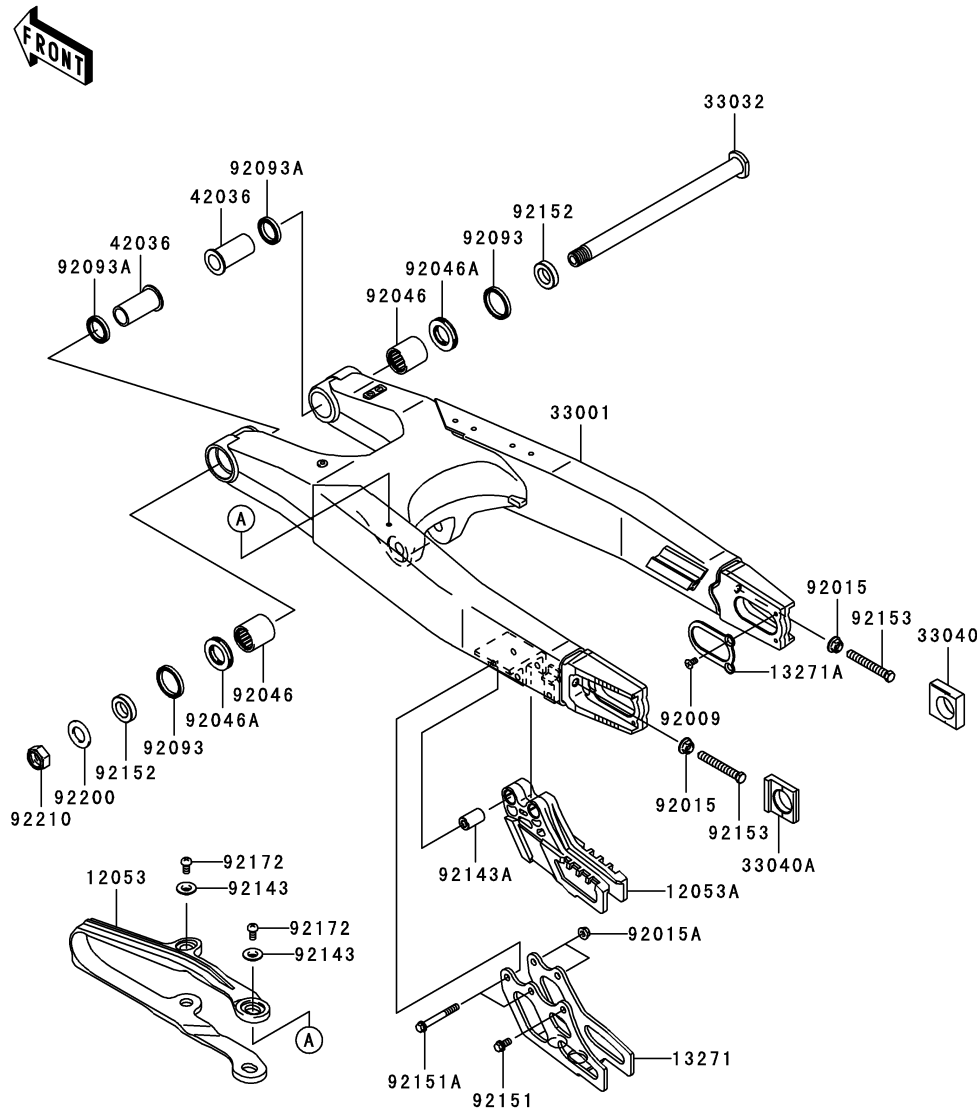
E-6

This grid covers:

Swingarm

F2141

Ref. No.	Part No.	Description	Spec Code	Quantity-KLX450		
				'08	'09	'10
				A8F	A9F	AAF
12053	12053-0053	GUIDE-CHAIN,DRIVE,FR	1	1	1	
12053A	12053-0061	GUIDE-CHAIN	1	1	1	
13271	13271-0593	PLATE,CHAIN GUIDE	1	1	1	
13271A	13271-1833	PLATE,AXLE	2	2	2	
33001	33001-0108	ARM-COMP-SWING	1	1	1	
33032	33032-0012	SHAFT-SWING ARM	1	1	1	
33040	33040-0020	ADJUSTER-CHAIN,RH	1	1	1	
33040A	33040-1189	ADJUSTER-CHAIN,LH	1	1	1	
42036	42036-0019	SLEEVE,SWING ARM,L=47.5	2	2	2	
92009	92009-1828	SCREW,5X10	4	4	4	
92015	92015-1014	NUT,FLANGED,8MM	2	2	2	
92015A	92015-1078	NUT,FLANGED,6MM	2	2	2	
92046	92046-1174	BEARING-NEEDLE,TA2230Z	2	2	2	
92046A	92046-1240	BEARING-NEEDLE,NTBR22356E01	2	2	2	
92093	92093-1434	SEAL,SDO29X35X4.5	2	2	2	
92093A	92093-1435	SEAL,SDO22X29X5	2	2	2	
92143	92143-1676	COLLAR	4	4	4	
92143A	92143-1867	COLLAR,6.5X14X24	2	2	2	
92151	92151-1133	BOLT,6X12	1	1	1	
92151A	92151-1234	BOLT,6X50	2	2	2	
92152	92152-0292	COLLAR,17.1X29X6	2	2	2	
92153	92153-0620	BOLT,8X56	2	2	2	
92172	92172-0119	SCREW,5X8	4	4	4	
92200	92200-0285	WASHER,17.2X30X2.3	1	1	1	
92210	92210-0285	NUT,LOCK,16MM	1	1	1	



This catalog covers:

'08~'10 KLX450 A8F/A9F/AAF Chassis

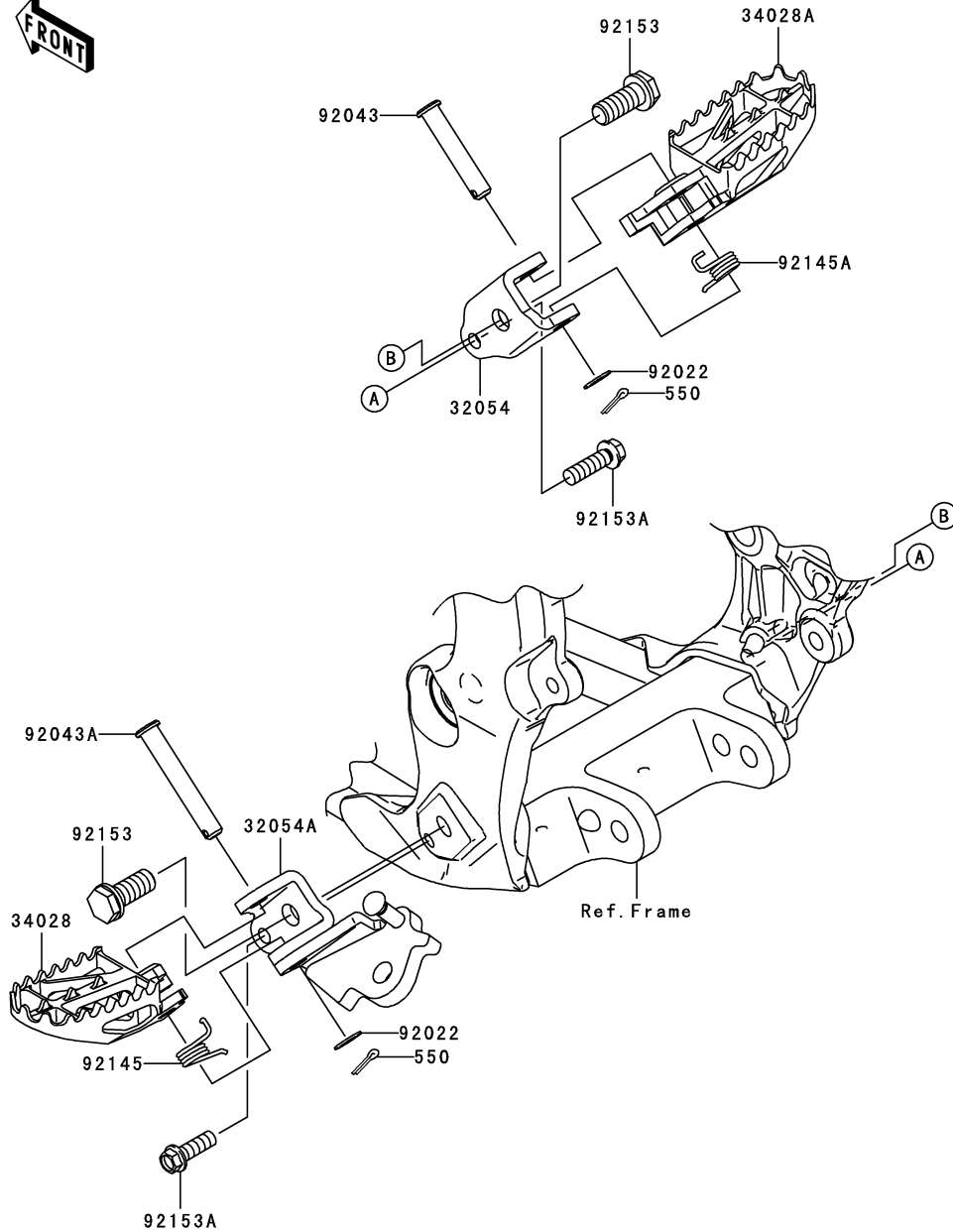
GRID NO.

E-8

This grid covers:

Footrests

F2160



Ref. No.	Part No.	Description	Spec Code	Quantity-KLX450			
				'08	'09	'10	
				A8F	A9F	AAF	
32054	32054-0021	BRACKET-STEP,RH	1	1	1		
32054A	32054-0031	BRACKET-STEP,LH	1	1	1		
34028	34028-0014	STEP,LH	1	1	1		
34028A	34028-0015	STEP,RH	1	1	1		
92022	92022-1829	WASHER,10.2X16X1	2	2	2		
92043	92043-0074	PIN,10X42.5	1	1	1		
92043A	92043-0090	PIN,10X53	1	1	1		
92145	92145-0198	SPRING,STEP,LH	1	1	1		
92145A	92145-0199	SPRING,STEP,RH	1	1	1		
92153	92153-0653	BOLT,FLANGED,12X23	2	2	2		
92153A	92153-0838	BOLT,FLANGED,8X25	2	2	2		
550	550S3020	PIN-COTTER,3.0X20	2	2	2		

This catalog covers:

'08~'10 KLX450 A8F/A9F/AAF Chassis

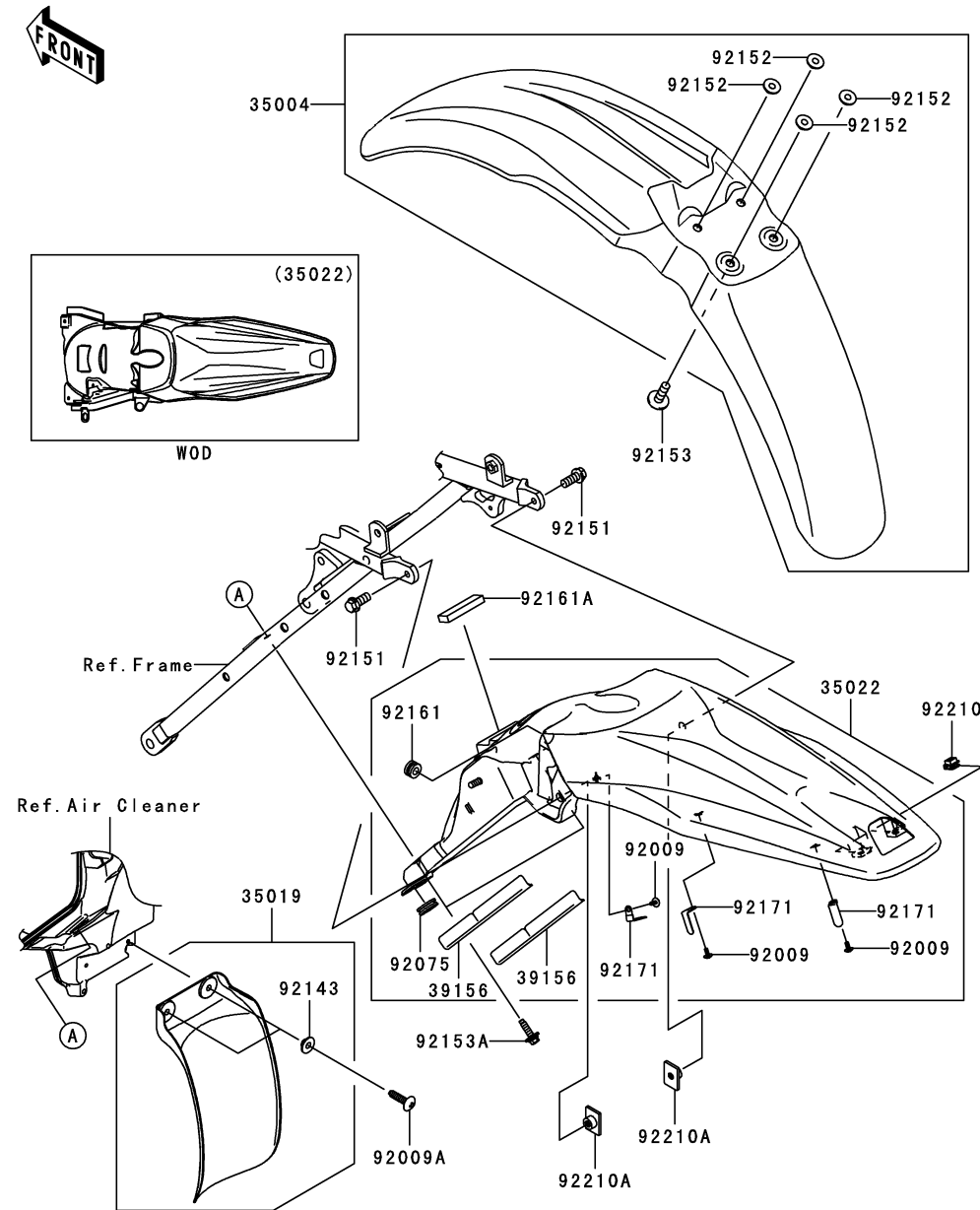
GRID NO.

E-9

This grid covers:

Fenders

F2170



Ref. No.	Part No.	Description	Spec Code	Quantity-KLX450			
				'08	'09	'10	
				A8F	A9F	AAF	
35004	35004-0078-290	FENDER-FRONT,L.GREEN	1	1	1		
35019	35019-0050	FLAP,AIR FILTER	1	1	1		
35022	35022-0046-290	FENDER-COMP-REAR,L.GREEN	1	1	1		
39156	39156-0335	PAD	2	2	2		
92009	92009-1155	SCREW,TAPPING,4X8	3	3	3		
92009A	92009-1993	SCREW,TAPPING,5X20	2	2	2		
92075	92075-1912	DAMPER	1	1	1		
92143	92143-1087	COLLAR	2	2	2		
92151	92151-1423	BOLT,6X14	2	2	2		
92152	92152-1422	COLLAR	4	4	4		
92153	92153-0864	BOLT,6X20	4	4	4		
92153A	92153-1852	BOLT,FLANGED,6X23	2	2	2		
92161	92161-0279	DAMPER	1	1	1		
92161A	92161-0457	DAMPER	1	1	1		
92171	92171-0181	CLAMP	3	3	3		
92210	92210-0351	NUT,5MM	2	2	2		
92210A	92210-1352	NUT,PLATE,6MM	2	2	2		

This catalog covers:

'08~'10 KLX450 A8F/A9F/AAF Chassis

GRID NO.

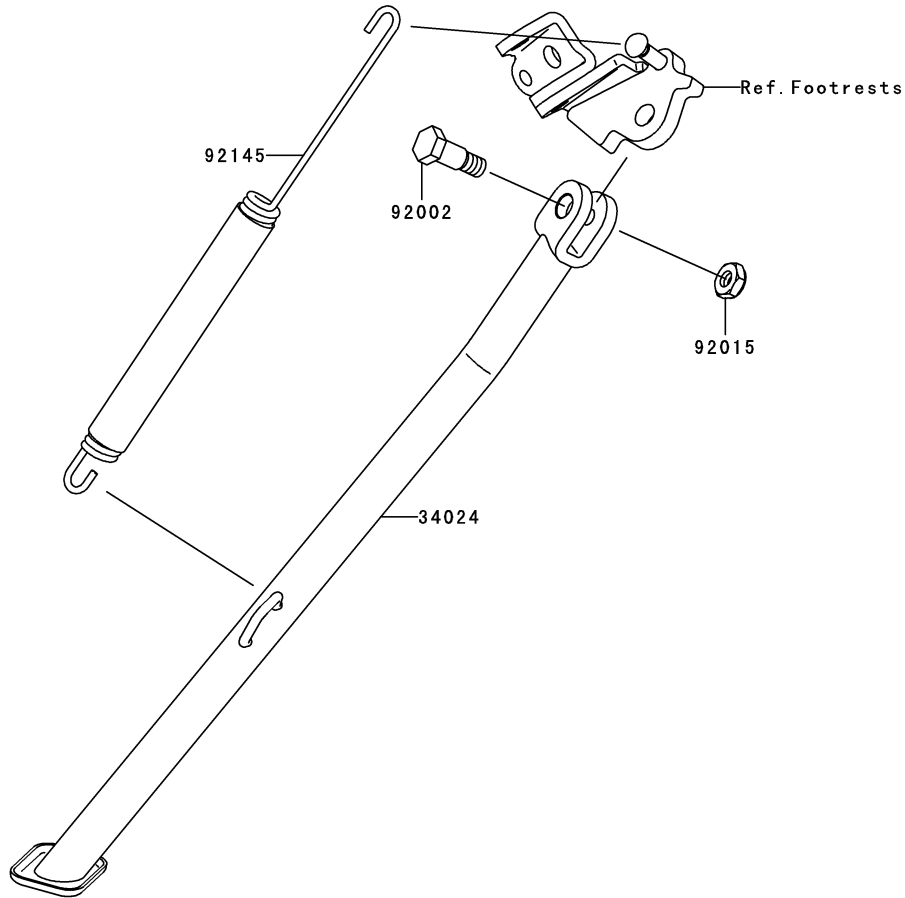
E-10

This grid covers:

Stand(s)

F2190

Ref. No.	Part No.	Description	Spec Code	Quantity-KLX450		
				'08	'09	'10
				A8F	A9F	AAF
34024	34024-0036-458	STAND-SIDE,P.SILVER		1	1	1
92002	92002-1813	BOLT,SIDE STAND		1	1	1
92015	92015-1188	NUT,LOCK,10MM,BLACK		1	1	1
92145	92145-0454	SPRING,SIDE STAND		1	1	1



This catalog covers:

'08~'10 KLX450 A8F/A9F/AAF Chassis

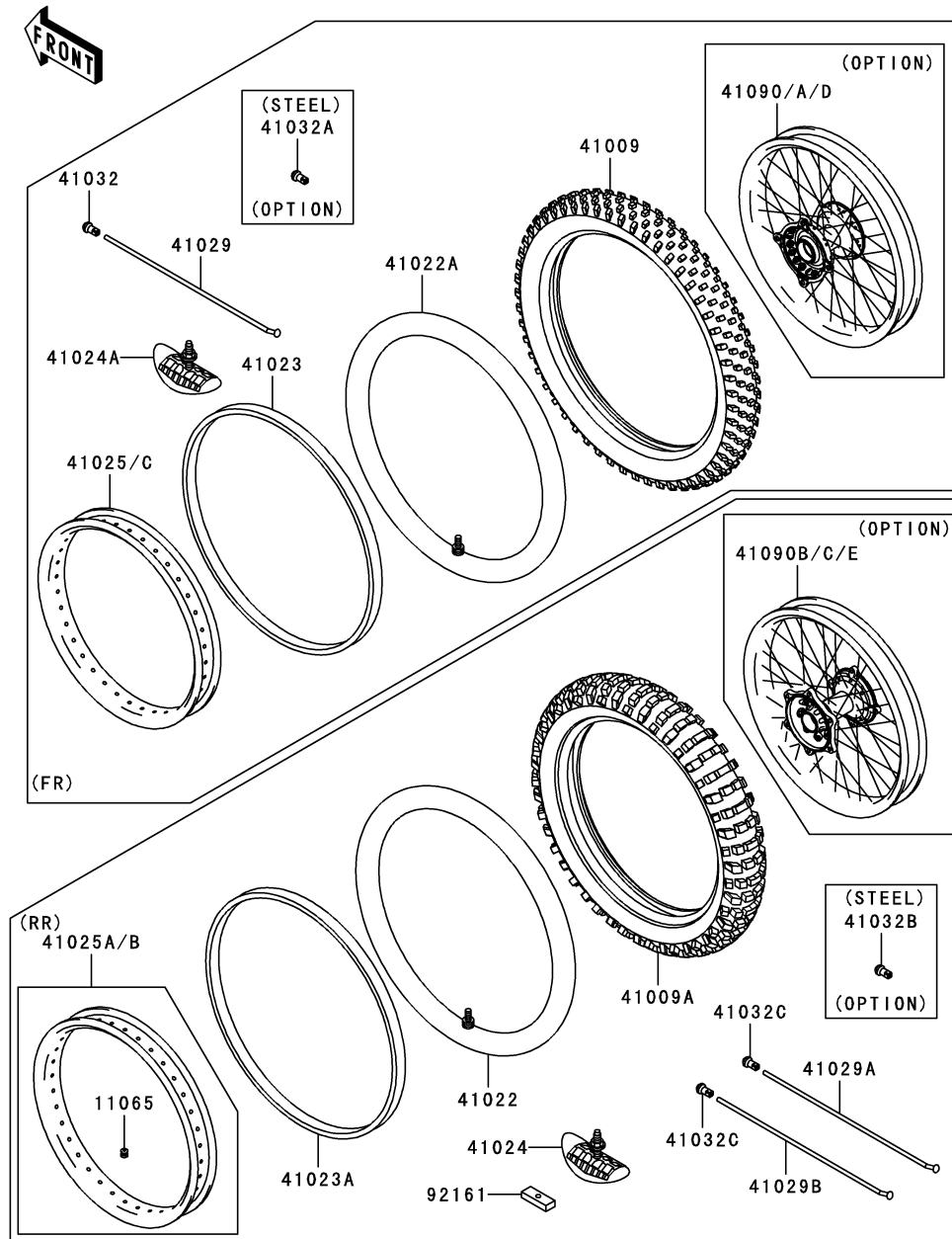
GRID NO.

E-11

This grid covers:

Tires

F2210



Ref. No.	Part No.	Description	Spec Code	Quantity-KLX450		
				'08	'09	'10
				A8F	A9F	AAF
11065	11065-0219	CAP,BEAD SPACER HOLE	1	1	1	
41009	41009-0153	TIRE,FR,80/100 51P,ED03(BS)	1	1	1	
41009A	41009-0154	TIRE,RR,120/90-18 65P,ED04G(BS)	1	1	1	
41022	41022-0026	TUBE-TIRE,120/90-18(BS)	1	1	1	
41022A	41022-1107	TUBE-TIRE,MC90/90-21(BS)	1	1	1	
41023	41023-1009	BAND-RIM,X-21(BS)	1	1	1	
41023A	41023-1010	BAND-RIM,X-18(BS)	1	1	1	
41024	41024-009	STOPPER-RIM,2.15-M(DUNLOP)	1	1	1	
41024A	41024-010	STOPPER-RIM,1.60-M(DUNLOP)	1	1	1	
41025	41025-0014	RIM,FR,1.60X21	1	1		
41025A	41025-0083	RIM,RR,2.15X18	1	1		
41025B	41025-0083-WC	RIM,RR,2.15X18,BLACK			1	
41025C	41025-0094-WC	RIM,FR,1.60X21,BLACK			1	
41029	41029-0003	SPOKE-INNER,FR	36	36	36	
41029A	41029-0039	SPOKE-INNER,RR,191MMX162D	27	27	27	
41029B	41029-0040	SPOKE-INNER,RR,194MMX160D	9	9	9	
41032	41032-0002	NIPPLE-SPOKE,ALUMINIUM	36	36	36	
41032A	41032-1077	NIPPLE-SPOKE,8X9X20(+)	36	36	36	
41032B	41032-1085	NIPPLE-SPOKE,STEEL	36	36	36	
41032C	41032-1086	NIPPLE-SPOKE,ALUMINIUM	36	36	36	
41090	41090-0039-10Y	WHEEL,FR,1.60X21,ALUM,M.M.GOLD	1			
41090A	41090-0039-458	WHEEL,FR,1.60X21,ALUM,SILVER		1		
41090B	41090-0040-10Y	WHEEL,RR,2.15X18,ALUM,M.M.GOLD	1			
41090C	41090-0040-458	WHEEL,RR,2.15X18,ALUM,SILVER		1		
41090D	41090-0117-WC	WHEEL,FR,1.60X21,AL NIPPLE,BLK			1	
41090E	41090-0118-WC	WHEEL,RR,2.15X18,AL NIPPLE,BLK			1	
92161	92161-1184	DAMPER,RIM STOPPER	1	1	1	

This catalog covers:

'08~'10 KLX450 A8F/A9F/AAF Chassis

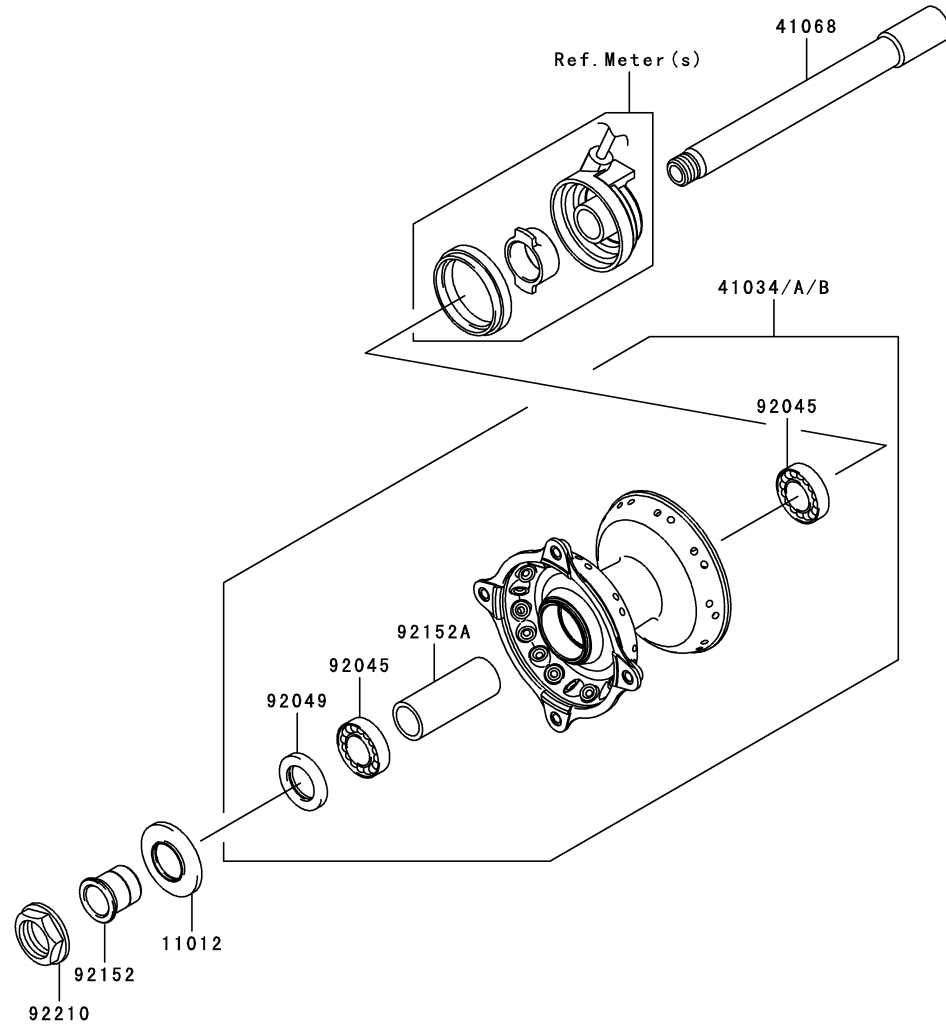
GRID NO.

E-12

This grid covers:

Front Hub

F2230



Ref. No.	Part No.	Description	Spec Code	Quantity-KLX450			
				'08	'09	'10	
				A8F	A9F	AAF	
11012	11012-1581	CAP,AXLE	1	1	1		
41034	41034-0050-10Y	DRUM-ASSY,FRONT BRAKE,M.M.GOLD	1				
41034A	41034-0050-458	DRUM-ASSY,FRONT BRAKE,P.SILVER		1			
41034B	41034-0066	DRUM-ASSY,FRONT BRAKE				1	
41068	41068-0004	AXLE,FR	1	1	1		
92045	92045-1284	BEARING-BALL,69042RS	2	2	2		
92049	92049-1403	SEAL-OIL,BJNC-2 25X37X5	1	1	1		
92152	92152-0324	COLLAR,FR AXLE,L=27.5	1	1	1		
92152A	92152-0514	COLLAR,FRONT BRAKE DRUM,L=68	1	1	1		
92210	92210-0065	NUT,18MM	1	1	1		

This catalog covers:

'08~'10 KLX450 A8F/A9F/AAF Chassis

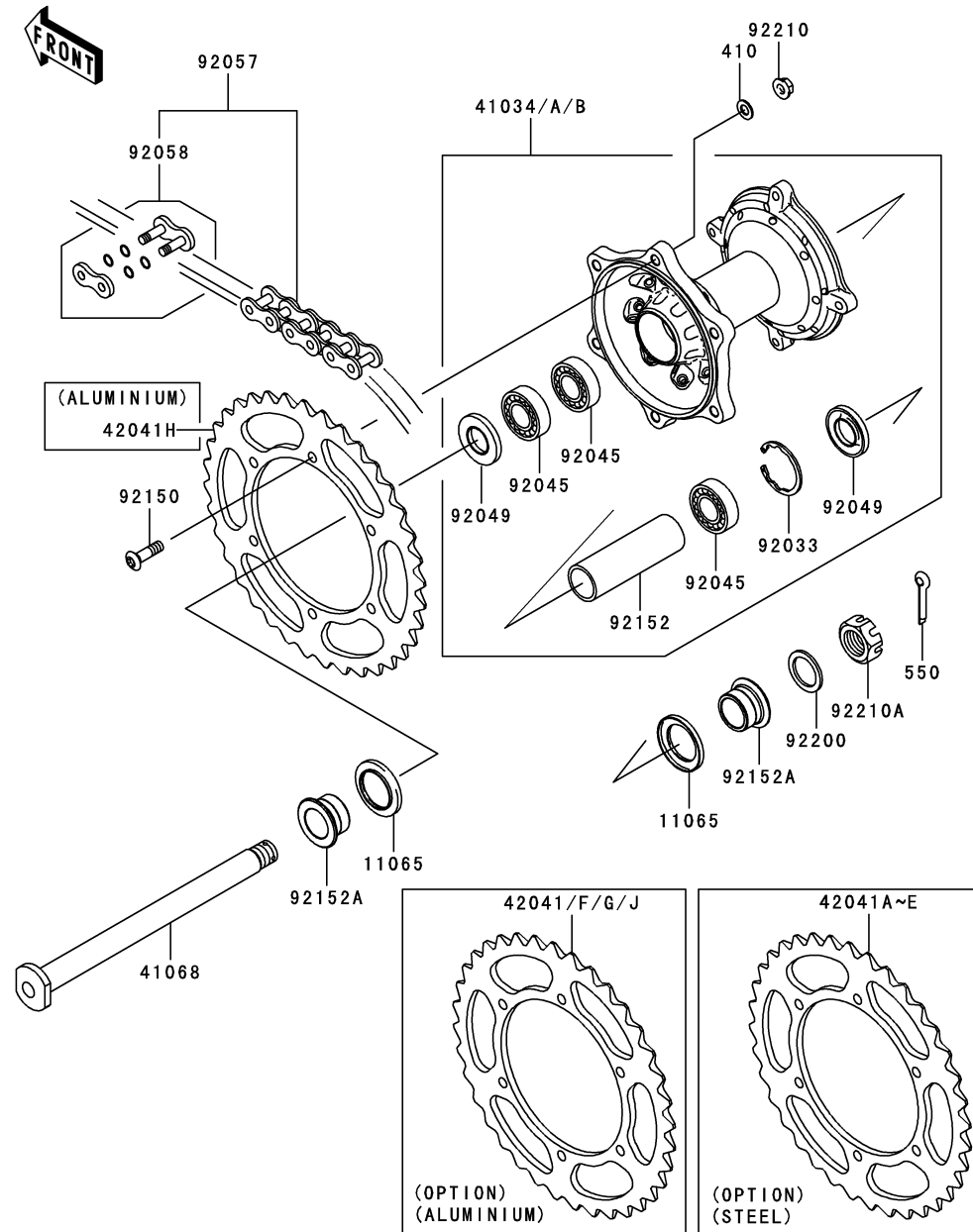
GRID NO.

E-13

This grid covers:

Rear Hub

F2240



Ref. No.	Part No.	Description	Quantity-KLX450			
			'08	'09	'10	
			A8F	A9F	AAF	
11065	11065-1253	CAP,AXLE	2	2	2	
41034	41034-0035-10Y	DRUM-ASSY,REAR BRAKE,M.M.GOLD	1			
41034A	41034-0035-458	DRUM-ASSY,REAR BRAKE,P.SILVER		1		
41034B	41034-0057	DRUM-ASSY,REAR BRAKE			1	
41068	41068-1466	AXLE,RR	1	1	1	
42041	42041-0001	SPROCKET-HUB,52T,AL (OPTION)	1	1	1	
42041A	42041-1383	SPROCKET-HUB,48T (OPTION)	1	1	1	
42041B	42041-1384	SPROCKET-HUB,49T (OPTION)	1	1	1	
42041C	42041-1408	SPROCKET-HUB,50T (OPTION)	1	1	1	
42041D	42041-1428	SPROCKET-HUB,51T (OPTION)	1	1	1	
42041E	42041-1429	SPROCKET-HUB,52T (OPTION)	1	1	1	
42041F	42041-1448	SPROCKET-HUB,48T,AL (OPTION)	1	1	1	
42041G	42041-1449	SPROCKET-HUB,49T,AL (OPTION)	1	1	1	
42041H	42041-1450	SPROCKET-HUB,50T,AL	1	1	1	
42041J	42041-1451	SPROCKET-HUB,51T,AL (OPTION)	1	1	1	
92033	92033-1041	RING-SNAP,42MM	1	1	1	
92045	92045-1446	BEARING-BALL,69052RS	3	3	3	
92049	92049-1614	SEAL-OIL	2	2	2	
92057	92057-0149	CHAIN,DRIVE,DID520MXVX114L	1	1	1	
92058	92058-0011	JOINT-CHAIN,DRIVE	1	1	1	
92150	92150-1978	BOLT,SOCKET,8X28	6	6	6	
92152	92152-1427	COLLAR,REAR BRAKE DRUM,L=106.5	1	1	1	
92152A	92152-1473	COLLAR,RR AXLE,L=17	2	2	2	
92200	92200-1623	WASHER,22.5X35X2.3	1	1	1	
92210	92210-0159	NUT,FLANGED,LOCK,8MM	6	6	6	
92210A	92210-1411	NUT,CASTLE,22MM	1	1	1	
410	410AA0800	WASHER-PLAIN-SMALL,8MM	6	6	6	
550	550AA3035	PIN-COTTER,3.0X35	1	1	1	

This catalog covers:

'08~'10 KLX450 A8F/A9F/AAF Chassis

GRID NO.

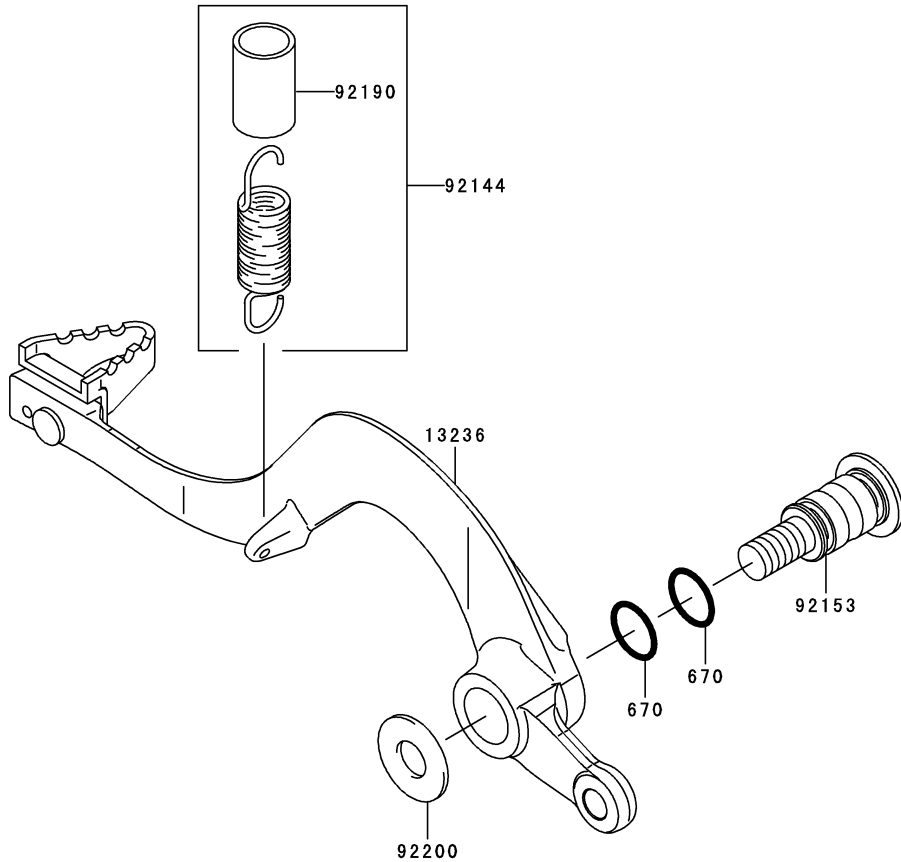
E-14

This grid covers:

Brake Pedal

F2260

Ref. No.	Part No.	Description	Spec Code	Quantity-KLX450				
				'08	'09	'10		
				A8F	A9F	AAF		
13236	13236-0086	LEVER-COMP,BRAKE PEDAL	1	1	1			
92144	92144-1752	SPRING,BRAKE PEDAL RETURN	1	1	1			
92153	92153-0974	BOLT,BRAKE PEDAL,10MM	1	1	1			
92190	92190-1488	TUBE,13X16X25	1	1	1			
92200	92200-0154	WASHER,10.5X24X1.5	1	1	1			
670	670B2012	O RING,12MM	2	2	2			



This catalog covers:

'08~'10 KLX450 A8F/A9F/AAF Chassis

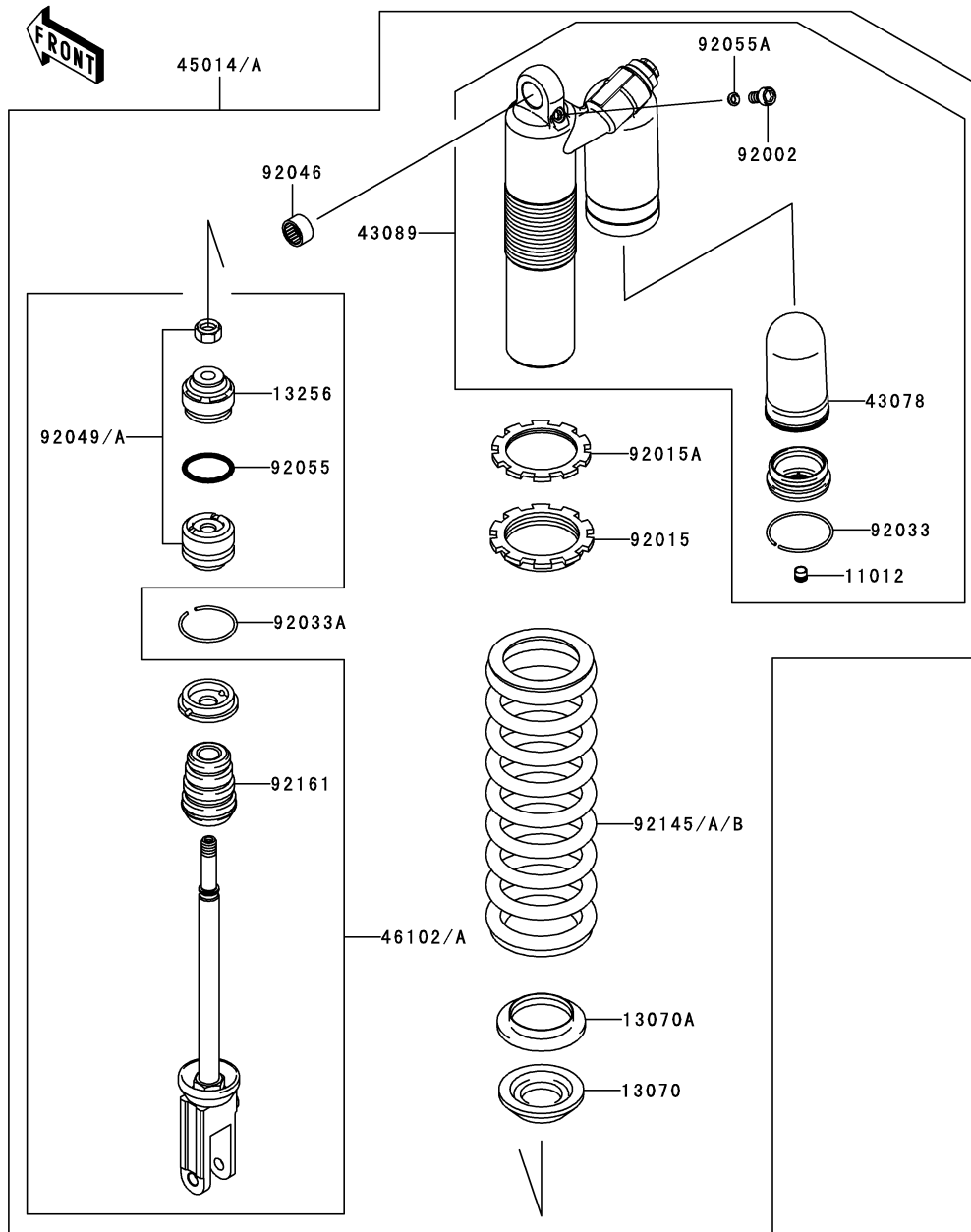
GRID NO.

F-3

This grid covers:

Shock Absorber(s)

F2280



Ref. No.	Part No.	Description	Spec Code	Quantity-KLX450			
				'08	'09	'10	
				A8F	A9F	AAF	
11012	11012-1552	CAP,AIR VALVE	1	1	1		
13070	13070-0029	GUIDE,SPRING	1	1	1		
13070A	13070-1362	GUIDE,SPRING	1	1	1		
13256	13256-0002	PISTON,SHOCKABSORBER	1	1	1		
43078	43078-0031	RESERVOIR,SHOCKABSORBER	1	1	1		
43089	43089-0010-829	CYLINDER-SHOCKABSORBER,GOLD	1	1	1		
45014	45014-0252-23D	SHOCK,SPRING SIL+BODY GOLD		1	1		
45014A	45014-5041	SHOCKABSORBER	1				
46102	46102-0108	ROD,SHOCKABSORBER	1				
46102A	46102-0137	ROD,SHOCKABSORBER			1	1	
92002	92002-1955	BOLT,DRAIN	1	1	1		
92015	92015-1703	NUT,SPRING ADJUST	1	1	1		
92015A	92015-1704	NUT,SPRING ADJUST LOCK	1	1	1		
92033	92033-0044	RING-SNAP	1	1	1		
92033A	92033-1209	RING-SNAP	1	1	1		
92046	92046-1301	BEARING-NEEDLE,7E-HVS16X22X12	1	1	1		
92049	92049-0057	SEAL-OIL	1				
92049A	92049-0100	SEAL-OIL		1	1		
92055	92055-1346	RING-O,ROD	1	1	1		
92055A	92055-1383	RING-O	1	1	1		
92145	92145-0015-8V	SPRING,SHOCK,K=50.0N/MM,SIL	1	1	1		
92145A	92145-0016-8V (OPTION)	SPRING,SHOCK,K=52N/MM,I.SILVER	1	1	1		
92145B	92145-0244-8V (OPTION)	SPRING,SHOCK,K=54N/MM,I.SILVER	1	1	1		
92161	92161-1172	DAMPER,SHOCKABSORBER	1	1	1		

This catalog covers:

'08~'10 KLX450 A8F/A9F/AAF Chassis

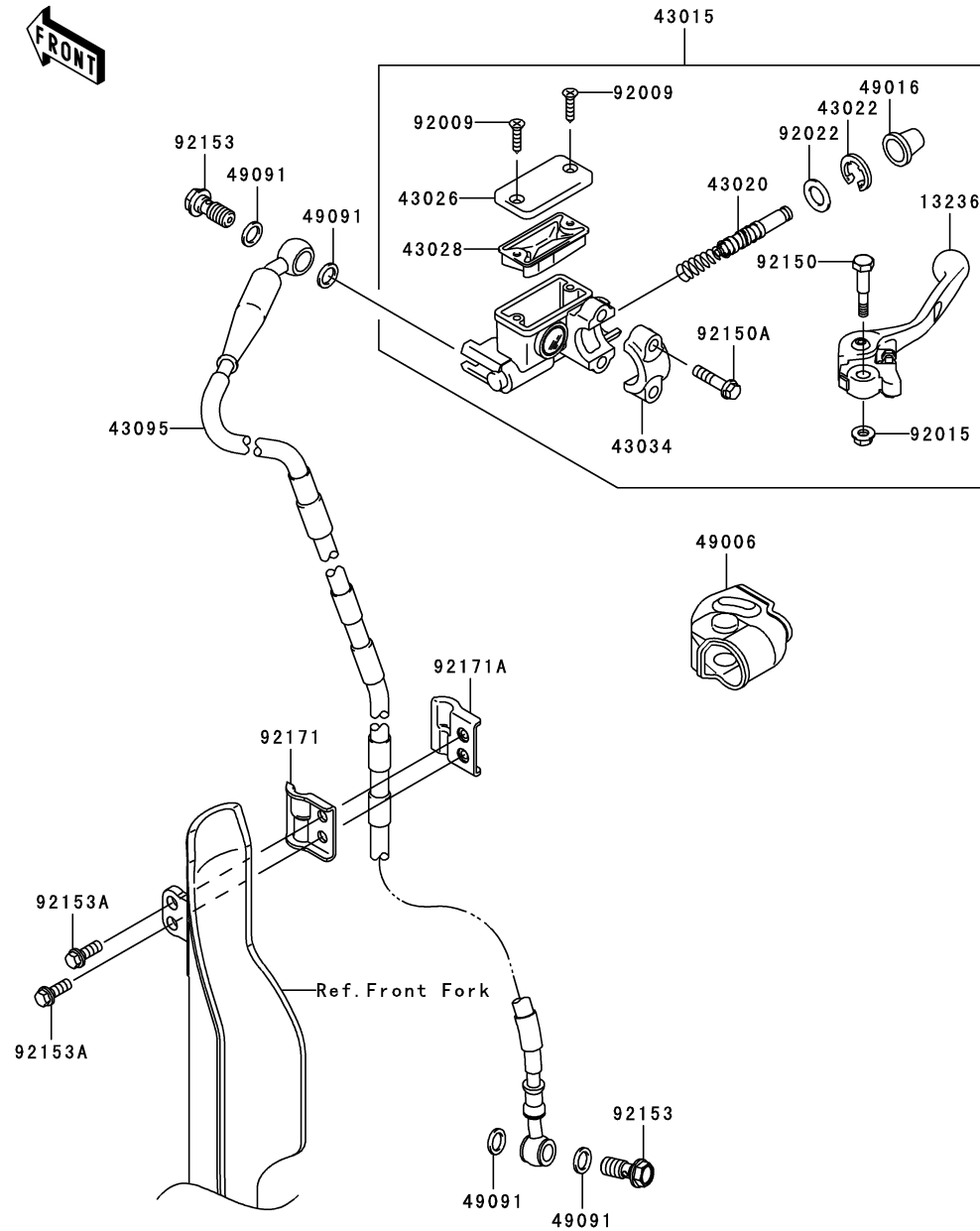
GRID NO.

F-4

This grid covers:

Front Master Cylinder

F2291



Ref. No.	Part No.	Description	Spec Code	Quantity-KLX450		
				'08	'09	'10
				A8F	A9F	AAF
13236	13236-1346	LEVER-COMP,FRONT BRAKE	1	1	1	
43015	43015-1674	CYLINDER-ASSY-MASTER,FR	1	1	1	
43020	43020-1123	PISTON-COMP-BRAKE	1	1	1	
43022	43022-1010	STOPPER-BRAKE,PISTON	1	1	1	
43026	43026-1075	CAP-BRAKE,MASTER CYLINDER	1	1	1	
43028	43028-1067	DIAPHRAGM	1	1	1	
43034	43034-1110	HOLDER-BRAKE	1	1	1	
43095	43095-0314	HOSE-BRAKE,FR	1	1	1	
49006	49006-1344	BOOT,FRONT BRAKE LEVER	1	1	1	
49016	49016-1044	COVER-SEAL,MASTER CYLINDER	1	1	1	
49091	49091-0001	WASHER-SEAL,10.1X14.5X1.5	4	4	4	
92009	92009-1458	SCREW,4MM	2	2	2	
92015	92015-1528	NUT,FLANGED,6MM	1	1	1	
92022	92022-1814	WASHER	1	1	1	
92150	92150-1451	BOLT,LEVER SET	1	1	1	
92150A	92150-1452	BOLT	2	2	2	
92153	92153-0627	BOLT,OIL,L=23	2	2	2	
92153A	92153-0695	BOLT,6X16	2	2	2	
92171	92171-0481	CLAMP,BRAKE HOSE,LH	1	1	1	
92171A	92171-0482	CLAMP,BRAKE HOSE,RH	1	1	1	

This catalog covers:

'08~'10 KLX450 A8F/A9F/AAF Chassis

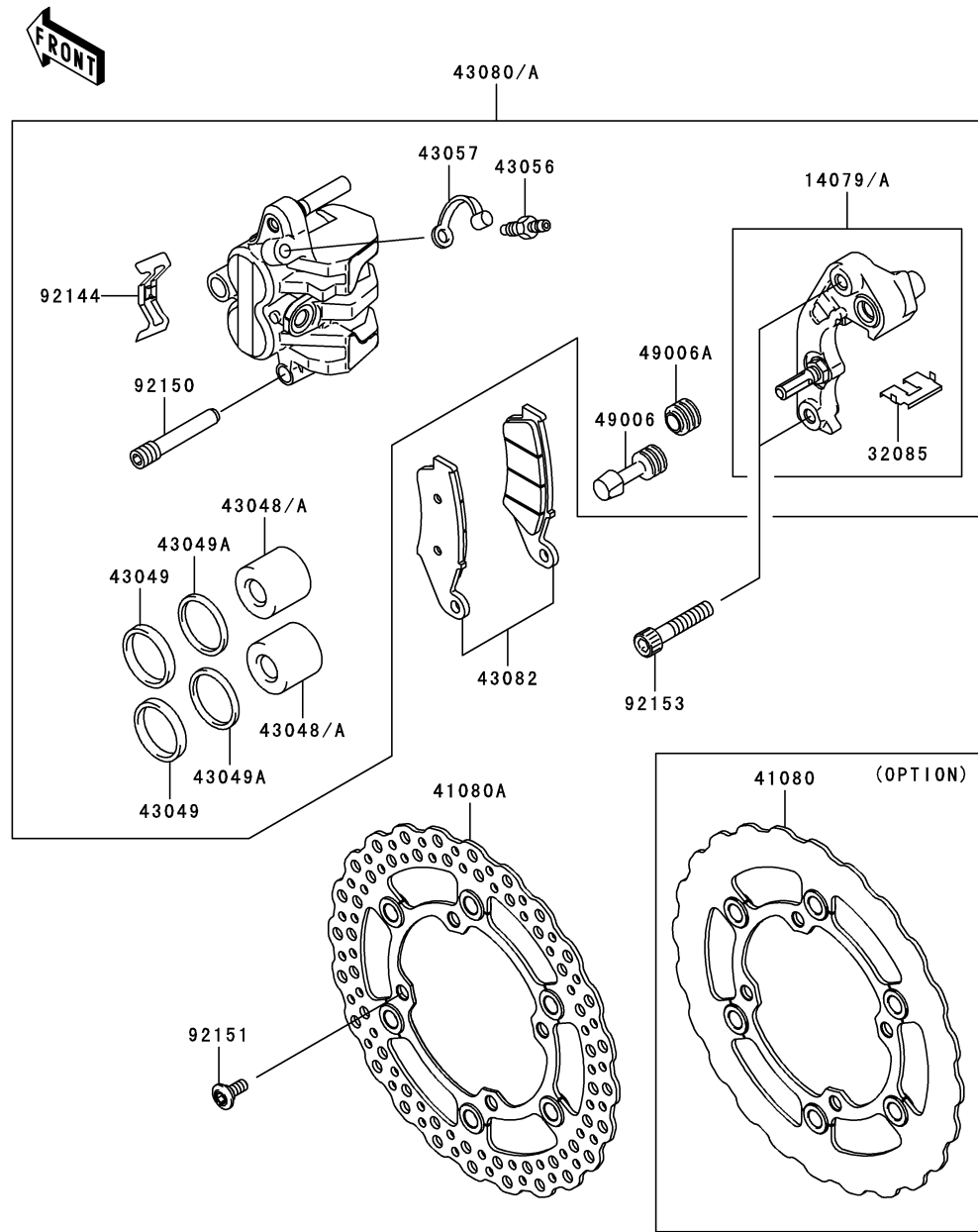
GRID NO.

F-5

This grid covers:

Front Brake

F2292



Ref. No.	Part No.	Description	Spec Code	Quantity-KLX450			
				'08	'09	'10	
				A8F	A9F	AAF	
14079	14079-0043	HOLDER-ASSY,FRONT CALIPER			1		
14079A	14079-1097	HOLDER-ASSY,FRONT CALIPER	1	1			
32085	32085-1361	STOPPER,PAD	1	1	1		
41080	41080-0082	DISC,FR	1	1	1		
	(OPTION)						
41080A	41080-0090	DISC,FR	1	1	1		
43048	43048-1093	PISTON-CALIPER				2	
43048A	43048-1095	PISTON-CALIPER	2	2			
43049	43049-1060	PACKING,PISTON SEAL	2	2	2		
43049A	43049-1061	PACKING,PISTON SEAL	2	2	2		
43056	43056-1055	BREATHER	1	1	1		
43057	43057-1001	CAP-BREATHER	1	1	1		
43080	43080-0081	CALIPER-SUB-ASSY,FR,LH				1	
43080A	43080-5138	CALIPER-SUB-ASSY,FR,LH	1	1			
43082	43082-1266	PAD-ASSY-BRAKE	1	1	1		
49006	49006-1088	BOOT,CALIPER	1	1	1		
49006A	49006-1242	BOOT,CALIPER	1	1	1		
92144	92144-1721	SPRING,PAD	1	1	1		
92150	92150-1691	BOLT,HANGER	1	1	1		
92151	92151-1799	BOLT,DISC PLATE,6MM	4	4	4		
92153	92153-0517	BOLT,SOCKET,8X40	2	2	2		

This catalog covers:

'08~'10 KLX450 A8F/A9F/AAF Chassis

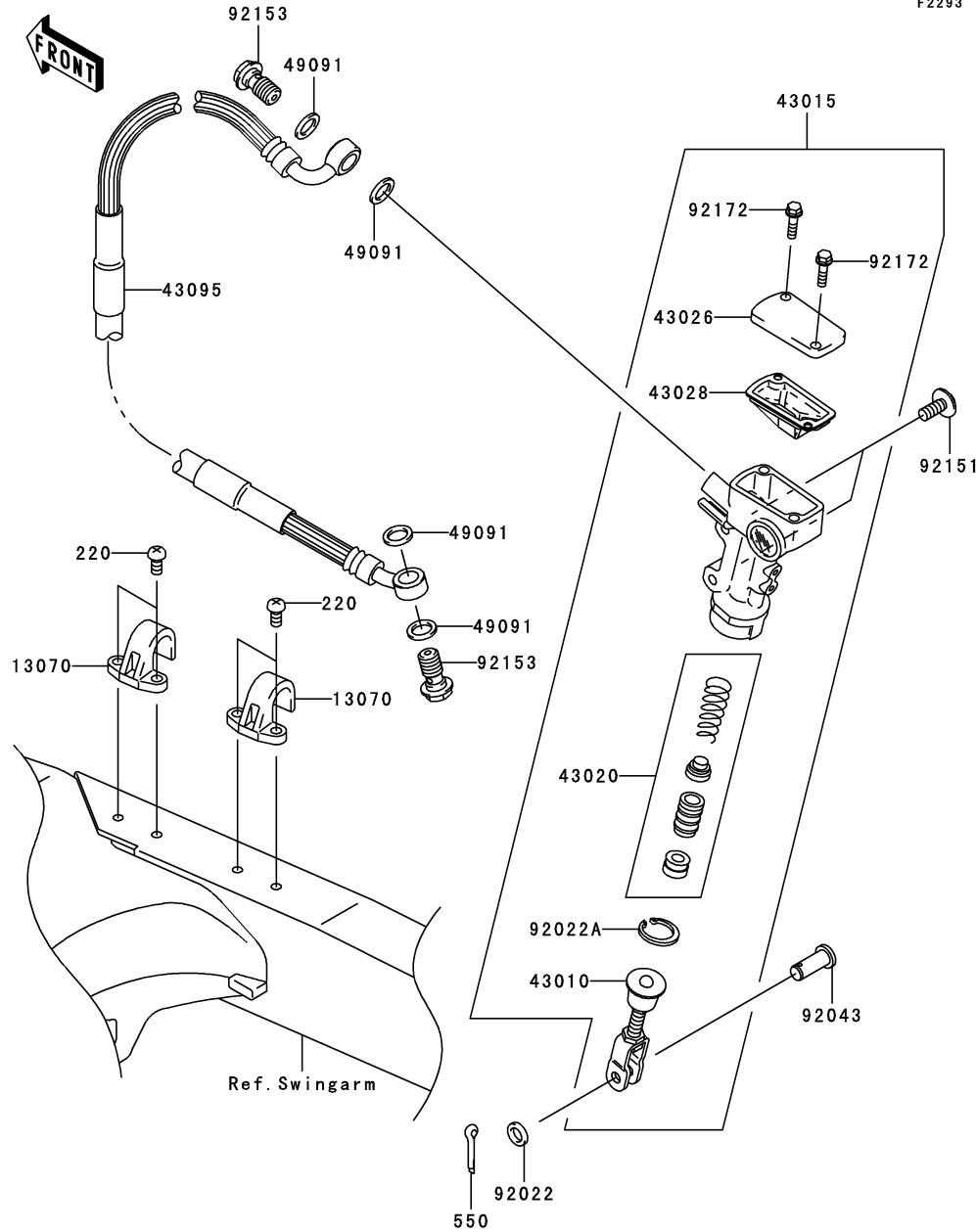
GRID NO.

F-6

This grid covers:

Rear Master Cylinder

F2293



Ref. No.	Part No.	Description	Spec Code	Quantity-KLX450			
				'08	'09	'10	
				A8F	A9F	AAF	
13070	13070-0048	GUIDE,BRAKE HOSE	2	2	2		
43010	43010-1087	ROD-ASSY-BRAKE	1	1	1		
43015	43015-0004	CYLINDER-ASSY-MASTER,RR	1	1	1		
43020	43020-1094	PISTON-COMP-BRAKE	1	1	1		
43026	43026-1086	CAP-BRAKE	1	1	1		
43028	43028-1092	DIAPHRAGM	1	1	1		
43095	43095-0024	HOSE-BRAKE,RR	1	1	1		
49091	49091-0001	WASHER-SEAL,10.1X14.5X1.5	4	4	4		
92022	92022-1028	WASHER,8.5X13X1	1	1	1		
92022A	92022-1601	WASHER,CIRCRIP	1	1	1		
92043	92043-0004	PIN	1	1	1		
92151	92151-1654	BOLT,SOCKET,6X14	2	2	2		
92153	92153-0627	BOLT,OIL,L=23	2	2	2		
92172	92172-1064	SCREW	2	2	2		
220	220AA0510	SCREW-PAN-CROSS,5X10	4	4	4		
550	550AA2015	PIN-COTTER,2.0X15	1	1	1		

This catalog covers:

'08~'10 KLX450 A8F/A9F/AAF Chassis

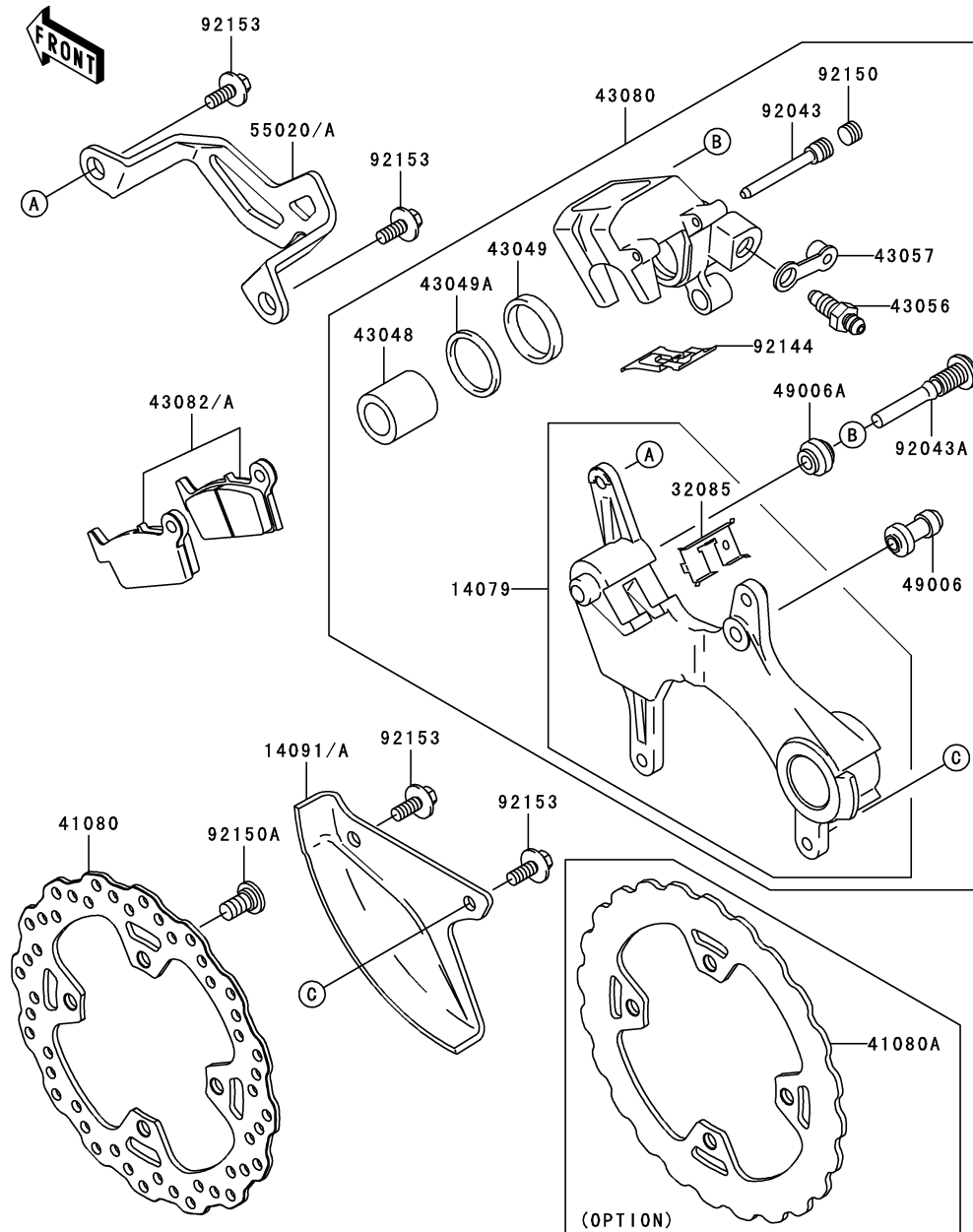
GRID NO.

F-7

This grid covers:

Rear Brake

F2294



Ref. No.	Part No.	Description	Spec Code	Quantity-KLX450			
				'08	'09	'10	
				A8F	A9F	AAF	
14079	14079-0022	HOLDER-ASSY,REAR CALIPER	1	1	1		
14091	14091-1523-RZ	COVER,REAR DISC,WHITE	1	1			
14091A	14091-1523-6C	COVER,REAR DISC,EBONY			1		
32085	32085-1386	STOPPER,PAD	1	1	1		
41080	41080-0076	DISC,RR	1	1	1		
41080A	41080-0094	DISC,RR (OPTION)	1	1	1		
43048	43048-1066	PISTON-CALIPER	1	1	1		
43049	43049-1063	PACKING	1	1	1		
43049A	43049-1064	PACKING	1	1	1		
43056	43056-1055	BREATHER	1	1	1		
43057	43057-1001	CAP-BREATHER	1	1	1		
43080	43080-0037	CALIPER-SUB-ASSY,RR	1	1	1		
43082	43082-0048	PAD-ASSY-BRAKE	1	1			
43082A	43082-0107	PAD-ASSY-BRAKE			1		
49006	49006-1088	BOOT,CALIPER	1	1	1		
49006A	49006-1242	BOOT,CALIPER	1	1	1		
55020	55020-0397	GUARD,RR CALIPER	1	1			
55020A	55020-0458-6C	GUARD,REAR CALIPER,EBONY			1		
92043	92043-1507	PIN,HANGER	1	1	1		
92043A	92043-1508	PIN	1	1	1		
92144	92144-1819	SPRING,PAD	1	1	1		
92150	92150-1692	BOLT,PLUG	1	1	1		
92150A	92150-1811	BOLT,DISC PLATE,8X15	4	4	4		
92153	92153-0936	BOLT,FLANGED,6X14	4	4	4		

This catalog covers:

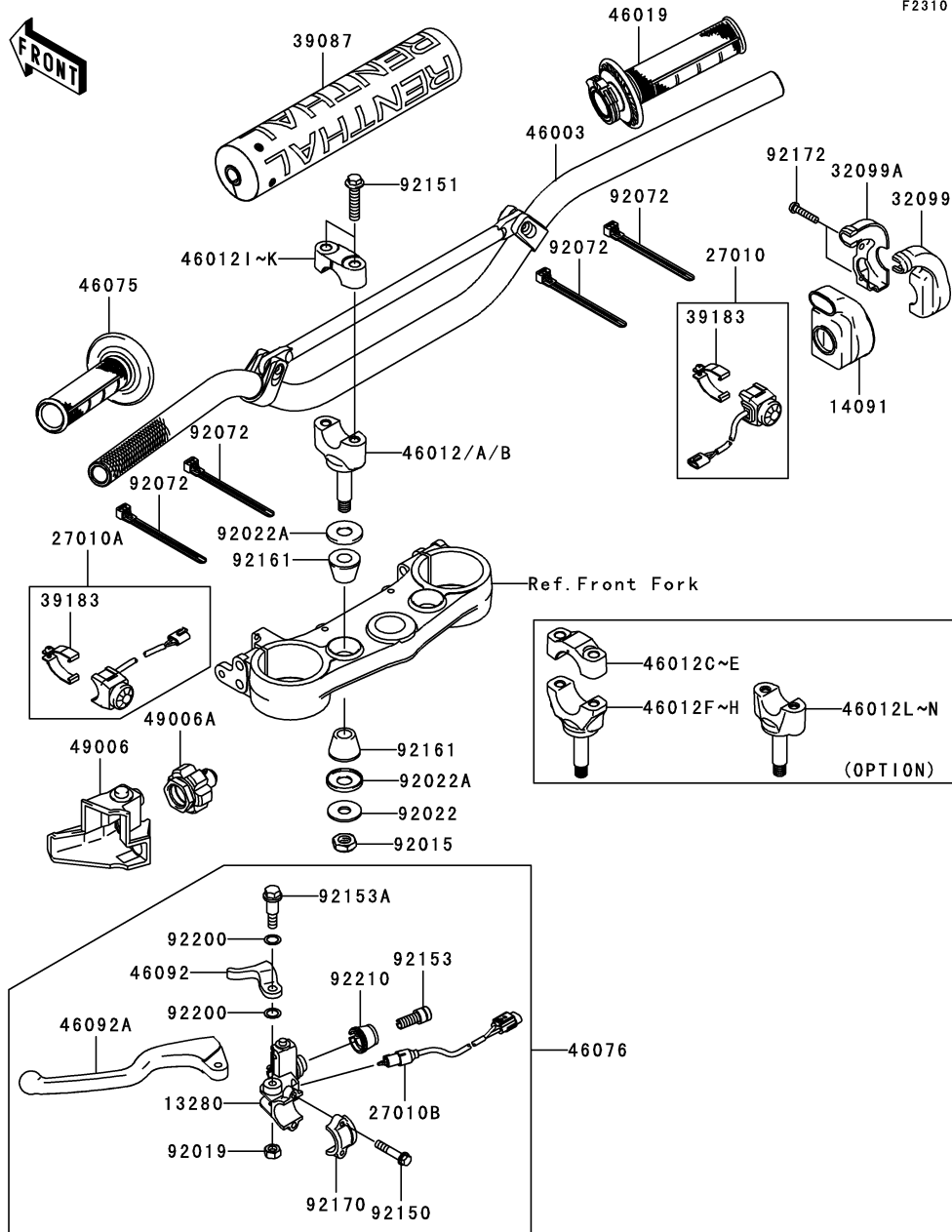
'08~'10 KLX450 A8F/A9F/AAF Chassis

GRID NO.

F-8

This grid covers:

Handlebar(1/2)



F2310

Ref. No.	Part No.	Description	Spec Code	Quantity-KLX450			
				'08	'09	'10	
				A8F	A9F	AAF	
13280	13280-0213	HOLDER,CLUTCH LEVER	1	1	1		
14091	14091-0182	COVER,THROTTLE CASE	1	1	1		
27010	27010-0069	SWITCH,ENGINE START	1	1	1		
27010A	27010-0070	SWITCH,ENGINE STOP	1	1	1		
27010B	27010-0071	SWITCH,CLUTCH	1	1	1		
32099	32099-0002	CASE,THROTTLE,RR	1	1	1		
32099A	32099-0003	CASE,THROTTLE,FR	1	1	1		
39087	39087-0004	PAD-HANDLE	1	1	1		
39183	39183-1059	BAND-ASSY,ENGINE STOP SWITCH	2	2	2		
46003	46003-0077	HANDLE	1	1	1		
46012	46012-0013-10Y	HOLDER-HANDLE,LWR,M.M.GOLD	2				
46012A	46012-0013-21	HOLDER-HANDLE,LWR,F.BLACK			2		
46012B	46012-0013-458	HOLDER-HANDLE,LWR,P.SILVER		2			
46012C	46012-0020-10Y (OPTION)	HOLDER-HANDLE,UPP,FAT BAR,GOLD	2				
46012D	46012-0020-21 (OPTION)	HOLDER-HANDLE,UPP,FAT BAR,BLK			2		
46012E	46012-0020-458 (OPTION)	HOLDER-HANDLE,UPP,FAT BAR,SIL		2			
46012F	46012-0021-10Y (OPTION)	HOLDER-HANDLE,LWR,FAT BAR,GOLD	2				
46012G	46012-0021-21 (OPTION)	HOLDER-HANDLE,LWR,FAT BAR,BLK			2		
46012H	46012-0021-458 (OPTION)	HOLDER-HANDLE,LWR,FAT BAR,SIL		2			
46012I	46012-0023-10Y	HOLDER-HANDLE,UPP,M.M.GOLD	2				
46012J	46012-0023-21	HOLDER-HANDLE,UPP,F.BLACK			2		
46012K	46012-0023-458	HOLDER-HANDLE,UPP,P.SILVER		2			
46012L	46012-0048-10Y (OPTION)	HOLDER-HANDLE,LWR,M.M.GOLD	2				
46012M	46012-0048-21 (OPTION)	HOLDER-HANDLE,LWR,F.BLACK			2		
46012N	46012-0048-458 (OPTION)	HOLDER-HANDLE,LWR,P.SILVER		2			
46019	46019-0018	GRIP-ASSY,THROTTLE	1	1	1		
46075	46075-0044	GRIP,LH	1	1	1		
46076	46076-0041	LEVER-ASSY-GRIP,CLUTCH&STARTER	1	1	1		
46092	46092-0001	LEVER-GRIP,STARTER	1	1	1		
46092A	46092-0025	LEVER-GRIP,CLUTCH	1	1	1		
49006	49006-0051	BOOT,CLUTCH LEVER	1	1	1		
49006A	49006-0060	BOOT,CLUTCH CABLE	1	1	1		

This catalog covers:

'08~'10 KLX450 A8F/A9F/AAF Chassis

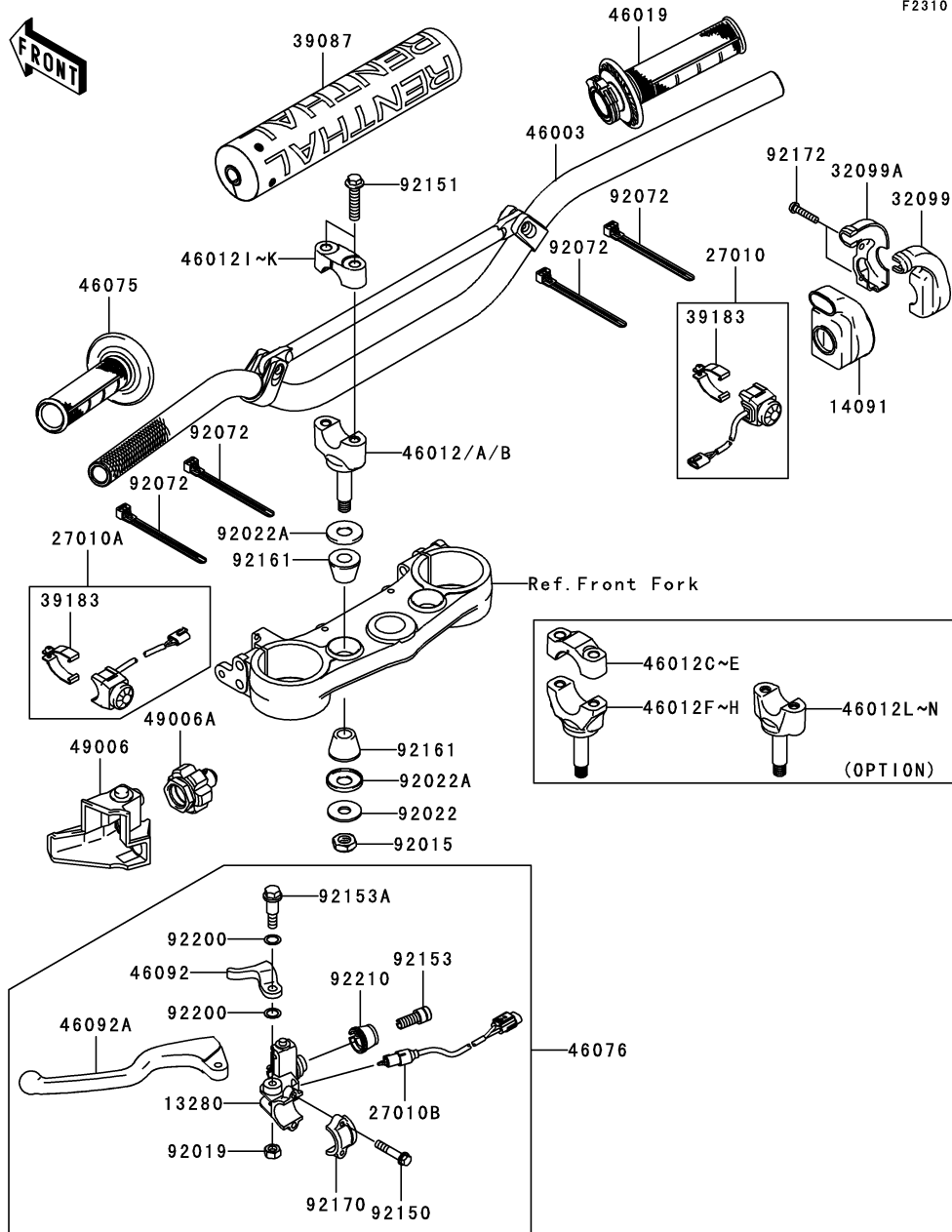
GRID NO.

F-9

This grid covers:

Handlebar(2/2)

F2310



Ref. No.	Part No.	Description	Spec Code	Quantity-KLX450			
				'08	'09	'10	
				A8F	A9F	AAF	
92015	92015-1962	NUT,LOCK,10MM	2	2	2		
92019	92019-008	NUT,LOCK,6MM	1	1	1		
92022	92022-1088	WASHER,10.2X28X2	2	2	2		
92022A	92022-1737	WASHER	4	4	4		
92072	92072-0055	BAND,L=100	4	4	4		
92150	92150-1474	BOLT	2	2	2		
92151	92151-1537	BOLT,FLANGED,8X35	4	4	4		
92153	92153-0773	BOLT,BOLT ADJUSTING	1	1	1		
92153A	92153-1506	BOLT,6MM	1	1	1		
92161	92161-0113	DAMPER,HANDLE HOLDER	4	4	4		
92170	92170-1226	CLAMP,LEVER HOLDER	1	1	1		
92172	92172-0069	SCREW,5X20	2	2	2		
92200	92200-0300	WASHER	2	2	2		
92210	92210-0167	NUT,BOLT WIRE ADJUSTING	1	1	1		

This catalog covers:

'08~'10 KLX450 A8F/A9F/AAF Chassis

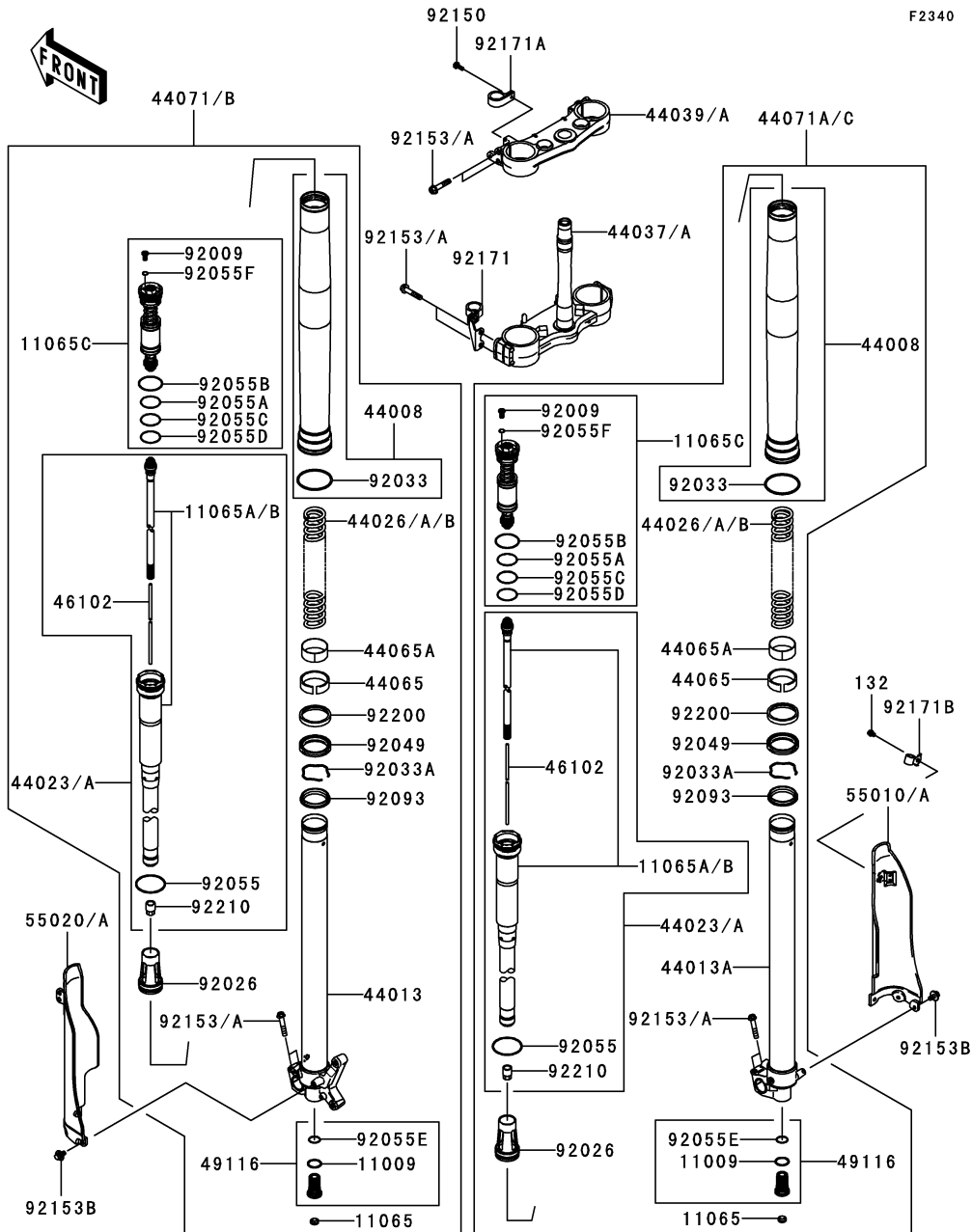
GRID NO.

F-10

This grid covers:

Front Fork(1/2)

F2340



Ref. No.	Part No.	Description	Spec Code	Quantity-KLX450		
				'08	'09	'10
				A8F	A9F	AAF
11009	11009-1592	GASKET,FORK CYLINDER BOLT	2	2	2	
11065	11065-0097	CAP	2	2	2	
11065A	11065-0163-KX	CAP,FORK, TOP,SILVER		2		
11065B	11065-0163-10J	CAP,FORK, TOP,GOLD	2		2	
11065C	11065-0235	CAP,BASE VALVE	2	2	2	
44008	44008-0031-828	PIPE-FORK OUTER,GOLD	2	2	2	
44013	44013-0075	PIPE-FORK INNER,LH	1	1	1	
44013A	44013-0076	PIPE-FORK INNER,RH	1	1	1	
44023	44023-0055-KX	CYLINDER-SET-FORK,SILVER		2	2	
44023A	44023-0055-10J	CYLINDER-SET-FORK,GOLD	2			
44026	44026-0104	SPRING-FRONT FORK,K=4.3N/MM	2	2	2	
44026A	44026-0113	SPRING-FRONT FORK,K=4.4N/MM (OPTION)	2	2	2	
44026B	44026-0114	SPRING-FRONT FORK,K=4.5N/MM (OPTION)	2	2	2	
44037	44037-0080-10Y	HOLDER-FORK UNDER,M.M.GOLD	1			
44037A	44037-0080-458	HOLDER-FORK UNDER,P.SILVER		1	1	
44039	44039-0054-10Y	HOLDER-FORK UPPER,M.M.GOLD	1			
44039A	44039-0054-458	HOLDER-FORK UPPER,P.SILVER		1	1	
44065	44065-0006	BUSHING-FRONT FORK	2	2	2	
44065A	44065-1140	BUSHING-FRONT FORK	2	2	2	
44071	44071-5042	DAMPER-ASSY,FORK,LH	1			
44071A	44071-5043	DAMPER-ASSY,FORK,RH	1			
44071B	44071-5080	DAMPER-ASSY,FORK,LH		1	1	
44071C	44071-5081	DAMPER-ASSY,FORK,RH		1	1	
46102	46102-0096	ROD,PISTON	2	2	2	
49116	49116-0015	VALVE-ASSY	2	2	2	
55010	55010-0001-RZ	GUARD-ASSY,FORK,RH,WHITE	1	1		
55010A	55010-0001-6C	GUARD-ASSY,FORK,RH,EBONY			1	
55020	55020-0172-RZ	GUARD,FORK,LH,WHITE	1	1		
55020A	55020-0172-6C	GUARD,FORK,LH,EBONY			1	
92009	92009-1884	SCREW	2	2	2	
92026	92026-0097	SPACER	2	2	2	
92033	92033-0049	RING-SNAP	2	2	2	
92033A	92033-1329	RING-SNAP	2	2	2	
92049	92049-0056	SEAL-OIL	2	2	2	
92055	92055-0104	RING-O	2	2	2	
92055A	92055-0105	RING-O	2	2	2	
92055B	92055-0106	RING-O	2	2	2	
92055C	92055-0116	RING-O	2	2	2	

This catalog covers:

'08~'10 KLX450 A8F/A9F/AAF Chassis

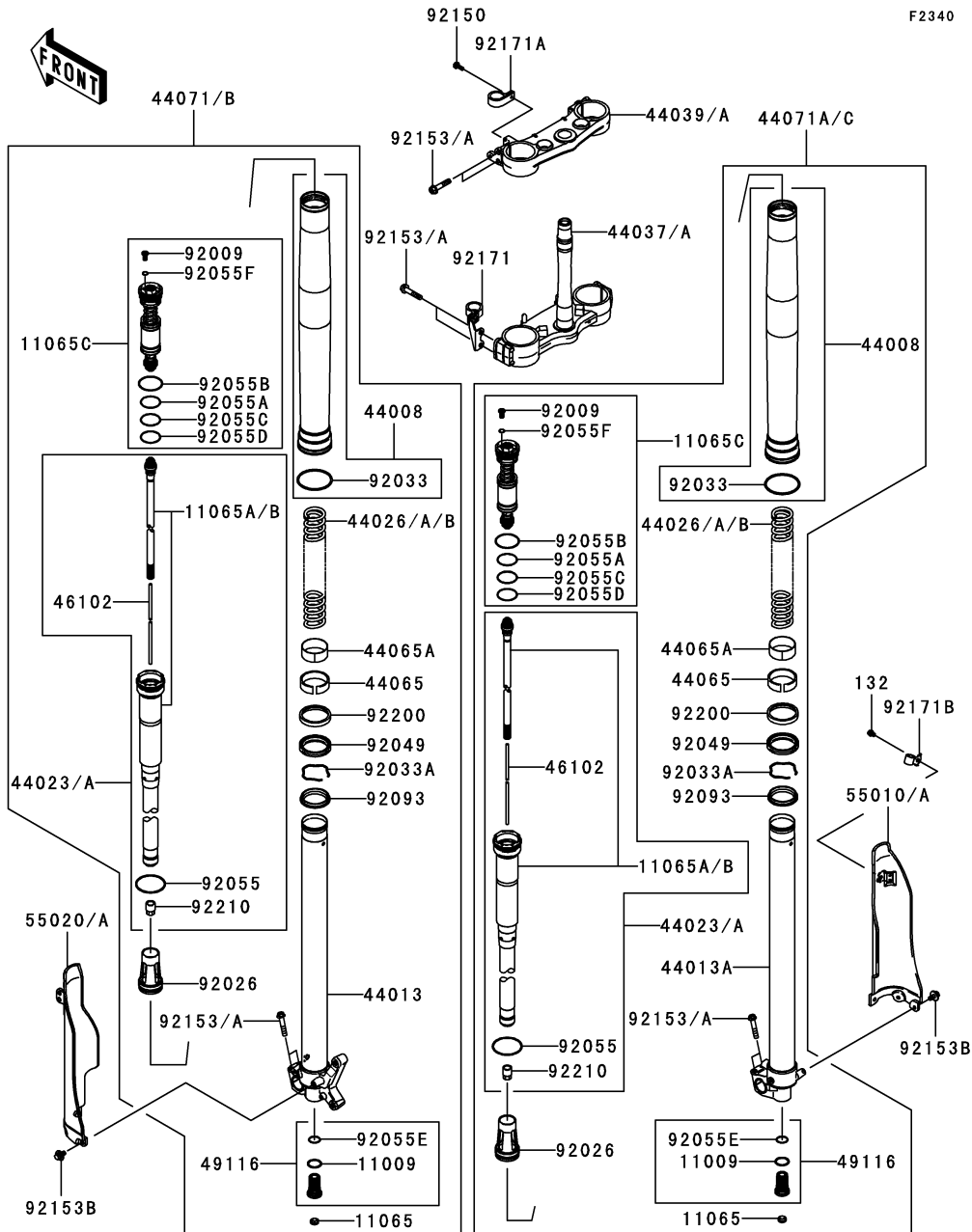
GRID NO.

F-11

This grid covers:

Front Fork(2/2)

F2340



Ref. No.	Part No.	Description	Spec Code	Quantity-KLX450			
				'08	'09	'10	
				A8F	A9F	AAF	
92055D	92055-0117	RING-O	2	2	2		
92055E	92055-1156	RING-O	2	2	2		
92055F	92055-1441	RING-O,2.8X6.6X1.9	2	2	2		
92093	92093-1566	SEAL,FORK OUTER TUBE	2	2	2		
92150	92150-1802	BOLT,5X16	1	1	1		
92153	92153-0020	BOLT,8X40		12	12		
92153A	92153-0484	BOLT,FLANGED,8X40	12				
92153B	92153-0936	BOLT,FLANGED,6X14	6	6	6		
92171	92171-0819	CLAMP	1	1	1		
92171A	92171-0820	CLAMP	1	1	1		
92171B	92171-1615	CLAMP	1	1	1		
92200	92200-0067	WASHER	2	2	2		
92210	92210-0337	NUT	2	2	2		
132	132BB0608	BOLT-FLANGED-SMALL,6X8	1	1	1		

This catalog covers:

'08~'10 KLX450 A8F/A9F/AAF Chassis

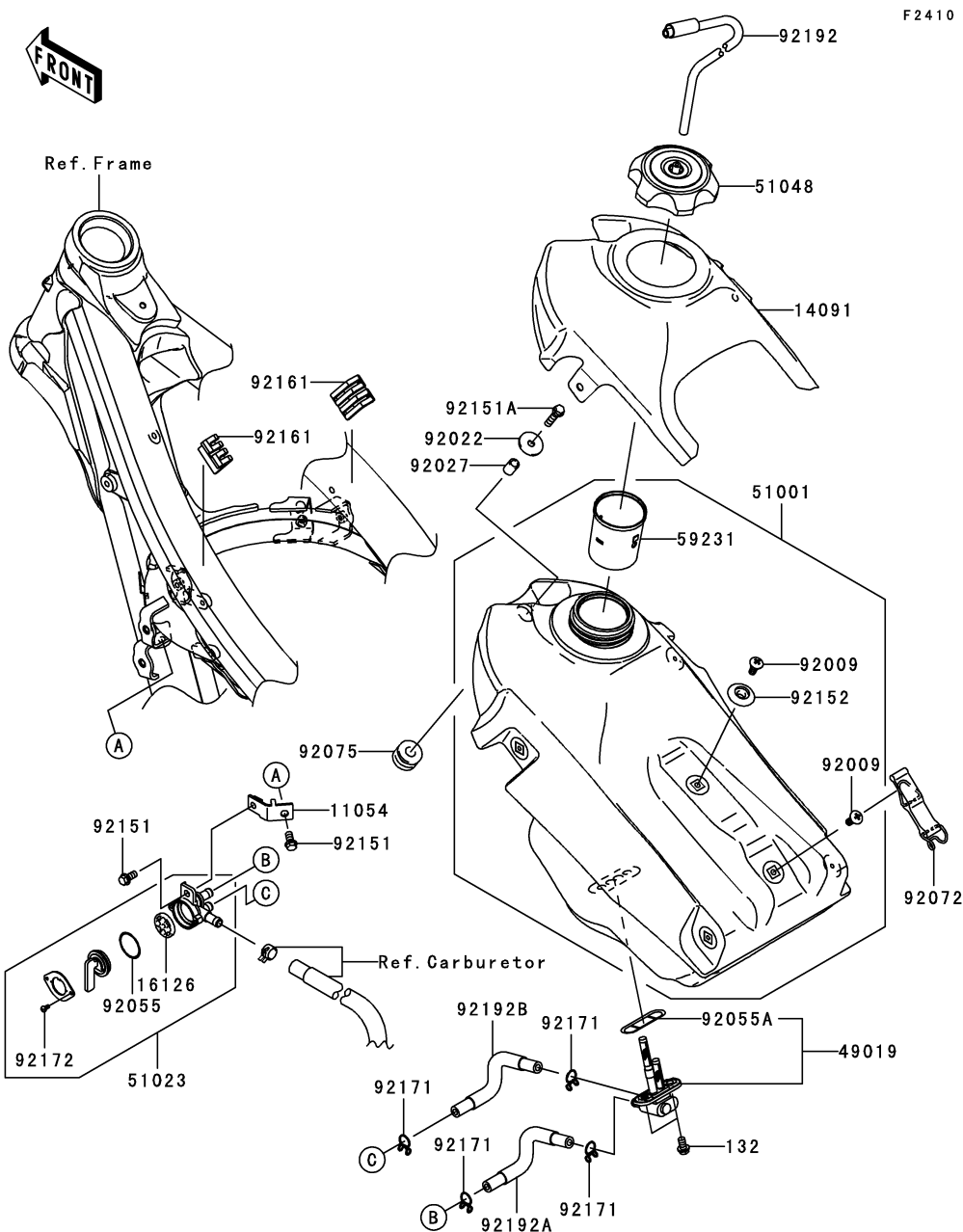
GRID NO.

F-12

This grid covers:

Fuel Tank

F2410



Ref. No.	Part No.	Description	Spec Code	Quantity-KLX450			
				'08	'09	'10	
				A8F	A9F	AAF	
11054	11054-1092	BRACKET,FUEL TAP	1	1	1		
14091	14091-0843-6Z	COVER,FUEL TANK,F.BLACK	1	1	1		
16126	16126-0027	VALVE	1	1	1		
49019	49019-0005	FILTER-FUEL	1	1	1		
51001	51001-0153-6Z	TANK-COMP-FUEL,F.BLACK	1	1	1		
51023	51023-0026	TAP-ASSY,FUEL	1	1	1		
51048	51048-0009	CAP-ASSY-TANK,FUEL	1	1	1		
59231	59231-0019	FILLER	1	1	1		
92009	92009-1971	SCREW,6MM	2	2	2		
92022	92022-1690	WASHER,6.5X24X2	1	1	1		
92027	92027-1966	COLLAR,6.8X10X14	1	1	1		
92055	92055-0111	RING-O	1	1	1		
92055A	92055-1348	RING-O,FUEL TAP PACKING	1	1	1		
92072	92072-0045	BAND,FUEL TANK	1	1	1		
92075	92075-1787	DAMPER	1	1	1		
92151	92151-1133	BOLT,6X12	2	2	2		
92151A	92151-1930	BOLT,FLANGED-SMALL,6X25	1	1	1		
92152	92152-1346	COLLAR	1	1	1		
92161	92161-0254	DAMPER,FUEL TANK,SIDE	2	2	2		
92171	92171-0149	CLAMP	4	4	4		
92172	92172-0259	SCREW,3X6	2	2	2		
92192	92192-0161	TUBE	1	1	1		
92192A	92192-0409	TUBE,ON	1	1	1		
92192B	92192-0503	TUBE,RESERVE	1	1	1		
132	132BB0612	BOLT-FLANGED-SMALL,6X12	2	2	2		

This catalog covers:

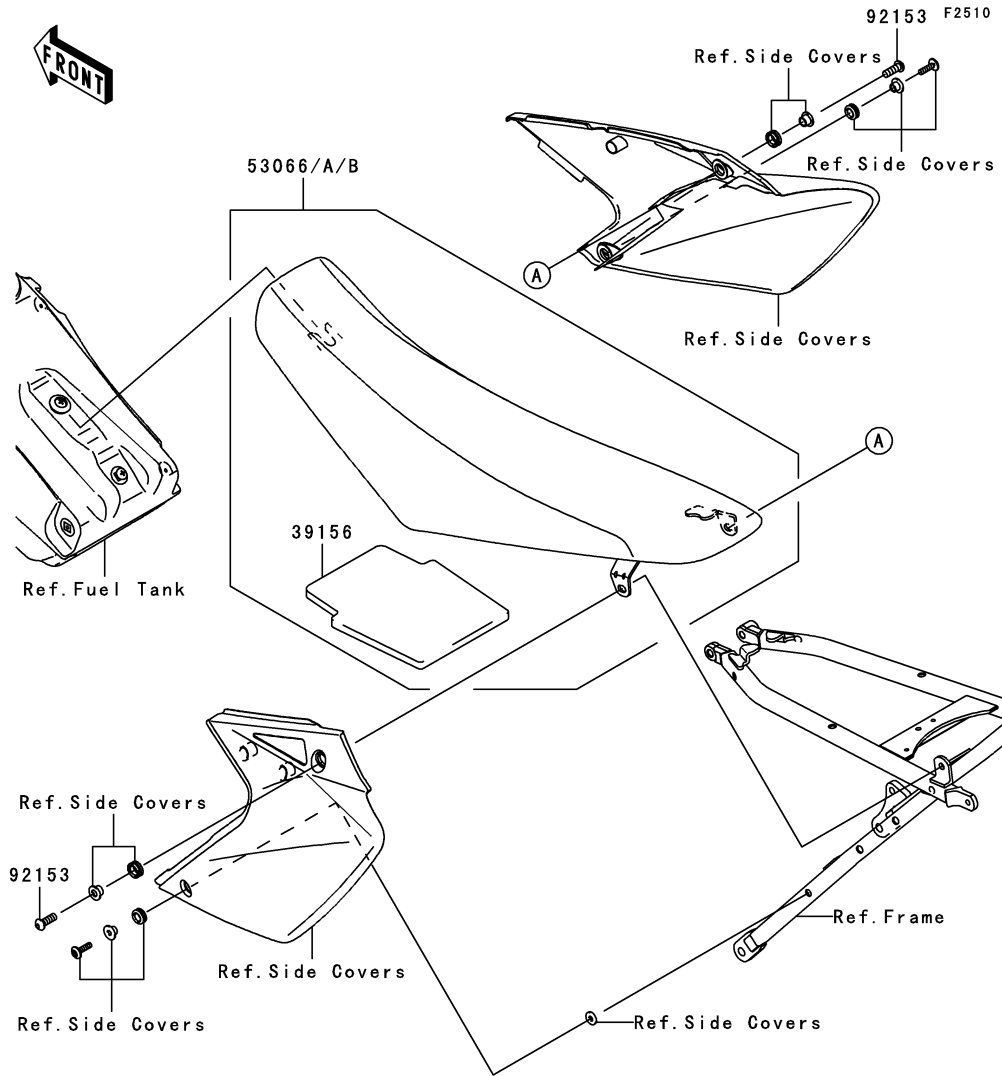
'08~'10 KLX450 A8F/A9F/AAF Chassis

GRID NO.

F-13

This grid covers:

Seat



Ref. No.	Part No.	Description	Spec Code	Quantity-KLX450		
				'08	'09	'10
			A8F	A9F	AAF	
39156	39156-0347	PAD,SEAT		1	1	1
53066	53066-0194-MA	SEAT-ASSY,DUAL,BLACK		1		
53066A	53066-0194-13R	SEAT-ASSY,DUAL,BLACK/GREEN				1
53066B	53066-0194-336	SEAT-ASSY,DUAL,GREEN/BLACK		1		
92153	92153-1918	BOLT,SOCKET,8X23		2	2	2

This catalog covers:

'08~'10 KLX450 A8F/A9F/AAF Chassis

GRID NO.

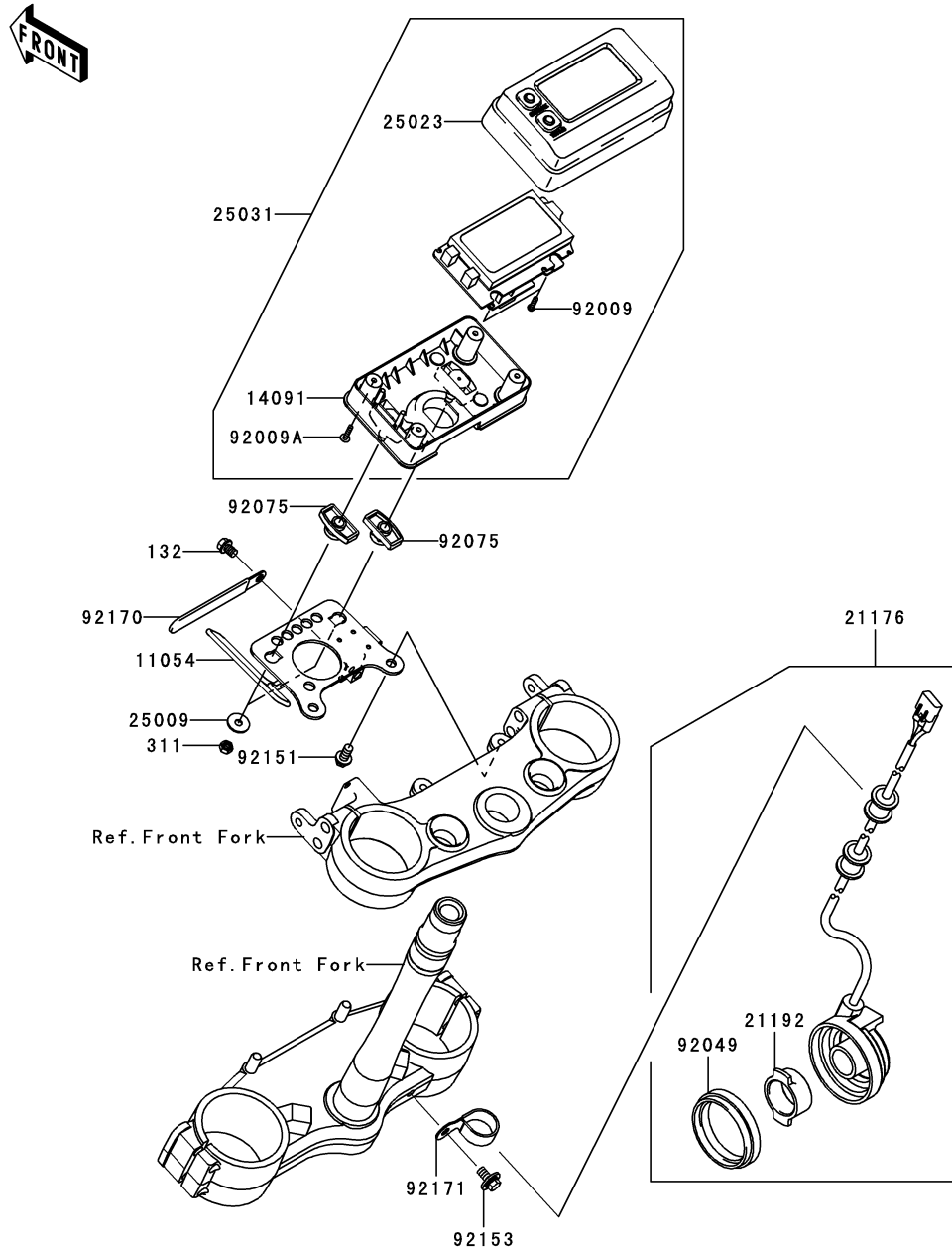
F-14

This grid covers:

Meter(s)

F2530

Ref. No.	Part No.	Description	Spec Code	Quantity-KLX450				
				'08	'09	'10		
				A8F	A9F	AAF		
11054	11054-1090	BRACKET	1	1	1			
14091	14091-0806	COVER,METER,LWR	1	1	1			
21176	21176-0080	SENSOR,SPEED	1	1	1			
21192	21192-0003	MAGNET,SPEED SENSOR	1	1	1			
25009	25009-004	WASHER,5.2X16X1.2	2	2	2			
25023	25023-0033	COVER-METER CASE,UPP	1	1	1			
25031	25031-0180	METER-ASSY,LCD,KPH	1	1	1			
92009	92009-1028	SCREW,TAPPING,3X12	2	2	2			
92009A	92009-1592	SCREW,TAPPING,3X14	4	4	4			
92049	92049-0102	SEAL-OIL	1	1	1			
92075	92075-1581	DAMPER,METER BRACKET	2	2	2			
92151	92151-1133	BOLT,6X12	2	2	2			
92153	92153-0503	BOLT,6X12	1	1	1			
92170	92170-1925	CLAMP	1	1	1			
92171	92171-1279	CLAMP	1	1	1			
132	132BB0608	BOLT-FLANGED-SMALL,6X8	1	1	1			
311	311AB0500	NUT-HEX	2	2	2			



This catalog covers:

'08~'10 KLX450 A8F/A9F/AAF Chassis

GRID NO.

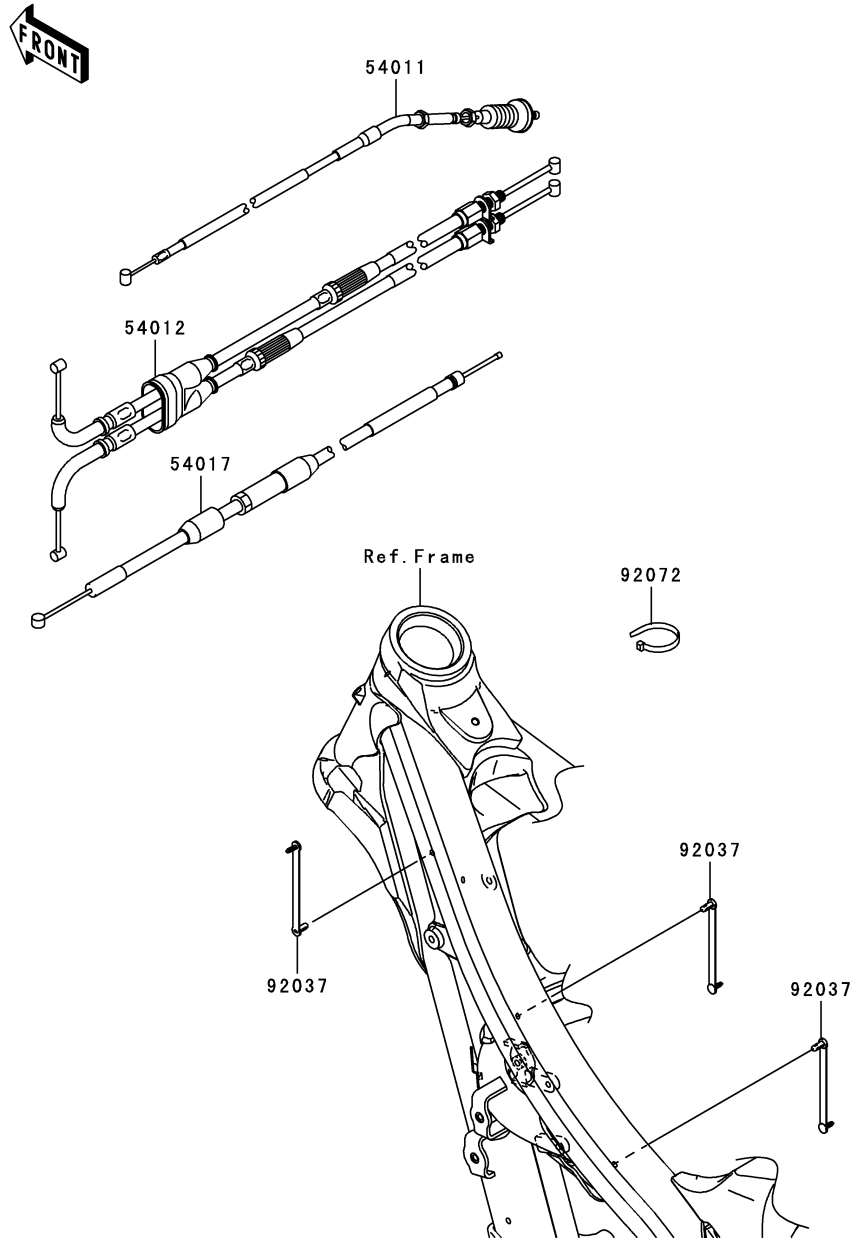
G-3

This grid covers:

Cables

F2540

Ref. No.	Part No.	Description	Quantity-KLX450			
			'08	'09	'10	
			A8F	A9F	AAF	
54011	54011-0065	CABLE-CLUTCH	1	1	1	
54012	54012-0198	CABLE-THROTTLE	1	1	1	
54017	54017-0033	CABLE-STARTER	1	1	1	
92037	92037-1903	CLAMP,SPEED,L=80.5	3	3	3	
92072	92072-1293	BAND,L=140	1	1	1	



This catalog covers:

'08~'10 KLX450 A8F/A9F/AAF Chassis

GRID NO.

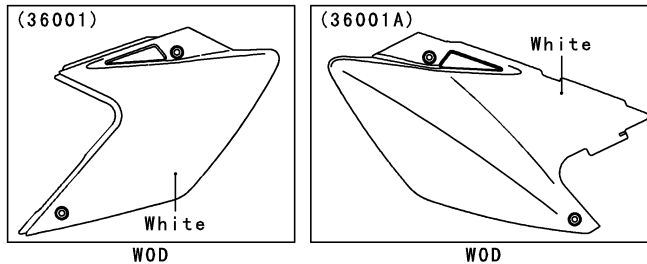
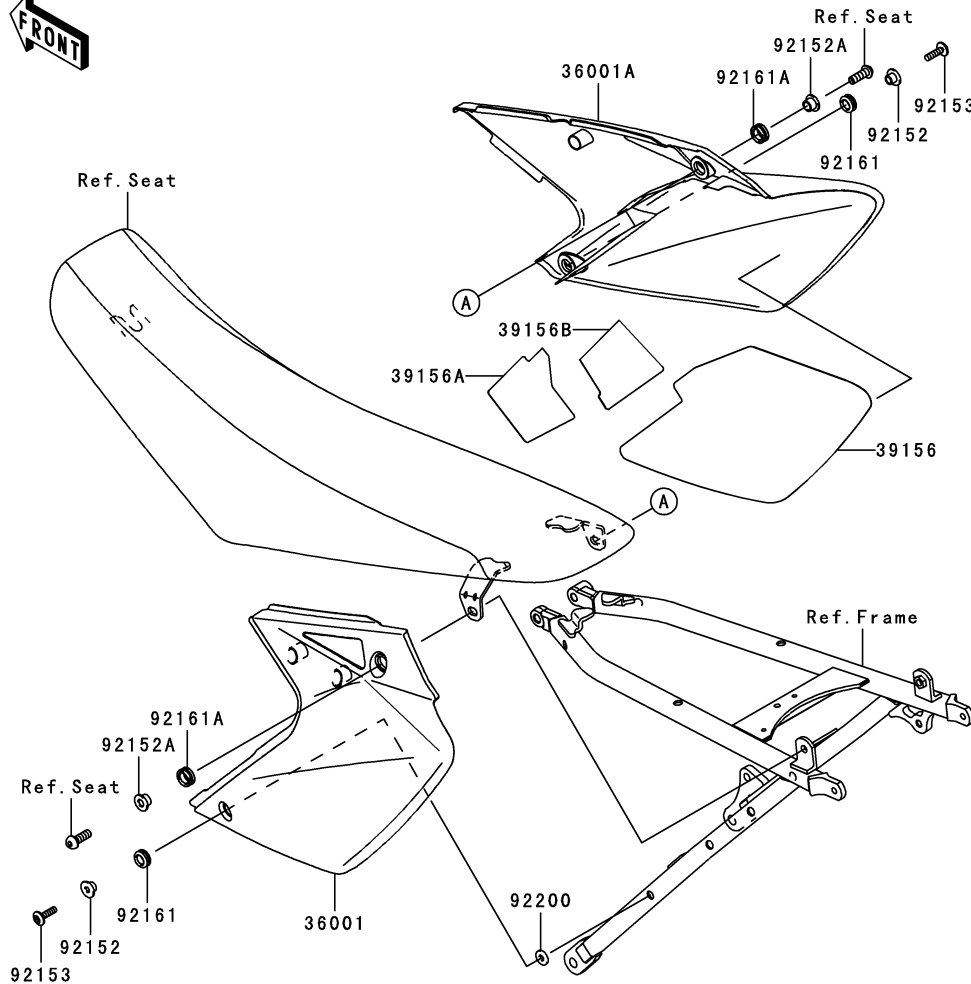
G-4

This grid covers:

Side Covers



F2611



Ref. No.	Part No.	Description	Spec Code	Quantity-KLX450		
				'08	'09	'10
				A8F	A9F	AAF
36001	36001-0132-266	COVER-SIDE,LH,B.WHITE	1	1	1	
36001A	36001-0133-266	COVER-SIDE,RH,B.WHITE	1	1	1	
39156	39156-0270	PAD,SIDE COVER,RH	1	1	1	
39156A	39156-0341	PAD,SIDE COVER,RH,FR,UPP	1	1	1	
39156B	39156-0342	PAD,SIDE COVER,RH,RR,UPP	1	1	1	
92152	92152-0295	COLLAR	2	2	2	
92152A	92152-0613	COLLAR	2	2	2	
92153	92153-1356	BOLT,SOCKET,6X22	2	2	2	
92161	92161-0266	DAMPER	2	2	2	
92161A	92161-0570	DAMPER	2	2	2	
92200	92200-0312	WASHER,6.5X16X2	1	1	1	

This catalog covers:

'08~'10 KLX450 A8F/A9F/AAF Chassis

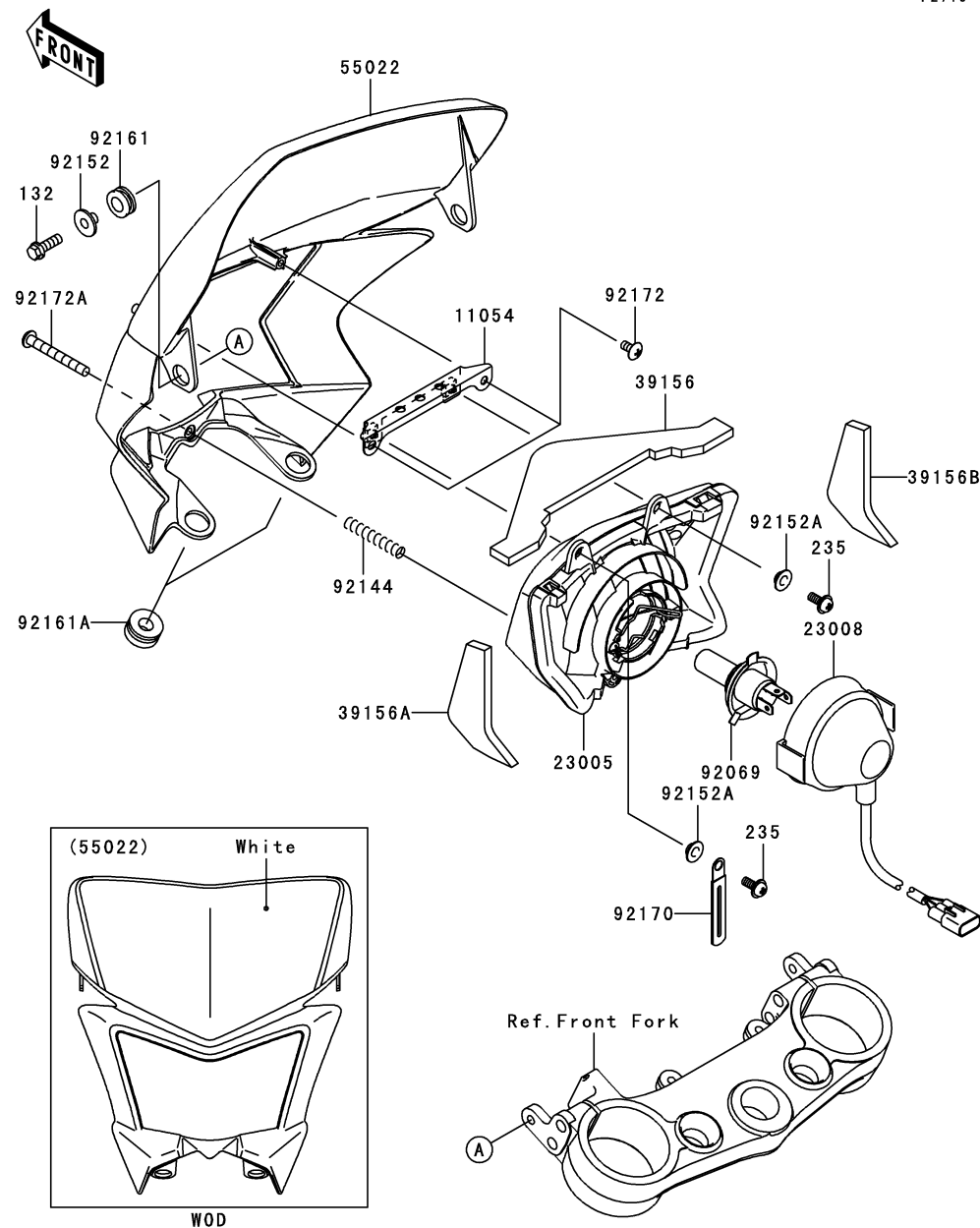
GRID NO.

G-5

This grid covers:

Headlight(s)

F2710



Ref. No.	Part No.	Description	Spec Code	Quantity-KLX450		
				'08	'09	'10
				A8F	A9F	AAF
11054	11054-1069	BRACKET,HEAD LAMP	1	1	1	
23005	23005-0020	BODY-COMP-HEAD LAMP	1	1	1	
23008	23008-0064	SOCKET-ASSY,HEAD LAMP	1	1	1	
39156	39156-0267	PAD,HEAD LAMP,TOP	1	1	1	
39156A	39156-0268	PAD,HEAD LAMP,LH	1	1	1	
39156B	39156-0269	PAD,HEAD LAMP,RH	1	1	1	
55022	55022-0038-266	COVER-HEAD LAMP,B.WHITE	1	1	1	
92069	92069-1120	BULB,12V 35/35W	1	1	1	
92144	92144-2266	SPRING	1	1	1	
92152	92152-0295	COLLAR	2	2	2	
92152A	92152-0573	COLLAR	2	2	2	
92161	92161-0266	DAMPER	2	2	2	
92161A	92161-0537	DAMPER	2	2	2	
92170	92170-1514	CLAMP	1	1	1	
92172	92172-0262	SCREW,TAPPING,5X10	2	2	2	
92172A	92172-0311	SCREW,TAPPING,4X40	1	1	1	
132	132BC0618	BOLT-FLANGED-SMALL,6X18	2	2	2	
235	235AA0512	SCREW-PAN-WP-CROS,5X12	2	2	2	

This catalog covers:

'08~'10 KLX450 A8F/A9F/AAF Chassis

GRID NO.

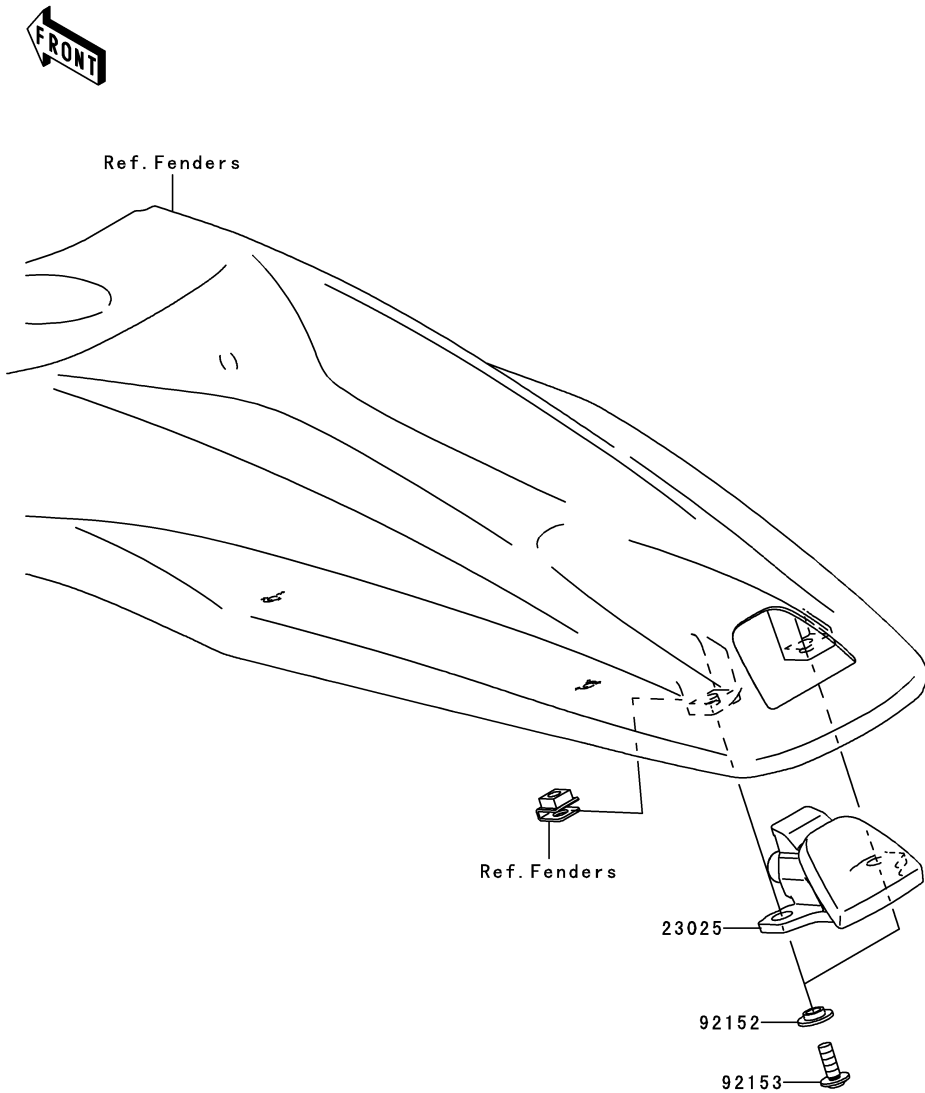
G-6

This grid covers:

Taillight(s)

F2720

Ref. No.	Part No.	Description	Spec Code	Quantity-KLX450			
				'08	'09	'10	
				A8F	A9F	AAF	
23025	23025-0043	LAMP-TAIL	1	1	1		
92152	92152-0573	COLLAR	2	2	2		
92153	92153-1244	BOLT,SOCKET,5X16	2	2	2		



This catalog covers:

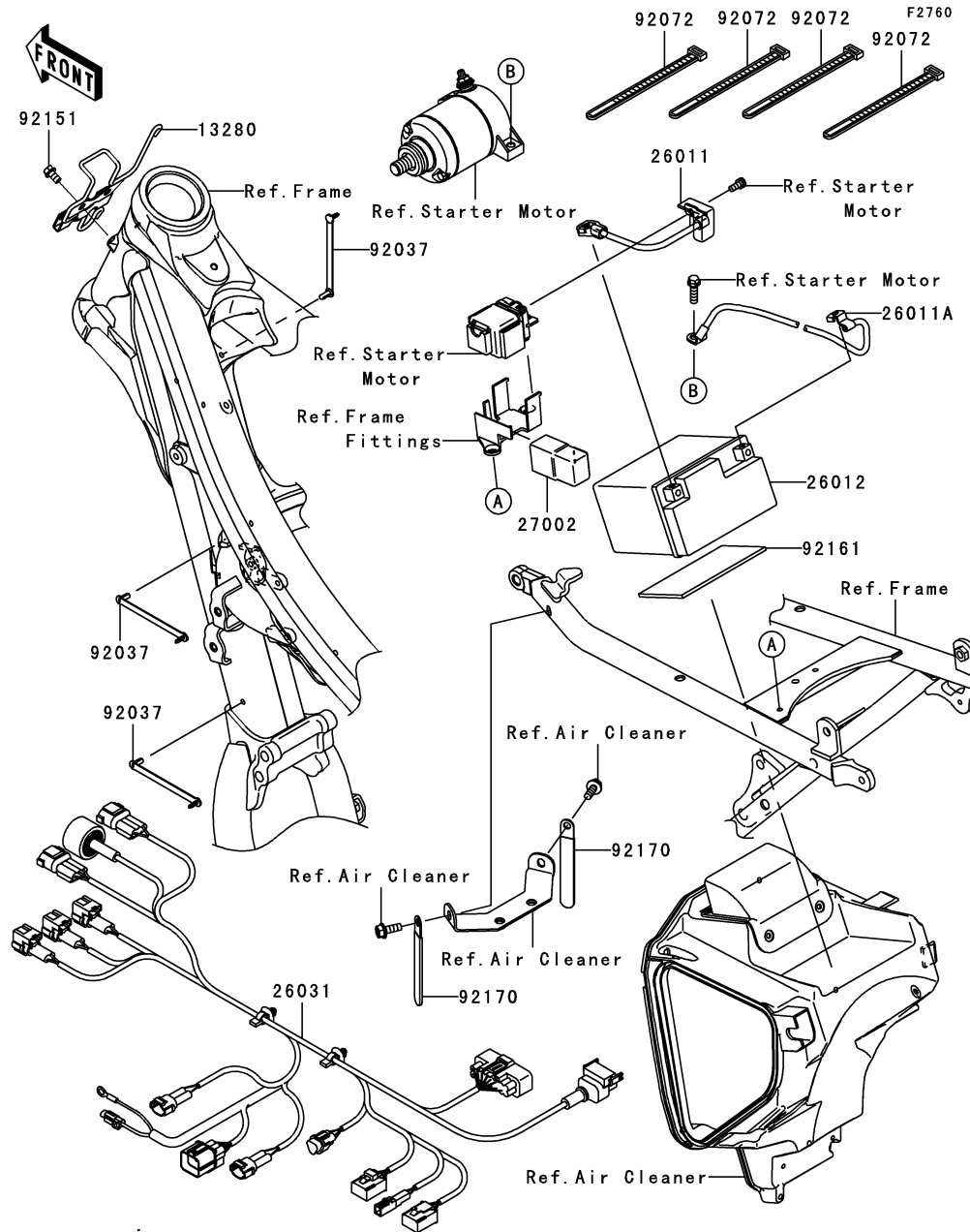
'08~'10 KLX450 A8F/A9F/AAF Chassis

GRID NO.

G-7

This grid covers:

Chassis Electrical Equipment



Ref. No.	Part No.	Description	Spec Code	Quantity-KLX450		
				'08	'09	'10
				A8F	A9F	AAF
13280	13280-0214	HOLDER,CONNECTOR&CABLE	1	1	1	
26011	26011-0131	WIRE-LEAD,BATTERY(+)	1	1	1	
26011A	26011-0132	WIRE-LEAD,BATTERY(-)	1	1	1	
26012	26012-0098	BATTERY,YTZ7S(F),12V 6AH	1	1	1	
26031	26031-0601	HARNES,MAIN	1	1	1	
27002	27002-1086	RELAY-ASSY	1	1	1	
92037	92037-1903	CLAMP,SPEED,L=80.5	3	3	3	
92072	92072-1293	BAND,L=140	4	4	4	
92151	92151-1233	BOLT,FLANGED,6X10	2	2	2	
92161	92161-0456	DAMPER	1	1	1	
92170	92170-1925	CLAMP	2	2	2	

This catalog covers:

'08~'10 KLX450 A8F/A9F/AAF Chassis

GRID NO.

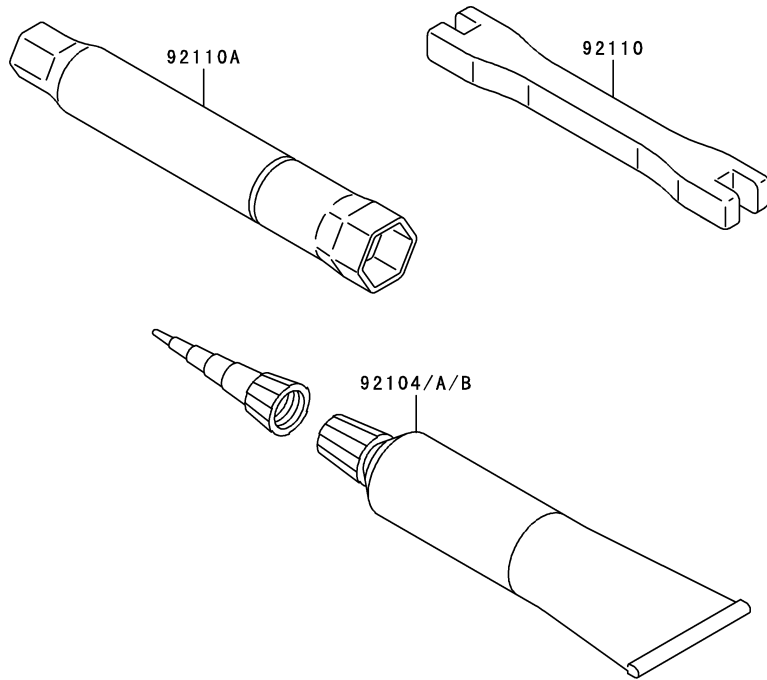
G-8

This grid covers:

Owner's Tools

F2810

Ref. No.	Part No.	Description	Spec Code	Quantity-KLX450		
				'08	'09	'10
				A8F	A9F	AAF
92104	92104-0004	GASKET-LIQUID,TB1211F,CLEAR		1	1	1
92104A	92104-1063	GASKET-LIQUID,TB1216,GRAY		1	1	1
92104B	92104-1064	GASKET-LIQUID,TB1216B,BLACK		1	1	1
92110	92110-0004	TOOL-WRENCH,NIPPLE,6X8		1	1	1
92110A	92110-0005	TOOL-WRENCH,BOX,16MM		1	1	1



This catalog covers:

'08~'10 KLX450 A8F/A9F/AAF Chassis

GRID NO.

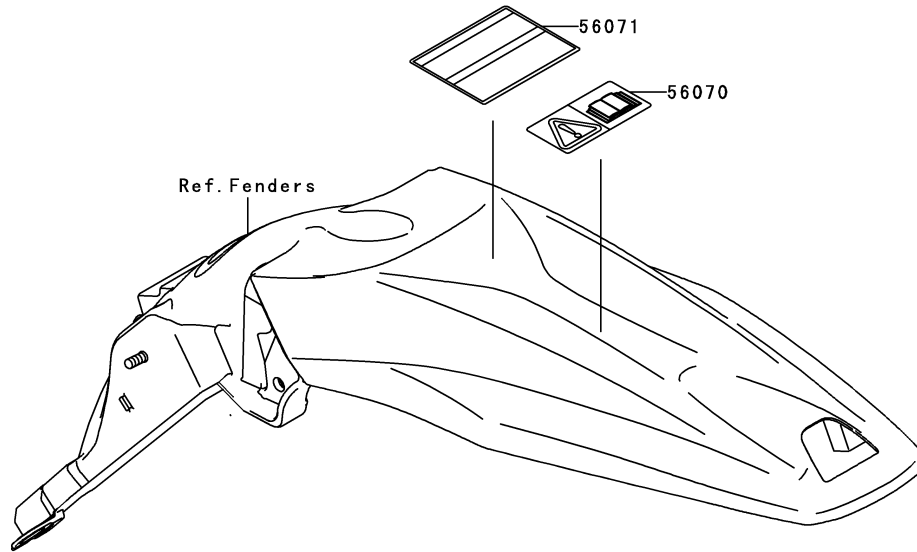
G-9

This grid covers:

Labels

F2860

Ref. No.	Part No.	Description	Spec Code	Quantity-KLX450			
				'08	'09	'10	
56070	56070-3799	LABEL-WARNING,OWNER'S MANUAL		1	1	1	
56071	56071-0020	LABEL-WARNING,OFF LOAD ONLY		1	1	1	



This catalog covers:

'08~'10 KLX450 A8F/A9F/AAF Chassis

GRID NO.

G-10

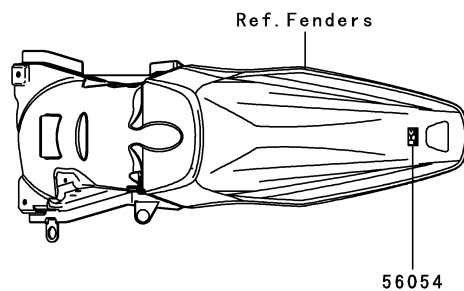
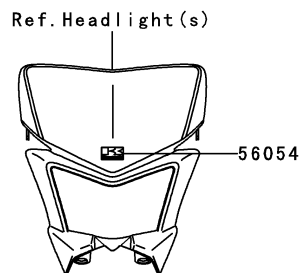
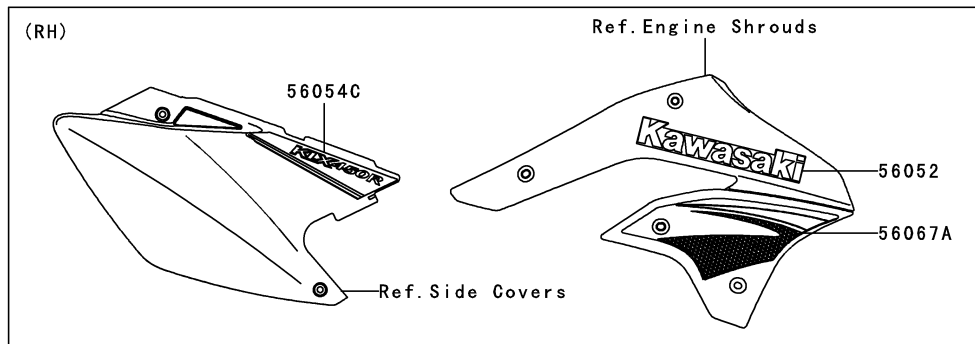
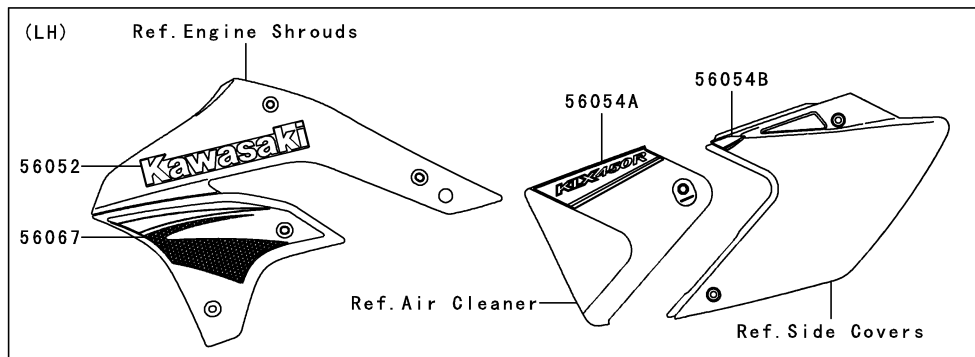
This grid covers:

Decals(A8F)

F2861

Ref. No.	Part No.	Description	Spec Code	Quantity-KLX450			
				'08	'09	'10	
				A8F	A9F	AAF	

56052	56052-0886	MARK,SHROUD,KAWASAKI					2
56054	56054-0036	MARK,K.KAWASAKI					2
56054A	56054-0037	MARK,AIR CLEANER COVER,KLX450R					1
56054B	56054-0038	MARK,SIDE COVER,LH					1
56054C	56054-0039	MARK,SIDE COVER,RH,KLX450R					1
56067	56067-0971	PATTERN,SHROUD,LH					1
56067A	56067-0972	PATTERN,SHROUD,RH					1



This catalog covers:

'08~'10 KLX450 A8F/A9F/AAF Chassis

GRID NO.

G-11

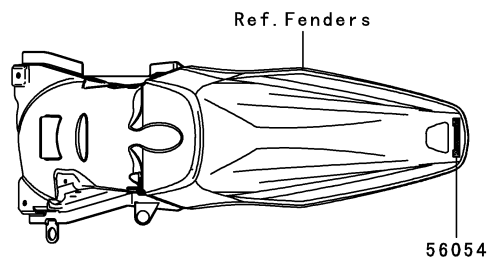
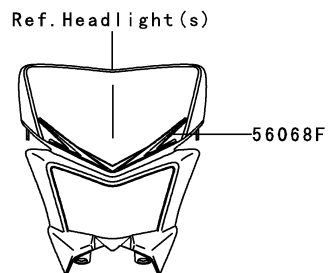
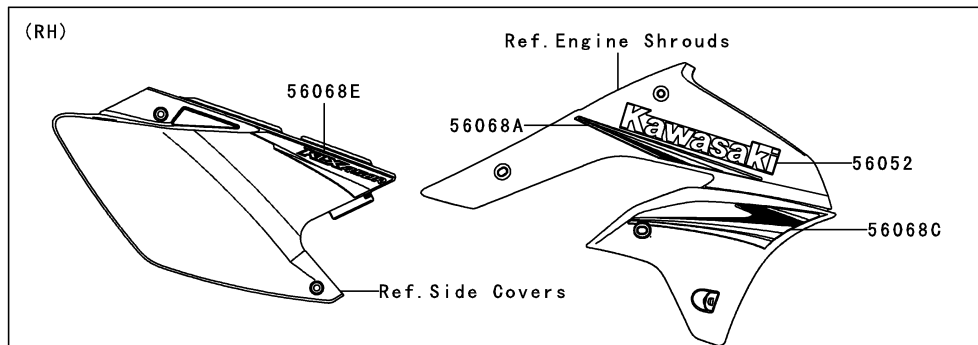
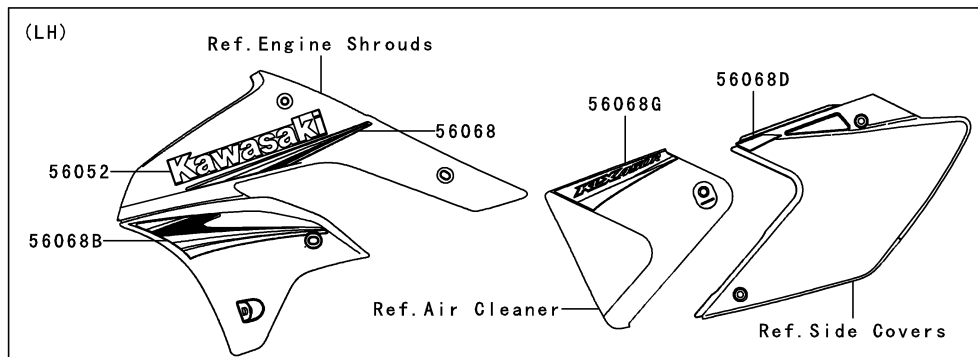
This grid covers:

Decals(A9F)

F2861A

Ref. No.	Part No.	Description	Spec Code	Quantity-KLX450			
				'08	'09	'10	
				A8F	A9F	AAF	

56052	56052-0886	MARK,SHROUD,KAWASAKI					2
56054	56054-0243	MARK,RR FENDER,KAWASAKI					1
56068	56068-1247	PATTERN,SHROUD,UPP,LH					1
56068A	56068-1248	PATTERN,SHROUD,UPP,RH					1
56068B	56068-1249	PATTERN,SHROUD,LWR,LH					1
56068C	56068-1250	PATTERN,SHROUD,LWR,RH					1
56068D	56068-1251	PATTERN,SIDE COVER,LH					1
56068E	56068-1252	PATTERN,SIDE COVER,RH					1
56068F	56068-1253	PATTERN,HEAD LAMP COVER					1
56068G	56068-1384	PATTERN,AIR CLEANER COVER					1



This catalog covers:

'08~'10 KLX450 A8F/A9F/AAF Chassis

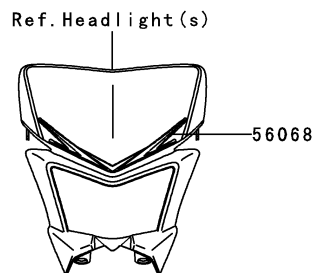
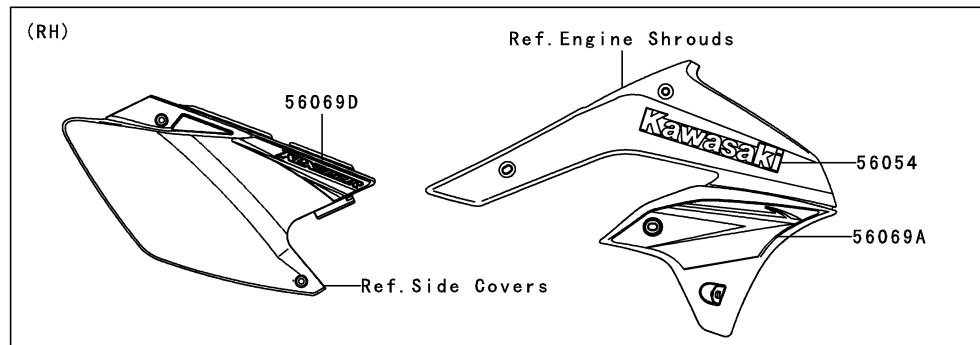
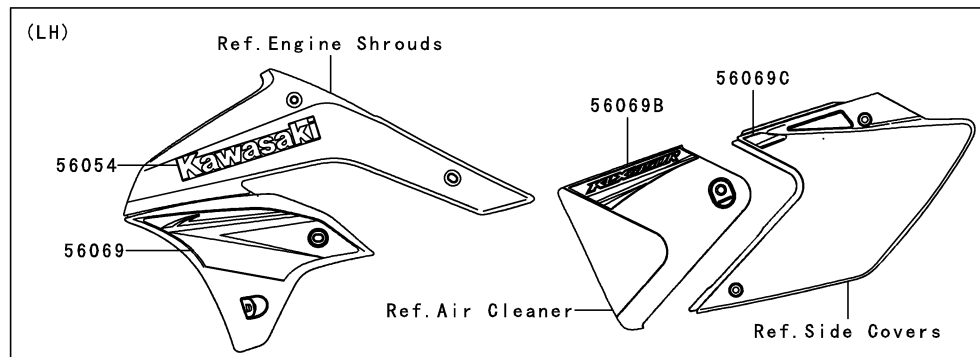
GRID NO.

G-12

This grid covers:

Decals(AAF)

F2861B



Ref. No.	Part No.	Description	Spec Code	Quantity-KLX450			
				'08	'09	'10	
				A8F	A9F	AAF	
56054	56054-0466	MARK,SHROUD,KAWASAKI					2
56068	56068-1253	PATTERN,HEAD LAMP COVER					1
56069	56069-0023	PATTERN,SHROUD,LH					1
56069A	56069-0024	PATTERN,SHROUD,RH					1
56069B	56069-0025	PATTERN,AIR CLEANER COVER					1
56069C	56069-0026	PATTERN,SIDE COVER,LH					1
56069D	56069-0027	PATTERN,SIDE COVER,RH					1

This catalog covers:

'08~'10 KLX450 A8F/A9F/AAF Chassis

GRID NO.

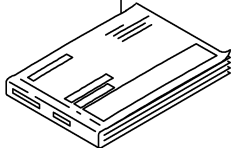
G-13

This grid covers:

Manual

F2920

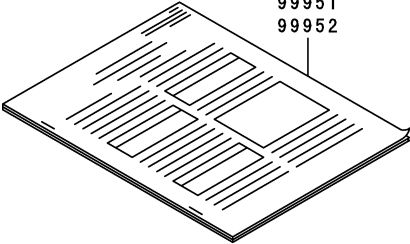
Owner's Manual
(Local Procurement)



99976/A~E

Ref. No.	Language
(99976/B/D)	English
	French
	German
(99976A/C/E)	Italian
	Spanish
	Dutch

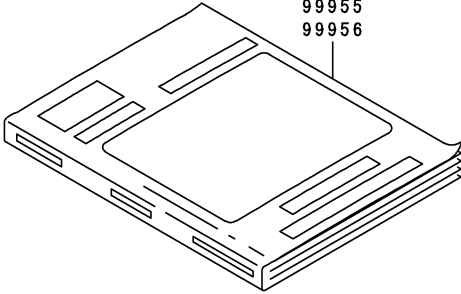
A&P Manual



99939
99946
99950
99951
99952

Ref. No.	Language
(99939)	English
(99946)	German
(99950)	French
(99951)	Italian
(99952)	Spanish

Service Manual



99924
99953
99954
99955
99956

Ref. No.	Language
(99924)	English
(99953)	German
(99954)	French
(99955)	Italian
(99956)	Spanish

Ref. No.	Part No.	Description	Spec Code	Quantity-KLX450				
				'08	'09	'10		
				A8F	A9F	AAF		
99924	99924-1385-01	SERVICE MANUAL,ENGLISH		1	1	1		
99939	99939-1325-02	A&P MANUAL,ENGLISH		1	1	1		
99946	99946-1043-01	A&P MANUAL,GERMAN		1	1	1		
99950	99950-1050-01	A&P MANUAL,FRENCH		1	1	1		
99951	99951-1034-01	A&P MANUAL,ITALIAN		1	1	1		
99952	99952-1018-01	A&P MANUAL,SPANISH		1	1	1		
99953	99953-1040-01	SERVICE MANUAL,GERMAN		1	1	1		
99954	99954-1051-01	SERVICE MANUAL,FRENCH		1	1	1		
99955	99955-1032-01	SERVICE MANUAL,ITALIAN		1	1	1		
99956	99956-1016-01	SERVICE MANUAL,SPANISH		1	1	1		
99976	99976-1338	OWNER'S MANUAL,EN/FR/DE		1				
99976A	99976-1369	OWNER'S MANUAL,IT/ES/NL		1				
99976B	99976-1462	OWNER'S MANUAL,EN/FR/DE				1		
99976C	99976-1463	OWNER'S MANUAL,IT/ES/NL				1		
99976D	99976-1523	OWNER'S MANUAL,EN/FR/DE					1	
99976E	99976-1524	OWNER'S MANUAL,IT/ES/NL						1

This catalog covers:

'08~'10 KLX450 A8F/A9F/AAF

GRID NO.

This grid covers:

L-13

Numerical Parts Index

Part No.	Grid No.	Part No.	Grid No.	Part No.	Grid No.	Part No.	Grid No.	Part No.	Grid No.	Part No.	Grid No.
11004-0088	B-3	12053-0061	E-6	13128-0036	C-3	132BA0616	C-12	16007-0022	B-10	23008-0064	G-5
11005-0088	B-5	12053-0064	B-11	13140-0043	C-4	132BA0616	C-8	16012-0002	C-9	23025-0043	G-6
11008-0140	B-3	12053-0065	B-11	13140-0047	C-4	132BA0620	C-12	16014-0004	C-9	235AA0512	G-5
11009-1592	F-10	12053-0098	C-7	13141-0028	C-4	132BA0640	C-13	16016-0009	C-9	25009-004	F-14
11011-0106-6Z	B-6	120CA0610	B-8	13144-0041	C-3	132BB0608	F-11	16016-0017	C-9	25023-0033	F-14
11012-1552	F-3	120CA0610	B-9	13145-0031	C-4	132BB0608	F-14	16017-0011	C-9	25031-0180	F-14
11012-1581	E-12	120CA0612	B-3	13151-0037	C-4	132BB0612	F-12	16021-0013	C-9	26006-1051	D-4
11012-1854	D-7	120CB0510	D-4	13156-0067	C-5	132BB0625	D-6	16025-0009	C-9	26011-0131	G-7
11013-0019	B-6	13001-0073	B-5	13161-0045	C-5	132BB0818	B-9	16025-0013	C-9	26011-0132	G-7
11054-1069	G-5	13002-0016	B-5	13165-0017	C-5	132BB0825	B-8	16030-1057	C-9	26011-0133	D-4
11054-1090	F-14	13008-0018	B-5	13165-0018	C-5	132BB0825	B-9	16031-1100	C-9	26012-0098	G-7
11054-1092	F-12	13031-0086	B-12	13168-0051	C-9	132BC0618	G-5	16039-0230	C-9	26031-0601	G-7
11054-1100	B-6	13032-0060	B-12	13187-0007	B-14	132BC0620	D-4	16041-0004	C-9	27002-1086	G-7
11060-1300	B-3	13034-0006	B-12	13194-0008	D-4	14001-0093	C-6	16044-007	C-9	27010-0004	D-4
11061-0043	D-7	13035-0013	B-12	13206-0005	B-13	14013-0001	B-11	16049-1051	C-9	27010-0069	F-8
11061-0077	C-9	13037-0110	B-12	13216-0034	D-4	14024-1971	C-9	16065-0050	B-3	27010-0070	F-8
11061-0079	B-4	13037-0111	B-12	13234-0009	B-3	14026-0045	C-7	16126-0027	F-12	27010-0071	F-8
11061-0082	B-8	13041-0023	B-12	13234-0036	C-12	14031-0087	C-7	16130-1058	C-12	27017-0007	B-6
11061-0082	B-9	13041-0024	B-12	13236-0086	E-14	14031-0106	C-7	16142-0029	D-5	290CA0808	B-13
11061-0100	B-8	13042-0005	B-11	13236-0129	C-5	14031-0123	C-7	16142-0042	C-12	311AB0500	F-14
11061-0100	B-9	13061-0146	B-13	13236-1346	F-4	14032-0062	C-7	16142-0049	C-12	311BA0600	C-5
11061-0160	B-5	13064-0044	B-13	13256-0002	F-3	14032-0101	C-7	16154-0069	C-12	32054-0021	E-8
11061-0185	B-4	13066-0008	B-13	13262-0438	C-3	14032-0103	C-7	16157-1061	C-9	32054-0031	E-8
11061-0224	C-7	13070-0029	F-3	13262-0440	C-3	14032-0131	C-7	16159-1053	C-9	32085-1361	F-5
11061-0225	D-5	13070-0048	F-6	13262-0442	C-3	14037-0036-RZ	D-6	16170-0003	C-9	32085-1386	F-7
11061-0259	C-7	13070-1362	F-3	13262-0443	C-3	14037-0037-RZ	D-6	172BA0612	C-5	32099-0002	F-8
11061-0260	B-11	13070-1378	B-13	13262-0444	C-3	14037-0092-6C	D-6	18077-0015	B-8	32099-0003	F-8
11061-0271	C-7	13078-0008	B-13	13262-0445	C-3	14037-0092-RZ	D-6	18077-0015	B-9	32099-0028-6Z	B-6
11061-0285	B-8	13078-0012	C-5	13262-0567	C-3	14037-0093-6C	D-6	18088-0371	B-8	32160-0213	E-3
11061-0285	B-9	13087-0015	B-14	13262-0569	C-3	14037-0093-RZ	D-6	18088-0371	B-9	32160-0288	E-3
11065-0097	F-10	13088-0010	B-14	13262-0570	C-3	14044-0026	B-14	18100-0070	B-8	32160-0333	E-3
11065-0107	C-13	13088-0035	B-14	13271-0241	C-9	14073-0176	B-6	18100-0072	B-9	32190-0330	E-4
11065-0163-10J	F-10	13089-1005	B-14	13271-0334	C-6	14079-0022	F-7	21003-0090	C-14	32190-0331	E-4
11065-0163-KX	F-10	13089-1010	B-14	13271-0345	C-6	14079-0026	E-4	21007-0097	C-14	32190-0346	E-4
11065-0169	C-7	13089-1095	B-14	13271-0593	E-6	14079-0043	F-5	21025-011	D-4	32190-0347	E-4
11065-0219	E-11	13091-1992	D-4	13271-0675	B-3	14079-1097	F-5	21039-0006	D-4	32190-0351	E-4
11065-0235	F-10	13095-0052	B-14	13271-0730	B-6	14091-0182	F-8	21040-1057	D-4	32190-0352	E-4
11065-0283	C-7	13097-0013	B-12	13271-0893	C-5	14091-0209	C-9	21066-0015	C-14	33001-0108	E-6
11065-0336	C-7	130BA0510	E-4	13271-1833	E-6	14091-0587	C-9	21083-0035	C-9	33032-0012	E-6
11065-1253	E-13	130BA0512	B-7	13280-0038	B-3	14091-0588	C-9	21119-0074	D-3	33040-0020	E-6
12004-0029	B-10	130BA0514	C-14	13280-0067	B-14	14091-0710-6Z	B-6	21121-0016	D-3	33040-1189	E-6
12005-0044	B-10	130BB0520	D-3	13280-0213	F-8	14091-0796	B-4	21160-0011	D-3	34024-0036-458	E-10
12009-0008	B-10	130CA0818	E-5	13280-0214	G-7	13280-0806	F-14	21163-0038	D-4	34028-0014	E-8
12011-1003	B-10	130CA0820	B-8	13280-0217	B-6	14091-0807	B-4	21176-0016	C-9	34028-0015	E-8
12032-0004	B-10	13102-0028	B-14	13280-0218	B-6	14091-0843-6Z	F-12	21176-0080	F-14	35004-0078-290	E-9
12046-0043	B-11	13107-0056	C-12	132BA0608	C-6	14091-0862-17Y	B-6	21192-0003	F-14	35019-0050	E-9
12048-0021	B-11	13107-0134	C-12	132BA0608	D-5	14091-1523-6C	F-7	220AA0408	C-11	35022-0046-290	E-9
12053-0031	B-11	13107-0135	D-5	132BA0612	B-3	14091-1523-RZ	F-7	220AA0414	C-11	36001-0132-266	G-4
12053-0051	B-11	13116-0023	B-14	132BA0614	C-5	14091-1704	B-4	220AA0510	F-6	36001-0133-266	G-4
12053-0053	E-6	13127-0050	C-3	132BA0616	B-13	15004-0048	C-9	23005-0020	G-5	39007-0073	E-7

This catalog covers:

'08~'10 KLX450 A8F/A9F/AAF

GRID NO.

This grid covers:

L-14

Numerical Parts Index

Part No.	Grid No.	Part No.	Grid No.	Part No.	Grid No.	Part No.	Grid No.	Part No.	Grid No.	Part No.	Grid No.
39061-0052	D-6	41068-0004	E-12	43056-1055	F-5	46012-0048-458	F-8	49131-5147	D-7	56069-0024	G-12
39061-0086	D-6	41068-1466	E-13	43056-1055	F-7	46019-0018	F-8	51001-0153-6Z	F-12	56069-0025	G-12
39062-0083	D-8	41080-0076	F-7	41080-0076	F-5	46075-0044	F-8	51023-0026	F-12	56069-0026	G-12
39062-0084	D-8	41080-0082	F-5	43057-1001	F-7	46076-0041	F-8	51048-0009	F-12	56069-0027	G-12
39062-0085	D-8	41080-0090	F-5	43078-0031	F-3	46092-0001	F-8	510A3200	C-14	56070-3799	G-9
39062-0087	D-8	41080-0094	F-7	43078-0039	D-7	46092-0025	F-8	52005-0019	C-7	56071-0020	G-9
39062-0088	D-8	41090-0039-10Y	E-11	43080-0037	F-7	46102-0033	C-9	52010-1053	C-13	59006-0011	B-6
39062-0089	D-8	41090-0039-458	E-11	43080-0081	F-5	46102-0092	B-14	53066-0194-13R	F-13	59051-0030	B-13
39062-0187	D-7	41090-0040-10Y	E-11	43080-5138	F-5	46102-0096	F-10	53066-0194-336	F-13	59051-0044	C-12
39062-0224	D-8	41090-0040-458	E-11	43082-0048	F-7	46102-0108	F-3	53066-0194-MA	F-13	59051-0045	C-12
39062-0235	D-7	41090-0117-WC	E-11	43082-0107	F-7	46102-0137	F-3	54010-0063	B-14	59051-0046	B-13
39076-0012	D-4	41090-0118-WC	E-11	43082-1266	F-5	461S0600	B-8	54011-0065	G-3	59051-0070	B-12
39087-0004	F-8	410AA0800	E-13	43089-0010-829	F-3	461S0600	B-9	54012-0198	G-3	59051-0071	B-12
39111-0041	E-7	411S0600	B-8	43095-0024	F-6	480J1000	D-5	54017-0033	G-3	59051-0074	D-4
39156-0267	G-5	411S0600	B-9	43095-0314	F-4	480J1800	B-13	55010-0001-6C	F-10	59051-0075	B-12
39156-0268	G-5	42036-0019	E-6	44008-0031-828	F-10	480J1900	B-13	55010-0001-RZ	F-10	59231-0019	F-12
39156-0269	G-5	42036-0020	E-7	44013-0075	F-10	480J3200	B-12	55020-0172-6C	F-10	59256-0003	D-5
39156-0270	G-4	42036-0021	E-7	44013-0076	F-10	481J2000	C-8	55020-0172-RZ	F-10	600A0800	B-13
39156-0335	E-9	42036-0022	E-7	44023-0055-10J	F-10	482J5000	B-11	55020-0179-6C	E-4	610A0408	C-12
39156-0341	G-4	42036-0030	E-7	44023-0055-KX	F-10	49002-0007	B-3	55020-0179-RZ	E-4	610A0408	C-4
39156-0342	G-4	42036-1351	E-7	44026-0104	F-10	49006-0051	F-8	55020-0313-6C	E-4	610A0408	C-8
39156-0347	F-13	42041-0001	E-13	44026-0113	F-10	49006-0060	F-8	55020-0313-RZ	E-4	610A0408	D-5
39183-1059	F-8	42041-1383	E-13	44026-0114	F-10	49006-0061	B-6	55020-0369	E-4	670B2012	E-14
39184-0008	E-4	42041-1384	E-13	44037-0080-10Y	F-10	49006-1088	F-5	55020-0391	B-6	670D1507	C-6
39193-0027	B-3	42041-1408	E-13	44037-0080-458	F-10	49006-1088	F-7	55020-0397	F-7	670D2010	B-11
41009-0153	E-11	42041-1428	E-13	44039-0054-10Y	F-10	49006-1242	F-5	55020-0458-6C	F-7	670D2010	C-13
41009-0154	E-11	42041-1429	E-13	44039-0054-458	F-10	49006-1242	F-7	55022-0038-266	G-5	671B2565	C-8
41022-0026	E-11	42041-1448	E-13	44065-0006	F-10	49006-1344	F-4	550AA2015	F-6	92002-1327	B-4
41022-1107	E-11	42041-1449	E-13	44065-1140	F-10	49016-1044	F-4	550AA3035	E-13	92002-1813	E-10
41023-1009	E-11	42041-1450	E-13	44071-5042	F-10	49019-0005	F-12	550S3020	E-8	92002-1955	F-3
41023-1010	E-11	42041-1451	E-13	44071-5043	F-10	49047-0017	C-4	56052-0886	G-10	92004-0025	B-3
41024-009	E-11	43010-1087	F-6	44071-5080	F-10	49047-0028	C-4	56052-0886	G-11	92005-0014	C-7
41024-010	E-11	43015-0004	F-6	44071-5081	F-10	49065-0018	C-13	56054-0036	G-10	92005-0016	C-9
41025-0014	E-11	43015-1674	F-4	45014-0252-23D	F-3	49065-0019	C-13	56054-0037	G-10	92005-0018	B-3
41025-0083	E-11	43020-1094	F-6	45014-5041	F-3	49078-0043	B-10	56054-0038	G-10	92005-0066	D-8
41025-0083-WC	E-11	43020-1123	F-4	46003-0077	F-8	49078-0057	B-10	56054-0039	G-10	92005-0067	D-8
41025-0094-WC	E-11	43022-1010	F-4	46012-0013-10Y	F-8	49085-1078	D-6	56054-0243	G-11	92005-0083	C-7
41029-0003	E-11	43026-1075	F-4	46012-0013-21	F-8	49089-0042-27W	D-7	56054-0466	G-12	92009-1028	F-14
41029-0039	E-11	43026-1086	F-6	46012-0013-458	F-8	49089-0055-27W	D-7	56067-0971	G-10	92009-1155	E-9
41029-0040	E-11	43028-0006	C-9	46012-0020-10Y	F-8	49091-0001	F-4	56067-0972	G-10	92009-1458	F-4
41032-0002	E-11	43028-1067	F-4	46012-0020-21	F-8	49091-0001	F-6	56068-1247	G-11	92009-1551	C-9
41032-1077	E-11	43028-1092	F-6	46012-0020-458	F-8	49107-0109	B-8	56068-1248	G-11	92009-1571	C-4
41032-1085	E-11	43034-1110	F-4	46012-0021-10Y	F-8	49107-0109	B-9	56068-1249	G-11	92009-1592	F-14
41032-1086	E-11	43048-1066	F-7	46012-0021-21	F-8	49116-0015	F-10	56068-1250	G-11	92009-1828	E-6
41034-0035-10Y	E-13	43048-1093	F-5	46012-0021-458	F-8	49118-0101	B-11	56068-1251	G-11	92009-1876	C-9
41034-0035-458	E-13	43048-1095	F-5	46012-0023-10Y	F-8	49118-0102	B-11	56068-1252	G-11	92009-1884	F-10
41034-0050-10Y	E-12	43049-1060	F-5	46012-0023-21	F-8	49121-0001	C-9	56068-1253	G-11	92009-1971	F-12
41034-0050-458	E-12	43049-1061	F-5	46012-0023-458	F-8	49131-5117	D-7	56068-1253	G-12	92009-1981	C-9
41034-0057	E-13	43049-1063	F-7	46012-0048-10Y	F-8	49131-5118	D-7	56068-1384	G-11	92009-1993	E-9
41034-0066	E-12	43049-1064	F-7	46012-0048-21	F-8	49131-5146	D-7	56069-0023	G-12	92015-1014	E-6

This catalog covers:

'08~'10 KLX450 A8F/A9F/AAF

GRID NO.

This grid covers:

L-15

Numerical Parts Index

Part No.	Grid No.	Part No.	Grid No.	Part No.	Grid No.	Part No.	Grid No.	Part No.	Grid No.	Part No.	Grid No.
92015-1078	E-6	92025-1882	B-10	92045-0036	C-6	92055-074	C-12	92072-1293	G-7	92145-0497	C-5
92015-1156	B-12	92025-1883	B-10	92045-0037	C-6	92055-091	C-4	92075-1581	F-14	92145-0541	B-11
92015-1188	E-10	92025-1884	B-10	92045-0038	C-6	92055-091	C-7	92075-1787	F-12	92145-1414	C-4
92015-1259	B-6	92025-1885	B-10	92045-0039	C-7	92055-1004	C-9	92075-1912	E-9	92150-1426	C-10
92015-1339	E-4	92025-1886	B-10	92045-0057	C-6	92055-1011	C-7	92075-209	D-6	92150-1451	F-4
92015-1402	B-8	92025-1887	B-10	92045-0060	E-4	92055-1146	C-7	92081-020	B-13	92150-1452	F-4
92015-1402	B-9	92025-1888	B-10	92045-0062	C-6	92055-1156	F-11	92081-1092	C-10	92150-1474	F-9
92015-1432	E-4	92025-1889	B-10	92045-0132	C-6	92055-1167	C-10	92081-1620	C-10	92150-1650	B-11
92015-1433	E-7	92025-1890	B-10	92045-1284	E-12	92055-1223	C-10	92093-0071	C-6	92150-1691	F-5
92015-1476	D-4	92025-1982	B-10	92045-1432	C-6	92055-1276	D-4	92093-0074	B-6	92150-1692	F-7
92015-1528	F-4	92025-1983	B-10	92045-1446	E-13	92055-1293	C-3	92093-0075	B-6	92150-1760	E-3
92015-1703	F-3	92025-1984	B-10	92046-0026	D-4	92055-1346	F-3	92093-1046	C-10	92150-1802	F-11
92015-1704	F-3	92025-1985	B-10	92046-1010	C-6	92055-1348	F-12	92093-1434	E-6	92150-1811	F-7
92015-1725	B-14	92026-0064	C-7	92046-1148	C-6	92055-1352	B-4	92093-1435	E-6	92150-1845	E-3
92015-1791	E-3	92026-0097	F-10	92046-1151	E-7	92055-1370	D-4	92093-1436	E-7	92150-1858	B-13
92015-1861	E-3	92026-1217	C-5	92046-1174	E-6	92055-1383	F-3	92093-1566	F-11	92150-1935	B-3
92015-1962	F-9	92027-1966	F-12	92046-1190	B-14	92055-1441	F-11	92104-0004	G-8	92150-1978	E-13
92015-1963	C-3	92028-1857	C-3	92046-1221	C-6	92055-1550	D-4	92104-1063	G-8	92151-1131	C-8
92019-008	F-9	92033-0018	C-9	92046-1240	E-6	92055-1551	D-4	92104-1064	G-8	92151-1133	E-6
92022-1028	F-6	92033-0019	C-12	92046-1301	E-7	92055-1577	C-13	92110-0004	G-8	92151-1133	F-12
92022-1088	F-9	92033-0044	F-3	92046-1301	F-3	92055-1671	C-10	92110-0005	G-8	92151-1133	F-14
92022-1132	D-4	92033-0049	F-10	92049-0030	C-6	92057-0035	B-11	92116-1069	E-3	92151-1134	C-8
92022-1356	B-12	92033-1041	E-13	92049-0040	C-7	92057-0149	E-13	92116-1076	E-3	92151-1135	C-8
92022-1601	F-6	92033-1172	C-3	92049-0041	C-7	92058-0011	E-13	92122-0016	E-4	92151-1158	D-4
92022-161	B-3	92033-1209	F-3	92049-0056	F-10	92062-0013	C-6	92122-0021	C-12	92151-1199	C-8
92022-1649	D-4	92033-1329	F-10	92049-0057	F-3	92063-1360	C-10	92143-1087	E-9	92151-1233	G-7
92022-1690	F-12	92033-3731	D-4	92049-0063	E-7	92063-1361	C-10	92143-1196	E-4	92151-1234	E-6
92022-1737	F-9	92036-008	B-5	92049-0069	E-7	92063-1362	C-10	92143-1307	E-4	92151-1423	E-9
92022-1814	F-4	92037-1181	C-9	92049-0087	C-6	92063-1363	C-10	92143-1676	E-6	92151-1449	B-8
92022-1827	C-5	92037-1396	C-9	92049-0088	C-6	92063-1364	C-10	92143-1867	E-6	92151-1449	B-9
92022-1829	E-8	92037-147	D-7	92049-0100	F-3	92064-1141	C-10	92144-1721	F-5	92151-1537	F-9
92022-1868	B-14	92037-1903	G-3	92049-0102	F-14	92064-1142	C-10	92144-1752	E-14	92151-1545	C-6
92022-1885	B-13	92037-1903	G-7	92049-0134	C-7	92064-1143	C-10	92144-1761	C-13	92151-1546	D-5
92022-1944	B-13	92037-1993	C-7	92049-1062	B-10	92064-1160	C-10	92144-1819	F-7	92151-1654	F-6
92022-250	E-3	92042-007	B-3	92049-1196	B-3	92065-058	C-6	92144-2266	G-5	92151-1799	F-5
92022-271	B-13	92042-007	C-7	92049-1387	B-13	92066-0002	B-3	92145-0015-8V	F-3	92151-1930	B-11
92022-304	C-6	92043-0004	F-6	92049-1403	E-12	92066-0024	B-3	92145-0016-8V	F-3	92151-1930	C-5
92022-304	D-5	92043-0074	E-8	92049-1542	C-7	92066-0038	C-6	92145-0048	B-3	92151-1930	F-12
92025-1870	B-10	92043-0090	E-8	92049-1614	E-13	92066-0039	C-7	92145-0162	B-13	92152-0141	C-10
92025-1871	B-10	92043-1262	C-7	92051-005	C-6	92066-0068	B-3	92145-0164	C-10	92152-0150	C-3
92025-1872	B-10	92043-1506	C-6	92055-0046	B-3	92066-0104	C-7	92145-0166	C-10	92152-0292	E-6
92025-1873	B-10	92043-1507	F-7	92055-0066	C-9	92066-0106	C-7	92145-0167	C-10	92152-0295	G-4
92025-1874	B-10	92043-1508	F-7	92055-0104	F-10	92066-0138	C-7	92145-0198	E-8	92152-0295	G-5
92025-1875	B-10	92043-1654	C-4	92055-0105	F-10	92066-0149	C-7	92145-0199	E-8	92152-0324	E-12
92025-1876	B-10	92043-1676	C-5	92055-0106	F-10	92066-1404	C-7	92145-0244-8V	F-3	92152-0379	D-6
92025-1877	B-10	92043-4009	B-3	92055-0109	C-9	92069-1120	G-5	92145-0297	B-13	92152-0425	E-7
92025-1878	B-10	92043-4009	B-5	92055-0111	F-12	92070-0020	D-3	92145-0370	B-14	92152-0459	E-4
92025-1879	B-10	92045-0024	C-6	92055-0113	C-7	92072-0045	F-12	92145-0453	C-5	92152-0514	E-12
92025-1880	B-10	92045-0031	C-6	92055-0116	F-10	92072-0055	F-9	92145-0454	E-10	92152-0515	D-4
92025-1881	B-10	92045-0035	C-6	92055-0117	F-11	92072-1293	G-3	92145-0496	C-5	92152-0540	C-3

This catalog covers:

'08~'10 KLX450 A8F/A9F/AAF

GRID NO.

L-16

This grid covers:

Numerical Parts Index

Part No.	Grid No.	Part No.	Grid No.	Part No.	Grid No.	Part No.	Grid No.	Part No.	Grid No.	Part No.	Grid No.
92152-0573	G-5	92153-0938	E-7	92170-1448	B-3	92192-0542	C-8	99976-1462	G-13		
92152-0573	G-6	92153-0939	E-7	92170-1514	G-5	92192-0543	C-8	99976-1463	G-13		
92152-0595	E-4	92153-0974	E-14	92170-1582	C-10	92192-0544	C-8	99976-1523	G-13		
92152-0613	G-4	92153-1001	B-3	92170-1925	F-14	92200-0045	B-14	99976-1524	G-13		
92152-0624	E-3	92153-1244	G-6	92170-1925	G-7	92200-0067	F-11	99999-0023	B-3		
92152-1139	E-7	92153-1356	G-4	92170-1938	B-7	92200-0075	B-13				
92152-1346	F-12	92153-1380	B-11	92170-1938	C-8	92200-0107	C-10				
92152-1414	C-5	92153-1386	E-7	92171-0149	F-12	92200-0114	B-3				
92152-1419	C-5	92153-1506	F-9	92171-0181	E-9	92200-0154	E-14				
92152-1422	E-9	92153-1512	C-10	92171-0246	C-10	92200-0154	E-3				
92152-1427	E-13	92153-1513	C-10	92171-0372	D-8	92200-0171	C-6				
92152-1473	E-13	92153-1643	E-7	92171-0476	C-8	92200-0245	B-14				
92152-3726	B-8	92153-1652	E-4	92171-0481	F-4	92200-0271	D-6				
92152-3726	B-9	92153-1669	C-5	92171-0482	F-4	92200-0285	E-6				
92153-0020	F-11	92153-1669	C-6	92171-0515	C-8	92200-0300	F-9				
92153-0338	B-3	92153-1725	B-3	92171-0579	C-6	92200-0312	G-4				
92153-0339	B-3	92153-1756	B-6	92171-0651	B-7	92200-0390	C-3				
92153-0484	F-11	92153-1761	C-14	92171-0653	B-8	92200-1389	C-3				
92153-0502	D-7	92153-1784	C-8	92171-0653	B-9	92200-1434	C-11				
92153-0502	E-4	92153-1784	D-5	92171-0819	F-11	92200-1548	B-14				
92153-0503	D-6	92153-1785	C-8	92171-0820	F-11	92200-1623	E-13				
92153-0503	D-7	92153-1790	E-3	92171-0822	C-14	92210-0065	E-12				
92153-0503	E-4	92153-1852	E-9	92171-1279	F-14	92210-0066	E-3				
92153-0503	F-14	92153-1869	E-4	92171-1615	F-11	92210-0159	E-13				
92153-0517	F-5	92153-1870	E-4	92171-1684	C-10	92210-0167	F-9				
92153-0530	C-4	92153-1876	B-14	92172-0009	B-7	92210-0188	C-14				
92153-0620	E-6	92153-1918	F-13	92172-0069	F-9	92210-0188	D-4				
92153-0627	F-4	92154-0106	E-7	92172-0119	E-6	92210-0285	E-6				
92153-0627	F-6	92161-0113	F-9	92172-0127	C-10	92210-0337	F-11				
92153-0639	C-10	92161-0213	B-7	92172-0128	C-10	92210-0350	B-12				
92153-0653	E-8	92161-0254	F-12	92172-0129	C-10	92210-0351	E-9				
92153-0695	B-3	92161-0266	G-4	92172-0259	F-12	92210-1080	E-4				
92153-0695	C-13	92161-0266	G-5	92172-0262	G-5	92210-1080	E-7				
92153-0695	F-4	92161-0279	E-9	92172-0311	G-5	92210-1184	E-4				
92153-0704	E-4	92161-0350	B-7	92172-1064	F-6	92210-1184	E-7				
92153-0717	B-11	92161-0433	D-3	92172-1088	B-13	92210-1281	C-14				
92153-0773	F-9	92161-0456	E-4	92180-0286	E-4	92210-1352	E-9				
92153-0802	E-4	92161-0456	G-7	92180-1058	B-10	92210-1411	E-13				
92153-0810	B-3	92161-0457	E-9	92180-1059	B-10	99924-1385-01	G-13				
92153-0838	E-8	92161-0516	B-8	92180-1194	B-10	99939-1325-02	G-13				
92153-0844	B-5	92161-0516	B-9	92180-1195	B-10	99946-1043-01	G-13				
92153-0846	C-6	92161-0537	G-5	92180-1196	B-10	99950-1050-01	G-13				
92153-0862	C-13	92161-0564	E-3	92190-1488	E-14	99951-1034-01	G-13				
92153-0863	B-6	92161-0570	G-4	92192-0083	C-10	99952-1018-01	G-13				
92153-0864	D-7	92161-1172	F-3	92192-0084	C-10	99953-1040-01	G-13				
92153-0864	E-9	92161-1184	E-11	92192-0085	C-10	99954-1051-01	G-13				
92153-0934	C-6	92170-1077	D-8	92192-0161	F-12	99955-1032-01	G-13				
92153-0936	F-11	92170-1204	C-10	92192-0409	F-12	99956-1016-01	G-13				
92153-0936	F-7	92170-1226	F-9	92192-0413	C-10	99976-1338	G-13				
92153-0937	E-7	92170-1286	D-8	92192-0503	F-12	99976-1369	G-13				

This catalog covers:

'08~'10 KLX450 A8F/A9F/AAF

GRID NO.

B-16

This grid covers:

Part Name Index

Air Cleaner.....	B-6/B-7
Brake Pedal.....	E-14
Cables.....	G-3
Camshaft(s).....	B-11
Carburetor.....	C-10/C-11/C-9
Chassis Electrical Equipment.....	G-7
Clutch.....	B-14
Crankcase.....	C-6
Crankshaft.....	B-12
Cylinder.....	B-5
Cylinder Head.....	B-3
Cylinder Head Cover.....	B-4
Decals(A8F).....	G-10
Decals(A9F).....	G-11
Decals(AAF).....	G-12
Engine Cover(s).....	C-7/C-8
Engine Shrouds.....	D-7
Fenders.....	E-9
Footrests.....	E-8
Frame.....	E-3
Frame Fittings.....	E-4/E-5
Front Brake.....	F-5
Front Fork.....	F-10/F-11
Front Hub.....	E-12
Front Master Cylinder.....	F-4
Fuel Tank.....	F-12
Gear Change Drum.....	C-4
Gear Change Mechanism.....	C-5
Generator.....	C-14
Handlebar.....	F-8/F-9
Headlight(s).....	G-5

Ignition System.....	D-3
Kickstarter Mechanism.....	B-13
Labels.....	G-9
Manual.....	G-13
Meter(s).....	F-14
Muffler(s)(~JKALX450AAA006445).....	B-8
Muffler(s)(JKALX450AAA006446~).....	B-9
Oil Filter.....	C-13
Oil Pump.....	C-12
Owner's Tools.....	G-8
Piston(s).....	B-5
Radiator.....	D-6
Rear Brake.....	F-7
Rear Hub.....	E-13
Rear Master Cylinder.....	F-6
Seat.....	F-13
Shift Fork(s).....	C-4
Shock Absorber(s).....	F-3
Side Covers.....	G-4
Stand(s).....	E-10
Starter Motor.....	D-4
Suspension.....	E-7
Swingarm.....	E-6
Taillight(s).....	G-6
Tensioner.....	B-11
Tires.....	E-11
Transmission.....	C-3
Valve(s).....	B-10
Water Pipe.....	D-8
Water Pump.....	D-5

This catalog covers:

'08~'10 KLX450 A8F/A9F/AAF

GRID NO.

C-16

This grid covers:

Part Name Index

Air Cleaner.....	B-6/B-7
Brake Pedal.....	E-14
Cables.....	G-3
Camshaft(s).....	B-11
Carburetor.....	C-10/C-11/C-9
Chassis Electrical Equipment.....	G-7
Clutch.....	B-14
Crankcase.....	C-6
Crankshaft.....	B-12
Cylinder.....	B-5
Cylinder Head.....	B-3
Cylinder Head Cover.....	B-4
Decals(A8F).....	G-10
Decals(A9F).....	G-11
Decals(AAF).....	G-12
Engine Cover(s).....	C-7/C-8
Engine Shrouds.....	D-7
Fenders.....	E-9
Footrests.....	E-8
Frame.....	E-3
Frame Fittings.....	E-4/E-5
Front Brake.....	F-5
Front Fork.....	F-10/F-11
Front Hub.....	E-12
Front Master Cylinder.....	F-4
Fuel Tank.....	F-12
Gear Change Drum.....	C-4
Gear Change Mechanism.....	C-5
Generator.....	C-14
Handlebar.....	F-8/F-9
Headlight(s).....	G-5

Ignition System.....	D-3
Kickstarter Mechanism.....	B-13
Labels.....	G-9
Manual.....	G-13
Meter(s).....	F-14
Muffler(s)(~JKALX450AAA006445).....	B-8
Muffler(s)(JKALX450AAA006446~).....	B-9
Oil Filter.....	C-13
Oil Pump.....	C-12
Owner's Tools.....	G-8
Piston(s).....	B-5
Radiator.....	D-6
Rear Brake.....	F-7
Rear Hub.....	E-13
Rear Master Cylinder.....	F-6
Seat.....	F-13
Shift Fork(s).....	C-4
Shock Absorber(s).....	F-3
Side Covers.....	G-4
Stand(s).....	E-10
Starter Motor.....	D-4
Suspension.....	E-7
Swingarm.....	E-6
Taillight(s).....	G-6
Tensioner.....	B-11
Tires.....	E-11
Transmission.....	C-3
Valve(s).....	B-10
Water Pipe.....	D-8
Water Pump.....	D-5

This catalog covers:

'08~'10 KLX450 A8F/A9F/AAF

GRID NO.

D-16

This grid covers:

Part Name Index

Air Cleaner.....	B-6/B-7
Brake Pedal.....	E-14
Cables.....	G-3
Camshaft(s).....	B-11
Carburetor.....	C-10/C-11/C-9
Chassis Electrical Equipment.....	G-7
Clutch.....	B-14
Crankcase.....	C-6
Crankshaft.....	B-12
Cylinder.....	B-5
Cylinder Head.....	B-3
Cylinder Head Cover.....	B-4
Decals(A8F).....	G-10
Decals(A9F).....	G-11
Decals(AAF).....	G-12
Engine Cover(s).....	C-7/C-8
Engine Shrouds.....	D-7
Fenders.....	E-9
Footrests.....	E-8
Frame.....	E-3
Frame Fittings.....	E-4/E-5
Front Brake.....	F-5
Front Fork.....	F-10/F-11
Front Hub.....	E-12
Front Master Cylinder.....	F-4
Fuel Tank.....	F-12
Gear Change Drum.....	C-4
Gear Change Mechanism.....	C-5
Generator.....	C-14
Handlebar.....	F-8/F-9
Headlight(s).....	G-5

Ignition System.....	D-3
Kickstarter Mechanism.....	B-13
Labels.....	G-9
Manual.....	G-13
Meter(s).....	F-14
Muffler(s)(~JKALX450AAA006445).....	B-8
Muffler(s)(JKALX450AAA006446~).....	B-9
Oil Filter.....	C-13
Oil Pump.....	C-12
Owner's Tools.....	G-8
Piston(s).....	B-5
Radiator.....	D-6
Rear Brake.....	F-7
Rear Hub.....	E-13
Rear Master Cylinder.....	F-6
Seat.....	F-13
Shift Fork(s).....	C-4
Shock Absorber(s).....	F-3
Side Covers.....	G-4
Stand(s).....	E-10
Starter Motor.....	D-4
Suspension.....	E-7
Swingarm.....	E-6
Taillight(s).....	G-6
Tensioner.....	B-11
Tires.....	E-11
Transmission.....	C-3
Valve(s).....	B-10
Water Pipe.....	D-8
Water Pump.....	D-5

This catalog covers:

'08~'10 KLX450 A8F/A9F/AAF

GRID NO.

E-16

This grid covers:

Part Name Index

Air Cleaner.....	B-6/B-7
Brake Pedal.....	E-14
Cables.....	G-3
Camshaft(s).....	B-11
Carburetor.....	C-10/C-11/C-9
Chassis Electrical Equipment.....	G-7
Clutch.....	B-14
Crankcase.....	C-6
Crankshaft.....	B-12
Cylinder.....	B-5
Cylinder Head.....	B-3
Cylinder Head Cover.....	B-4
Decals(A8F).....	G-10
Decals(A9F).....	G-11
Decals(AAF).....	G-12
Engine Cover(s).....	C-7/C-8
Engine Shrouds.....	D-7
Fenders.....	E-9
Footrests.....	E-8
Frame.....	E-3
Frame Fittings.....	E-4/E-5
Front Brake.....	F-5
Front Fork.....	F-10/F-11
Front Hub.....	E-12
Front Master Cylinder.....	F-4
Fuel Tank.....	F-12
Gear Change Drum.....	C-4
Gear Change Mechanism.....	C-5
Generator.....	C-14
Handlebar.....	F-8/F-9
Headlight(s).....	G-5

Ignition System.....	D-3
Kickstarter Mechanism.....	B-13
Labels.....	G-9
Manual.....	G-13
Meter(s).....	F-14
Muffler(s)(~JKALX450AAA006445).....	B-8
Muffler(s)(JKALX450AAA006446~).....	B-9
Oil Filter.....	C-13
Oil Pump.....	C-12
Owner's Tools.....	G-8
Piston(s).....	B-5
Radiator.....	D-6
Rear Brake.....	F-7
Rear Hub.....	E-13
Rear Master Cylinder.....	F-6
Seat.....	F-13
Shift Fork(s).....	C-4
Shock Absorber(s).....	F-3
Side Covers.....	G-4
Stand(s).....	E-10
Starter Motor.....	D-4
Suspension.....	E-7
Swingarm.....	E-6
Taillight(s).....	G-6
Tensioner.....	B-11
Tires.....	E-11
Transmission.....	C-3
Valve(s).....	B-10
Water Pipe.....	D-8
Water Pump.....	D-5

This catalog covers:

'08~'10 KLX450 A8F/A9F/AAF

GRID NO.

F-16

This grid covers:

Part Name Index

Air Cleaner.....	B-6/B-7
Brake Pedal.....	E-14
Cables.....	G-3
Camshaft(s).....	B-11
Carburetor.....	C-10/C-11/C-9
Chassis Electrical Equipment.....	G-7
Clutch.....	B-14
Crankcase.....	C-6
Crankshaft.....	B-12
Cylinder.....	B-5
Cylinder Head.....	B-3
Cylinder Head Cover.....	B-4
Decals(A8F).....	G-10
Decals(A9F).....	G-11
Decals(AAF).....	G-12
Engine Cover(s).....	C-7/C-8
Engine Shrouds.....	D-7
Fenders.....	E-9
Footrests.....	E-8
Frame.....	E-3
Frame Fittings.....	E-4/E-5
Front Brake.....	F-5
Front Fork.....	F-10/F-11
Front Hub.....	E-12
Front Master Cylinder.....	F-4
Fuel Tank.....	F-12
Gear Change Drum.....	C-4
Gear Change Mechanism.....	C-5
Generator.....	C-14
Handlebar.....	F-8/F-9
Headlight(s).....	G-5

Ignition System.....	D-3
Kickstarter Mechanism.....	B-13
Labels.....	G-9
Manual.....	G-13
Meter(s).....	F-14
Muffler(s)(~JKALX450AAA006445).....	B-8
Muffler(s)(JKALX450AAA006446~).....	B-9
Oil Filter.....	C-13
Oil Pump.....	C-12
Owner's Tools.....	G-8
Piston(s).....	B-5
Radiator.....	D-6
Rear Brake.....	F-7
Rear Hub.....	E-13
Rear Master Cylinder.....	F-6
Seat.....	F-13
Shift Fork(s).....	C-4
Shock Absorber(s).....	F-3
Side Covers.....	G-4
Stand(s).....	E-10
Starter Motor.....	D-4
Suspension.....	E-7
Swingarm.....	E-6
Taillight(s).....	G-6
Tensioner.....	B-11
Tires.....	E-11
Transmission.....	C-3
Valve(s).....	B-10
Water Pipe.....	D-8
Water Pump.....	D-5

This catalog covers:

'08~'10 KLX450 A8F/A9F/AAF

GRID NO.

G-16

This grid covers:

Part Name Index

Air Cleaner.....	B-6/B-7
Brake Pedal.....	E-14
Cables.....	G-3
Camshaft(s).....	B-11
Carburetor.....	C-10/C-11/C-9
Chassis Electrical Equipment.....	G-7
Clutch.....	B-14
Crankcase.....	C-6
Crankshaft.....	B-12
Cylinder.....	B-5
Cylinder Head.....	B-3
Cylinder Head Cover.....	B-4
Decals(A8F).....	G-10
Decals(A9F).....	G-11
Decals(AAF).....	G-12
Engine Cover(s).....	C-7/C-8
Engine Shrouds.....	D-7
Fenders.....	E-9
Footrests.....	E-8
Frame.....	E-3
Frame Fittings.....	E-4/E-5
Front Brake.....	F-5
Front Fork.....	F-10/F-11
Front Hub.....	E-12
Front Master Cylinder.....	F-4
Fuel Tank.....	F-12
Gear Change Drum.....	C-4
Gear Change Mechanism.....	C-5
Generator.....	C-14
Handlebar.....	F-8/F-9
Headlight(s).....	G-5

Ignition System.....	D-3
Kickstarter Mechanism.....	B-13
Labels.....	G-9
Manual.....	G-13
Meter(s).....	F-14
Muffler(s)(~JKALX450AAA006445).....	B-8
Muffler(s)(JKALX450AAA006446~).....	B-9
Oil Filter.....	C-13
Oil Pump.....	C-12
Owner's Tools.....	G-8
Piston(s).....	B-5
Radiator.....	D-6
Rear Brake.....	F-7
Rear Hub.....	E-13
Rear Master Cylinder.....	F-6
Seat.....	F-13
Shift Fork(s).....	C-4
Shock Absorber(s).....	F-3
Side Covers.....	G-4
Stand(s).....	E-10
Starter Motor.....	D-4
Suspension.....	E-7
Swingarm.....	E-6
Taillight(s).....	G-6
Tensioner.....	B-11
Tires.....	E-11
Transmission.....	C-3
Valve(s).....	B-10
Water Pipe.....	D-8
Water Pump.....	D-5