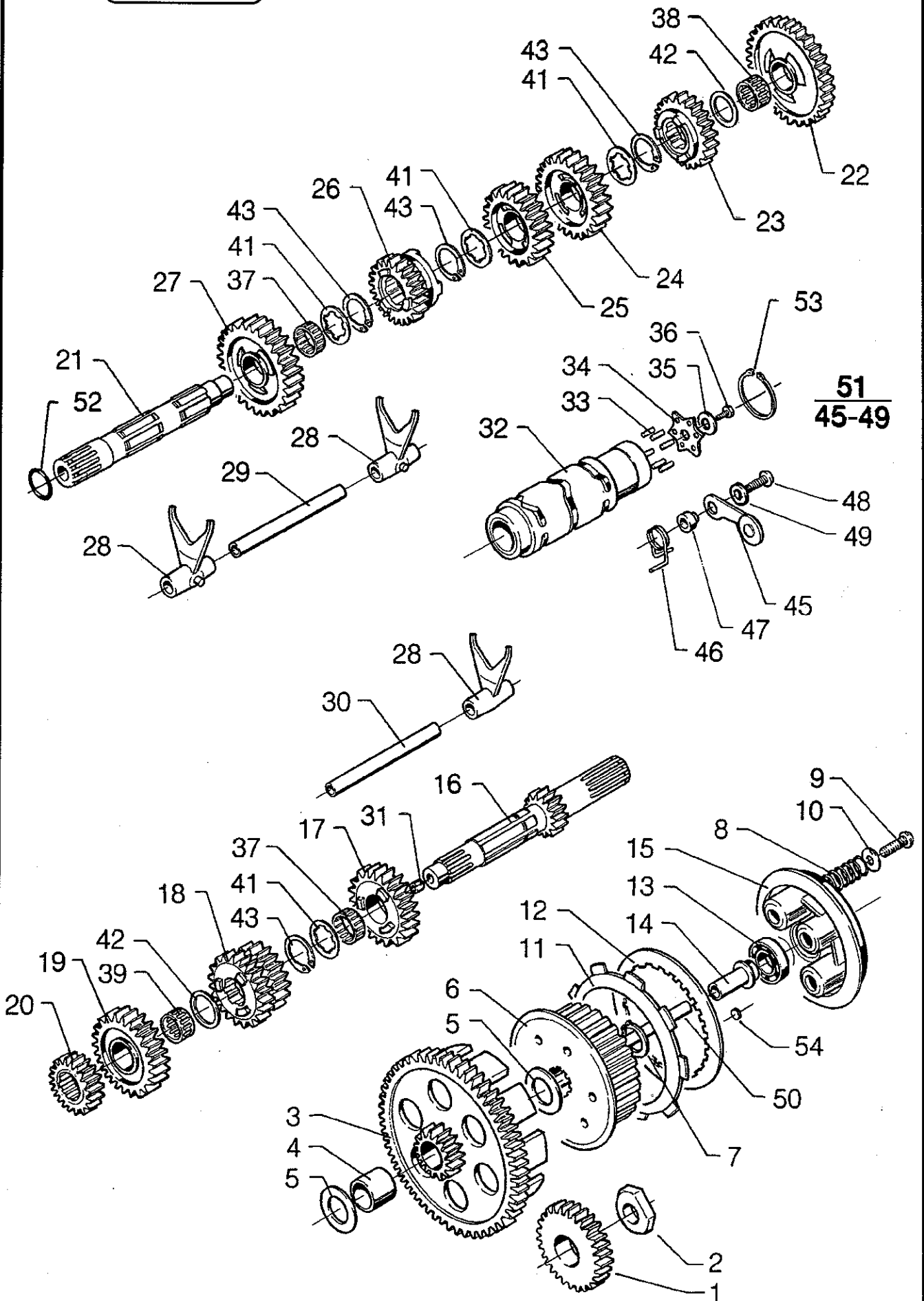


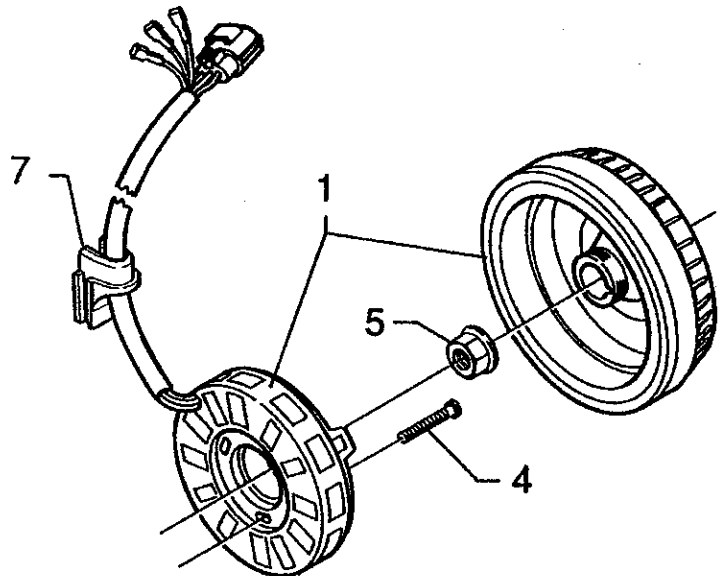
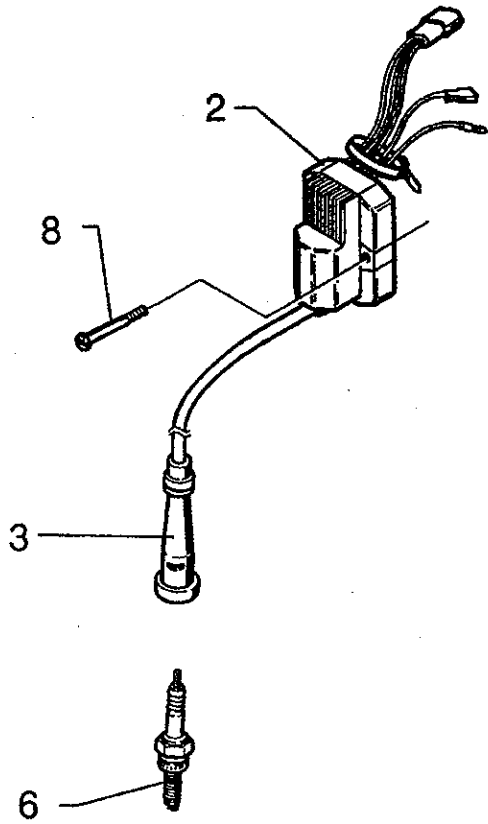
GEARBOX 99

Pos.	Part No	Quantity/Model				Description	Remarks
		FE	FC	FX	FEE		
1	230 001-01	1	1	1	1	Gearwheel crankshaft/clutch hub 89-	
2	230 005-01	1	1	1	1	Nut gearwheel crankshaft/clutch hub 89-	
3	230 002-01	1	1	1	1	Clutch hub outer 89-	
4	230 004-01	1	1	1	1	Bushing clutch hub bronze 89-	
5	230 040-01	2	2	2	2	Supportwasher bushing clutch hub 89-	
6	230 006-01	1	1	1	1	Clutch hub inner 89-	
7	330 025-01	1	1	1	1	Circlip SGA 25 89-	
8	230 118-01	6	6	6	6	Clutch spring 97-	
9	306 625-22	6	6	6	6	Screw M6S 6x25 89-	
10	230 074-01	6	6	6	6	Clutchspring retainer 89-	
11	230 073-01	7	7	7	7	Clutchdisc organic 89-	
12	230 094-01	8	8	8	8	Clutchdisc steel 89-	
13	360 025-01	1	1	1	1	Rollerbearing 96/2-	ø 42 mm
14	230 117-01	1	1	1	1	Pressure sleeve disengaging pushrod 96/2-	ø 20 mm
15	230 011-01	1	1	1	1	Pressure plate clutch hub 89-	
16	240 071-01		1	1		Main gearshaft FC 94- / FX 96-	
16	240 001-01	1			1	Main gearshaft FE/FEE 89-	
17	240 005-01	1	1	1	1	5th gearwheel main shaft 89-	
17	240 075-01		1			5th gearwheel main shaft 94-	
18	240 003-01	1	1	1	1	3rd/4th gearwheel main shaft 89-	
19	240 076-01		1	1		6th gearwheel main shaft FC 94-	
19	240 006-01	1			1	6th gearwheel main shaft FE 89- / FEE 95-	
20	240 072-01		1	1		2nd gearwheel FC 94- / FX 96-	
20	240 002-01	1	1		1	2nd gearwheel main shaft FE 89- / FEE 95-	
21	240 042-01	1	1	1	1	Secondary shaft 94-	
22	240 081-01		1	1		1st gearwheel secondary shaft FC 94- / FX 96-	
22	240 061-01	1			1	1st gearwheel secondary shaft FE 94- / FEE 95-	
23	240 065-01	1	1	1	1	5th gearwheel secondary shaft 94-	
24	240 083-01		1	1		3rd gearwheel secondary shaft FC 94- / FX 96-	
24	240 063-01	1			1	3rd gearwheel secondary shaft FE 94- / FEE 95-	
25	240 064-01	1	1	1	1	4th gearwheel secondary shaft 94-	
26	240 086-01		1			6th gearwheel secondary shaft FC 94-	
26	240 066-01	1		1	1	6th gearwheel secondary shaft FE 94- / FEE 95- / FX 96-	
27	240 082-01		1	1		2nd gearwheel secondary shaft FC 94- / FX 96-	
27	240 062-01	1			1	2nd gearwheel secondary shaft FE 94- / FEE 95-	



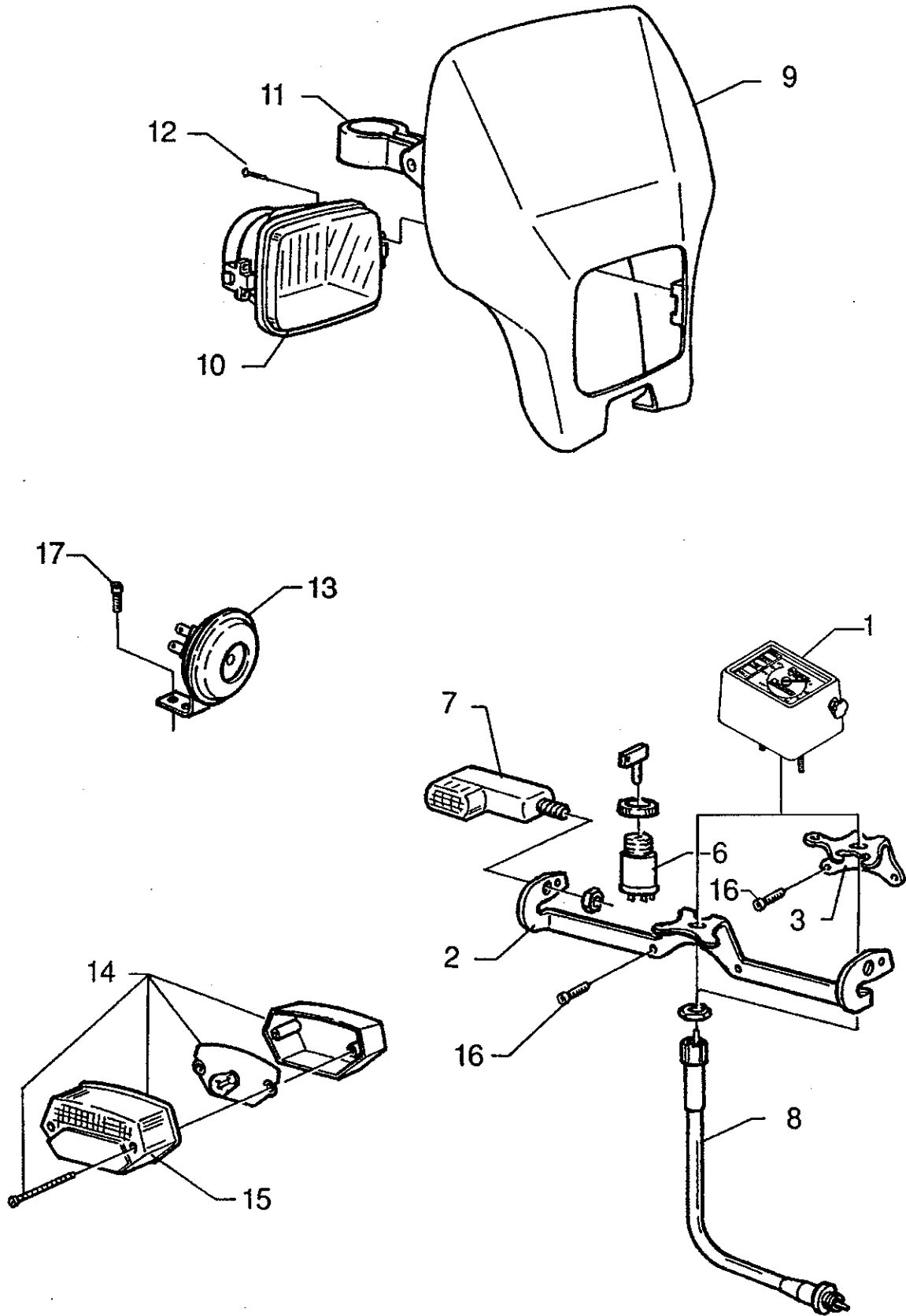
GEARBOX 99

Pos.	Part No	Quantity/Model				Description	Remarks
		FE	FC	FX	FEE		
28	240 004-01	3	3	3	3	Shiftfork 89-	4-speed gearbox: 2 pcs/model Instead of 5th gearwheel Instead of 6th gearwheel
	240 036-01		1			Spacer 4-speed gearbox FC 94-	
	240 037-01		1			Spacer 4-speed gearbox FC 94-	
29	240 007-01	1	1	1	1	Shiftfork shaft rear 89-	
30	240 008-01	1	1	1	1	Shiftfork shaft front 89-	Not for 4-speed gearbox
31	240 026-01	1	1	1	1	Bushing 89-	
32	240 028-01	1	1	1	1	Shiftdrum aluminium 89-	
33	370 018-01	6	6	6	6	Pin 4x18 89-	
34	240 027-01	1	1	1	1	Positioning star 89-	
35	326 025-01	1	1	1	1	Washer 6x25x1.5 89-	
36	306 612-22	1	1	1	1	Screw M6S 6x12 89-	
37	360 007-01	2	2	2	1	Needlebearing 22x26x13 94-	Not for 4-speed gearbox
38	360 010-01	1	1	1	1	Needlebearing 20x24x10 89-	
39	360 009-01	2	2	2	2	Needlebearing 20x24x13 94-	4-speed gearbox: 1 pcs/model
41	240 017-01	4	4	4	4	Supportwasher 89-	4-speed gearbox: 3 pcs/model
42	240 018-01	2	2	2	2	Supportwasher 89-	4-speed gearbox: 1 pcs/model
43	330 036-01	4	4	4	4	Circlip 25 25x1.2 89-	4-speed gearbox: 3 pcs/model
45	230 075-01	1	1	1	1	Shiflocating lever 89-	
46	230 077-01	1	1	1	1	Spring shiflocating lever 89-	
47	230 076-01	1	1	1	1	Sleeve 89-	
48	306 625-22	1	1	1	1	Screw M6S 6x25 89-	
49	326 016-01	1	1	1	1	Washer 6x16x1 89-	
50	230 067-01	1	1	1	1	Disengaging pushrod 91-	
51	230 078-01	1	1	1	1	Shiflocating lever kit 89-	Incl.Pos. No. 45, 46, 47, 48, 49
52	340 022-01	1	1	1	1	O-ring 22.1x1.6 94-	
53	330 030-01	1	1	1	1	Circlip SW 30 96/2-	For new type of bearing ø 42 mm
54	230 113-15	1	1	1	1	Adjustment washer 1,5 mm 95-	
54	230 113-20	1	1	1	1	Adjustment washer 2,0 mm 95-	
54	230 113-25	1	1	1	1	Adjustment washer 2,5 mm 95-	



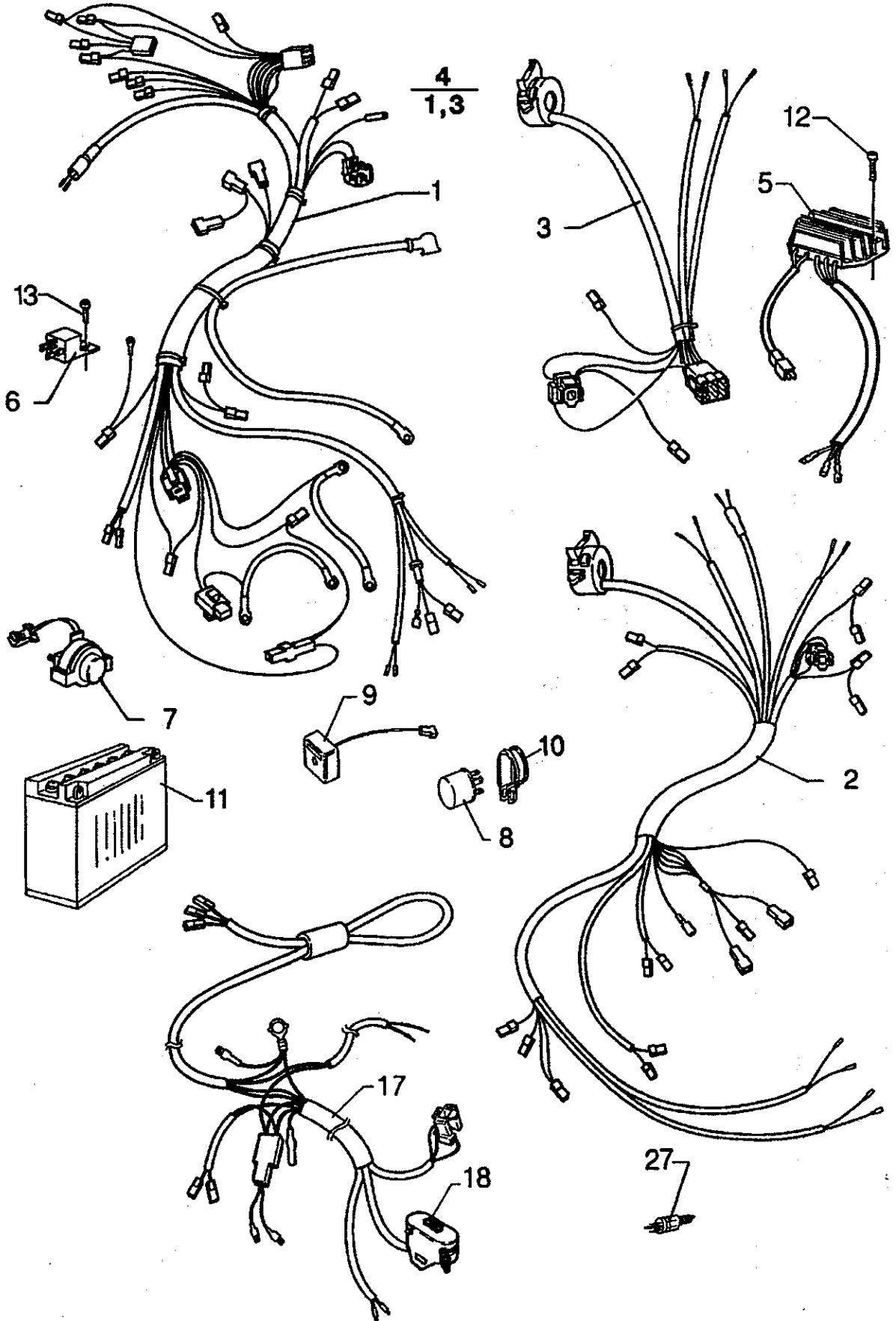
IGNITION 99

Pos.	Part No.	Quantity/Model				Description	Remarks
		FE	FC	FX	FEE		
1	250 202-01	1		1	1	Ignition complete FE/FX/FEE 99-	Ex.ignition coil
1	250 202-02		1			Ignition complete FC 99-	
2	250 216-01	1	1			Ignition coil 400 FE/FC 99-	Ex.ignition coil
2	250 216-02	1	1			Ignition coil 500/66 FE/FC 99-	
2	250 217-01				1	Ignition coil 400 FEE 99-	
2	250 217-01				1	Ignition coil 500/600 99-	
3	250 003-01	1	1	1	1	Sparkplug cap 89-	
4	305 330-22	3	3	3	3	Screw MCS 5x30 89-	
5	250 203-01	1	1	1	1	Flywheel nut 99-	
6	250 006-01	1	1	1	1	Sparkplug NGK C8E 89-	
8	305 525-22	2	2	2	2	Screw MC6S 5x25 98-	



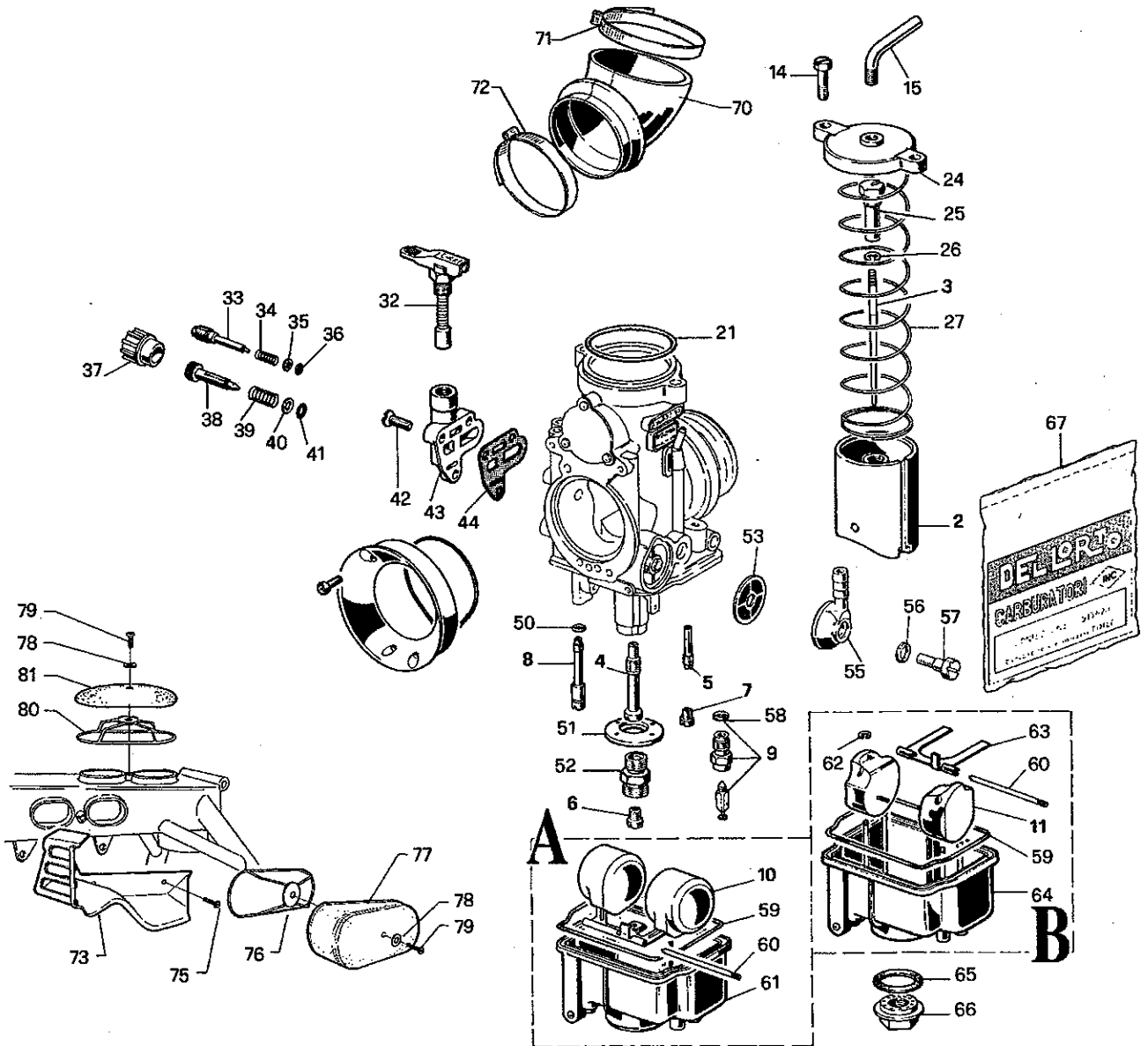
LIGHT & SPEEDOMETER 99

Pos.	Part No.	Quantity/Model				Description	Remarks
		FE	FC	FX	FEE		
1	180120-01	1			1	Speedometer 99-	In connection w. 180 068/69-01 US-versions only
	180 136-01	1			1	Bulb speedometer (VDO) 99-	
	180 077-01	1			1	Attachment nut speedometer (VDO) 89-	
	180 089-01	1		1	1	Odometer 97-	
2	180 133-01	1				Attachment speedometer/blinkers FE (VDO) 99-	
	180 133-02				1	Attachment speedometer/blinkers FEE (VDO) 99-	
	180 137-01	2			2	Plastic spacer speedometer 99-	
	180 138-01	2			2	Rubber bracket speedometer 99-	
3	180 077-01	1		1	1	Attachment odometer 89-	
6	180 047-01			1	1	Ignition lock 95-	
7	180 065-01	2			2	Blinker RH rear, LH front 89-	
	180 065-02	2			2	Blinker LH rear, RH front 89-	
8	180 139-01	1			1	Speedometer wire (VDO) 99-	For 180 120-01 US-versions only
8	180 091-01	1		1	1	Odometer wire 97-	
9	180 059-03	1			1	Headlight mask (UFO) yellow 99'	
10	180 060-01	1			1	Headlight reflector (UFO) 89-	ECE-approved Plastic lens Left hand traffic
10	180 061-01	1			1	Headlight reflector (UFO) 89-	
10	180 100-01	1			1	Headlight reflector (UFO) 89-	
11	180 062-01	2			2	Rubber strap headlight (UFO) 97-	
12	306 616-22	2			2	Screw M6S 6x16	
13	180 104-01	1				Horn FE 98-	
	180 103-01	1				Rectifier horn FE 98-	
13	180 058-01				1	Horn FEE 95-	
14	180 086-01	1			1	Taillight compl. 97-	
15	180 087-01	1			1	Lens taillight 97-	
16	406 210-22	2			2	Screw (Collar) 6x10 98-	



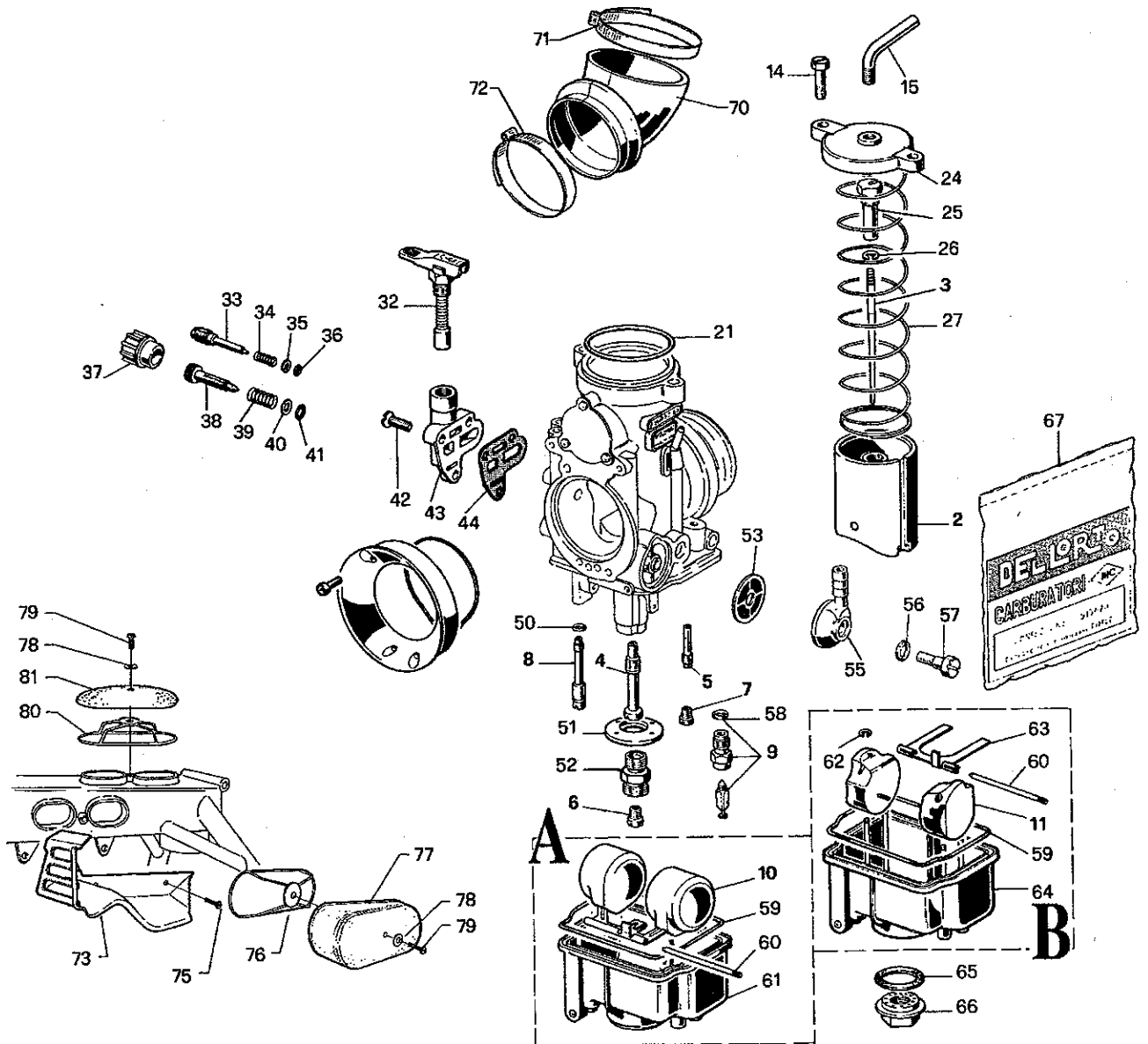
WIRING HARNESS 99

Pos.	Part No.	Quantity/Model				Description	Remarks
		FE	FC	FX	FEE		
1	180 132-01				1	Wiring harness main part (blinkers) FEE 99-	with light equipment without light equipment
1	180 129-01				1	Wiring harness US-versions FEE 99-	
1	180 027-02			1	1	Wiring harness US-versions FEE/FX 95-	
2	180 131-01	1				Wiring harness main part (blinkers) FE 99-	
3	180 034-01				1	Wiring harness switch part (blinkers) FEE 95-	
3	180 034-02	1				Wiring harness switch part (blinkers) FE 89-	
3	180 034-03				1	Wiring harness switch part (blinkers) FS 98-	
5	180 123-01			1	1	Rectifier 95-	
6	180 053-01			1	1	Light relay 95-	
7	180 095-01			1	1	Starter relay 95-	
8	180 026-01	1			1	Blinker relay 89-	
9	180 019-01	1				Voltage regulator 89-	
	406 230-22	1				Screw (Collar) 6x30 98-	
	406 240-22			1	1	Screw (Collar) 6x40 98-	
10	180 033-01	1			1	Clamp blinker relay 89-	
11	180 097-01			1	1	Battery 95-	
12	306 025-70	1		2	2	Screw LKCS 6x25 98-	
13	306 050-70			1	1	Screw LKCS 6x50 98-	
17	180 130-01	1				Wiring harness (without blinkers) FE 99-	
18	180 106-01	1				Handlebar switch (without blinkers) FE 98-	
27	140 102-01	1			1	Microswitch brakelight (front) 94-	
				1	1	Bracket "ON-OFF-switch" US-versions 98-	



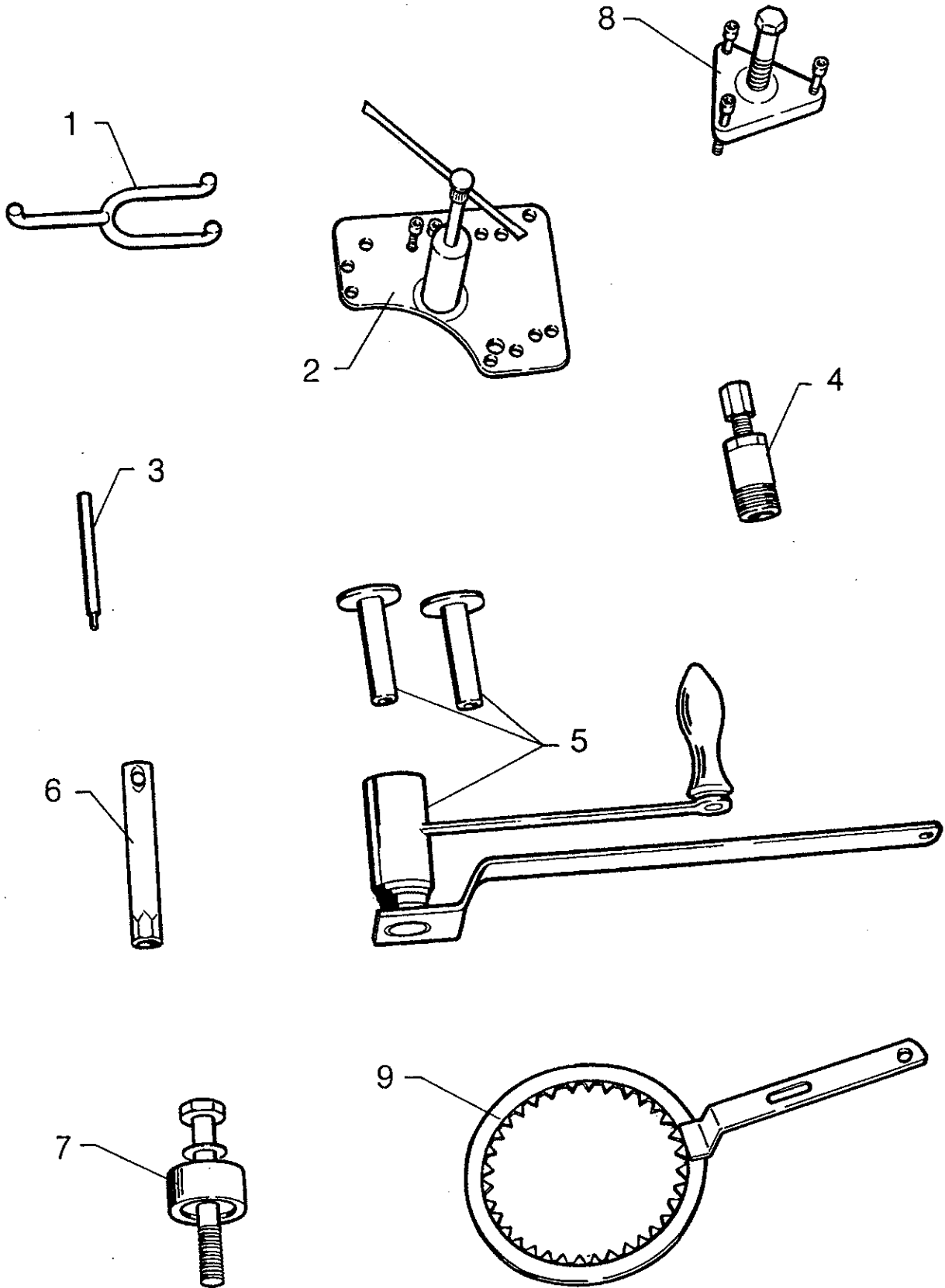
CARBURETTOR 99

Pos.	Part No	Quantity/Model				Description	Remarks
		FE	FC	FX	FEE		
1	250 152-01	1	1	1	1	Carburettor ø 40 mm 97-	
1	250 151-01	1	1	1	1	Carburettor ø 38 mm 98-	
2	250 160-01	1	1	1	1	Throttle (round throttle) 97-	
2	250 161-01	1	1	1	1	Throttle (round throttle) 45 97-	
2	250 162-01	1	1	1	1	Throttle (round throttle) 50 97-	
3	250 163-01	1	1	1	1	Needle K 51	
4	250 164-01	1	1	1	1	Needlejet DR 272	
4	250 165-01	1	1	1	1	Needlejet DR 270	
4	250 166-01	1	1	1	1	Needlejet DR 274	
5	250 194-01	1	1	1	1	Mixture jet tube	
6	250 183-01	1	1	1	1	Mainjet 173	
6	250 015-01	1	1	1	1	Mainjet 175	
6	250 016-01	1	1	1	1	Mainjet 180	
6	250 017-01	1	1	1	1	Mainjet 185	
6	250 018-01	1	1	1	1	Mainjet 190	
6	250 019-01	1	1	1	1	Mainjet 195	
6	250 020-01	1	1	1	1	Mainjet 200	
7	250 029-01	1	1	1	1	Pilotjet 45	
7	250 030-01	1	1	1	1	Pilotjet 48	
7	250 031-01	1	1	1	1	Pilotjet 50	
7	250 032-01	1	1	1	1	Pilotjet 52	
7	250 033-01	1	1	1	1	Pilotjet 55	
8	250 056-01	1	1	1	1	Startjet 45 (round throttle)	
8	250 057-01	1	1	1	1	Startjet 50 (round throttle)	
8	250 058-01	1	1	1	1	Startjet 55 (round throttle)	
8	250 094-01	1	1	1	1	Startjet 35 (round throttle)	
8	250 095-01	1	1	1	1	Startjet 40 (round throttle)	
9	250 034-01	1	1	1	1	Float needlejet 300 (round throttle)	
9	250 098-01	1	1	1	1	Float needlejet 350 (round throttle)	
10	250 167-01	1	1	1	1	Float (double type)	
11	250 168-01	2	2	2	2	Float (single type)	
14	250 046-01	2	2	2	2	Screw throttle cover	
15	250 045-01	1	1	1	1	Tube bend	
24	250 169-01	1	1	1	1	Throttle cover	
25	250 101-01	1	1	1	1	Needleholder	
26	250 102-01	1	1	1	1	Clips needle	
27	250 170-01	1	1	1	1	Spring throttle (round throttle)	
32	250 052-01	1	1	1	1	Choke lever (round throttle)	Incl.Pos.No. 42, 43, 44
33	250 171-01	1	1	1	1	Mixture screw	
34	250 063-01	1	1	1	1	Spring mixture screw	
37	250 172-01	1	1	1	1	Cap idle screw	
38	250 173-01	1	1	1	1	Idle screw	
39	250 174-01	1	1	1	1	Spring idle screw	
42	250 053-01	3	3	3	3	Screw choke body	
51	250 175-01	1	1	1	1	Stabilizer washer	
52	250 176-01	1	1	1	1	Mainjet support	



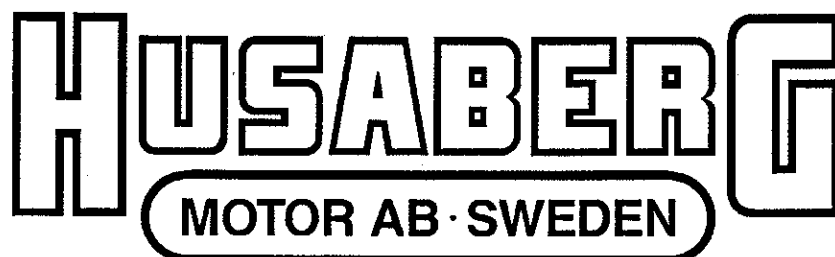
CARBURETTOR 99

Pos.	Part No	Quantity/Model				Description	Remarks
		FE	FC	FX	FEE		
53	250 070-01	1	1	1	1	Fuel filter	
55	250 177-01	1	1	1	1	Fuel line inlet	
57	250 178-01	1	1	1	1	Screw fuel line inlet	
60	250 179-01	1	1	1	1	Cotter float	
62	250 180-01	1	1	1	1	Clips	
63	250 181-01	1	1	1	1	Float fork	
64	250 182-01	1	1	1	1	Float chamber	
66	250 043-01	1	1	1	1	Drainplug	
67	250 076-01	1	1	1	1	Gasket kit	
70	150 064-01	1	1	1	1	Airfilter tube	
71	150 077-01	1	1	1	1	Clamp airfilter tube/frame	
72	150 003-01	1	1	1	1	Clamp airfilter tube/carburettor	
73	150 006-01	1		1	1	Airfilterintake protection 89-	
75	406 110-22	2		2	2	Screw (Collar) 6x10 98-	
76	150 005-01	1		1	1	Airfilter basket left side FE 89- / FEE 95-	
77	150 066-01	1		1	1	Airfilter left side FE 89- / FEE 95-	
78	326 022-01	2	1	2	2	Washer 6.4x22x1.5	
79	306 535-22	1		1	1	Screw airfilter left MC6S 6x35 89-	
79	306 520-22	1		1	1		
79	306 530-22		1			Screw airfilter upper FC MC6S 6x30 96-	
80	150 097-01	1		1	1	Airfilter basket upper FE 94- / FEE 95-	
80	150 138-01		1			Airfilter basket upper FC 97-	
81	150 098-01	1		1	1	Airfilter upper FE 94- / FEE 95-	
81	150 137-01		1			Airfilter upper FC 97-	



TOOLS 99

Pos.	Part No	Quantity/Model				Description	Remarks
		FE	FC	FX	FEE		
1	270 030-01					Holding tool flywheel 99-	
2	270 011-01					Puller crankcase	
3	270 012-01					Drift removing valve guide	
4	270 028-01					Puller flywheel 99-	
5	270 010-01					Mounting tool	
6	270 001-01					Sparkplug wrench	
7	270 008-01					Mounting puller	
8	270 005-01					Puller clutch	
9	270 007-01					Holding tool	



HUSABERG MOTOR AB

**Endurovägen
S-695 72 Rölfors
SWEDEN**

**www.husaberg.se
force@husaberg.se**