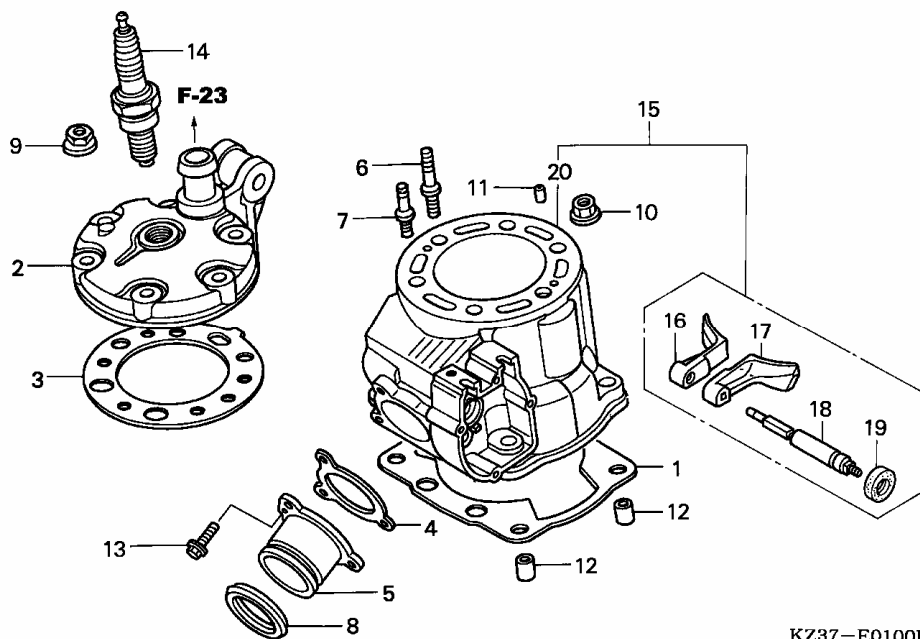




CR 250R

2004

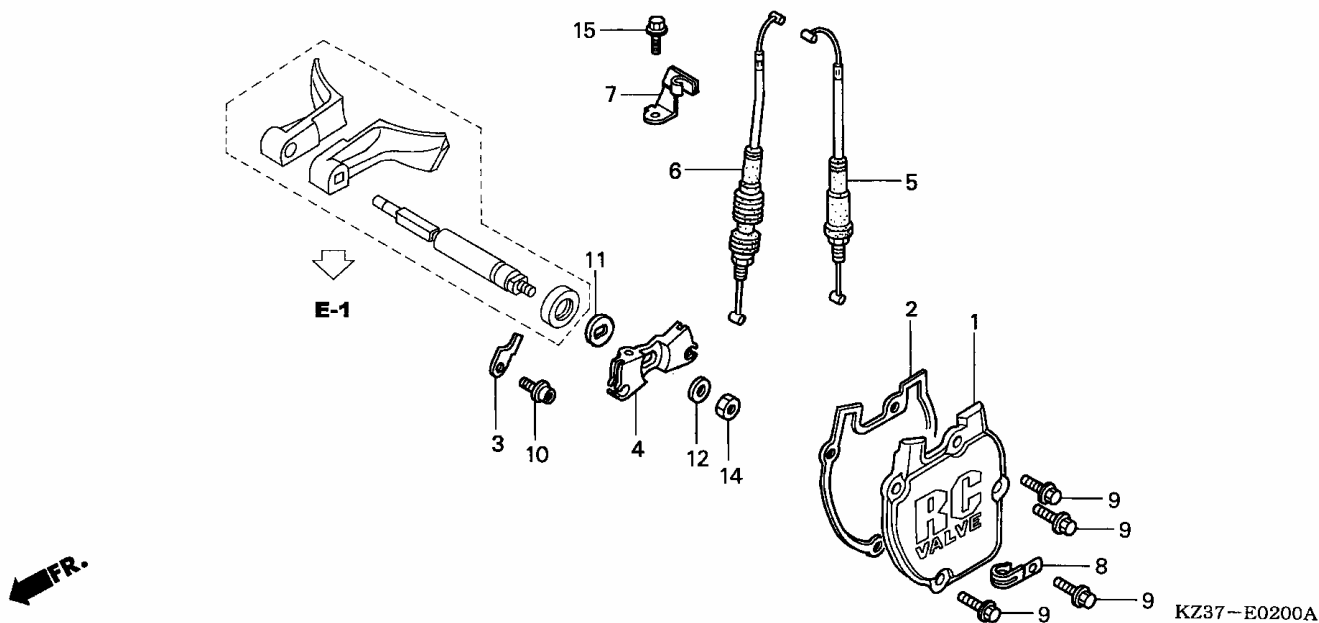
Block E-1 CYLINDER/CYLINDER HEAD



KZ37-E0100B

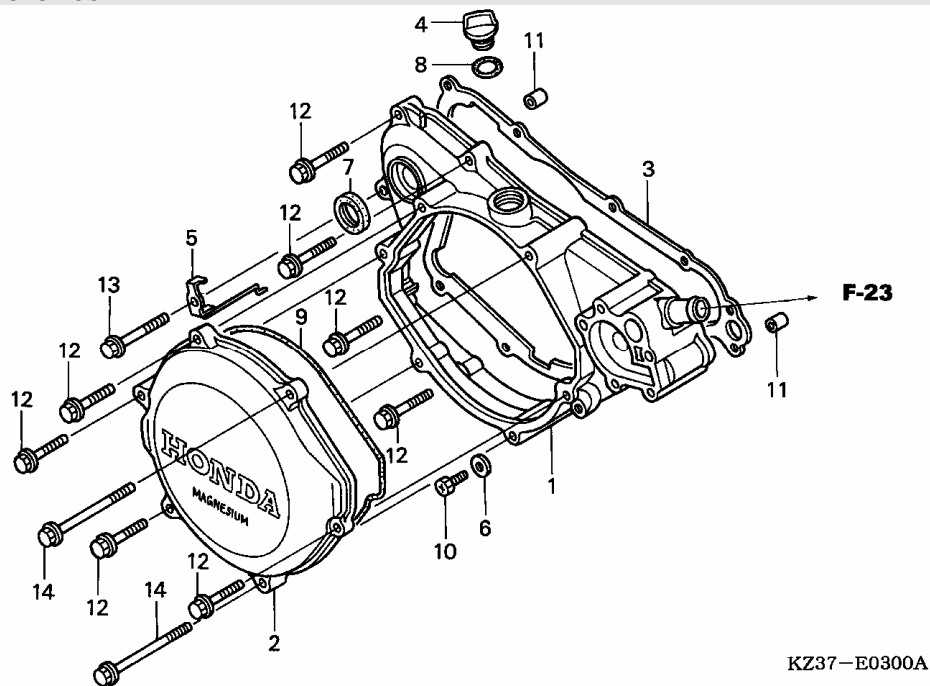
| Refnr | Part Number | Part Description | Unit Qty | Repair Qty | Price SEK (excl. VAT) |
|-------|---------------|-------------------------------|----------|------------|--------------------------|
| 1 | 12191-KZ3-L20 | GASKET, CYLINDER | 001 | 0,00 | 63,95 |
| 2 | 12201-KSK-670 | HEAD, CYLINDER | 001 | 0,00 | 1 387,37 |
| 3 | 12254-KZ3-L21 | GASKET, CYLINDER HEAD | 001 | 0,00 | 191,63 |
| 4 | 18291-KSK-671 | GASKET, EX. JOINT | 001 | 0,00 | 45,19 |
| 5 | 18351-KSK-670 | JOINT, EX. PIPE | 001 | 0,00 | 521,40 |
| 6 | 90011-KR8-750 | BOLT, SPECIAL STUD, 8X37 | 004 | 0,00 | 61,34 |
| 7 | 90011-KZ3-L20 | BOLT, SPECIAL STUD, 8X13.5 | 002 | 0,00 | 37,34 |
| 8 | 91302-KZ3-L20 | SEAL, EX. JOINT | 001 | 0,00 | 76,28 |
| 9 | 94050-08000- | NUT, FLANGE, 8MM | 006 | 0,00 | 6,82 |
| 10 | 94050-10000- | NUT, FLANGE, 10MM | 004 | 0,00 | 6,09 |
| 11 | 94301-06100- | DOWEL PIN, 6X10 | 002 | 0,00 | 10,51 |
| 12 | 94301-12200- | DOWEL PIN, 12X20 | 002 | 0,00 | 11,98 |
| 13 | 96001-0601600 | BOLT, FLANGE, 6X16 | 003 | 0,00 | 6,09 |
| 14 | 98079-58659- | PLUG, SPARK (W24ESR-V)(DENSO) | 001 | 0,00 | 94,84 |
| 14 | 98079-58679- | PLUG, SPARK (BR8EG) (NGK) | 001 | 0,00 | 94,84 |
| 16 | 14201-KSK-670 | VALVE, R. FLAP | 001 | 0,00 | 518,78 |
| 17 | 14202-KSK-670 | VALVE, L. FLAP | 001 | 0,00 | 518,78 |
| 18 | 14211-KZ3-L20 | SHAFT A, FLAP VALVE | 001 | 0,00 | 362,36 |
| 19 | 91204-KZ3-L21 | OIL SEAL, 10X20X5 | 001 | 0,00 | 41,90 |
| 20 | 12110-KSK-670 | CYLINDER COMP. A | 001 | 0,00 | 5 316,41 |
| 20 | 12120-KSK-670 | CYLINDER COMP. B | 001 | 0,00 | 5 316,41 |

Block E-2 CYLINDER SIDE COVER



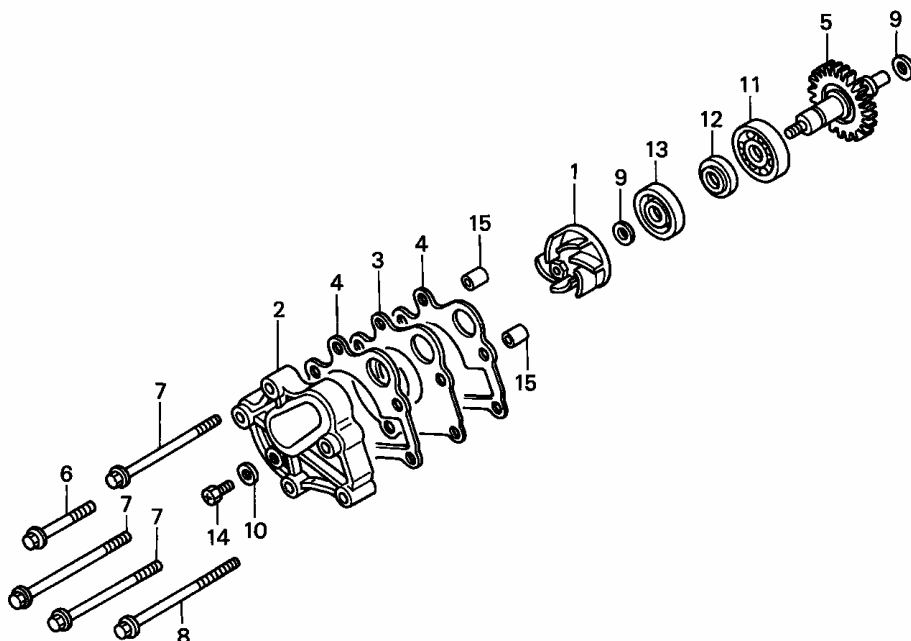
| Refnr | Part Number | Part Description | Unit Qty | Repair Qty | Price SEK (excl. VAT) |
|-------|---------------|----------------------------|----------|------------|--------------------------|
| 1 | 12107-KZ3-L20 | COVER, L. CYLINDER SIDE | 001 | 0,00 | 164,99 |
| 2 | 12111-KZ3-L20 | GASKET, CYLINDER L. SIDE | 001 | 0,00 | 52,66 |
| 3 | 14215-KZ3-L20 | PLATE, VALVE SHAFT | 001 | 0,00 | 22,48 |
| 4 | 14320-KZ3-L20 | GUIDE COMP., VALVE CABLE | 001 | 0,00 | 218,40 |
| 5 | 14330-KZ3-L20 | CABLE COMP., RR. EX. VALVE | 001 | 0,00 | 102,40 |
| 6 | 14340-KZ3-L20 | CABLE COMP., FR. EX. VALVE | 001 | 0,00 | 102,40 |
| 7 | 14360-KZ3-L20 | HOLDER COMP., CABLE | 001 | 0,00 | 61,33 |
| 8 | 32925-958-000 | CLIP, PULSER CORD | 001 | 0,00 | 13,43 |
| 9 | 90005-896-000 | BOLT, FLANGE, 5X16 | 004 | 0,00 | 12,26 |
| 10 | 90009-MF5-000 | BOLT, FLANGE SOCKET, 6X12 | 001 | 0,00 | 23,48 |
| 11 | 90555-KZ3-L20 | WASHER, VALVE SHAFT | 001 | 0,00 | 33,63 |
| 12 | 90556-KZ3-L20 | WASHER, PLAIN | 001 | 0,00 | 26,68 |
| 14 | 94001-060000S | NUT, HEX., 6MM | 001 | 0,00 | 5,35 |
| 15 | 96001-0601400 | BOLT, FLANGE, 6X14 | 001 | 0,00 | 8,30 |

Block E-3 RIGHT CRANKCASE COVER



| Refnr | Part Number | Part Description | Unit Qty | Repair Qty | Price SEK (excl. VAT) |
|-------|---------------|------------------------------|----------|------------|-----------------------|
| 1 | 11341-KZ3-L20 | COVER, R. CRANKCASE | 001 | 0,00 | 1 708,35 |
| 2 | 11342-KZ3-L20 | COVER, CLUTCH | 001 | 0,00 | 993,69 |
| 3 | 11395-KZ3-L20 | GASKET, R. CRANKCASE COVER | 001 | 0,00 | 103,18 |
| 4 | 15611-KA4-710 | CAP, OIL FILLER | 001 | 0,00 | 79,30 |
| 5 | 16240-KZ3-L20 | CLAMPER COMP., AIR VENT TUBE | 001 | 0,00 | 58,96 |
| 6 | 90463-ML7-000 | WASHER, SEALING, 6.5MM | 001 | 0,00 | 24,98 |
| 7 | 91204-KF0-003 | OIL SEAL, 20X28X5 | 001 | 0,00 | 38,89 |
| 8 | 91307-035-000 | O-RING, 18X3 | 001 | 0,00 | 12,38 |
| 9 | 91311-KZ3-L21 | O-RING, SPECIAL | 001 | 0,00 | 74,71 |
| 10 | 92301-060100A | BOLT, RECESSED, 6X10 | 001 | 0,00 | 5,79 |
| 11 | 94301-08140- | DOWEL PIN, 8X14 | 002 | 0,00 | 10,79 |
| 12 | 96001-0602800 | BOLT, FLANGE, 6X28 | 010 | 0,00 | 10,79 |
| 13 | 96001-0604000 | BOLT, FLANGE, 6X40 | 001 | 0,00 | 10,06 |
| 14 | 96001-0607500 | BOLT, FLANGE, 6X75 | 002 | 0,00 | 9,77 |

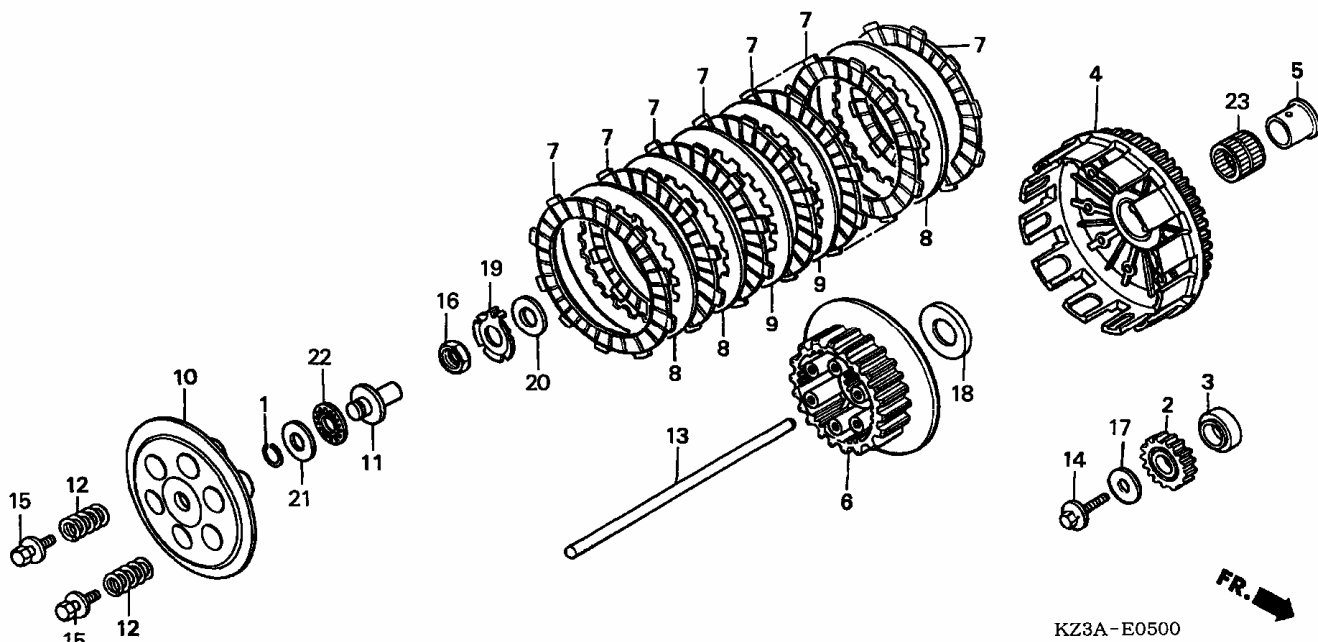
Block E-4 WATER PUMP



KZ3A-E0400 **FR.**

| Refnr | Part Number | Part Description | Unit Qty | Repair Qty | Price SEK (excl. VAT) |
|-------|---------------|-------------------------------------|----------|------------|-----------------------|
| 1 | 19215-KA3-740 | IMPELLER, WATER PUMP | 001 | 0,00 | 225,36 |
| 2 | 19221-KZ3-L20 | COVER, WATER PUMP | 001 | 0,00 | 596,99 |
| 3 | 19222-KZ3-L20 | SEPARATOR, WATER PUMP | 001 | 0,00 | 48,33 |
| 4 | 19229-KZ3-L20 | GASKET, WATER PUMP | 002 | 0,00 | 25,37 |
| 5 | 19240-KZ3-J20 | GEAR COMP., WATER PUMP | 001 | 0,00 | 509,06 |
| 6 | 90004-GHB-710 | BOLT, FLANGE, 6X40 (NSHF) | 001 | 0,00 | 16,54 |
| 7 | 90004-GHB-790 | BOLT, FLANGE, 6X80 (NSHF) | 003 | 0,00 | 25,54 |
| 8 | 90004-GHB-810 | BOLT, FLANGE, 6X90 (NSHF) | 001 | 0,00 | 25,54 |
| 9 | 90447-KE1-000 | WASHER, SEALING, 7MM | 002 | 0,00 | 18,68 |
| 10 | 90463-ML7-000 | WASHER, SEALING, 6.5MM | 001 | 0,00 | 24,98 |
| 11 | 91001-KA4-003 | BEARING, RADIAL BALL, 12X28X7 (NTN) | 001 | 0,00 | 121,82 |
| 12 | 91201-148-003 | OIL SEAL, 12X22X5 (ARAI) | 001 | 0,00 | 27,20 |
| 13 | 91211-KA3-761 | SEAL, WATER PUMP (NOK) | 001 | 0,00 | 48,20 |
| 14 | 92301-060100A | BOLT, RECESSED, 6X10 | 001 | 0,00 | 5,79 |
| 15 | 94301-08140- | DOWEL PIN, 8X14 | 002 | 0,00 | 10,79 |

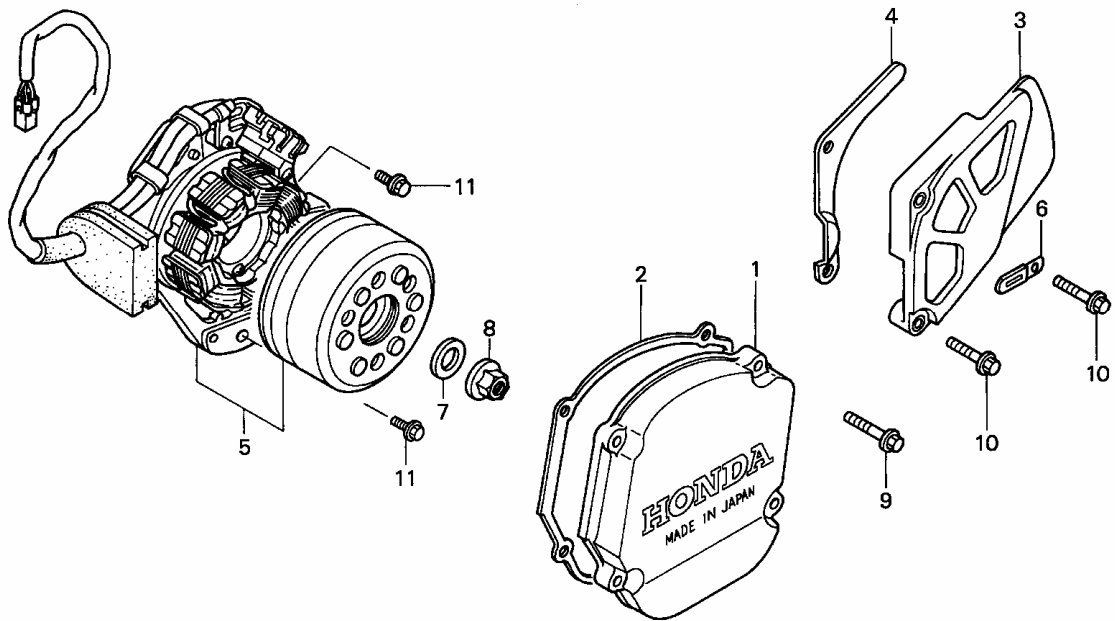
Block E-5 CLUTCH



KZ3A-E0500

| Refnr | Part Number | Part Description | Unit Qty | Repair Qty | Price SEK (excl. VAT) |
|-------|---------------|---------------------------------------|----------|------------|-----------------------|
| 1 | 13115-147-000 | CLIP, PISTON PIN, 10MM | 001 | 0,00 | 8,70 |
| 2 | 13615-KS7-000 | GEAR, PRIMARY DRIVE (21T) | 001 | 0,00 | 456,71 |
| 3 | 13617-ML3-000 | COLLAR, DRIVE GEAR | 001 | 0,00 | 220,76 |
| 4 | 22100-KSK-670 | OUTER COMP., CLUTCH | 001 | 0,00 | 2 956,97 |
| 5 | 22106-KS7-000 | COLLAR, CLUTCH OUTER | 001 | 0,00 | 134,02 |
| 6 | 22120-KZ3-B10 | CENTER, CLUTCH | 001 | 0,00 | 491,75 |
| 7 | 22201-KZ3-730 | DISK, CLUTCH FRICTION | 008 | 0,00 | 156,20 |
| 8 | 22321-KA4-741 | PLATE B, CLUTCH | 005 | 0,00 | 98,20 |
| 9 | 22321-KZ3-690 | PLATE B, CLUTCH | 002 | 0,00 | 76,16 |
| 10 | 22351-KZ3-860 | PLATE, CLUTCH PRESSURE | 001 | 0,00 | 455,40 |
| 11 | 22352-ML3-910 | PIECE, CLUTCH LIFTER | 001 | 0,00 | 181,39 |
| 12 | 22401-KZ3-690 | SPRING, CLUTCH (PINK) | 006 | 0,00 | 30,62 |
| 13 | 22851-KZ3-J20 | ROD, CLUTCH LIFTER | 001 | 0,00 | 114,21 |
| 14 | 90013-430-000 | BOLT, SPECIAL, 10X25 | 001 | 0,00 | 109,71 |
| 15 | 90022-MM5-000 | BOLT-WASHER, 6X25 | 006 | 0,00 | 25,16 |
| 16 | 90235-KA4-000 | NUT, 18MM | 001 | 0,00 | 40,33 |
| 17 | 90401-ML3-790 | WASHER, PLAIN, 10MM | 001 | 0,00 | 40,33 |
| 18 | 90421-HA2-010 | WASHER, THRUST, 23X48 | 001 | 0,00 | 66,97 |
| 19 | 90461-KZ3-J10 | WASHER, LOCK, 18MM | 001 | 0,00 | 47,55 |
| 20 | 90501-ML3-910 | WASHER, 18X32X2 | 001 | 0,00 | 27,86 |
| 21 | 90608-072-000 | WASHER, 12MM | 001 | 0,00 | 46,89 |
| 22 | 91001-147-003 | BEARING, NEEDLE, 12MM (NTN) | 001 | 0,00 | 53,59 |
| 23 | 91021-ML3-003 | BEARING, NEEDLE, 28X32X27.2 (TOMUSON) | 001 | 0,00 | 165,52 |

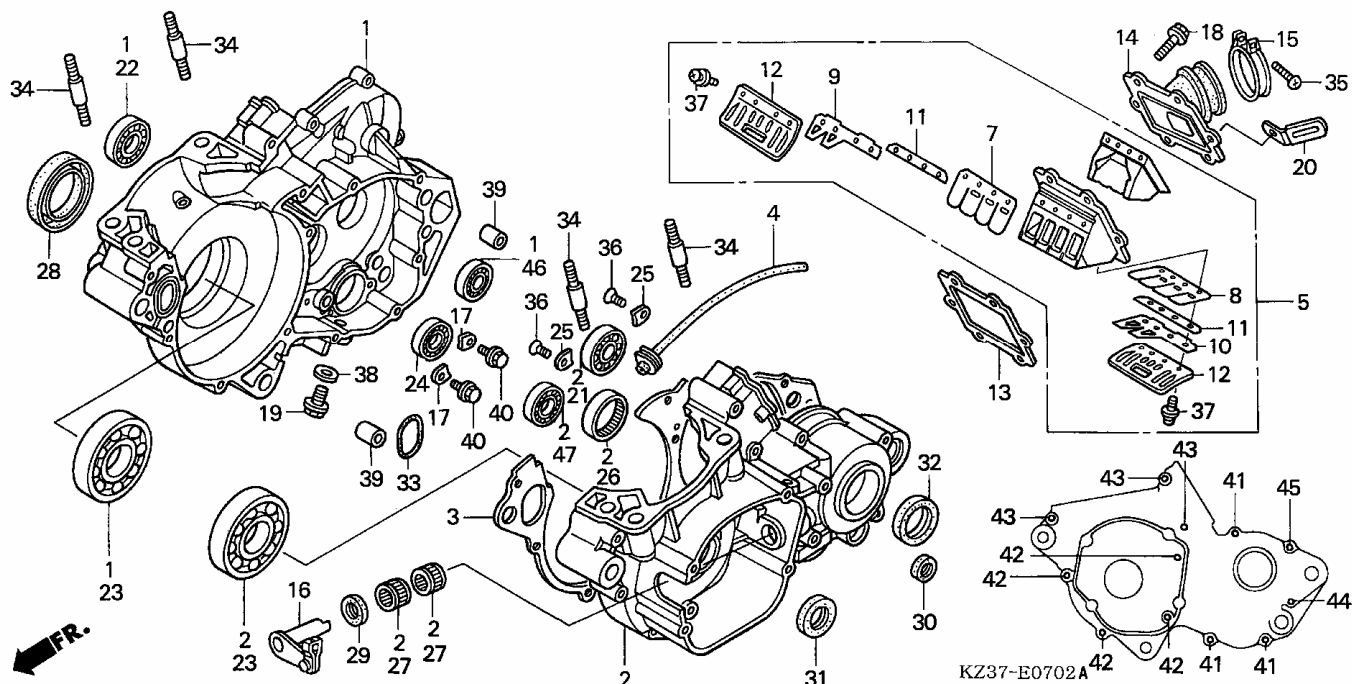
Block E-6 LEFT CRANKCASE COVER/ GENERATOR



KZ37-E0600

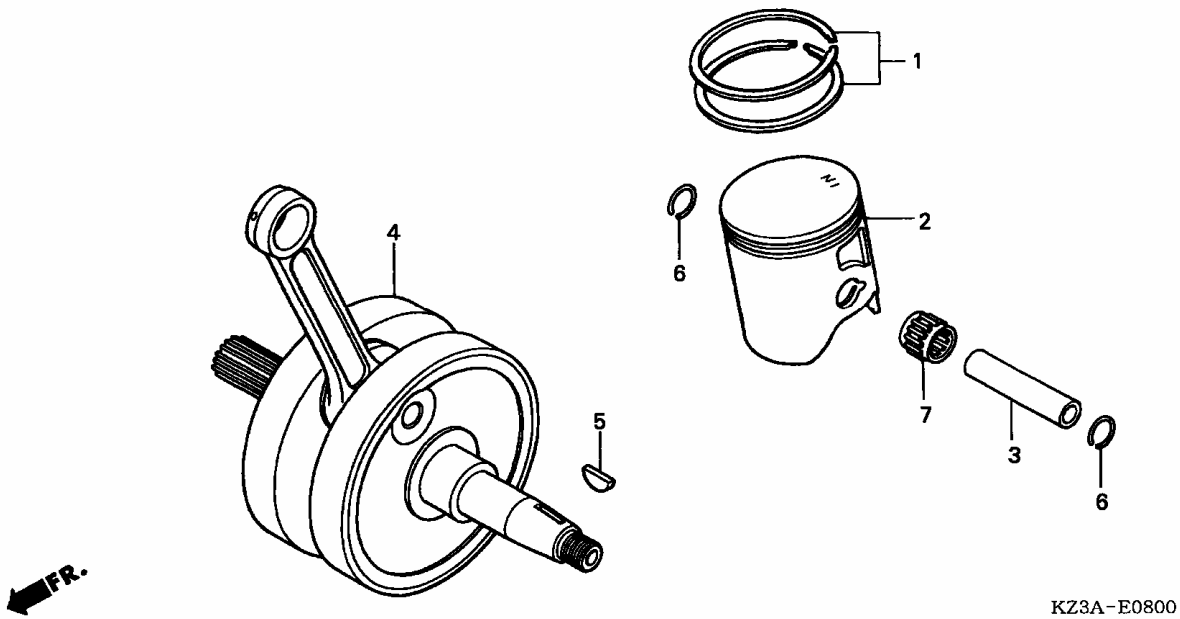
| Refnr | Part Number | Part Description | Unit Qty | Repair Qty | Price SEK (excl. VAT) |
|-------|---------------|-------------------------------------|----------|------------|--------------------------|
| 1 | 11351-KZ3-L20 | COVER, L. CASE | 001 | 0,00 | 486,49 |
| 2 | 11352-KZ3-L20 | GASKET, L. COVER | 001 | 0,00 | 43,48 |
| 3 | 23810-KZ3-L20 | COVER, DRIVE SPROCKET | 001 | 0,00 | 171,03 |
| 4 | 23812-KZ3-L20 | GUIDE, DRIVE CHAIN | 001 | 0,00 | 55,29 |
| 5 | 31100-KSK-670 | GENERATOR ASSY., FLYWHEEL TYPE A.C. | 001 | 0,00 | 6 500,86 |
| 6 | 32925-958-000 | CLIP, PULSER CORD | 001 | 0,00 | 13,43 |
| 7 | 90441-KR3-000 | WASHER, PLAIN, 12MM | 001 | 0,00 | 16,97 |
| 8 | 94001-122000S | NUT, HEX., 12MM | 001 | 0,00 | 5,35 |
| 9 | 96001-0602500 | BOLT, FLANGE, 6X25 | 004 | 0,00 | 7,56 |
| 10 | 96001-0603200 | BOLT, FLANGE, 6X32 | 002 | 0,00 | 10,06 |
| 11 | 96300-0601800 | BOLT, FLANGE, 6X18 | 002 | 0,00 | 6,52 |

Block E-7-2 CRANKCASE (CR250R4)



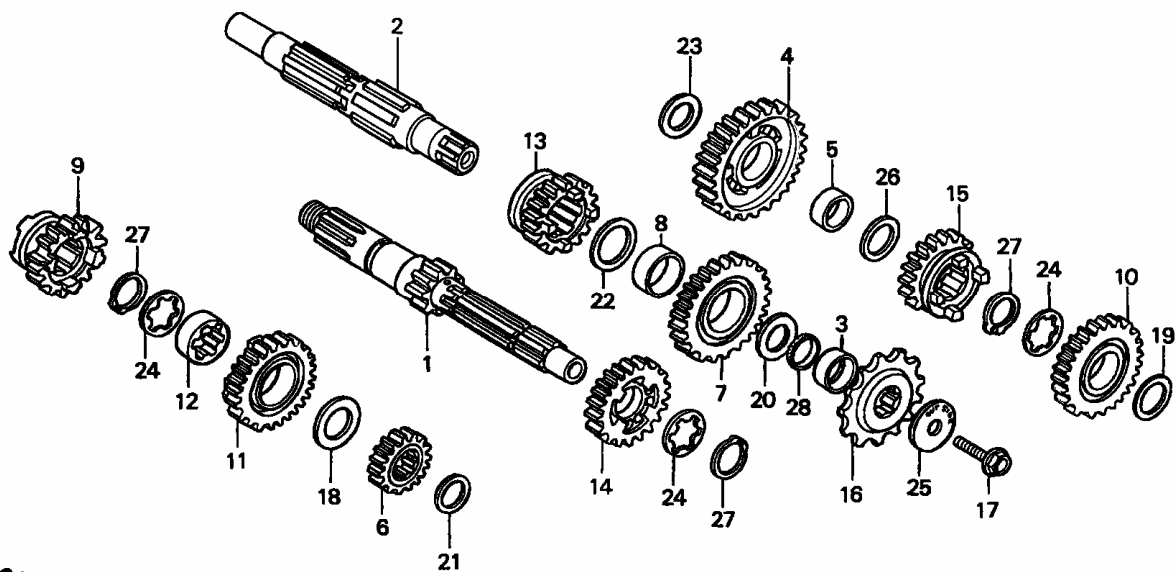
| Refnr | Part Number | Part Description | Unit Qty | Repair Qty | Price SEK (excl. VAT) |
|-------|---------------|--------------------------------------|----------|------------|-----------------------|
| 1 | 04921-KSK-670 | CRANKCASE COMP., R. | 001 | 0,00 | 4 693,35 |
| 2 | 04922-KSK-670 | CRANKCASE COMP., L. | 001 | 0,00 | 4 693,35 |
| 3 | 11191-KSK-670 | GASKET, CRANKCASE | 001 | 0,00 | 143,21 |
| 4 | 11211-ML3-910 | TUBE, BREATHER | 001 | 0,00 | 52,93 |
| 5 | 14100-KSK-671 | VALVE ASSY., REED | 001 | 0,00 | 1 794,82 |
| 7 | 14111-KSK-671 | REED VALVE ONLY, UPPER | 001 | 0,00 | 157,12 |
| 8 | 14112-KSK-671 | REED VALVE ONLY, LOWER | 001 | 0,00 | 56,20 |
| 9 | 14113-KSK-671 | SUB REED VALVE ONLY, UPPER | 001 | 0,00 | 74,71 |
| 10 | 14114-KSK-671 | SUB REED VALVE ONLY, LOWER | 001 | 0,00 | 74,71 |
| 11 | 14115-KSK-671 | SPACER, REED VALVE | 002 | 0,00 | 32,59 |
| 12 | 14121-KZ3-L31 | STOPPER, REED VALVE | 002 | 0,00 | 120,38 |
| 13 | 14132-KZ3-L20 | GASKET, REED VALVE | 001 | 0,00 | 41,90 |
| 14 | 16221-KSK-670 | INSULATOR, CARBURETOR | 001 | 0,00 | 329,68 |
| 15 | 16223-KA5-690 | BAND, INSULATOR | 001 | 0,00 | 71,83 |
| 16 | 22810-KS7-000 | LIFTER COMP., CLUTCH | 001 | 0,00 | 500,67 |
| 17 | 23521-KW3-000 | PLATE A, BEARING SETTING | 002 | 0,00 | 26,29 |
| 18 | 90004-GHB-660 | BOLT, FLANGE, 6X22 (NSHF) | 006 | 0,00 | 18,22 |
| 19 | 90015-KA3-711 | BOLT, SPECIAL, 12MM | 001 | 0,00 | 37,54 |
| 20 | 90601-KJ9-000 | CLIP, 4X50 | 001 | 0,00 | 11,72 |
| 21 | 91001-ML3-873 | BEARING, RADIAL BALL, 24X56X14 (NTN) | 001 | 0,00 | 110,27 |
| 22 | 91002-KZ3-L21 | BEARING, RADIAL BALL, 25X52X13.5 | 001 | 0,00 | 117,10 |
| 23 | 91003-KA4-771 | BEARING, BALL, 63/28-CS30 (KOYO) | 002 | 0,00 | 256,07 |
| 24 | 91004-KZ3-L11 | BEARING, RADIAL BALL, 6905U | 001 | 0,00 | 137,44 |
| 25 | 91012-KA3-710 | PLATE, COUNTERSHAFT BEARING | 002 | 0,00 | 31,93 |
| 26 | 91022-KA4-740 | BEARING, SHELL, 33X38X8 (NTN) | 001 | 0,00 | 105,15 |
| 27 | 91053-719-005 | BEARING, NEEDLE, 12X16X10 (NTN) | 002 | 0,00 | 216,47 |
| 28 | 91201-KA4-004 | OIL SEAL, 38X58X11 (NOK) | 001 | 0,00 | 98,98 |
| 29 | 91201-951-003 | OIL SEAL, 12X18X3 (ARAI) | 001 | 0,00 | 25,10 |
| 30 | 91203-KA4-771 | OIL SEAL, 14X22X5 (NOK) | 001 | 0,00 | 39,54 |
| 30 | 91203-KA4-772 | OIL SEAL, 14X22X5 (ARAI) | 001 | 0,00 | 38,23 |
| 31 | 91205-KZ3-861 | OIL SEAL, 20X37X7 | 001 | 0,00 | 105,15 |
| 32 | 91207-ML3-871 | OIL SEAL, 31X40X7 (ARAI) | 001 | 0,00 | 70,51 |
| 33 | 91301-KZ3-L20 | O-RING, 37.2X27 | 001 | 0,00 | 51,62 |
| 34 | 92900-100400B | BOLT, STUD, 10X40 | 004 | 0,00 | 10,79 |
| 35 | 93500-050250A | SCREW, PAN, 5X25 | 001 | 0,00 | 6,82 |
| 36 | 93600-060120A | SCREW, FLAT, 6X12 | 002 | 0,00 | 7,26 |
| 37 | 93892-0300808 | SCREW-WASHER, 3X8 | 008 | 0,00 | 4,02 |
| 38 | 94109-12000- | WASHER, DRAIN PLUG, 12MM | 001 | 0,00 | 6,09 |
| 39 | 94301-14200- | DOWEL PIN, 14X20 | 002 | 0,00 | 11,98 |
| 40 | 96001-0601400 | BOLT, FLANGE, 6X14 | 002 | 0,00 | 8,30 |
| 41 | 96001-0604000 | BOLT, FLANGE, 6X40 | 003 | 0,00 | 10,06 |
| 42 | 96001-0605000 | BOLT, FLANGE, 6X50 | 004 | 0,00 | 10,79 |
| 43 | 96001-0606000 | BOLT, FLANGE, 6X60 | 003 | 0,00 | 11,68 |
| 44 | 96001-0607500 | BOLT, FLANGE, 6X75 | 001 | 0,00 | 9,77 |
| 45 | 96001-0608000 | BOLT, FLANGE, 6X80 | 001 | 0,00 | 11,68 |
| 46 | 96100-6203000 | BEARING, RADIAL BALL, 6203 | 001 | 0,00 | 78,14 |
| 47 | 96140-6203000 | BEARING, RADIAL BALL, 6203U | 001 | 0,00 | 136,79 |
| 47 | 91001-KSK-671 | BEARING, RADIAL BALL, 6203U | 001 | 0,00 | 105,02 |

Block E-8 CRANKSHAFT



| Refnr | Part Number | Part Description | Unit Qty | Repair Qty | Price SEK (excl. VAT) |
|-------|---------------|-----------------------------------|----------|------------|--------------------------|
| 1 | 13011-KZ3-306 | RING SET, PISTON (STD.) (TEIKOKU) | 001 | 0,00 | 442,80 |
| 2 | 13101-KSK-670 | PISTON A | 001 | 0,00 | 701,05 |
| 2 | 13102-KSK-670 | PISTON B | 001 | 0,00 | 701,05 |
| 3 | 13111-KZ3-000 | PIN, PISTON | 001 | 0,00 | 137,96 |
| 4 | 13300-KSK-670 | CRANKSHAFT COMP. | 001 | 0,00 | 4 542,05 |
| 5 | 13331-360-000 | KEY, SPECIAL WOODRUFF, 25X14 | 001 | 0,00 | 23,66 |
| 6 | 90601-430-000 | CLIP, PISTON PIN, 1.2X18 | 002 | 0,00 | 8,70 |
| 7 | 91015-KZ3-003 | BEARING, CONNECTING ROD SMALL END | 001 | 0,00 | 133,63 |

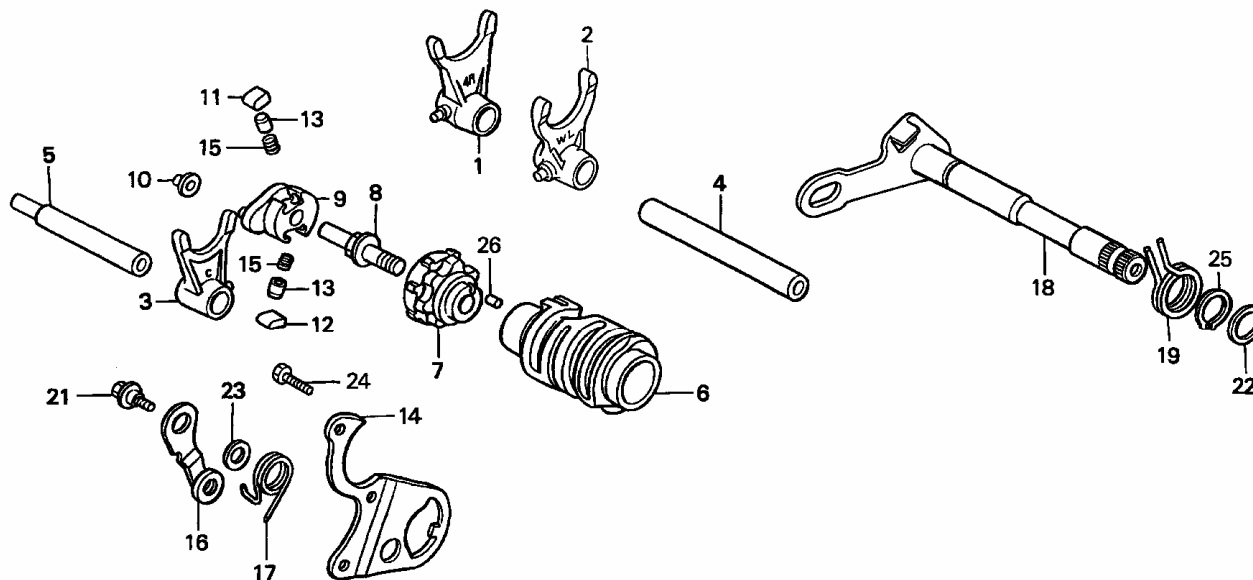
Block E-9 TRANSMISSION



KZ3A-E0900

| Refnr | Part Number | Part Description | Unit Qty | Repair Qty | Price SEK (excl. VAT) |
|-------|---------------|----------------------------------|----------|------------|-----------------------|
| 1 | 23210-KZ3-L20 | MAINSHAFT COMP. (15T) | 001 | 0,00 | 1 618,45 |
| 2 | 23221-KZ3-L20 | COUNTERSHAFT | 001 | 0,00 | 1 240,66 |
| 3 | 23225-ML3-680 | COLLAR, COUNTERSHAFT | 001 | 0,00 | 127,59 |
| 4 | 23411-KZ3-L30 | GEAR, COUNTERSHAFT LOW (27T) | 001 | 0,00 | 617,59 |
| 5 | 23412-KA4-740 | COLLAR, COUNTERSHAFT LOW GEAR | 001 | 0,00 | 80,09 |
| 6 | 23421-MEB-770 | GEAR, MAINSHAFT SECOND (17T) | 001 | 0,00 | 328,50 |
| 7 | 23431-KZ3-L30 | GEAR, COUNTERSHAFT SECOND (25T) | 001 | 0,00 | 617,59 |
| 8 | 23432-ML3-870 | COLLAR, COUNTERSHAFT SECOND GEAR | 001 | 0,00 | 78,51 |
| 9 | 23441-KZ3-L30 | GEAR, MAINSHAFT THIRD (19T) | 001 | 0,00 | 642,92 |
| 10 | 23451-KS7-830 | GEAR, COUNTERSHAFT THIRD (23T) | 001 | 0,00 | 734,39 |
| 11 | 23461-KZ3-L20 | GEAR, MAINSHAFT FOURTH (21T) | 001 | 0,00 | 600,14 |
| 12 | 23462-KZ3-L20 | COLLAR, MAINSHAFT FOURTH GEAR | 001 | 0,00 | 108,96 |
| 13 | 23471-KZ3-L20 | GEAR, COUNTERSHAFT FOURTH (21T) | 001 | 0,00 | 642,92 |
| 14 | 23481-KZ3-L20 | GEAR, MAINSHAFT FIFTH (23T) | 001 | 0,00 | 584,26 |
| 15 | 23491-KZ3-L20 | GEAR, COUNTERSHAFT FIFTH (20T) | 001 | 0,00 | 676,25 |
| 16 | 23802-KZ3-860 | SPROCKET, DRIVE (13T) | 001 | 0,00 | 220,76 |
| 17 | 90112-413-000 | BOLT, UBS, 8X33 | 001 | 0,00 | 38,84 |
| 18 | 90421-961-000 | WASHER, THRUST, 25MM | 001 | 0,00 | 49,77 |
| 19 | 90444-430-000 | WASHER, THRUST, 25.2X30 | 001 | 0,00 | 40,33 |
| 20 | 90445-ML3-871 | WASHER, THRUST, 24.1X36X1.5 | 001 | 0,00 | 29,96 |
| 21 | 90446-KA4-740 | WASHER, THRUST, 17.2MM | 001 | 0,00 | 41,64 |
| 22 | 90446-ML3-870 | WASHER, THRUST, 27.2X35 | 001 | 0,00 | 29,96 |
| 23 | 90446-357-000 | WASHER, THRUST, 17.2MM | 001 | 0,00 | 48,46 |
| 24 | 90451-KY2-000 | WASHER, SPLINE, 25X31X1.5 | 003 | 0,00 | 19,99 |
| 25 | 90501-KA3-741 | WASHER, SPRING, 8X40 | 001 | 0,00 | 51,22 |
| 26 | 90554-KA5-680 | WASHER, THRUST, 19MM | 001 | 0,00 | 26,95 |
| 27 | 90602-259-010 | CIRCLIP, EXTERNAL, 25MM | 003 | 0,00 | 20,65 |
| 28 | 91201-ML3-873 | D-RING, 23.75MM (ARAI) | 001 | 0,00 | 27,33 |

Block E-10 GEARSHIFT DRUM

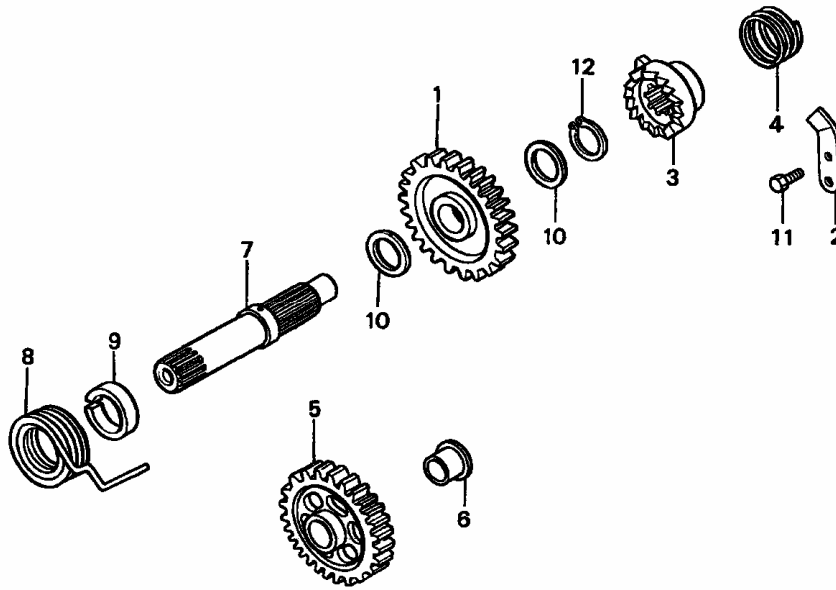


FR.

KZ3A-E1000A

| Refnr | Part Number | Part Description | Unit Qty | Repair Qty | Price SEK (excl. VAT) |
|-------|---------------|-------------------------------|----------|------------|--------------------------|
| 1 | 24211-KA4-770 | FORK, R. GEARSHIFT | 001 | 0,00 | 502,25 |
| 2 | 24221-KZ3-L20 | FORK, L. GEARSHIFT | 001 | 0,00 | 502,25 |
| 3 | 24231-KA4-771 | FORK, CENTER GEARSHIFT | 001 | 0,00 | 502,25 |
| 4 | 24242-MEB-770 | SHAFT B, GEARSHIFT FORK | 001 | 0,00 | 108,70 |
| 5 | 24266-KZ3-L20 | SHAFT C, SHIFT FORK | 001 | 0,00 | 175,62 |
| 6 | 24311-ML3-000 | DRUM, GEARSHIFT | 001 | 0,00 | 933,06 |
| 7 | 24312-KA3-741 | CENTER, GEARSHIFT DRUM | 001 | 0,00 | 351,20 |
| 8 | 24315-HA0-000 | PIN, SHIFTER | 001 | 0,00 | 68,28 |
| 9 | 24321-KZ3-891 | SHIFTER, GEARSHIFT DRUM | 001 | 0,00 | 371,93 |
| 10 | 24322-MM4-000 | COLLAR, SHIFTER | 001 | 0,00 | 21,43 |
| 11 | 24324-KA3-711 | PAWL A, RATCHET | 001 | 0,00 | 53,59 |
| 12 | 24325-KA3-711 | PAWL B, RATCHET | 001 | 0,00 | 53,59 |
| 13 | 24326-KBH-901 | PLUNGER, PAWL | 002 | 0,00 | 33,37 |
| 14 | 24328-KZ3-L30 | PLATE, GUIDE | 001 | 0,00 | 98,20 |
| 15 | 24329-KA3-740 | SPRING, PAWL PLUNGER | 002 | 0,00 | 16,18 |
| 16 | 24430-KA3-740 | STOPPER COMP., DRUM | 001 | 0,00 | 117,49 |
| 17 | 24435-KA4-770 | SPRING, SHIFT DRUM STOPPER | 001 | 0,00 | 27,86 |
| 18 | 24610-KZ3-L20 | SPINDLE COMP., GEARSHIFT | 001 | 0,00 | 664,18 |
| 19 | 24651-KZ3-860 | SPRING, GEARSHIFT RETURN | 001 | 0,00 | 32,98 |
| 21 | 90022-MG8-000 | PIVOT, SHIFT DRUM STOPPER ARM | 001 | 0,00 | 8,05 |
| 22 | 90435-HB3-000 | WASHER, 6.1MM | 001 | 0,00 | 21,82 |
| 23 | 90451-155-000 | WASHER, 14MM | 001 | 0,00 | 11,06 |
| 24 | 96300-0801800 | BOLT, FLANGE, 8X18 | 003 | 0,00 | 7,56 |
| 25 | 94510-14000- | CIRCLIP, EXTERNAL, 14MM | 001 | 0,00 | 4,90 |
| 26 | 96220-40080- | ROLLER, 4X8 | 001 | 0,00 | 4,90 |

Block E-11 KICK STARTER SPINDLE

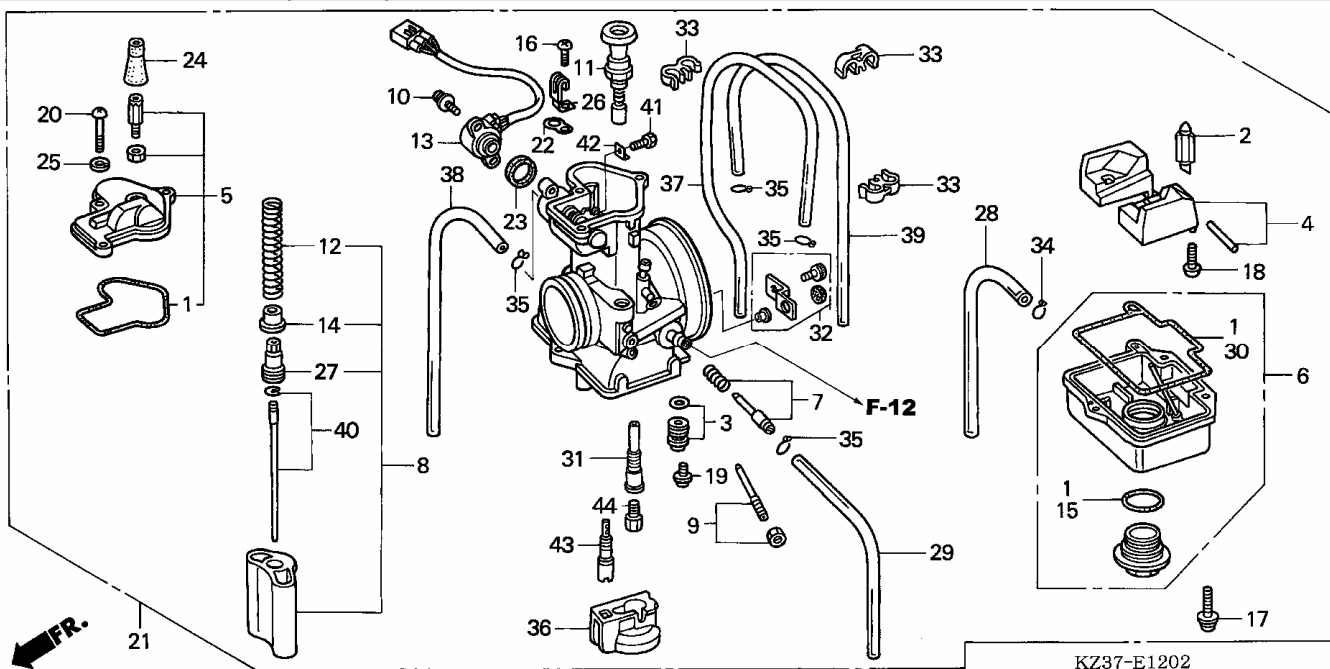


KZ3A-E1100



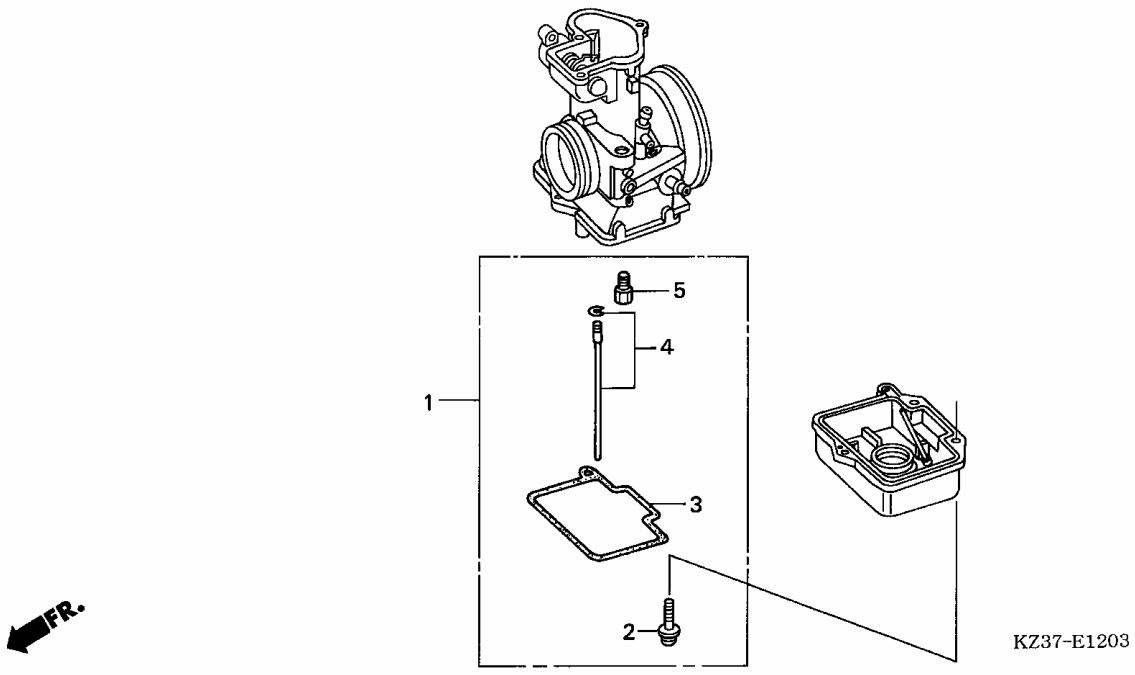
| Refnr | Part Number | Part Description | Unit Qty | Repair Qty | Price SEK (excl. VAT) |
|-------|---------------|-------------------------------|----------|------------|--------------------------|
| 1 | 28211-KZ3-A10 | PINION, KICK STARTER (27T) | 001 | 0,00 | 630,58 |
| 2 | 28215-KS7-830 | PLATE, KICK STOPPER | 001 | 0,00 | 44,26 |
| 3 | 28221-MEB-770 | RATCHET, KICK STARTER | 001 | 0,00 | 314,19 |
| 4 | 28223-KA4-740 | SPRING, KICK STARTER RATCHET | 001 | 0,00 | 24,72 |
| 5 | 28231-KZ3-L20 | GEAR, KICK STARTER IDLE (29T) | 001 | 0,00 | 247,14 |
| 6 | 28232-KZ3-L20 | COLLAR, STARTER IDLE GEAR | 001 | 0,00 | 49,90 |
| 7 | 28251-KZ3-690 | SPINDLE, KICK STARTER | 001 | 0,00 | 694,62 |
| 8 | 28261-KA4-741 | SPRING, KICK RETURN | 001 | 0,00 | 65,00 |
| 9 | 28282-KZ3-690 | COLLAR, KICK STARTER SPRING | 001 | 0,00 | 60,54 |
| 10 | 90554-728-940 | WASHER, THRUST, 20MM | 002 | 0,00 | 60,63 |
| 11 | 93301-060160A | BOLT, HEX., 6X16 | 001 | 0,00 | 4,90 |
| 12 | 94510-19000- | CIRCLIP, EXTERNAL, 19MM | 001 | 0,00 | 4,31 |

Block E-12-2 CARBURETOR (CR250R4)



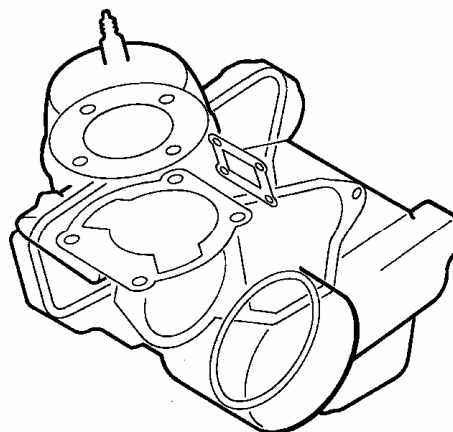
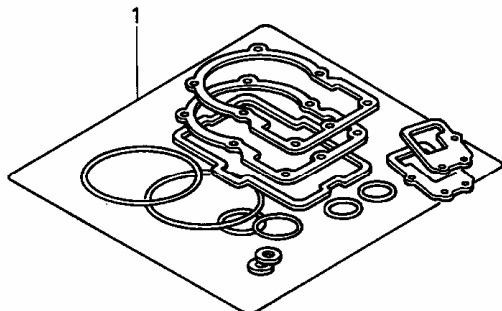
| Refnr | Part Number | Part Description | Unit Qty | Repair Qty | Price SEK (excl. VAT) |
|-------|---------------|-----------------------------|----------|------------|-----------------------|
| 1 | 16010-KSK-672 | GASKET SET | 001 | 0,00 | 183,63 |
| 2 | 16011-KZ4-A92 | VALVE SET, FLOAT | 001 | 0,00 | 305,93 |
| 3 | 16012-KZ4-A92 | VALVE SET, SEAT | 001 | 0,00 | 76,16 |
| 4 | 16013-KZ4-L22 | FLOAT SET | 001 | 0,00 | 341,36 |
| 5 | 16014-KSK-672 | TOP SET | 001 | 0,00 | 293,60 |
| 6 | 16015-KSK-672 | CHAMBER SET, FLOAT | 001 | 0,00 | 822,18 |
| 7 | 16016-KZ4-A92 | SCREW SET A (A/S) | 001 | 0,00 | 176,68 |
| 8 | 16022-KSK-672 | VALVE SET, THROTTLE | 001 | 0,00 | 775,58 |
| 9 | 16028-KZ4-A92 | SCREW SET B (TH/S) | 001 | 0,00 | 54,63 |
| 10 | 16041-KSK-672 | SCREW | 002 | 0,00 | 6,34 |
| 11 | 16046-KZ4-A92 | VALVE COMP., STARTER | 001 | 0,00 | 363,02 |
| 12 | 16050-KSK-672 | SPRING, COMPRESSION COIL | 001 | 0,00 | 111,06 |
| 13 | 16060-KSK-672 | SENSOR, THROTTLE | 001 | 0,00 | 1 411,51 |
| 14 | 16066-KZ4-A92 | COLLAR, SPRING SETTING | 001 | 0,00 | 18,28 |
| 15 | 16075-KZ4-L22 | O-RING | 001 | 0,00 | 37,44 |
| 16 | 16080-KSK-672 | SCREW | 001 | 0,00 | 6,34 |
| 17 | 16080-KZ4-L22 | SCREW-WASHER | 003 | 0,00 | 9,49 |
| 18 | 16081-KZ4-A92 | SCREW, PAN | 001 | 0,00 | 8,05 |
| 19 | 16082-KZ4-A92 | SCREW | 001 | 0,00 | 8,05 |
| 20 | 16083-KSK-673 | SCREW | 003 | 0,00 | 17,10 |
| 21 | 16100-KSK-673 | CARBURETOR ASSY. (TMX10A A) | 001 | 0,00 | 4 141,81 |
| 22 | 16106-KSK-672 | CLAMP, TUBE | 001 | 0,00 | 15,53 |
| 23 | 16118-KSK-672 | SEAL, DUST | 001 | 0,00 | 42,16 |
| 24 | 16118-KZ4-A92 | CAP, CABLE SEALING | 001 | 0,00 | 38,10 |
| 25 | 16132-KSK-672 | WASHER | 003 | 0,00 | 6,34 |
| 26 | 16134-KSK-672 | PLATE | 001 | 0,00 | 18,81 |
| 27 | 16137-KZ4-L22 | HOLDER, CABLE | 001 | 0,00 | 63,43 |
| 28 | 16143-KZ4-A92 | TUBE, OVERFLOW | 001 | 0,00 | 18,68 |
| 29 | 16144-KZ4-A92 | TUBE, AIR VENT | 001 | 0,00 | 20,78 |
| 30 | 16163-KZ4-L22 | GASKET, FLOAT CHAMBER | 001 | 0,00 | 135,08 |
| 31 | 16165-KZ4-L32 | HOLDER, JET | 001 | 0,00 | 191,89 |
| 32 | 16170-KZ4-L32 | FILTER SET | 001 | 0,00 | 110,80 |
| 33 | 16179-KZ4-A92 | BINDER | 003 | 0,00 | 42,69 |
| 34 | 16181-KZ4-A92 | CLIP, TUBE | 001 | 0,00 | 8,57 |
| 35 | 16182-KZ4-A92 | CLIP, TUBE | 004 | 0,00 | 8,57 |
| 36 | 16185-KZ4-L22 | PLATE, BUFFER | 001 | 0,00 | 64,60 |
| 37 | 16197-KZ4-L22 | TUBE, AIR VENT | 001 | 0,00 | 63,43 |
| 38 | 16198-KZ4-L22 | TUBE, AIR VENT | 001 | 0,00 | 53,84 |
| 39 | 16199-KZ4-A92 | TUBE, AIR VENT | 001 | 0,00 | 27,86 |
| 40 | 16204-KSK-672 | NEEDLE SET, JET (6CHY12-82) | 001 | 0,00 | 136,38 |
| 41 | 16544-KSK-672 | SCREW | 001 | 0,00 | 13,69 |
| 42 | 16732-KSK-672 | PLATE | 001 | 0,00 | 18,81 |
| 43 | 99133-KZ3-032 | JET, SLOW, #32.5 | 001 | 0,00 | 80,65 |
| 43 | 99133-KZ4-027 | JET, SLOW, #27.5 | (1) | 0,00 | 90,37 |
| 43 | 99133-KZ3-030 | JET, SLOW, #30 | (1) | 0,00 | 80,65 |
| 43 | 99133-KZ3-035 | JET, SLOW, #35 | (1) | 0,00 | 80,65 |
| 43 | 99133-KZ3-037 | JET, SLOW, #37.5 | (1) | 0,00 | 80,65 |
| 43 | 99133-KZ3-040 | JET, SLOW, #40 | (1) | 0,00 | 80,65 |
| 43 | 99133-KZ4-045 | JET, SLOW, #45 | (1) | 0,00 | 90,37 |
| 44 | 99143-KZ4-420 | JET, MAIN, #420 | 001 | 0,00 | 99,07 |

Block E-12-3 CARBURETOR OPTIONAL PARTS KIT (CR250R4)



| Refnr | Part Number | Part Description | Unit Qty | Repair Qty | Price SEK (excl. VAT) |
|-------|---------------|--------------------------------|----------|------------|-----------------------|
| 1 | 16020-KSK-672 | PARTS KIT, CARBURETOR OPTIONAL | (1) | 0,00 | 3 244,74 |
| 2 | 16080-KZ4-L22 | SCREW-WASHER | (3) | 0,00 | 9,49 |
| 3 | 16163-KZ4-L22 | GASKET, FLOAT CHAMBER | (5) | 0,00 | 135,08 |
| 4 | 16201-KSK-672 | NEEDLE SET, JET (6CHY12-79) | (1) | 0,00 | 136,38 |
| 4 | 16202-KSK-672 | NEEDLE SET, JET (6CHY12-80) | (1) | 0,00 | 136,38 |
| 4 | 16203-KSK-672 | NEEDLE SET, JET (6CHY12-81) | (1) | 0,00 | 136,38 |
| 4 | 16205-KSK-672 | NEEDLE SET, JET (6CHY12-83) | (1) | 0,00 | 136,38 |
| 4 | 16206-KSK-672 | NEEDLE SET, JET (6CHY12-84) | (1) | 0,00 | 136,38 |
| 4 | 16207-KSK-672 | NEEDLE SET, JET (6CHY12-85) | (1) | 0,00 | 136,38 |
| 4 | 16230-KSK-672 | NEEDLE SET, JET (6CHY13-79) | (1) | 0,00 | 136,38 |
| 4 | 16231-KSK-672 | NEEDLE SET, JET (6CHY13-80) | (1) | 0,00 | 136,38 |
| 4 | 16232-KSK-672 | NEEDLE SET, JET (6CHY13-81) | (1) | 0,00 | 136,38 |
| 4 | 16233-KSK-672 | NEEDLE SET, JET (6CHY13-82) | (1) | 0,00 | 136,38 |
| 4 | 16234-KSK-672 | NEEDLE SET, JET (6CHY13-83) | (1) | 0,00 | 136,38 |
| 4 | 16235-KSK-672 | NEEDLE SET, JET (6CHY13-84) | (1) | 0,00 | 136,38 |
| 4 | 16236-KSK-672 | NEEDLE SET, JET (6CHY13-85) | (1) | 0,00 | 136,38 |
| 5 | 99143-KZ4-360 | JET, MAIN, #360 | (1) | 0,00 | 99,07 |
| 5 | 99143-KZ4-370 | JET, MAIN, #370 | (1) | 0,00 | 99,07 |
| 5 | 99143-KZ4-380 | JET, MAIN, #380 | (1) | 0,00 | 99,07 |
| 5 | 99143-KZ4-390 | JET, MAIN, #390 | (1) | 0,00 | 99,07 |
| 5 | 99143-KZ4-400 | JET, MAIN, #400 | (1) | 0,00 | 99,07 |
| 5 | 99143-KZ4-410 | JET, MAIN, #410 | (1) | 0,00 | 99,07 |
| 5 | 99143-KZ3-430 | JET, MAIN, #430 | (1) | 0,00 | 82,27 |
| 5 | 99143-KZ3-440 | JET, MAIN, #440 | (1) | 0,00 | 82,27 |
| 5 | 99143-KZ3-450 | JET, MAIN, #450 | (1) | 0,00 | 82,27 |
| 5 | 99143-KZ3-460 | JET, MAIN, #460 | (1) | 0,00 | 82,27 |
| 5 | 99143-KZ3-470 | JET, MAIN, #470 | (1) | 0,00 | 82,27 |
| 5 | 99143-KZ3-480 | JET, MAIN, #480 | (1) | 0,00 | 82,27 |

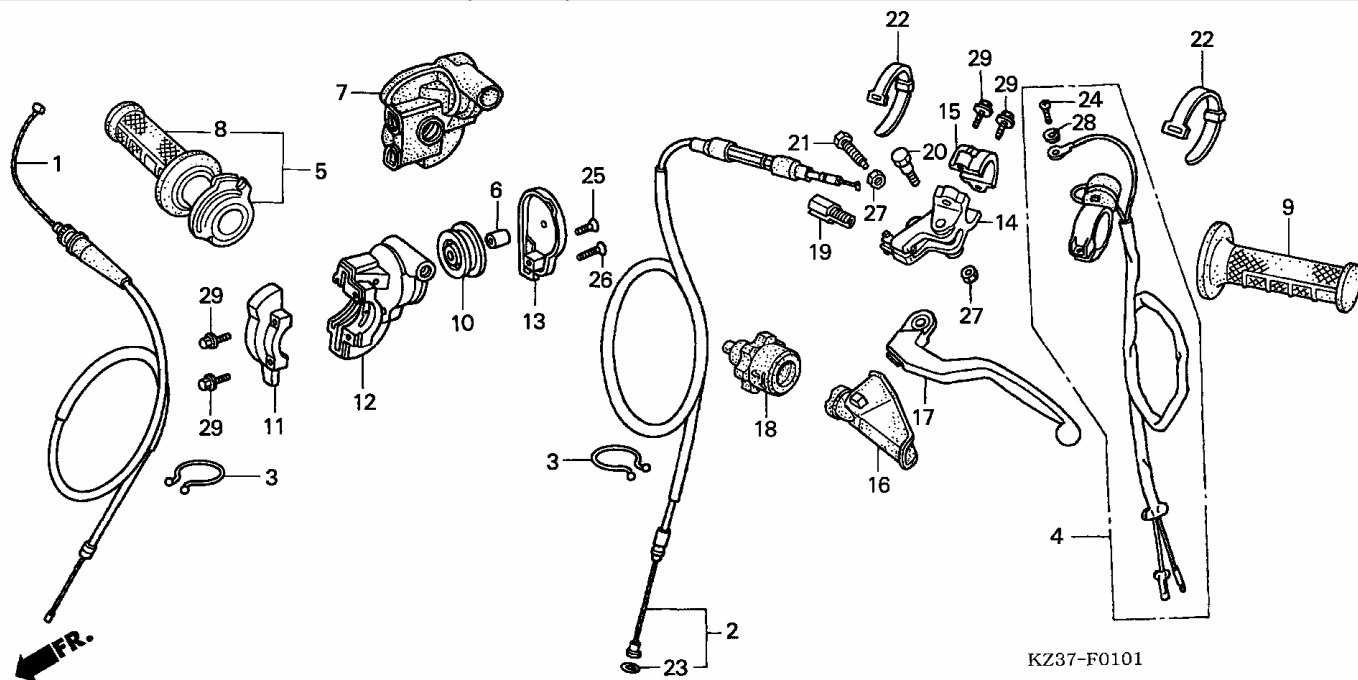
Block EOP-1 GASKET KIT



ENG3- X0003A

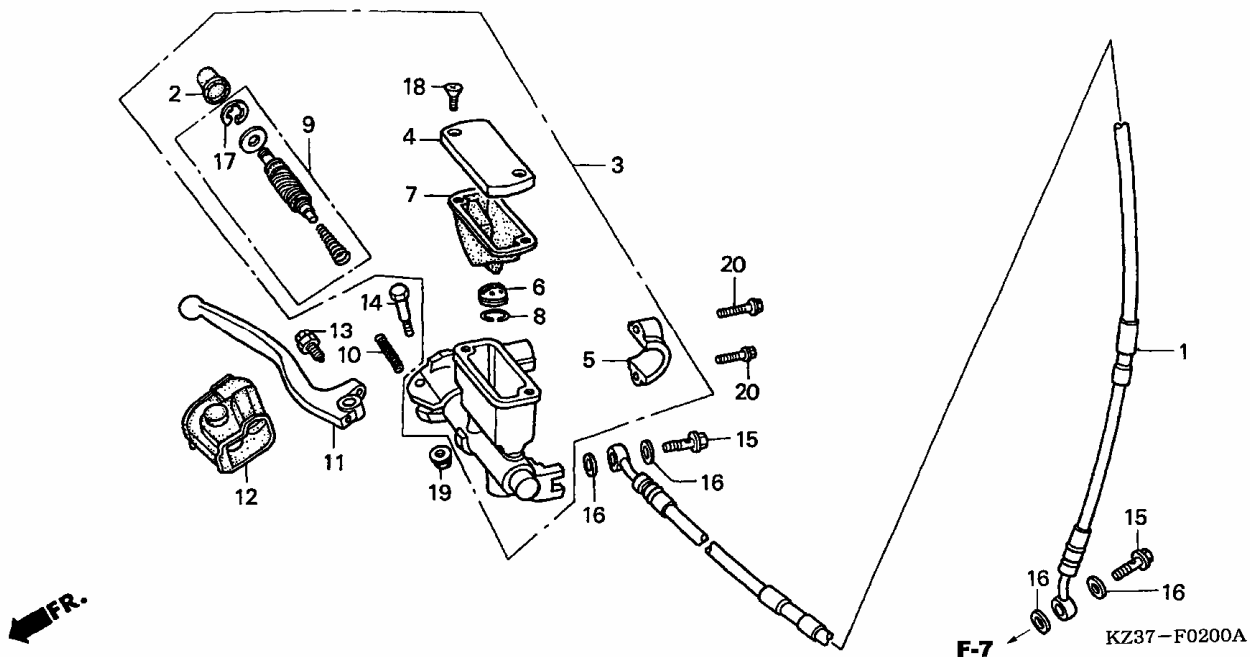
| Refnr | Part Number | Part Description | Unit Qty | Repair Qty | Price SEK (excl. VAT) |
|-------|---------------|----------------------------------|----------|------------|--------------------------|
| 1 | 06111-KSK-670 | GASKET KIT (COMPONENT PARTS) | 001 | 0,00 | 993,82 |
| 1 | 11191-KSK-670 | GASKET, CRANKCASE | 001 | 0,00 | 143,21 |
| 1 | 11352-KZ3-L20 | GASKET, L. COVER | 001 | 0,00 | 43,48 |
| 1 | 11395-KZ3-L20 | GASKET, R. CRANKCASE COVER | 001 | 0,00 | 103,18 |
| 1 | 12111-KZ3-L20 | GASKET, CYLINDER L. SIDE | 001 | 0,00 | 52,66 |
| 1 | 12191-KZ3-L20 | GASKET, CYLINDER | 001 | 0,00 | 63,95 |
| 1 | 12254-KZ3-L21 | GASKET, CYLINDER HEAD | 001 | 0,00 | 191,63 |
| 1 | 14132-KZ3-L20 | GASKET, REED VALVE | 001 | 0,00 | 41,90 |
| 1 | 18291-KSK-671 | GASKET, EX. JOINT | 001 | 0,00 | 45,19 |
| 1 | 18365-KA4-730 | RUBBER, SILENCER CONNECTING PIPE | 001 | 0,00 | 121,82 |
| 1 | 19229-KZ3-L20 | GASKET, WATER PUMP | 002 | 0,00 | 25,37 |
| 1 | 90447-KE1-000 | WASHER, SEALING, 7MM | 002 | 0,00 | 18,68 |
| 1 | 90463-ML7-000 | WASHER, SEALING, 6.5MM | 002 | 0,00 | 24,98 |
| 1 | 91201-ML3-873 | D-RING, 23.75MM (ARAI) | 001 | 0,00 | 27,33 |
| 1 | 91211-KA3-761 | SEAL, WATER PUMP (NOK) | 001 | 0,00 | 48,20 |
| 1 | 91301-KZ3-L20 | O-RING, 37.2X27 | 001 | 0,00 | 51,62 |
| 1 | 91302-KZ3-L20 | SEAL, EX. JOINT | 001 | 0,00 | 76,28 |
| 1 | 91307-035-000 | O-RING, 18X3 | 001 | 0,00 | 12,38 |
| 1 | 91311-KZ3-L21 | O-RING, SPECIAL | 001 | 0,00 | 74,71 |
| 1 | 94109-12000- | WASHER, DRAIN PLUG, 12MM | 001 | 0,00 | 6,09 |

Block F-1-1 HANDLE LEVER/SWITCH/CABLE (CR250R4)



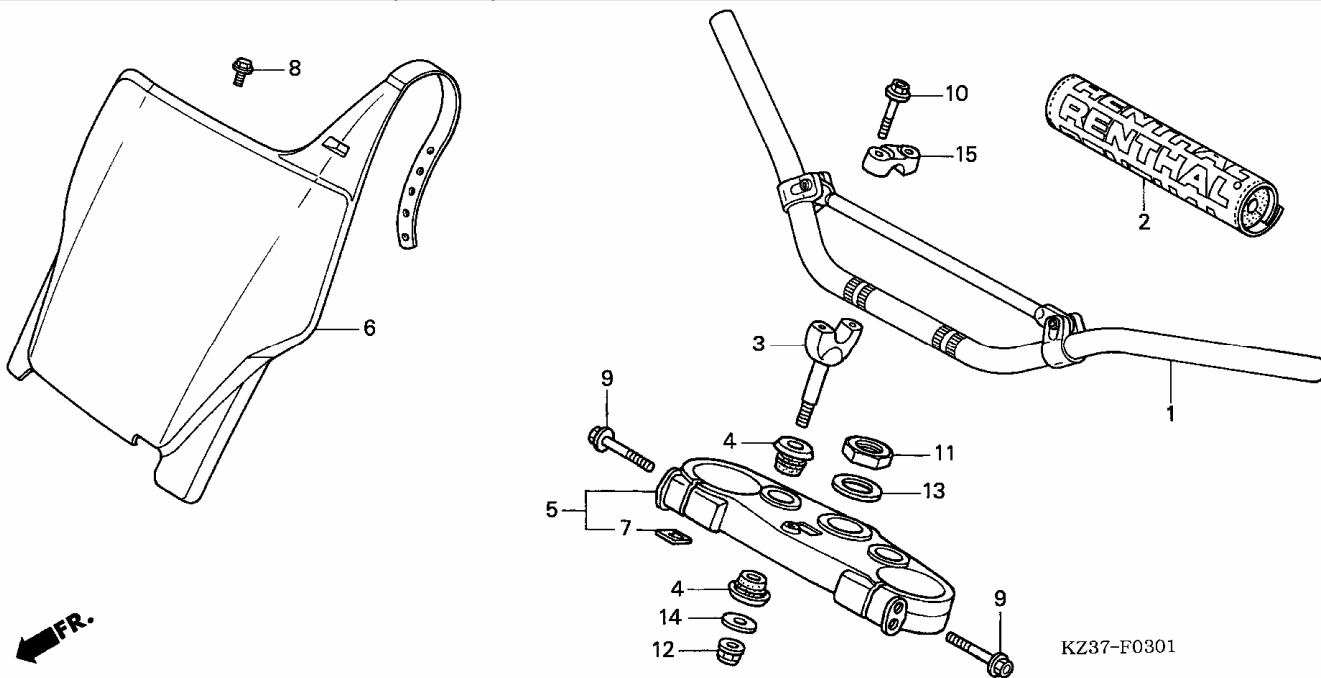
| Refnr | Part Number | Part Description | Unit Qty | Repair Qty | Price SEK (excl. VAT) |
|-------|---------------|------------------------------|----------|------------|-----------------------|
| 1 | 17910-KZ3-J41 | CABLE COMP., THROTTLE | 001 | 0,00 | 233,36 |
| 2 | 22870-KSK-030 | CABLE COMP., CLUTCH | 001 | 0,00 | 288,08 |
| 3 | 32171-GF9-621 | LOCK, PURSE | 002 | 0,00 | 20,65 |
| 4 | 35130-KSK-670 | SWITCH ASSY., KILL | 001 | 0,00 | 273,91 |
| 5 | 53140-KZ4-J30 | GRIP COMP., THROTTLE | 001 | 0,00 | 157,51 |
| 6 | 53163-MAC-670 | COLLAR B, HOUSING | 001 | 0,00 | 28,52 |
| 7 | 53164-MAC-680 | COVER, THROTTLE HOUSING | 001 | 0,00 | 154,49 |
| 8 | 53165-GBF-J60 | GRIP, R. HANDLE | 001 | 0,00 | 96,10 |
| 9 | 53166-GBF-J60 | GRIP, L. HANDLE | 001 | 0,00 | 96,10 |
| 10 | 53166-ML3-600 | ROLLER, THROTTLE CABLE | 001 | 0,00 | 55,03 |
| 11 | 53167-KZ4-J00 | HOUSING A, GRIP | 001 | 0,00 | 203,57 |
| 12 | 53168-KZ4-J00 | HOUSING B, GRIP | 001 | 0,00 | 223,91 |
| 13 | 53169-KZ4-J00 | COVER B, HOUSING | 001 | 0,00 | 95,71 |
| 14 | 53172-KSK-670 | BRACKET, L. HANDLE LEVER | 001 | 0,00 | 283,49 |
| 15 | 53174-KCE-670 | HOLDER, L. LEVER BRACKET | 001 | 0,00 | 108,70 |
| 16 | 53177-KSK-670 | COVER, L. HANDLE LEVER | 001 | 0,00 | 72,87 |
| 17 | 53178-MEN-670 | LEVER, L. STEERING HANDLE | 001 | 0,00 | 181,92 |
| 18 | 53179-MEN-671 | DIAL, CLUTCH CABLE ADJUSTING | 001 | 0,00 | 92,69 |
| 19 | 53192-MEN-670 | BOLT, WIRE ADJUSTING | 001 | 0,00 | 93,95 |
| 20 | 90113-429-770 | BOLT, HANDLE LEVER PIVOT | 001 | 0,00 | 50,09 |
| 21 | 90118-MEN-670 | BOLT, LEVER PIVOT | 001 | 0,00 | 23,40 |
| 22 | 90650-KV6-003 | BAND, WIRE | 002 | 0,00 | 29,17 |
| 23 | 91357-KA4-004 | O-RING, 5.8X1.9 | 001 | 0,00 | 22,35 |
| 24 | 93500-040121A | SCREW, PAN, 4X12 | 001 | 0,00 | 6,09 |
| 25 | 93700-040200A | SCREW, OVAL, 4X20 | 001 | 0,00 | 4,02 |
| 26 | 93700-040250A | SCREW, OVAL, 4X25 | 001 | 0,00 | 3,58 |
| 27 | 94001-060000S | NUT, HEX., 6MM | 002 | 0,00 | 5,35 |
| 28 | 94111-04000- | WASHER, SPRING, 4MM | 001 | 0,00 | 6,09 |
| 29 | 96001-0602200 | BOLT, FLANGE, 6X22 | 004 | 0,00 | 7,56 |

Block F-2 FR. BRAKE MASTER CYLINDER



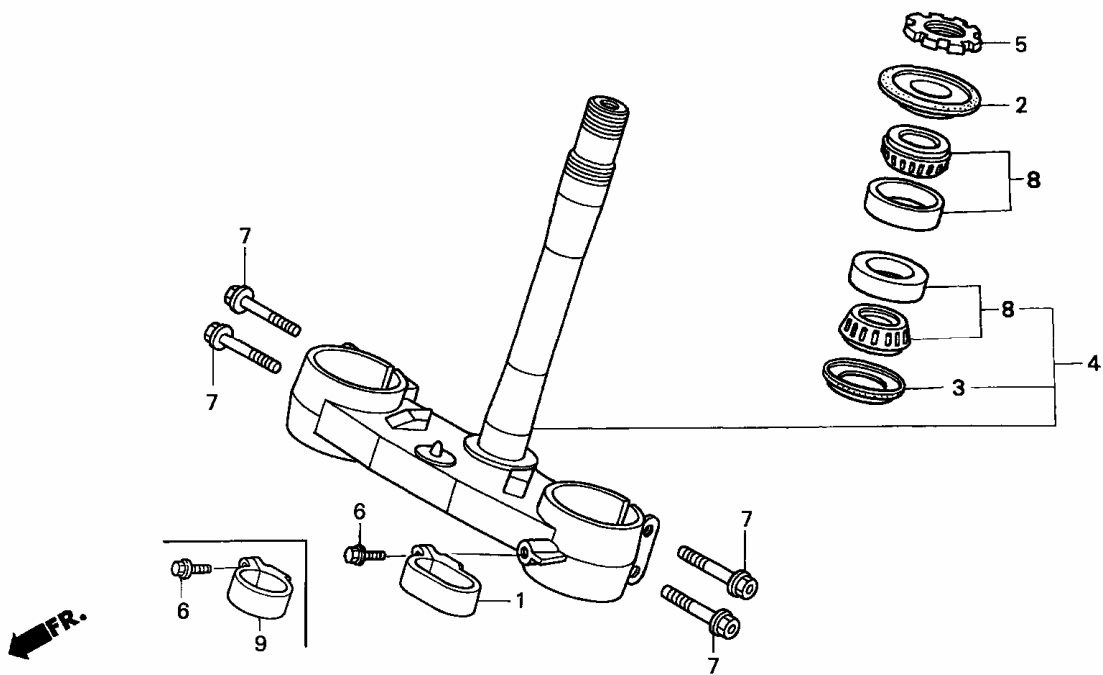
| Refnr | Part Number | Part Description | Unit Qty | Repair Qty | Price SEK (excl. VAT) |
|-------|---------------|---|----------|------------|-----------------------|
| 1 | 45125-MEN-003 | HOSE COMP., FR. BRAKE | 001 | 0,00 | 1 263,62 |
| 2 | 45504-KN5-006 | BOOT COMP. | 001 | 0,00 | 52,93 |
| 3 | 45510-KCE-671 | CYLINDER SUB ASSY., FR. BRAKE MASTER (NISSIN) | 001 | 0,00 | 2 070,00 |
| 4 | 45513-KCE-671 | CAP, MASTER CYLINDER | 001 | 0,00 | 136,12 |
| 5 | 45517-GW0-751 | HOLDER, MASTER CYLINDER | 001 | 0,00 | 90,98 |
| 6 | 45518-KA3-731 | SEPARATOR COMP. | 001 | 0,00 | 63,95 |
| 7 | 45520-KA3-731 | DIAPHRAGM | 001 | 0,00 | 61,59 |
| 8 | 45523-KA3-731 | RING | 001 | 0,00 | 14,35 |
| 9 | 45530-KCE-671 | PISTON SET, MASTER CYLINDER | 001 | 0,00 | 400,54 |
| 10 | 53174-KN5-006 | SPRING, BRAKE LEVER | 001 | 0,00 | 17,23 |
| 11 | 53175-KCE-670 | LEVER, R. STEERING HANDLE | 001 | 0,00 | 137,18 |
| 12 | 53176-ML3-791 | COVER, R. HANDLE LEVER | 001 | 0,00 | 56,34 |
| 13 | 90111-ML3-791 | BOLT SET, ADJUSTER | 001 | 0,00 | 38,84 |
| 14 | 90114-166-006 | BOLT, HANDLE LEVER PIVOT | 001 | 0,00 | 38,29 |
| 15 | 90145-MS9-612 | BOLT, OIL, 10X22 | 002 | 0,00 | 61,46 |
| 16 | 90545-300-000 | WASHER, OIL BOLT | 004 | 0,00 | 16,18 |
| 17 | 90651-MA5-671 | CIRCLIP | 001 | 0,00 | 12,12 |
| 18 | 93600-040121G | SCREW, FLAT, 4X12 | 002 | 0,00 | 4,02 |
| 19 | 94050-06000- | NUT, FLANGE, 6MM | 001 | 0,00 | 6,82 |
| 20 | 96001-0602200 | BOLT, FLANGE, 6X22 | 002 | 0,00 | 7,56 |

Block F-3-1 HANDLE PIPE/TOP BRIDGE (CR250R4)



| Refnr | Part Number | Part Description | Unit Qty | Repair Qty | Price SEK (excl. VAT) |
|-------|---------------|------------------------------|----------|------------|-----------------------|
| 1 | 53100-MEN-670 | PIPE, STEERING HANDLE | 001 | 0,00 | 1 252,73 |
| 2 | 53121-MEN-670 | PROTECTOR, HANDLE | 001 | 0,00 | 343,59 |
| 3 | 53132-KA3-831 | HOLDER, HANDLE UNDER | 002 | 0,00 | 217,49 |
| 3 | 53132-KZ4-J20 | HOLDER, HANDLE UNDER | (2) | 0,00 | 165,78 |
| 4 | 53133-KA3-832 | CUSHION, HANDLE PIPE | 004 | 0,00 | 26,29 |
| 5 | 53300-MEN-000 | BRIDGE COMP., FORK TOP | 001 | 0,00 | 1 425,81 |
| 6 | 61136-MEN-670 | PLATE, FR. NUMBER *NH196* | 001 | 0,00 | 408,94 |
| 7 | 86150-KPG-901 | EMBLEM, PRODUCT | 001 | 0,00 | 19,46 |
| 8 | 90004-GHB-600 | BOLT, FLANGE, 6X10 (NSHF) | 001 | 0,00 | 33,22 |
| 9 | 90107-KZ4-J40 | BOLT, FLANGE, 8X45 | 004 | 0,00 | 34,72 |
| 10 | 90124-KZ4-J40 | BOLT, FLANGE, 8X35 | 004 | 0,00 | 37,54 |
| 11 | 90304-KZ4-J30 | NUT, STEERING STEM | 001 | 0,00 | 56,60 |
| 12 | 90306-KZ4-711 | NUT, U, 10MM | 002 | 0,00 | 19,59 |
| 13 | 90503-KZ4-J40 | WASHER, STEERING STEM | 001 | 0,00 | 16,05 |
| 14 | 90507-KA3-830 | WASHER, PLAIN, 10MM | 002 | 0,00 | 12,77 |
| 15 | 95014-22100- | HOLDER B1, HANDLE PIPE UPPER | 002 | 0,00 | 108,80 |

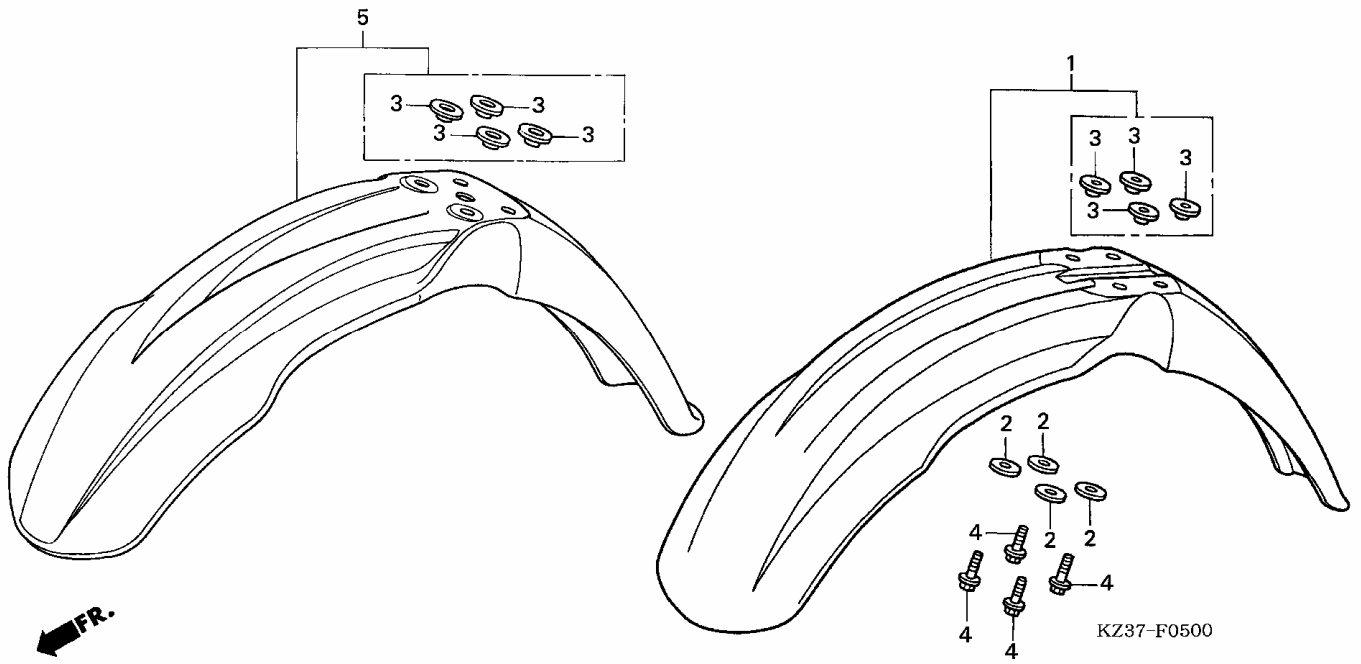
Block F-4 STEERING STEM



KZ3A-F0400A

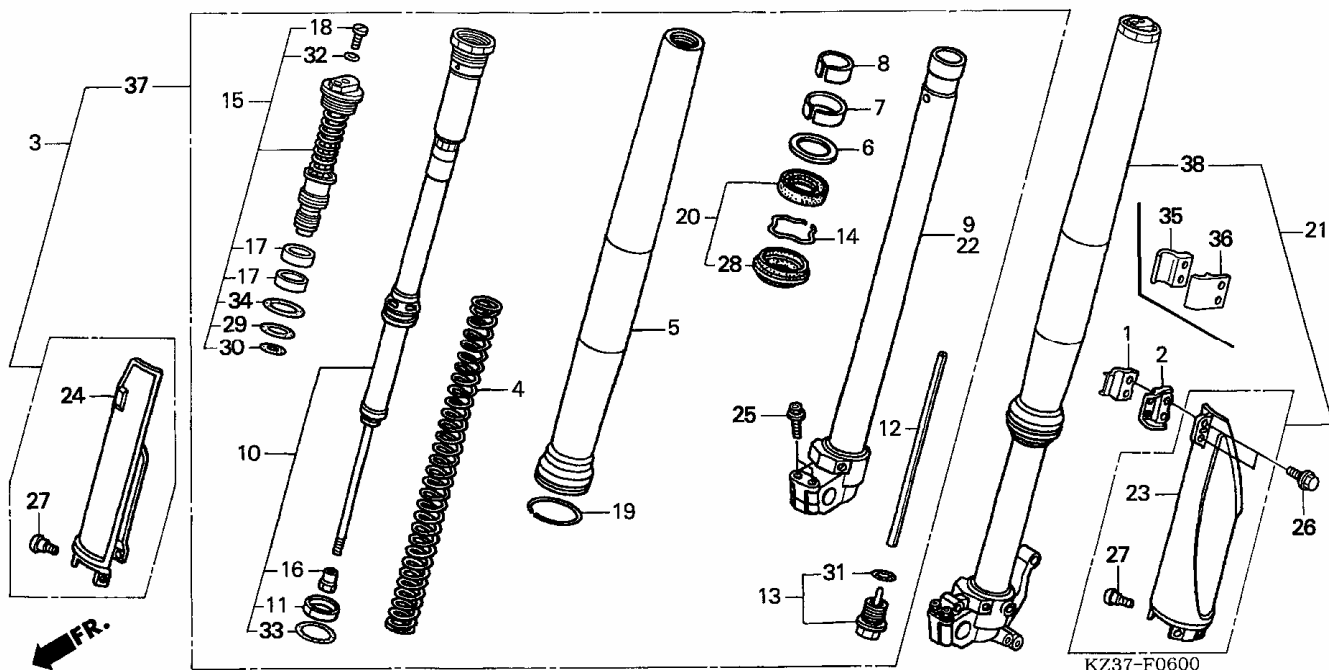
| Refnr | Part Number | Part Description | Unit Qty | Repair Qty | Price SEK (excl. VAT) |
|-------|---------------|---------------------------------|----------|------------|-----------------------|
| 2 | 53214-KZ3-861 | DUST SEAL, STEERING HEAD (ARAI) | 001 | 0,00 | 48,66 |
| 3 | 53214-KZ4-701 | DUST SEAL, STEERING HEAD (ARAI) | 001 | 0,00 | 47,73 |
| 4 | 53219-MEN-000 | STEM SUB ASSY., STEERING | 001 | 0,00 | 3 837,62 |
| 5 | 53229-KZ4-J30 | THREAD, STEERING HEAD TOP | 001 | 0,00 | 85,87 |
| 6 | 90106-MJ0-000 | BOLT, FLANGE, 6X16 | 001 | 0,00 | 21,03 |
| 7 | 90107-KZ4-J40 | BOLT, FLANGE, 8X45 | 004 | 0,00 | 34,72 |
| 8 | 91015-KZ4-701 | BEARING, HEAD PIPE (NTN) | 002 | 0,00 | 265,57 |
| 9 | 45468-KS7-830 | GUIDE, FR. BRAKE HOSE | 001 | 0,00 | 96,10 |

Block F-5 FRONT FENDER



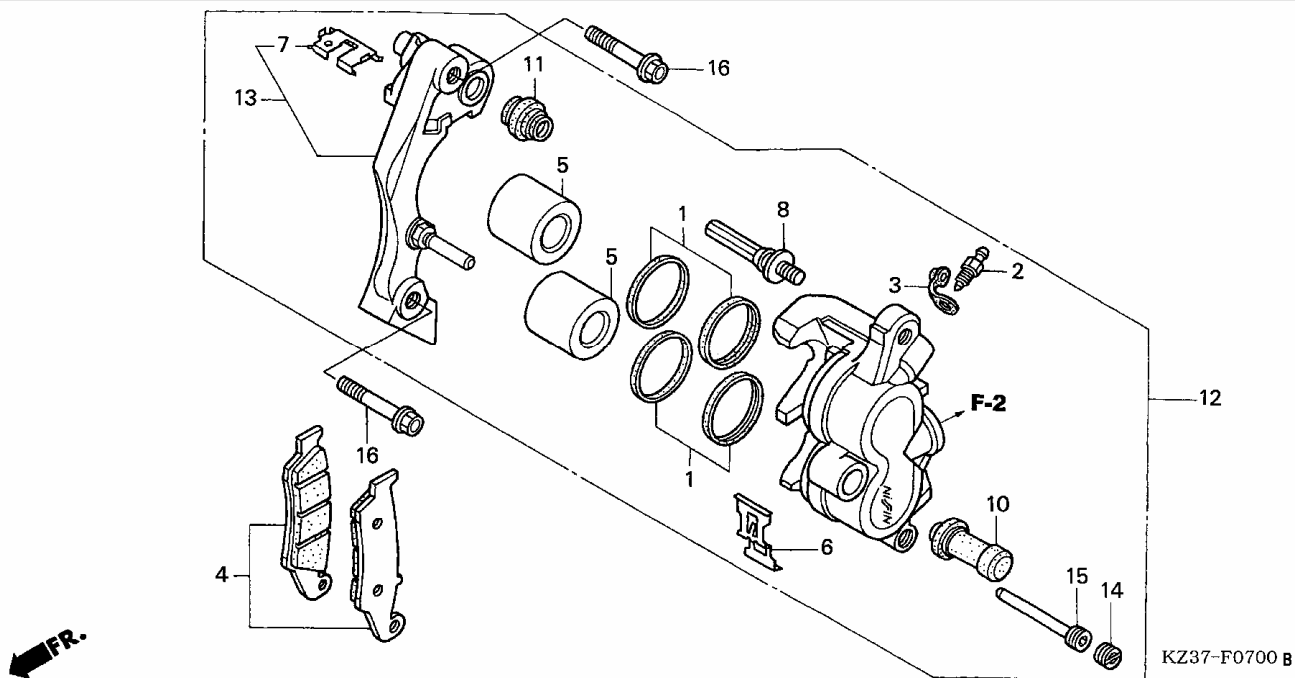
| Refnr | Part Number | Part Description | Unit Qty | Repair Qty | Price SEK (excl. VAT) |
|-------|---------------|-------------------------|----------|------------|--------------------------|
| 2 | 90506-430-000 | WASHER, FENDER MOUNTING | 004 | 0,00 | 28,52 |
| 3 | 90512-KZ4-J20 | COLLAR, FR. FENDER | 004 | 0,00 | 36,79 |
| 4 | 96001-0601600 | BOLT, FLANGE, 6X16 | 004 | 0,00 | 6,09 |
| 5 | 61110-MEN-670 | FENDER SUB ASSY., FR. | 001 | 0,00 | 797,51 |

Block F-6 FRONT FORK



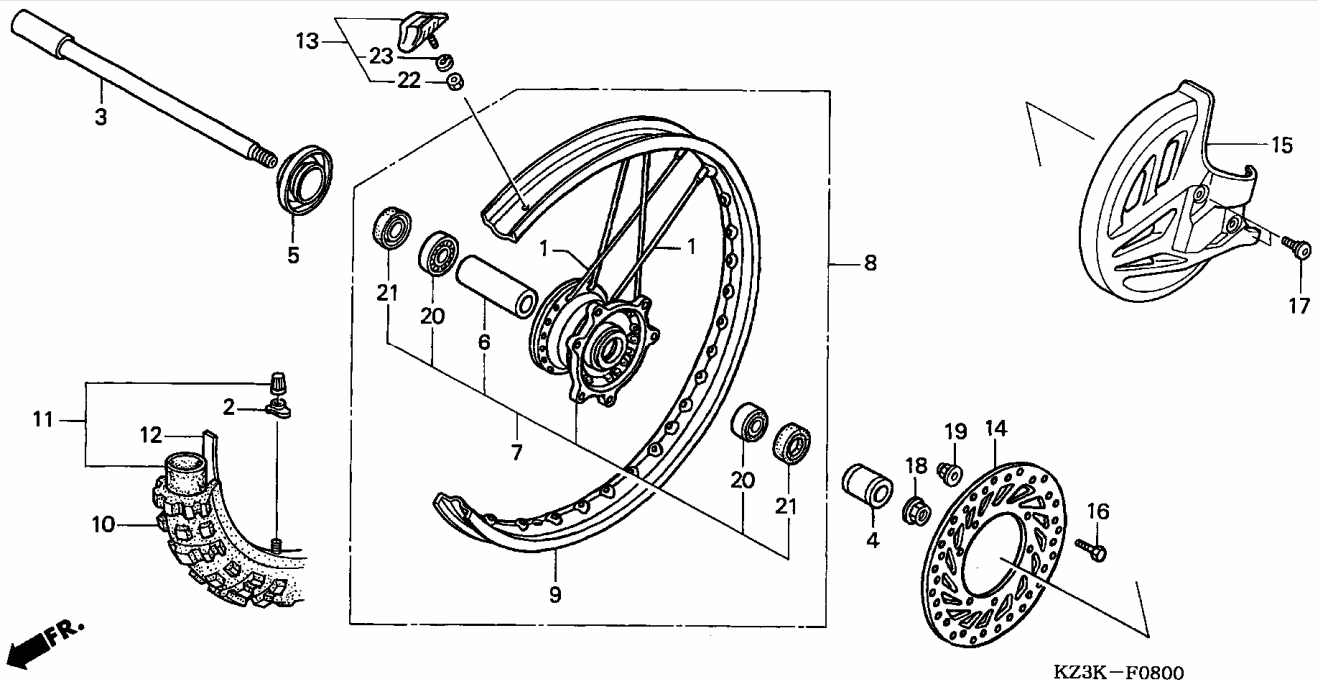
| Refnr | Part Number | Part Description | Unit Qty | Repair Qty | Price SEK (excl. VAT) |
|-------|---------------|--|----------|------------|-----------------------|
| 4 | 51401-KZ3-J41 | SPRING, FR. FORK (SHOWA) (4.31N/MM,0.44KGF/MM) | 002 | 0,00 | 576,13 |
| 4 | 51402-KZ3-J41 | SPRING, FR. FORK (SHOWA) (4.12N/MM,0.42KGF/MM) | (2) | 0,00 | 576,13 |
| 4 | 51403-KZ3-J41 | SPRING, FR. FORK (SHOWA) (4.51N/MM,0.46KGF/MM) | (2) | 0,00 | 576,13 |
| 5 | 51410-MEN-003 | TUBE, OUTER | 002 | 0,00 | 3 431,74 |
| 6 | 51412-KZ3-B01 | RING, BACK UP | 002 | 0,00 | 44,66 |
| 7 | 51414-KZ3-B01 | BUSH, GUIDE | 002 | 0,00 | 96,36 |
| 8 | 51415-KZ3-B01 | BUSH, SLIDER | 002 | 0,00 | 96,36 |
| 9 | 51420-KSK-003 | PIPE COMP., R. SLIDE | 001 | 0,00 | 3 362,72 |
| 10 | 51430-MEN-003 | DAMPER COMP., FR. | 002 | 0,00 | 2 812,48 |
| 11 | 51431-KZ3-B01 | BUSH B, SLIDER | 002 | 0,00 | 105,81 |
| 12 | 51437-KZ3-J41 | COLLAR, REBOUND NEEDLE | 002 | 0,00 | 86,78 |
| 13 | 51440-MEN-003 | BOLT COMP., CENTER | 002 | 0,00 | 215,91 |
| 14 | 51447-KZ3-003 | RING, OIL SEAL STOPPER | 002 | 0,00 | 28,52 |
| 15 | 51450-KSK-003 | BOLT ASSY., FR. FORK | 002 | 0,00 | 585,70 |
| 16 | 51451-KZ3-B01 | NUT, LOCK | 002 | 0,00 | 62,77 |
| 17 | 51453-KZ3-B01 | BUSH C, SLIDER | 004 | 0,00 | 38,62 |
| 18 | 51456-KZ3-J41 | BOLT, PLUG | 002 | 0,00 | 50,30 |
| 19 | 51476-KZ3-711 | RING, WEAR | 002 | 0,00 | 26,95 |
| 20 | 51490-MEN-003 | SEAL SET, FR. FORK | 002 | 0,00 | 239,40 |
| 22 | 51520-KSK-003 | PIPE COMP., L. SLIDE | 001 | 0,00 | 3 362,72 |
| 23 | 51620-MEN-000 | PROTECTOR, L. FR. FORK *TNATURAL* | 001 | 0,00 | 347,66 |
| 24 | 51610-MEN-000 | PROTECTOR, R. FR. FORK *TNATURAL* | 001 | 0,00 | 347,66 |
| 25 | 90108-KZ4-J40 | BOLT, FLANGE, 8X40 | 004 | 0,00 | 34,72 |
| 26 | 90113-KZ3-000 | BOLT, FLANGE, 6MM | 002 | 0,00 | 25,16 |
| 27 | 90113-MAC-780 | BOLT, PROTECTOR | 006 | 0,00 | 21,03 |
| 28 | 91254-KZ3-J31 | DUST SEAL | 002 | 0,00 | 103,84 |
| 29 | 91256-KZ3-A71 | O-RING, 26.7X3.5 | 002 | 0,00 | 26,29 |
| 30 | 91257-MEB-751 | O-RING, 27.7X1.9 | 002 | 0,00 | 26,29 |
| 31 | 91258-KZ3-B01 | O-RING, 18.8X1.9 | 002 | 0,00 | 15,53 |
| 32 | 91301-KZ3-711 | O-RING, 3.5X1.5 | 002 | 0,00 | 8,05 |
| 33 | 91356-KZ3-003 | O-RING, 44.7X2.4 | 002 | 0,00 | 29,70 |
| 34 | 91356-MW0-003 | O-RING, 37.2X2.4 (SHOWA) | 002 | 0,00 | 18,28 |
| 35 | 45461-MEN-000 | CLAMPER A, FR. BRAKE HOSE | 001 | 0,00 | 53,06 |
| 36 | 45462-MEN-000 | CLAMPER B, FR. BRAKE HOSE | 001 | 0,00 | 39,15 |
| 37 | 51480-KSK-003 | FORK SUB ASSY., R. FR. (SHOWA) | 001 | 0,00 | 8 835,12 |
| 38 | 51580-KSK-003 | FORK SUB ASSY., L. FR. (SHOWA) | 001 | 0,00 | 8 835,12 |

Block F-7 FRONT BRAKE CALIPER



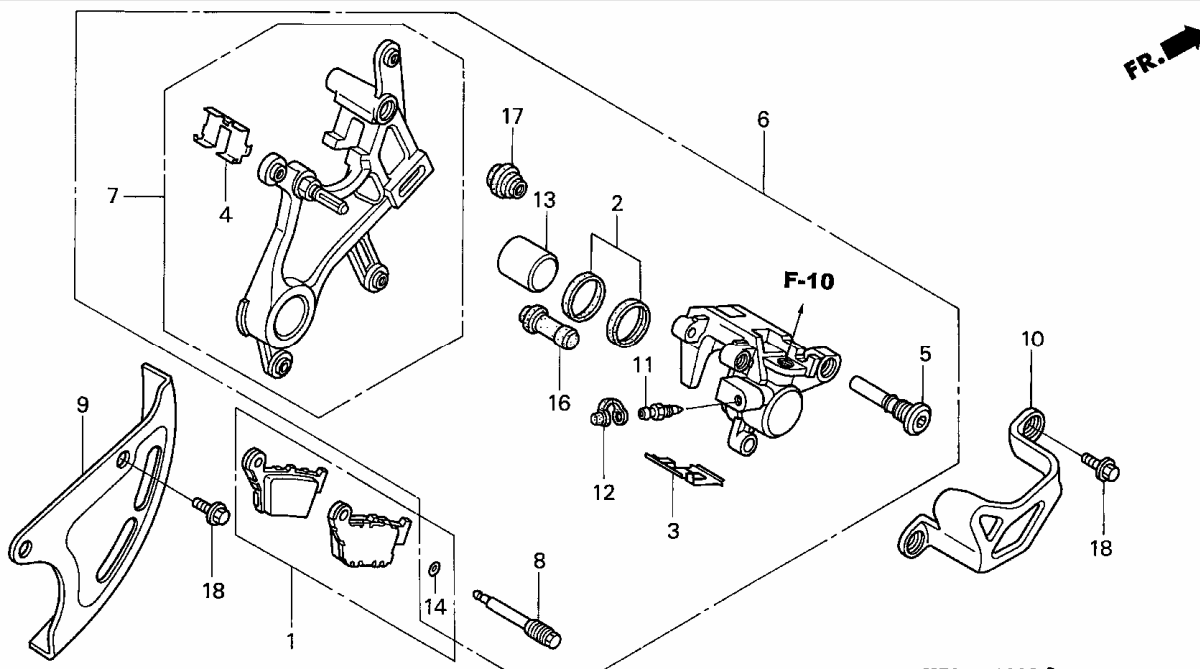
| Refnr | Part Number | Part Description | Unit Qty | Repair Qty | Price SEK (excl. VAT) |
|-------|---------------|------------------------------------|----------|------------|--------------------------|
| 1 | 06431-MA3-405 | SEAL SET, PISTON | 002 | 0,00 | 74,31 |
| 2 | 43352-568-003 | SCREW, BLEEDER (NISSIN) | 001 | 0,00 | 44,53 |
| 3 | 43353-461-771 | CAP, BLEEDER | 001 | 0,00 | 31,53 |
| 4 | 45105-MY6-405 | PAD SET, FR. | 001 | 0,00 | 349,67 |
| 5 | 45107-KZ4-J31 | PISTON | 002 | 0,00 | 224,57 |
| 6 | 45108-MY1-006 | SPRING, PAD | 001 | 0,00 | 24,19 |
| 7 | 45112-KS6-701 | RETAINER | 001 | 0,00 | 34,03 |
| 8 | 45131-HA5-672 | BOLT A, PIN | 001 | 0,00 | 80,74 |
| 10 | 45132-166-016 | BOOT, PIN BUSH (NISSIN) | 001 | 0,00 | 21,82 |
| 11 | 45133-MA3-006 | BOOT B | 001 | 0,00 | 31,53 |
| 12 | 45150-MEN-006 | CALIPER SUB ASSY., L. FR. (NISSIN) | 001 | 0,00 | 1 879,46 |
| 13 | 45190-MEN-006 | BRACKET SUB ASSY., L. FR. CALIPER | 001 | 0,00 | 629,54 |
| 14 | 45203-MG3-016 | PLUG, PIN | 001 | 0,00 | 28,52 |
| 15 | 45215-HA5-672 | PIN, HANGER | 001 | 0,00 | 21,56 |
| 16 | 90110-KZ4-J40 | BOLT, FLANGE, 8X40 | 002 | 0,00 | 51,97 |

Block F-8 FRONT WHEEL



| Refnr | Part Number | Part Description | Unit Qty | Repair Qty | Price SEK (excl. VAT) |
|-------|---------------|---|----------|------------|--------------------------|
| 1 | 06440-KZ4-820 | SPOKE SET, FR. (226.5MM) (FOR 20 INCHES) | (36 | 0,00 | 29,17 |
| 1 | 06440-KZ4-J40 | SPOKE SET, FR. (240MM) | 036 | 0,00 | 29,17 |
| 2 | 42714-KA3-710 | CAP, VALVE | 001 | 0,00 | 62,50 |
| 3 | 44301-MEN-000 | AXLE, FR. WHEEL | 001 | 0,00 | 379,42 |
| 4 | 44311-KZ4-J40 | COLLAR, L. FR. WHEEL | 001 | 0,00 | 89,41 |
| 5 | 44312-MEN-000 | COLLAR COMP., R. FR. WHEEL | 001 | 0,00 | 126,81 |
| 6 | 44620-MAC-680 | COLLAR, FR. DISTANCE | 001 | 0,00 | 113,42 |
| 7 | 44635-MAC-680 | HUB SUB ASSY., FR. WHEEL | 001 | 0,00 | 2 151,76 |
| 8 | 44650-MEN-000 | WHEEL SUB ASSY., FR. | 001 | 0,00 | 5 376,26 |
| 8 | 44650-KZ3-810 | WHEEL SUB ASSY., FR. (FOR 20 INCHES) | (1) | 0,00 | 5 894,99 |
| 9 | 44701-MEN-003 | RIM, FR. WHEEL (21X1.60) | 001 | 0,00 | 2 313,82 |
| 9 | 44701-KZ3-811 | RIM, FR. WHEEL (20X1.85) | (1) | 0,00 | 2 779,55 |
| 10 | 44711-MEB-771 | TIRE, FR. (PIRELLI) (80/100-21 M/C 51R MST MT32A) | 001 | 0,00 | 1 828,81 |
| 10 | 44711-KZ4-811 | TIRE, FR. (DUNLOP) (90/100-20 56M D739FA) | (1) | 0,00 | 2 348,99 |
| 11 | 44712-MEB-771 | TUBE, TIRE (PIRELLI) (80/100-21) | 001 | 0,00 | 370,76 |
| 11 | 44712-KZ4-811 | TUBE, TIRE (DUNLOP) (90/100-20) | (1) | 0,00 | 455,40 |
| 12 | 44713-MEB-771 | FLAP, TIRE (PIRELLI) | 001 | 0,00 | 53,59 |
| 12 | 44713-KZ4-811 | FLAP, TIRE (DUNLOP) (FOR 20 INCHES) | (1) | 0,00 | 339,65 |
| 13 | 44715-MA0-770 | STOPPER, BEAD (1.60) | 001 | 0,00 | 263,94 |
| 13 | 42715-KA2-680 | STOPPER, BEAD (1.85) (FOR 20 INCHES) | (1) | 0,00 | 278,11 |
| 14 | 45351-KZ4-J30 | DISK, FR. BRAKE | 001 | 0,00 | 1 335,79 |
| 15 | 51614-KZ4-J40 | COVER, FR. DISK *TNATURAL* | 001 | 0,00 | 208,56 |
| 16 | 90105-MAC-680 | BOLT, DISK, 6X19 | 006 | 0,00 | 19,17 |
| 17 | 90114-MAC-780 | BOLT, FR. DISK COVER | 002 | 0,00 | 18,04 |
| 18 | 90301-KZ4-J40 | NUT, FR. AXLE | 001 | 0,00 | 124,18 |
| 19 | 90301-473-003 | NUT, U, 6MM | 006 | 0,00 | 25,10 |
| 20 | 91062-MAC-681 | BEARING, RADIAL BALL, 6904 | 002 | 0,00 | 96,88 |
| 21 | 91201-KS6-004 | OIL SEAL, 26X37X7 (ARAI) | 002 | 0,00 | 76,28 |
| 22 | 94001-08000S | NUT, HEX., 8MM | 001 | 0,00 | 4,02 |
| 23 | 94111-08000- | WASHER, SPRING, 8MM | 001 | 0,00 | 6,09 |

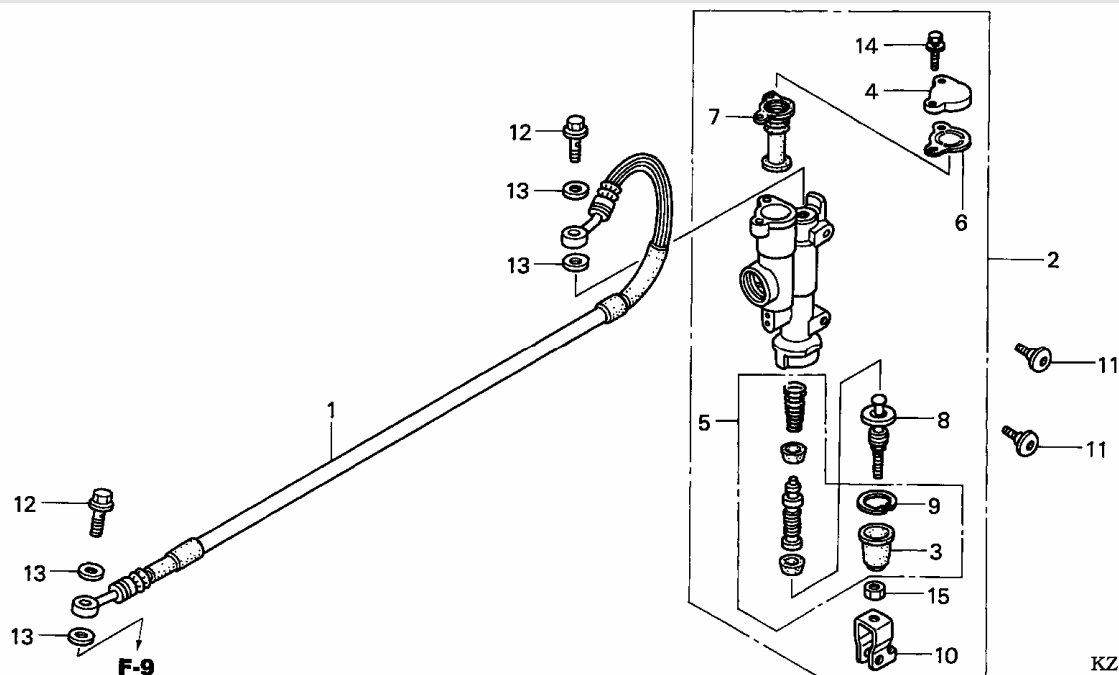
Block F-9 REAR BRAKE CALIPER



KZ37-F0900 B

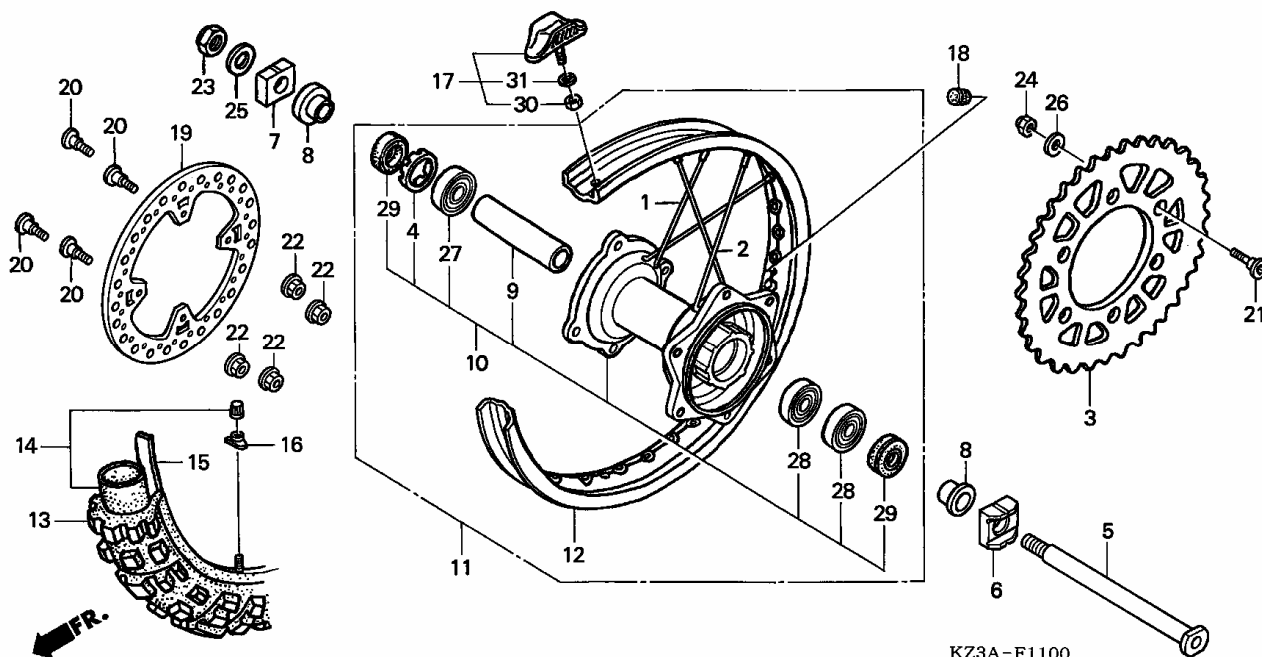
| Refnr | Part Number | Part Description | Unit Qty | Repair Qty | Price SEK (excl. VAT) |
|-------|---------------|---------------------------------------|----------|------------|--------------------------|
| 1 | 06435-KZ4-J41 | PAD SET, RR. | 001 | 0,00 | 349,67 |
| 2 | 06451-MZ2-405 | SEAL SET, PISTON | 001 | 0,00 | 59,36 |
| 3 | 43108-KZ4-J41 | SPRING, PAD | 001 | 0,00 | 32,59 |
| 4 | 43112-KZ4-J41 | RETAINER, BRACKET | 001 | 0,00 | 30,62 |
| 5 | 43131-KW3-006 | BOLT, PIN | 001 | 0,00 | 29,17 |
| 6 | 43150-KZ4-J41 | CALIPER SUB ASSY., RR. BRAKE (NISSIN) | 001 | 0,00 | 2 340,72 |
| 7 | 43190-KZ4-J41 | BRACKET SUB ASSY., RR. | 001 | 0,00 | 1 219,92 |
| 8 | 43215-KZ4-J41 | PIN, HANGER | 001 | 0,00 | 43,87 |
| 9 | 43330-KZ4-J40 | COVER, RR. DISK *TNATURAL* | 001 | 0,00 | 140,72 |
| 10 | 43340-KZ4-J40 | GUARD, RR. CALIPER *TNATURAL* | 001 | 0,00 | 116,84 |
| 11 | 43352-568-003 | SCREW, BLEEDER (NISSIN) | 001 | 0,00 | 44,53 |
| 12 | 43353-461-771 | CAP, BLEEDER | 001 | 0,00 | 31,53 |
| 13 | 45107-MCT-006 | PISTON (22 A) | 001 | 0,00 | 229,43 |
| 14 | 45111-MAJ-G41 | RING, STOPPER | 001 | 0,00 | 10,02 |
| 16 | 45132-166-016 | BOOT, PIN BUSH (NISSIN) | 001 | 0,00 | 21,82 |
| 17 | 45133-MA3-006 | BOOT B | 001 | 0,00 | 31,53 |
| 18 | 90004-GHB-600 | BOLT, FLANGE, 6X10 (NSHF) | 004 | 0,00 | 33,22 |

Block F-10 RR. BRAKE MASTER CYLINDER



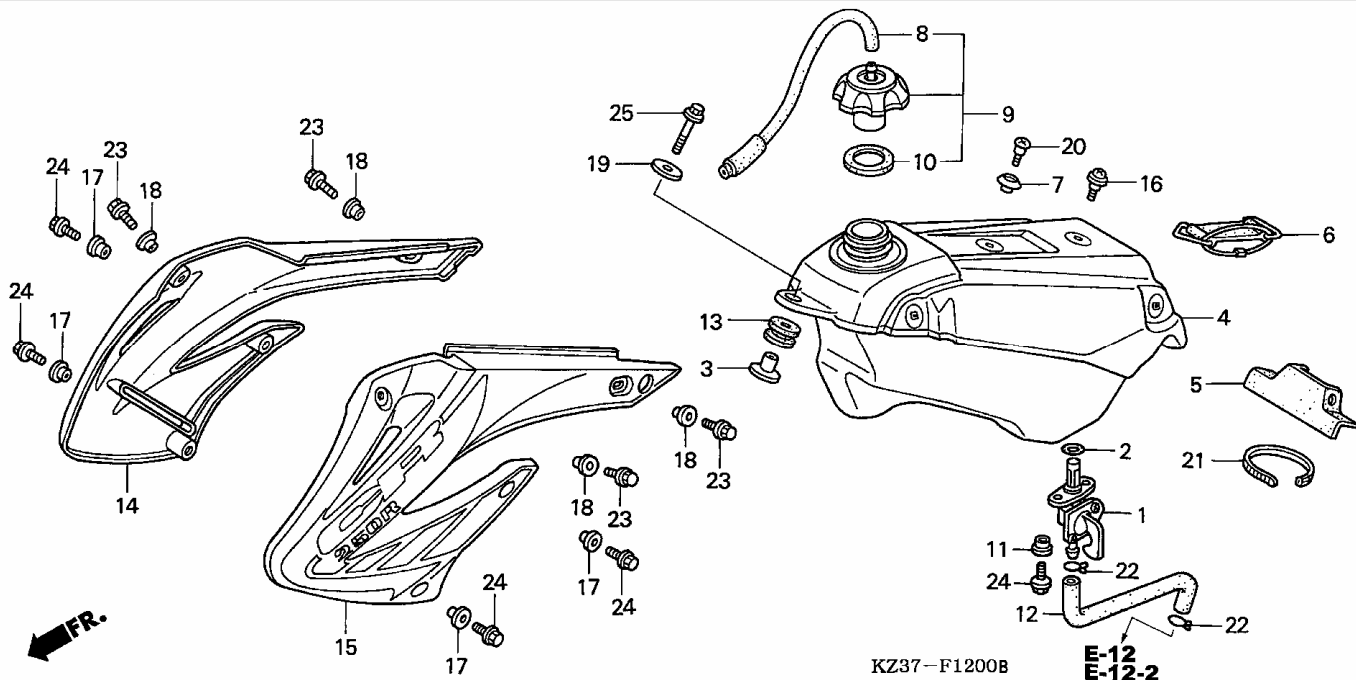
| Refnr | Part Number | Part Description | Unit Qty | Repair Qty | Price SEK (excl. VAT) |
|-------|---------------|---|----------|------------|-----------------------|
| 1 | 43310-KZ4-J41 | HOSE, RR. BRAKE | 001 | 0,00 | 502,25 |
| 2 | 43500-KZ4-J42 | CYLINDER ASSY., RR. BRAKE MASTER (NISSIN) | 001 | 0,00 | 1 619,24 |
| 3 | 43504-MB2-006 | BOOT COMP. | 001 | 0,00 | 44,40 |
| 4 | 43513-KZ4-J41 | CAP, MASTER CYLINDER | 001 | 0,00 | 28,12 |
| 5 | 43520-KZ4-J42 | PISTON SET, MASTER CYLINDER | 001 | 0,00 | 400,54 |
| 6 | 43521-KZ4-J41 | PLATE, DIAPHRAGM | 001 | 0,00 | 33,76 |
| 7 | 43522-KZ4-J41 | DIAPHRAGM | 001 | 0,00 | 113,81 |
| 8 | 43530-KZ4-J41 | ROD COMP., PUSH | 001 | 0,00 | 133,63 |
| 9 | 46182-500-013 | CIRCLIP | 001 | 0,00 | 19,62 |
| 10 | 46504-KZ4-J41 | JOINT, BRAKE ROD | 001 | 0,00 | 42,96 |
| 11 | 90114-MAC-780 | BOLT, FR. DISK COVER | 002 | 0,00 | 18,04 |
| 12 | 90145-MS9-612 | BOLT, OIL, 10X22 | 002 | 0,00 | 61,46 |
| 13 | 90545-300-000 | WASHER, OIL BOLT | 004 | 0,00 | 16,18 |
| 14 | 93401-0401600 | BOLT-WASHER, 4X16 | 002 | 0,00 | 4,31 |
| 15 | 94002-060000S | NUT, HEX., 6MM | 001 | 0,00 | 5,79 |

Block F-11 REAR WHEEL



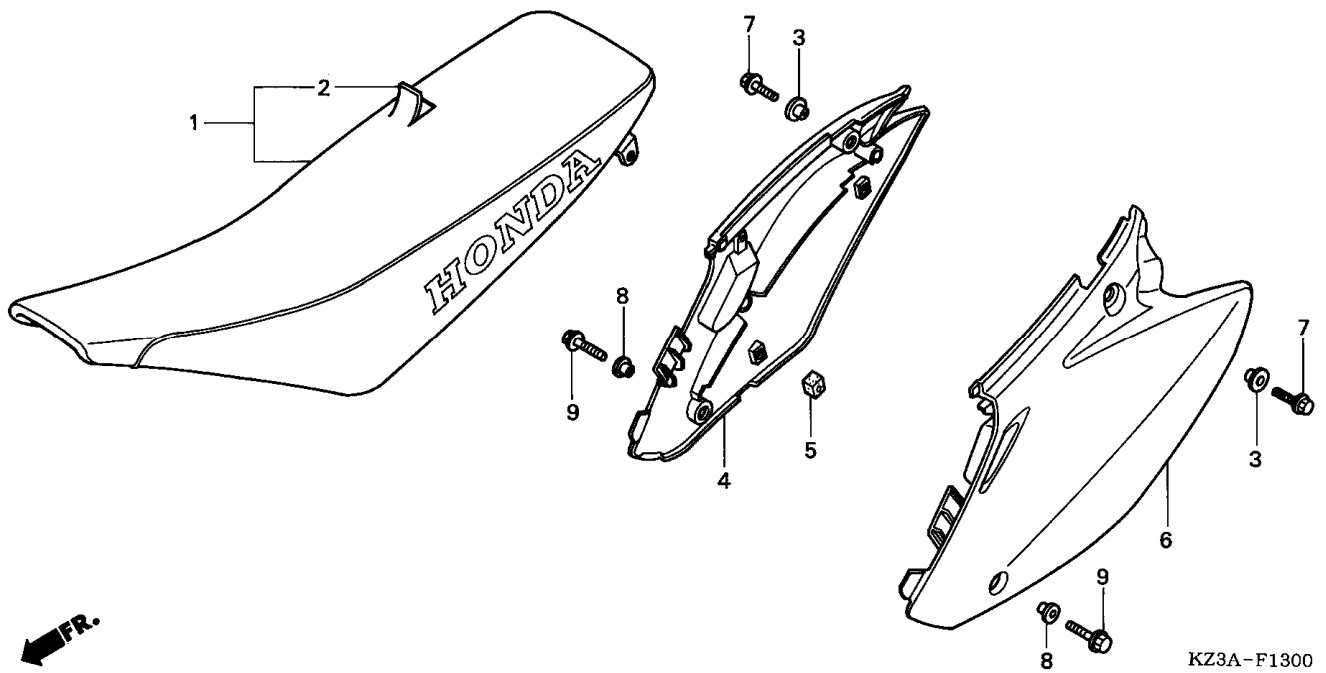
| Refnr | Part Number | Part Description | Unit Qty | Repair Qty | Price SEK (excl. VAT) |
|-------|---------------|--|----------|------------|--------------------------|
| 1 | 06420-MEB-750 | SPOKE SET, RR. (INSIDE) | 016 | 0,00 | 25,10 |
| 2 | 06421-MEB-750 | SPOKE SET, RR. (OUTSIDE) | 016 | 0,00 | 25,10 |
| 3 | 41203-KZ3-J20 | SPROCKET, FINAL DRIVEN (50T) | 001 | 0,00 | 899,82 |
| 3 | 41201-KZ3-J40 | SPROCKET, FINAL DRIVEN (49T) | (1) | 0,00 | 751,68 |
| 3 | 41202-KZ4-J20 | SPROCKET, FINAL DRIVEN (51T) | (1) | 0,00 | 899,57 |
| 4 | 41231-KZ4-J20 | RETAINER, RR. WHEEL BEARING | 001 | 0,00 | 128,38 |
| 5 | 42301-KZ4-J40 | AXLE, RR. WHEEL | 001 | 0,00 | 605,65 |
| 6 | 42305-KZ4-J40 | COLLAR, L. RR. AXLE | 001 | 0,00 | 134,42 |
| 7 | 42306-KZ4-J20 | COLLAR, R. RR. AXLE | 001 | 0,00 | 124,71 |
| 8 | 42311-KZ4-J40 | COLLAR, RR. WHEEL SIDE | 002 | 0,00 | 135,73 |
| 9 | 42620-KZ4-J20 | COLLAR, RR. WHEEL DISTANCE | 001 | 0,00 | 237,96 |
| 10 | 42635-MEN-000 | HUB SUB ASSY., RR. WHEEL | 001 | 0,00 | 2 716,16 |
| 11 | 42650-MEN-000 | WHEEL SUB ASSY., RR. | 001 | 0,00 | 7 014,48 |
| 12 | 42701-KZ3-J41 | RIM, RR. WHEEL (19X2.15) | 001 | 0,00 | 1 610,98 |
| 13 | 42711-MEB-771 | TIRE, RR. (PIRELLI) (110/90-19 NHS MT32) | 001 | 0,00 | 2 436,39 |
| 14 | 42712-MEB-771 | TUBE, TIRE (PIRELLI) | 001 | 0,00 | 380,73 |
| 15 | 42713-MEB-771 | FLAP, TIRE (PIRELLI) | 001 | 0,00 | 50,83 |
| 16 | 42714-KA3-710 | CAP, VALVE | 001 | 0,00 | 62,50 |
| 17 | 42715-MA0-770 | STOPPER, BEAD (2.15) | 001 | 0,00 | 323,12 |
| 18 | 42717-329-000 | CAP, RIM HOLE | 001 | 0,00 | 40,86 |
| 19 | 43351-KZ4-J40 | DISK, RR. BRAKE | 001 | 0,00 | 1 483,82 |
| 20 | 90105-MAC-680 | BOLT, DISK, 6X19 | 004 | 0,00 | 19,17 |
| 21 | 90125-KA4-000 | SCREW, FLAT, 8X31 | 006 | 0,00 | 18,93 |
| 22 | 90301-473-003 | NUT, U, 6MM | 004 | 0,00 | 25,10 |
| 23 | 90305-KZ4-J20 | NUT, U, 22MM | 001 | 0,00 | 62,50 |
| 24 | 90309-ML3-791 | NUT, U, 8MM | 006 | 0,00 | 27,86 |
| 25 | 90401-KZ4-J20 | WASHER, 22X35X2 | 001 | 0,00 | 26,95 |
| 26 | 90465-MC4-000 | WASHER, 8MM | 006 | 0,00 | 25,10 |
| 27 | 91051-KZ4-J21 | BEARING, RADIAL BALL, 69052RS | 001 | 0,00 | 169,45 |
| 28 | 91052-KZ4-J21 | BEARING, RADIAL BALL, 6905RS | 002 | 0,00 | 159,22 |
| 29 | 91251-KZ4-J21 | DUST SEAL, 32X43X7 | 002 | 0,00 | 58,70 |
| 30 | 94001-080000S | NUT, HEX., 8MM | 001 | 0,00 | 4,02 |
| 31 | 94111-08000- | WASHER, SPRING, 8MM | 001 | 0,00 | 6,09 |

Block F-12 FUEL TANK



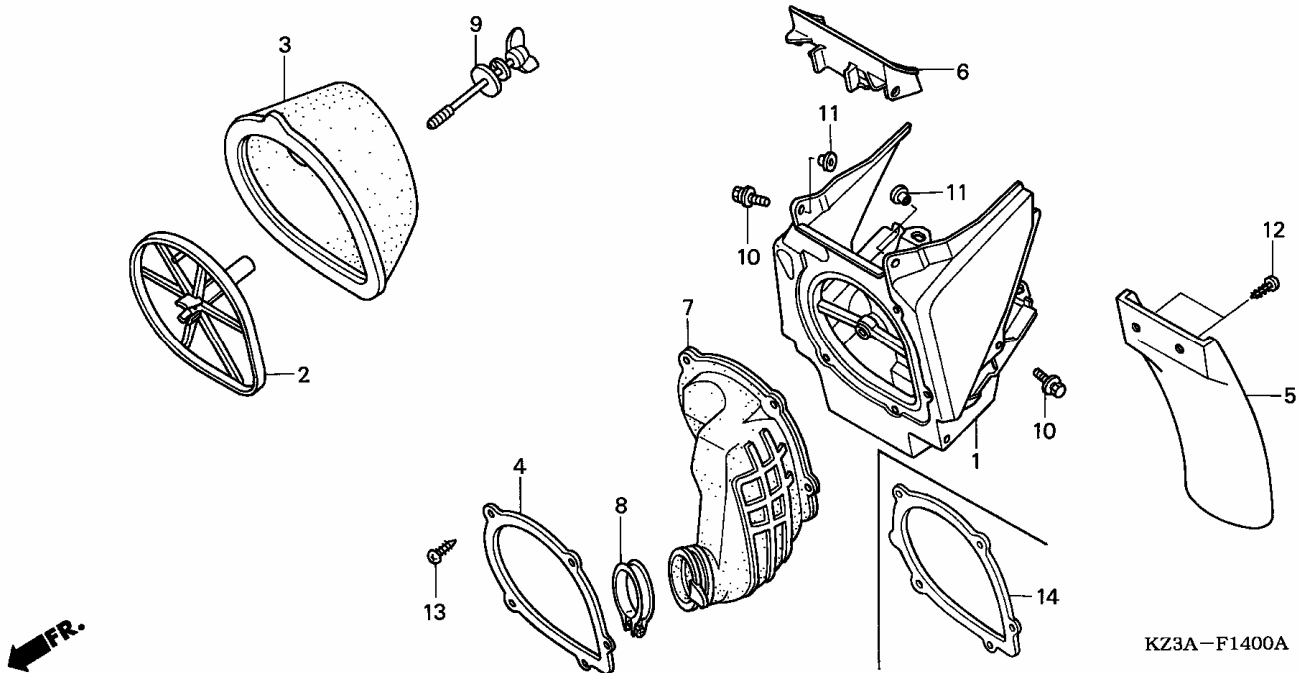
| Refnr | Part Number | Part Description | Unit Qty | Repair Qty | Price SEK (excl. VAT) |
|-------|---------------|--------------------------------------|----------|------------|--------------------------|
| 1 | 16950-ML3-911 | COCK ASSY., FUEL | 001 | 0,00 | 351,20 |
| 2 | 16997-467-000 | O-RING, 11.8X3.55 | 001 | 0,00 | 30,62 |
| 3 | 17509-KZ3-B00 | COLLAR, TANK SETTING | 001 | 0,00 | 44,92 |
| 4 | 17510-KSK-000 | TANK COMP., FUEL | 001 | 0,00 | 3 898,38 |
| 5 | 17512-KZ3-J50 | RUBBER, FUEL TANK | 001 | 0,00 | 83,63 |
| 6 | 17516-KZ3-B00 | BAND, TANK RR. | 001 | 0,00 | 86,13 |
| 7 | 17518-KZ4-710 | COLLAR, SEAT FR. | 001 | 0,00 | 28,52 |
| 8 | 17521-KZ4-J20 | TUBE COMP., FUEL CAP BREATHER | 001 | 0,00 | 51,09 |
| 9 | 17620-KZ4-J20 | CAP ASSY., FUEL TANK | 001 | 0,00 | 194,78 |
| 10 | 17624-KA4-000 | PACKING, FUEL TANK CAP | 001 | 0,00 | 54,24 |
| 11 | 17626-467-000 | COLLAR, FUEL TANK SETTING | 002 | 0,00 | 35,08 |
| 12 | 17681-KZ3-J20 | TUBE, FUEL | 001 | 0,00 | 36,52 |
| 13 | 18334-ML3-680 | RUBBER, SILENCER | 001 | 0,00 | 21,82 |
| 14 | 19071-KSK-000 | SHROUD SET, R. RADIATOR (WL) *TYPE1* | 001 | 0,00 | 905,37 |
| 15 | 19072-KSK-000 | SHROUD SET, L. RADIATOR (WL) *TYPE1* | 001 | 0,00 | 905,37 |
| 16 | 90108-MN0-000 | SCREW, PAN, 5X13 | 001 | 0,00 | 12,90 |
| 17 | 90501-KZ4-J20 | COLLAR A | 004 | 0,00 | 32,85 |
| 18 | 90504-KBP-900 | COLLAR, MIDDLE COVER | 004 | 0,00 | 9,36 |
| 19 | 90506-430-000 | WASHER, FENDER MOUNTING | 001 | 0,00 | 28,52 |
| 20 | 91422-MT8-770 | SCREW, SPECIAL, 5MM | 001 | 0,00 | 15,79 |
| 21 | 91560-MS8-600 | TY-RAP, CABLE | 001 | 0,00 | 10,41 |
| 22 | 95002-02120- | CLIP, TUBE (B12) | 002 | 0,00 | 4,90 |
| 23 | 96001-0601200 | BOLT, FLANGE, 6X12 | 004 | 0,00 | 8,30 |
| 24 | 96001-0601600 | BOLT, FLANGE, 6X16 | 006 | 0,00 | 6,09 |
| 25 | 96001-0603500 | BOLT, FLANGE, 6X35 | 001 | 0,00 | 7,56 |

Block F-13 SEAT



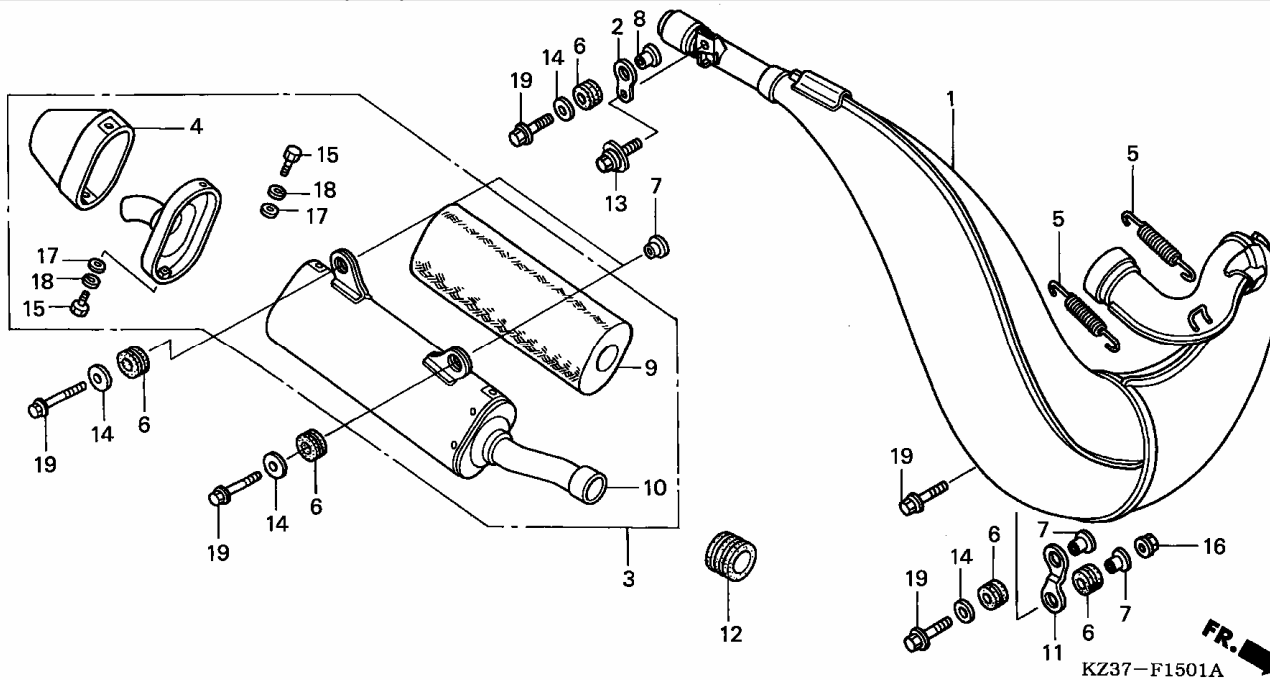
| Refnr | Part Number | Part Description | Unit Qty | Repair Qty | Price SEK (excl. VAT) |
|-------|---------------|--|----------|------------|-----------------------|
| 1 | 77100-KSK-000 | SEAT COMP. | 001 | 0,00 | 2 398,73 |
| 2 | 77101-KSK-000 | LEATHER COMP., SEAT (NO LETTERS PRINTED) | 001 | 0,00 | 764,30 |
| 3 | 83505-KM4-000 | COLLAR, TOOL BOX SETTING | 002 | 0,00 | 36,79 |
| 4 | 83510-KZ3-J50 | COVER, R. SIDE *NH196* | 001 | 0,00 | 389,00 |
| 5 | 83515-KS7-830 | RUBBER, SIDE COVER STOPPER | 001 | 0,00 | 18,68 |
| 6 | 83610-KZ3-J50 | COVER, L. SIDE *NH196* | 001 | 0,00 | 389,00 |
| 7 | 90123-KZ4-J40 | BOLT, FLANGE, 8X18 | 002 | 0,00 | 33,22 |
| 8 | 90501-KZ4-J20 | COLLAR A | 002 | 0,00 | 32,85 |
| 9 | 96001-0601400 | BOLT, FLANGE, 6X14 | 002 | 0,00 | 8,30 |

Block F-14 AIR CLEANER



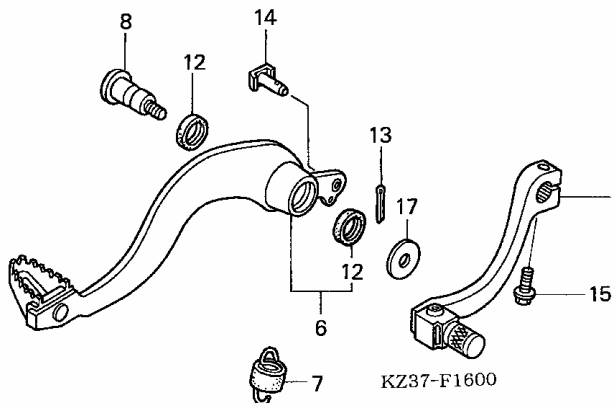
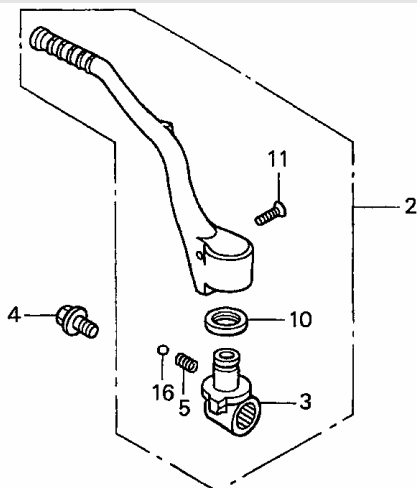
| Refnr | Part Number | Part Description | Unit Qty | Repair Qty | Price SEK (excl. VAT) |
|-------|---------------|-------------------------------------|----------|------------|-----------------------|
| 1 | 17210-KZ3-J42 | CASE, AIR CLEANER | 001 | 0,00 | 977,55 |
| 2 | 17212-KZ4-J41 | BASE, ELEMENT | 001 | 0,00 | 123,92 |
| 3 | 17213-KZ4-J40 | ELEMENT, AIR CLEANER | 001 | 0,00 | 281,65 |
| 4 | 17217-KZ3-J50 | PLATE, AIR CLEANER CASE FR. | 001 | 0,00 | 103,97 |
| 5 | 17218-KZ3-860 | MUDGUARD, AIR CLEANER CASE | 001 | 0,00 | 265,64 |
| 6 | 17223-KZ4-J40 | VISOR, AIR CLEANER CASE | 001 | 0,00 | 155,68 |
| 7 | 17253-KSK-000 | TUBE, AIR CLEANER CONNECTING | 001 | 0,00 | 349,23 |
| 8 | 17257-KA3-830 | BAND B, AIR CLEANER CONNECTING TUBE | 001 | 0,00 | 65,39 |
| 9 | 17291-MAC-740 | BOLT, ELEMENT SETTING | 001 | 0,00 | 74,83 |
| 10 | 90102-KS6-000 | BOLT-WASHER, 6X16 | 002 | 0,00 | 49,53 |
| 11 | 90506-425-000 | WASHER, RR. COVER | 002 | 0,00 | 25,63 |
| 12 | 93913-15510- | SCREW, TAPPING, 5X20 | 002 | 0,00 | 4,02 |
| 13 | 93913-25280- | SCREW, TAPPING, 5X12 (PO) | 005 | 0,00 | 5,79 |
| 14 | 17219-KZ3-J51 | GASKET, CONNECTING TUBE | 001 | 0,00 | 66,05 |

Block F-15-1 EXPANSION CHAMBER (ED,U)



| Refnr | Part Number | Part Description | Unit Qty | Repair Qty | Price SEK (excl. VAT) |
|-------|---------------|----------------------------------|----------|------------|-----------------------|
| 1 | 18300-KSK-010 | CHAMBER COMP., EXPANSION | 001 | 0,00 | 3 642,22 |
| 2 | 18325-KS6-000 | STAY, RR. CHAMBER | 001 | 0,00 | 109,61 |
| 3 | 18330-KZ3-J50 | SILENCER COMP. | 001 | 0,00 | 3 076,51 |
| 4 | 18332-KZ3-J20 | CAP, RR. SILENCER | 001 | 0,00 | 171,55 |
| 5 | 18332-KZ3-710 | SPRING, EX. PIPE | 002 | 0,00 | 55,03 |
| 6 | 18334-KA3-830 | RUBBER, SILENCER | 005 | 0,00 | 23,66 |
| 7 | 18336-KS6-700 | COLLAR, SILENCER MOUNTING | 004 | 0,00 | 28,52 |
| 8 | 18336-KZ3-J30 | COLLAR, CHAMBER MOUNTING | 001 | 0,00 | 28,52 |
| 9 | 18340-KZ3-860 | WOOL, GLASS | 001 | 0,00 | 365,12 |
| 10 | 18350-KZ3-J50 | BODY COMP., SILENCER | 001 | 0,00 | 2 316,05 |
| 11 | 18355-KZ3-J40 | STAY, CHAMBER | 001 | 0,00 | 91,37 |
| 12 | 18365-KA4-730 | RUBBER, SILENCER CONNECTING PIPE | 001 | 0,00 | 121,82 |
| 13 | 90102-KS6-000 | BOLT-WASHER, 6X16 | 001 | 0,00 | 49,53 |
| 14 | 90506-430-000 | WASHER, FENDER MOUNTING | 004 | 0,00 | 28,52 |
| 15 | 92301-050120A | BOLT, RECESSED, 5X12 | 002 | 0,00 | 2,84 |
| 16 | 94050-06000- | NUT, FLANGE, 6MM | 001 | 0,00 | 6,82 |
| 17 | 94101-05000- | WASHER, PLAIN, 5MM | 002 | 0,00 | 3,58 |
| 18 | 94111-05000- | WASHER, SPRING, 5MM | 002 | 0,00 | 1,96 |
| 19 | 96001-0602500 | BOLT, FLANGE, 6X25 | 005 | 0,00 | 7,56 |

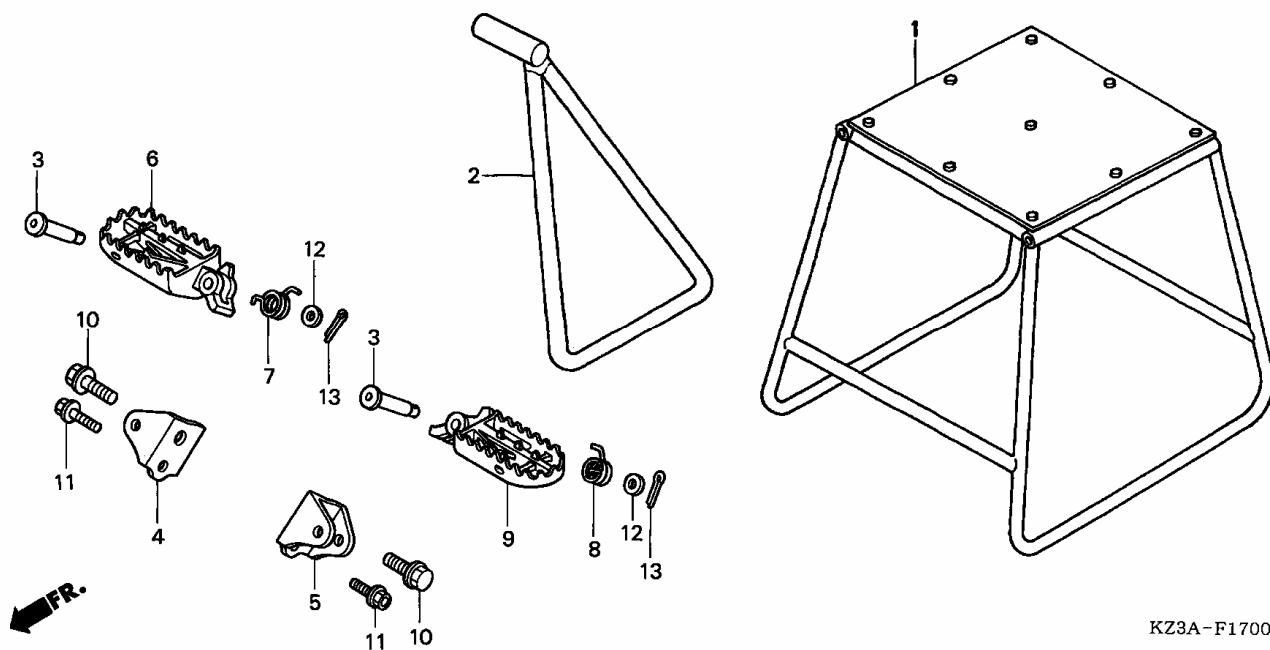
Block F-16 PEDAL



FR.

| Refnr | Part Number | Part Description | Unit Qty | Repair Qty | Price SEK (excl. VAT) |
|-------|---------------|--------------------------------|----------|------------|-----------------------|
| 1 | 24700-KSK-000 | PEDAL COMP., CHANGE | 001 | 0,00 | 709,06 |
| 2 | 28300-KZ3-J20 | ARM ASSY., KICK STARTER | 001 | 0,00 | 928,47 |
| 3 | 28302-KZ3-J20 | JOINT, KICK ARM | 001 | 0,00 | 455,40 |
| 4 | 28306-KAE-000 | BOLT, KICK JOINT | 001 | 0,00 | 65,46 |
| 5 | 28333-KK0-000 | SPRING, KICK STARTER | 001 | 0,00 | 15,53 |
| 6 | 46510-KSK-000 | PEDAL, RR. BRAKE | 001 | 0,00 | 947,10 |
| 7 | 46511-KZ4-J00 | SPRING ASSY., RR. BRAKE RETURN | 001 | 0,00 | 38,23 |
| 8 | 46513-KZ4-J20 | SHAFT, BRAKE PIVOT | 001 | 0,00 | 112,50 |
| 10 | 46525-KK0-003 | DUST SEAL, 17X20X2.5 | 001 | 0,00 | 30,09 |
| 11 | 90101-MAC-680 | BOLT, KICK ARM | 001 | 0,00 | 43,91 |
| 12 | 91251-444-000 | DUST SEAL, 15X20X2.5 | 002 | 0,00 | 31,53 |
| 13 | 94201-20120- | PIN, SPLIT, 2.0X12 | 001 | 0,00 | 1,96 |
| 14 | 95015-54000- | PIN D, JOINT | 001 | 0,00 | 8,30 |
| 15 | 96001-0602500 | BOLT, FLANGE, 6X25 | 001 | 0,00 | 7,56 |
| 16 | 96211-08000- | BALL, STEEL, #8 (1/4) | 001 | 0,00 | 3,33 |
| 17 | 90404-MEN-670 | WASHER, 26X9 | 001 | 0,00 | 29,83 |

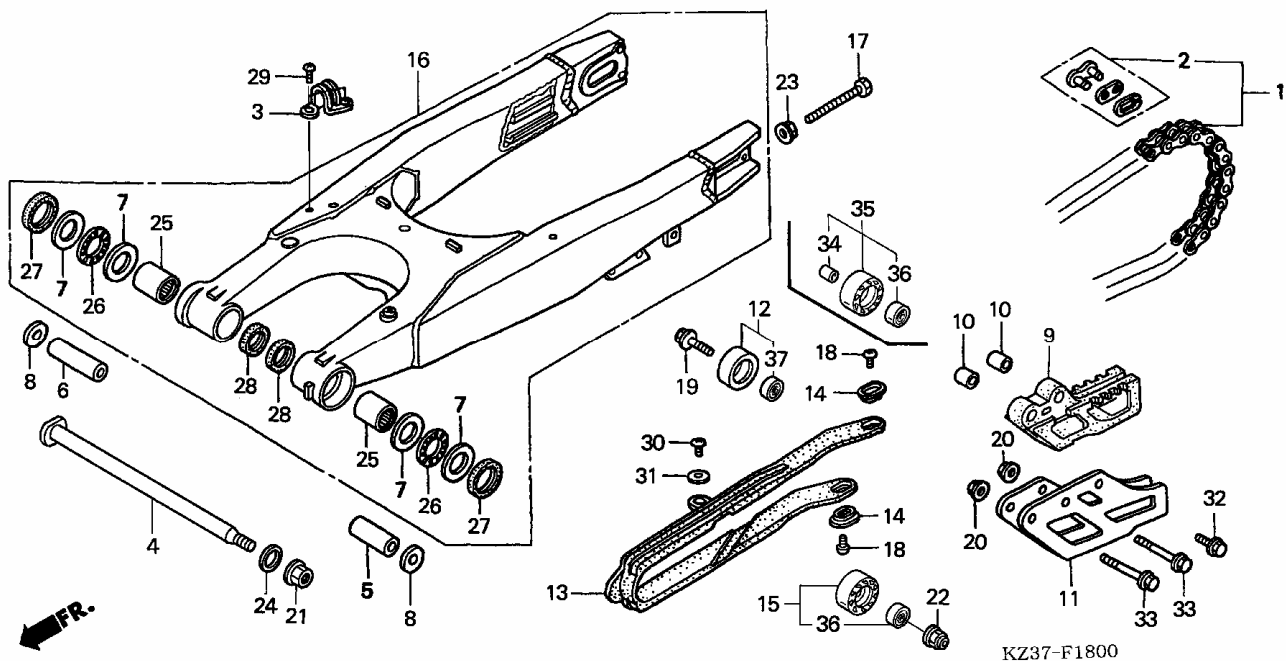
Block F-17 STEP



KZ3A-F1700

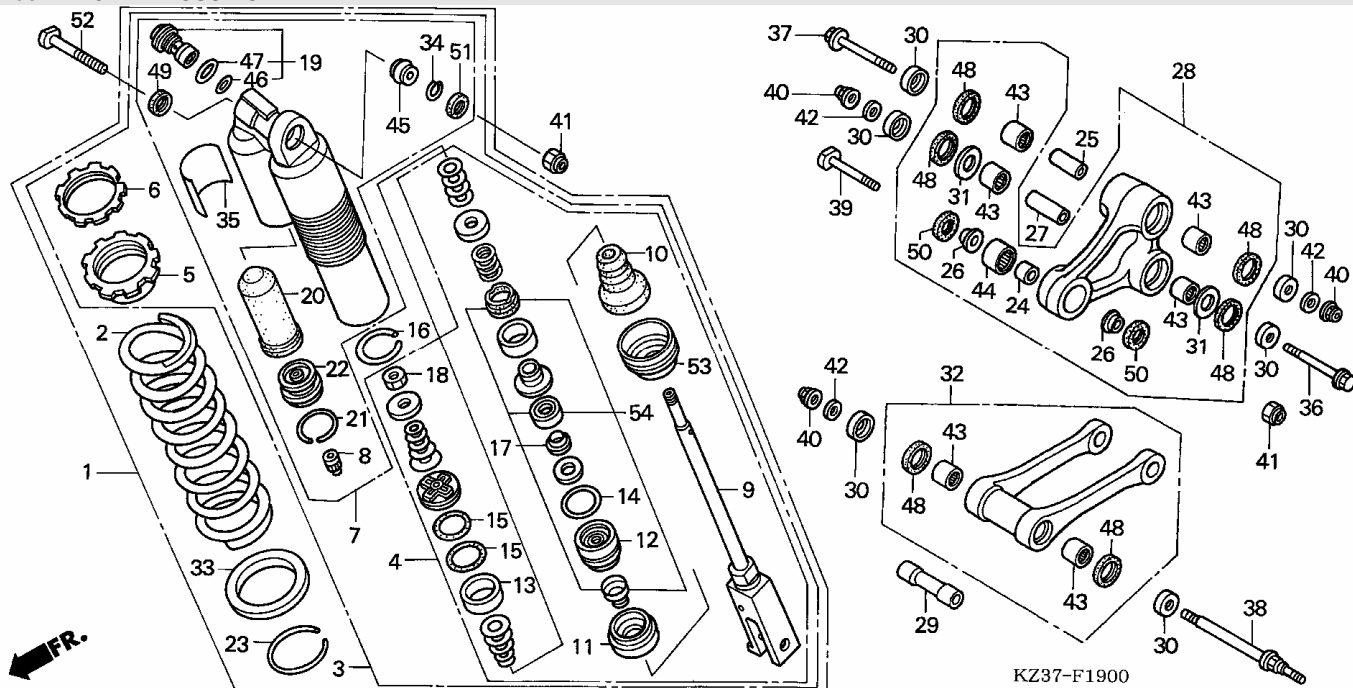
| Refnr | Part Number | Part Description | Unit Qty | Repair Qty | Price SEK (excl. VAT) |
|-------|---------------|------------------------|----------|------------|-----------------------|
| 1 | 50500-KA3-820 | STAND COMP., MAIN | (1) | 0,00 | 1 570,96 |
| 2 | 50530-KZ4-J40 | BAR, SIDE STAND | 001 | 0,00 | 302,52 |
| 3 | 50603-KZ4-J40 | PIN, STEP JOINT | 002 | 0,00 | 29,17 |
| 4 | 50610-MEN-670 | BRACKET, R. STEP | 001 | 0,00 | 132,45 |
| 5 | 50611-MEN-670 | BRACKET, L. STEP | 001 | 0,00 | 132,45 |
| 6 | 50616-MEN-670 | ARM, R. STEP | 001 | 0,00 | 363,02 |
| 7 | 50617-KZ4-J40 | SPRING, R. STEP RETURN | 001 | 0,00 | 20,91 |
| 8 | 50618-KZ4-J40 | SPRING, L. STEP RETURN | 001 | 0,00 | 20,91 |
| 9 | 50642-MEN-670 | ARM, L. STEP | 001 | 0,00 | 363,02 |
| 10 | 90101-KZ4-J40 | BOLT, STEP, 12MM | 002 | 0,00 | 43,15 |
| 11 | 90101-KZ3-J50 | BOLT, FLANGE, 8X24 | 002 | 0,00 | 27,59 |
| 12 | 94102-08800- | WASHER, PLAIN, 8MM | 002 | 0,00 | 3,58 |
| 13 | 94201-25150- | PIN, SPLIT, 2.5X15 | 002 | 0,00 | 4,02 |

Block F-18 SWINGARM



| Refnr | Part Number | Part Description | Unit Qty | Repair Qty | Price SEK (excl. VAT) |
|-------|---------------|---|----------|------------|-----------------------|
| 1 | 40530-KZ3-J31 | CHAIN, DRIVE (DAIDO) (DID520DMA2-114RB) | 001 | 0,00 | 937,76 |
| 1 | 40540-MEN-003 | CHAIN, DRIVE (DAIDO) (DID520DMA2-120RB) | (1) | 0,00 | 1 210,10 |
| 2 | 40531-KZ4-J31 | JOINT, DRIVE CHAIN (DAIDO) | 001 | 0,00 | 69,59 |
| 3 | 43468-KZ3-B00 | GUIDE, RR. BRAKE HOSE | 001 | 0,00 | 35,08 |
| 4 | 52101-KZ4-J40 | SHAFT, SWINGARM PIVOT | 001 | 0,00 | 214,86 |
| 5 | 52141-KZ3-J40 | COLLAR, SWINGARM, 49MM | 001 | 0,00 | 107,12 |
| 6 | 52142-KZ4-J40 | COLLAR, SWINGARM SIDE, 54MM | 001 | 0,00 | 107,12 |
| 7 | 52143-KZ3-860 | WASHER, SWINGARM SIDE | 004 | 0,00 | 20,65 |
| 8 | 52143-KZ4-J40 | COLLAR, SWINGARM PIVOT SIDE | 002 | 0,00 | 26,55 |
| 9 | 52146-MEN-000 | GUIDE, CHAIN | 001 | 0,00 | 214,33 |
| 10 | 52148-MEN-000 | COLLAR, CHAIN GUIDE | 002 | 0,00 | 33,50 |
| 11 | 52156-ML3-910 | PLATE, CHAIN GUIDE | 001 | 0,00 | 413,67 |
| 13 | 52170-MEB-750 | SLIDER, CHAIN | 001 | 0,00 | 498,31 |
| 14 | 52171-KR6-000 | WASHER, CHAIN SLIDER | 002 | 0,00 | 5,82 |
| 15 | 52176-KZ3-J40 | ROLLER COMP., CHAIN LOWER | 001 | 0,00 | 344,78 |
| 16 | 52200-KSK-000 | SWINGARM SUB ASSY., RR. | 001 | 0,00 | 6 647,71 |
| 17 | 90105-MEN-000 | BOLT, HEX., 8X47.5 | 002 | 0,00 | 38,66 |
| 18 | 90115-KV3-700 | SCREW, PAN, 5X8 | 002 | 0,00 | 11,06 |
| 19 | 90124-MEB-770 | BOLT, FLANGE, 8X32 | 001 | 0,00 | 28,16 |
| 20 | 90301-473-003 | NUT, U, 6MM | 002 | 0,00 | 25,10 |
| 21 | 90305-KZ3-B01 | NUT, U, HEX. 14MM | 001 | 0,00 | 27,86 |
| 22 | 90309-ML3-791 | NUT, U, 8MM | 001 | 0,00 | 27,86 |
| 23 | 90309-357-000 | NUT, HEX., 8MM | 002 | 0,00 | 41,38 |
| 24 | 90501-GBL-730 | WASHER, 14MM | 001 | 0,00 | 13,69 |
| 25 | 91071-MJ0-003 | BEARING, NEEDLE (NTN) | 002 | 0,00 | 197,53 |
| 26 | 91072-KZ3-861 | BEARING, NEEDLE THRUST | 002 | 0,00 | 68,93 |
| 27 | 91253-KZ3-861 | DUST SEAL, 30X37X4 | 002 | 0,00 | 59,62 |
| 28 | 91283-ML7-003 | DUST SEAL, 22X29X4 (ARAI) | 002 | 0,00 | 59,62 |
| 29 | 93500-050080A | SCREW, PAN, 5X8 | 002 | 0,00 | 1,96 |
| 30 | 93500-050080G | SCREW, PAN, 5X8 | 001 | 0,00 | 3,58 |
| 31 | 94103-05700- | WASHER, PLAIN, 5MM | 001 | 0,00 | 1,96 |
| 32 | 96001-0601200 | BOLT, FLANGE, 6X12 | 001 | 0,00 | 8,30 |
| 33 | 96001-0605000 | BOLT, FLANGE, 6X50 | 002 | 0,00 | 10,79 |
| 34 | 52160-MEN-000 | COLLAR, CHAIN TENSIONER | 001 | 0,00 | 25,76 |
| 35 | 52175-KSK-000 | ROLLER, CHAIN (32) | 001 | 0,00 | 344,78 |
| 36 | 91011-GCT-003 | BEARING, RADIAL BALL, 608UU | 003 | 0,00 | 187,43 |

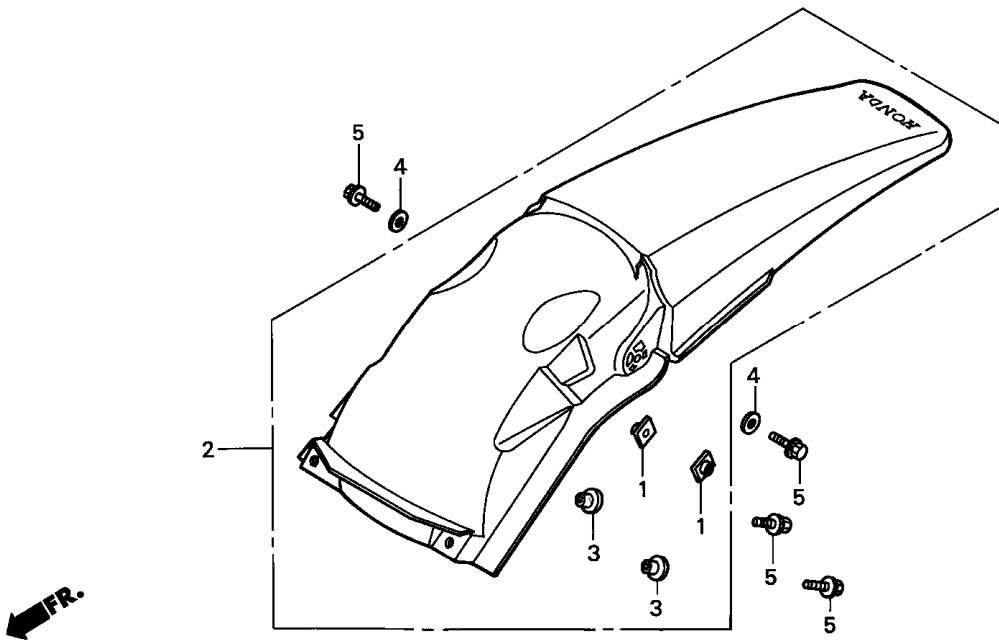
Block F-19 REAR CUSHION



| Refnr | Part Number | Part Description | Unit Qty | Repair Qty | Price SEK (excl. VAT) |
|-------|---------------|--|----------|------------|-----------------------|
| 1 | 52400-KSK-671 | CUSHION ASSY., RR. (SHOWA) | 001 | 0,00 | 6 020,58 |
| 2 | 52401-KZ3-J51 | SPRING, RR. CUSHION (SHOWA) (50N/MM,5.1KGF/MM) | 001 | 0,00 | 1 345,63 |
| 2 | 52402-KZ3-J51 | SPRING, RR. CUSHION (SHOWA) (48.1N/MM,4.9KGF/MM) | (1) | 0,00 | 1 345,63 |
| 2 | 52402-MEB-751 | SPRING, RR. CUSHION (SHOWA) (52N/MM,5.3KGF/MM) | (1) | 0,00 | 1 377,79 |
| 2 | 52401-MEB-751 | SPRING, RR. CUSHION (SHOWA) (54N/MM,5.5KGF/MM) | (1) | 0,00 | 1 377,79 |
| 3 | 52410-KSK-671 | DAMPER COMP., RR. | 001 | 0,00 | 7 092,30 |
| 4 | 52421-KSK-671 | ROD COMP., PISTON (SHOWA) | 001 | 0,00 | 1 913,19 |
| 5 | 52422-KZ3-J31 | ADJUSTER, SPRING | 001 | 0,00 | 152,66 |
| 6 | 52423-KZ3-J21 | NUT, ADJUSTER | 001 | 0,00 | 105,68 |
| 7 | 52425-KSK-671 | CASE COMP., DAMPER (SHOWA) | 001 | 0,00 | 3 717,42 |
| 8 | 52425-169-003 | CAP, AIR VALVE | 001 | 0,00 | 22,62 |
| 9 | 52426-MEN-003 | ROD COMP. | 001 | 0,00 | 2 685,59 |
| 10 | 52427-MEB-751 | RUBBER, STOPPER | 001 | 0,00 | 108,96 |
| 11 | 52428-KZ3-J31 | PLATE, END | 001 | 0,00 | 0,00 |
| 12 | 52429-MEN-003 | CASE COMP., ROD GUIDE | 001 | 0,00 | 269,58 |
| 13 | 52431-KZ3-J31 | RING, PISTON | 001 | 0,00 | 128,12 |
| 14 | 52434-KZ3-J21 | O-RING, 3.5X43.7 | 001 | 0,00 | 40,33 |
| 15 | 52434-KZ3-J31 | O-RING, 42.5X2.0 | 002 | 0,00 | 38,23 |
| 16 | 52435-KZ3-J21 | RING, STOPPER | 001 | 0,00 | 18,68 |
| 18 | 52438-KA4-741 | NUT, HEX., 12MM | 001 | 0,00 | 16,18 |
| 19 | 52440-MEN-671 | ADJUSTER, COMPRESSION DAMPING FORCE | 001 | 0,00 | 613,40 |
| 20 | 52451-KZ3-891 | BLADDER | 001 | 0,00 | 136,38 |
| 21 | 52452-KS7-831 | RING, STOPPER | 001 | 0,00 | 17,89 |
| 22 | 52453-KS7-831 | CAP COMP., CHAMBER | 001 | 0,00 | 302,12 |
| 23 | 52455-KZ3-J21 | RING, STOPPER | 001 | 0,00 | 44,66 |
| 24 | 52463-KZ4-B00 | COLLAR D, CUSHION | 001 | 0,00 | 16,45 |
| 25 | 52463-KZ4-J40 | COLLAR C, CUSHION ARM | 001 | 0,00 | 53,84 |
| 26 | 52464-KZ4-B00 | COLLAR D, CUSHION SIDE | 002 | 0,00 | 17,89 |
| 27 | 52464-KZ4-J20 | COLLAR B, CUSHION | 001 | 0,00 | 60,67 |
| 28 | 52465-KSK-000 | ARM SUB ASSY., CUSHION | 001 | 0,00 | 1 877,50 |
| 29 | 52473-KZ4-J20 | COLLAR A, CONNECTING ROD | 001 | 0,00 | 127,59 |
| 30 | 52475-KZ4-J20 | COLLAR, LINK SIDE | 006 | 0,00 | 58,83 |
| 31 | 52476-KZ4-J20 | WASHER, THRUST | 002 | 0,00 | 44,00 |
| 32 | 52479-KSK-000 | ROD SUB ASSY., CUSHION CONNECTING | 001 | 0,00 | 1 330,28 |
| 33 | 52486-KZ3-J21 | SEAT, SPRING | 001 | 0,00 | 131,92 |
| 34 | 52487-KA4-831 | RING, STOPPER | 001 | 0,00 | 19,99 |
| 35 | 87516-KZ1-600 | LABEL, RR. DAMPER WARNING | 001 | 0,00 | 40,33 |
| 35 | 87516-KZ1-881 | LABEL, RR. DAMPER WARNING (FRENCH) | 001 | 0,00 | 32,72 |
| 36 | 90130-KZ4-J20 | BOLT, LINK, 12X96 | 001 | 0,00 | 95,27 |
| 37 | 90130-KZ4-J40 | BOLT, LINK, 12X81.5 | 001 | 0,00 | 87,77 |
| 38 | 90131-KZ4-J40 | BOLT, LINK, 12X120 | 001 | 0,00 | 117,39 |
| 39 | 90153-KZ4-710 | BOLT, CUSHION LOWER, 10X43.5 | 001 | 0,00 | 35,84 |
| 40 | 90306-KBP-901 | NUT, U, 12MM | 003 | 0,00 | 35,21 |
| 41 | 90306-KZ4-711 | NUT, U, 10MM | 002 | 0,00 | 19,59 |
| 42 | 90501-KZ4-J40 | WASHER, PLAIN, 12MM | 003 | 0,00 | 25,76 |
| 43 | 91053-KZ4-J21 | BEARING, NEEDLE, 20X26X14 | 006 | 0,00 | 105,81 |
| 44 | 91074-KZ4-B01 | BEARING, NEEDLE, 19X26X15 | 001 | 0,00 | 188,49 |
| 45 | 91074-MAC-741 | BEARING, SPHERICAL, 10 | 001 | 0,00 | 169,72 |
| 46 | 91256-KZ3-731 | O-RING, 21.5X1.5 | 001 | 0,00 | 15,53 |
| 47 | 91257-KZ3-891 | O-RING, 26.2X1.9 | 001 | 0,00 | 21,03 |

| | | | | | |
|----|---------------|------------------------------|-----|------|--------|
| 48 | 91262-KZ3-731 | DUST SEAL, 25X32X4 | 006 | 0,00 | 80,09 |
| 49 | 91351-KZ3-731 | DUST SEAL, RR. CUSHION PIVOT | 001 | 0,00 | 29,43 |
| 50 | 91351-KZ4-B01 | DUST SEAL, 17X26X3 | 002 | 0,00 | 28,26 |
| 51 | 91351-MAC-671 | DUST SEAL, 16X26X3 | 001 | 0,00 | 30,22 |
| 52 | 90152-MEB-750 | BOLT, CUSHION UPPER, 10X53 | 001 | 0,00 | 35,47 |
| 53 | 52419-KZ3-J21 | STOPPER, SPRING SEAT | 001 | 0,00 | 98,98 |
| 54 | 52436-MEN-671 | OIL SEAL SET | 001 | 0,00 | 189,53 |

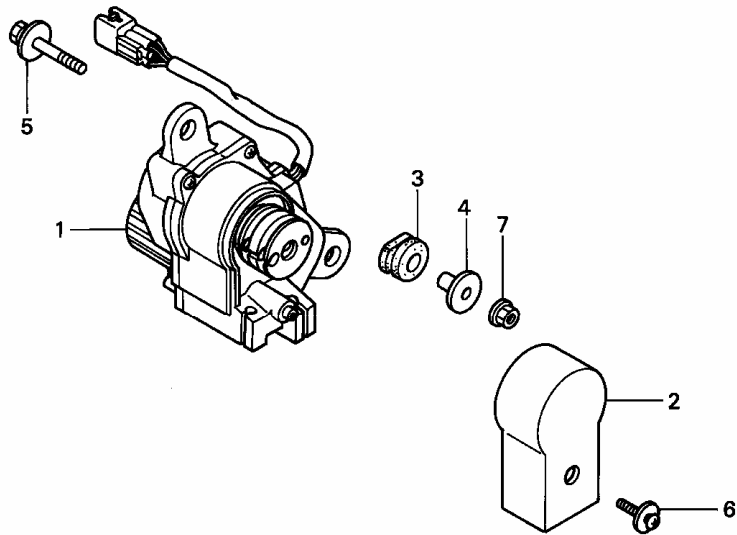
Block F-20 REAR FENDER



KZ3A-F2000

| Refnr | Part Number | Part Description | Unit Qty | Repair Qty | Price SEK (excl. VAT) |
|-------|---------------|------------------------------|----------|------------|--------------------------|
| 1 | 61304-958-003 | NUT, SPECIAL, 6X7 | 002 | 0,00 | 25,76 |
| 2 | 80101-KSK-020 | FENDER SET, RR. (WL) *TYPE1* | 001 | 0,00 | 446,21 |
| 3 | 90502-KZ4-J22 | COLLAR B | 002 | 0,00 | 32,85 |
| 4 | 94101-06800- | WASHER, PLAIN, 6MM | 002 | 0,00 | 1,96 |
| 5 | 96001-0601600 | BOLT, FLANGE, 6X16 | 004 | 0,00 | 6,09 |

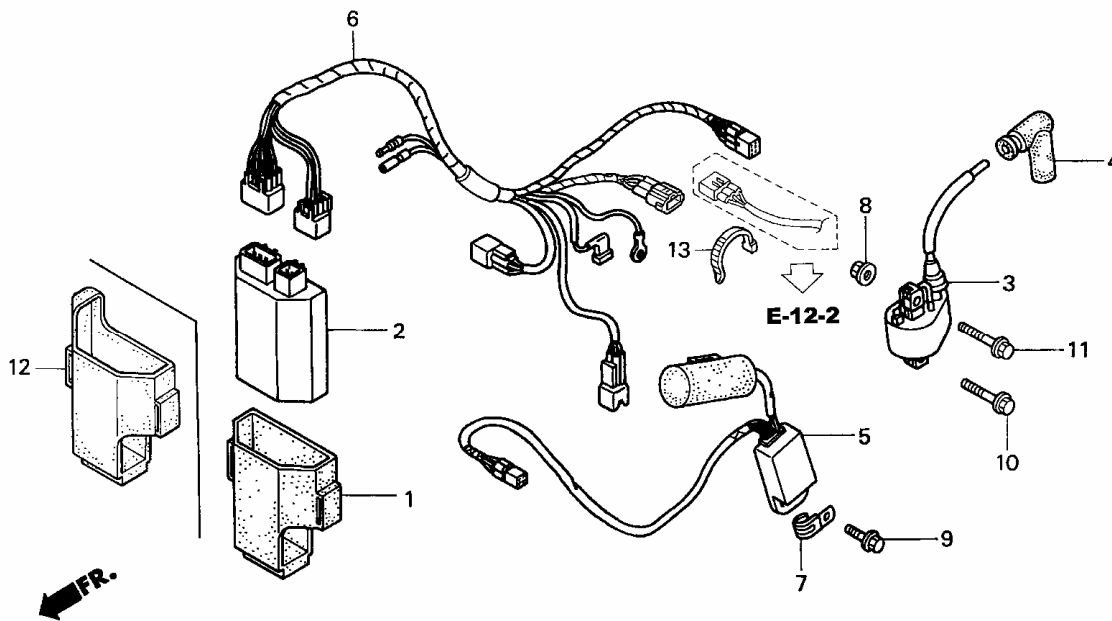
Block F-21 SERVO MOTOR



KZ3A-F2100

| Refnr | Part Number | Part Description | Unit Qty | Repair Qty | Price SEK (excl. VAT) |
|-------|---------------|--------------------|----------|------------|--------------------------|
| 1 | 31420-KSK-671 | MOTOR ASSY., SERVO | 001 | 0,00 | 2 001,51 |
| 2 | 31430-KZ3-J40 | COVER, SERVO MOTOR | 001 | 0,00 | 44,66 |
| 3 | 43516-MR5-000 | RUBBER, MOUNTING | 002 | 0,00 | 26,29 |
| 4 | 90505-KZ3-J40 | COLLAR, 6.3X12.5 | 002 | 0,00 | 21,03 |
| 5 | 93404-0602800 | BOLT-WASHER, 6X28 | 002 | 0,00 | 8,30 |
| 6 | 93894-0401200 | SCREW-WASHER, 4X12 | 001 | 0,00 | 4,02 |
| 7 | 94050-06000- | NUT, FLANGE, 6MM | 002 | 0,00 | 6,82 |

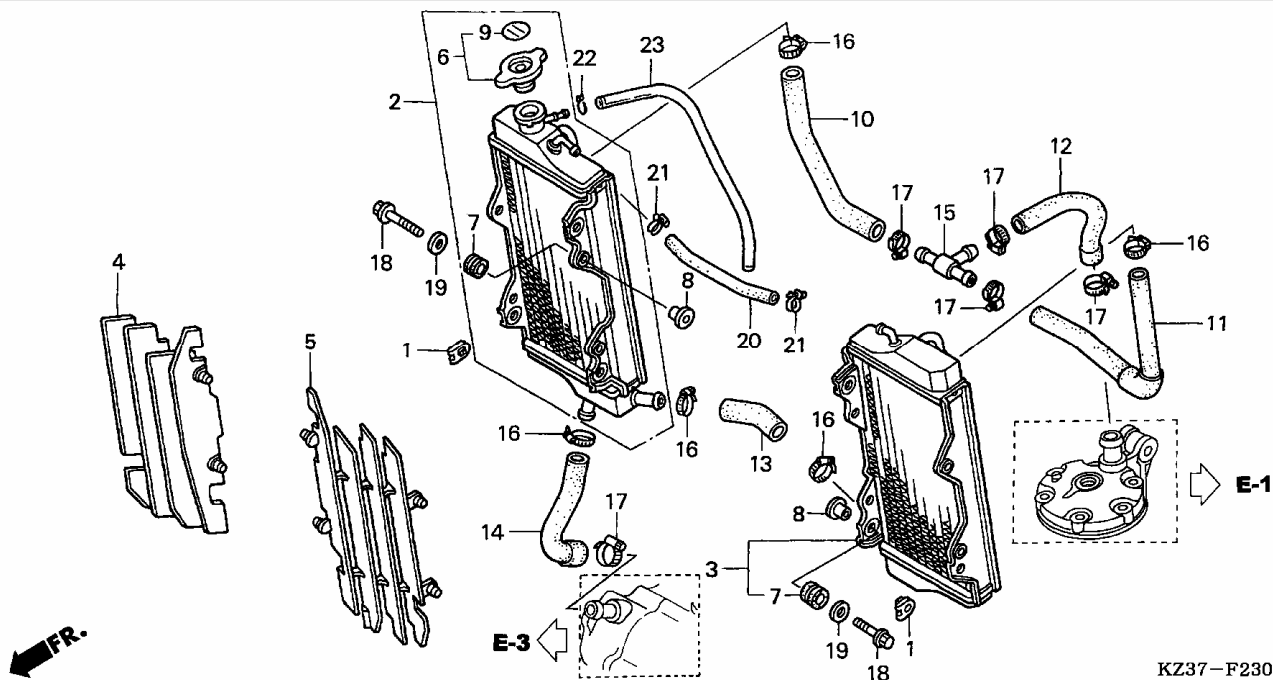
Block F-22 WIRE HARNESS



KZ37-F2200A

| Refnr | Part Number | Part Description | Unit Qty | Repair Qty | Price SEK (excl. VAT) |
|-------|---------------|-----------------------------|----------|------------|-----------------------|
| 2 | 30410-KSK-671 | IGNITION CONTROL MODULE | 001 | 0,00 | 3 735,79 |
| 3 | 30500-KZ4-J31 | COIL COMP., IGNITION | 001 | 0,00 | 621,66 |
| 4 | 30700-KA5-771 | CAP ASSY., NOISE SUPPRESSOR | 001 | 0,00 | 169,72 |
| 5 | 31600-KZ3-J41 | RECTIFIER COMP., REGULATE | 001 | 0,00 | 2 180,36 |
| 6 | 32100-KSK-671 | HARNESS, WIRE | 001 | 0,00 | 799,47 |
| 7 | 32925-958-000 | CLIP, PULSER CORD | 001 | 0,00 | 13,43 |
| 8 | 94050-06000- | NUT, FLANGE, 6MM | 001 | 0,00 | 6,82 |
| 9 | 96001-0601200 | BOLT, FLANGE, 6X12 | 001 | 0,00 | 8,30 |
| 10 | 96001-0602000 | BOLT, FLANGE, 6X20 | 001 | 0,00 | 8,30 |
| 11 | 96001-0602500 | BOLT, FLANGE, 6X25 | 001 | 0,00 | 7,56 |
| 12 | 30401-KSK-671 | CUSHION, RUBBER | 001 | 0,00 | 129,30 |
| 13 | 90652-KT1-771 | BAND, WIRE (BLACK) | 001 | 0,00 | 14,08 |

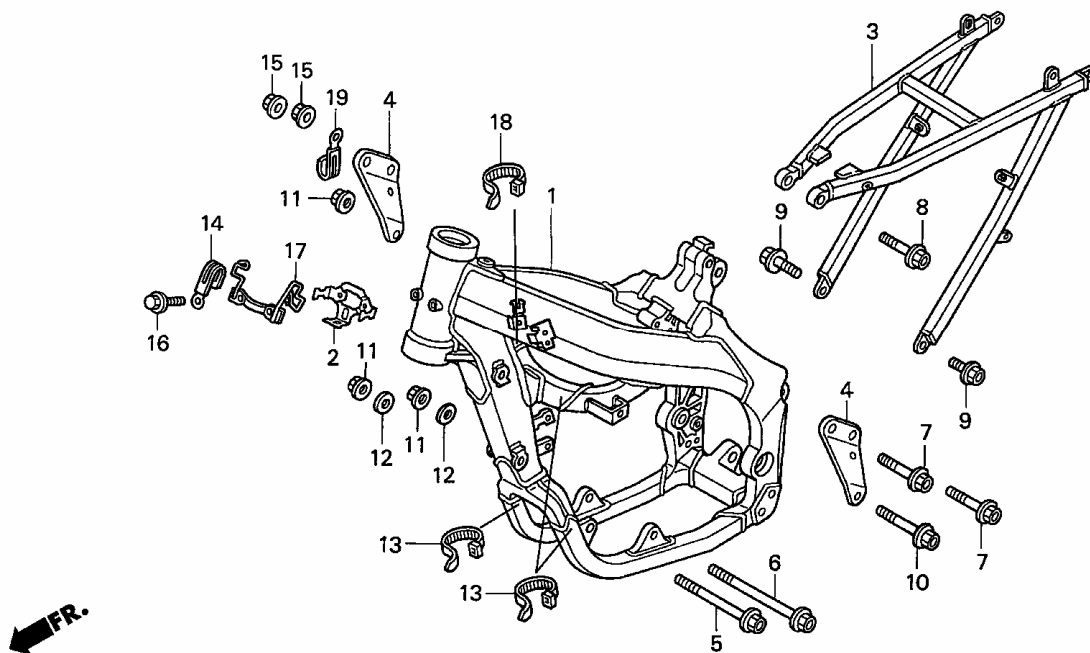
Block F-23 RADIATOR



KZ37-F2300

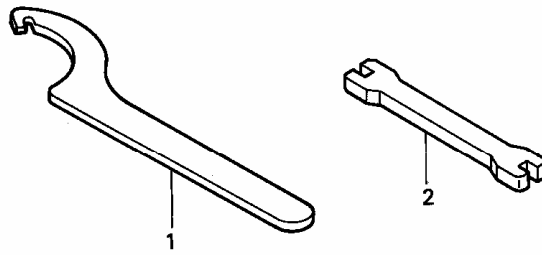
| Refnr | Part Number | Part Description | Unit Qty | Repair Qty | Price SEK (excl. VAT) |
|-------|---------------|--|----------|------------|--------------------------|
| 1 | 18354-KS6-000 | NUT, CHAMBER SPRING | 002 | 0,00 | 23,00 |
| 2 | 19010-KSK-013 | RADIATOR, R. | 001 | 0,00 | 2 609,34 |
| 3 | 19015-KSK-013 | RADIATOR, L. | 001 | 0,00 | 2 331,15 |
| 4 | 19033-KZ4-J20 | GRILLE, R. RADIATOR | 001 | 0,00 | 297,40 |
| 5 | 19034-KZ4-J20 | GRILLE, L. RADIATOR | 001 | 0,00 | 297,27 |
| 6 | 19037-GEE-710 | CAP COMP., RADIATOR | 001 | 0,00 | 238,48 |
| 7 | 19051-KA3-830 | RUBBER, RADIATOR MOUNTING | 004 | 0,00 | 29,17 |
| 8 | 19052-MAC-680 | COLLAR, RADIATOR MOUNTING | 004 | 0,00 | 24,06 |
| 9 | 19046-PAA-A00 | LABEL, RADIATOR CAP | 001 | 0,00 | 18,76 |
| 10 | 19061-KZ3-J40 | HOSE A, WATER | 001 | 0,00 | 77,33 |
| 11 | 19062-KZ3-J40 | HOSE B, WATER | 001 | 0,00 | 135,86 |
| 12 | 19063-KSK-000 | HOSE C, WATER | 001 | 0,00 | 48,73 |
| 13 | 19064-KZ3-J40 | HOSE C, WATER | 001 | 0,00 | 50,83 |
| 14 | 19067-KZ3-J40 | HOSE D, WATER | 001 | 0,00 | 48,46 |
| 15 | 19069-KZ3-J50 | JOINT, WATER HOSE | 001 | 0,00 | 137,31 |
| 16 | 19504-KY1-003 | CLAMP, WATER HOSE, 25MM | 005 | 0,00 | 39,15 |
| 17 | 19506-KS6-700 | CLAMP B, WATER HOSE | 005 | 0,00 | 24,45 |
| 18 | 90001-GB4-000 | BOLT, FLANGE, 6X23.5 | 004 | 0,00 | 15,97 |
| 19 | 90403-KA3-830 | WASHER, RADIATOR MOUNTING | 004 | 0,00 | 8,96 |
| 20 | 95001-7519540 | TUBE, FUEL, 7.3X195 (95001-75001-60M) | 001 | 0,00 | 42,63 |
| 21 | 95002-01130- | CLIP, TUBE (A13) | 002 | 0,00 | 9,32 |
| 22 | 95002-02080- | CLIP, TUBE (B8) | 001 | 0,00 | 4,02 |
| 23 | 95003-1406010 | TUBE, VINYL, 6X9X600 (95003-14001-10M) | 001 | 0,00 | 19,34 |

Block F-24 FRAME BODY



KZ37-F2400B

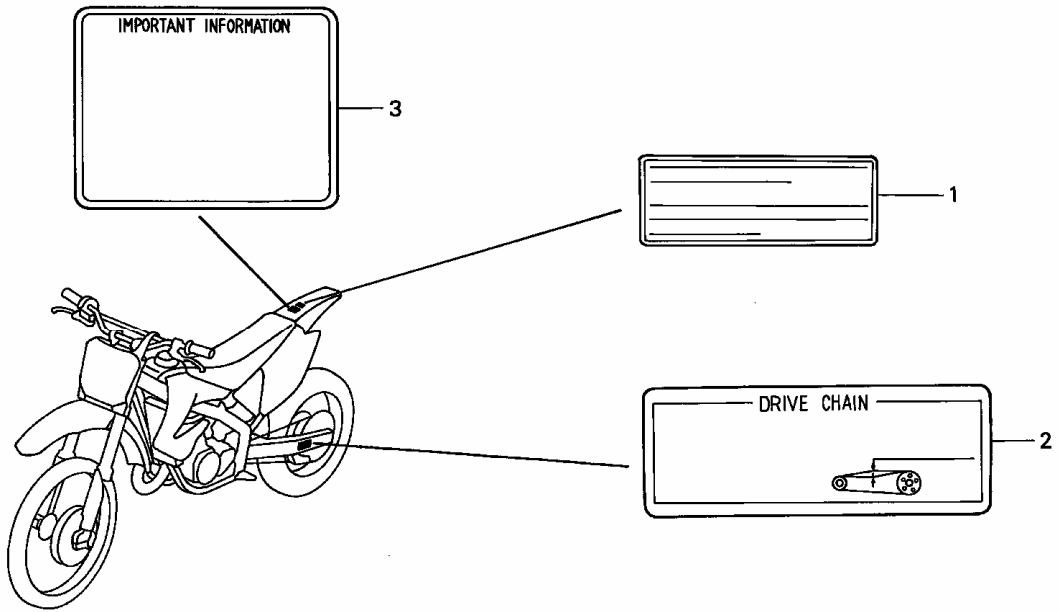
| Refnr | Part Number | Part Description | Unit Qty | Repair Qty | Price SEK (excl. VAT) |
|-------|---------------|------------------------------|----------|------------|--------------------------|
| 1 | 50100-KSK-010 | BODY COMP., FRAME | 001 | 0,00 | 7 988,07 |
| 2 | 50124-KZ3-J40 | BRACKET, ENGINE CONTROL UNIT | 001 | 0,00 | 114,08 |
| 2 | 50124-KZ3-J41 | BRACKET, ENGINE CONTROL UNIT | 001 | 0,00 | 133,50 |
| 3 | 50200-KZ3-J50 | BODY COMP., RR. FRAME | 001 | 0,00 | 3 137,00 |
| 4 | 50407-KZ3-J50 | BRACKET, HEAD HANGER | 002 | 0,00 | 110,54 |
| 5 | 90101-KZ3-J20 | BOLT, FLANGE, 10X117 | 001 | 0,00 | 42,78 |
| 6 | 90102-KZ3-J20 | BOLT, FLANGE, 10X138 | 001 | 0,00 | 43,53 |
| 7 | 90111-KT0-670 | BOLT, FLANGE, 8X50 | 002 | 0,00 | 26,66 |
| 8 | 90120-KZ4-J40 | BOLT, FLANGE, 8X70 | 001 | 0,00 | 75,21 |
| 9 | 90101-KZ3-J50 | BOLT, FLANGE, 8X24 | 002 | 0,00 | 27,59 |
| 10 | 90131-ML3-910 | BOLT, FLANGE, 10X53 | 001 | 0,00 | 49,53 |
| 11 | 90302-KZ3-J40 | NUT, FLANGE, 10MM | 003 | 0,00 | 21,17 |
| 12 | 90410-HC4-000 | WASHER, 10MM | 002 | 0,00 | 7,26 |
| 13 | 90651-KV6-003 | BAND, WIRE | 003 | 0,00 | 28,52 |
| 15 | 94050-08000- | NUT, FLANGE, 8MM | 002 | 0,00 | 6,82 |
| 16 | 92201-060120A | BOLT, HEX., 6X12 | 002 | 0,00 | 6,09 |
| 17 | 50128-KSK-000 | GUIDE, CABLE | 001 | 0,00 | 87,44 |
| 18 | 90651-KV6-003 | BAND, WIRE | 001 | 0,00 | 28,52 |
| 19 | 91405-689-000 | CLIP, WIRE HARNESS | 001 | 0,00 | 46,24 |



KZ3A-F2500

| Refnr | Part Number | Part Description | Unit Qty | Repair Qty | Price SEK (excl. VAT) |
|-------|---------------|------------------|----------|------------|-----------------------|
| 1 | 89201-KS6-810 | SPANNER A, PIN | (2) | 0,00 | 383,22 |
| 2 | 89212-KZ4-J40 | WRENCH, NIPPLE | (1) | 0,00 | 70,38 |

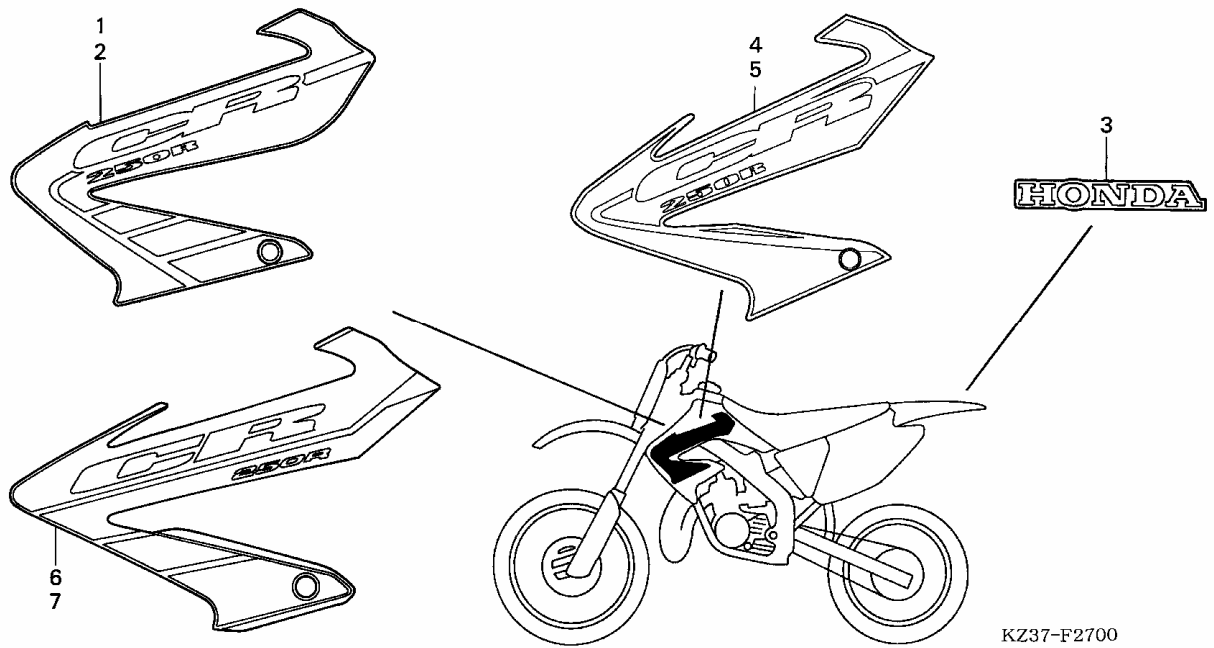
Block F-26 CAUTION LABEL



KZ37-F2600

| Refnr | Part Number | Part Description | Unit Qty | Repair Qty | Price SEK (excl. VAT) |
|-------|---------------|-----------------------------|----------|------------|--------------------------|
| 2 | 87507-KZ3-B10 | LABEL, DRIVE CHAIN | 001 | 0,00 | 40,33 |
| 2 | 87507-KZ3-B90 | LABEL, DRIVE CHAIN (FRENCH) | 001 | 0,00 | 40,33 |
| 3 | 87560-GBF-770 | MARK, CAUTION | 001 | 0,00 | 26,02 |
| 3 | 87560-ML3-970 | MARK, CAUTION (FRENCH) | 001 | 0,00 | 39,28 |

Block F-27 MARK



| Refnr | Part Number | Part Description | Unit Qty | Repair Qty | Price SEK (excl. VAT) |
|-------|---------------|----------------------------------|----------|------------|--------------------------|
| 3 | 87130-MBN-830 | MARK (HONDA) *TYPE1* | 001 | 0,00 | 41,77 |
| 6 | 87126-KSK-000 | MARK, R. RADIATOR SHROUD *TYPE1* | 001 | 0,00 | 489,65 |
| 7 | 87127-KSK-000 | MARK, L. RADIATOR SHROUD *TYPE1* | 001 | 0,00 | 489,65 |